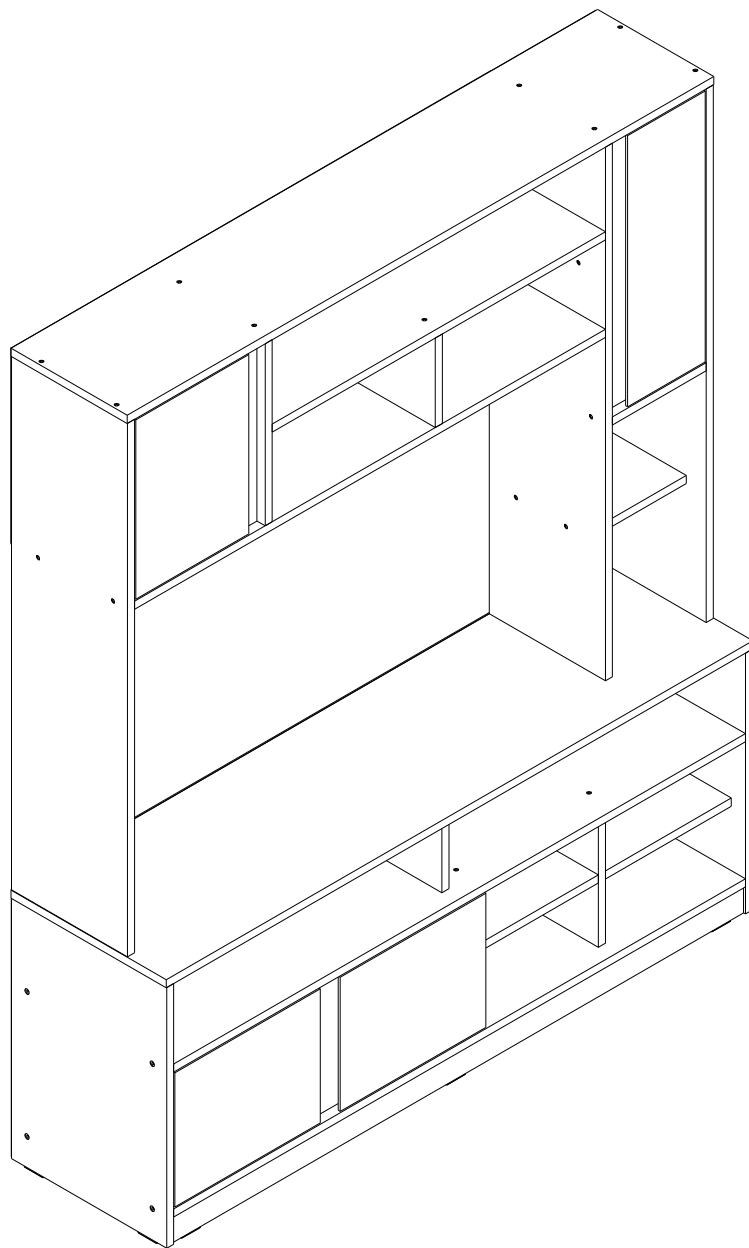
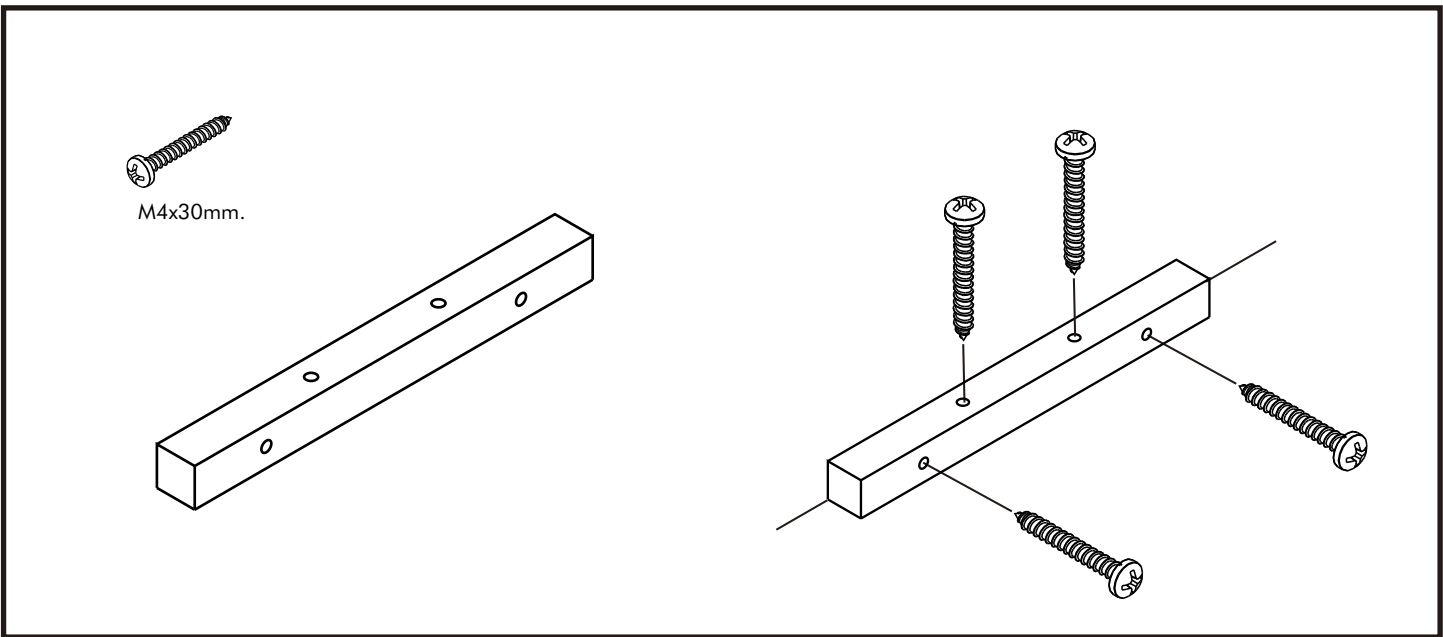
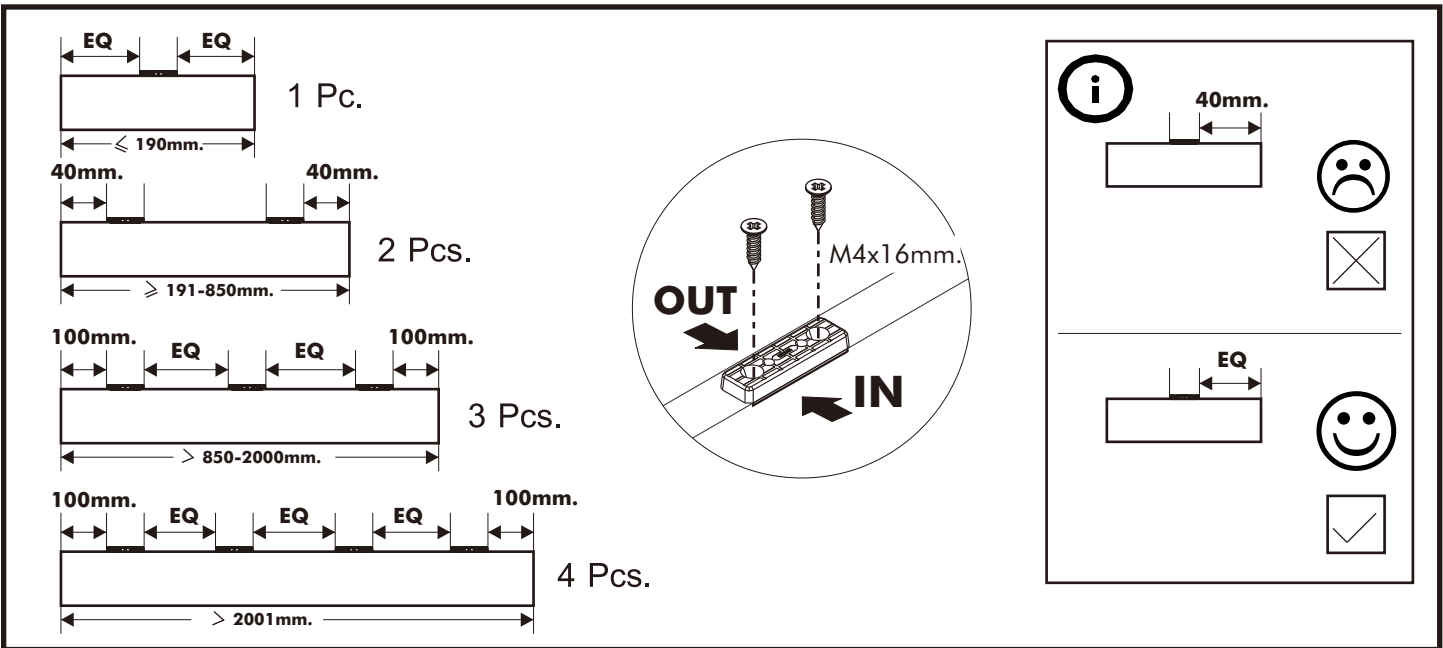
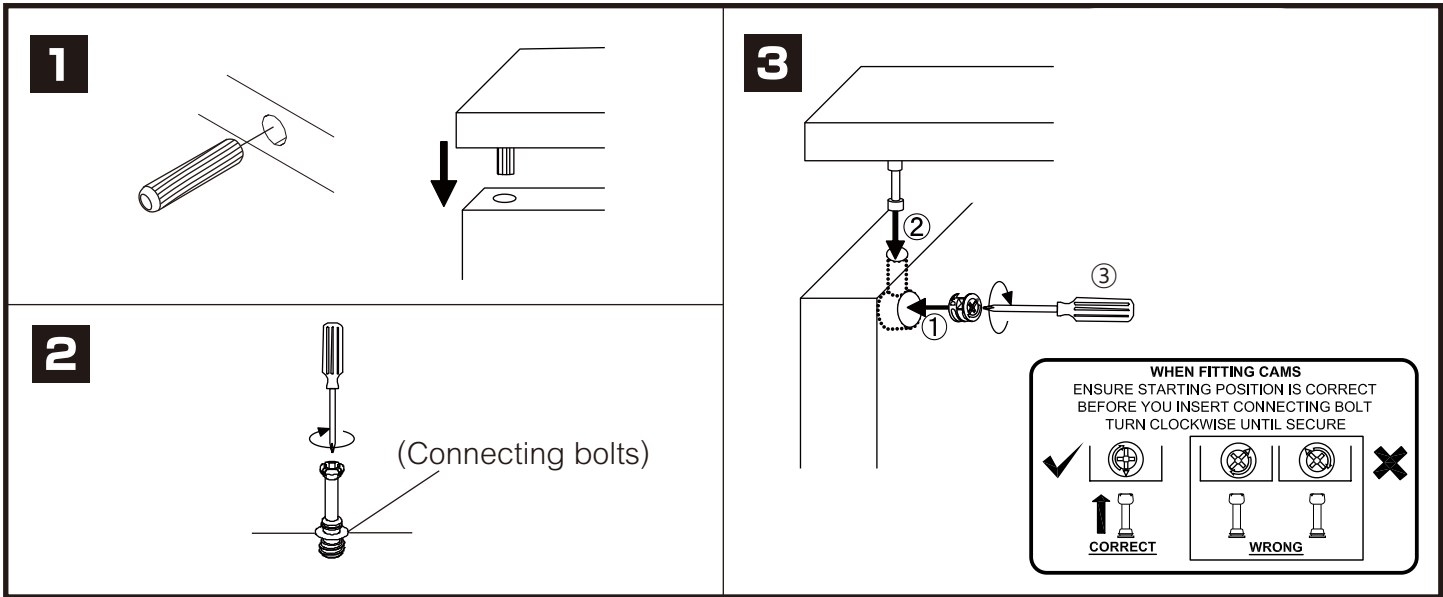


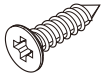
# CO-SPENCER

**TV Cabinet+Hutch 150 cm.**

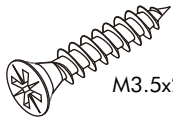
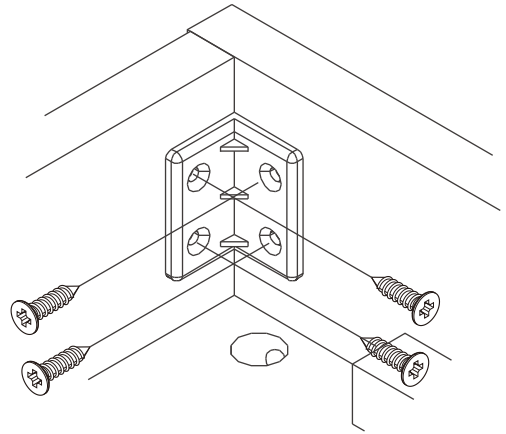
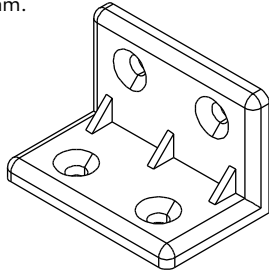


# CONNECT SYSTEM

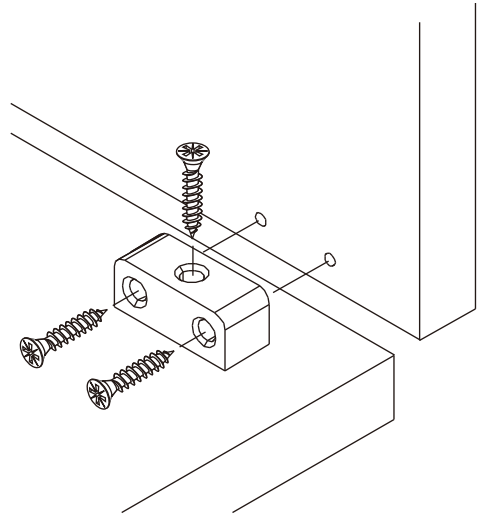
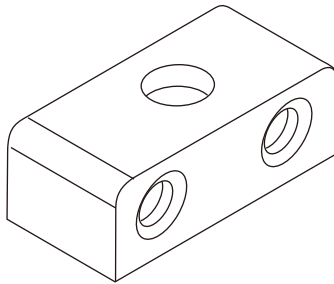




M4x16mm.

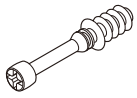


M3.5x25mm.



# HARDWARE

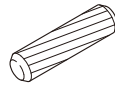
## -BODY SET



**x 6**

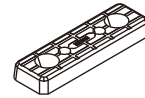


**x 6**

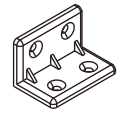


8x35mm.

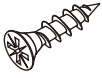
**x 64**



**x 10**



**x 8**

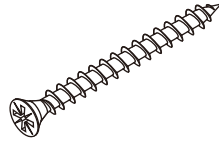


M4x16mm.

**x 52**



**x 2**

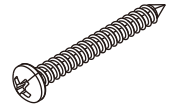


M4x50mm.

**x 62**



**x 6**

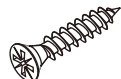


M4x30mm.

**x 20**



**x 48**



M4x20mm.

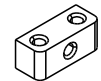
**x 10**



**x 42**



**x 4**



**x 5**



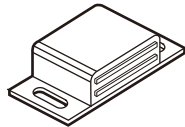
M3.5x25mm.

**x 15**

## -DOOR SET



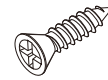
**x 8**



**x 4**



**x 4**



F+5x1/2"

**x 4**



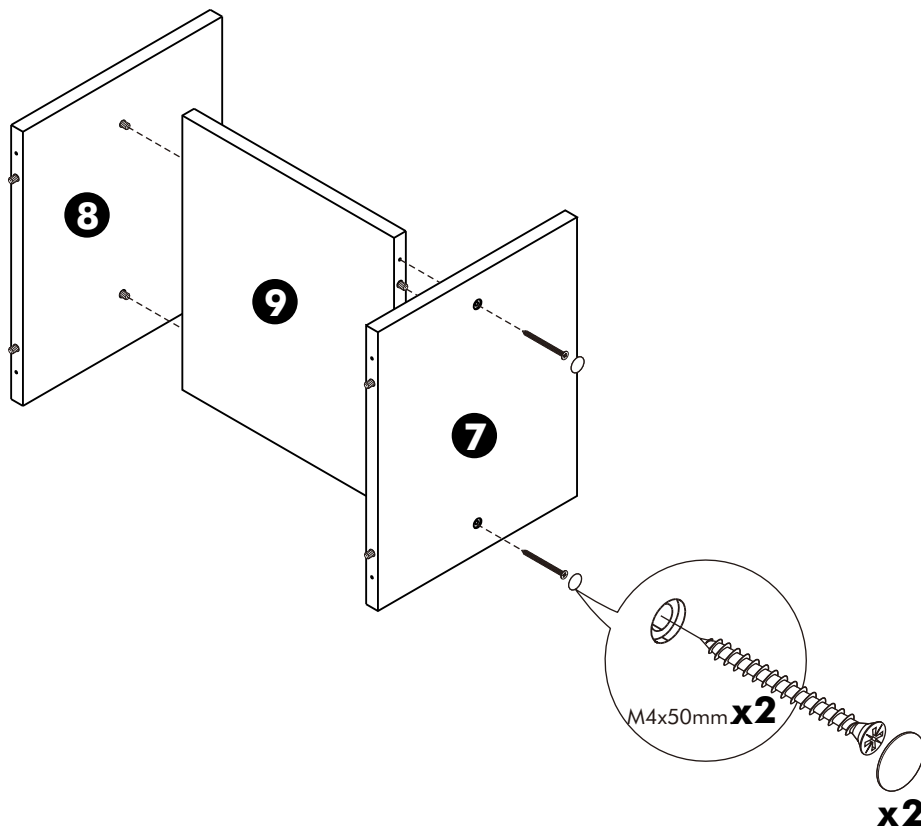
M3.5x13mm.

**x 24**

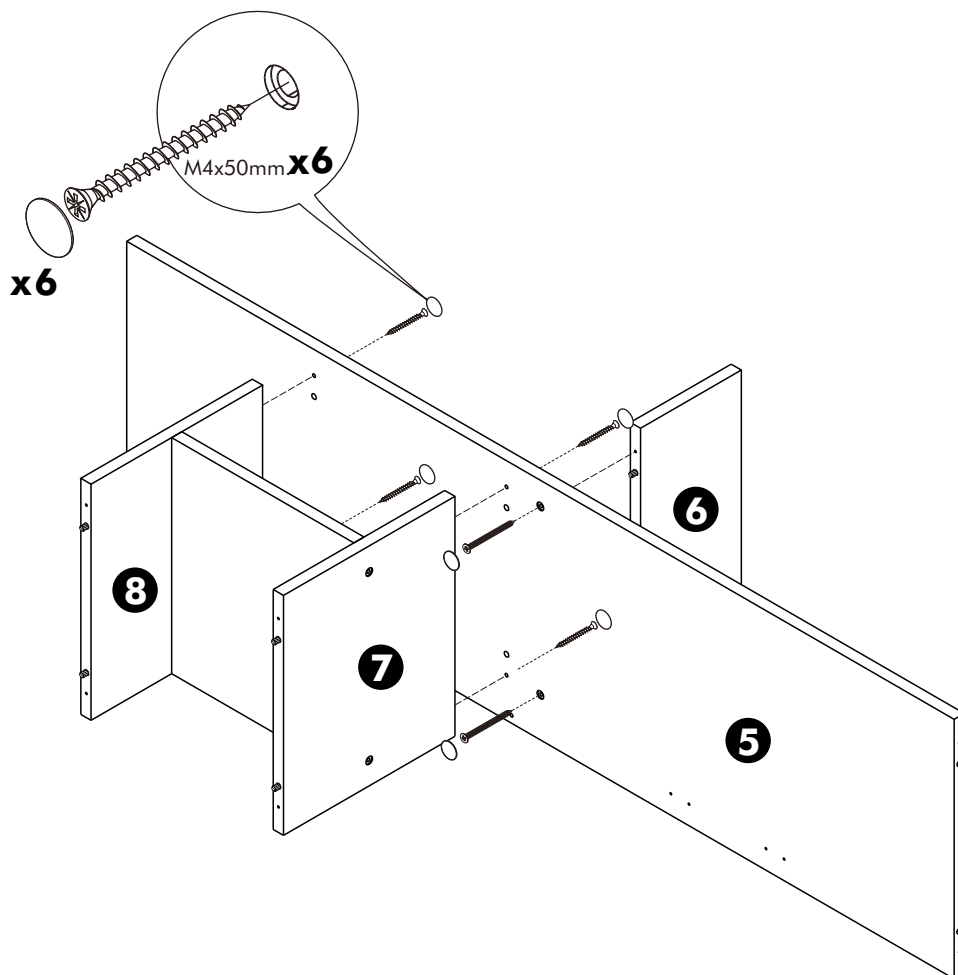
# ASSEMBLY

-BODY SET

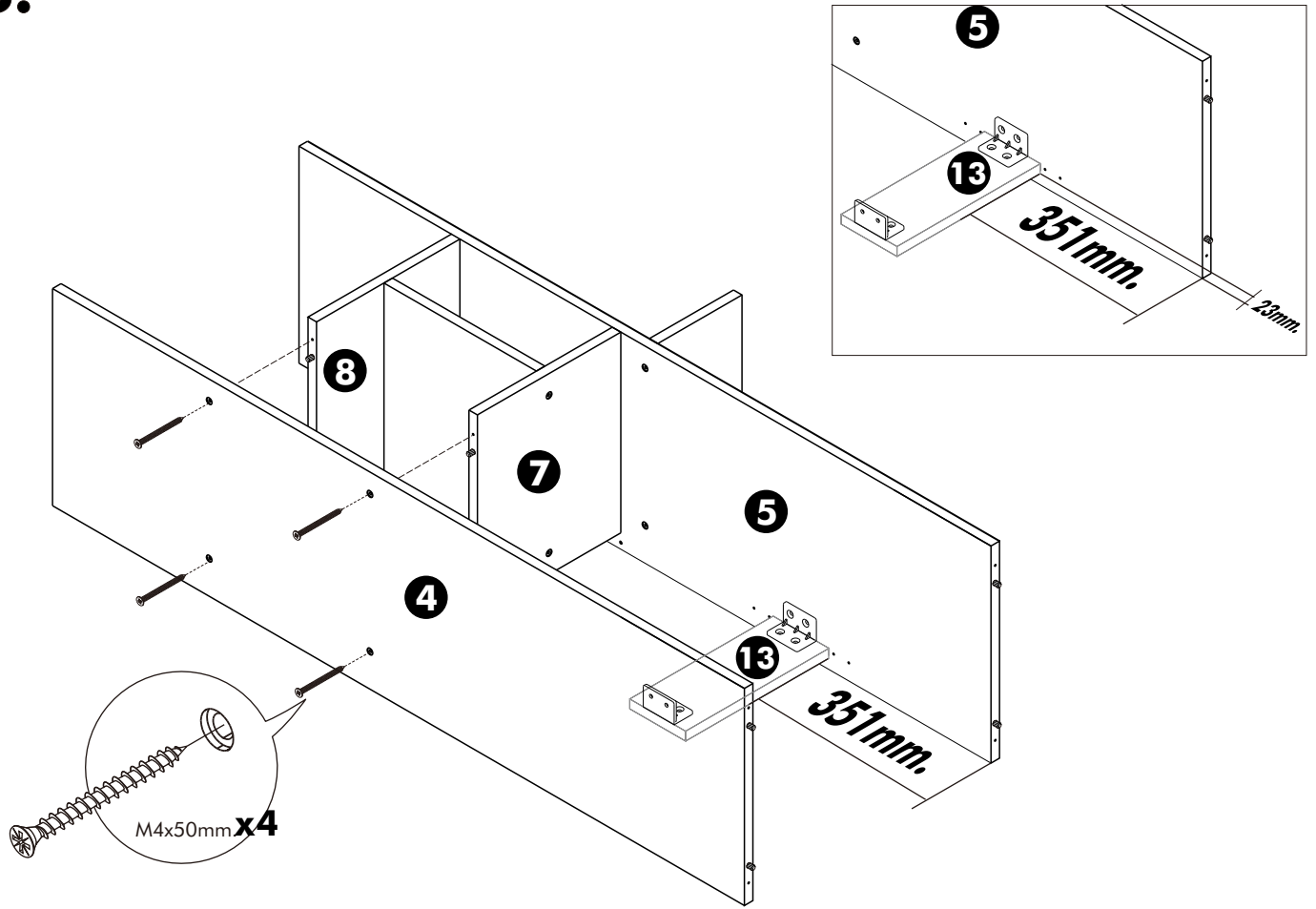
1.



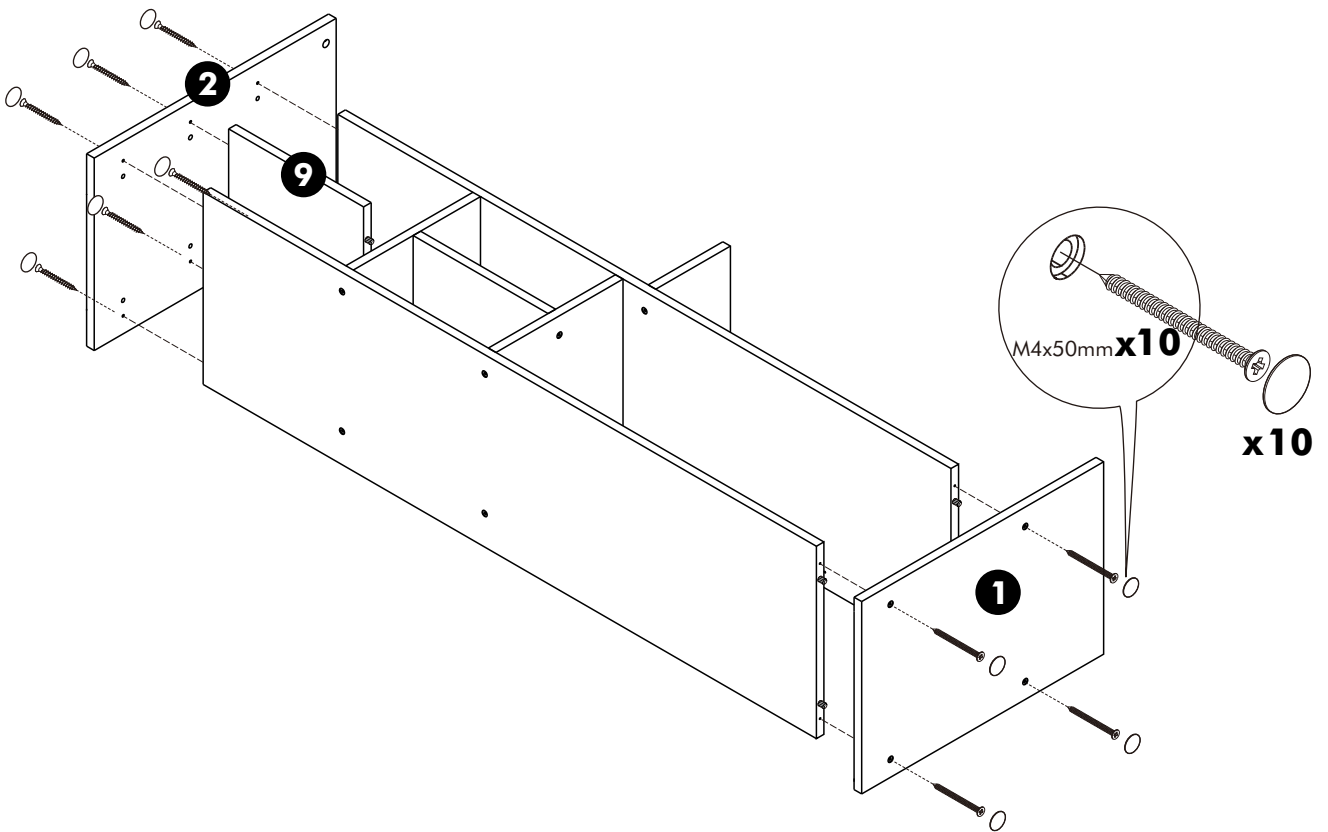
2.



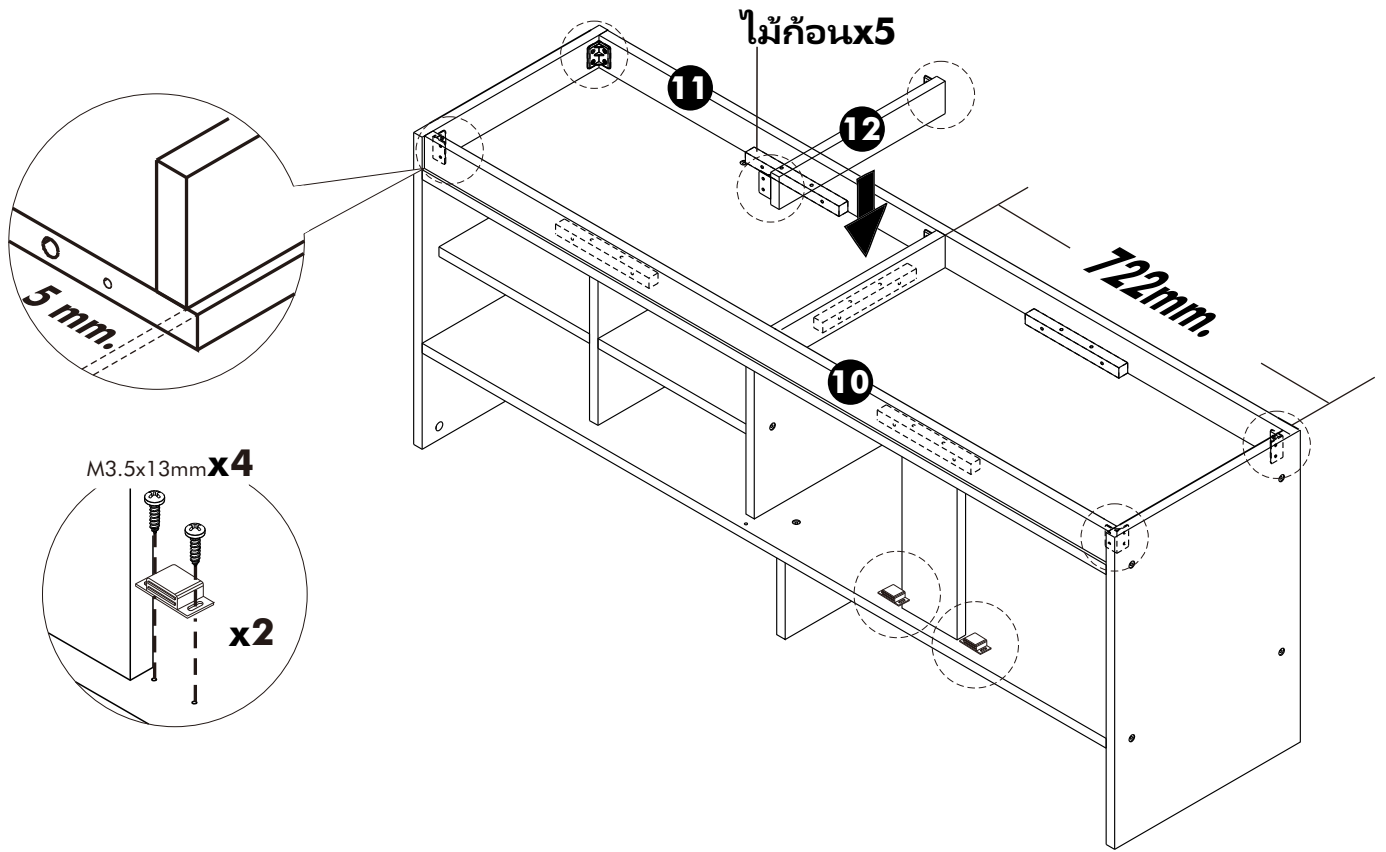
**3.**



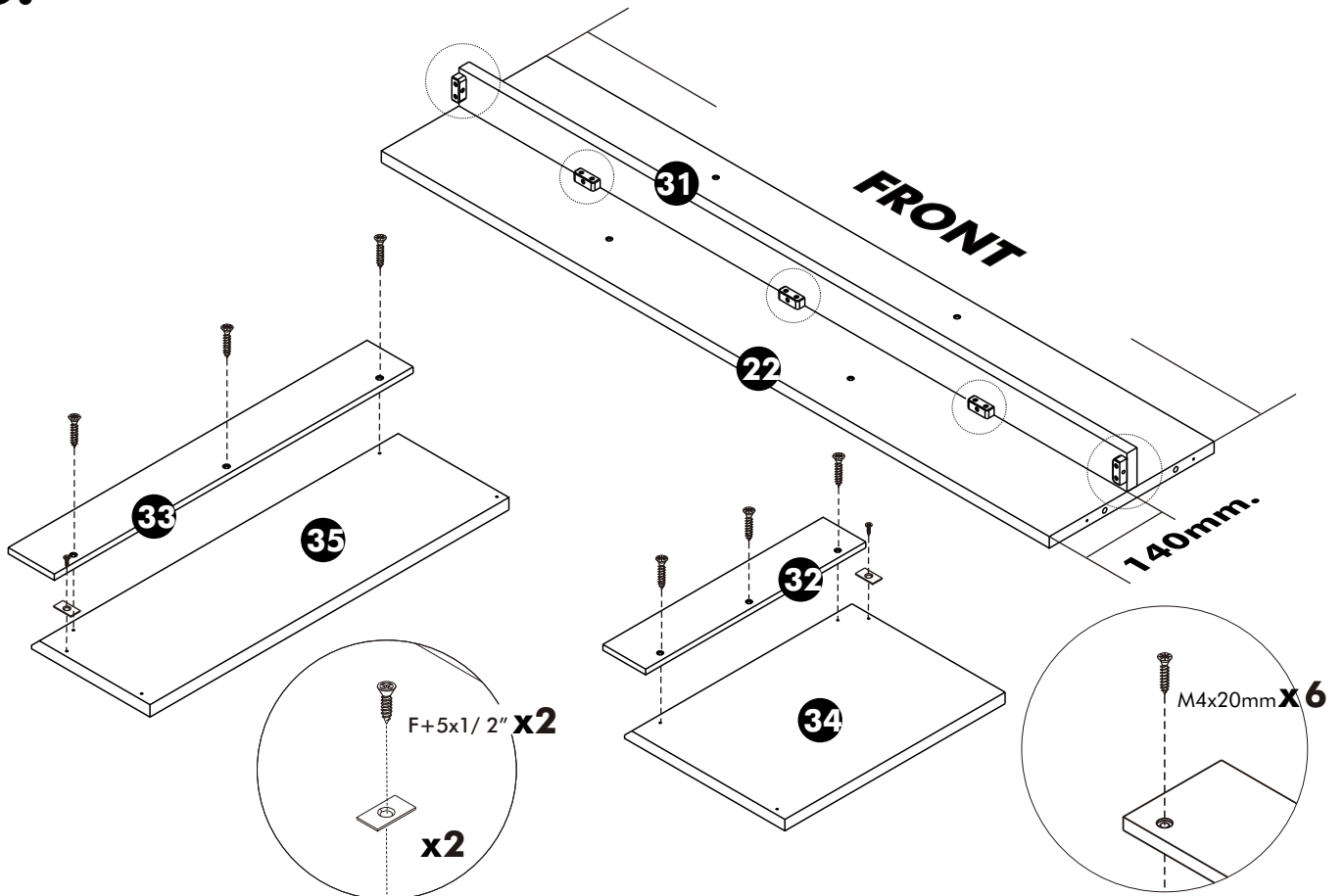
**4.**



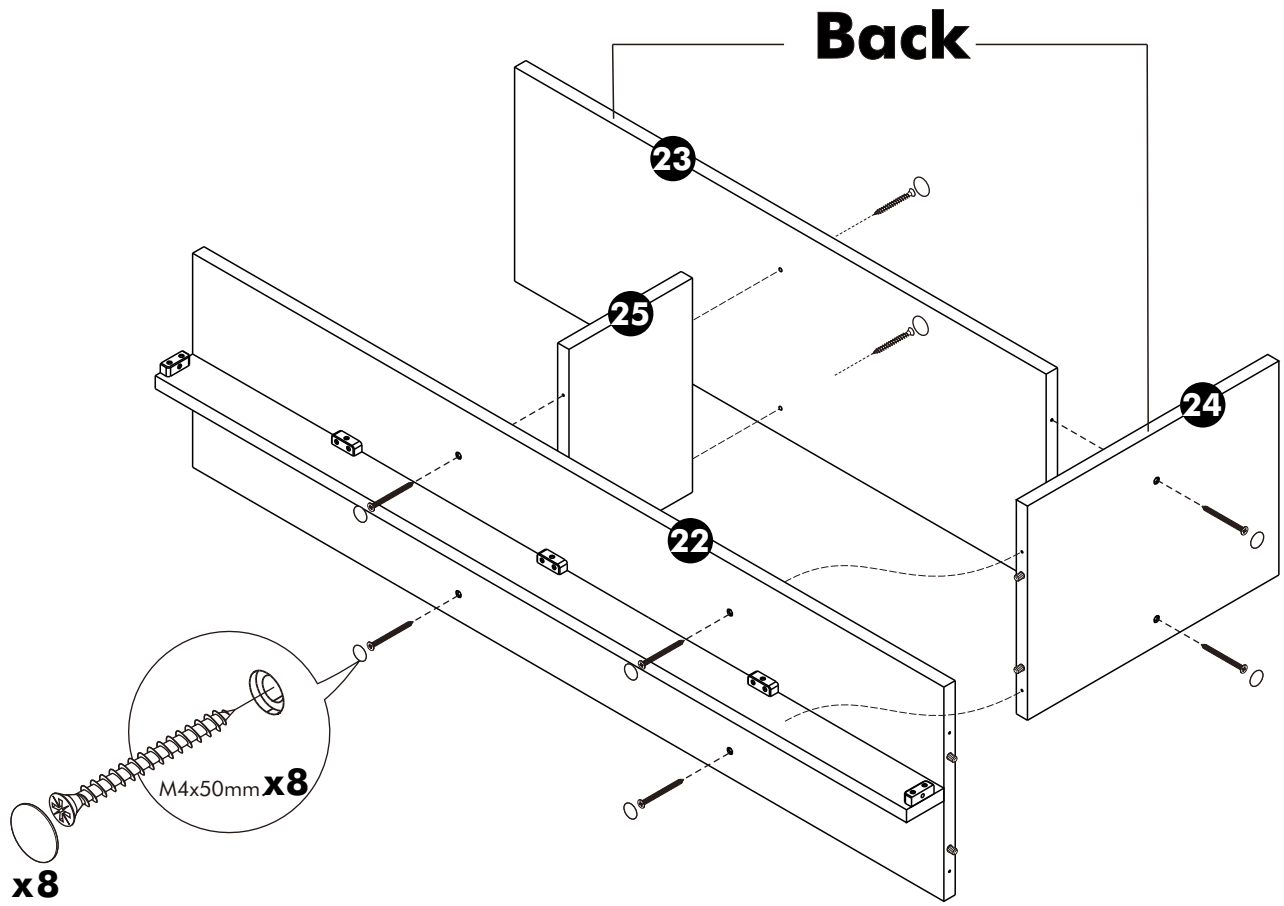
5.



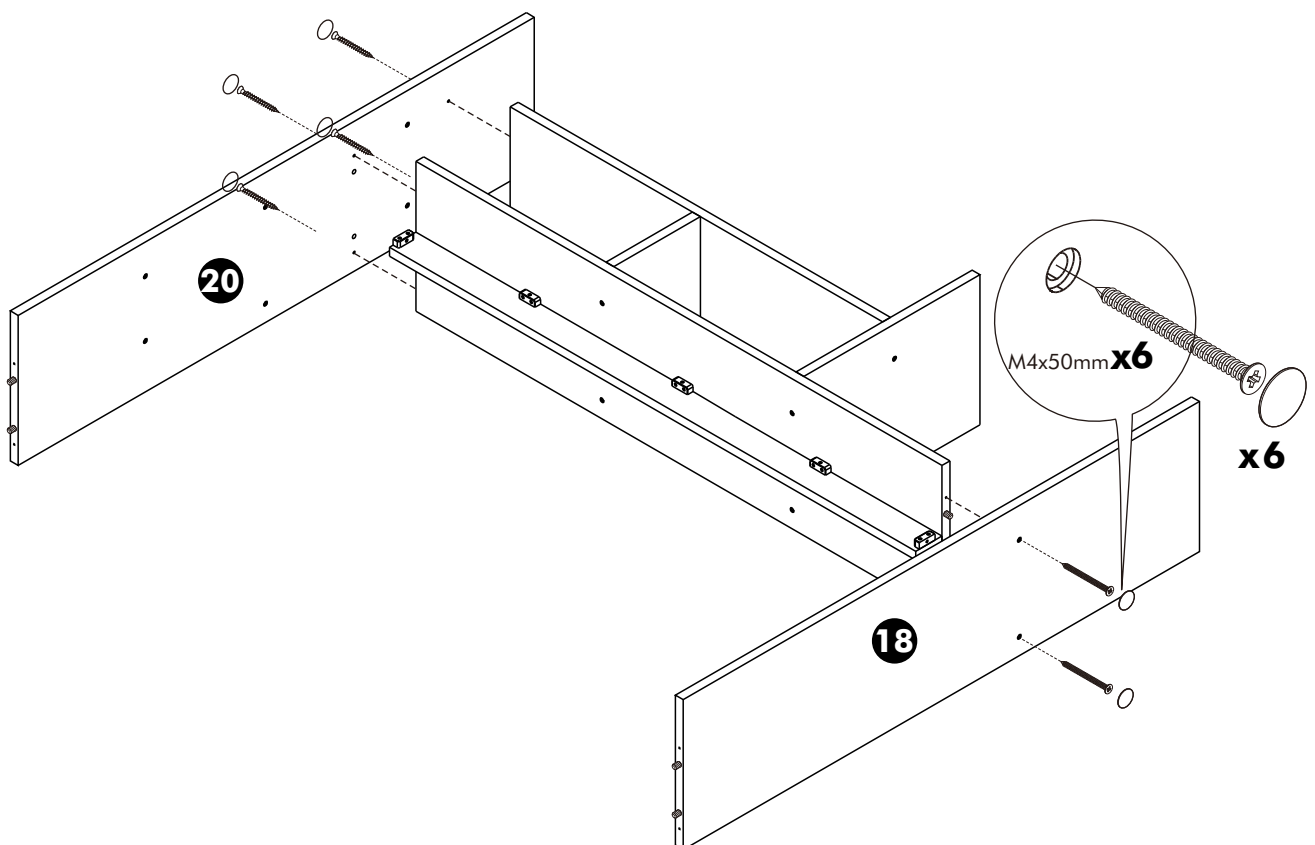
6.



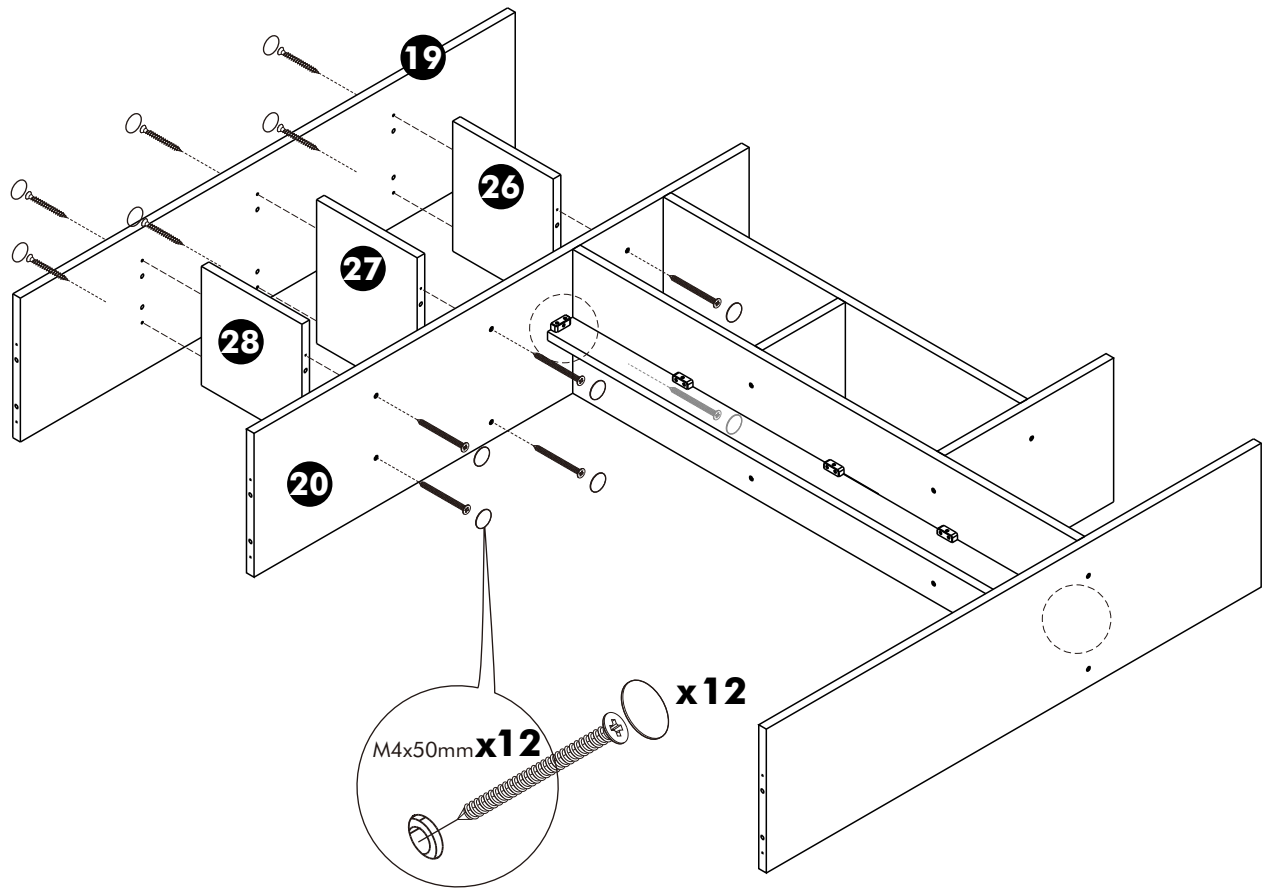
**7.**



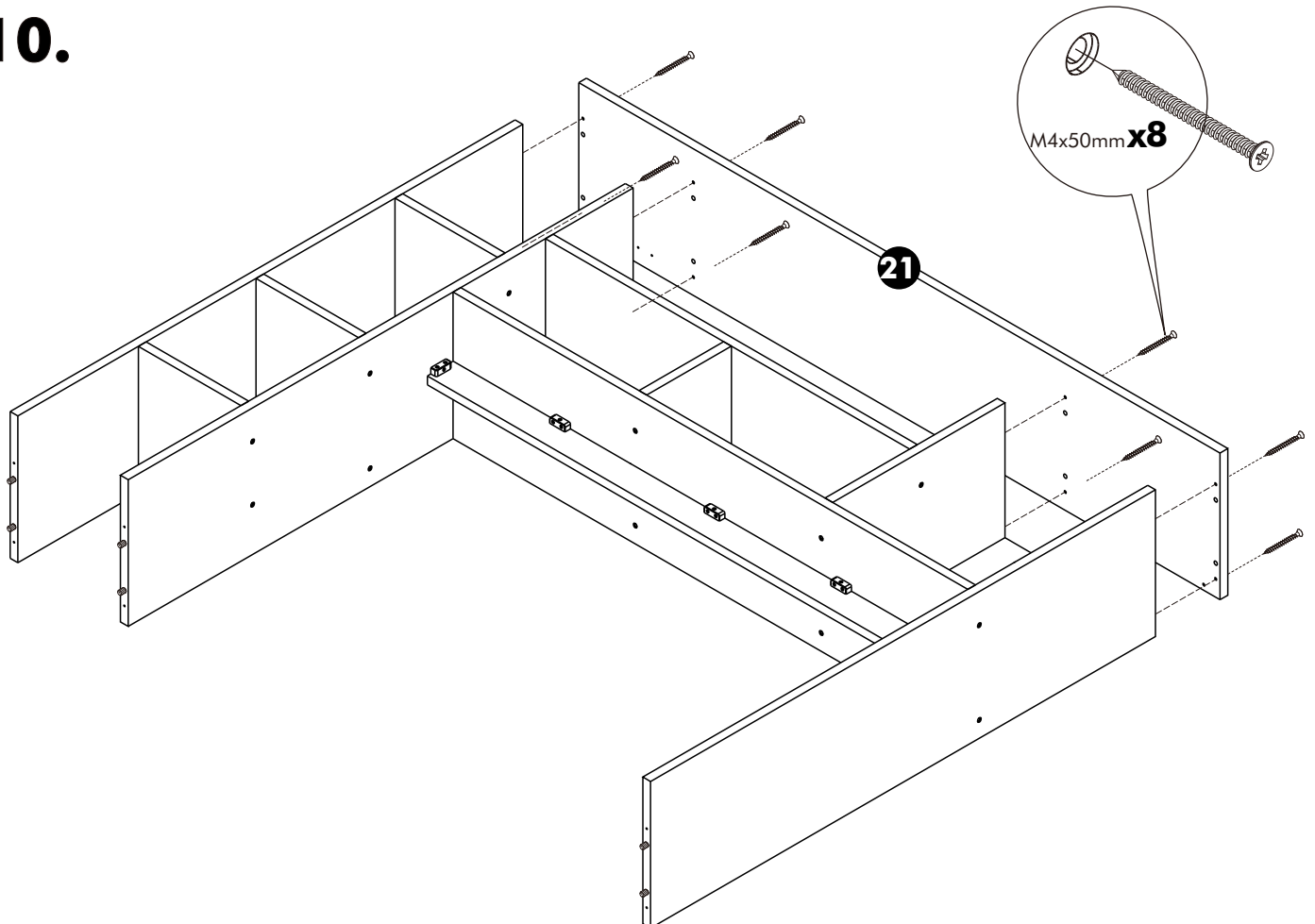
**8.**



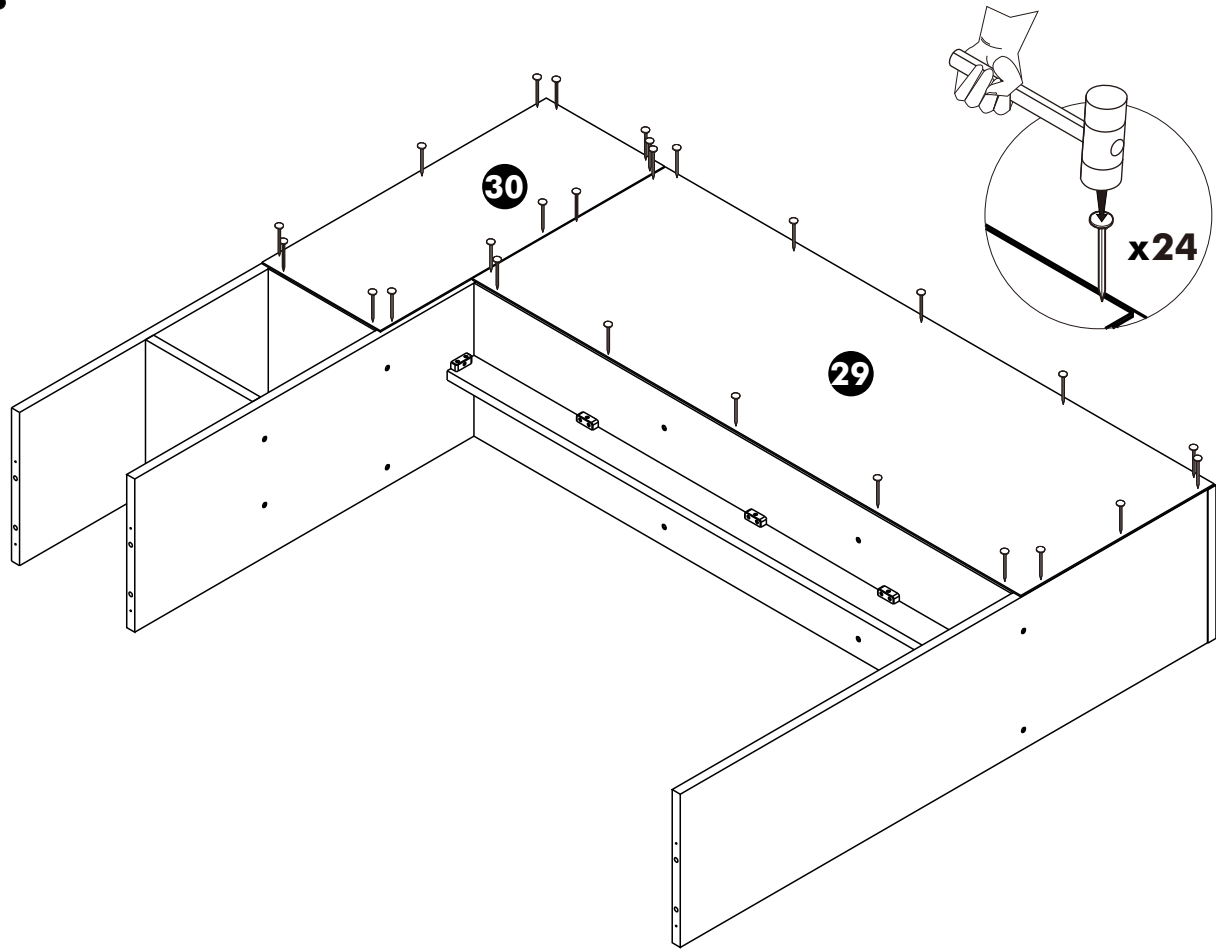
9.



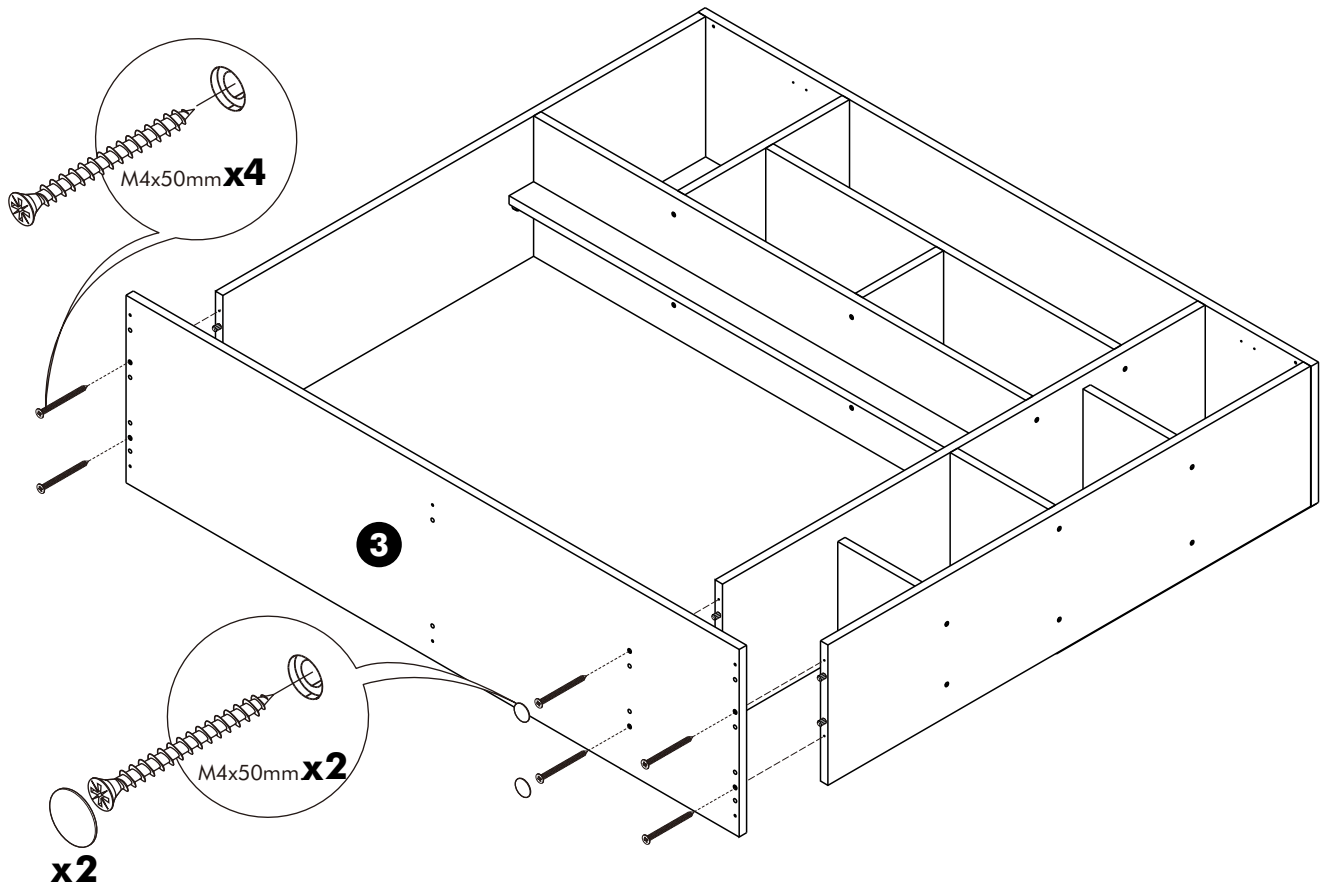
10.



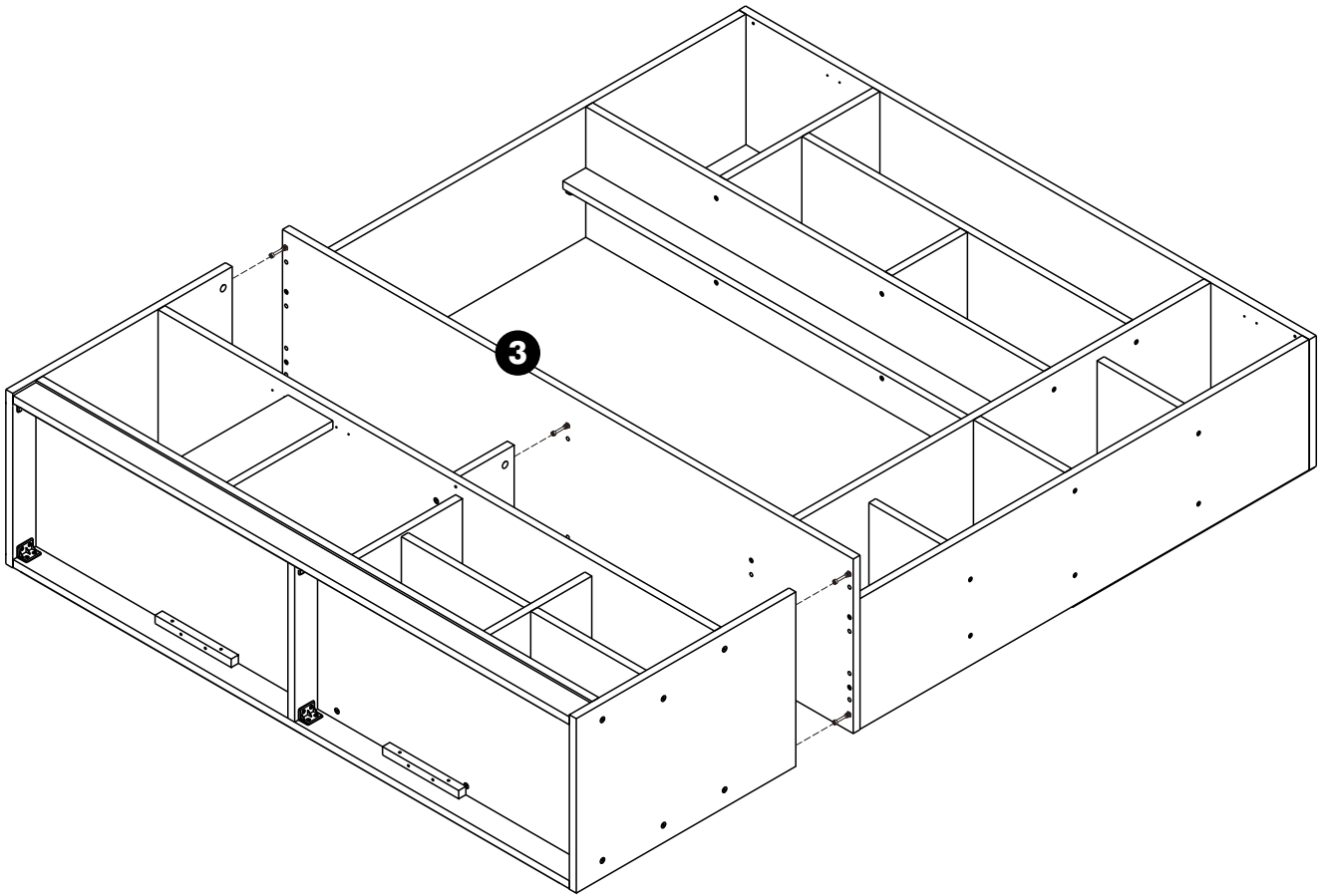
# 11.



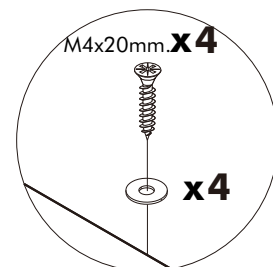
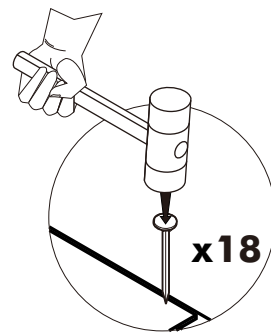
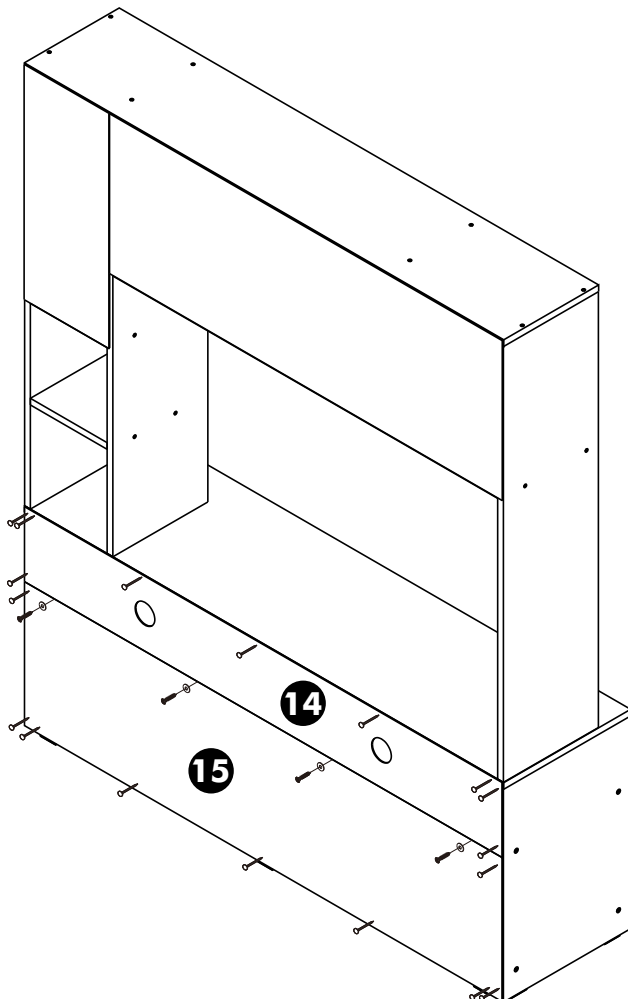
# 12.



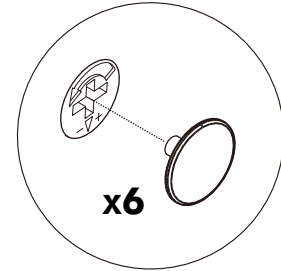
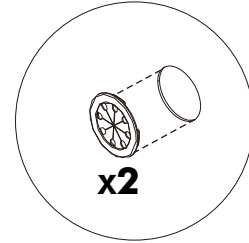
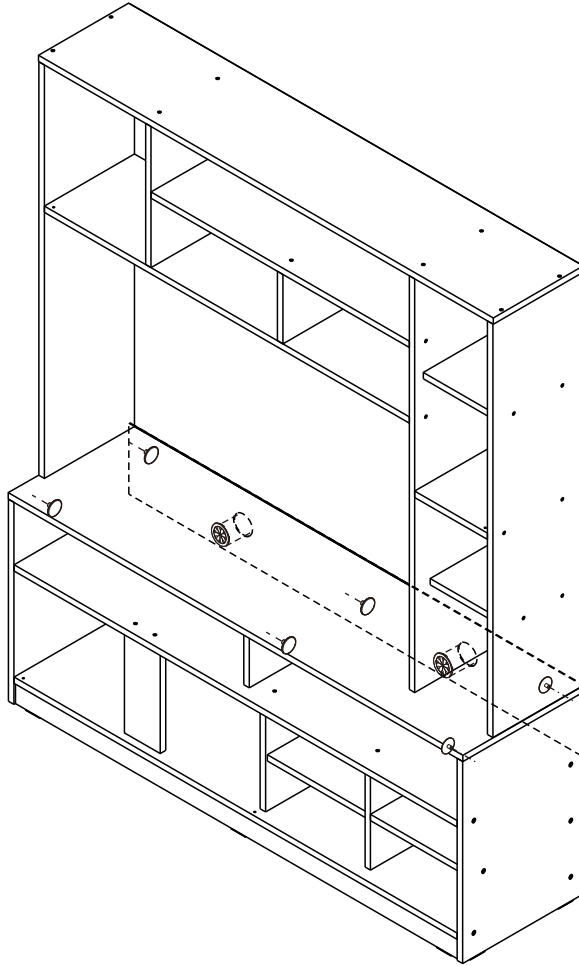
**13.**



**14.**



# 15.



# 16.

