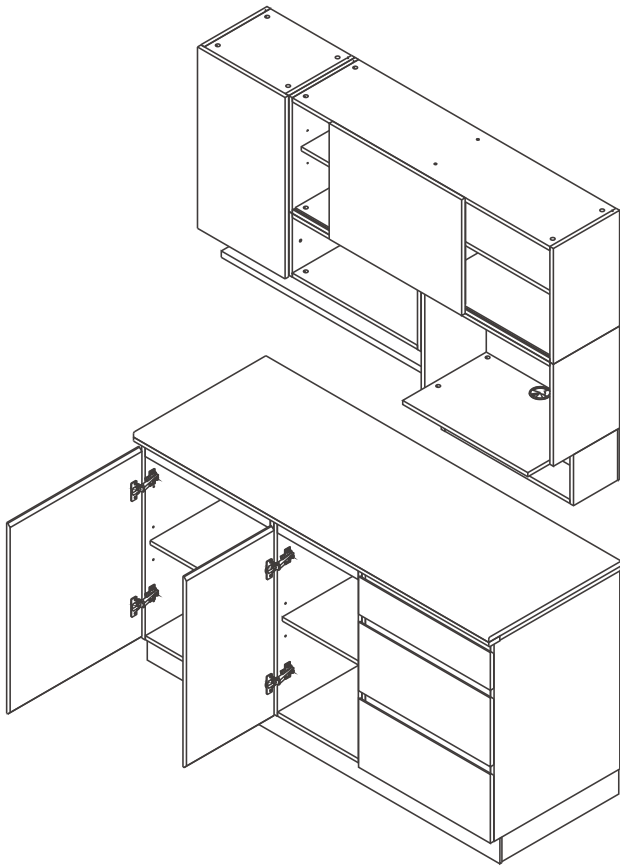
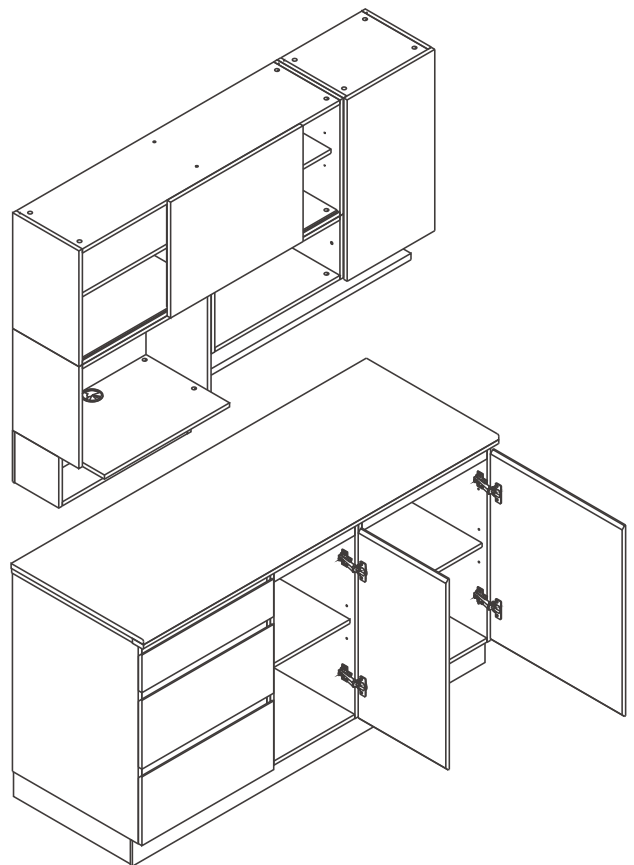


MINZOKU-P

MINZOKU 1.6 M.

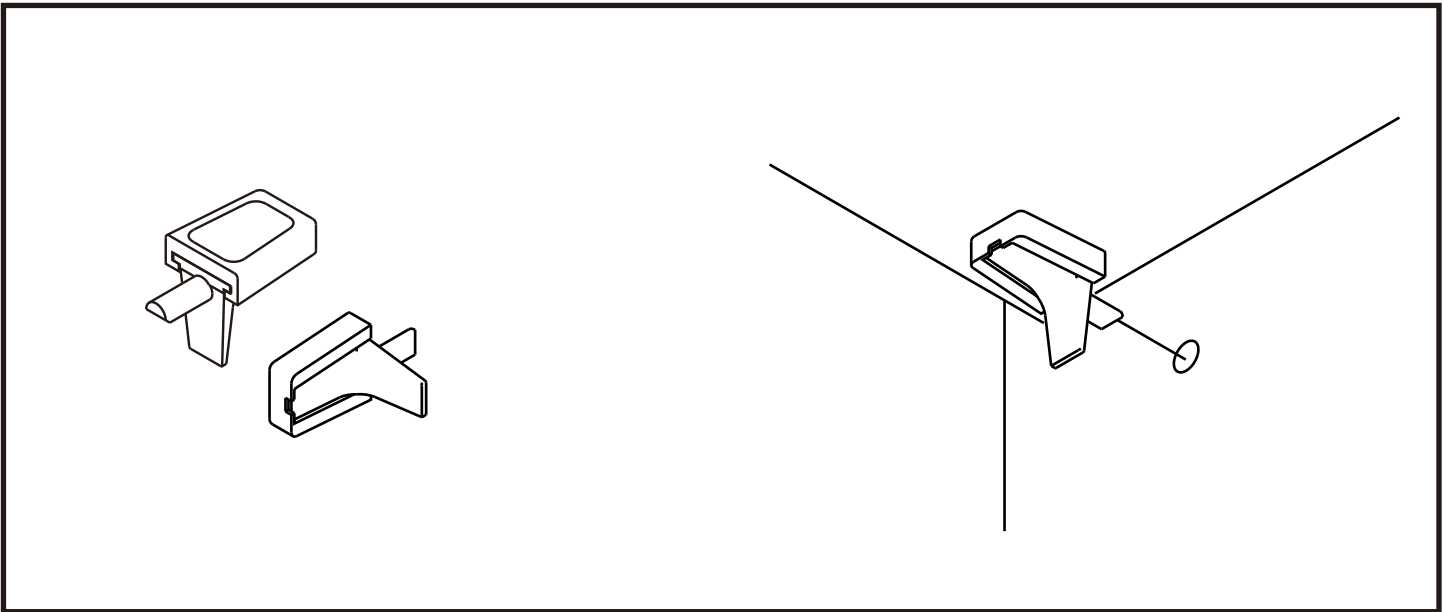
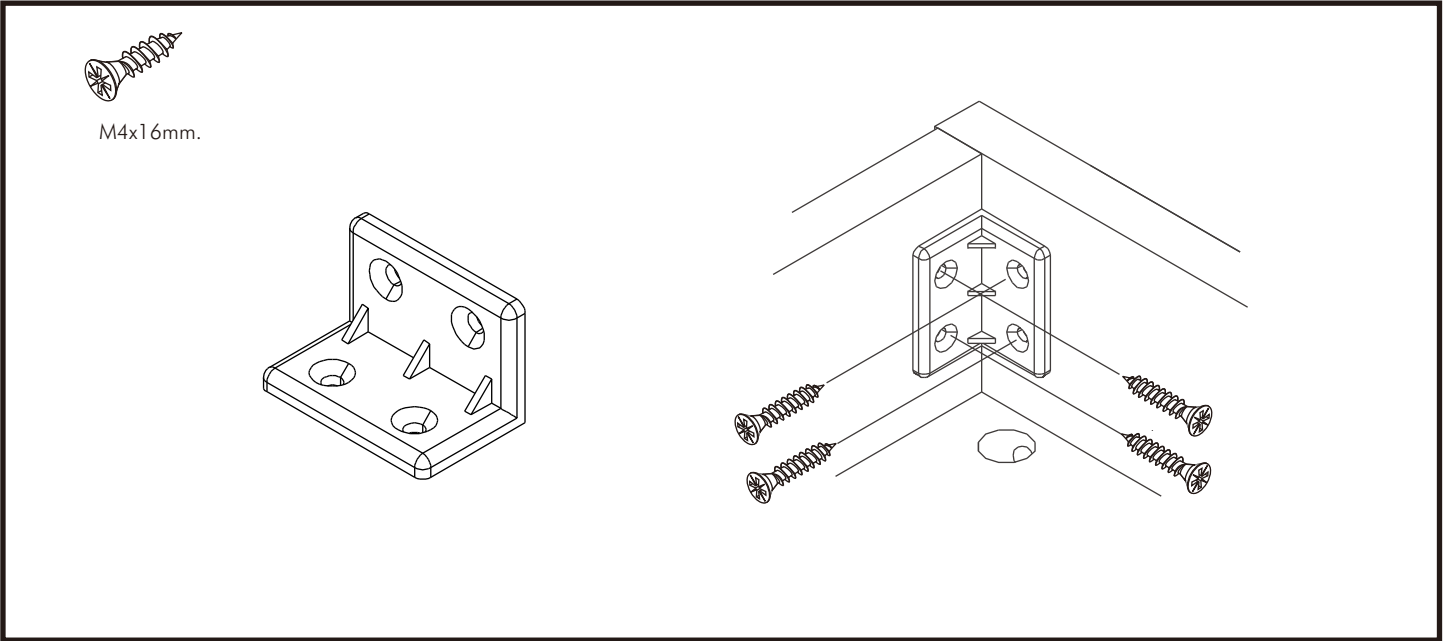
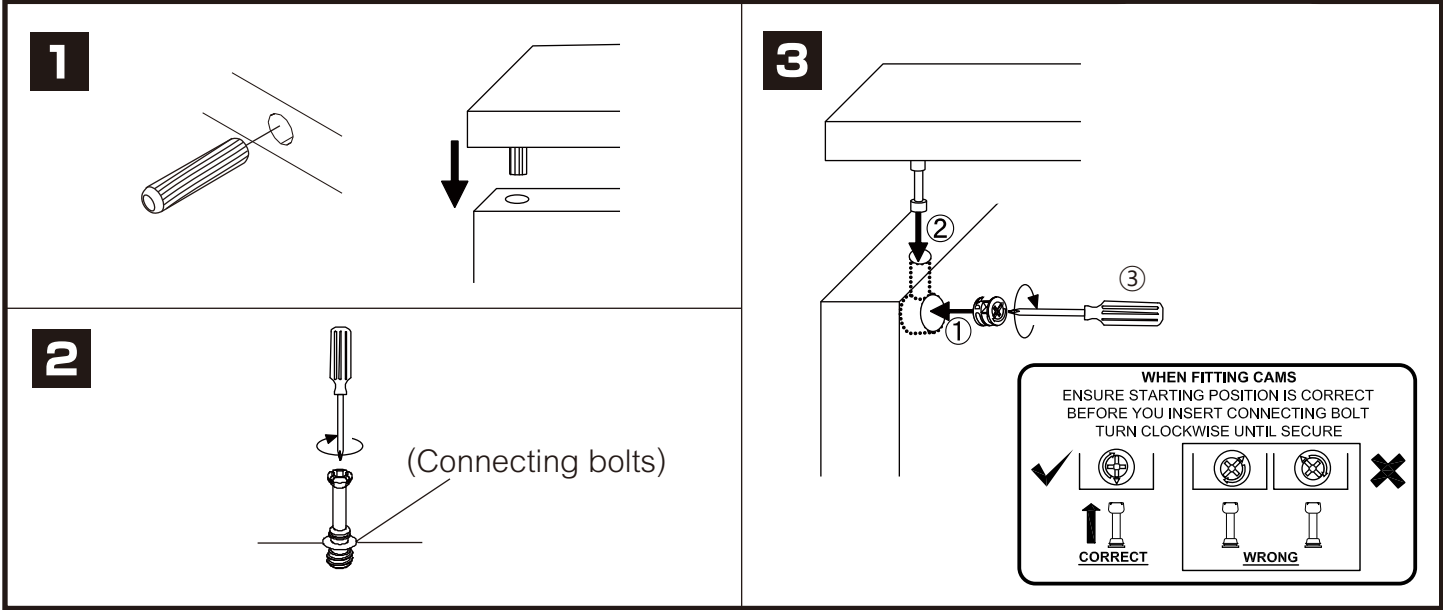


TYPE:LEFT



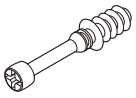
TYPE:RIGHT

CONNECT SYSTEM



HARDWARE

-BODY SET

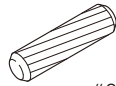


X 50



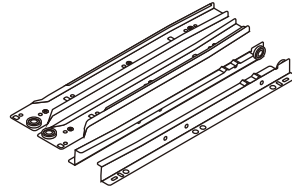
#19mm.

X 50

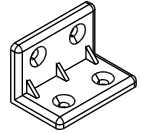


#8x35

X 94



X 3



X 25



M4x16mm.

X 184



M3.5x13mm.

X 5



M6x23

X 13



M4x40mm.

X 40



M3.5x13mm.

X 50

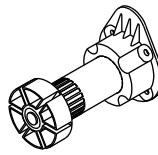


M4x13mm.

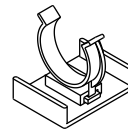
X 16



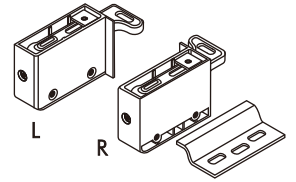
X 1



X 12



X 8

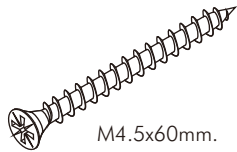


X3/4/7



M4x30mm.

X 22



M4.5x60mm.

X 26

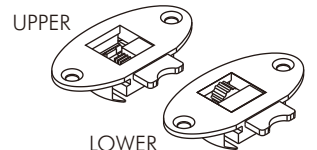


X 1

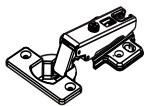


M4x25mm.

X 12



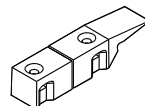
X 2/2



X 6



X 8

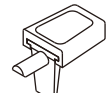


X 4



#UP-745

X 30



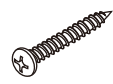
X 24



X 10



X 2



M4x25mm.

X 2

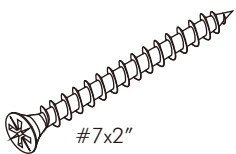


X 3



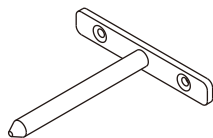
M4x10mm.

X 3



#7x2"

X 4



X 3



X 4



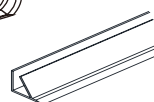
Dark gray

X 12

2,800mm.



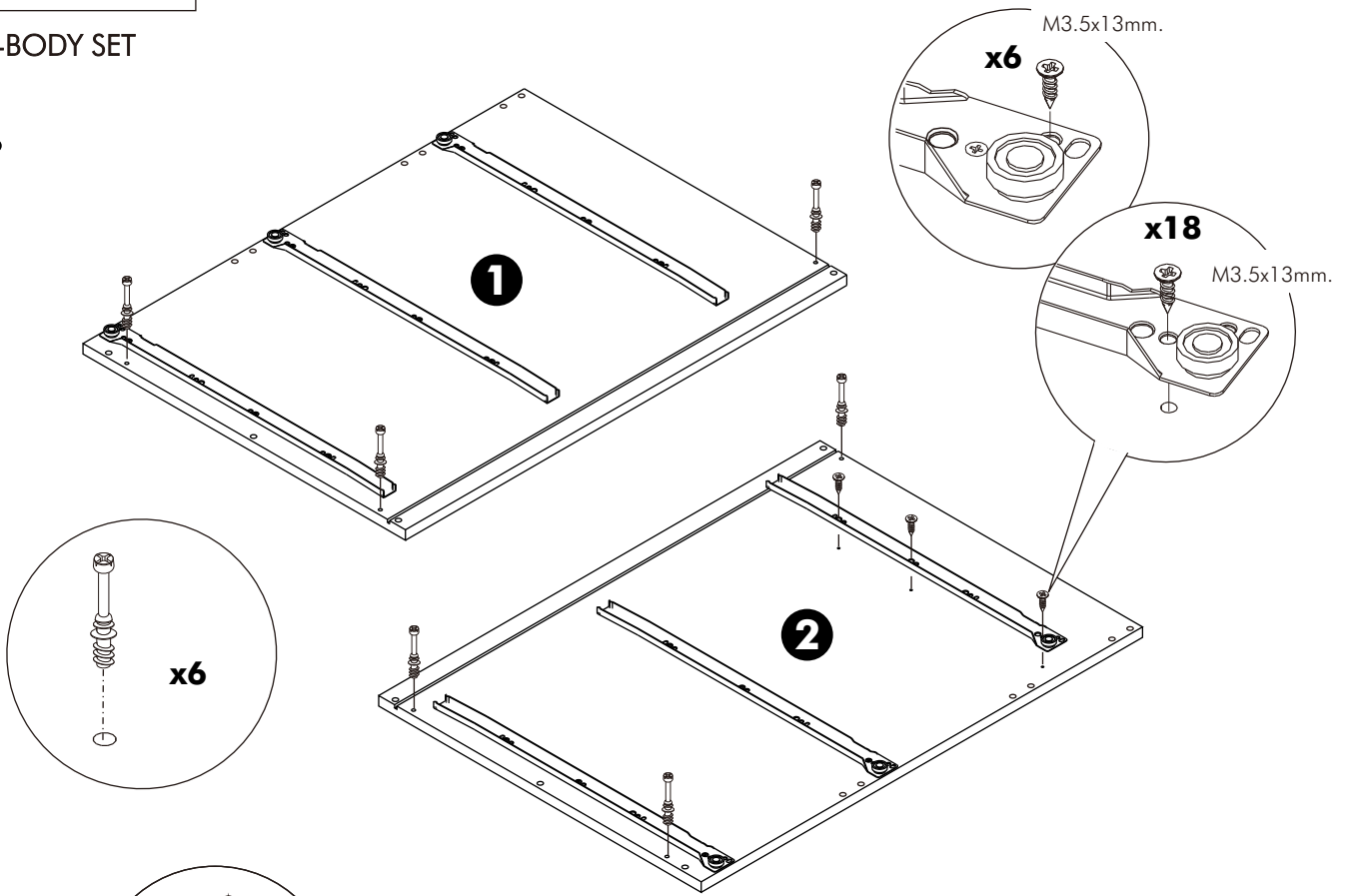
X 1



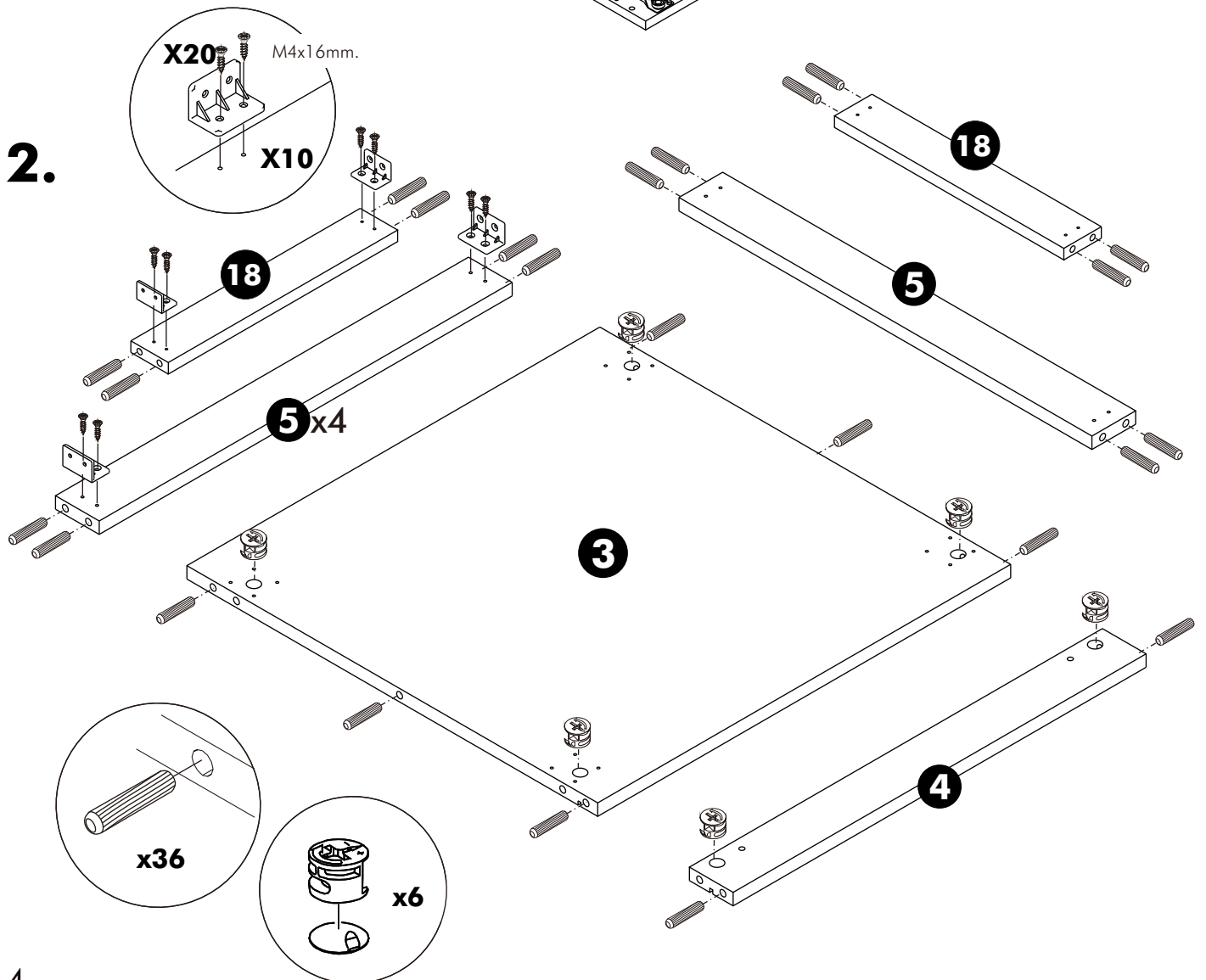
ASSEMBLY

-BODY SET

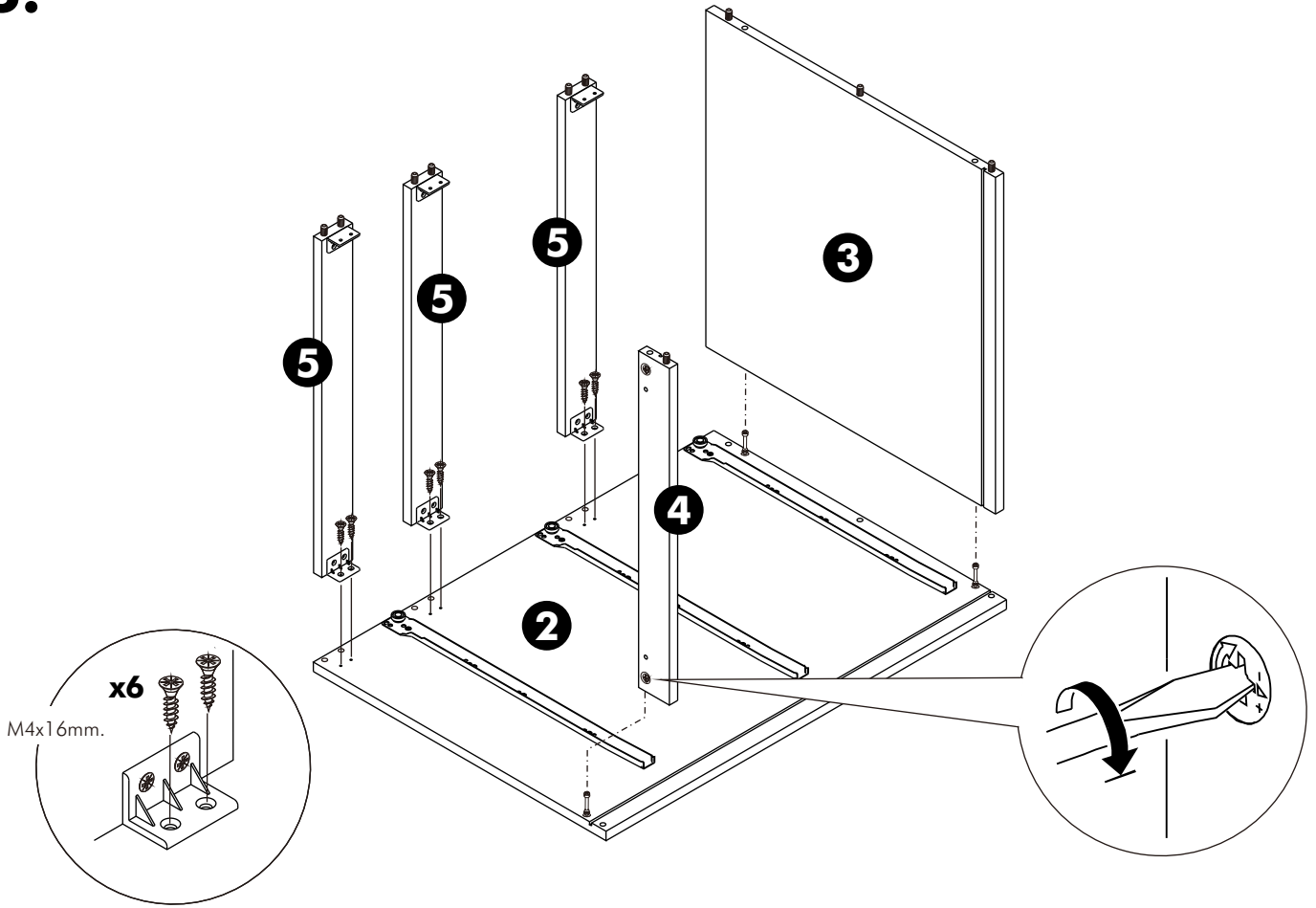
1.



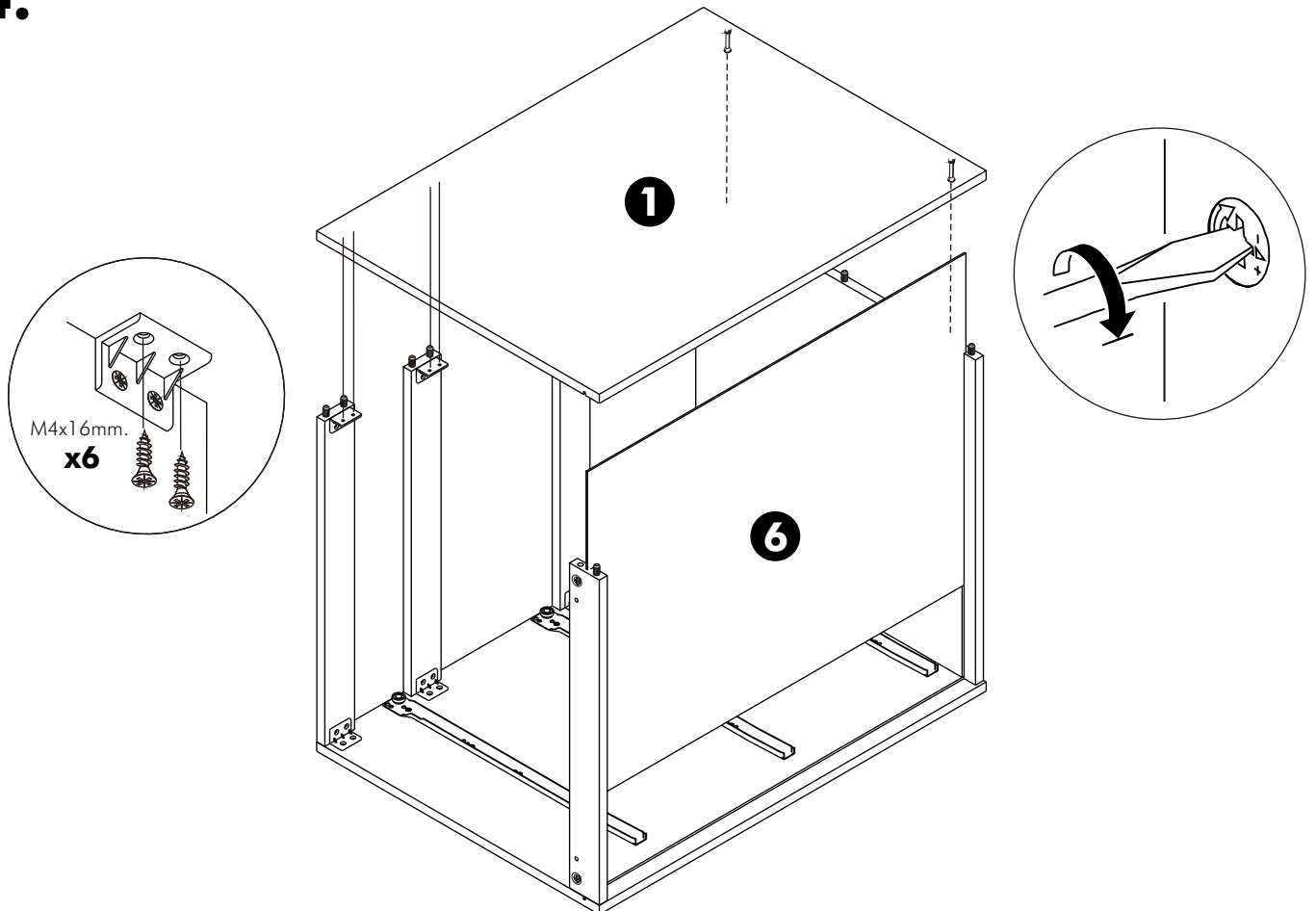
2.



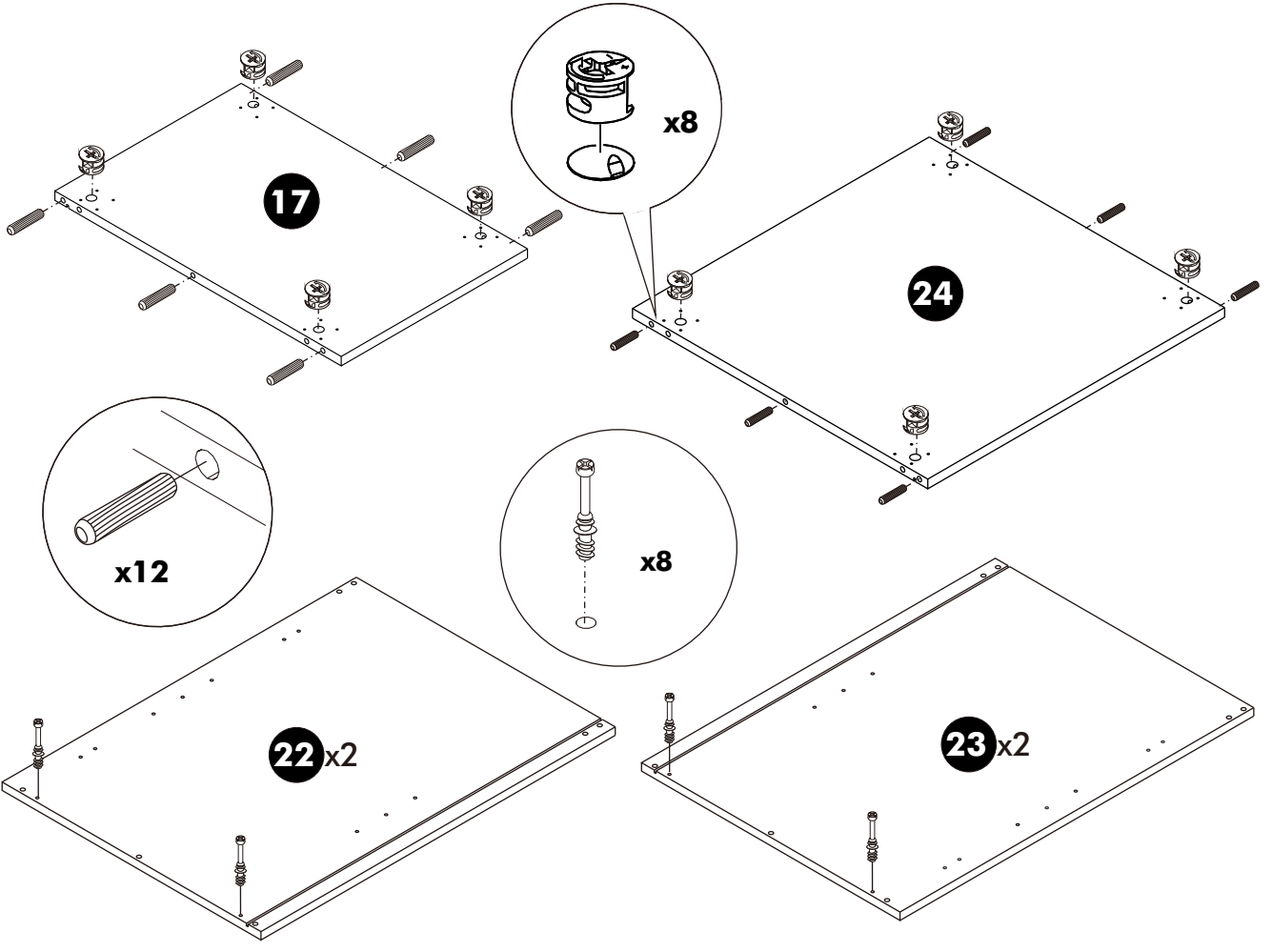
3.



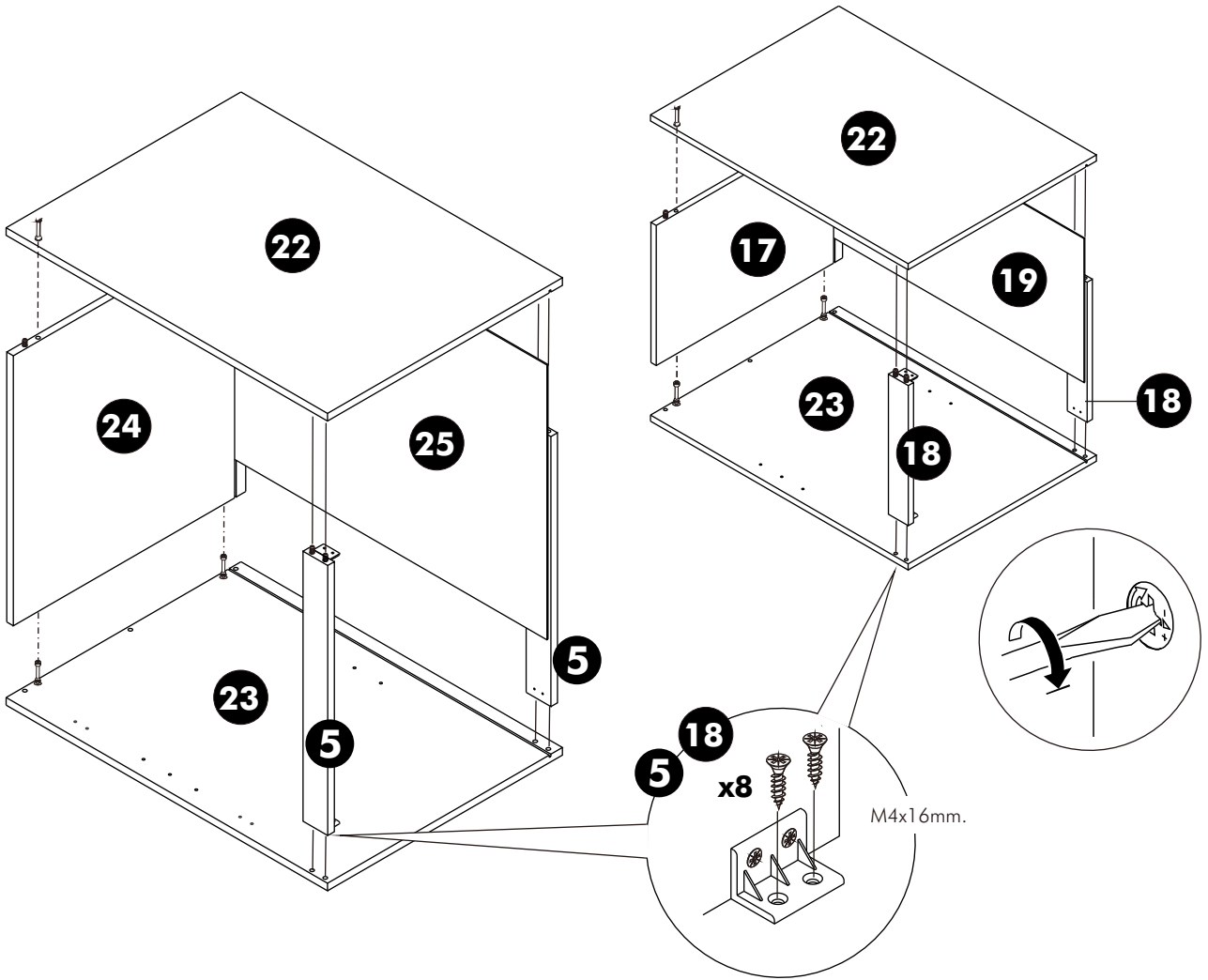
4.



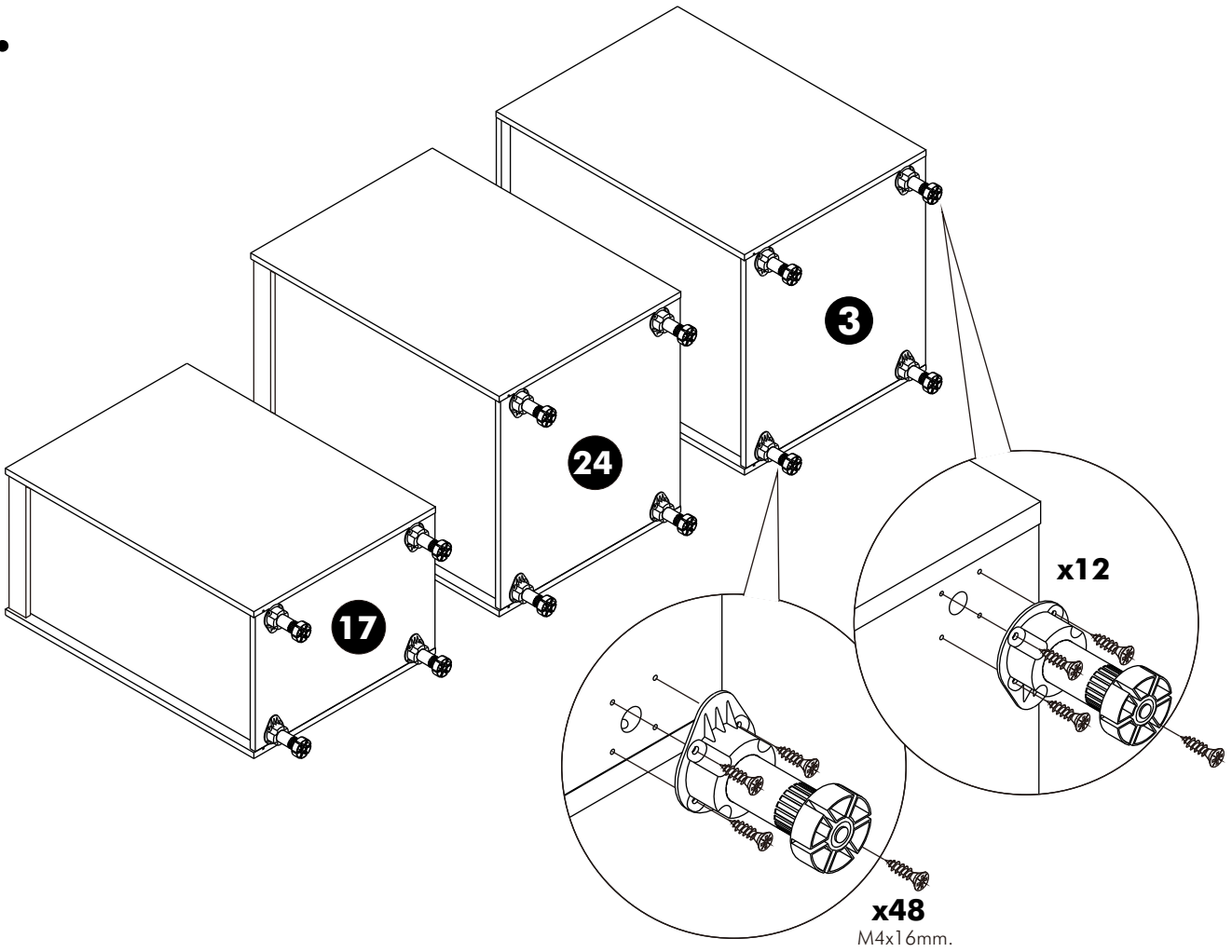
5.



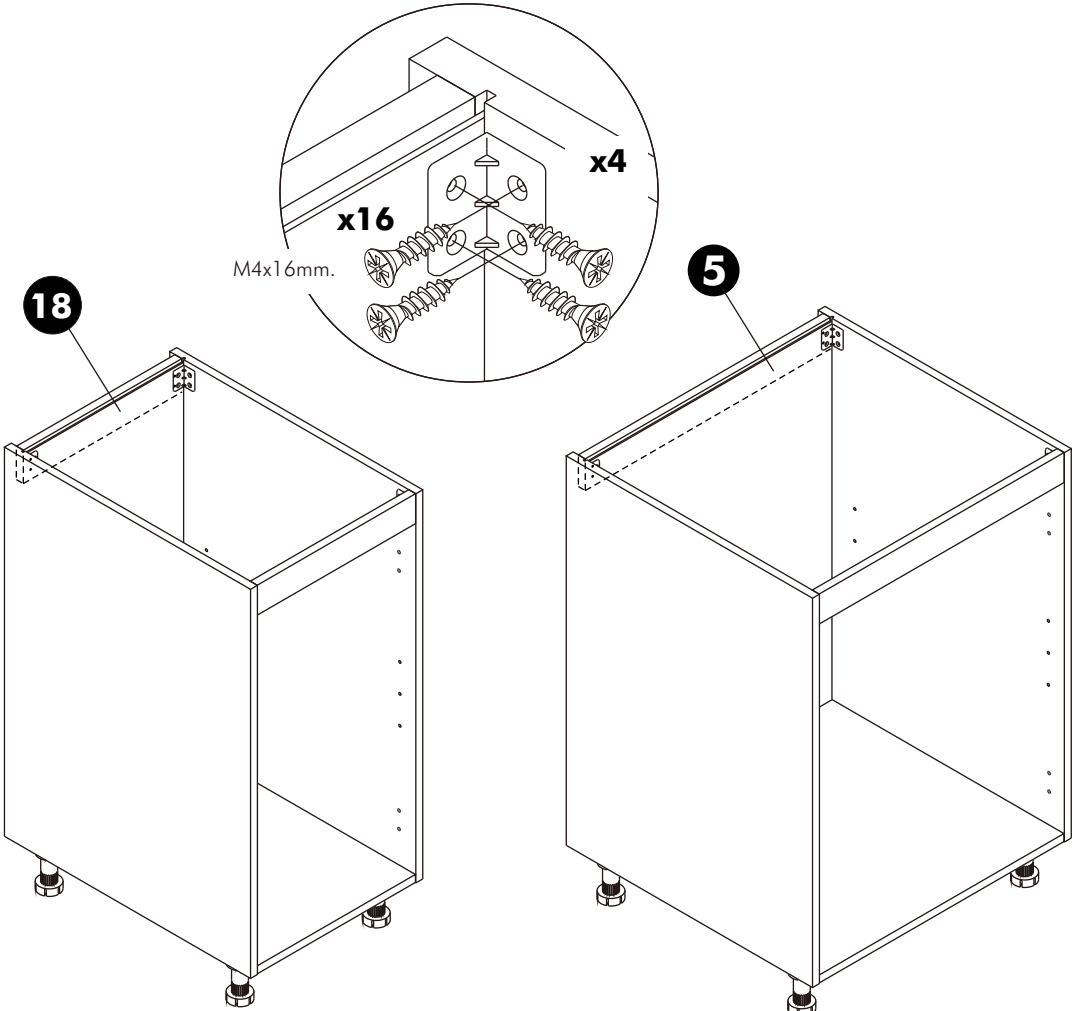
6.



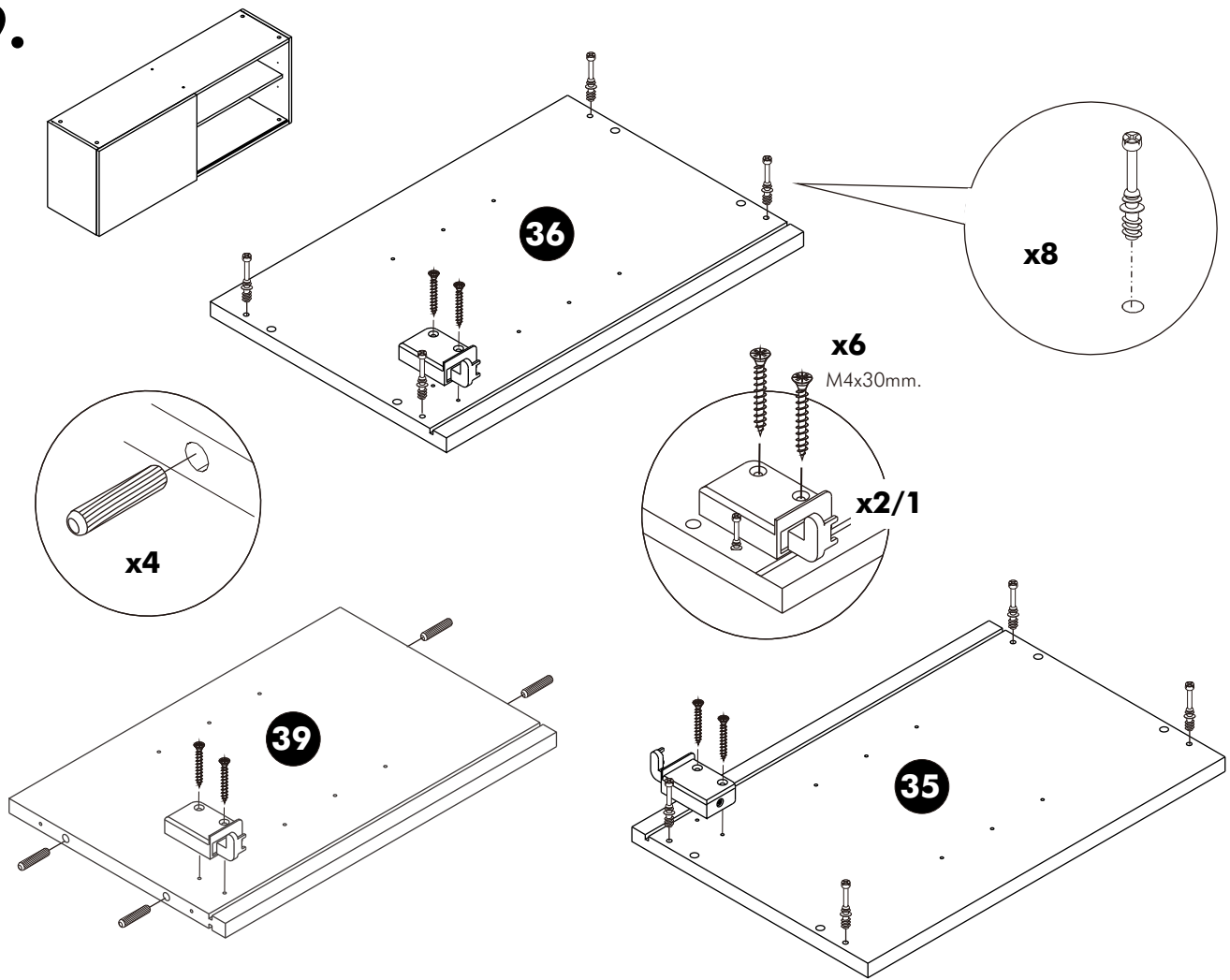
7.



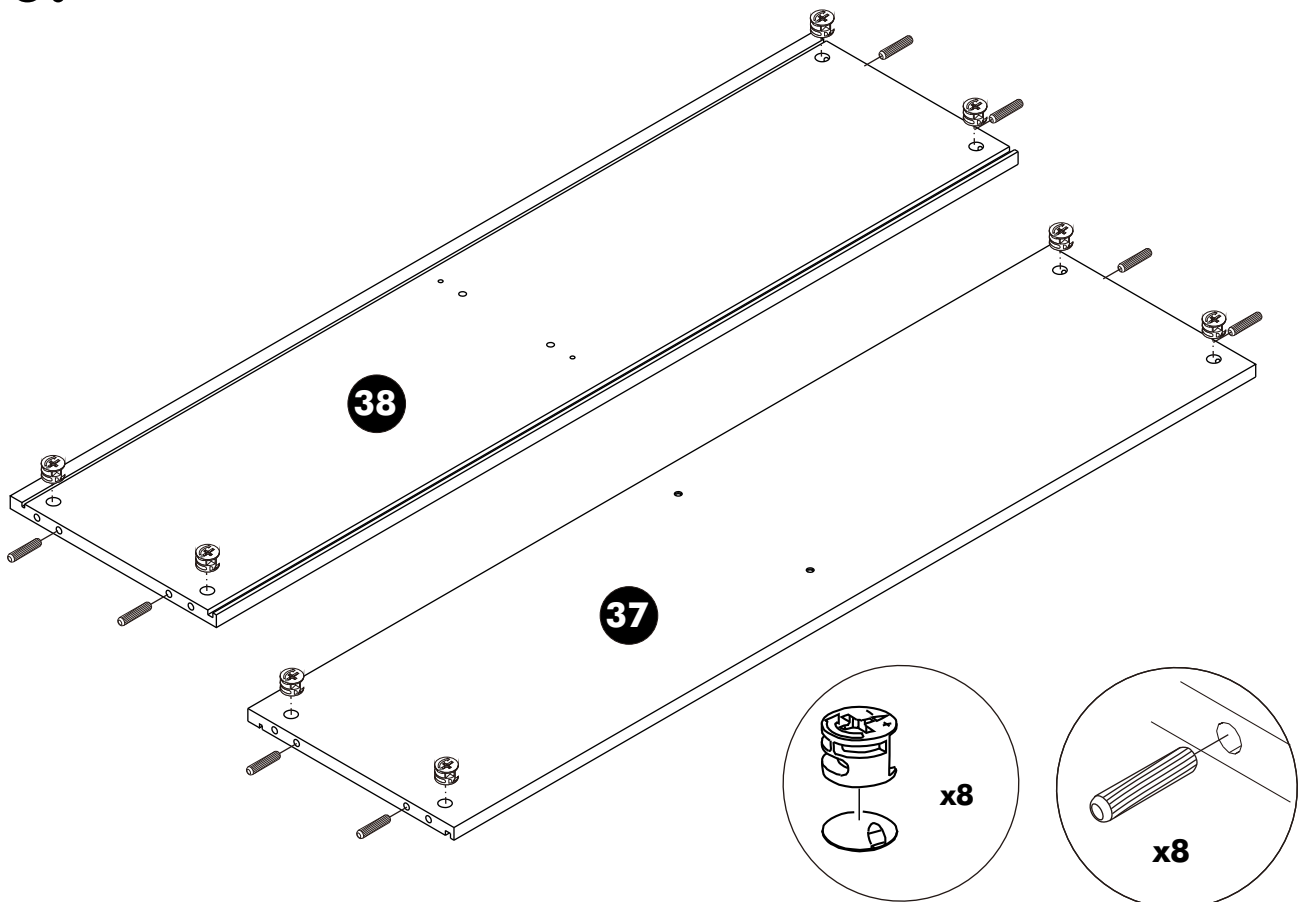
8.



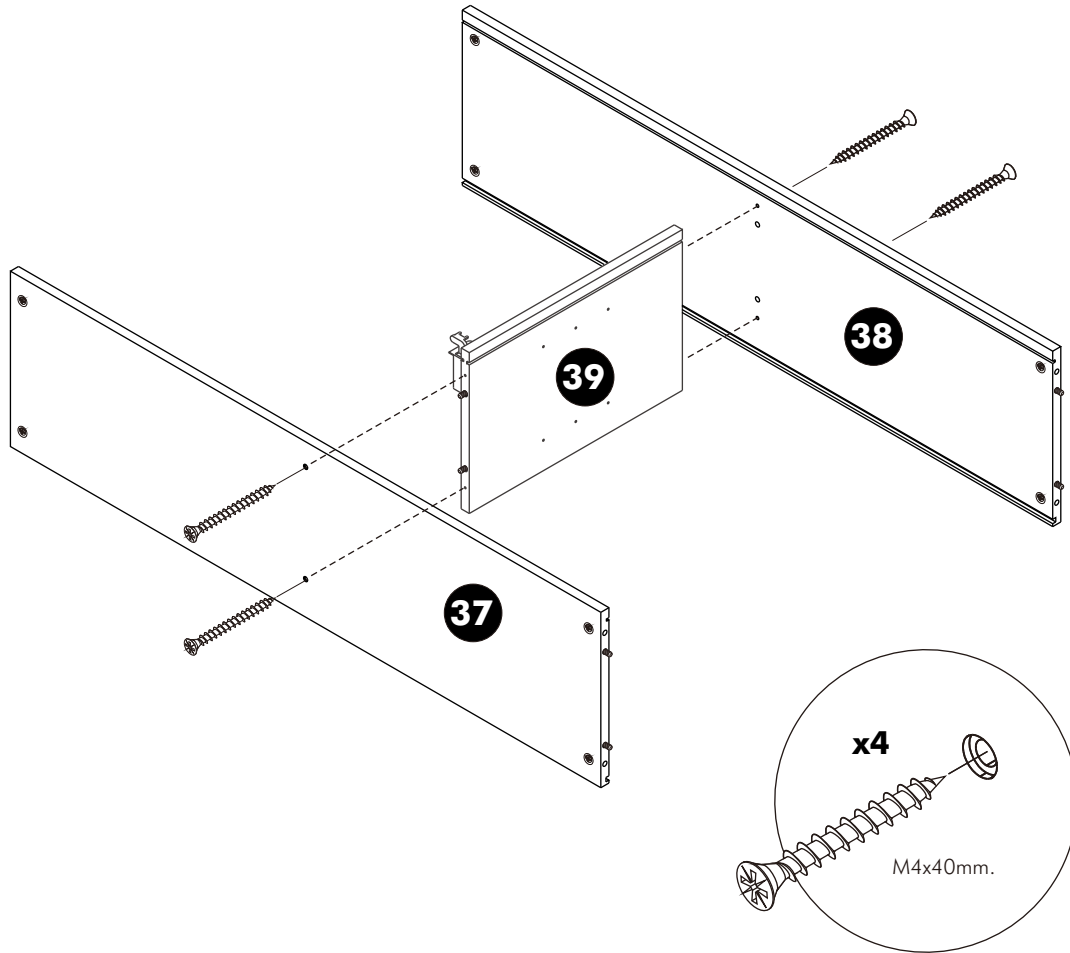
9.



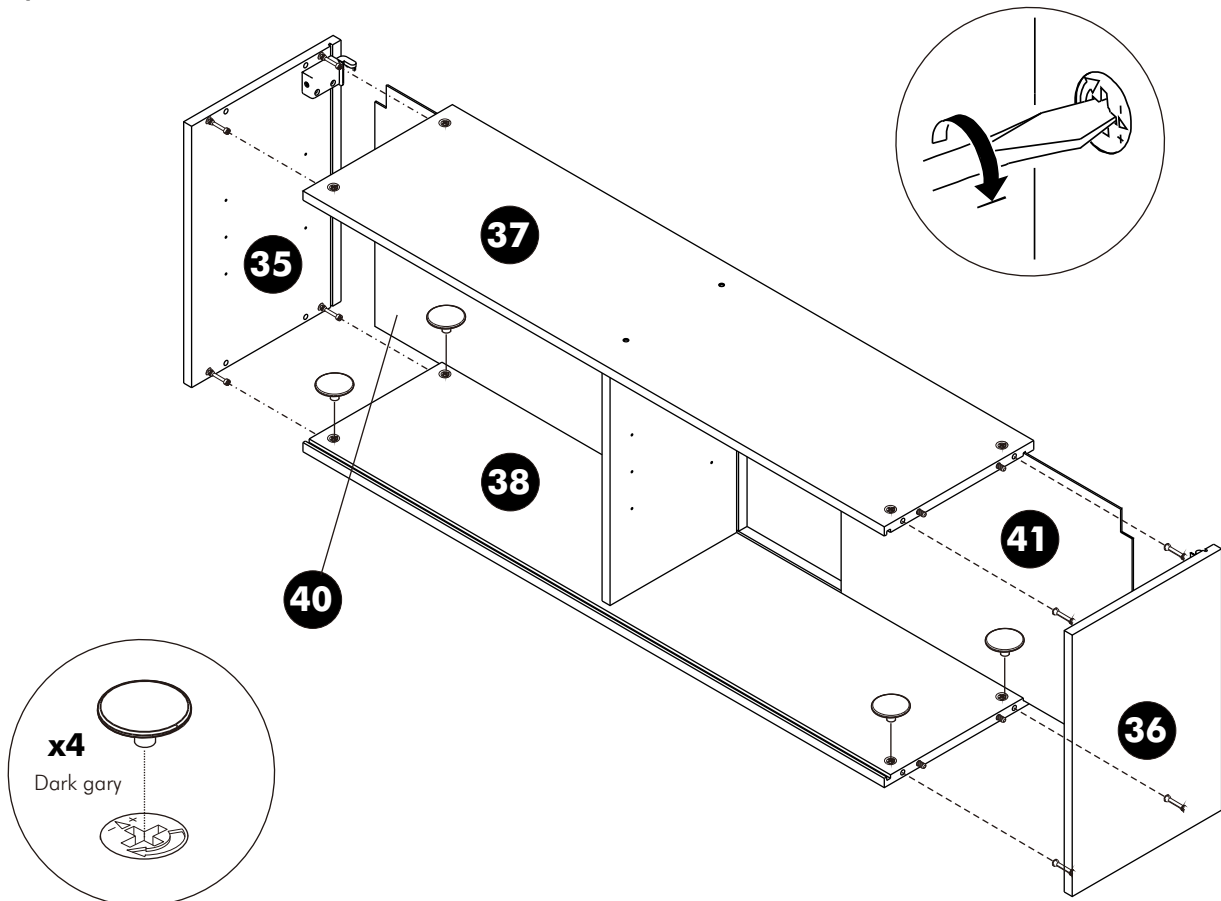
10.



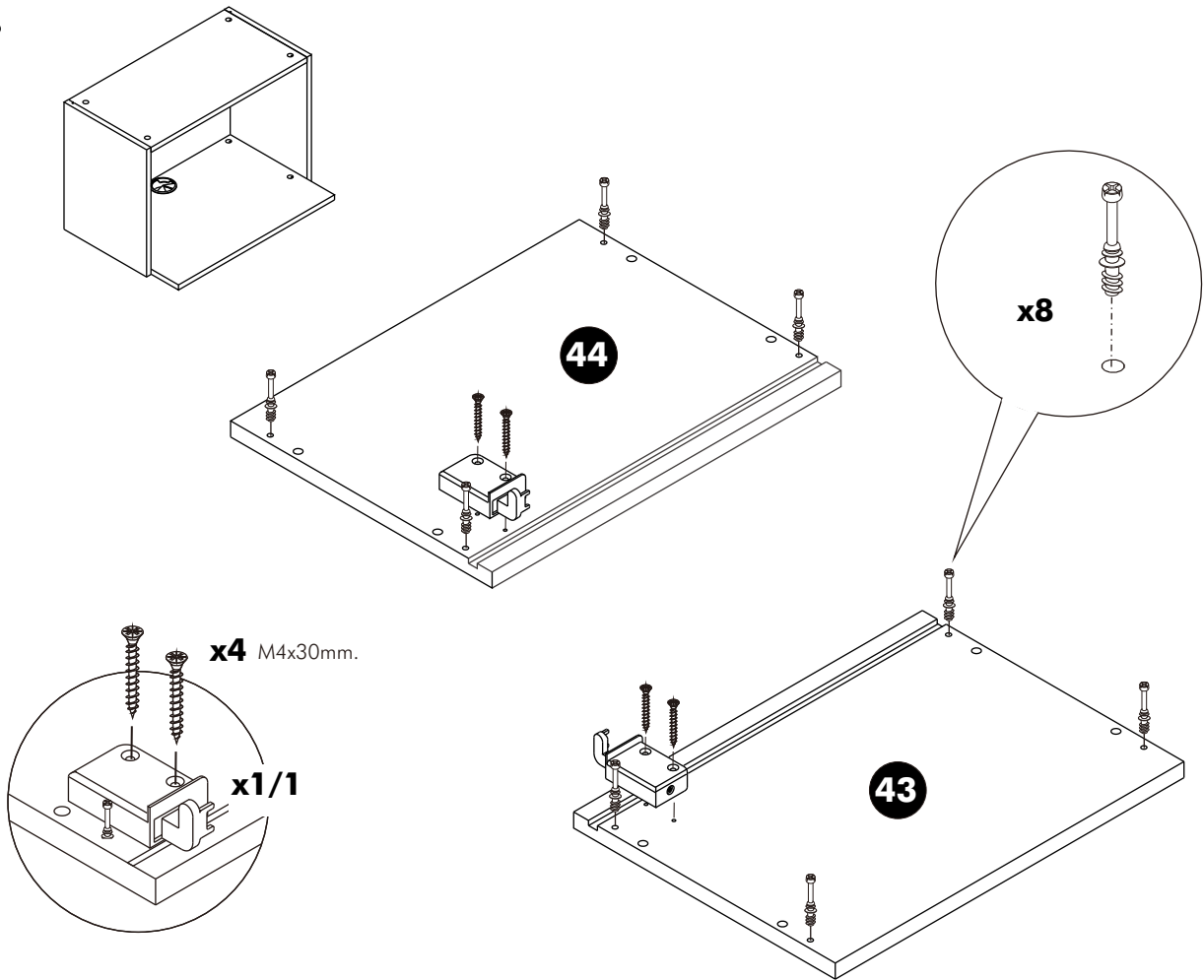
11.



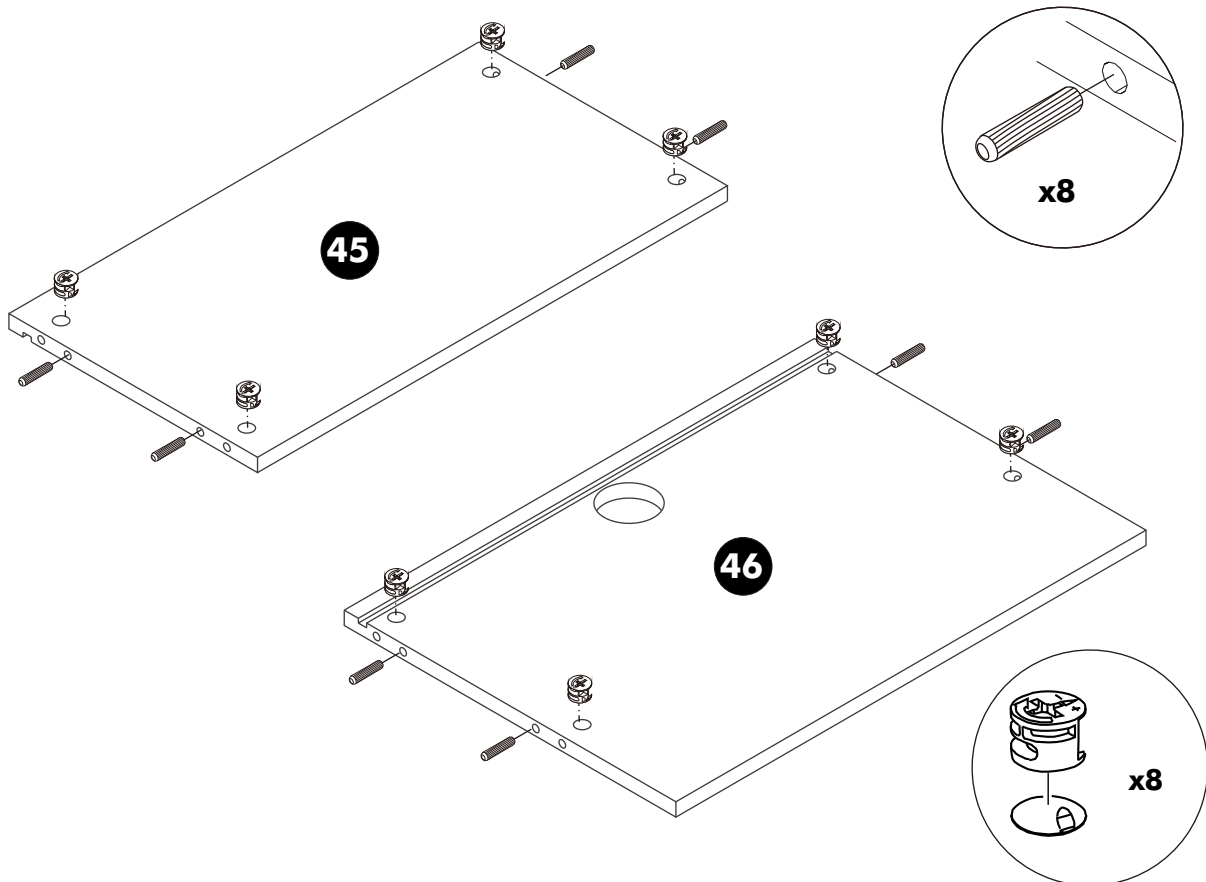
12.



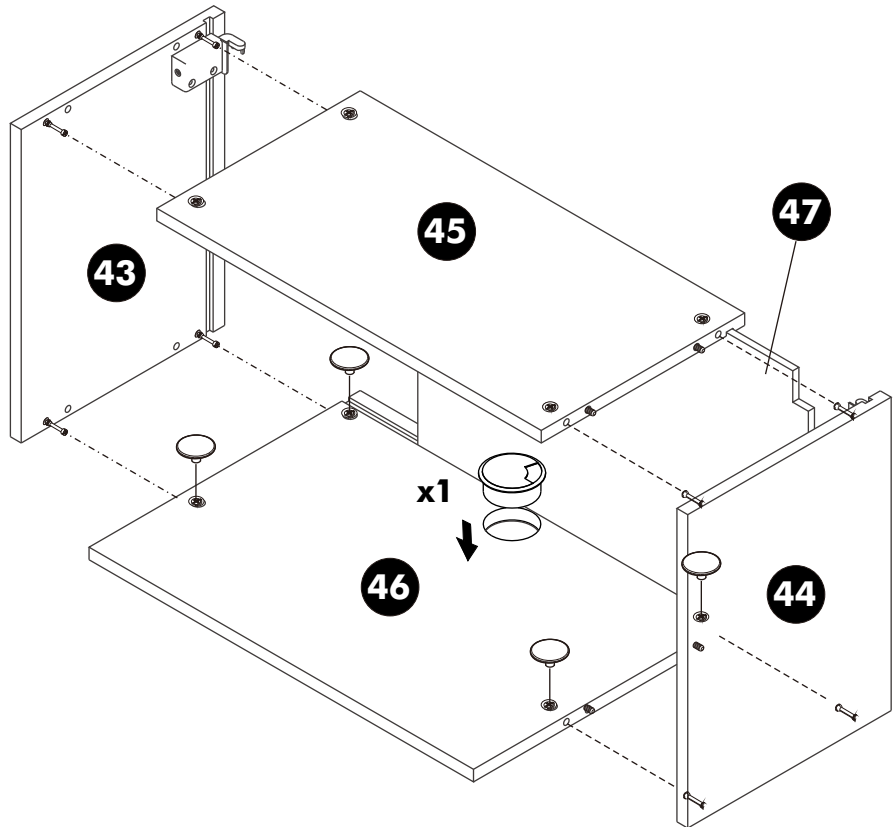
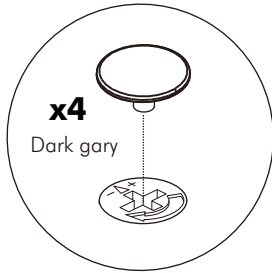
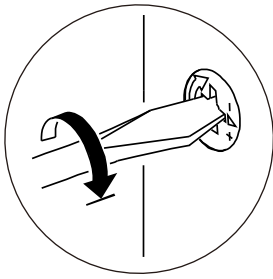
13.



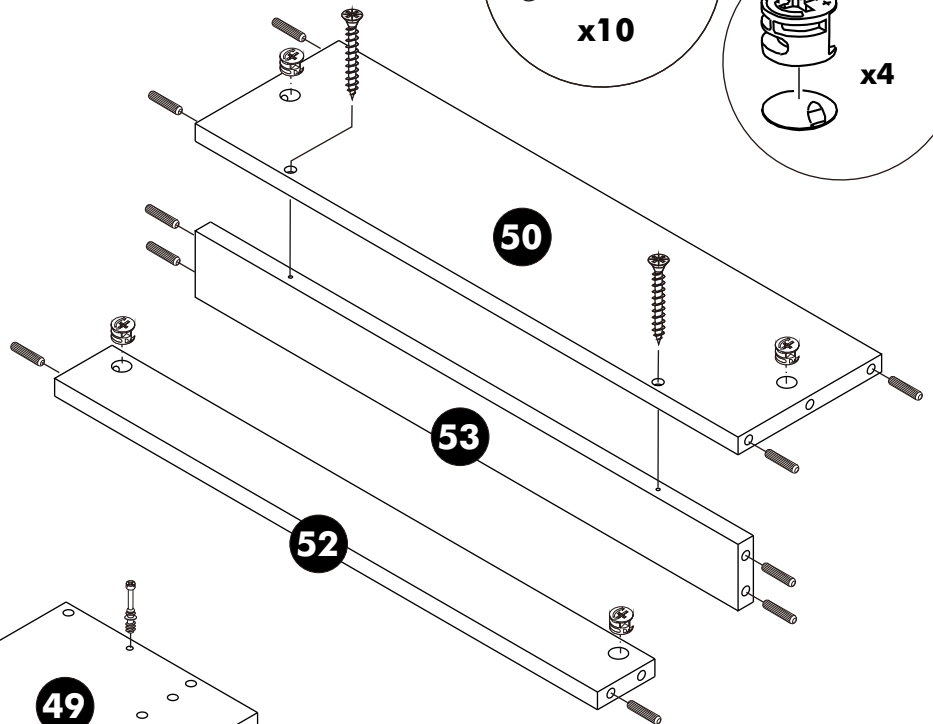
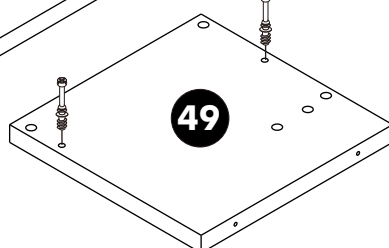
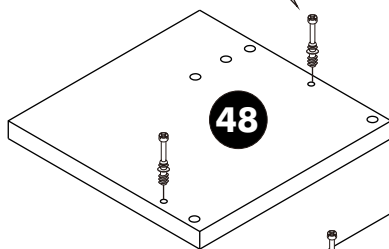
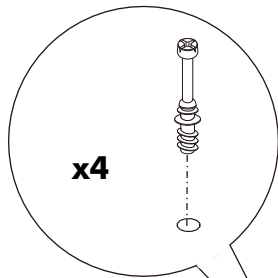
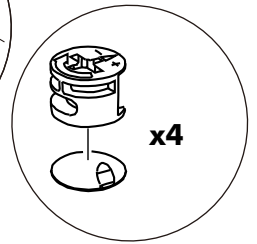
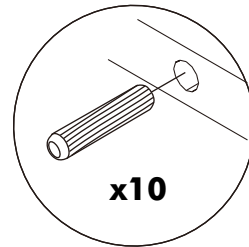
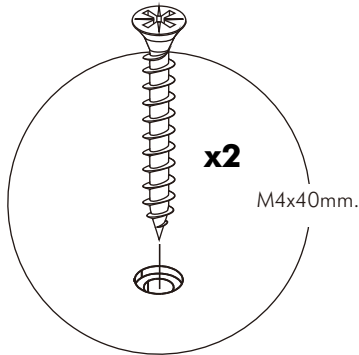
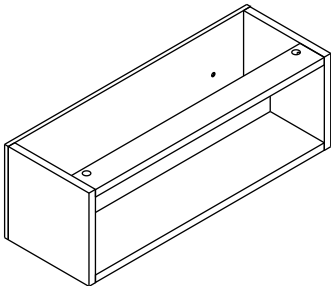
14.



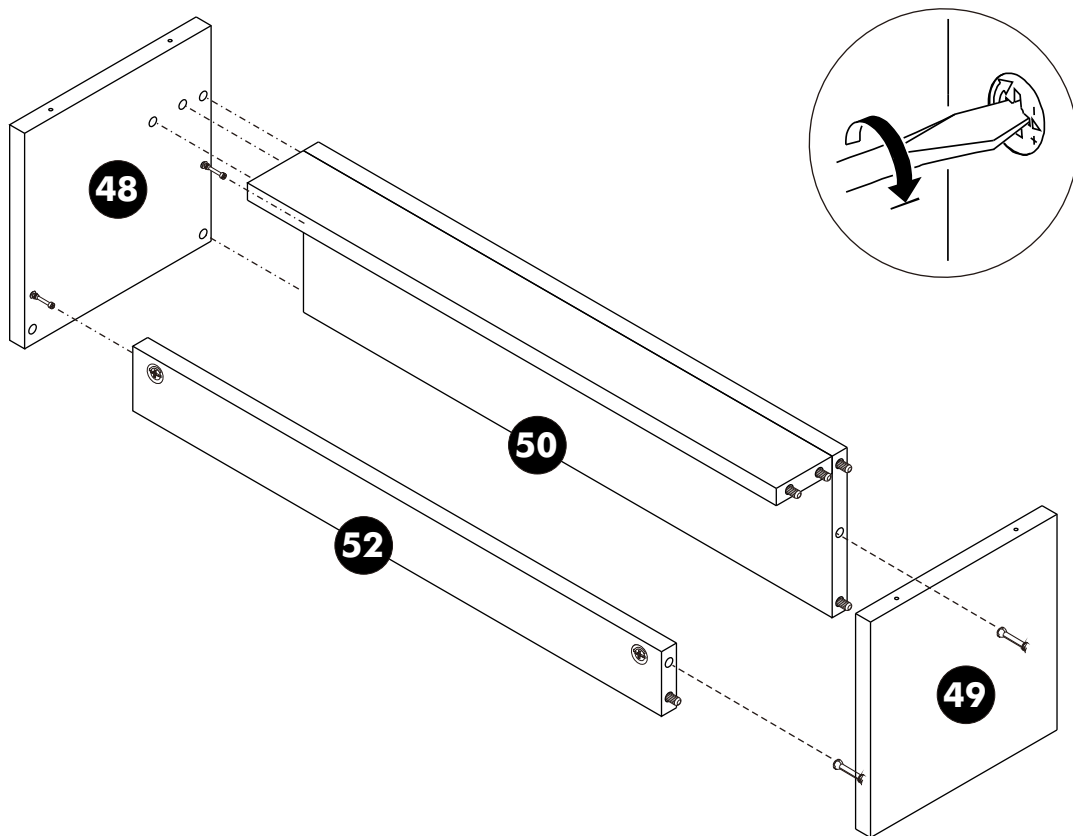
15.



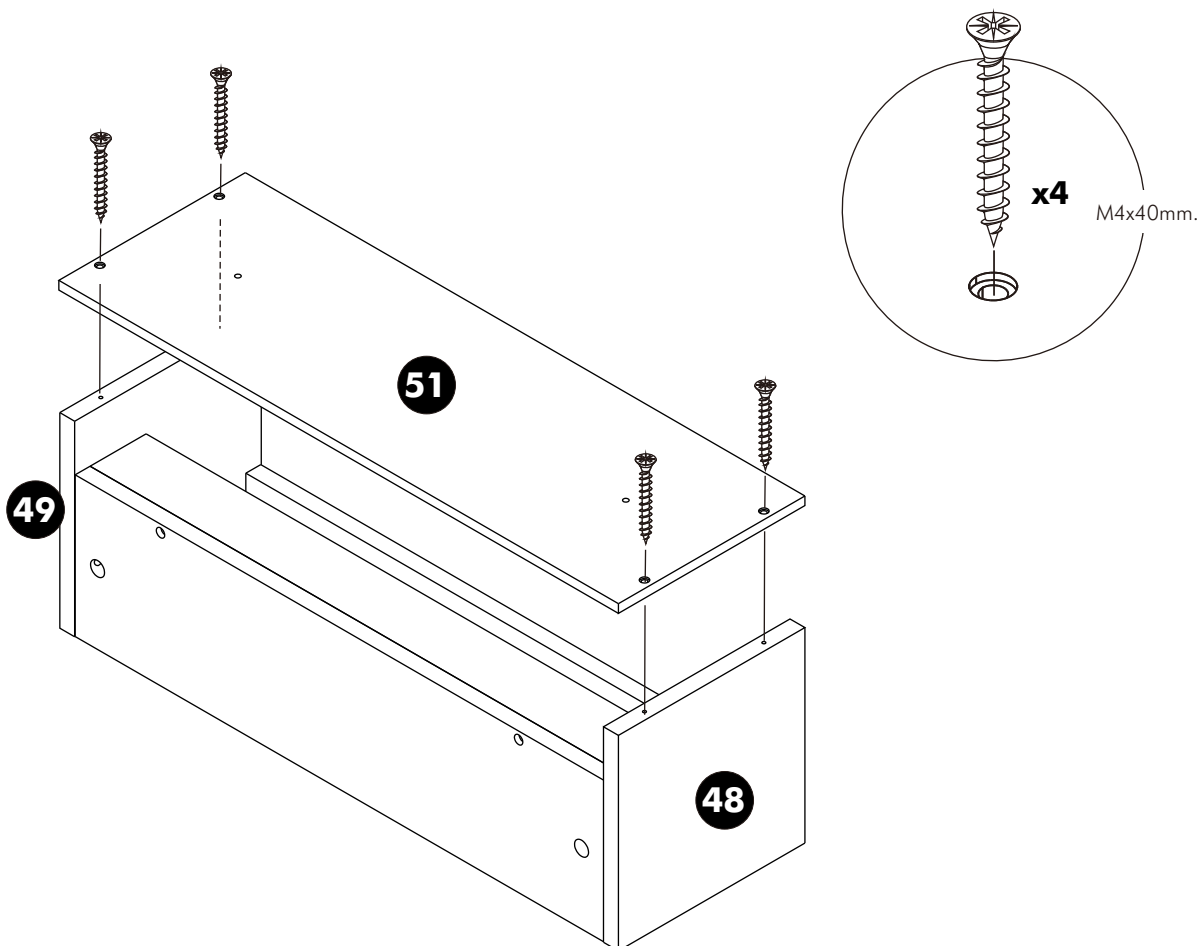
16.



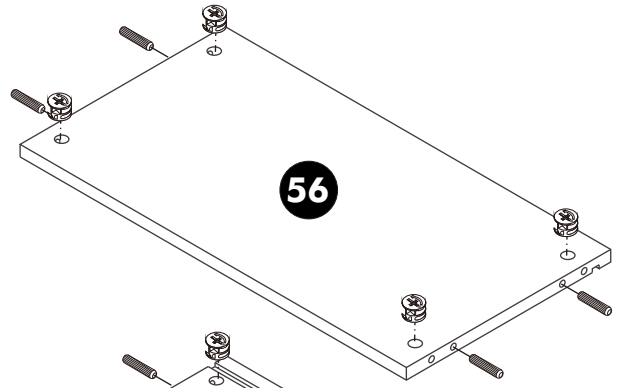
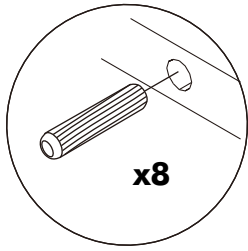
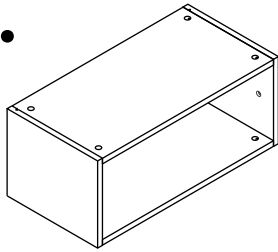
17.



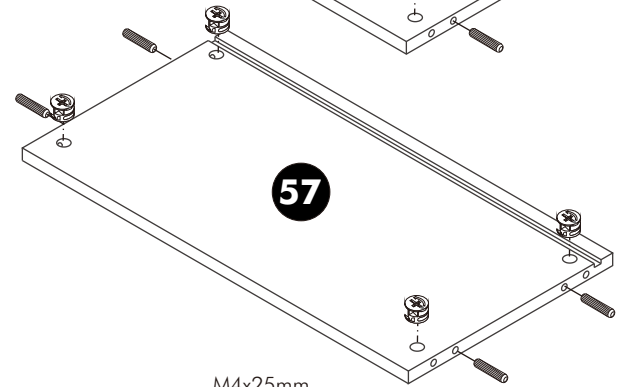
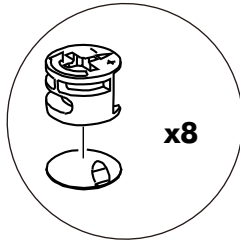
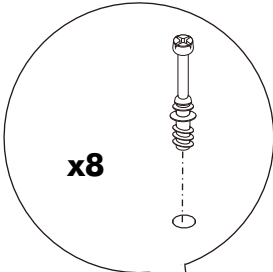
18.



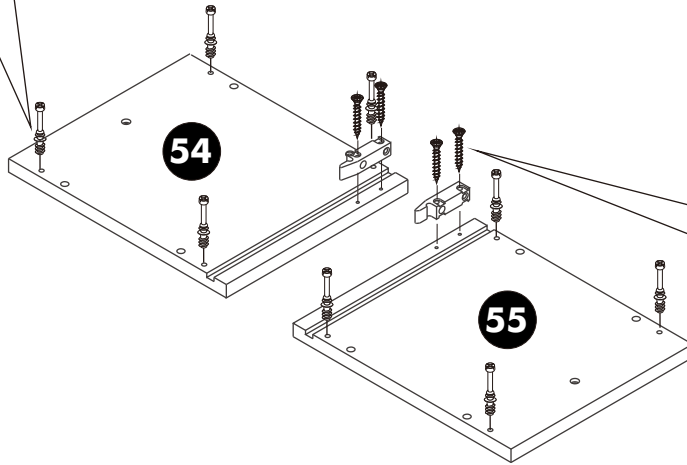
19.



56



57

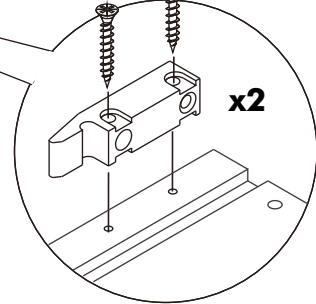


54

55

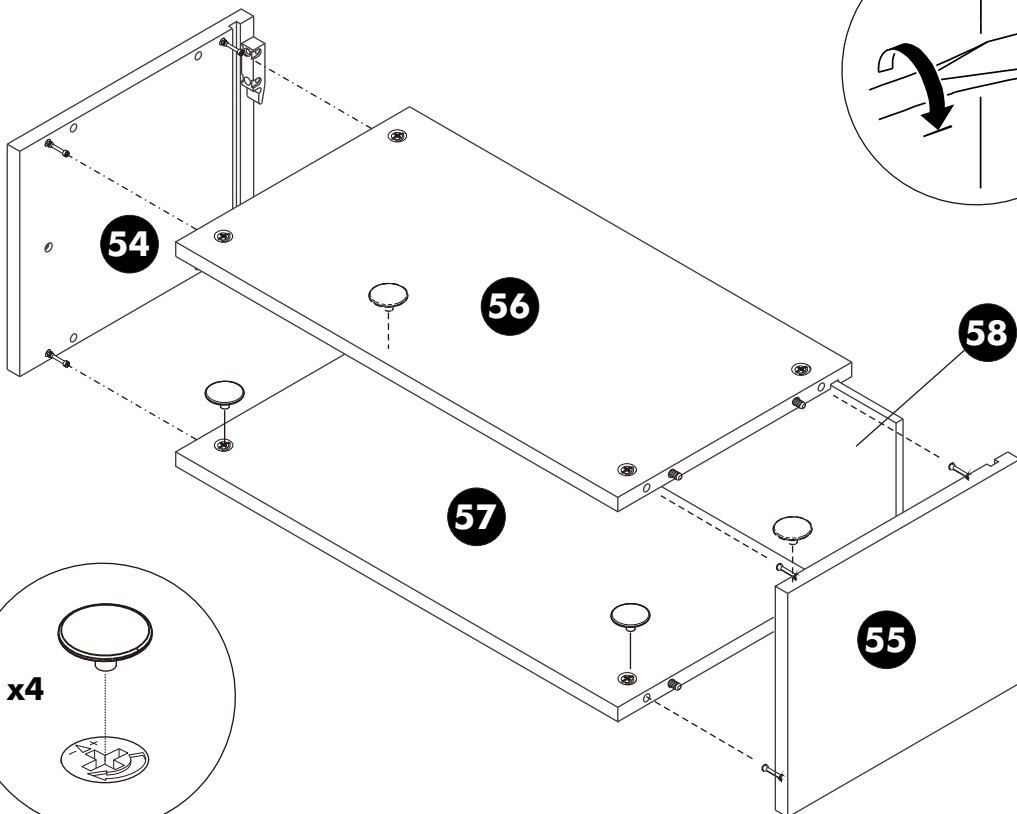
M4x25mm.

x4



x2

20.



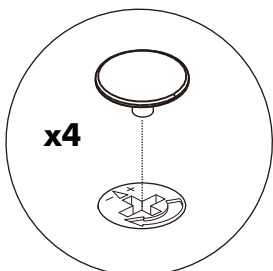
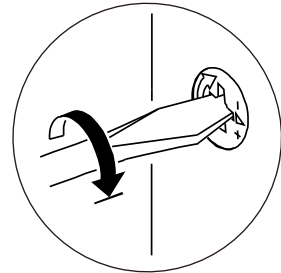
54

56

57

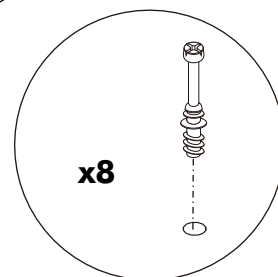
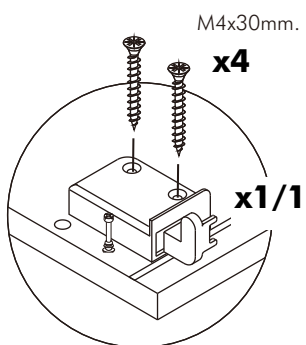
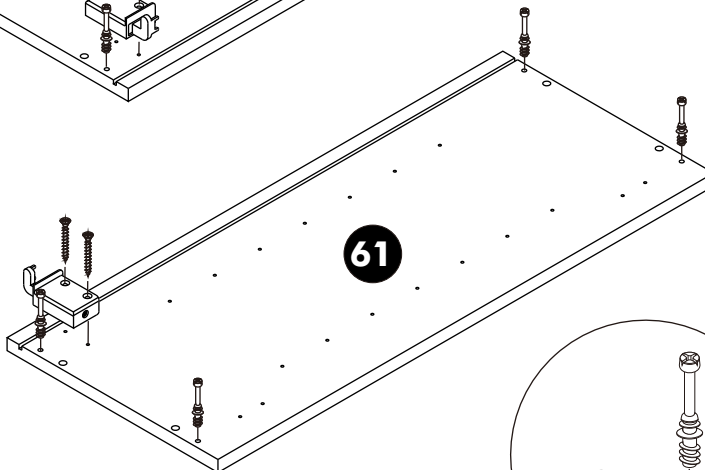
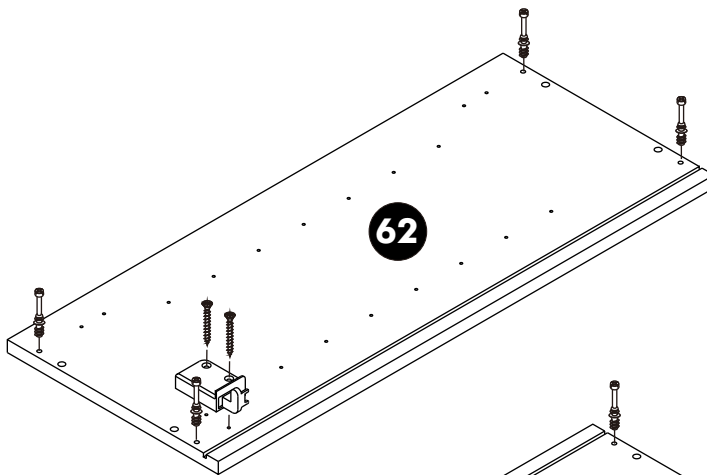
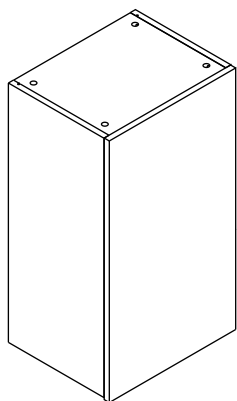
58

55

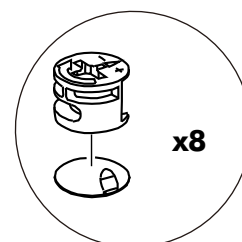
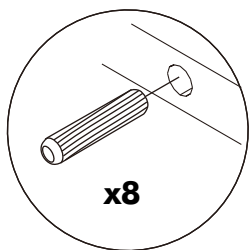
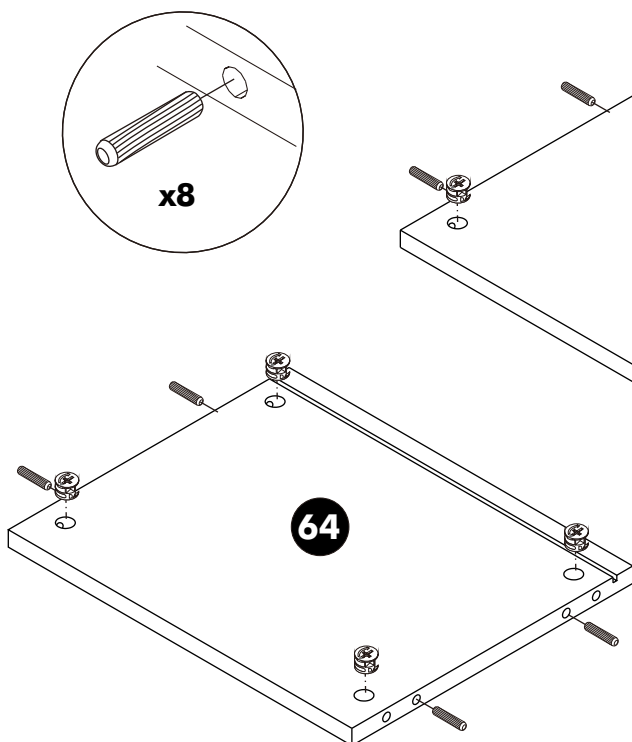


x4

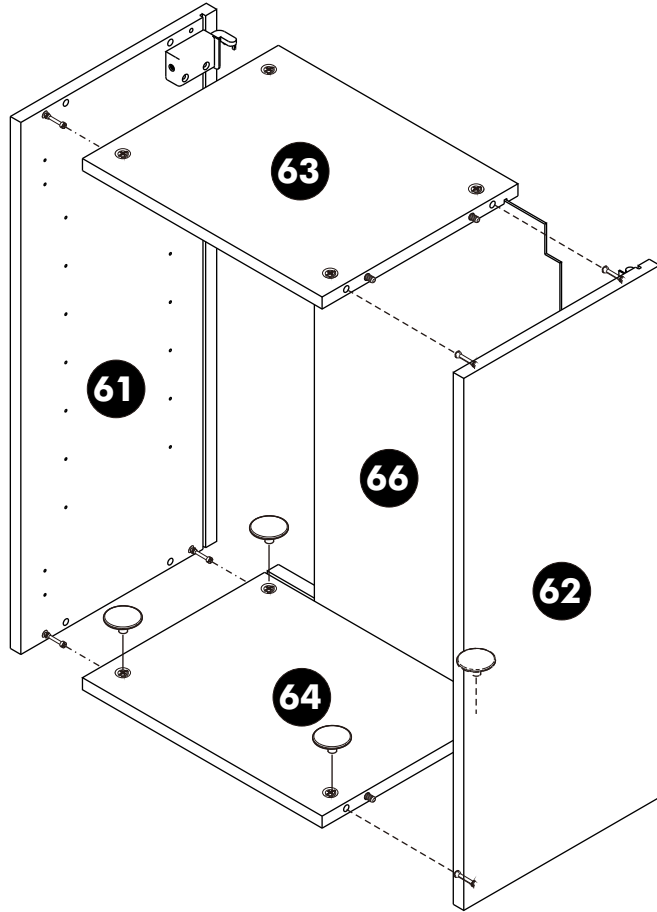
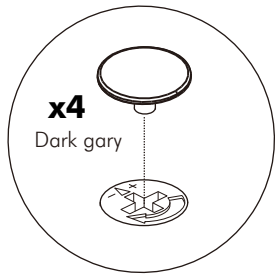
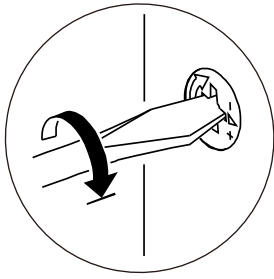
21.



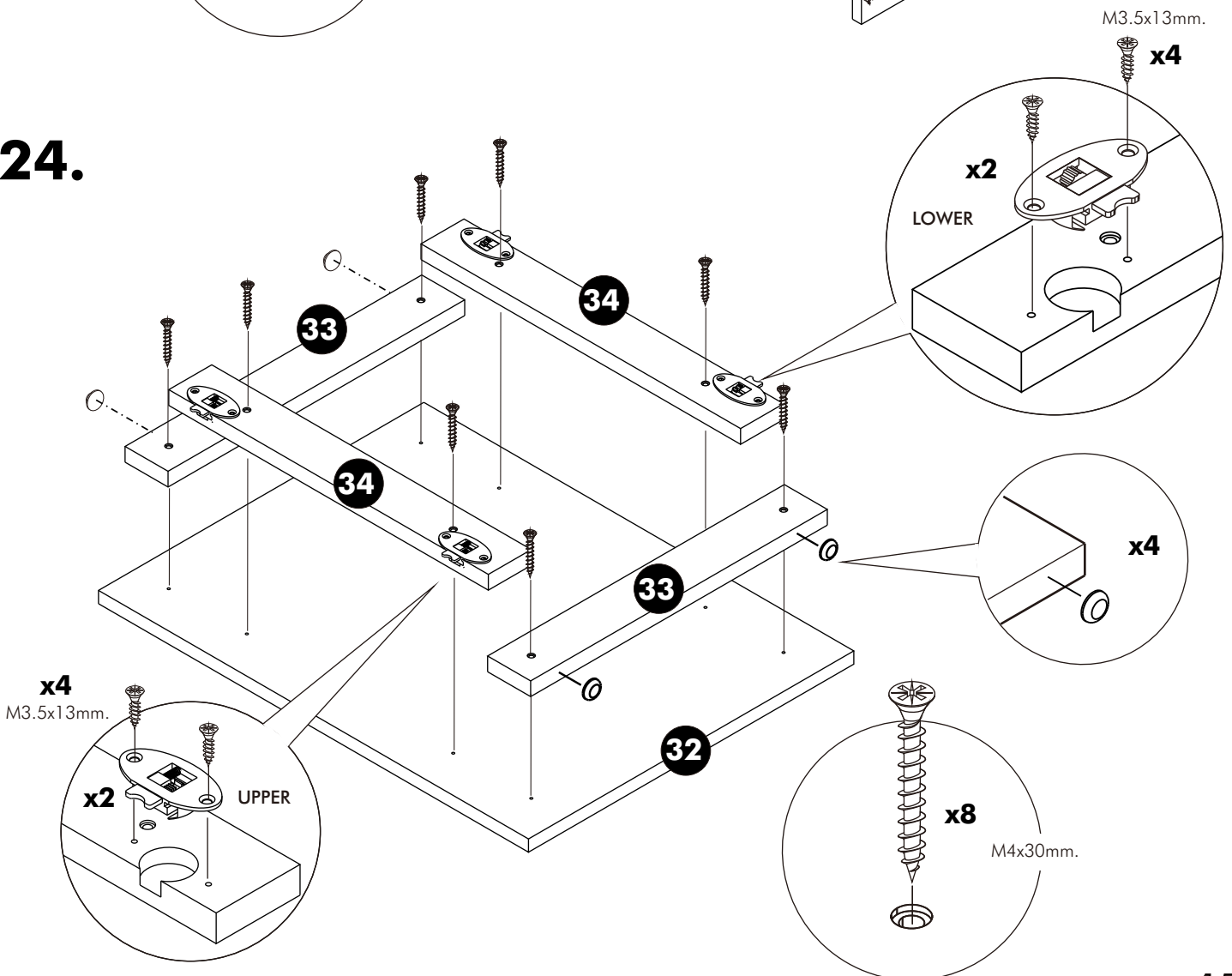
22.



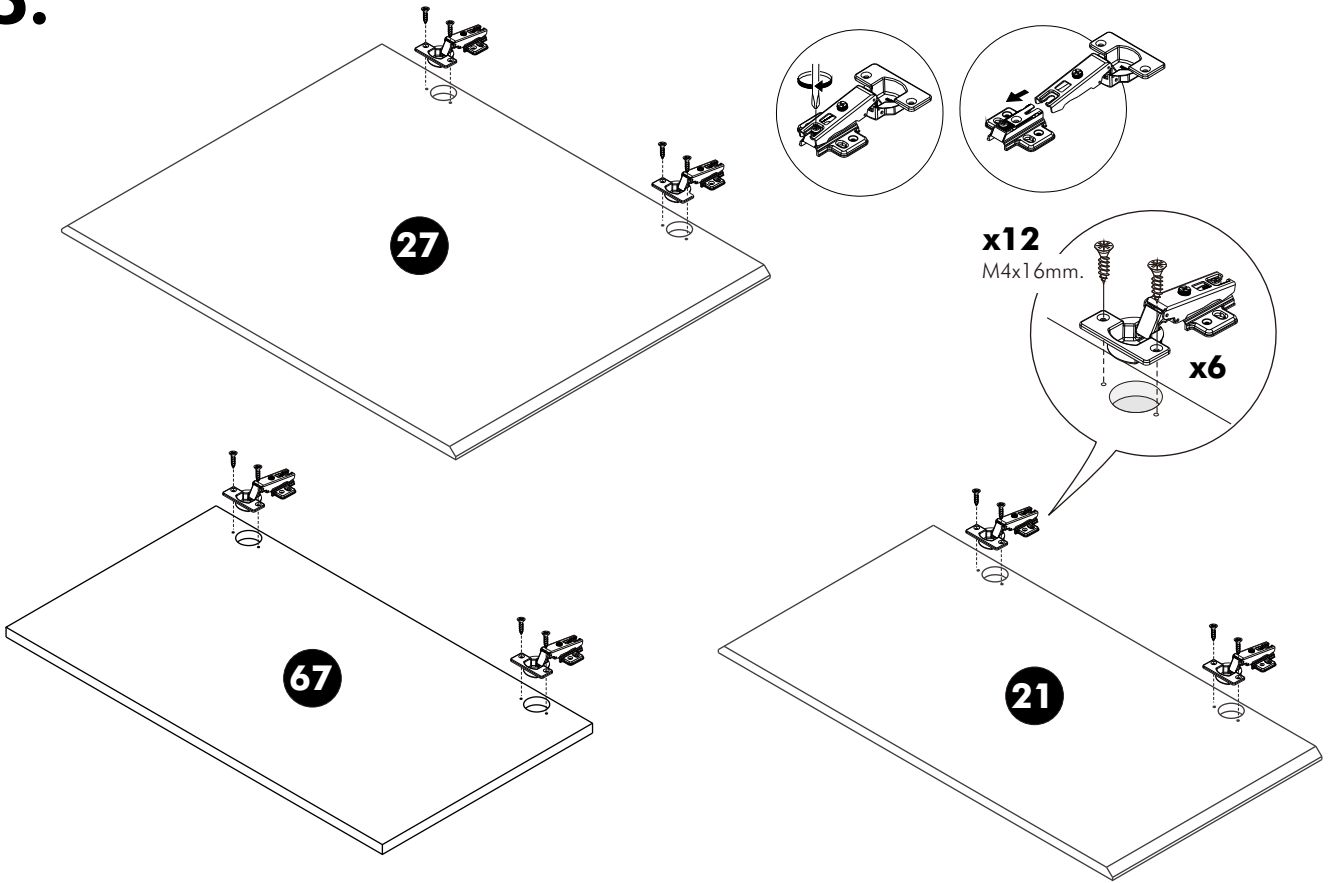
23.



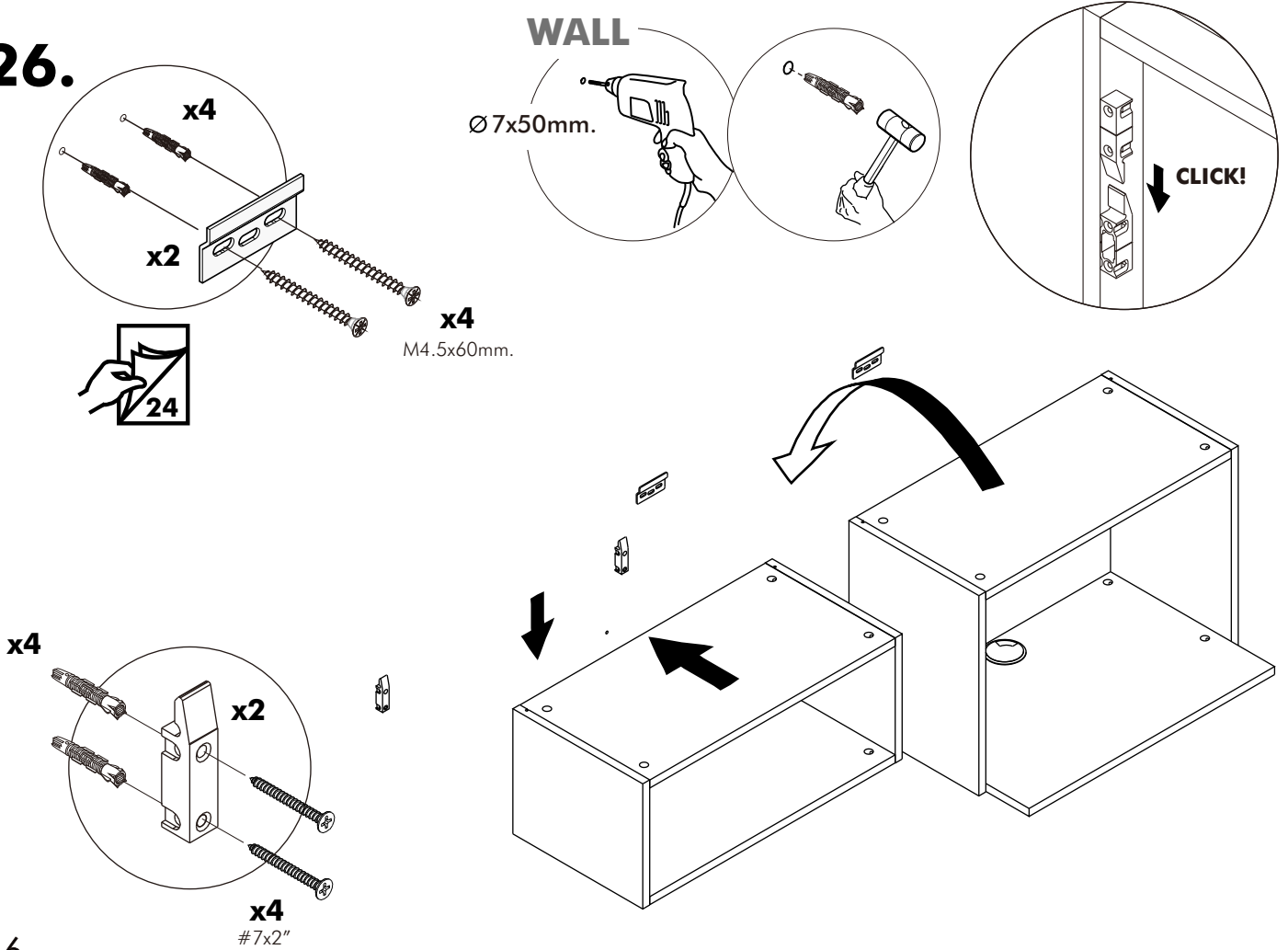
24.



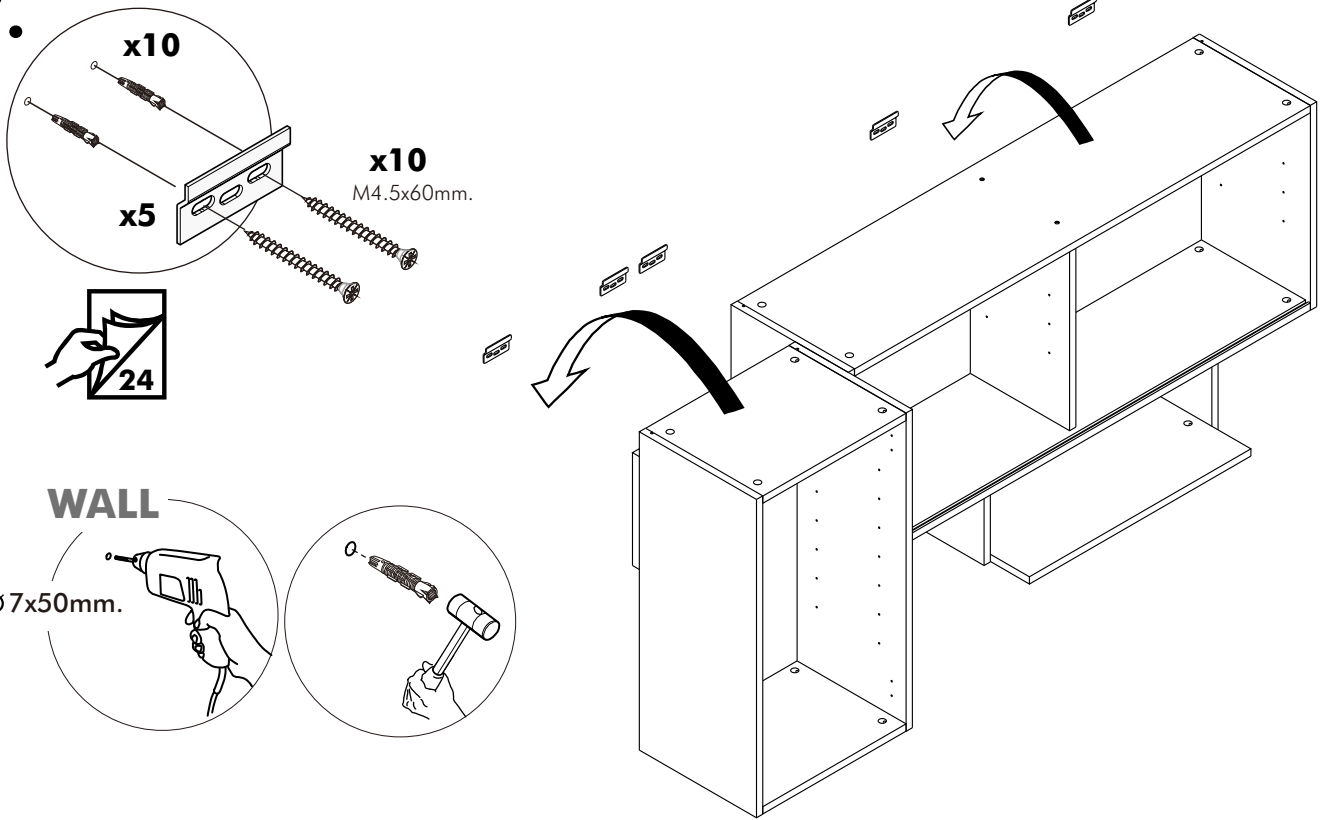
25.



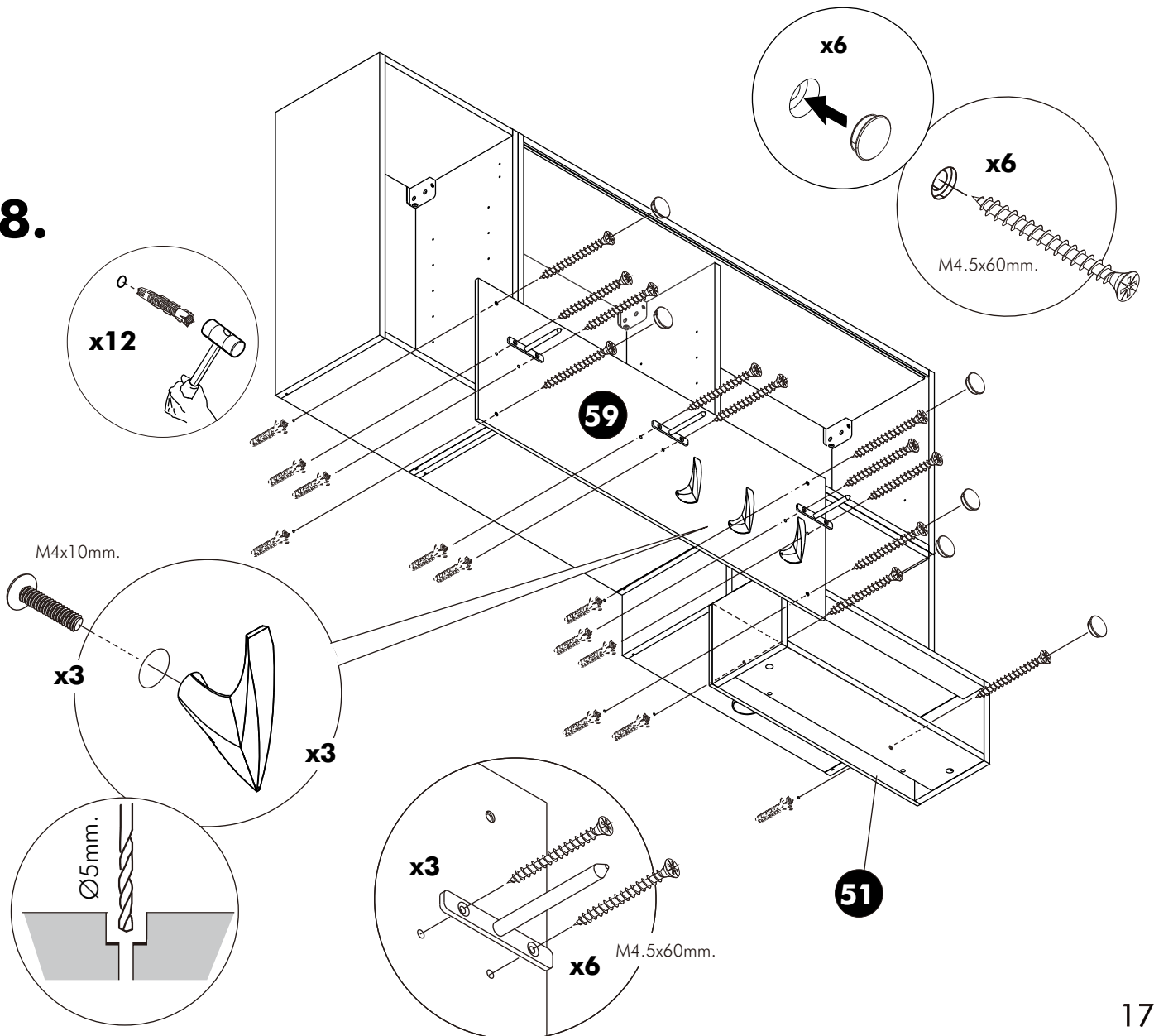
26.



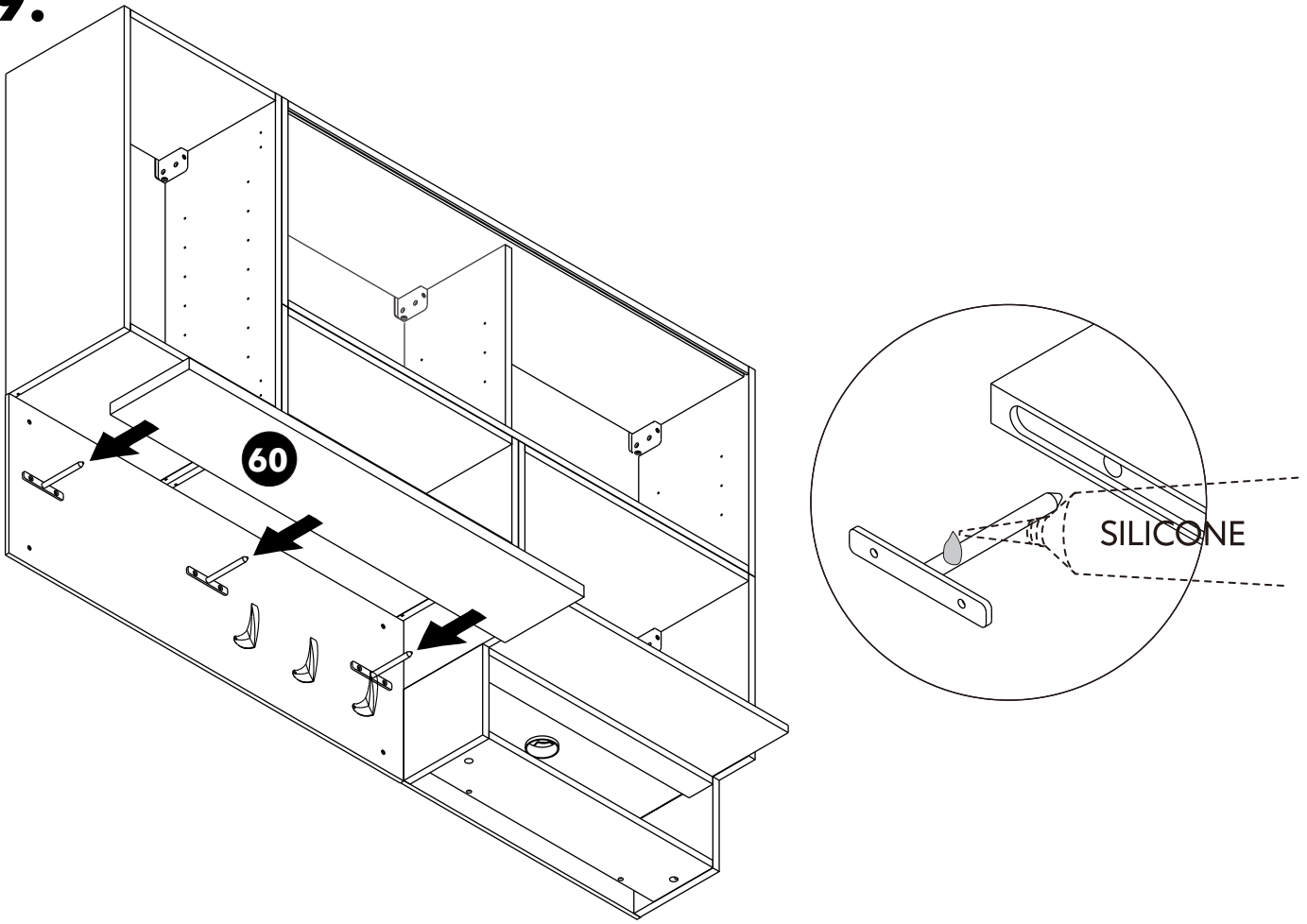
27.



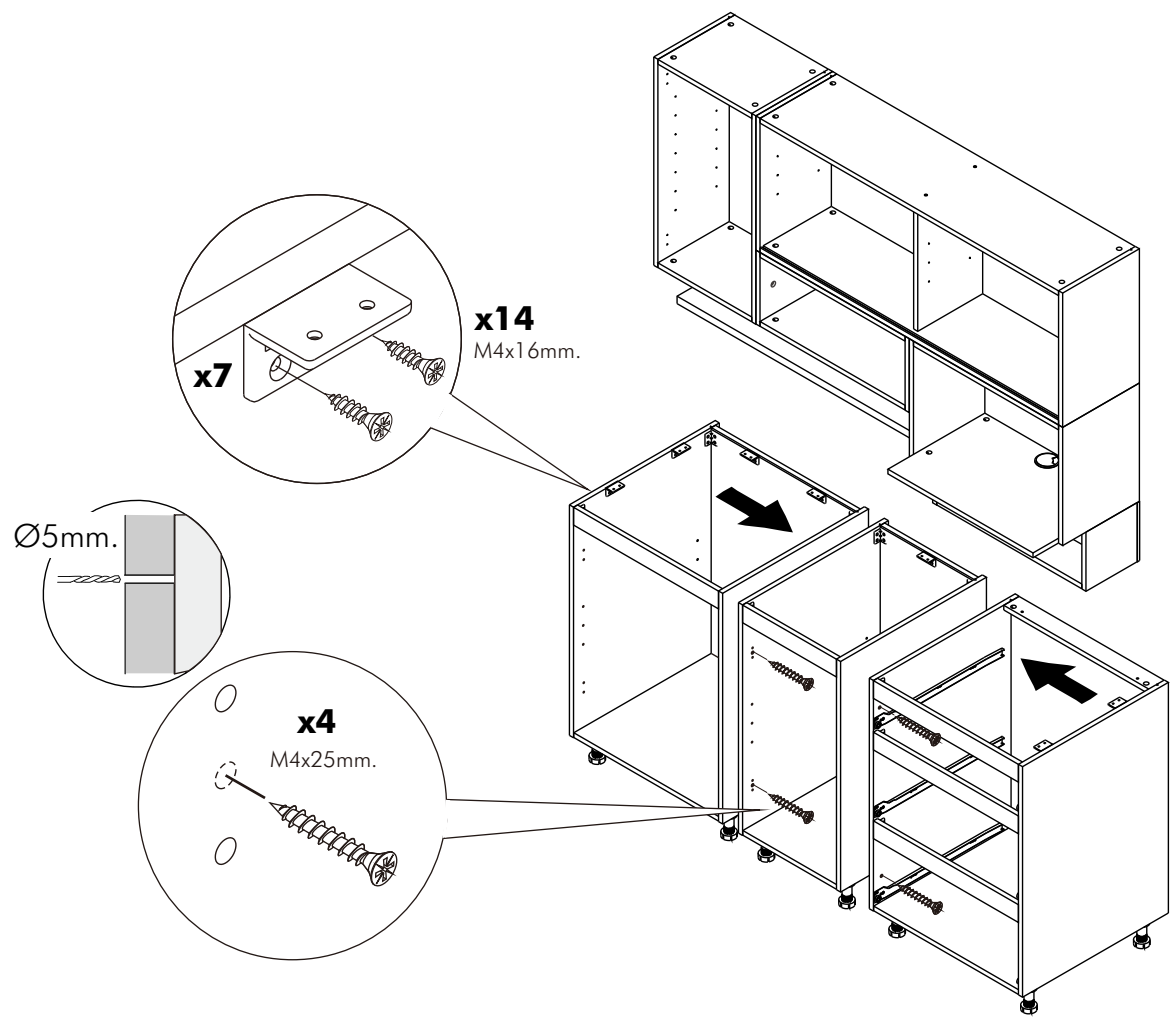
28.



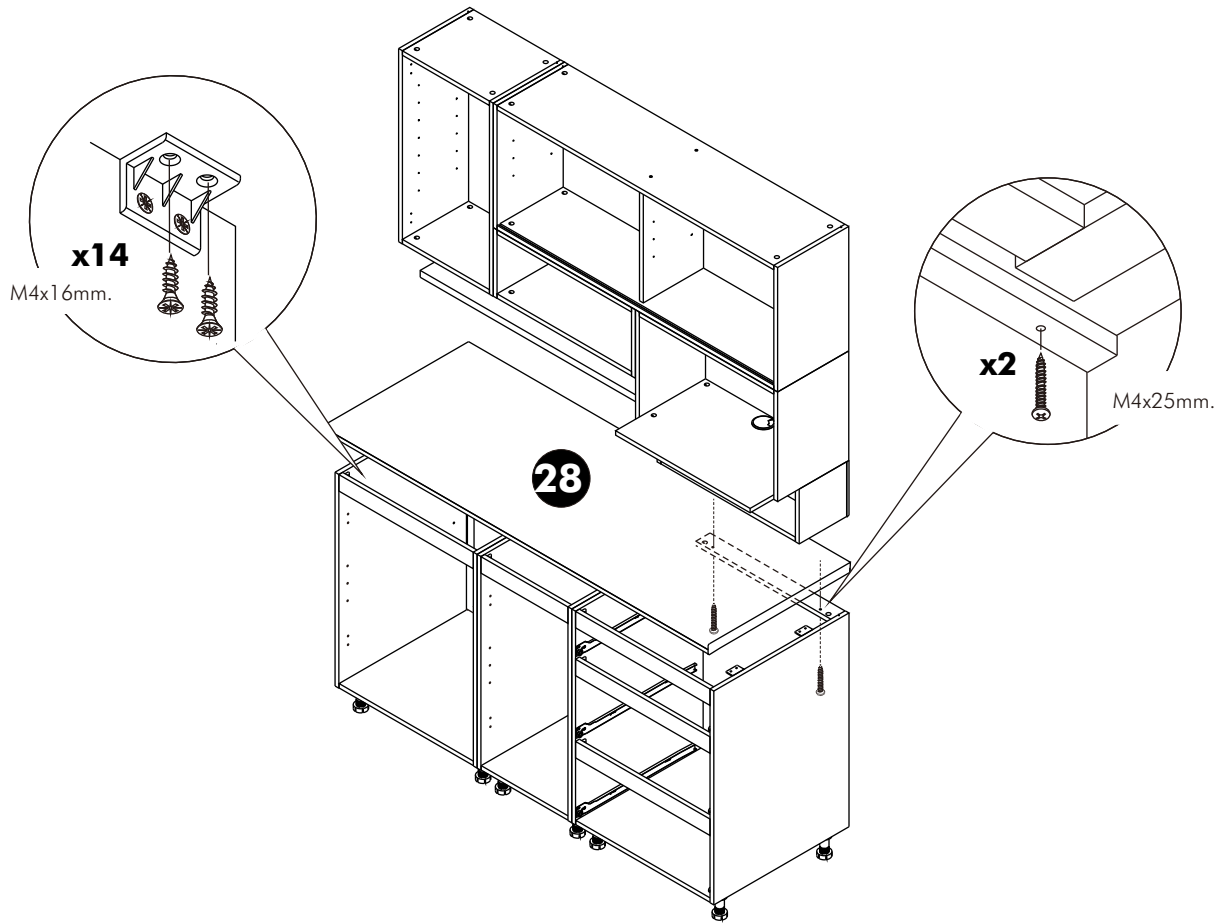
29.



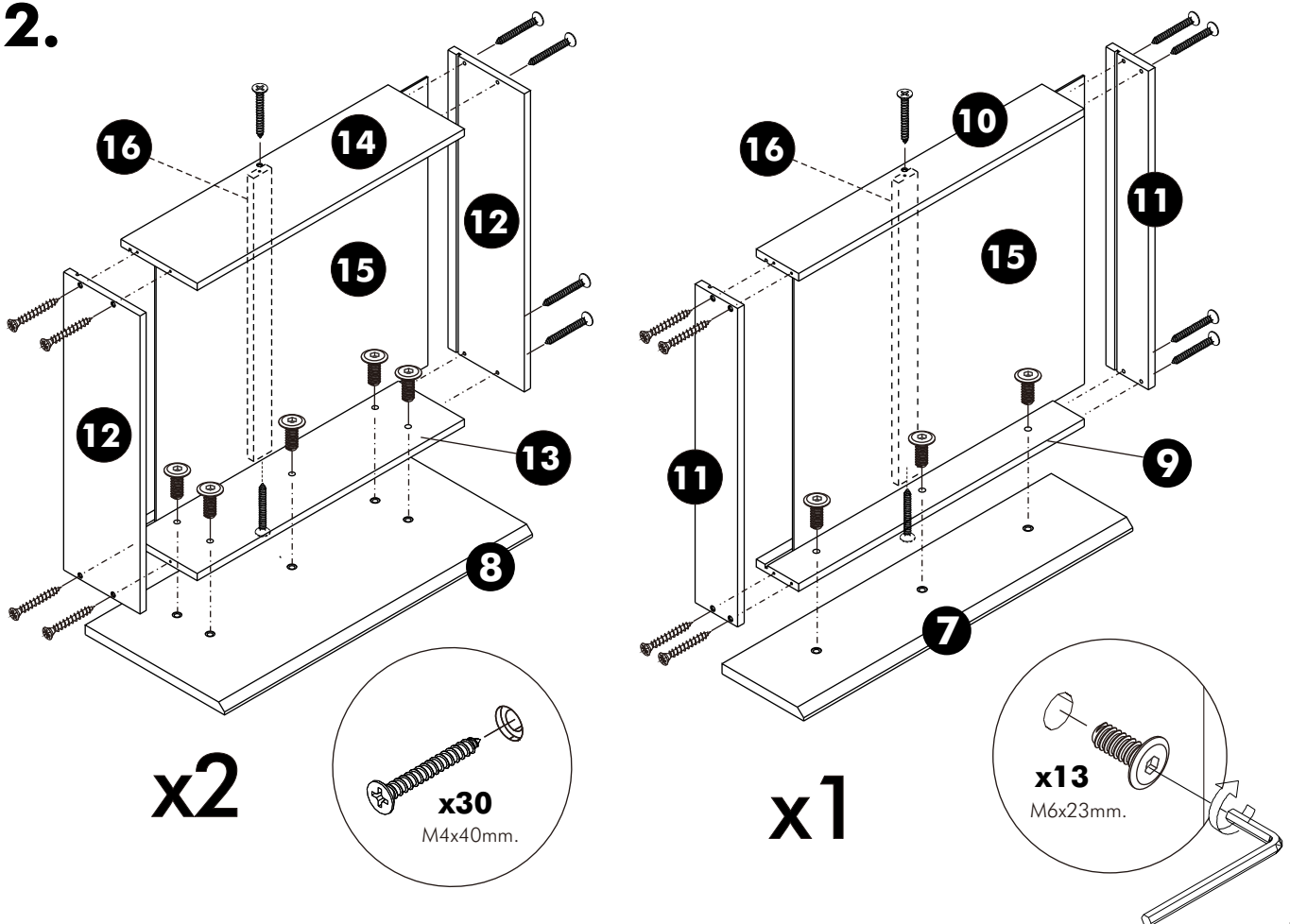
30.



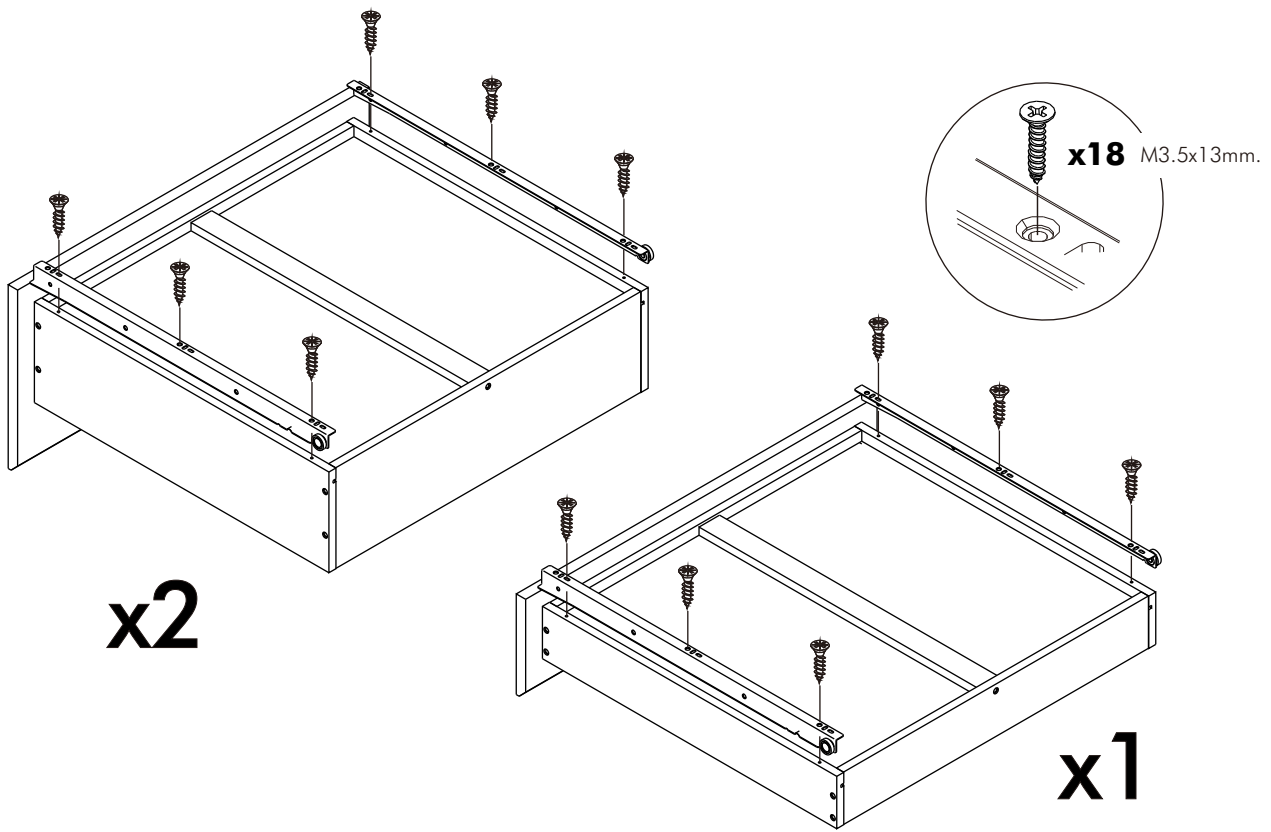
31.



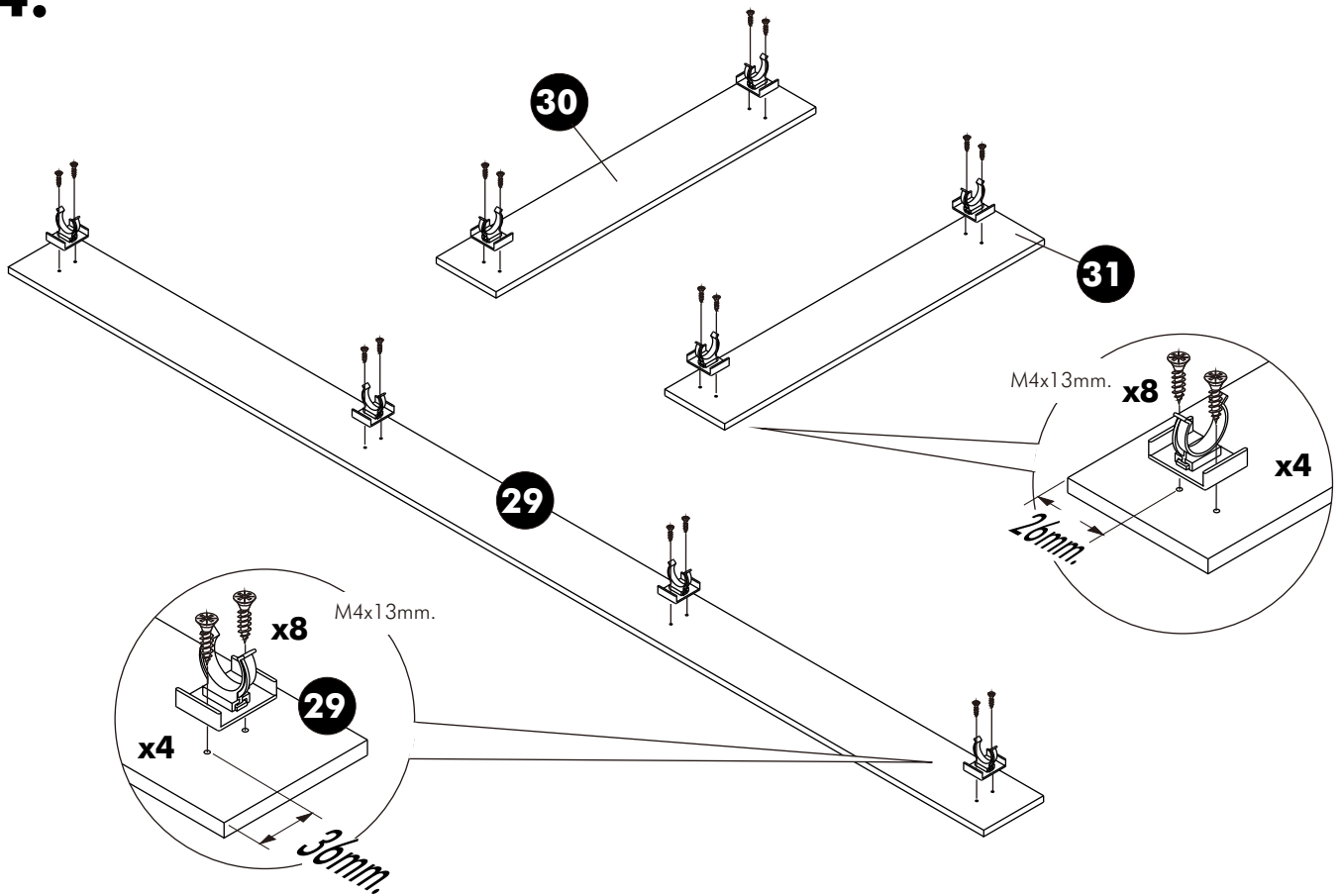
32.



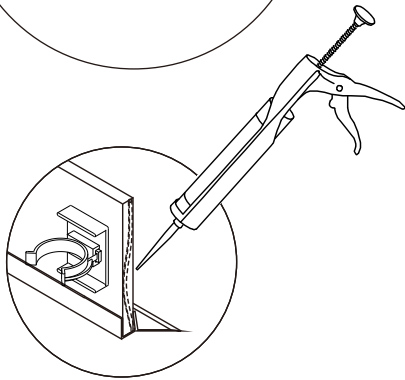
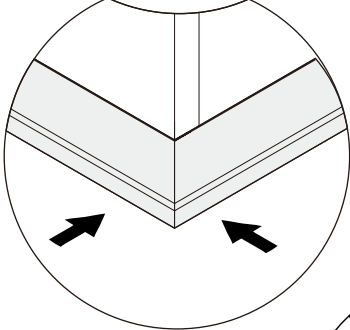
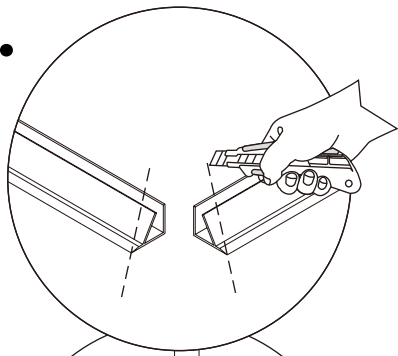
33.



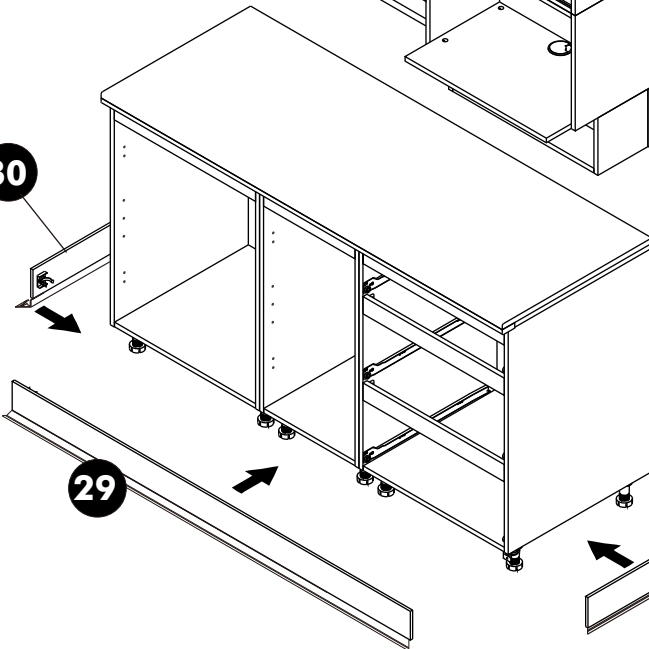
34.



35.



30

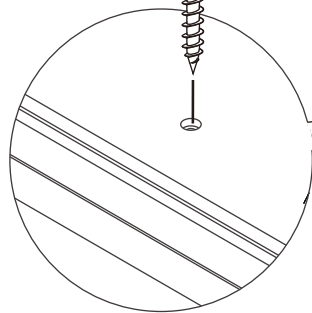


29

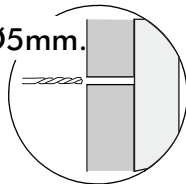
31

36.

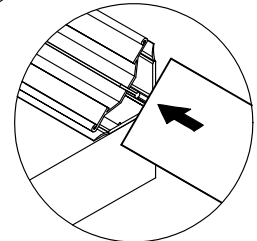
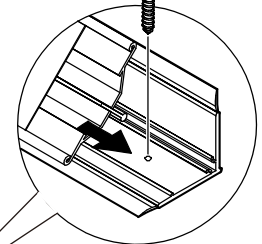
x2
M4x25mm.



Ø5mm.



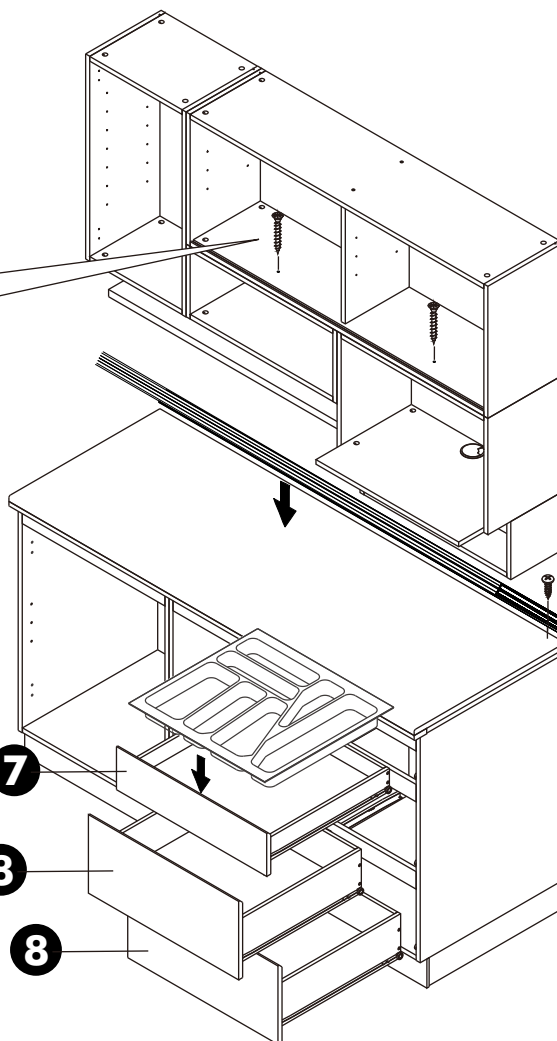
x5
M3.5x13mm.



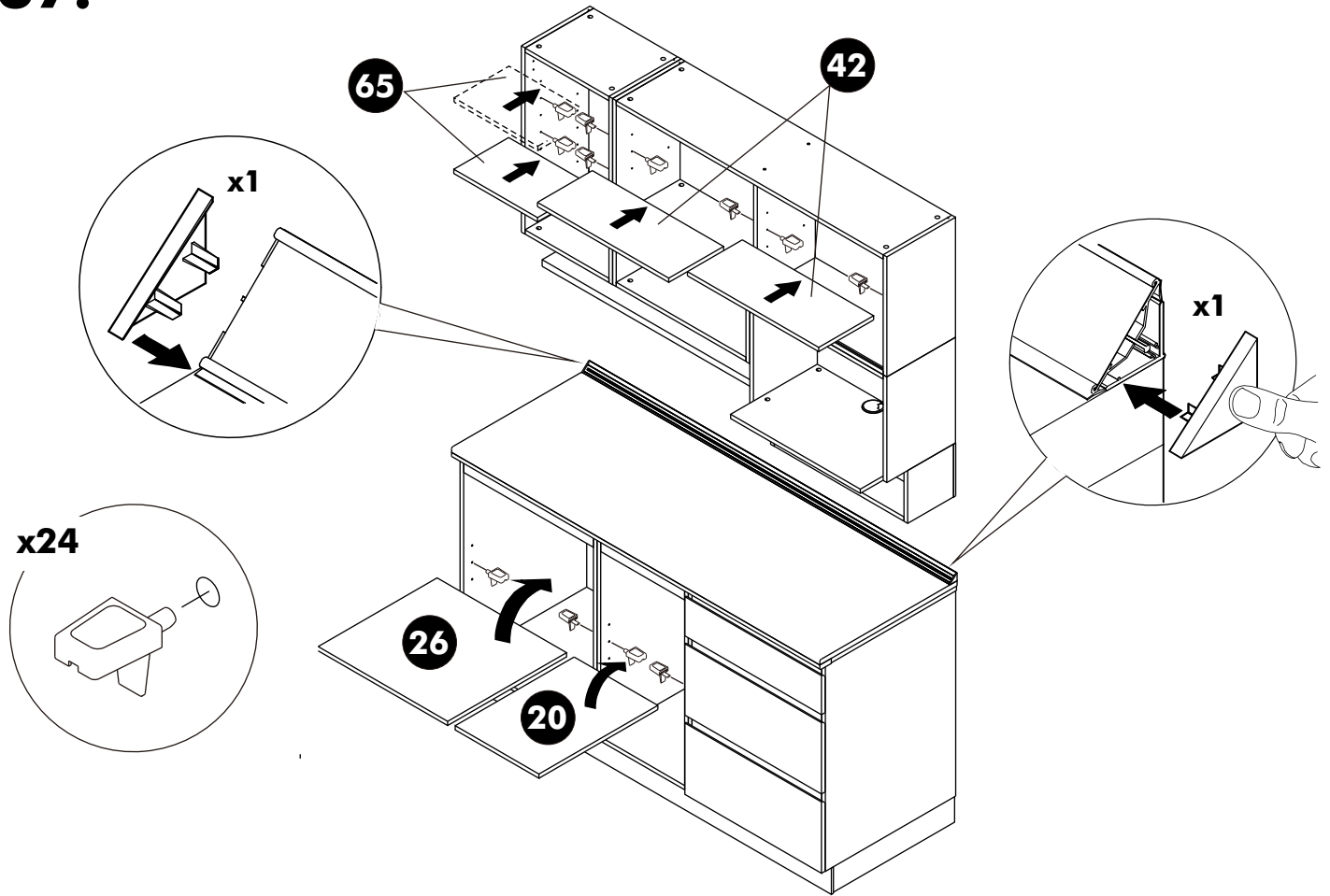
7

8

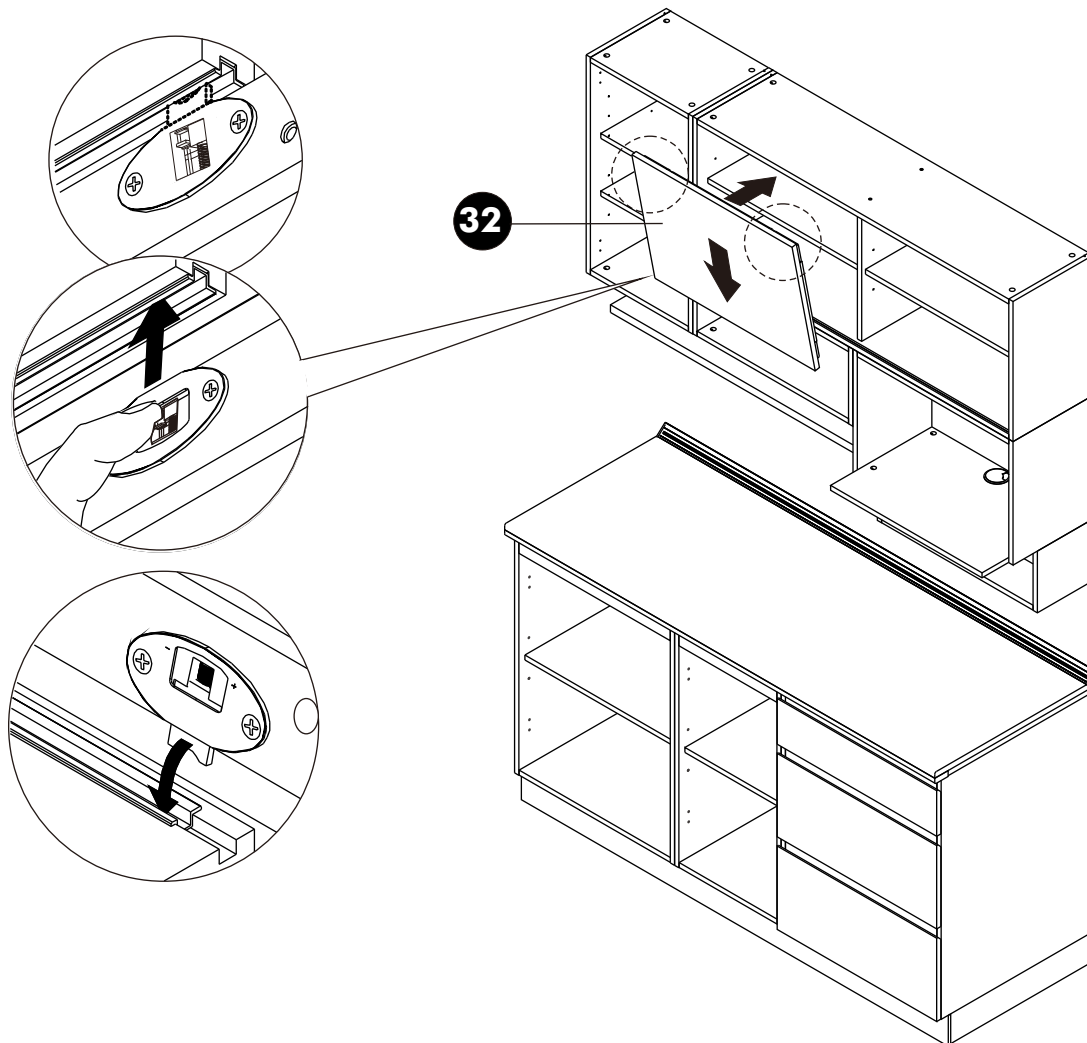
8



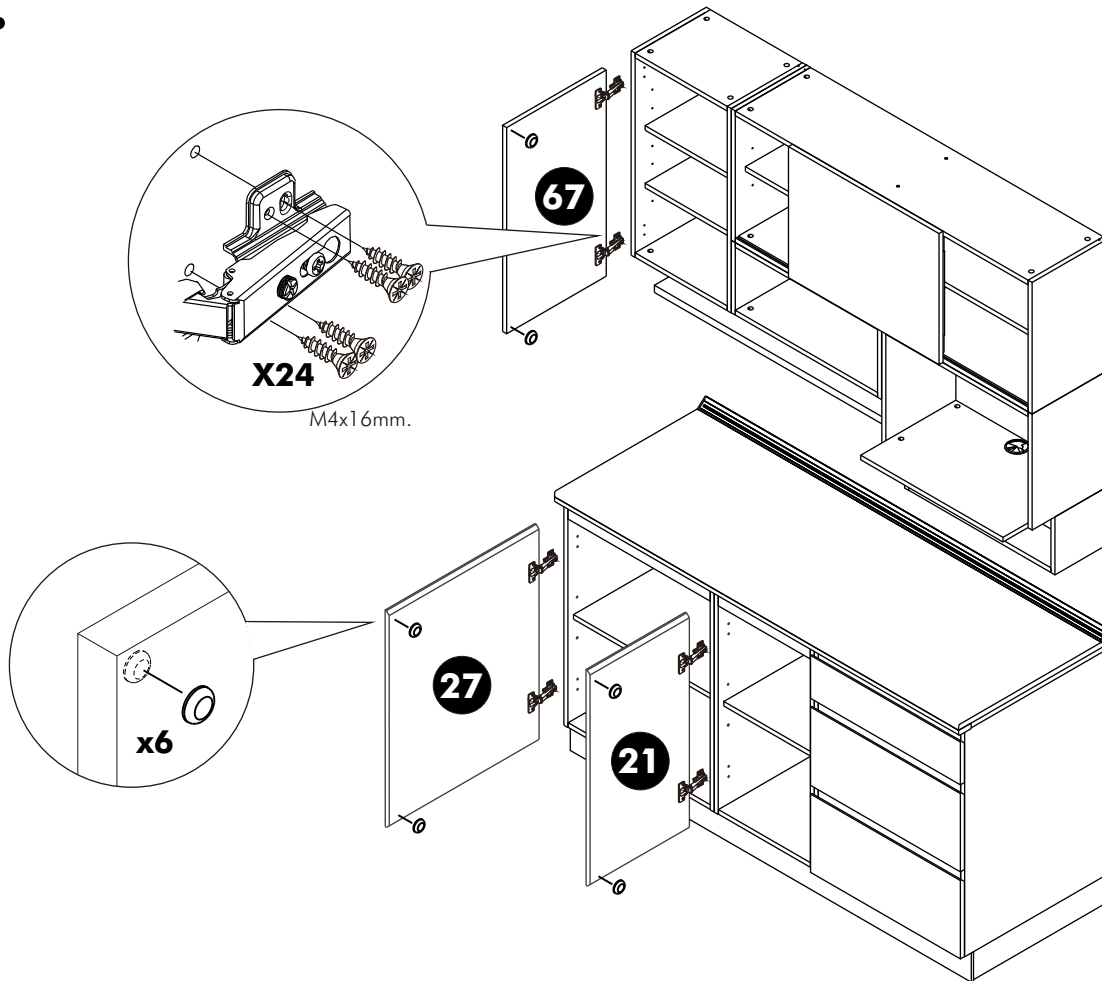
37.



38.



39.



40.

