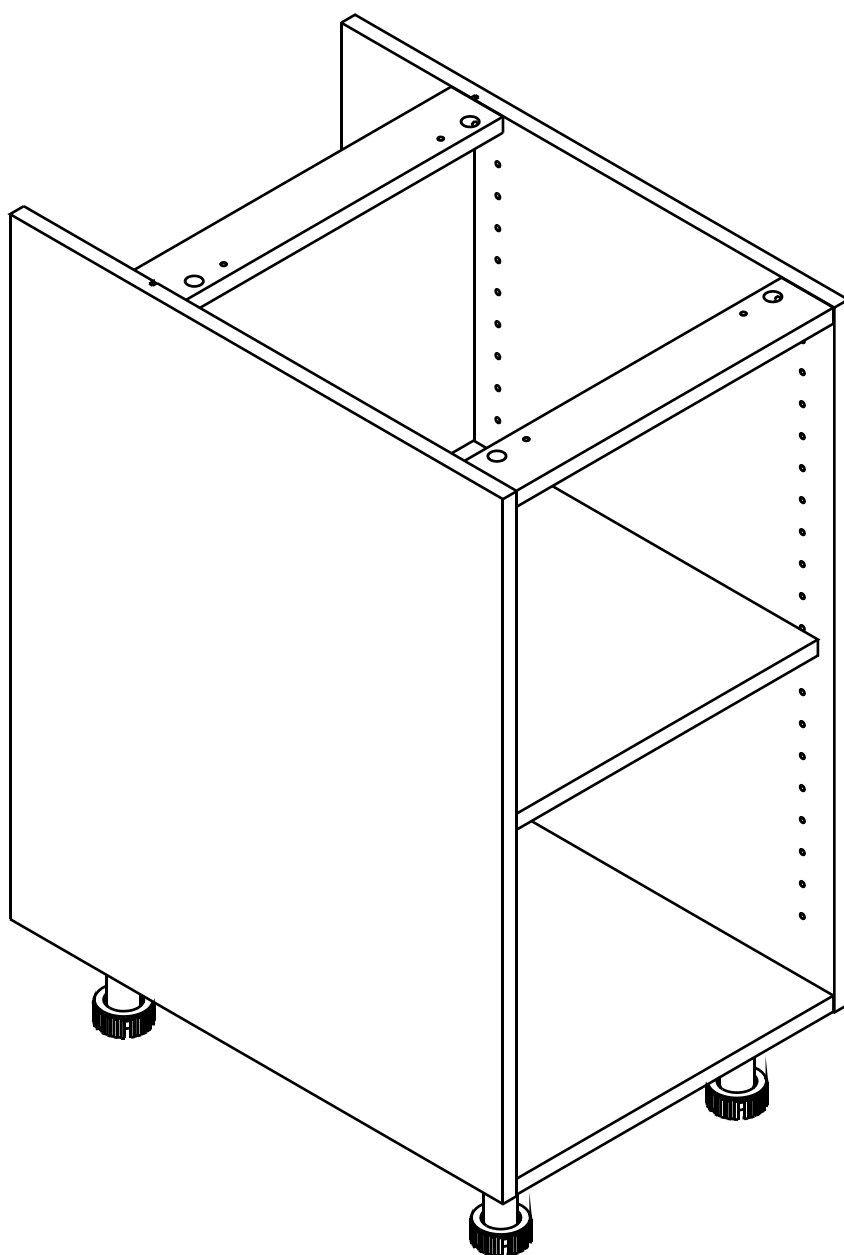


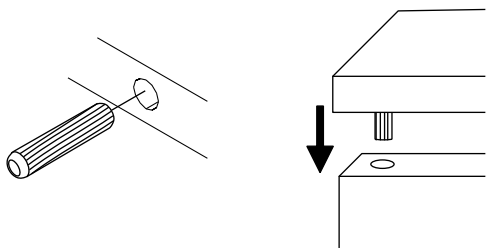
SMART KIT

Adj.Base Cabinet 40

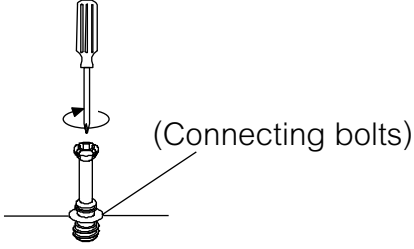


CONNECT SYSTEM

1

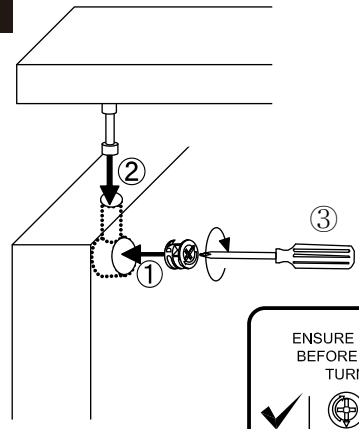


2





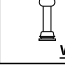



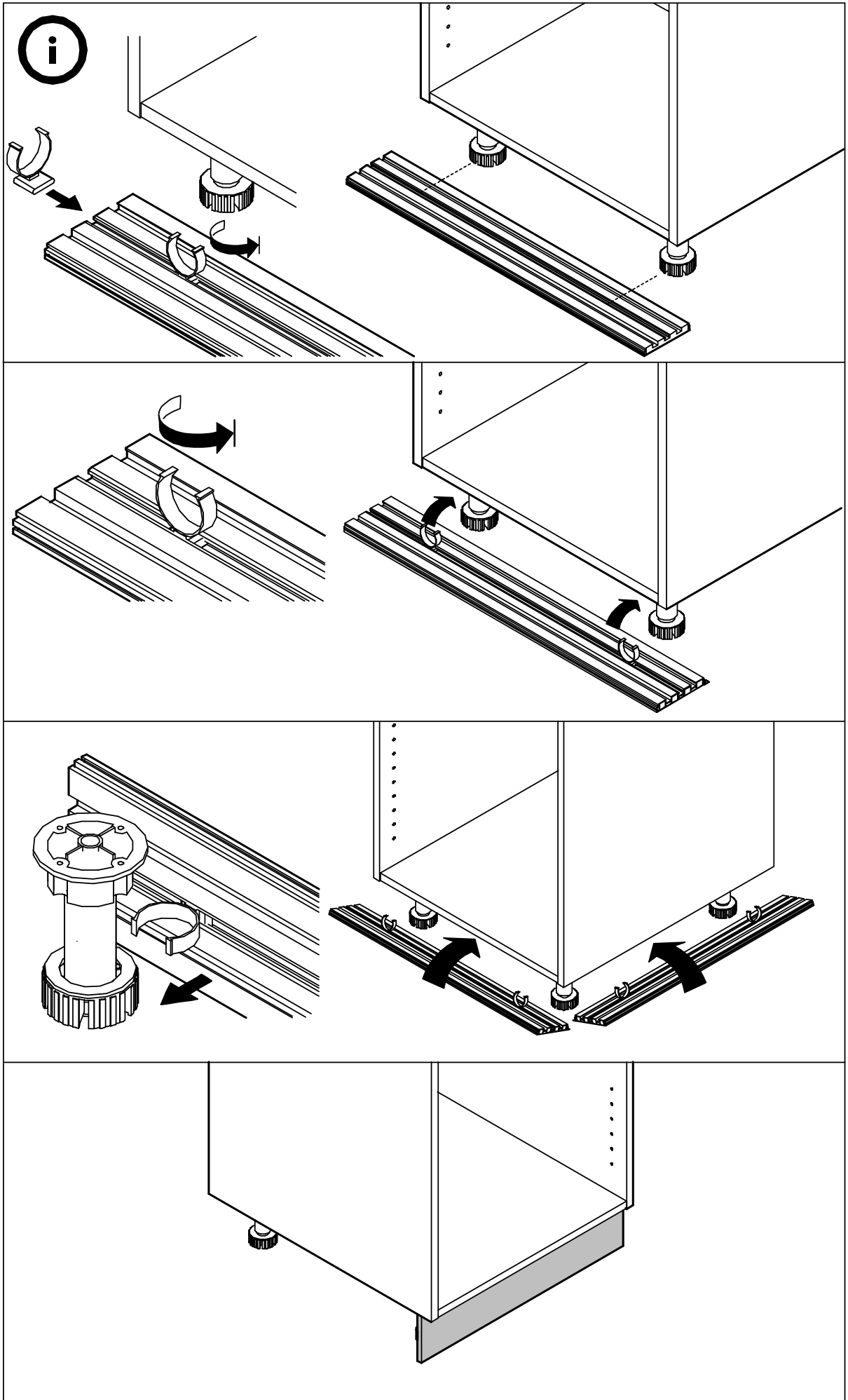
(Connecting bolts)

3



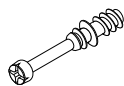
WHEN FITTING CAMS
ENSURE STARTING POSITION IS CORRECT
BEFORE YOU INSERT CONNECTING BOLT
TURN CLOCKWISE UNTIL SECURE

✓				✗
				
	CORRECT	WRONG		



HARDWARE

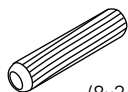
-BODY SET



x 8



x 8



(8x35)

x 10



M4x30mm.

x 8

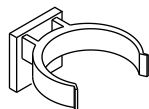


M4x16mm.

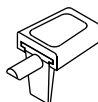
x 16



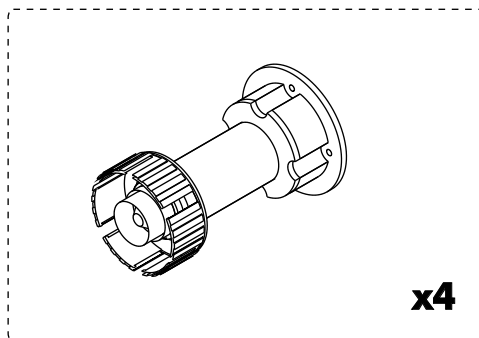
x 4



x 2

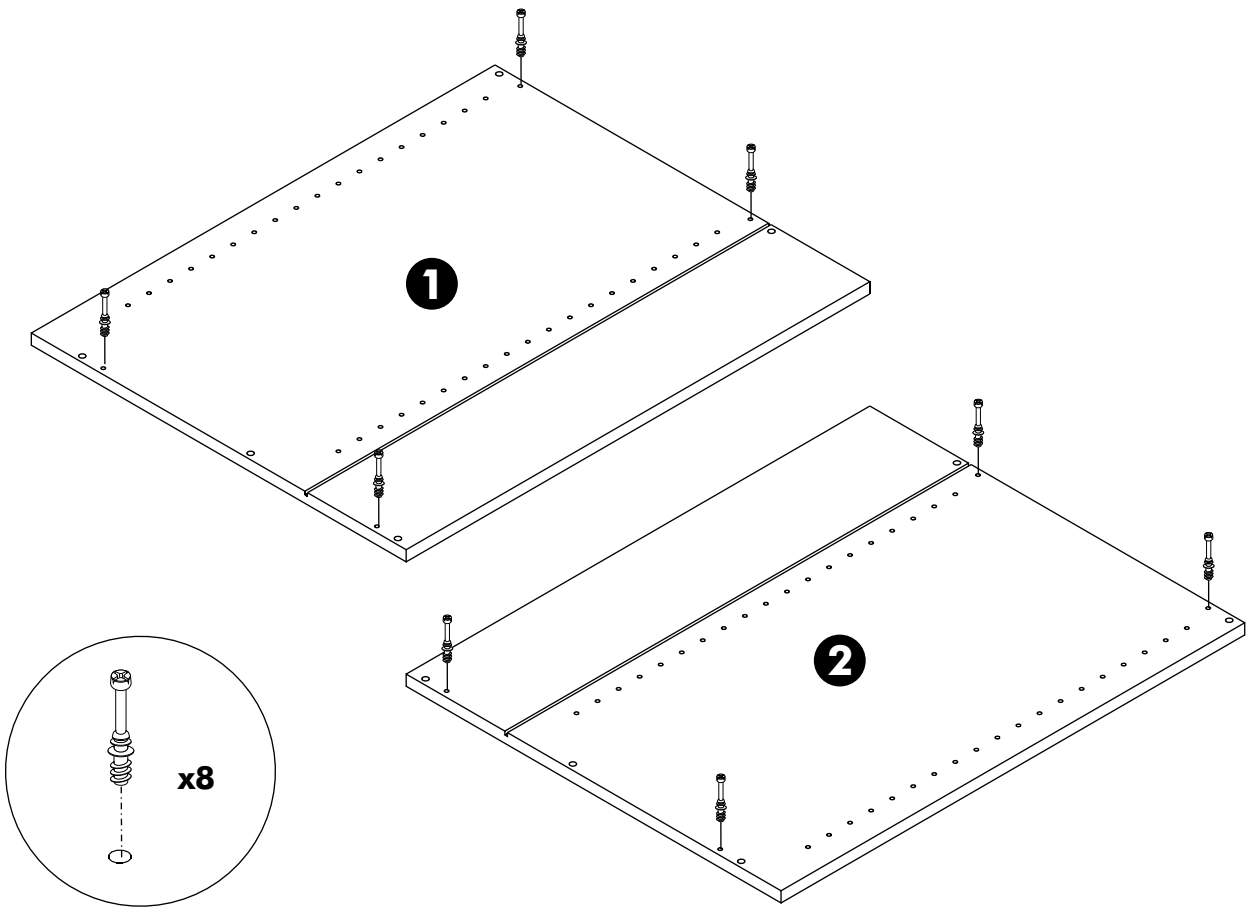


x 4

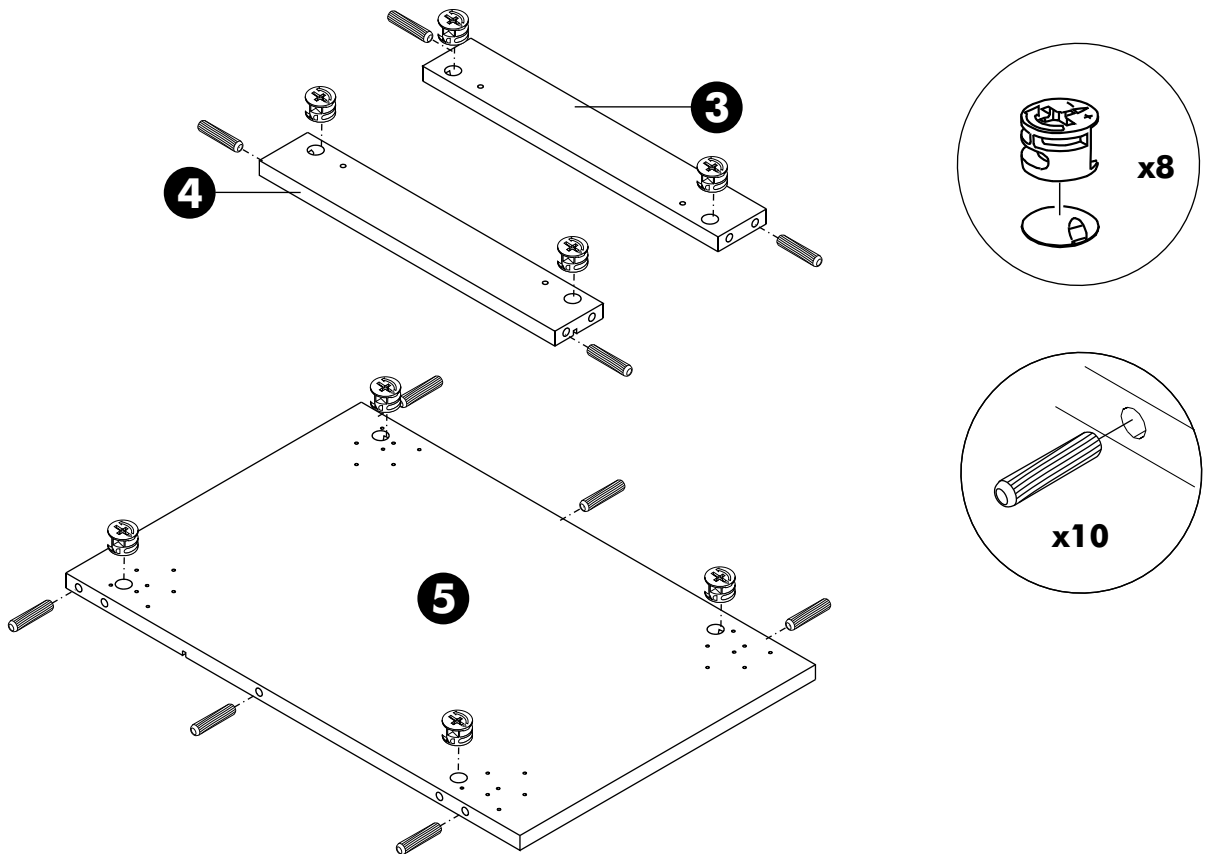


x4

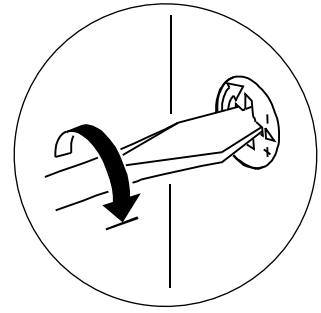
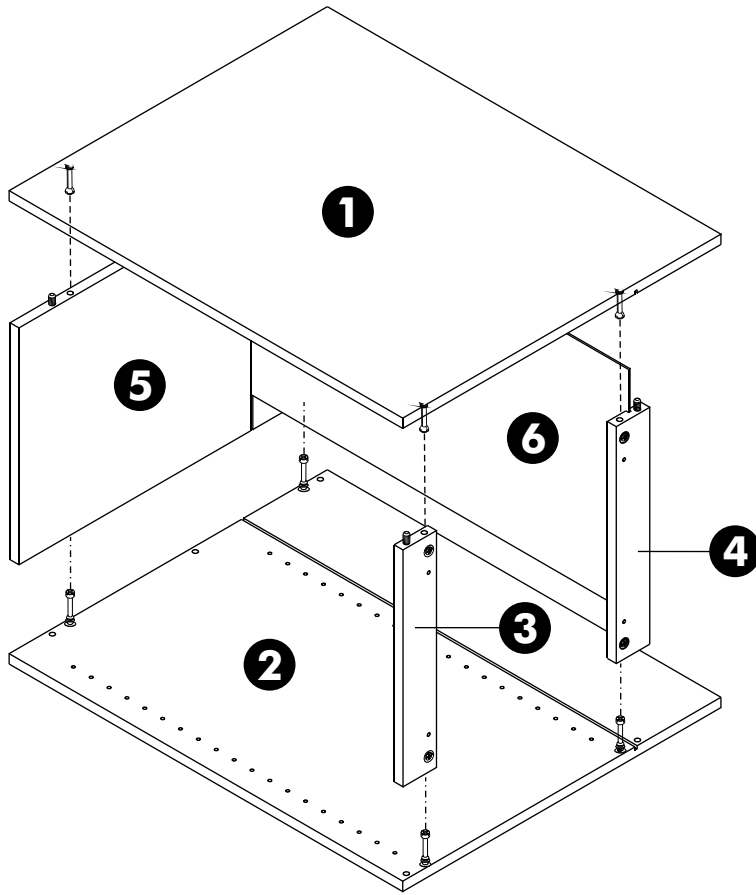
1.



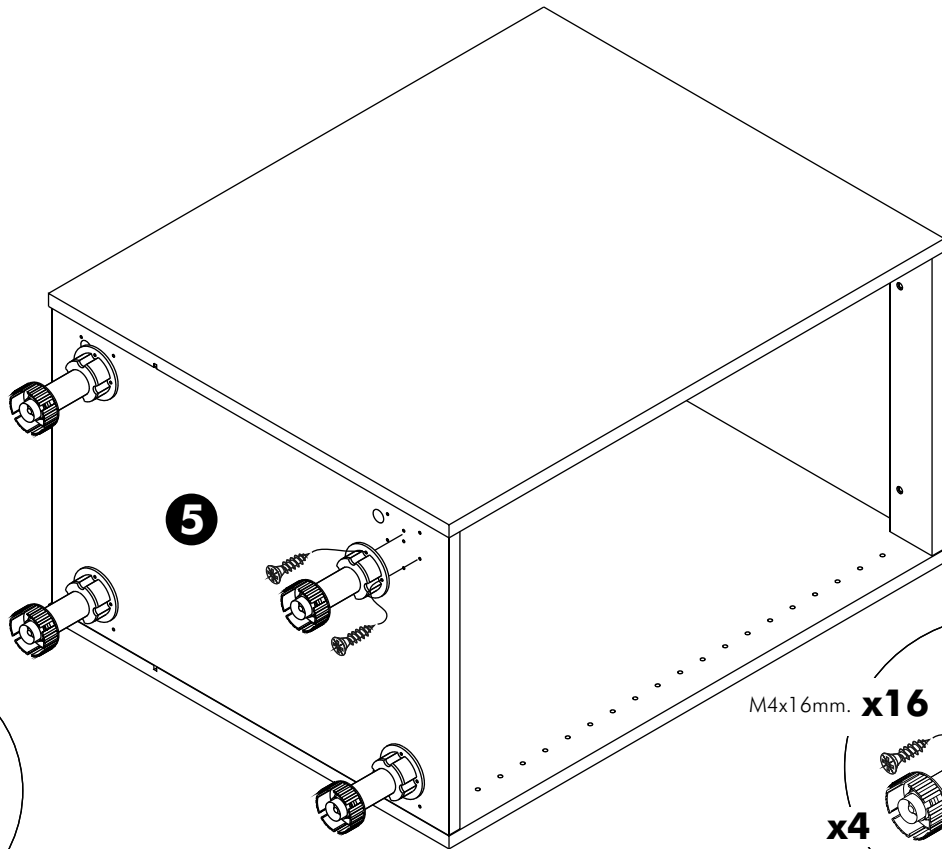
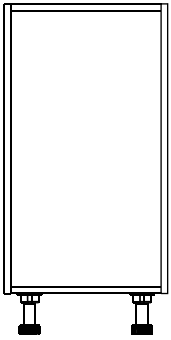
2.



3.



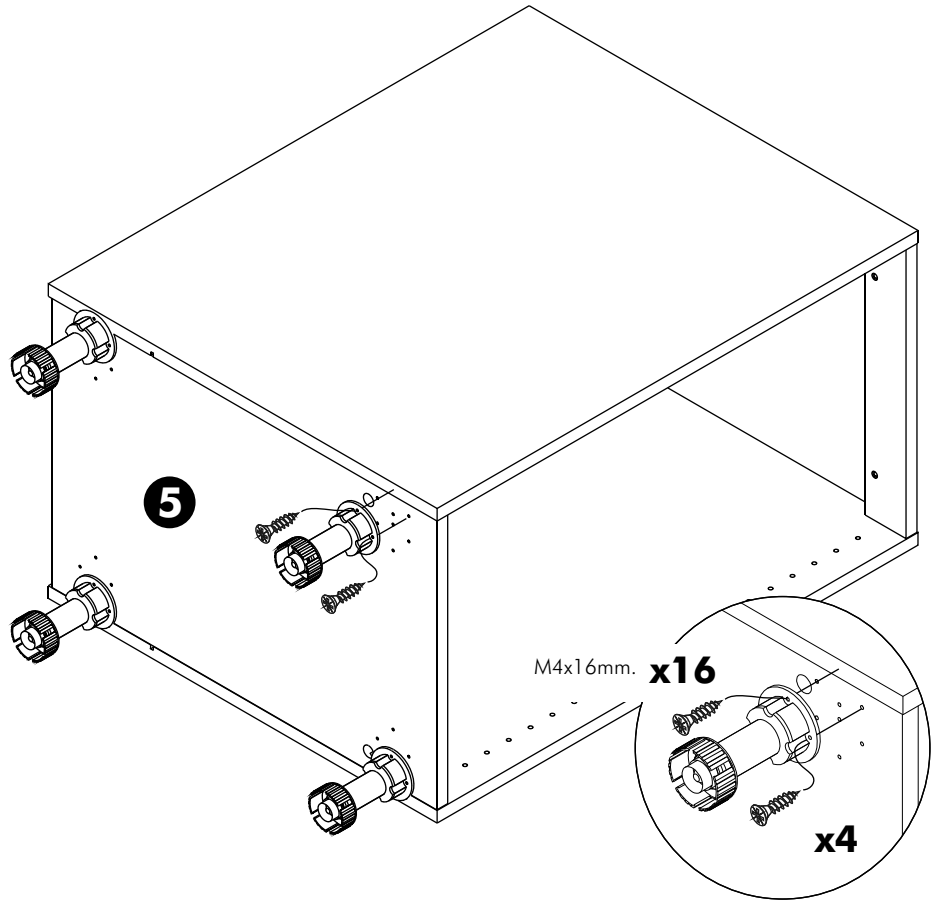
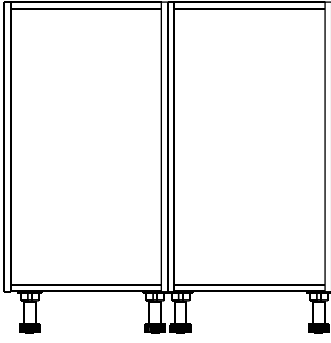
4.(A)



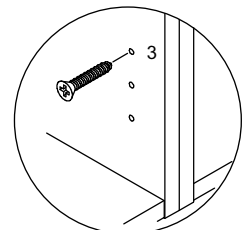
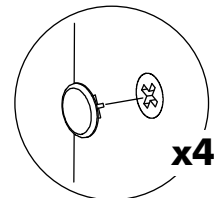
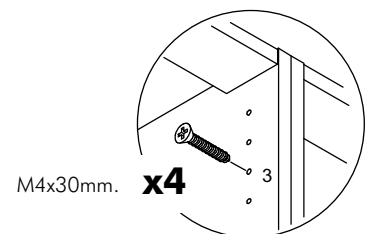
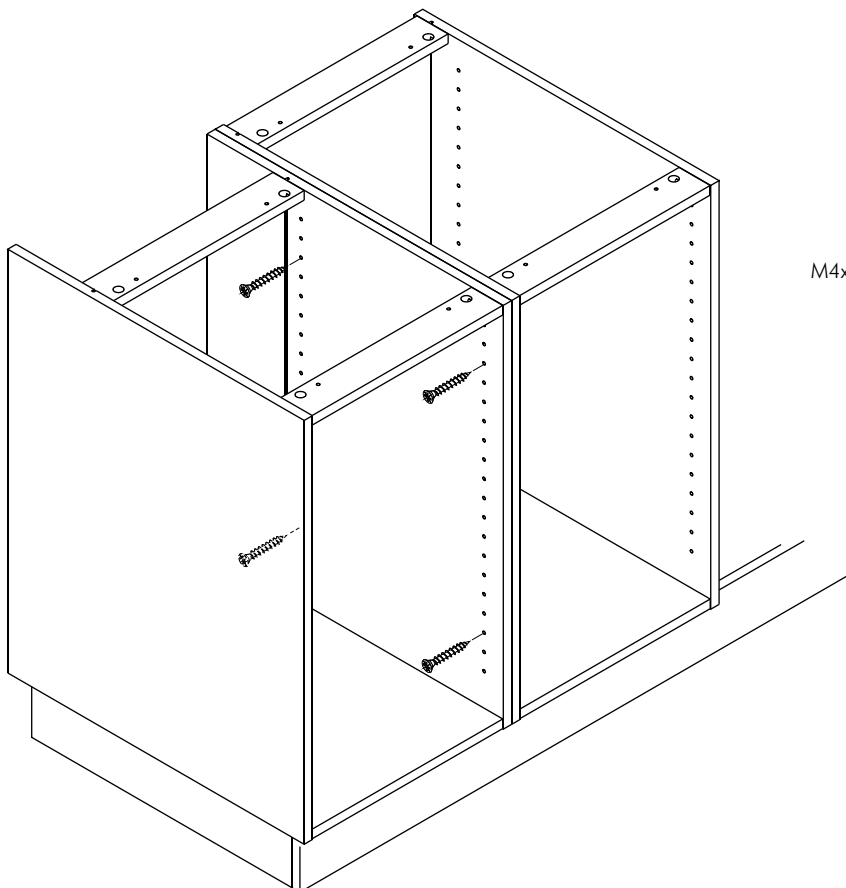
M4x16mm. x16

x4

4.(B)



5.



6.

