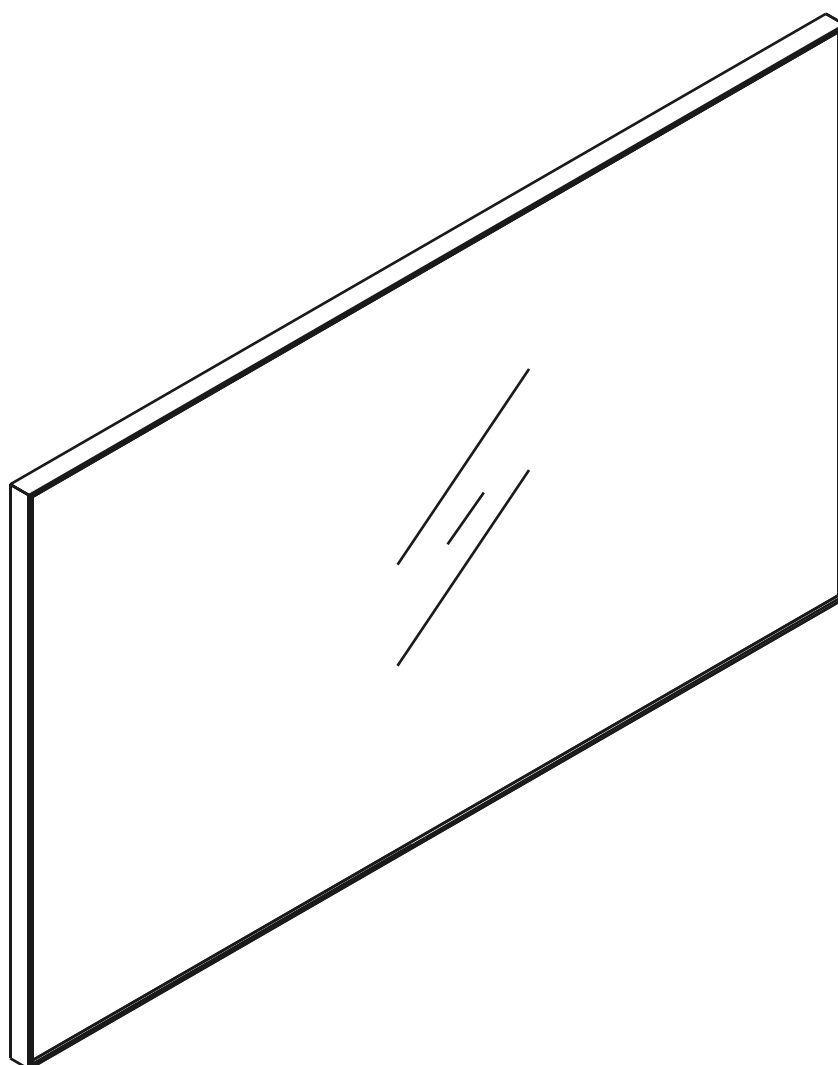


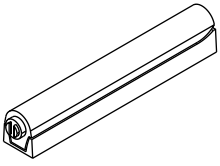
# SMART KIT

**Door front 80-45**

**Door front 100-45**



# HARDWARE



**x 1**



**x 1**



#5x5/8"

**x 2**



#5x1/2"

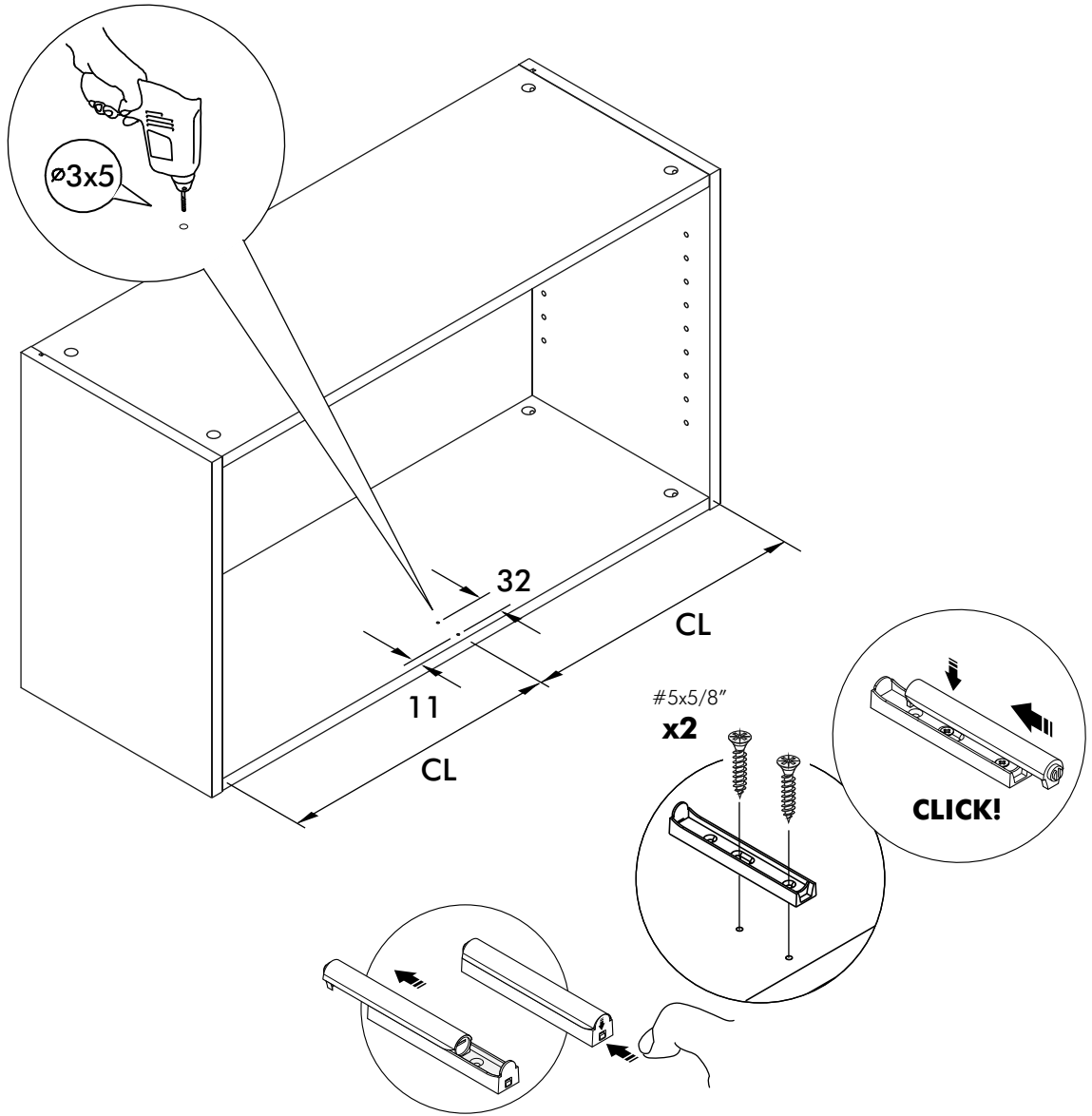
**x 1**



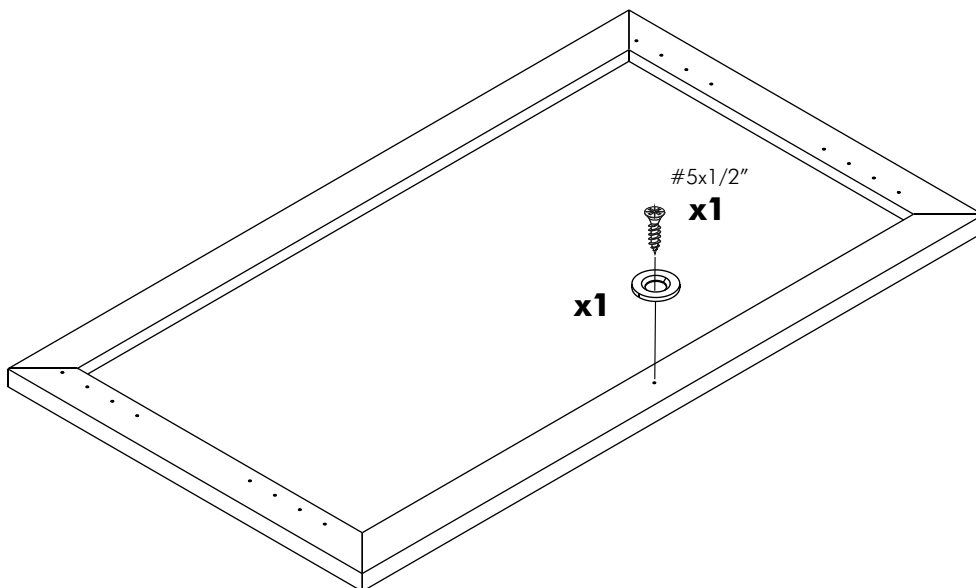
M4x16mm.

**x 8**

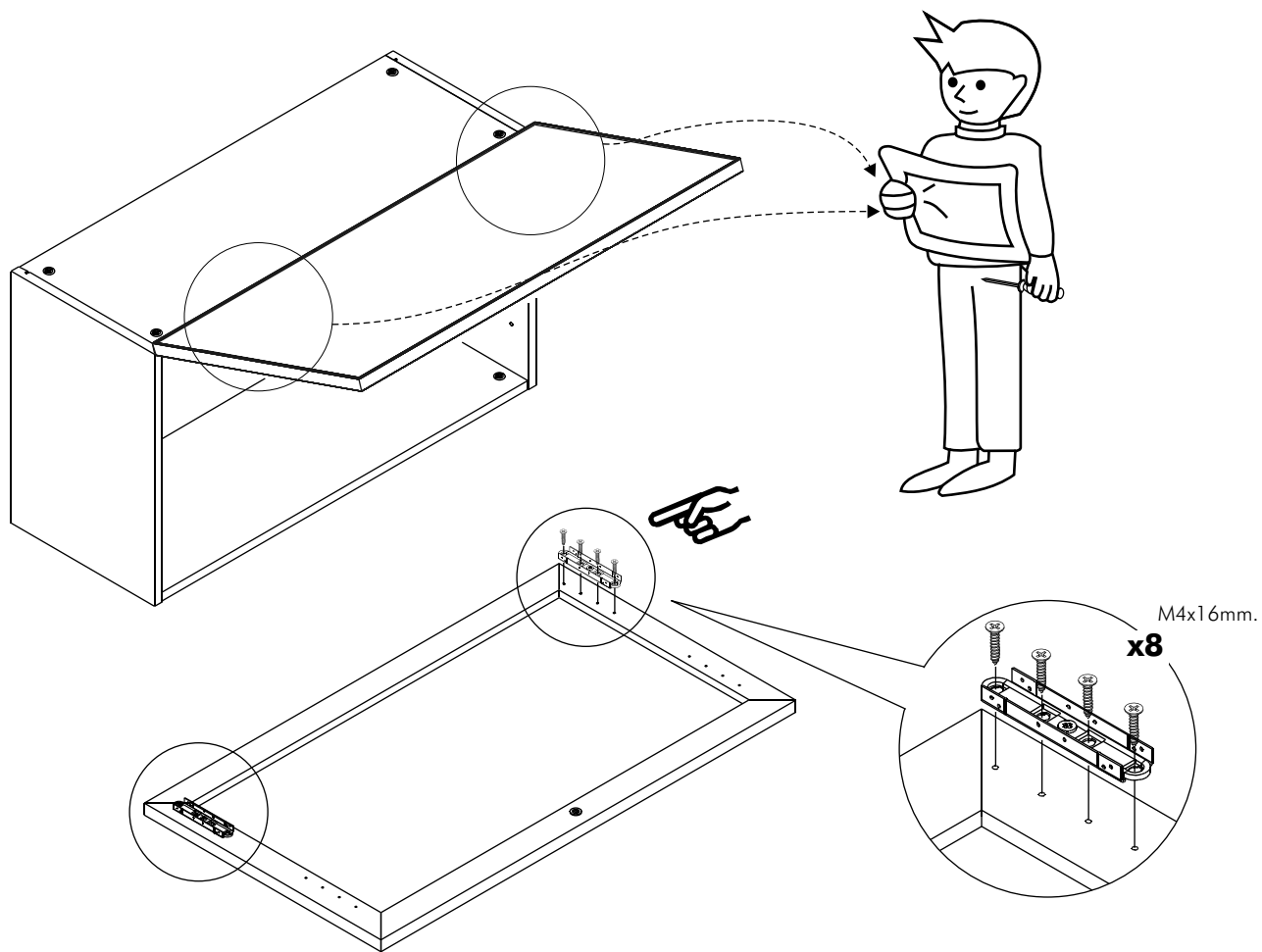
1.



2.



### 3. Free Flap 3.15 D



### 3. Free up

