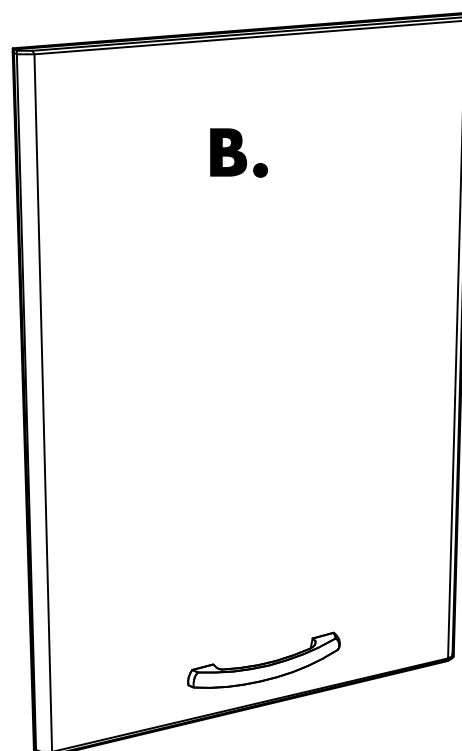
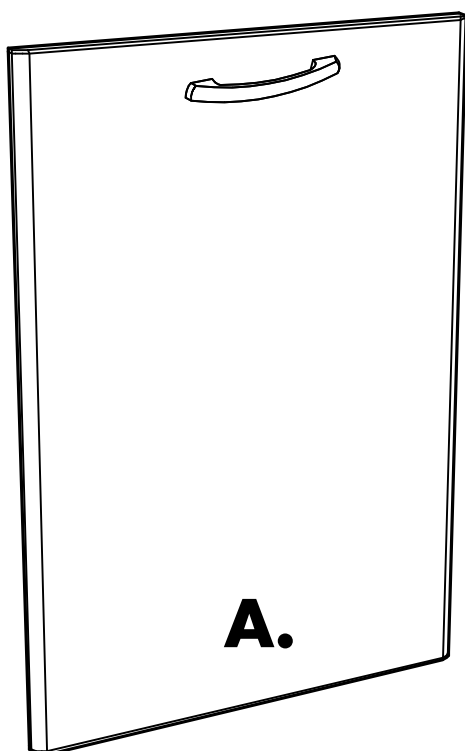


# RICOTTA

**Door for base / wall cabinet 50-70**

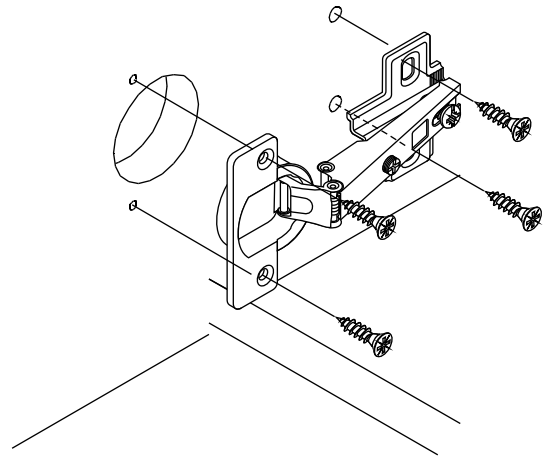
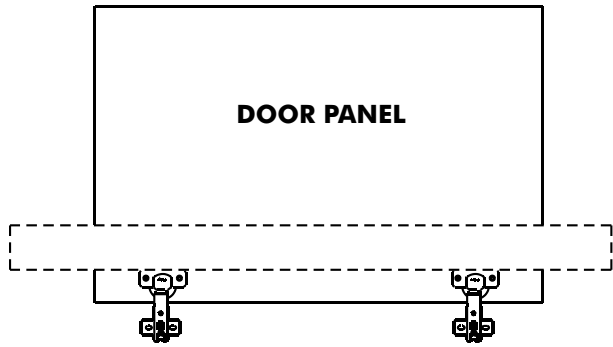
**Door for base / wall cabinet 60-70**



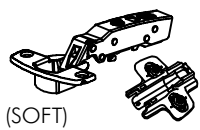
# CONNECT SYSTEM



M4x16mm.



# HARDWARE



(SOFT)

**x 2**



M4x16mm.

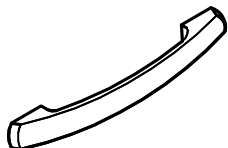
**x 4**



**x 4**



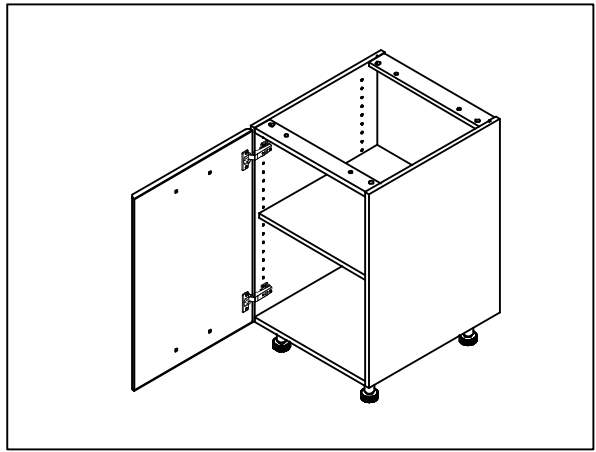
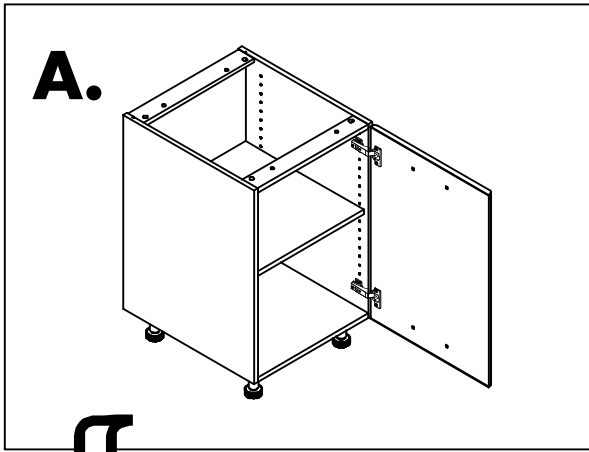
**x 2**



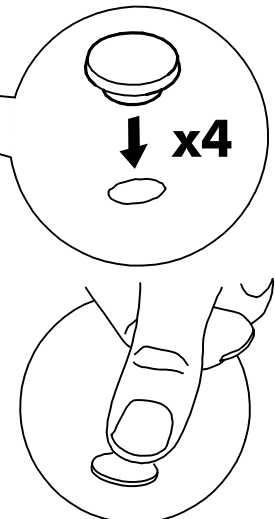
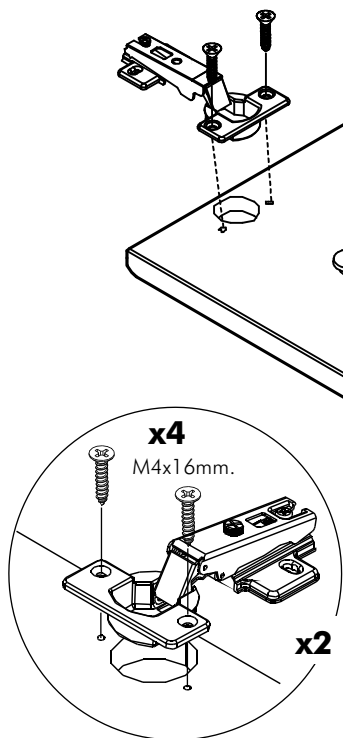
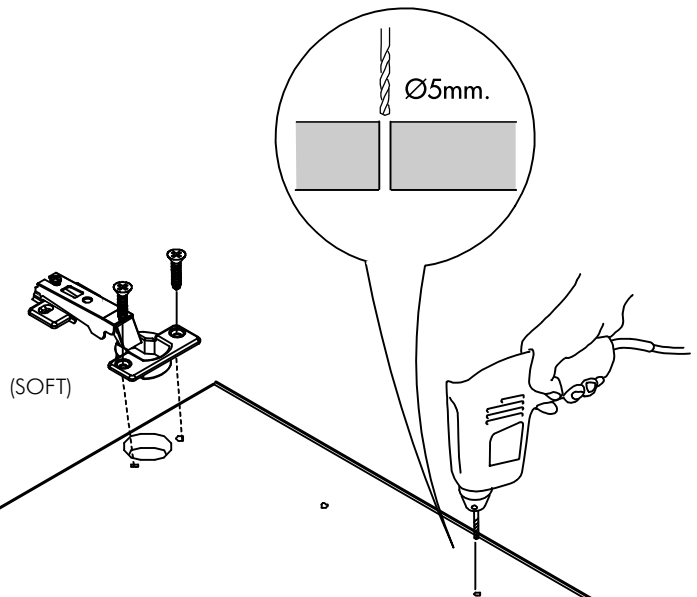
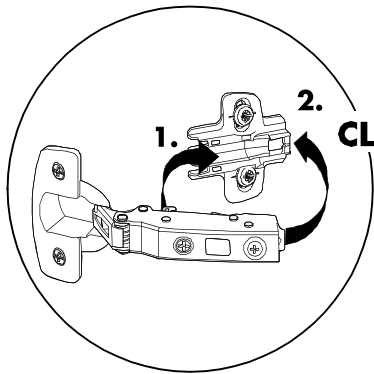
**x 1**



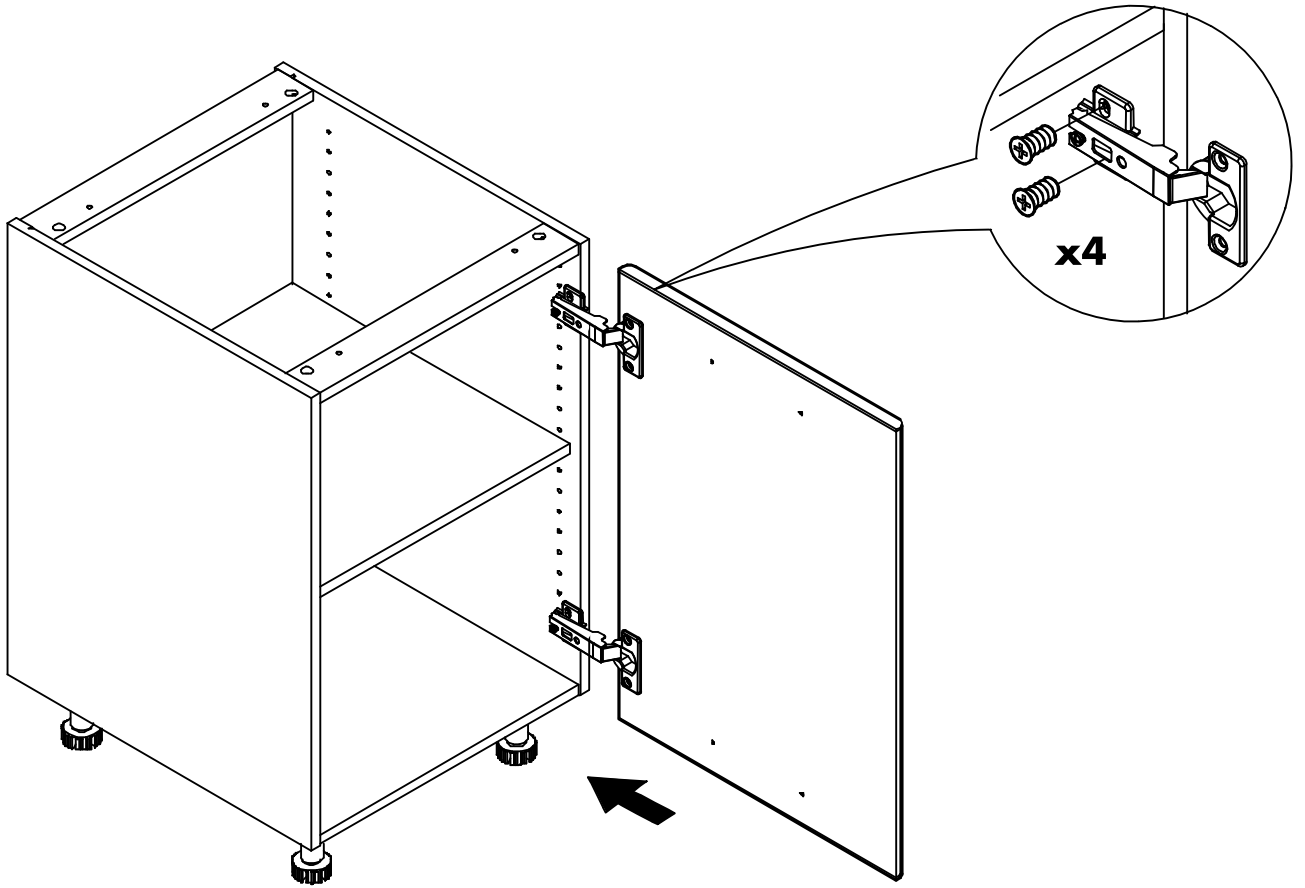
**x 2**



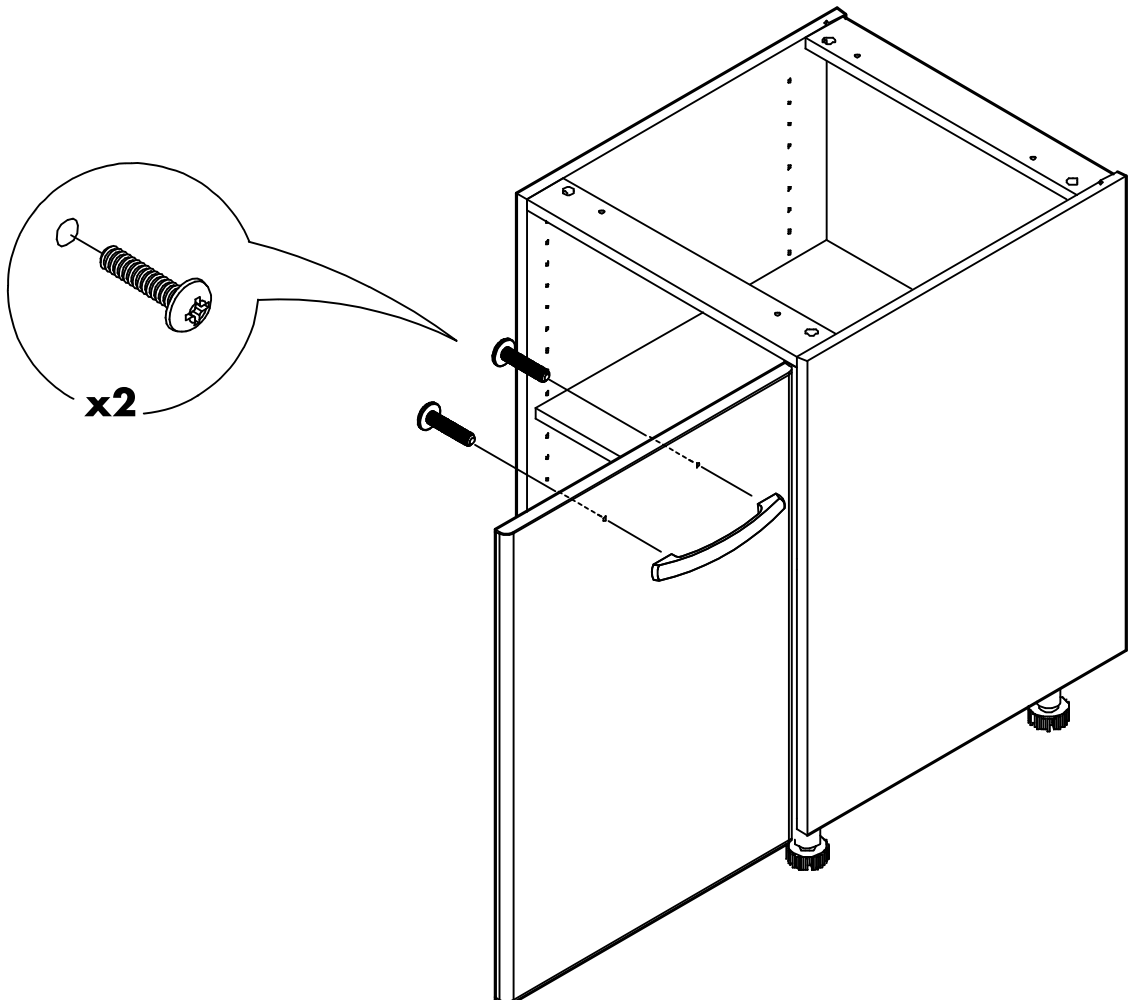
**1.**

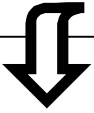
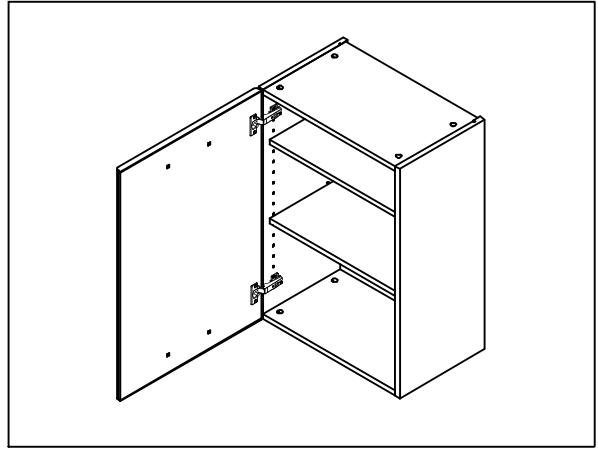
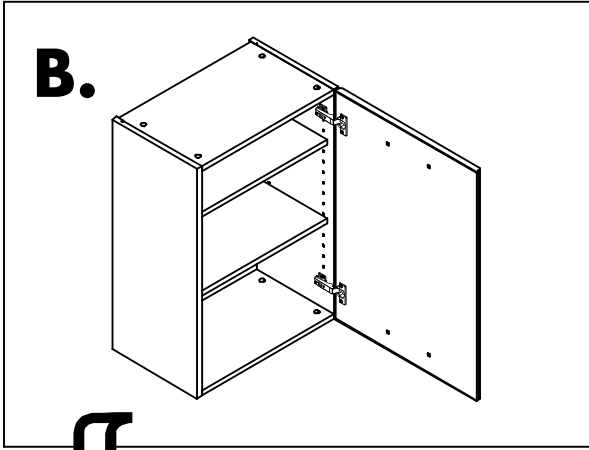


**2.**

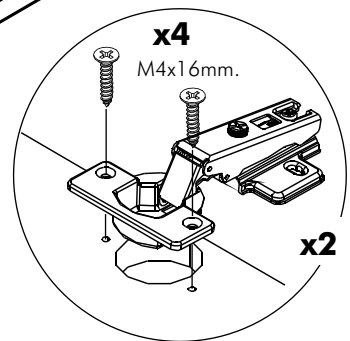
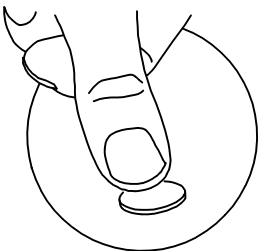
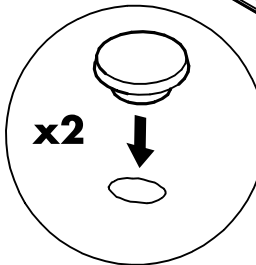
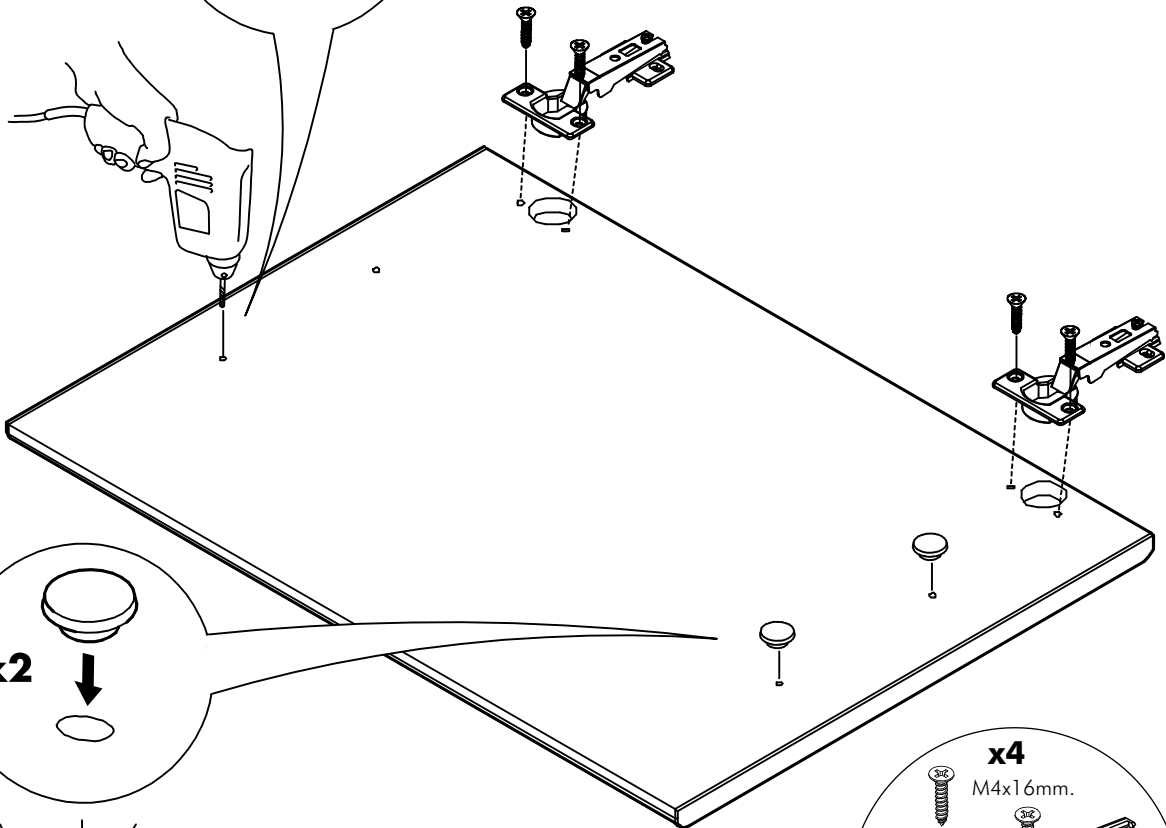
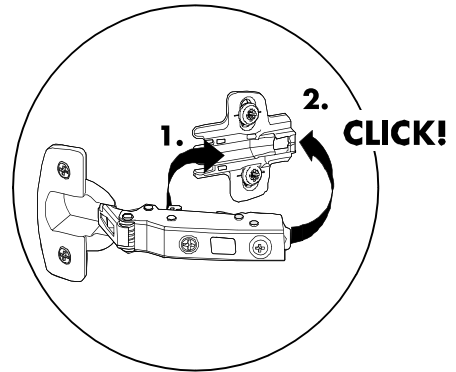
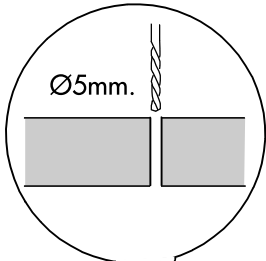


**3.**

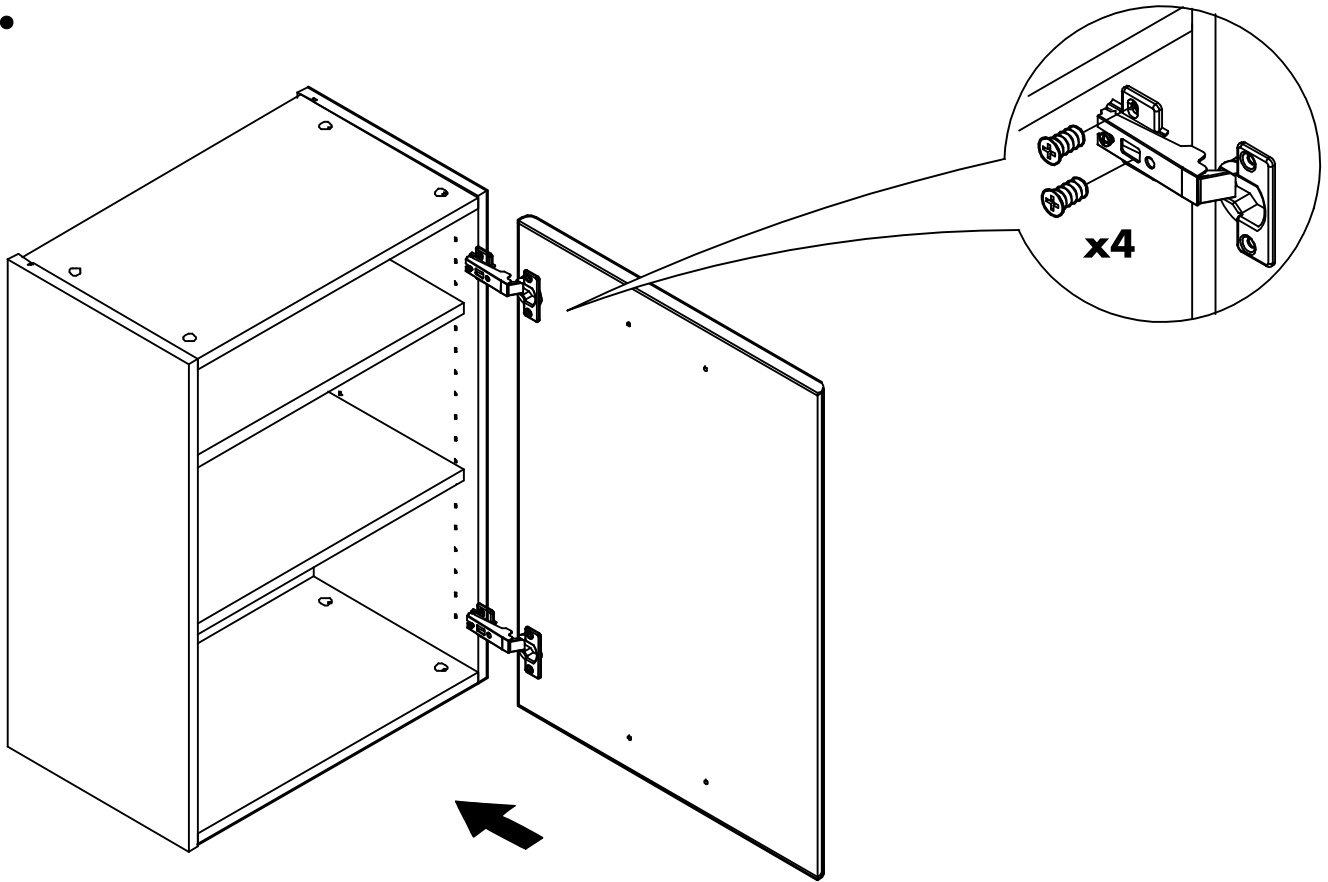




**1.**



**2.**



**3.**

