

Model	REFERENCE_DB40LGS		
Creator	PASATHORN	.BCP Name	INDEX_C3D_KITCHEN2
Reviewer		Order	I002817
Approves		Date	13/12/2023

REFERENCE_DB40LGS-400X570X888

Colour

02.43=FOIL AP7 AQ-152-12KBWG (AQ PAPER)

20.24=ML AE9V (PEARL)

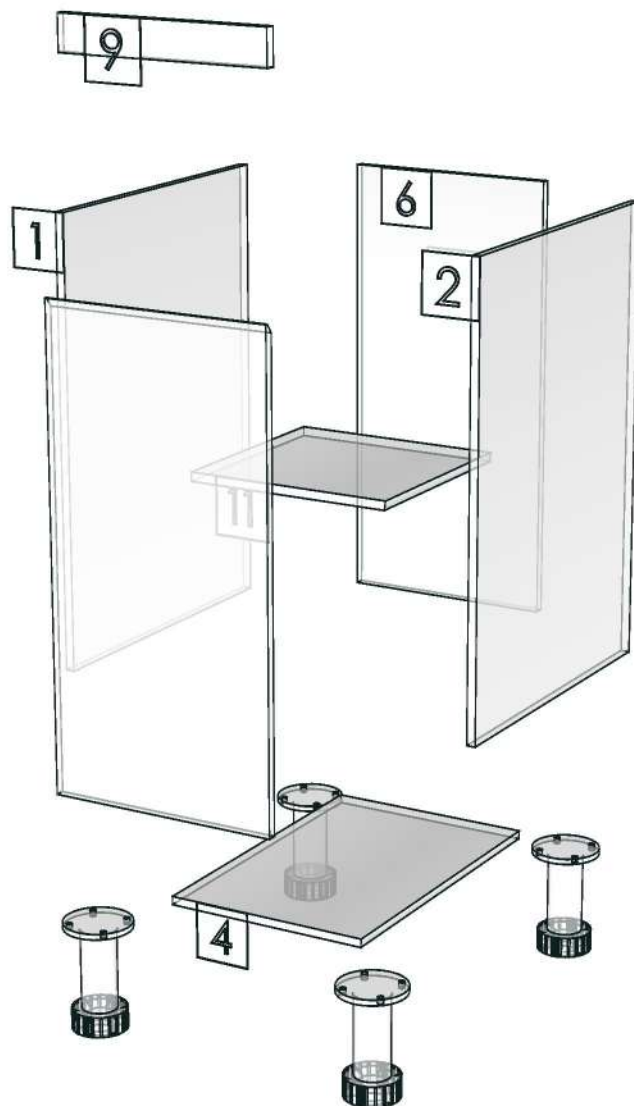
Edge

01.255=1 RHODES AP7

01.47=1 WHITE



Model	-REFERENCE_DB40LGS		
Creator		.BCP Name	INDEX_C3D_KITCHEN2
Reviewer		Order	I002817
Approves		Date	



Model	REFERENCE_DBO666R		
Creator	PASATHORN	.BCP Name	INDEX_C3D_KITCHEN2
Reviewer		Order	I002763
Approves	P.SAWAI	Date	13/11/2023

REFERENCE_DBO666R-666X600X888

Colour

02.43=FOIL AP7 AQ-152-12KBWG (AQ PAPER)

Edge

01.255=1 RHODES AP7

R&D REVIEW	
<input checked="" type="checkbox"/>	DWG.Customer
<input checked="" type="checkbox"/>	Work Report
<input type="checkbox"/>	Function
<input type="checkbox"/>	สินค้าตรงตัวอย่าง
ผู้ทบทวน P.SAWAI	

K113-160134022



K118R-160131219



ปิดขอบด้วยกาว PUR

Model	-REFERENCE_DBO666R		
Creator		.BCP Name	INDEX_C3D_KITCHEN2
Reviewer		Order	I002763
Approves		Date	



Model	REFERENCE_DBH652		
Creator	PASATHORN	.BCP Name	INDEX_C3D_KITCHEN2
Reviewer		Order	I002713
Approves	P.SAWAI	Date	19/10/2023

REFERENCE_DBH652-650X570X888

Colour

02.43=FOIL AP7 AQ-152-12KBWG (AQ PAPER)
02.56=PAPER FOIL 60GMS.WHITE PEARL #VC-70146-MB-60G
20.07=ML AE9V (MATT)
03.13=PVC WHITE#630 T0.15MM.

Edge

01.255=1 RHODES AP7
01.47=1 WHITE

K113-160134022
K114L-160129206



R&D REVIEW

- DWG.Customer
- Work Report
- Funotion
- สินค้าตรงตัวอย่าง

ผู้ทบทวน P.SAWAI

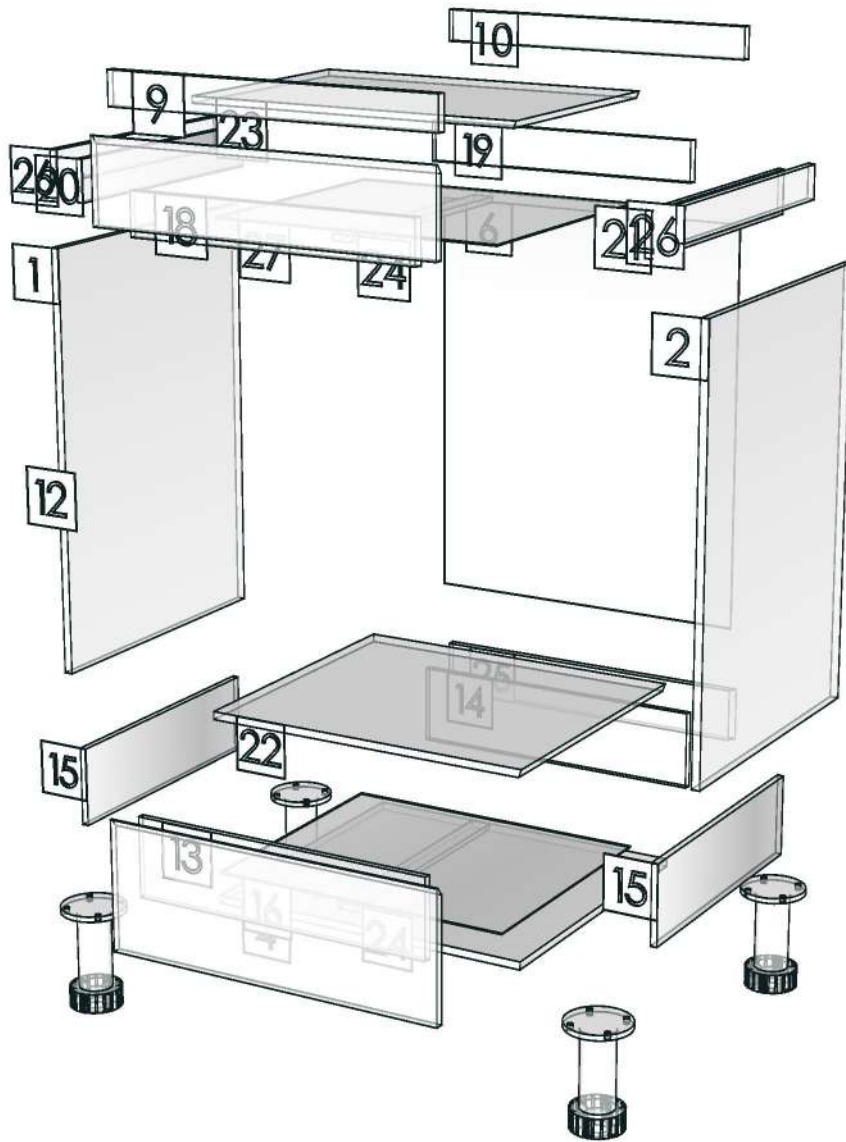
19/10/2023



ปิดขอบด้วยกาว PUR

Model	-REFERENCE_DBH652		
Creator		.BCP Name	INDEX_C3D_KITCHEN2
Reviewer		Order	I002713
Approves		Date	

17



Model	REFERENCE_DBD503		
Creator	PASATHORN	.BCP Name	INDEX_C3D_KITCHEN2
Reviewer		Order	I002814
Approves		Date	13/12/2023

REFERENCE_DBD503-500X570X888

Colour

02.43=FOIL AP7 AQ-152-12KBWG (AQ PAPER)
02.56=PAPER FOIL 60GMS.WHITE PEARL #VC-70146-MB-60G
03.13=PVC WHITE#630 T0.15MM.

Edge

01.255=1 RHODES AP7
01.47=1 WHITE



ปิดขอบด้วยกาว PUR

Model	REFERENCE_DBS85		
Creator	PASATHORN	.BCP Name	INDEX_C3D_KITCHEN2
Reviewer		Order	I002768
Approves		Date	13/11/2023

REFERENCE_DBS85-850X570X888

Colour

02.43=FOIL AP7 AQ-152-12KBWG (AQ PAPER)

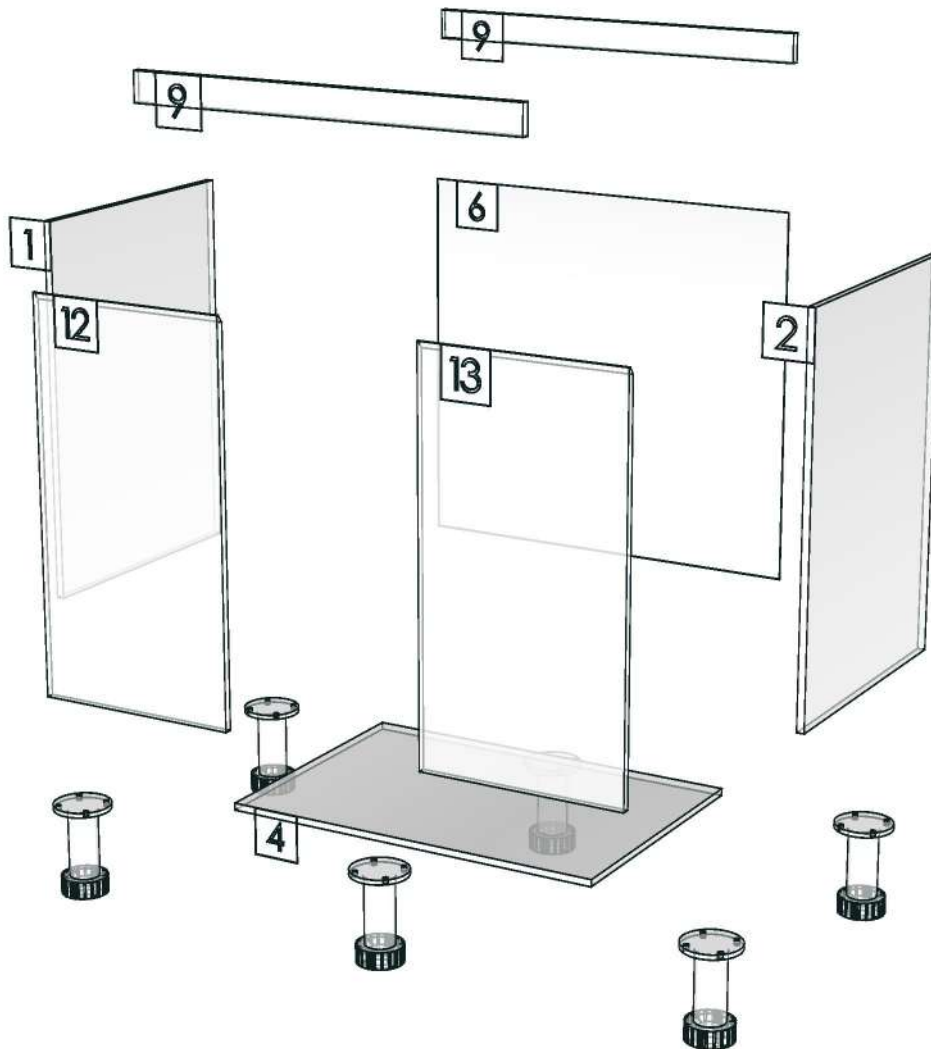
03.13=PVC WHITE#630 T0.15MM.

Edge

01.255=1 RHODES AP7



Model	-REFERENCE_DBS85		
Creator		.BCP Name	INDEX_C3D_KITCHEN2
Reviewer		Order	I002768
Approves		Date	



Model	REFERENCE_DBC9050R		
Creator	PASATHORN	.BCP Name	INDEX_C3D_KITCHEN2
Reviewer		Order	I002811
Approves		Date	12/12/2023

REFERENCE_DBC9050R-900X570X888

Colour

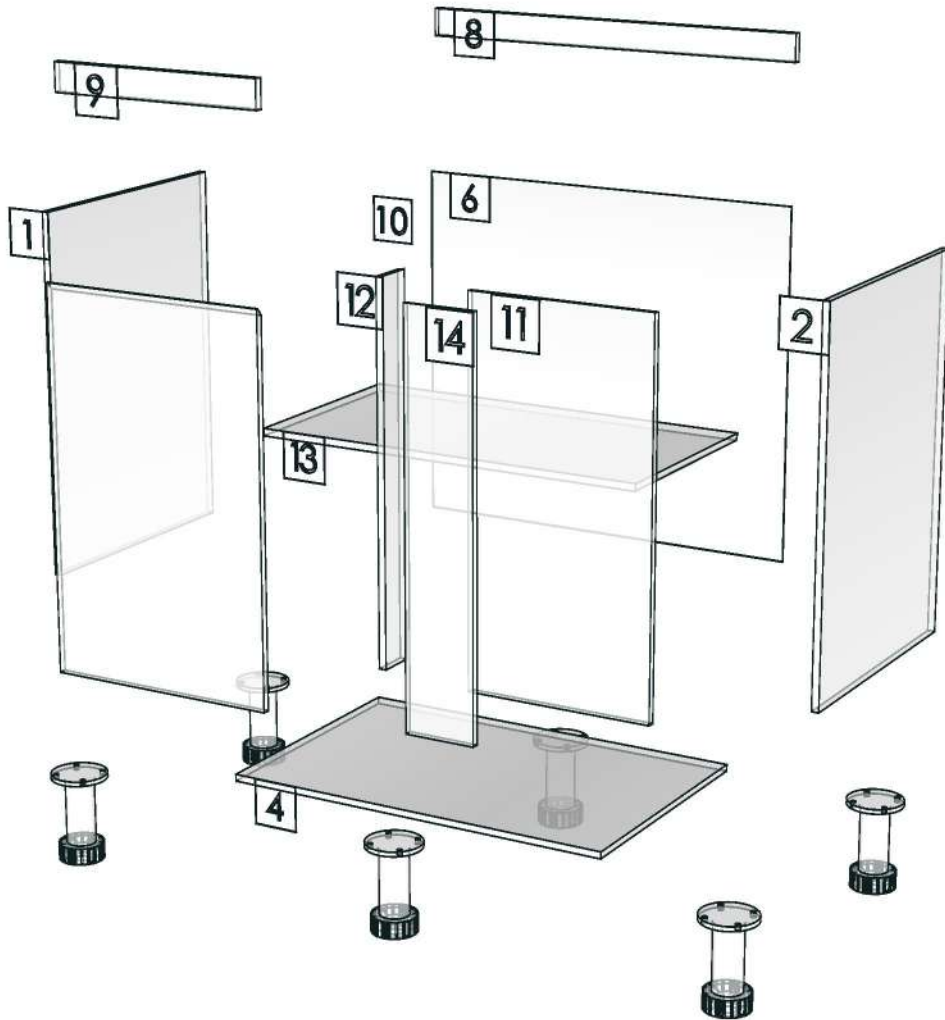
02.43=FOIL AP7 AQ-152-12KBWG (AQ PAPER)
03.13=PVC WHITE#630 T0.15MM.
20.24=ML AE9V (PEARL)

Edge

01.255=1 RHODES AP7
01.47=1 WHITE



Model	-REFERENCE_DBC9050R		
Creator		.BCP Name	INDEX_C3D_KITCHEN2
Reviewer		Order	I002811
Approves		Date	



Model	REFERENCE_DL50L		
Creator	PASATHORN	.BCP Name	INDEX_C3D_KITCHEN2
Reviewer		Order	I002708
Approves	P.SAWAI	Date	18/10/2023

REFERENCE_DL50L-500X350X800

Colour

02.43=FOIL AP7 AQ-152-12KBWG (AQ PAPER)
03.13=PVC WHITE#630 T0.15MM.
20.24=ML AE9V (PEARL)

Edge

01.255=1 RHODES AP7
01.47=1 WHITE

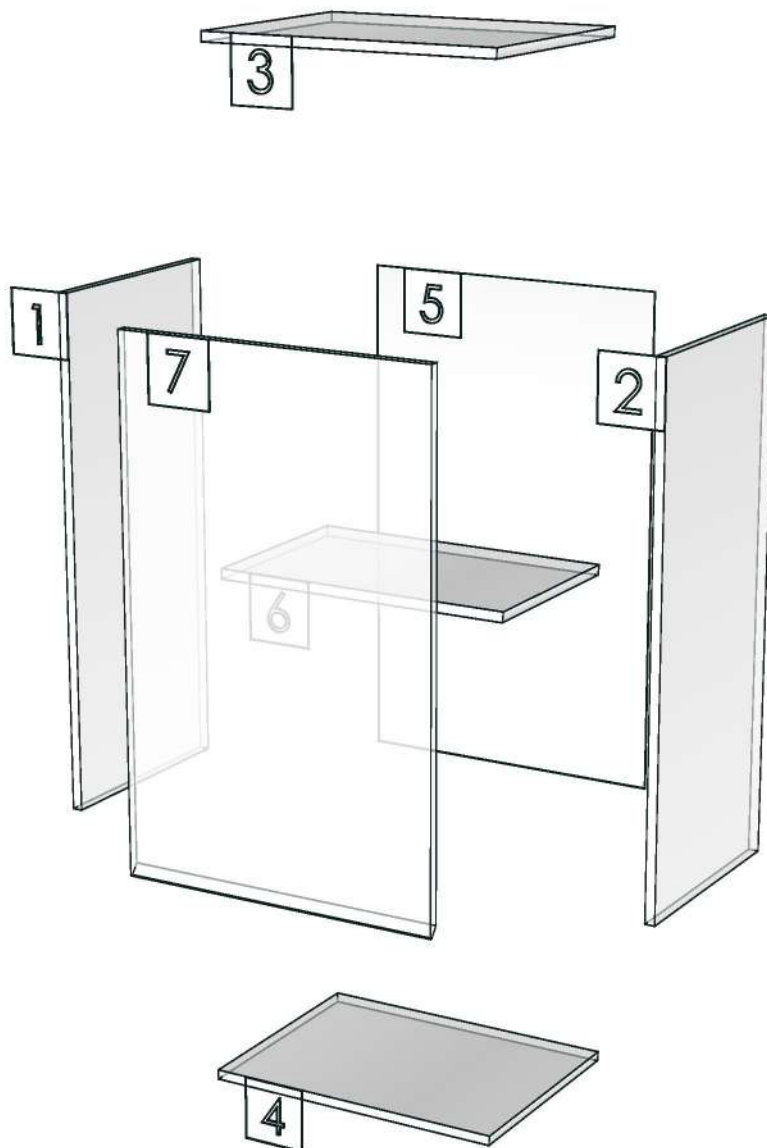


R&D REVIEW	
<input checked="" type="checkbox"/>	DWG.Customer
<input checked="" type="checkbox"/>	Work Report
<input type="checkbox"/>	Function
<input type="checkbox"/>	สินค้าตรงตัวอย่าง
ผู้ทบทวน P.SAWAI	

K114L-160129206



Model	-REFERENCE_DL50L		
Creator		.BCP Name	INDEX_C3D_KITCHEN2
Reviewer		Order	I002708
Approves		Date	



Model	REFERENCE_DL65C		
Creator	PASATHORN	.BCP Name	INDEX_C3D_KITCHEN2
Reviewer		Order	I002756
Approves	P.SAWAI	Date	13/11/2023

REFERENCE_DL65C-650X350X800

Colour

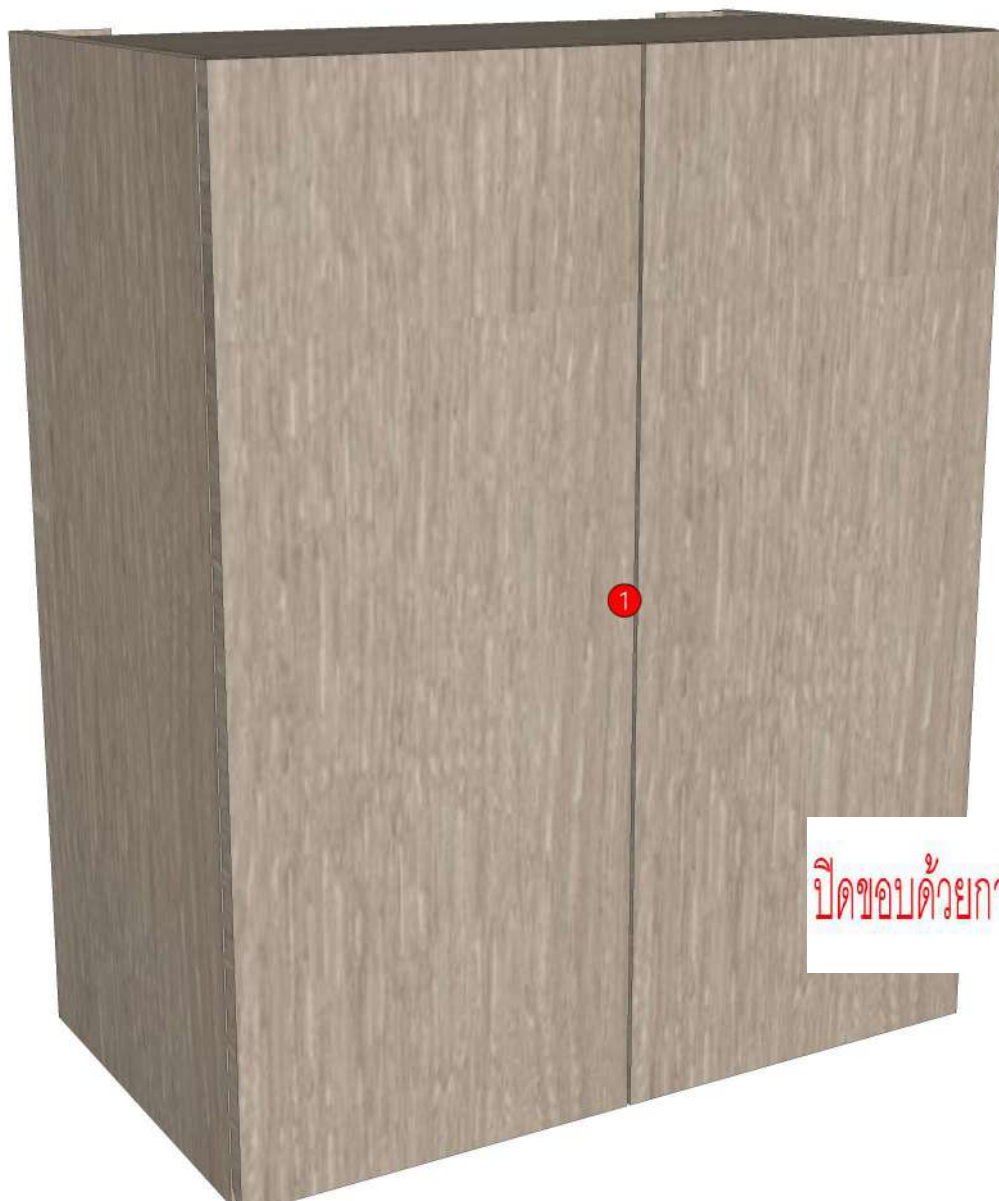
02.43=FOIL AP7 AQ-152-12KBWG (AQ PAPER)

Edge

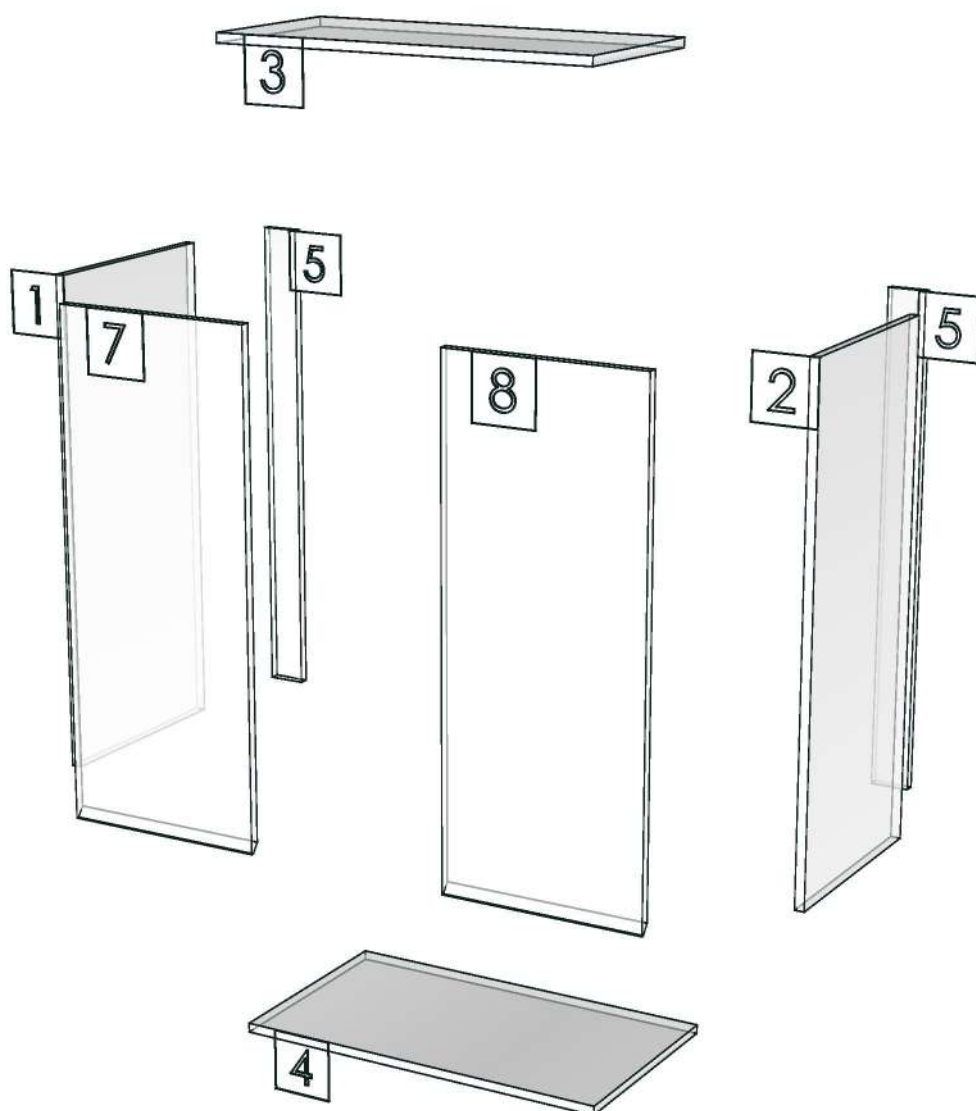
01.255=1 RHODES AP7

K101L-160131176

R&D REVIEW	
<input checked="" type="checkbox"/>	DWG.Customer
<input checked="" type="checkbox"/>	Work Report
<input type="checkbox"/>	Function
<input type="checkbox"/>	สินค้าตรงตัวอย่าง
ผู้ทบทวน P.SAWAI	
13/11/2023	



Model	-REFERENCE_DL65C		
Creator		.BCP Name	INDEX_C3D_KITCHEN2
Reviewer		Order	I002756
Approves		Date	



Model	REFERENCE_DL70SR		
Creator	PASATHORN	.BCP Name	INDEX_C3D_KITCHEN2
Reviewer		Order	I002781
Approves		Date	15/11/2023

REFERENCE_DL70SR-700X350X800

Colour

02.43=FOIL AP7 AQ-152-12KBWG (AQ PAPER)

03.13=PVC WHITE#630 T0.15MM.

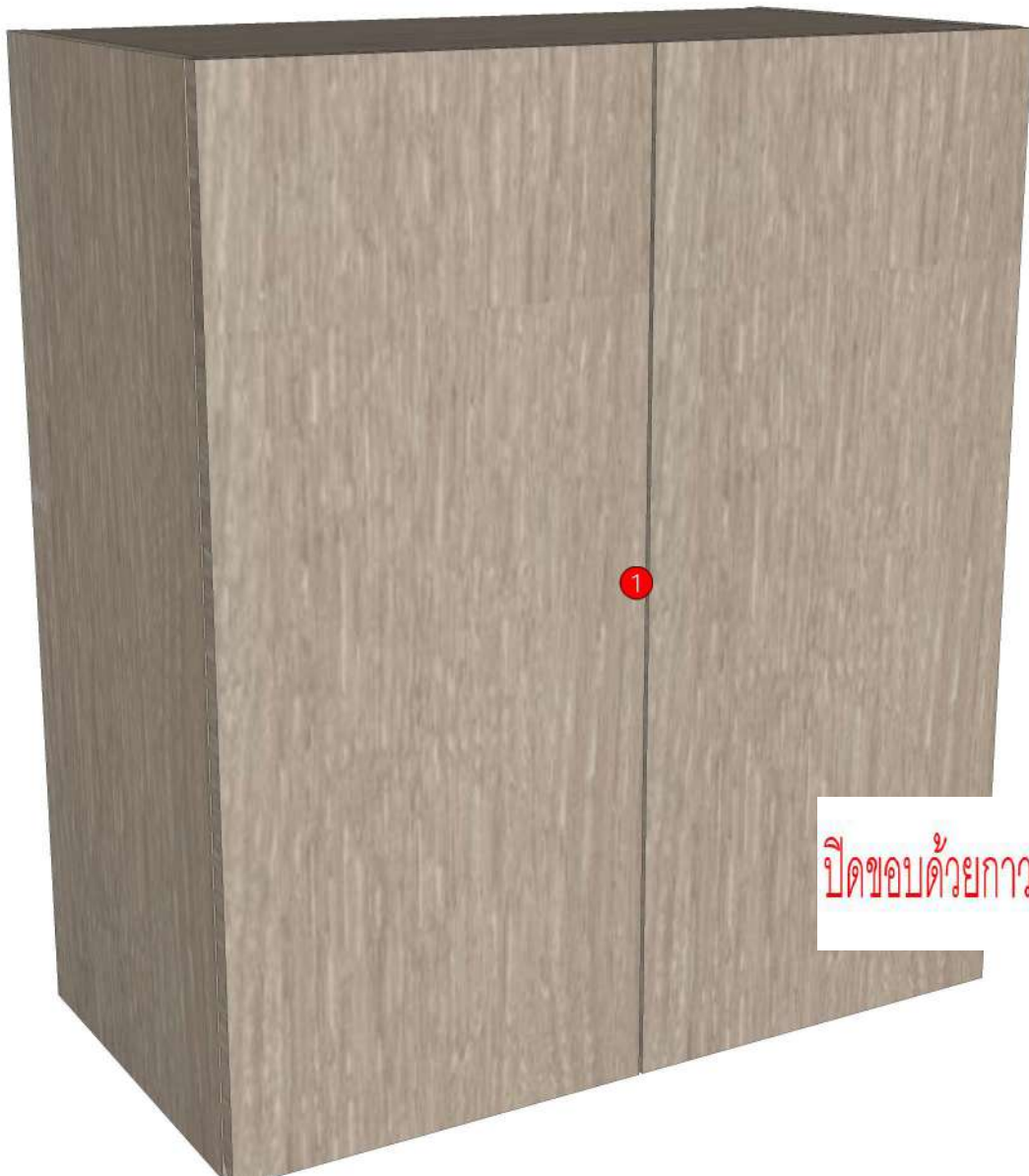
20.24=ML AE9V (PEARL)

Edge

01.255=1 RHODES AP7

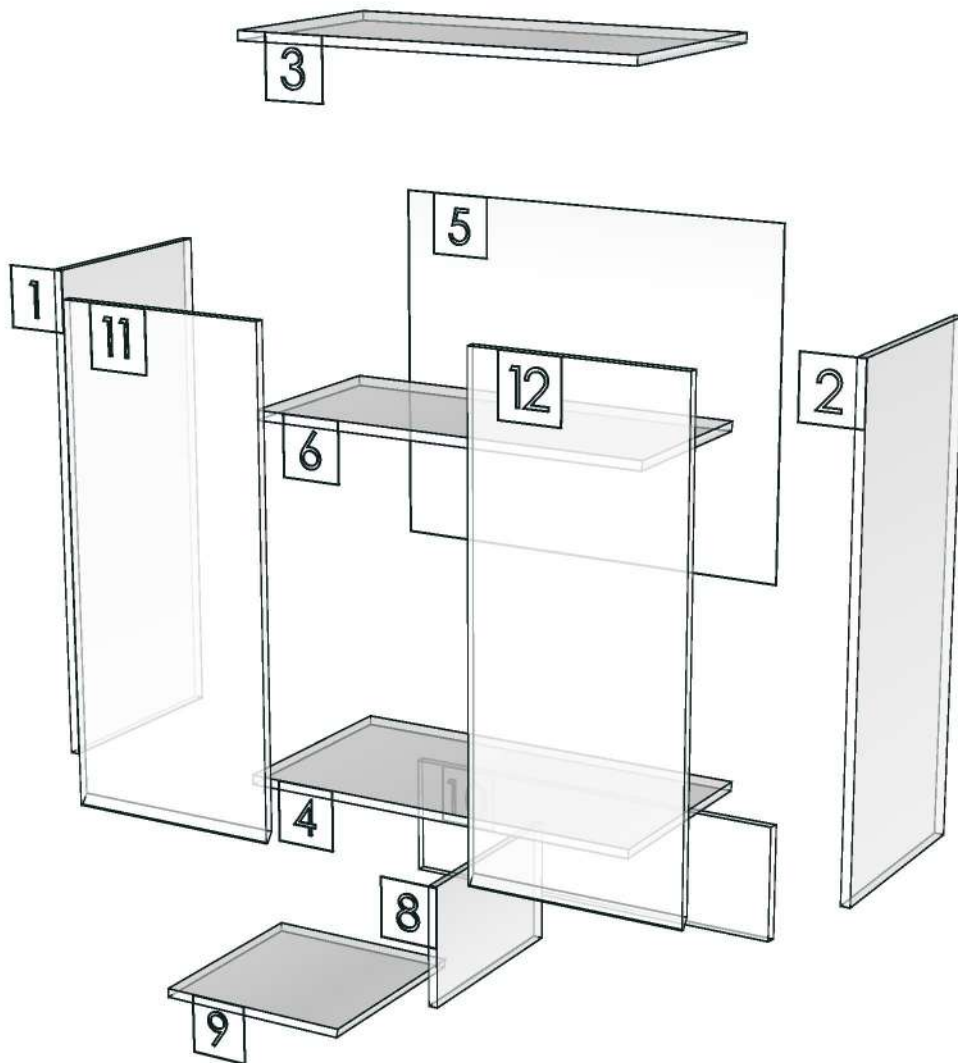
01.47=1 WHITE

K102L-160131186



ปิดขอบด้วยกาว PUR

Model	-REFERENCE_DL70SR		
Creator		.BCP Name	INDEX_C3D_KITCHEN2
Reviewer		Order	I002781
Approves		Date	



Model	REFERENCE_DL60HR		
Creator	PASATHORN	.BCP Name	INDEX_C3D_KITCHEN2
Reviewer		Order	I002384
Approves	P.SAWAI	Date	22/06/2023

REFERENCE_DL60HR-600X350X755

Colour

02.43=FOIL AP7 AQ-152-12KBWG (AQ PAPER)
03.13=PVC WHITE#630 T0.15MM.
20.24=ML AE9V (PEARL)

Edge

01.255=1 RHODES AP7
01.47=1 WHITE

R&D REVIEW

DWG.Customer

Work Report

Function

สิ้นค้าตรงตัวอย่าง

ผู้ทบทวน P.SAWAI

22/06/2023

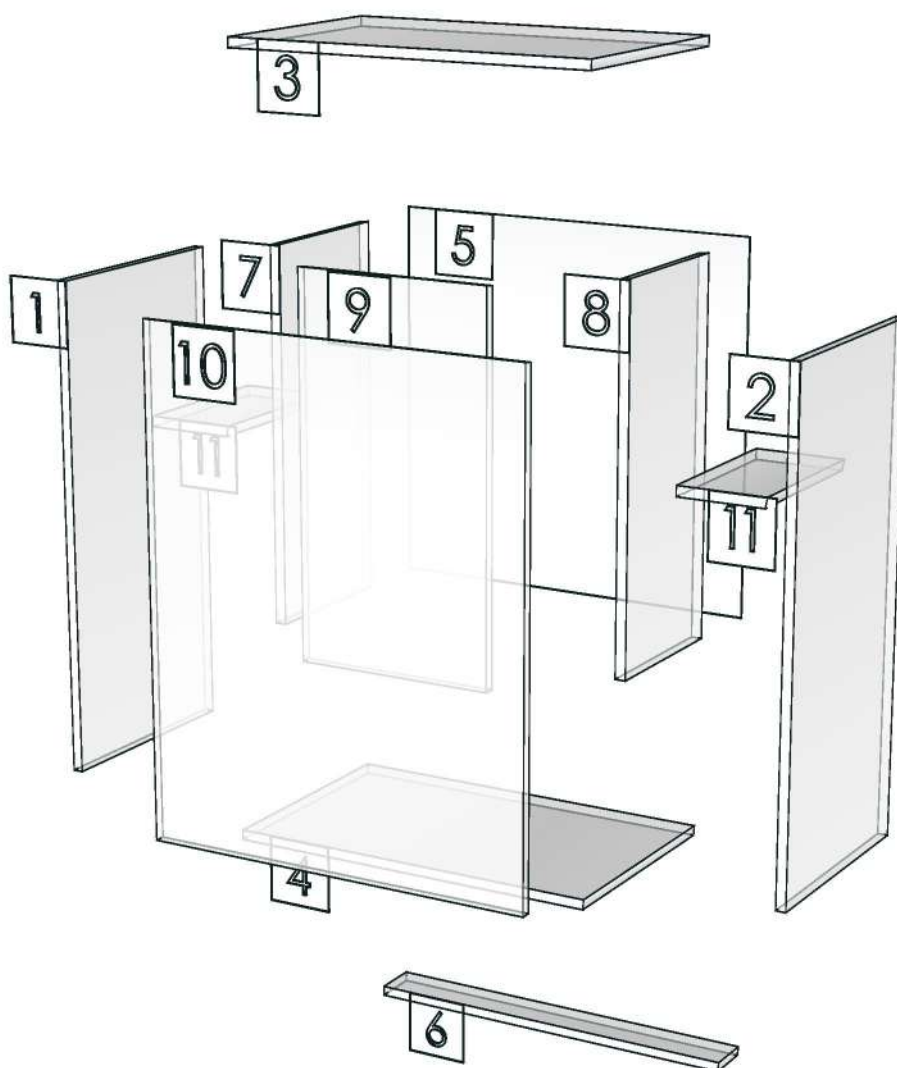
K109R-160123138

K124R-160134041
K126R-160131546



ปิดขอบด้วยกาว PUR

Model	-REFERENCE_DL60HR		
Creator		.BCP Name	INDEX_C3D_KITCHEN2
Reviewer		Order	I002384
Approves		Date	



Model	REFERENCE_DW70		
Creator	PASATHORN	.BCP Name	INDEX_C3D_KITCHEN2
Reviewer		Order	I002382
Approves	P.SAWAI	Date	22/06/2023

REFERENCE_DW70-700X350X500

Colour

02.43=FOIL AP7 AQ-152-12KBWG (AQ PAPER)
03.13=PVC WHITE#630 T0.15MM.
20.24=ML AE9V (PEARL)

Edge

01.255=1 RHODES AP7
01.47=1 WHITE

K100L-160131166

K126R-160131546

K113-160134022

K127L-160134193

K102L-160131186

K114L-160129206

K102R-160123111

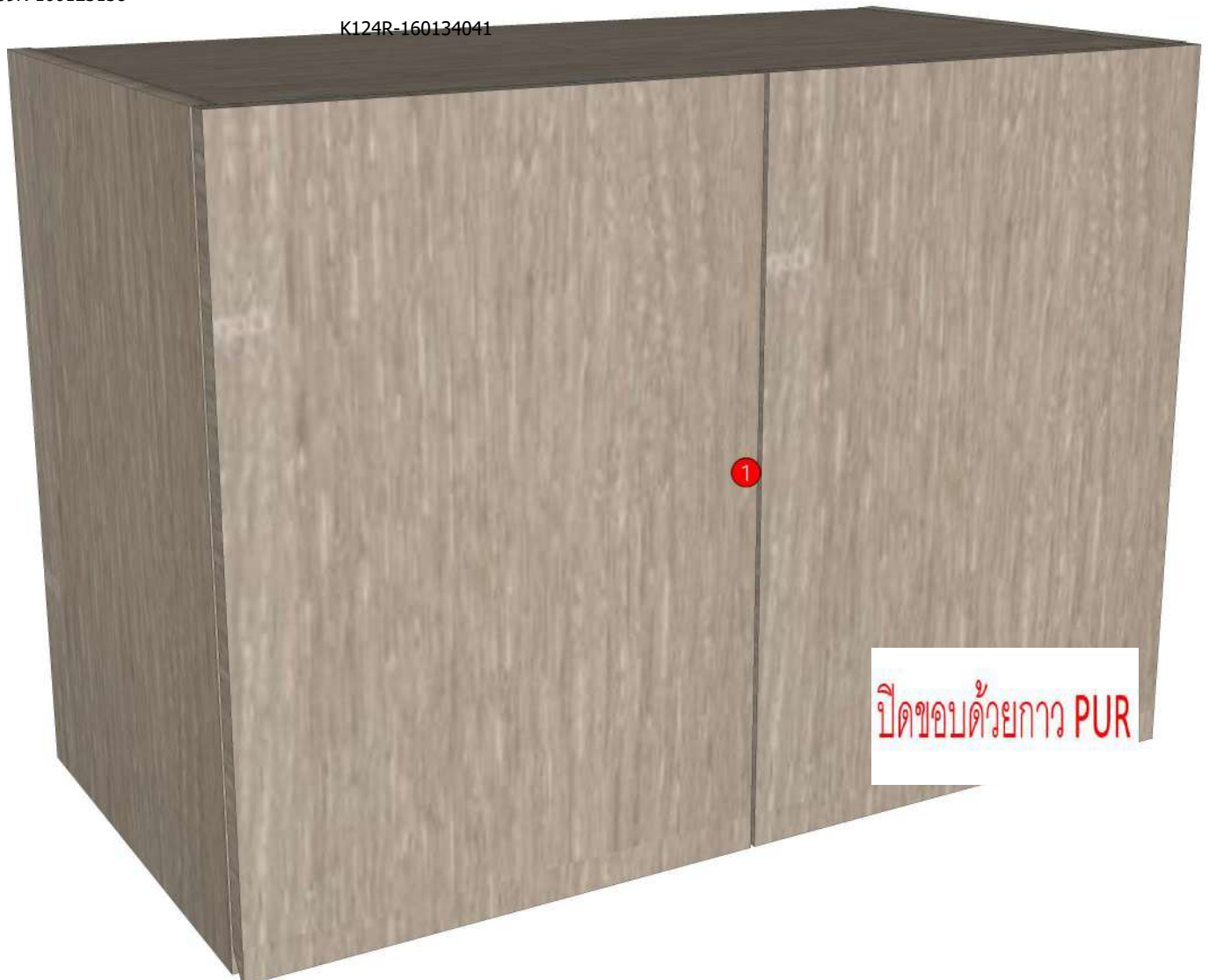
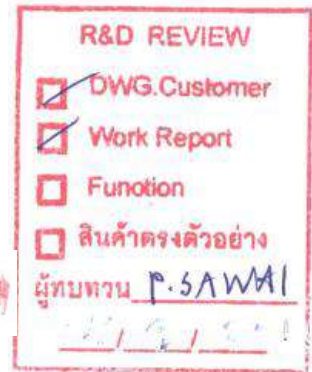
K117L-160123170

K108L-160123120

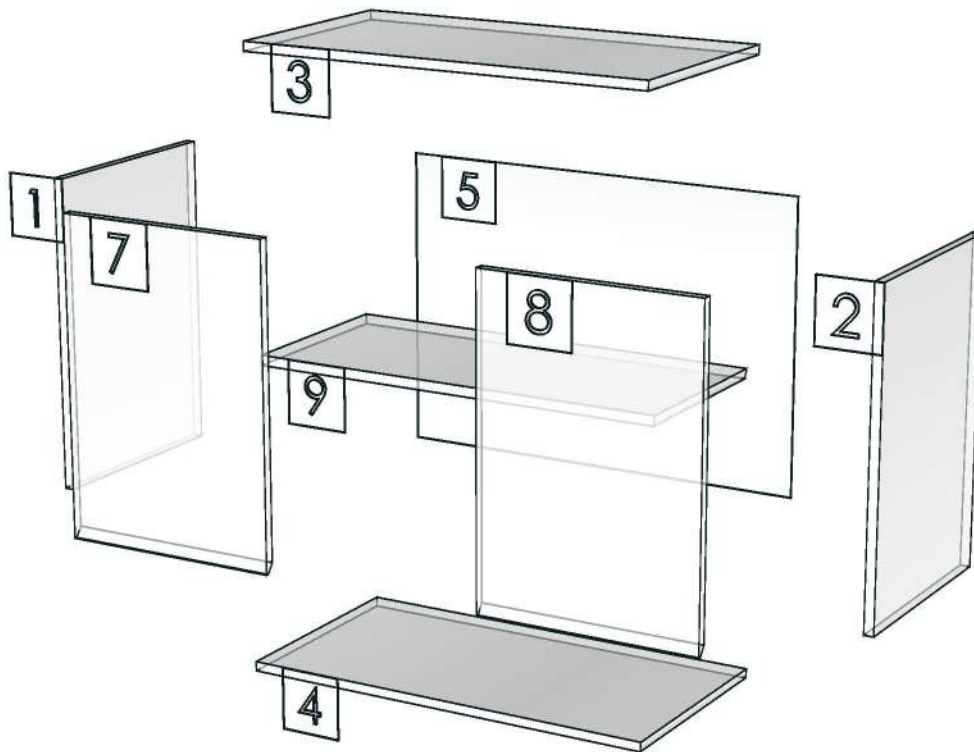
K108R-160123129

K109R-160123138

K124R-160134041



Model	-REFERENCE_DW70		
Creator		.BCP Name	INDEX_C3D_KITCHEN2
Reviewer		Order	I002382
Approves		Date	



Model	REFERENCE_DT55RS		
Creator	PASATHORN	.BCP Name	INDEX_C3D_KITCHEN2
Reviewer		Order	I002806
Approves	P.SAWAI	Date	12/12/2023

REFERENCE_DT55RS-550X450X2300

Colour

02.43=FOIL AP7 AQ-152-12KBWG (AQ PAPER)

03.13=PVC WHITE#630 T0.15MM.

20.24=ML AE9V (PEARL)

Edge

01.255=1 RHODES AP7

01.47=1 WHITE

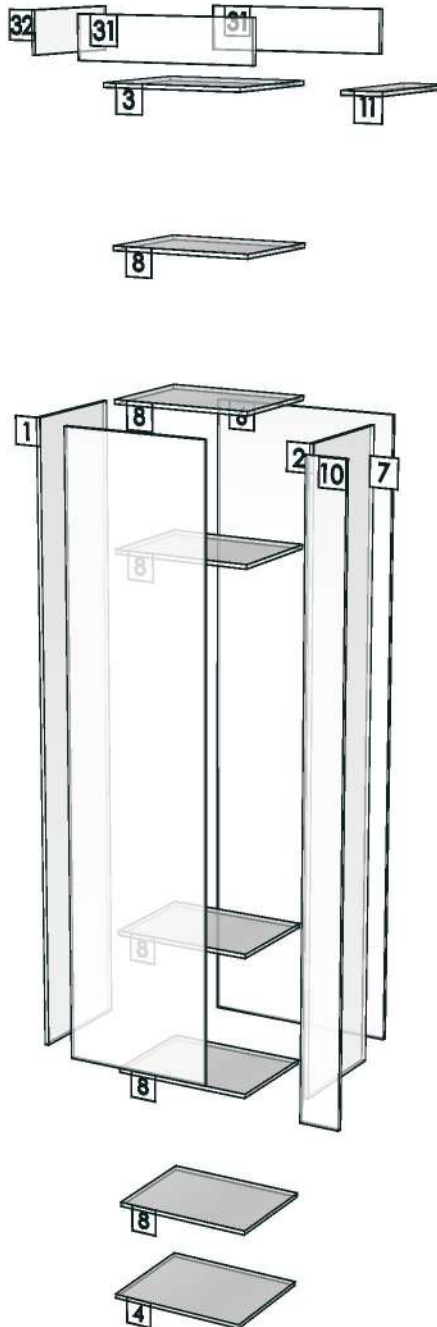
K113-160134022

R&D REVIEW	
<input checked="" type="checkbox"/>	DWG.Customer
<input checked="" type="checkbox"/>	Work Report
<input type="checkbox"/>	Function
<input type="checkbox"/>	สินค้าตรงตัวอย่าง
ผู้ทบทวน P.SAWAI	



ปิดขอบด้วยกาว PUR

Model	-REFERENCE_DT55RS		
Creator		.BCP Name	INDEX_C3D_KITCHEN2
Reviewer		Order	I002806
Approves	P.SAWAI	Date	



Model	REFERENCE_DEP2500		
Creator	PASATHORN	.BCP Name	INDEX_C3D_KITCHEN2
Reviewer		Order	I002771
Approves		Date	14/11/2023

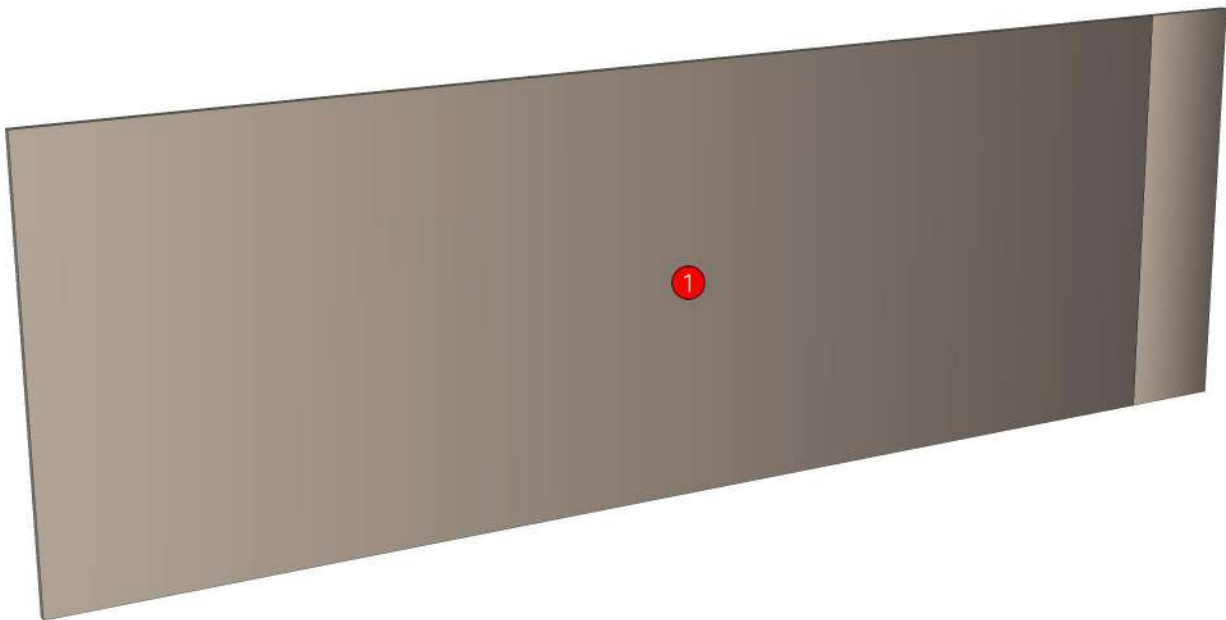
REFERENCE_DEP2500-2500X16X838

Colour

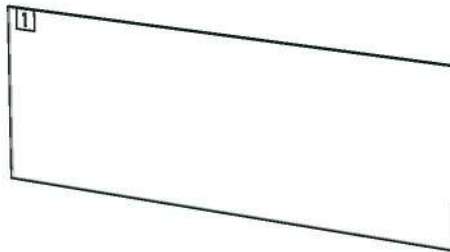
20.01=ML.MFI599_PEARL

Edge

01.319=1 MFI599 PEARL



Model	-REFERENCE_DEP2500		
Creator		.BCP Name	INDEX_C3D_KITCHEN2
Reviewer		Order	I002771
Approves		Date	



Model	REFERENCE_DEP603		
Creator	PASATHORN	.BCP Name	INDEX_C3D_KITCHEN2
Reviewer		Order	I002805
Approves	P.SAWAI	Date	12/12/2023

REFERENCE_DEP603-603X16X888

Colour

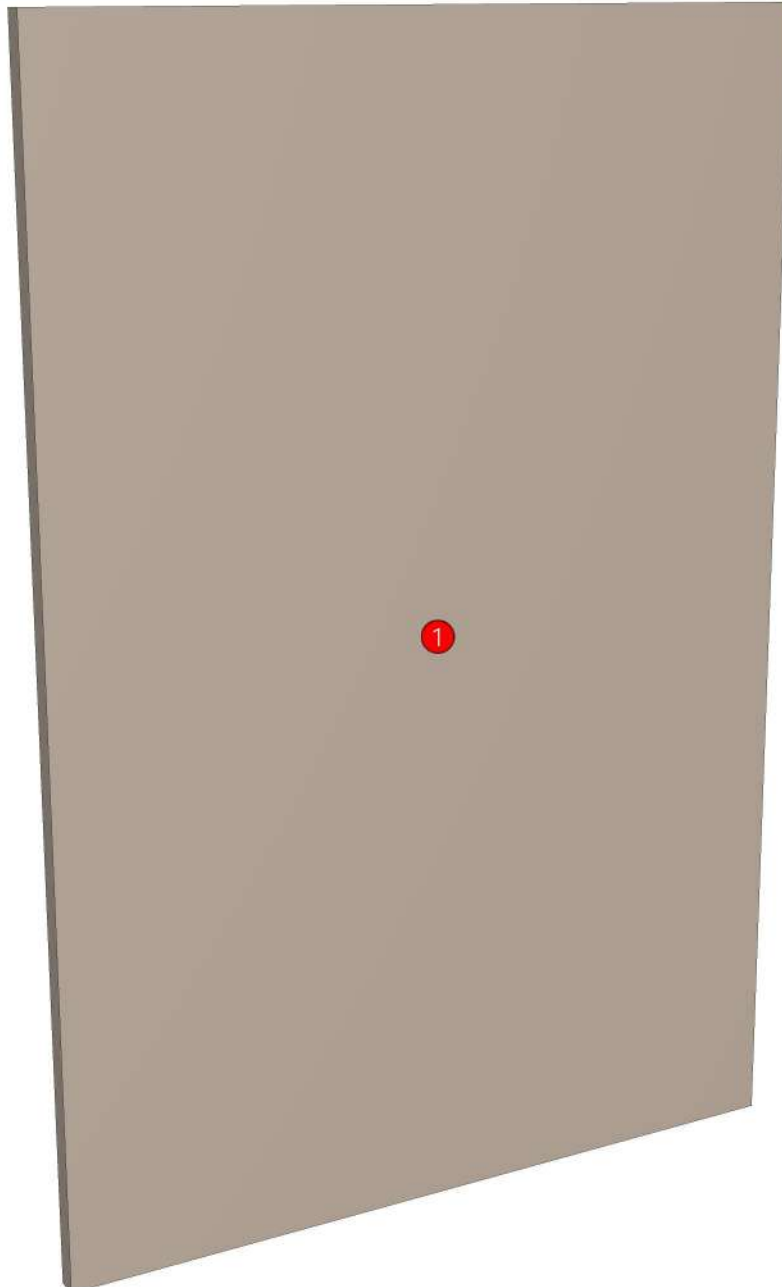
20.01=ML.MFI599_PEARL

Edge

01.319=1 MFI599 PEARL

K113-160134022

R&D REVIEW	
<input checked="" type="checkbox"/>	DWG.Customer
<input checked="" type="checkbox"/>	Work Report
<input type="checkbox"/>	Function
<input type="checkbox"/>	สินค้าตรงตัวอย่าง
ผู้ทบทวน P.SAWAI	
[Signature]	



Model	REFERENCE_DFB		
Creator	PASATHORN	.BCP Name	INDEX_C3D_KITCHEN2
Reviewer		Order	I002376
Approves	P.SAWAI	Date	21/06/2023

REFERENCE_DFB-150X15X838

Colour

02.43=FOIL AP7 AQ-152-12KBWG (AQ PAPER)

Edge

01.255=1 RHODES AP7

R&D REVIEW	
<input checked="" type="checkbox"/>	DWG.Customer
<input checked="" type="checkbox"/>	Work Report
<input type="checkbox"/>	Function
<input type="checkbox"/>	สินค้าตรงตัวอย่าง
ผู้ทบทวน P.SAWAI	
21/06/2023	

K126R-160131546

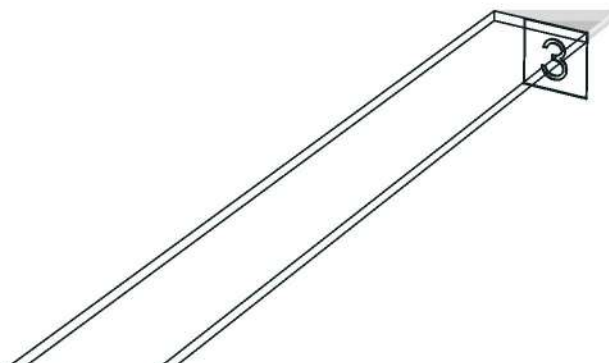
- K113-160134022
- K114L-160129206
- K117L-160123170
- K118R-160131219
- K119R-160134173
- K122L-160123183
- K123L-160123193
- K123R-160123203
- K124R-160134041

- K109R-160123138
- K110R-160123152



ปิดขอบด้วยกาว PUR

Model	-REFERENCE_DFB		
Creator		.BCP Name	INDEX_C3D_KITCHEN2
Reviewer		Order	I002376
Approves		Date	



Model	REFERENCE_DFB300		
Creator	PASATHORN	.BCP Name	INDEX_C3D_KITCHEN2
Reviewer		Order	I002739
Approves		Date	07/11/2023

REFERENCE_DFB300-300X15X888

Colour

02.43=FOIL AP7 AQ-152-12KBWG (AQ PAPER)

Edge

01.255=1 RHODES AP7



ปิดขอบด้วยกาว PUR

Model	-REFERENCE_DFB300		
Creator		.BCP Name	INDEX_C3D_KITCHEN2
Reviewer		Order	I002739
Approves		Date	



Model	REFERENCE_DFL		
Creator	PASATHORN	.BCP Name	INDEX_C3D_KITCHEN2
Reviewer		Order	I002377
Approves	P.SAWAI	Date	21/06/2023

REFERENCE_DFL-150X15X800

Colour

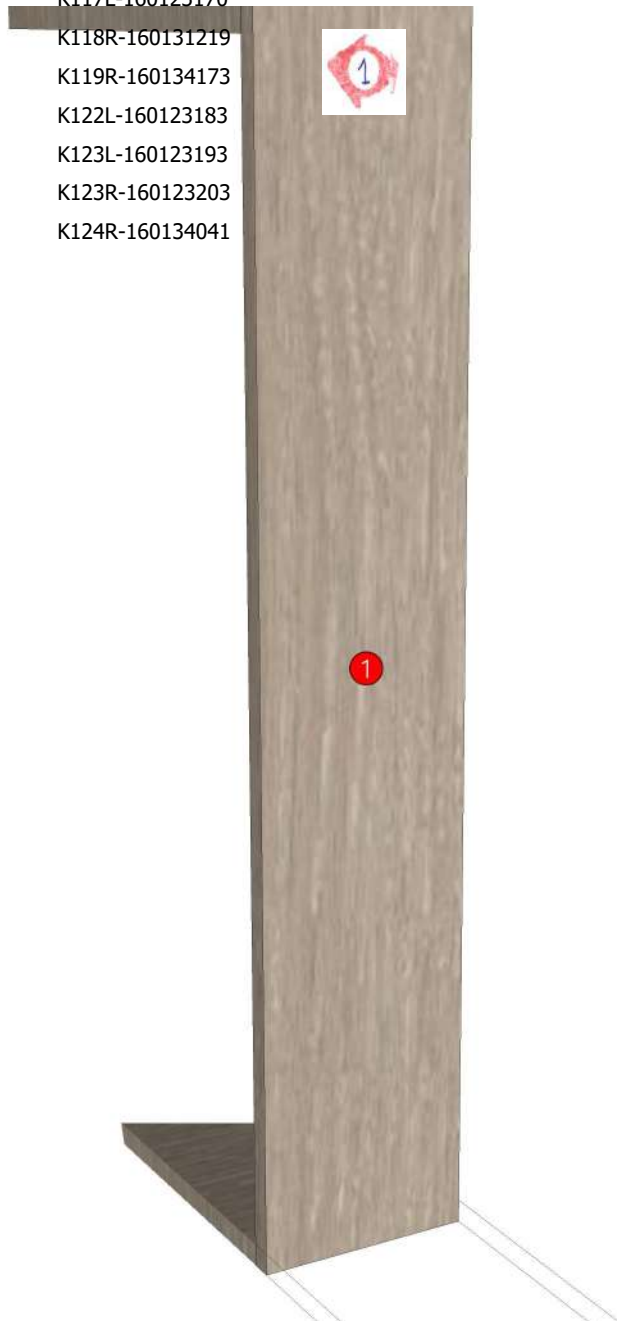
02.43=FOIL AP7 AQ-152-12KBWG (AQ PAPER)

Edge

01.255=1 RHODES AP7

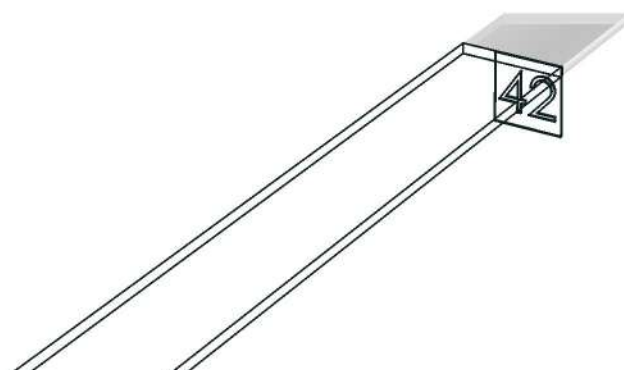
R&D REVIEW	
<input checked="" type="checkbox"/>	DWG.Customer
<input checked="" type="checkbox"/>	Work Report
<input type="checkbox"/>	Function
<input type="checkbox"/>	สินค้าตรงตัวอย่าง
ผู้ทบทวน P.SAWAI	
21/6/23	

K101L-160131176	K112L-160123160	K126R-160131546
	K113-160134022	
	K114L-160129206	
	K117L-160123170	
K103R-160131196	K118R-160131219	
	K119R-160134173	
	K122L-160123183	
	K123L-160123193	
K109R-160123138	K123R-160123203	
K110R-160123152	K124R-160134041	



ปิดขอบด้วยกาว PUR

Model	-REFERENCE_DFL		
Creator		.BCP Name	INDEX_C3D_KITCHEN2
Reviewer		Order	I002377
Approves		Date	



Model	REFERENCE_DFLS		
Creator	PASATHORN	.BCP Name	INDEX_C3D_KITCHEN2
Reviewer		Order	I002702
Approves	P.SAWAI	Date	17/10/2023

REFERENCE_DFLS-250X15X800

Colour

02.43=FOIL AP7 AQ-152-12KBWG (AQ PAPER)

Edge

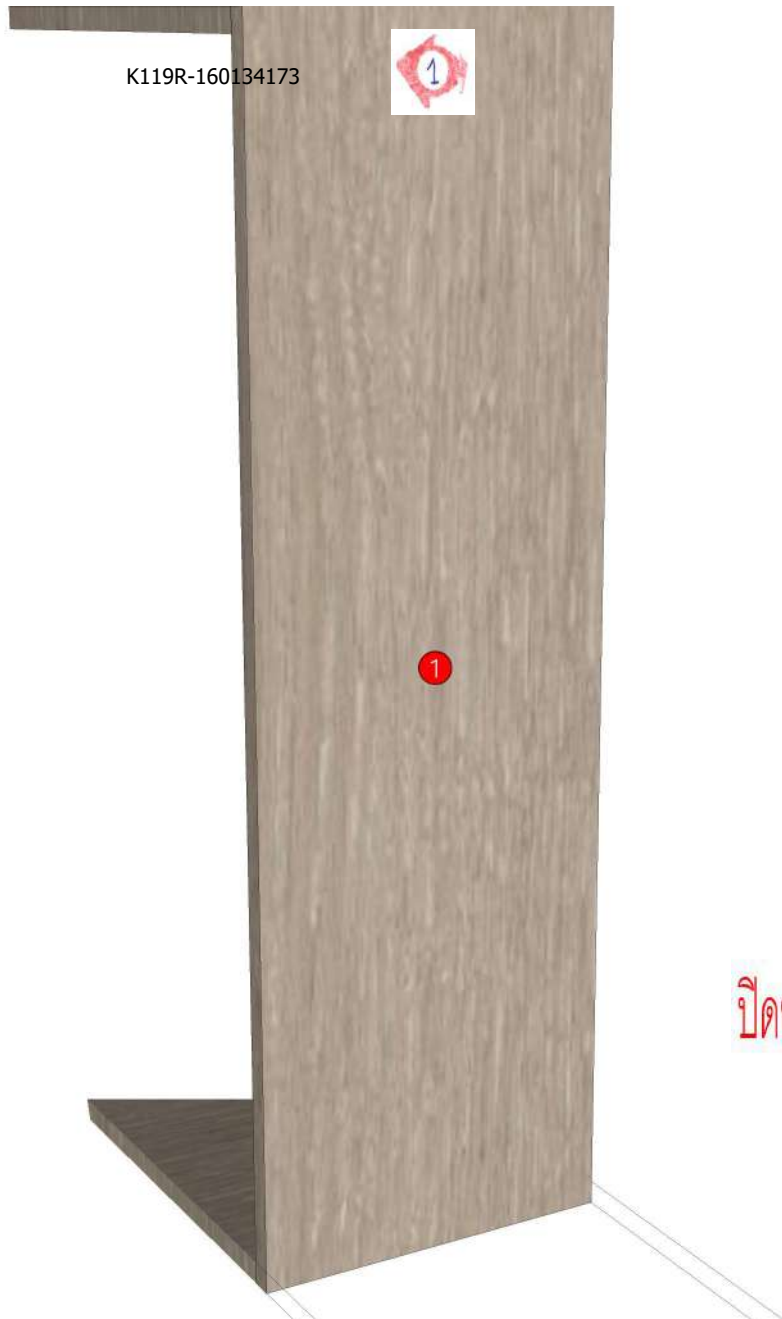
01.255=1 RHODES AP7

R&D REVIEW	
<input checked="" type="checkbox"/>	DWG.Customer
<input checked="" type="checkbox"/>	Work Report
<input type="checkbox"/>	Function
<input type="checkbox"/>	สินค้าตรงตัวอย่าง
ผู้ทบทวน <u>P.SAWAI</u>	
<u>17/10/23</u>	

K113-160134022

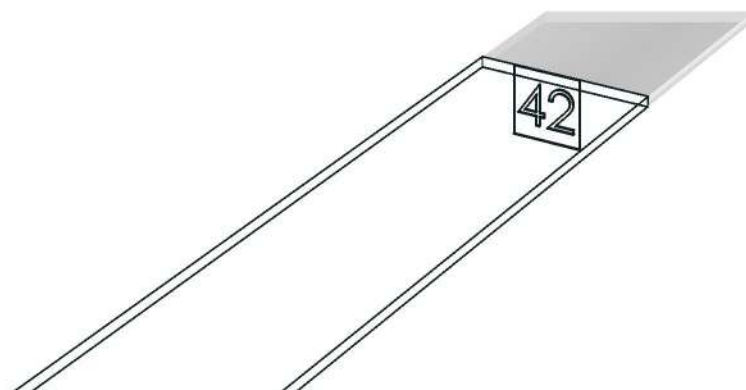
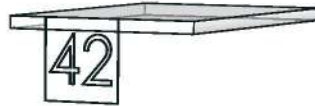
K114L-160129206

K119R-160134173



ปิดขอบด้วยกาว PUR

Model	-REFERENCE_DFLS		
Creator		.BCP Name	INDEX_C3D_KITCHEN2
Reviewer		Order	I002702
Approves		Date	



Model	REFERENCE_DF_CL2000		
Creator	PASATHORN	.BCP Name	INDEX_C3D_KITCHEN2
Reviewer		Order	I002374
Approves	P.SAWAI	Date	20/06/2023

REFERENCE_DF_CL2000-2000X12X150

Colour

02.43=FOIL AP7 AQ-152-12KBWG (AQ PAPER)

Edge

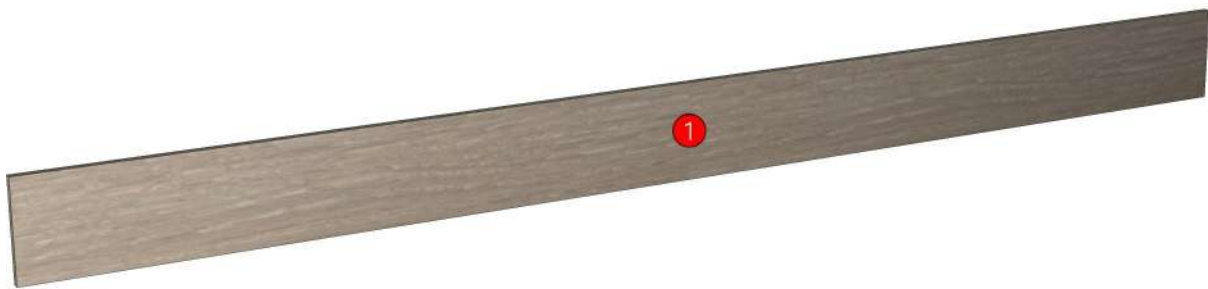
01.255=1 RHODES AP7

K112L-160123160

K119R-160134173



R&D REVIEW	
<input checked="" type="checkbox"/>	DWG.Customer
<input checked="" type="checkbox"/>	Work Report
<input type="checkbox"/>	Function
<input type="checkbox"/>	สินค้าตรงตัวอย่าง
ผู้ทบทวน <u>P.SAWAI</u>	
<u>20/06/2023</u>	



ปิดขอบด้วยกาว PUR

Model	REFERENCE_DF_CL1550		
Creator	PASATHORN	.BCP Name	INDEX_C3D_KITCHEN2
Reviewer		Order	I002371
Approves	P.SAWAI	Date	20/06/2023

REFERENCE_DF_CL1550-1550X12X150

Colour

02.43=FOIL AP7 AQ-152-12KBWG (AQ PAPER)

Edge

01.255=1 RHODES AP7

R&D REVIEW	
<input checked="" type="checkbox"/>	DWG.Customer
<input checked="" type="checkbox"/>	Work Report
<input type="checkbox"/>	Function
<input type="checkbox"/>	สินค้าตรงตัวอย่าง
ผู้ทบทวน P.SAWAI	

K113-160134022

K114L-160129206

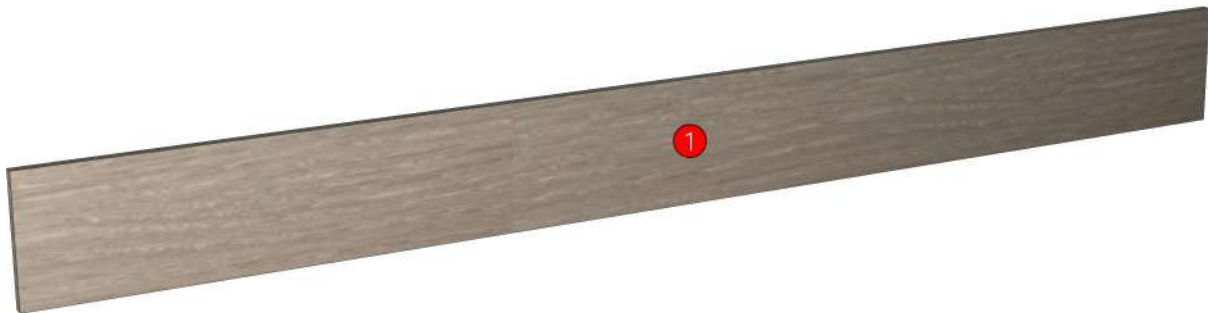
K117L-160123170



K124R-160134041



K110R-160123152



ปิดขอบด้วยกาว PUR

Model	REFERENCE_DF_CL350		
Creator	PASATHORN	.BCP Name	INDEX_C3D_KITCHEN2
Reviewer		Order	I002367
Approves	P.SAWAI	Date	20/06/2023

REFERENCE_DF_CL350-350X12X150

Colour

02.43=FOIL AP7 AQ-152-12KBWG (AQ PAPER)

Edge

01.255=1 RHODES AP7

K100L-160131166
K101L-160131176
K102L-160131186
K102R-160123111
K103R-160131196
K105R-160131209
K108L-160123120
K108R-160123129
K109R-160123138
K110R-160123152

K112L-160123160
K113-160134022
K114L-160129206
K117L-160123170
K118R-160131219
K119R-160134173
K122L-160123183
K123L-160123193
K123R-160123203
K124R-160134041

K126R-160131546
K127L-160134193

R&D REVIEW	
<input checked="" type="checkbox"/>	DWG.Customer
<input checked="" type="checkbox"/>	Work Report
<input type="checkbox"/>	Function
<input type="checkbox"/>	สินค้าตรงตัวอย่าง
ผู้ทบทวน P.SAWAI	
20/06/2023	



ปิดขอบด้วยกาว PUR

Model	REFERENCE_D_PLT1050		
Creator	PASATHORN	.BCP Name	INDEX_C3D_KITCHEN2
Reviewer		Order	I002697
Approves	P.SAWAI	Date	17/10/2023

REFERENCE_D_PLT1050-1050X12X100

Colour

02.43=FOIL AP7 AQ-152-12KBWG (AQ PAPER)

Edge

01.255=1 RHODES AP7

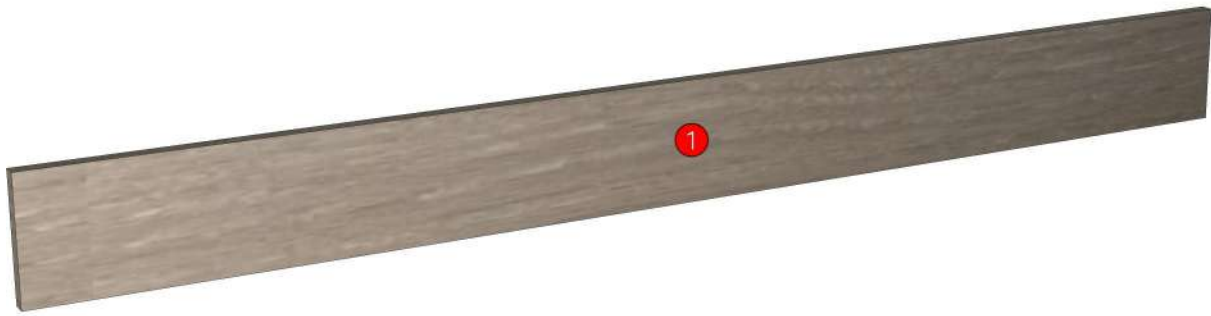
R&D REVIEW	
<input checked="" type="checkbox"/>	DWG.Customer
<input checked="" type="checkbox"/>	Work Report
<input type="checkbox"/>	Function
<input type="checkbox"/>	สินค้าตรงตัวอย่าง
ผู้ทบทวน P.SAWAI	

K113-160134022

K114L-160129206



K124R-160134041



ปิดขอบด้วยกาว PUR

Model	REFERENCE_D_PLT2000		
Creator	PASATHORN	.BCP Name	INDEX_C3D_KITCHEN2
Reviewer		Order	I002732
Approves		Date	07/11/2023

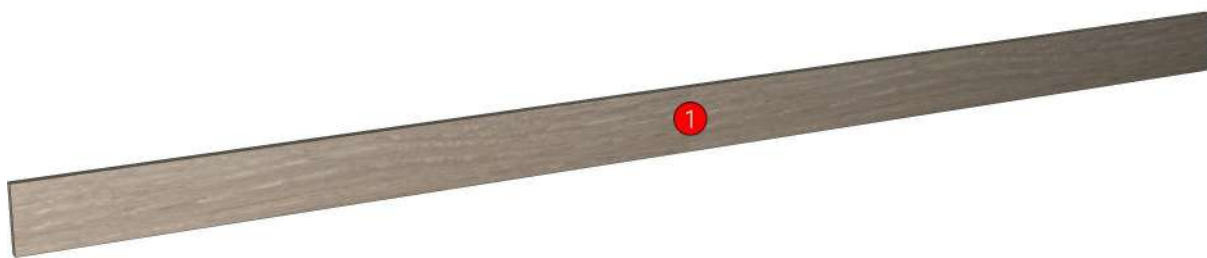
REFERENCE_D_PLT2000-2000X12X100

Colour

02.43=FOIL AP7 AQ-152-12KBWG (AQ PAPER)

Edge

01.255=1 RHODES AP7



ปิดขอบด้วยกาว PUR

Model	REFERENCE_D_PLT400		
Creator	PASATHORN	.BCP Name	INDEX_C3D_KITCHEN2
Reviewer		Order	I002730
Approves		Date	07/11/2023

REFERENCE_D_PLT400-400X12X100

Colour

02.43=FOIL AP7 AQ-152-12KBWG (AQ PAPER)

Edge

01.255=1 RHODES AP7



ปิดขอบด้วยกาว PUR

Model	REFERENCE_D_PLT520		
Creator	PASATHORN	.BCP Name	INDEX_C3D_KITCHEN2
Reviewer		Order	I002695
Approves	P.SAWAI	Date	16/10/2023

REFERENCE_D_PLT520-520X12X100

Colour

02.43=FOIL AP7 AQ-152-12KBWG (AQ PAPER)

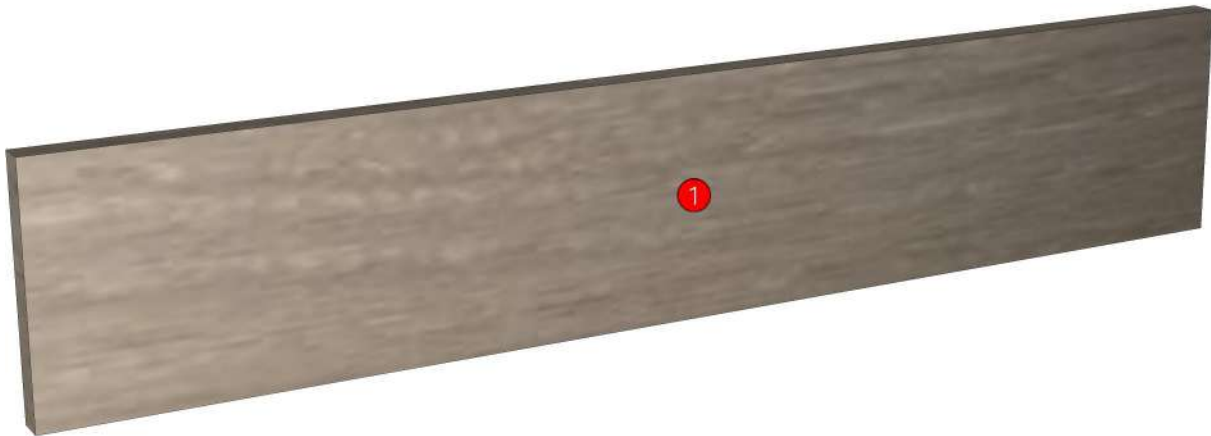
Edge

01.255=1 RHODES AP7

K113-160134022

K124R-160134041

R&D REVIEW	
<input checked="" type="checkbox"/>	DWG.Customer
<input checked="" type="checkbox"/>	Work Report
<input type="checkbox"/>	Function
<input type="checkbox"/>	สินค้าตรงตัวอย่าง
ผู้ทบทวน P.SAWAI	
16/10/2023	



ปิดขอบด้วยกาว PUR

Model	REFERENCE_D_PLT600		
Creator	PASATHORN	.BCP Name	INDEX_C3D_KITCHEN2
Reviewer		Order	I002357
Approves	P.SAWAI	Date	16/06/2023

REFERENCE_D_PLT600-600X12X100

Colour

02.43=FOIL AP7 AQ-152-12KBWG (AQ PAPER)

Edge

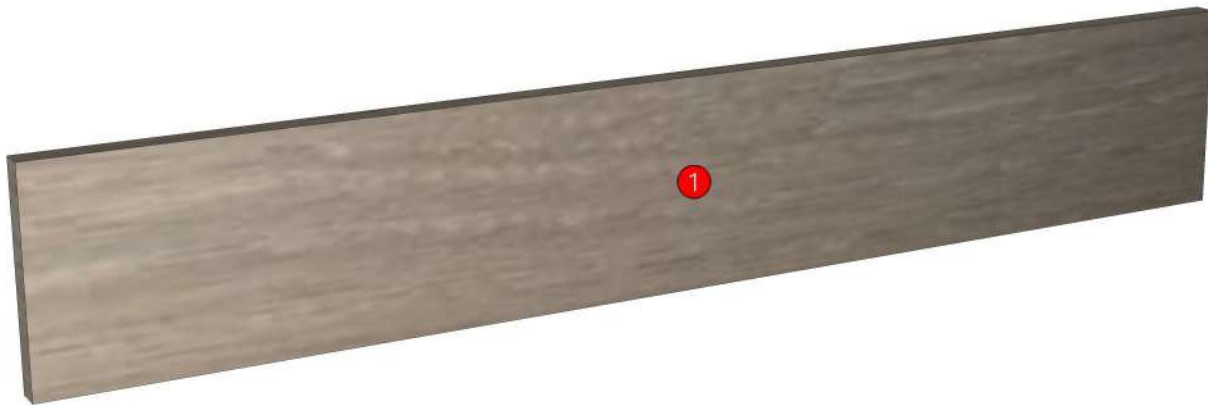
01.255=1 RHODES AP7

K100L-160131166
K101L-160131176
K102L-160131186
K102R-160123111
K103R-160131196
K105R-160131209
K108L-160123120
K108R-160123129
K109R-160123138
K110R-160123152

K112L-160123160
K113-160134022
K114L-160129206
K117L-160123170
K118R-160131219
K119R-160134173
K122L-160123183
K123L-160123193
K123R-160123203
K124R-160134041

K126R-160131546
K127L-160134193

R&D REVIEW	
<input checked="" type="checkbox"/>	DWG.Customer
<input checked="" type="checkbox"/>	Work Report
<input type="checkbox"/>	Function
<input type="checkbox"/>	สินค้าตรงตัวอย่าง
ผู้ทบทวน P.SAWAI	



ปิดขอบด้วยกาว PUR

Model	REFERENCE_DDM1250		
Creator	PASATHORN	.BCP Name	INDEX_C3D_KITCHEN2
Reviewer		Order	I002551
Approves	P.SAWAI	Date	06/09/2023

REFERENCE_DDM1250-1250X6X550

Colour

03.13=PVC WHITE#630 T0.15MM.

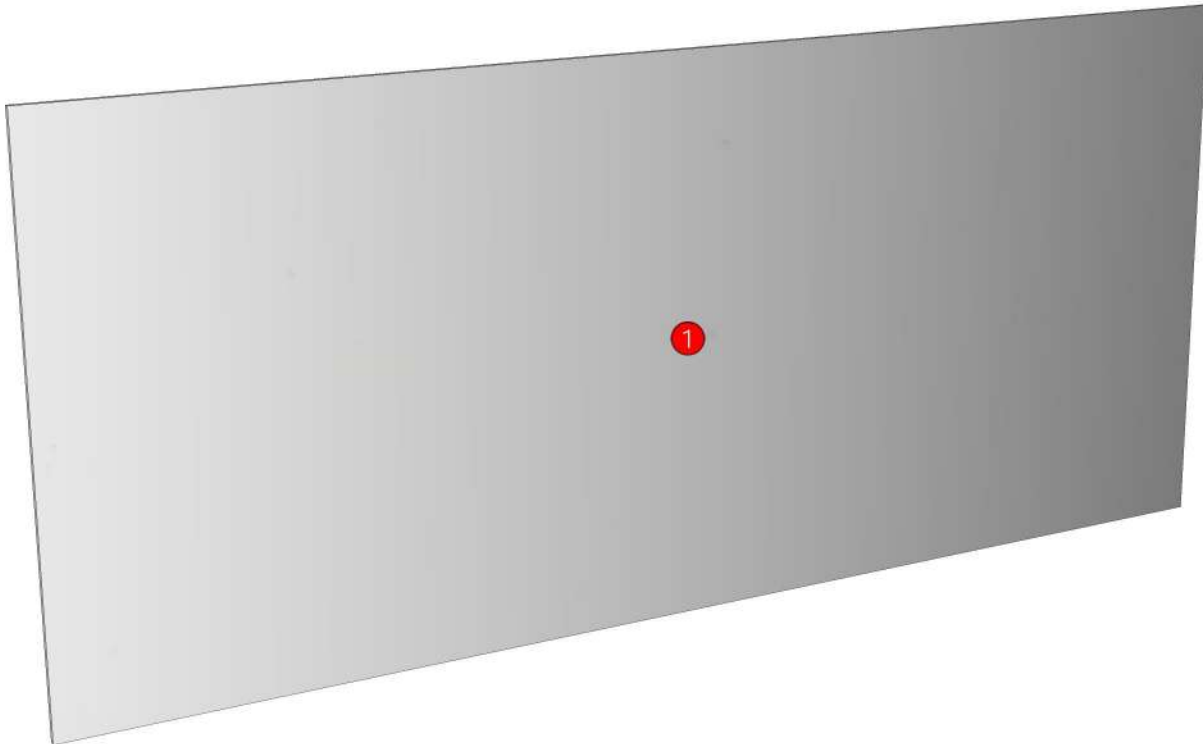
Edge

=

R&D REVIEW	
<input checked="" type="checkbox"/>	DWG.Customer
<input checked="" type="checkbox"/>	Work Report
<input type="checkbox"/>	Function
<input type="checkbox"/>	สินค้าตรงตัวอย่าง
ผู้ทบทวน P.SAWAI	
06/09/2023	

K109R-160123138

K126R-160131546



Model	REFERENCE_DDM1550		
Creator	PASATHORN	.BCP Name	INDEX_C3D_KITCHEN2
Reviewer		Order	I002742
Approves	P.SAWAI	Date	09/11/2023

REFERENCE_DDM1550-1550X6X550

Colour

03.13=PVC WHITE#630 T0.15MM.

Edge

=

K113-160134022

R&D REVIEW	
<input checked="" type="checkbox"/>	DWG.Customer
<input checked="" type="checkbox"/>	Work Report
<input type="checkbox"/>	Function
<input type="checkbox"/>	สินค้าตรงตัวอย่าง
ผู้ทบทวน P.SAWAI	
09/11/2023	

