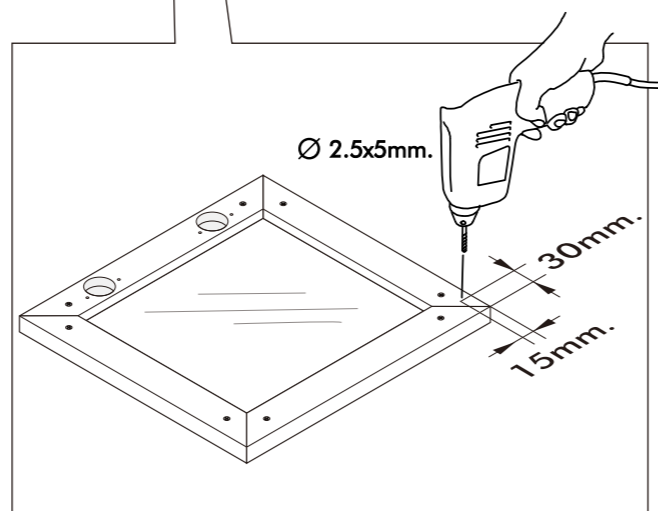
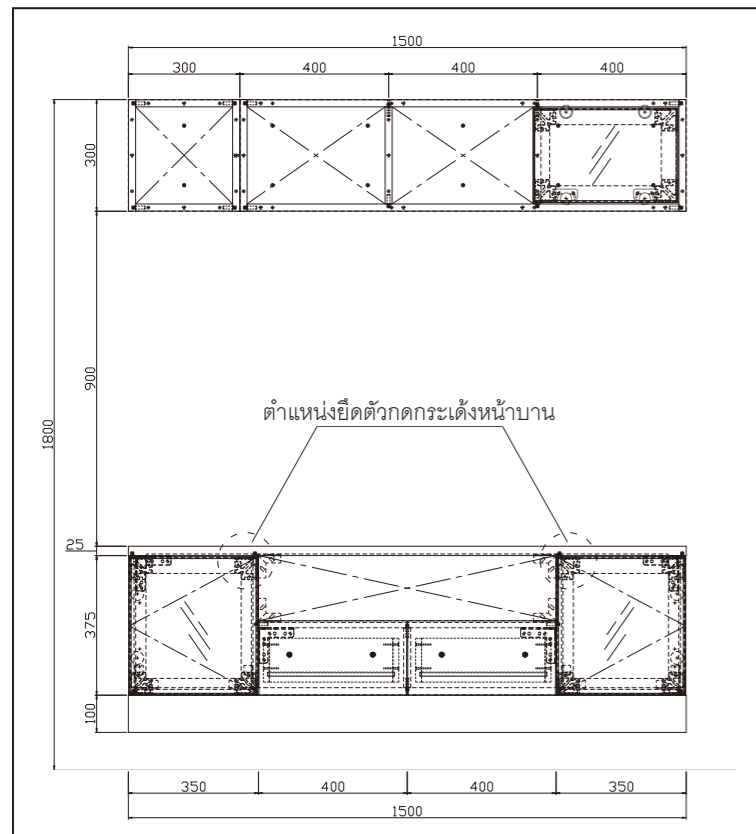
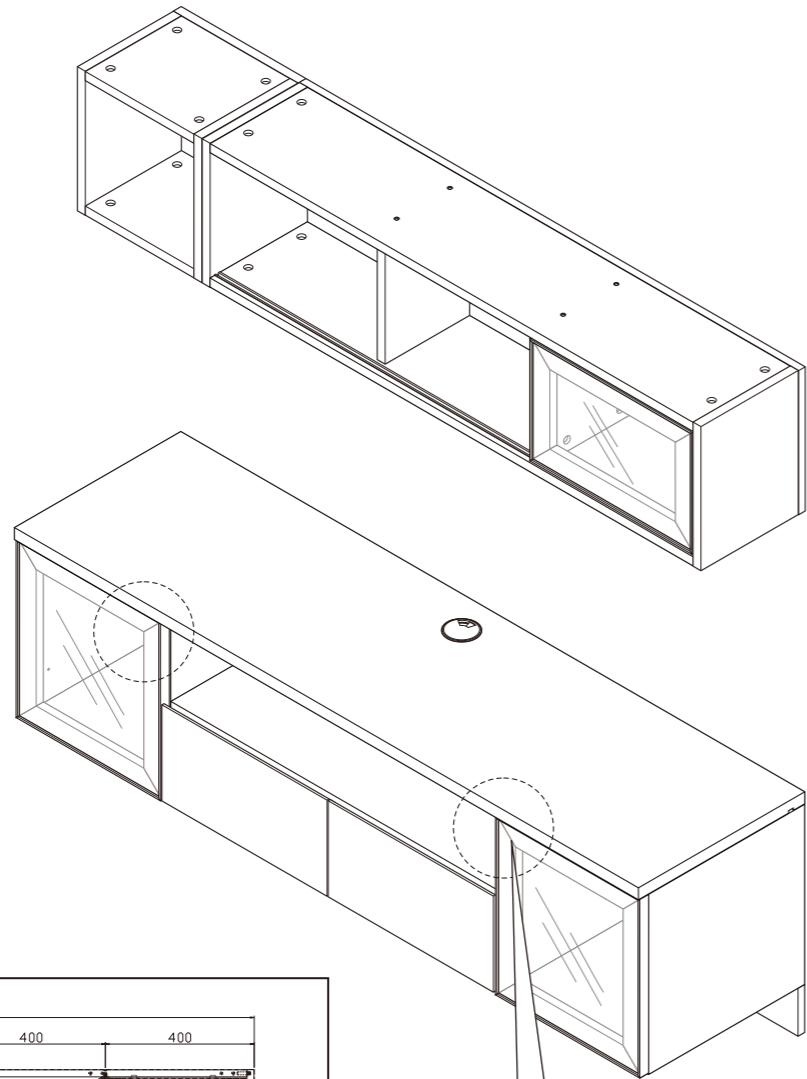


# (N3) Tv cabinet

## SUPALAI CITY RESORT CHARAN 91



# Assembly

