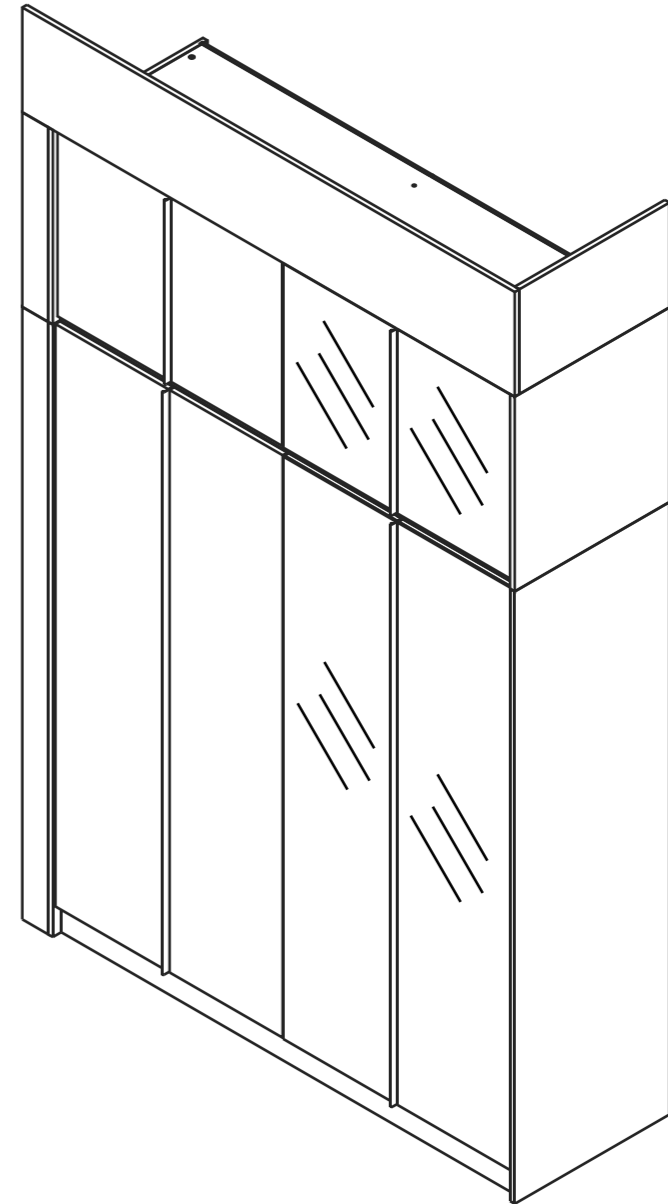


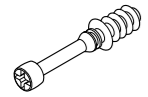
ตู้เสื้อผ้า 185x60x300 cm.(N15R)



PJ.KNIGHT-RT

HARDWARE

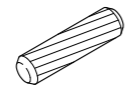
-BODY SET



x 28



x 28



x 28

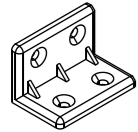


M4x16mm.

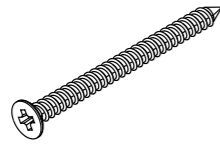
x 80



x 4



x 9



M4x50mm.

x 24



x 6

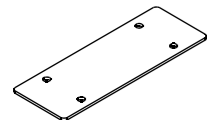


x 6



M3.5x13mm.

x 20

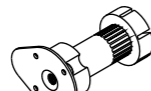


x 2



M4x16mm.

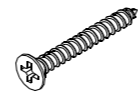
x 8



x 9

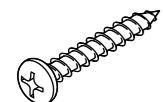


x 4



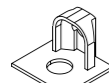
M4x30mm.

x 40



M4x30 mm.

x 44



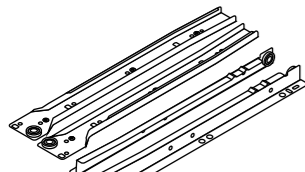
x 8



Ø11mm.

x 8

-DRAWER SET

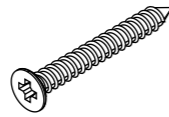


x 1



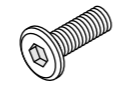
M3.5x13mm.

x 14



M4x40mm.

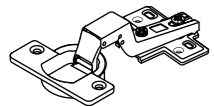
x 8



TFL4 M6x25

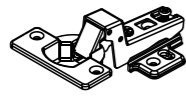
x 2

-DOOR SET



(INSERT MOUNTING)

x 12



(HALF OVERLAY)

x 12



M4x16mm.

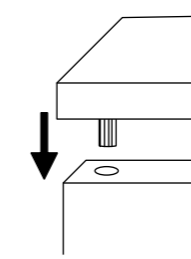
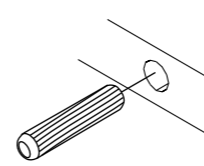
x 144



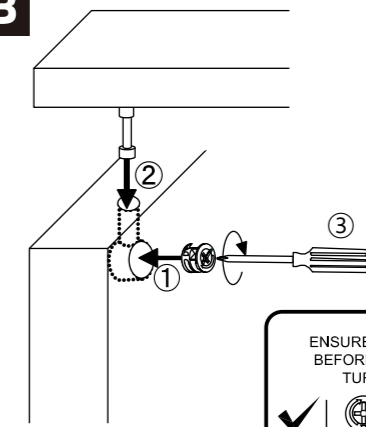
x 16

CONNECT SYSTEM

1



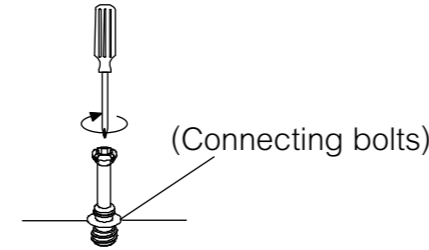
3



WHEN FITTING CAMS
ENSURE STARTING POSITION IS CORRECT
BEFORE YOU INSERT CONNECTING BOLT
TURN CLOCKWISE UNTIL SECURE

✓				✗
	↑	↑	↑	
	CORRECT	WRONG		

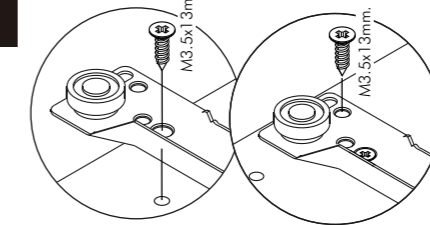
2



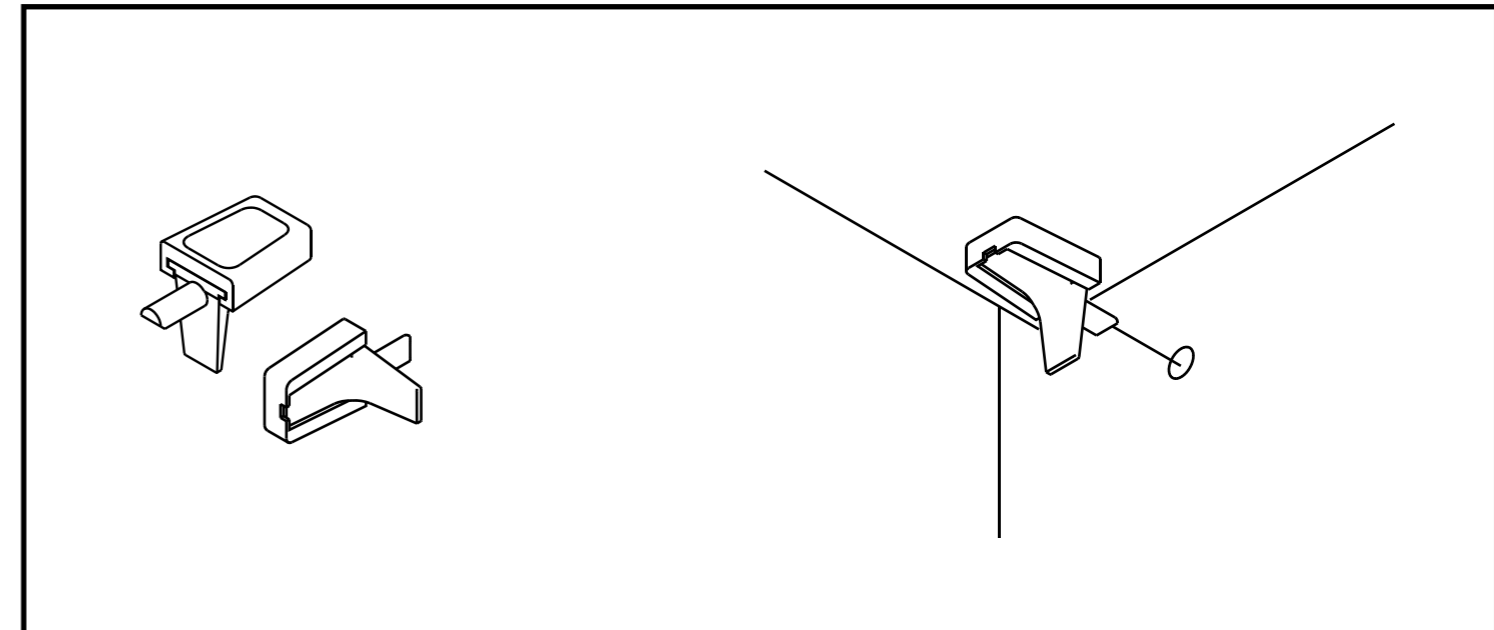
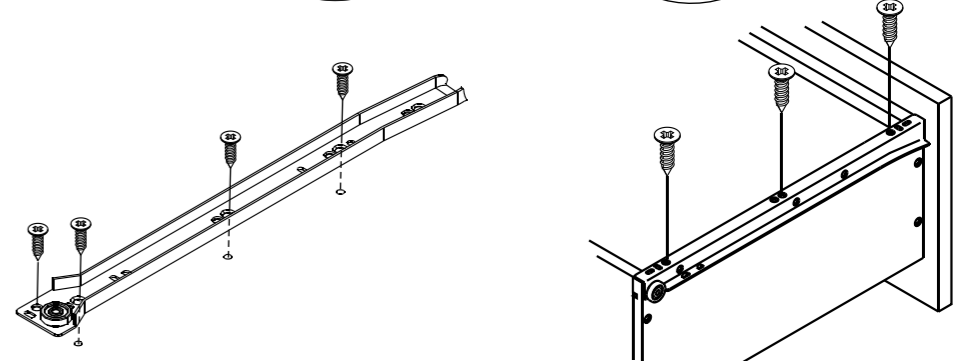
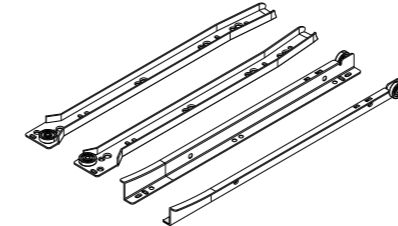
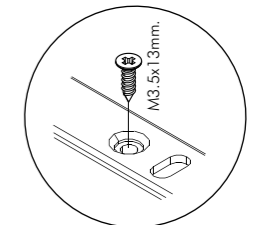
1



M3.5x13mm.



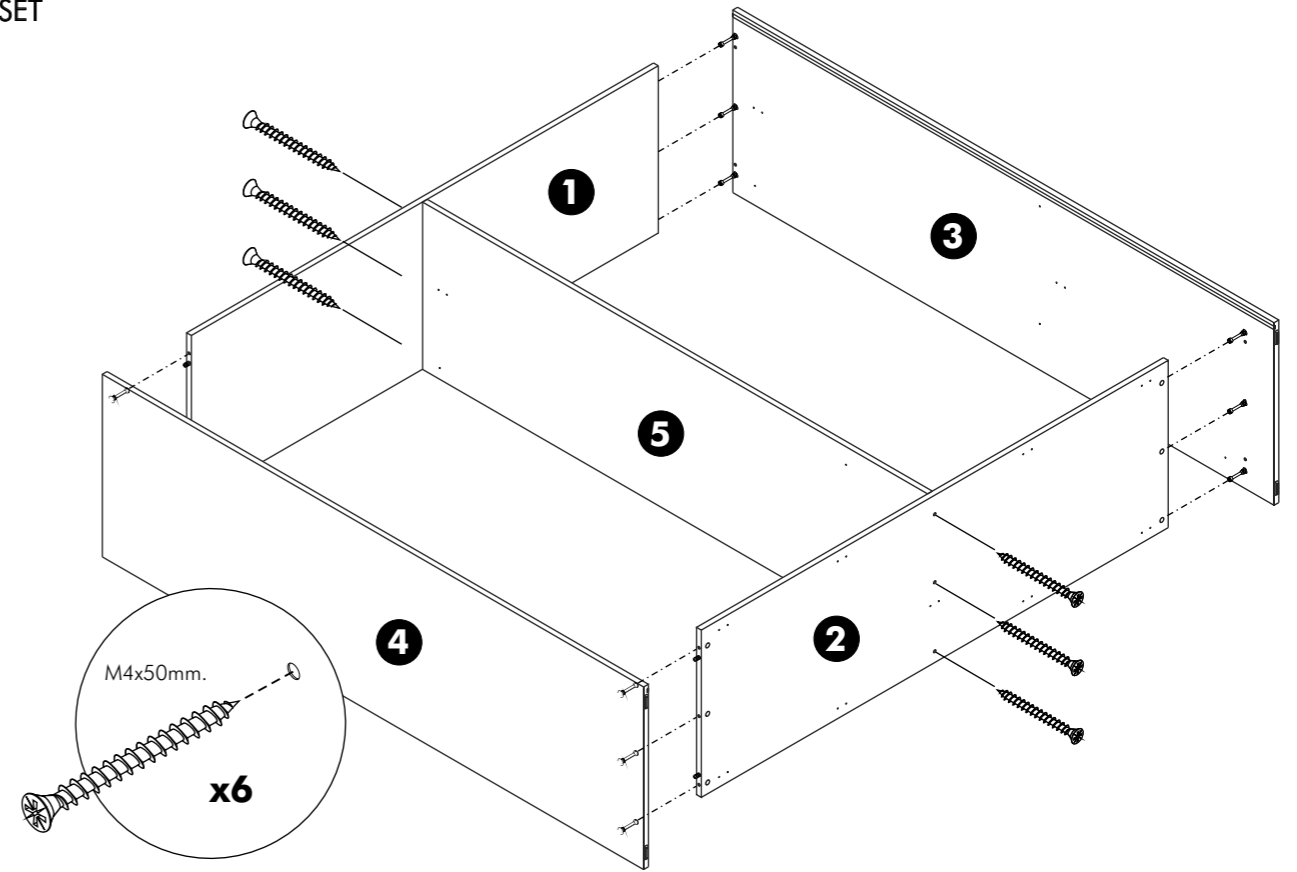
2



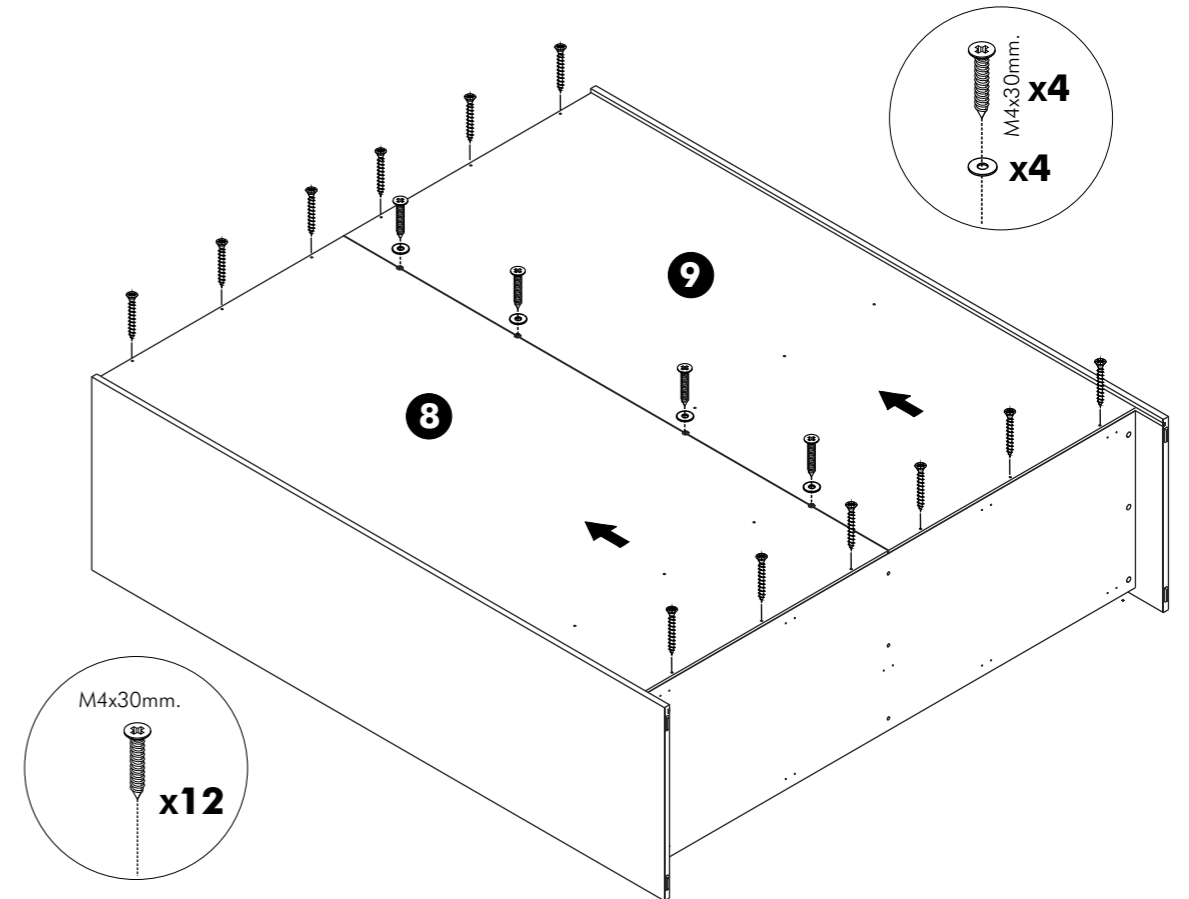
ASSEMBLY

-BODY SET

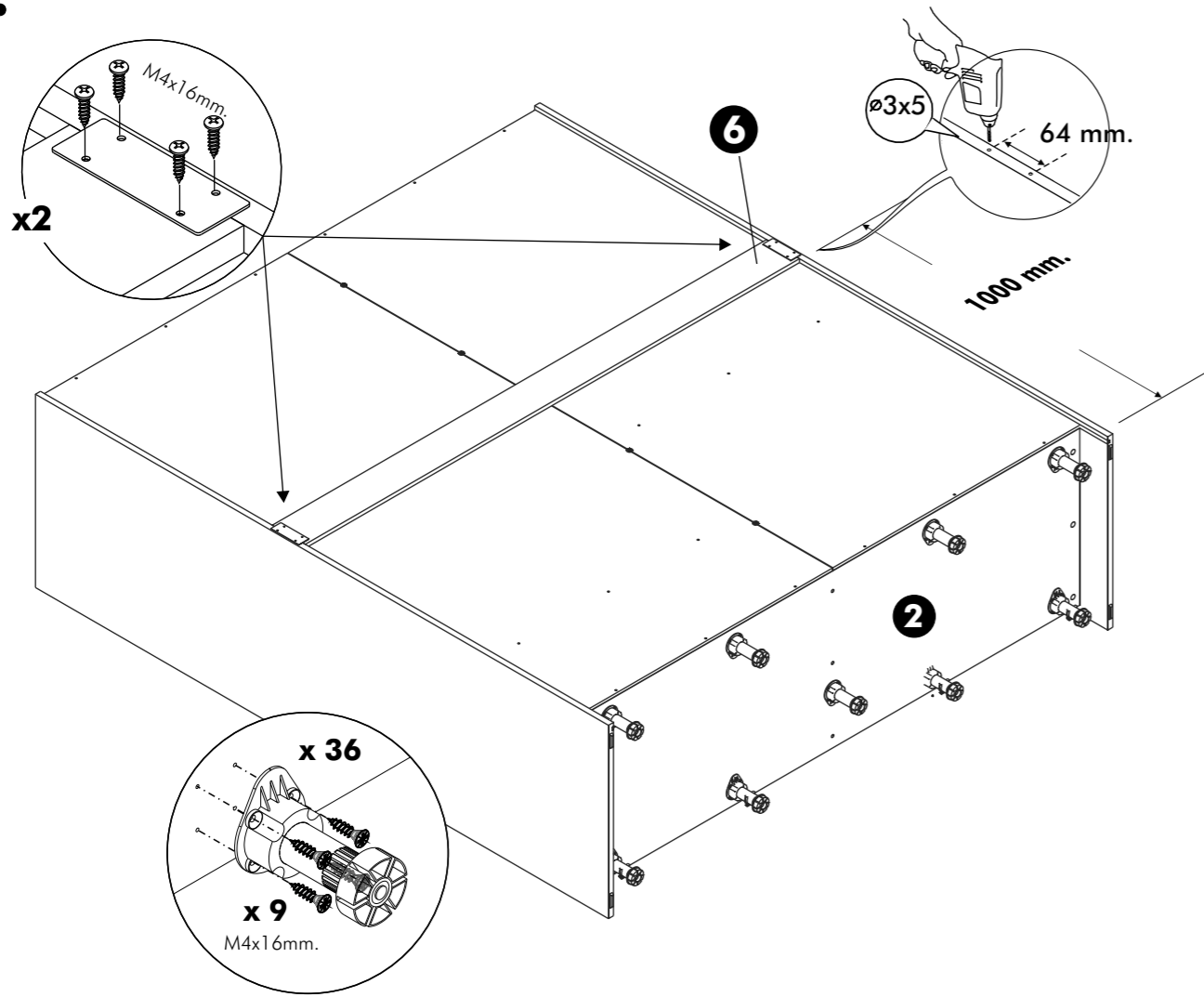
1.



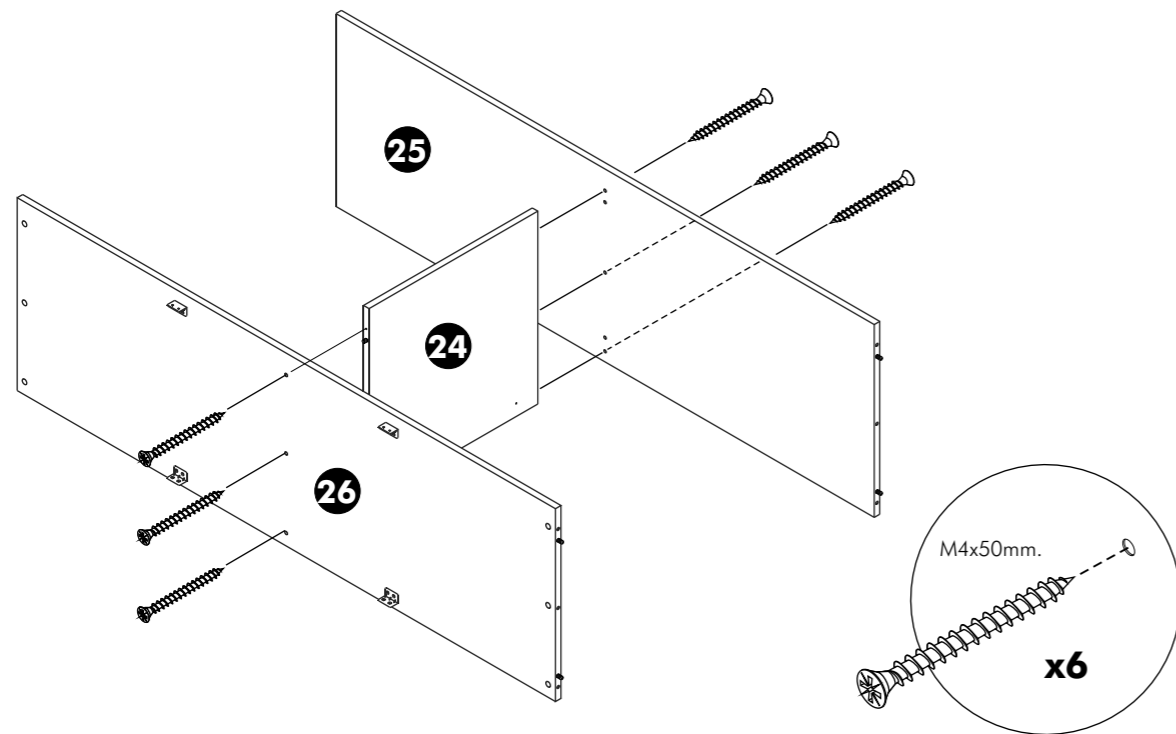
2.



3.

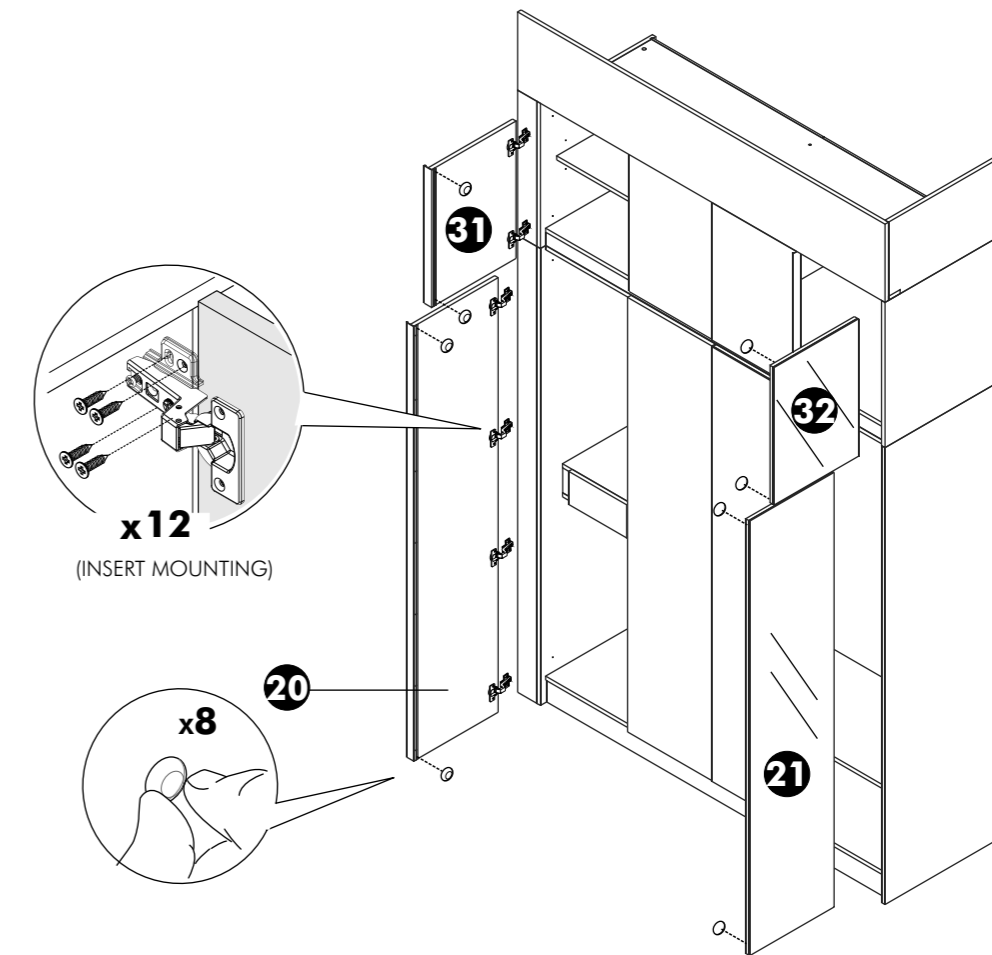
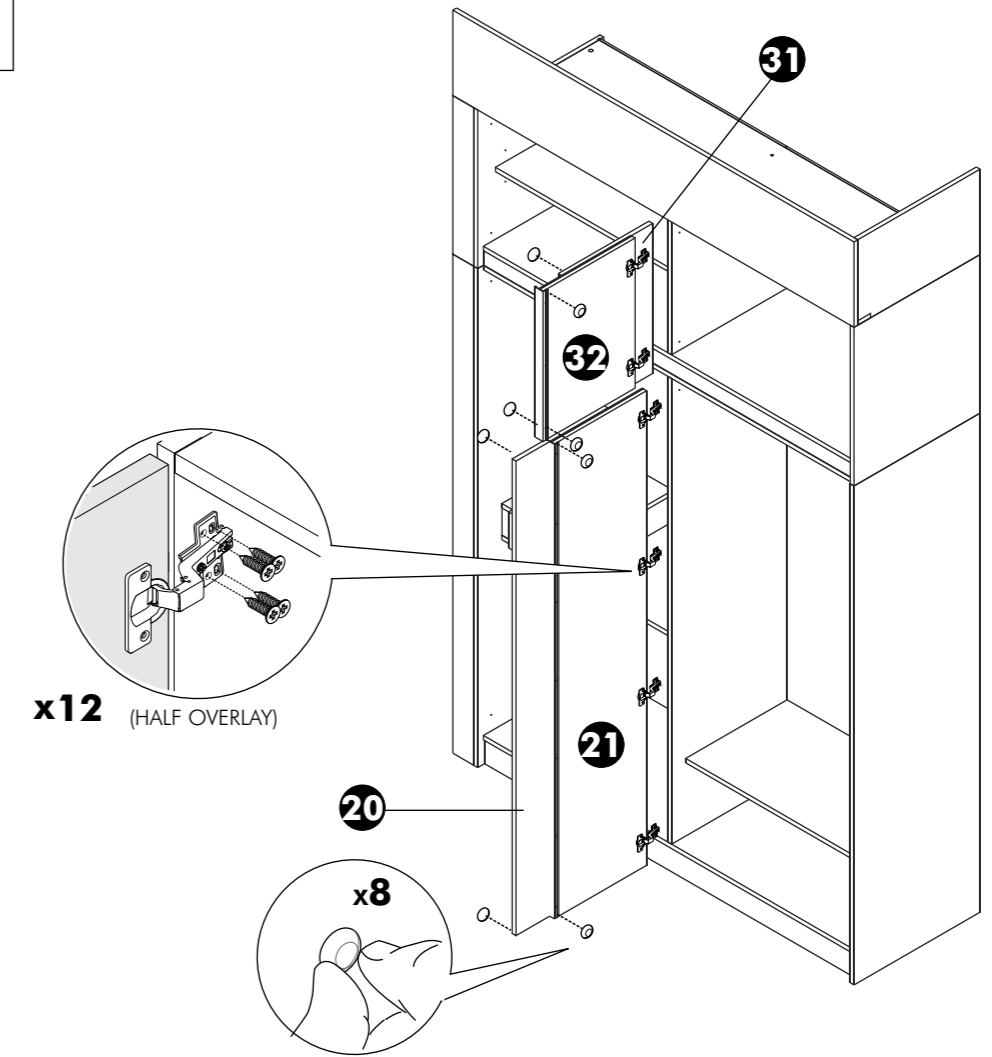


4.

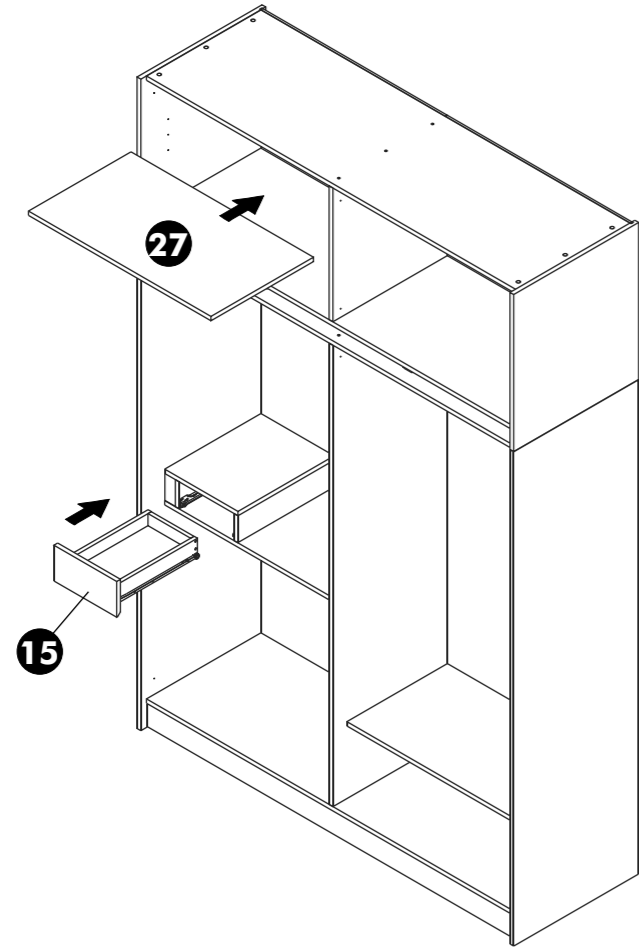


ASSEMBLY

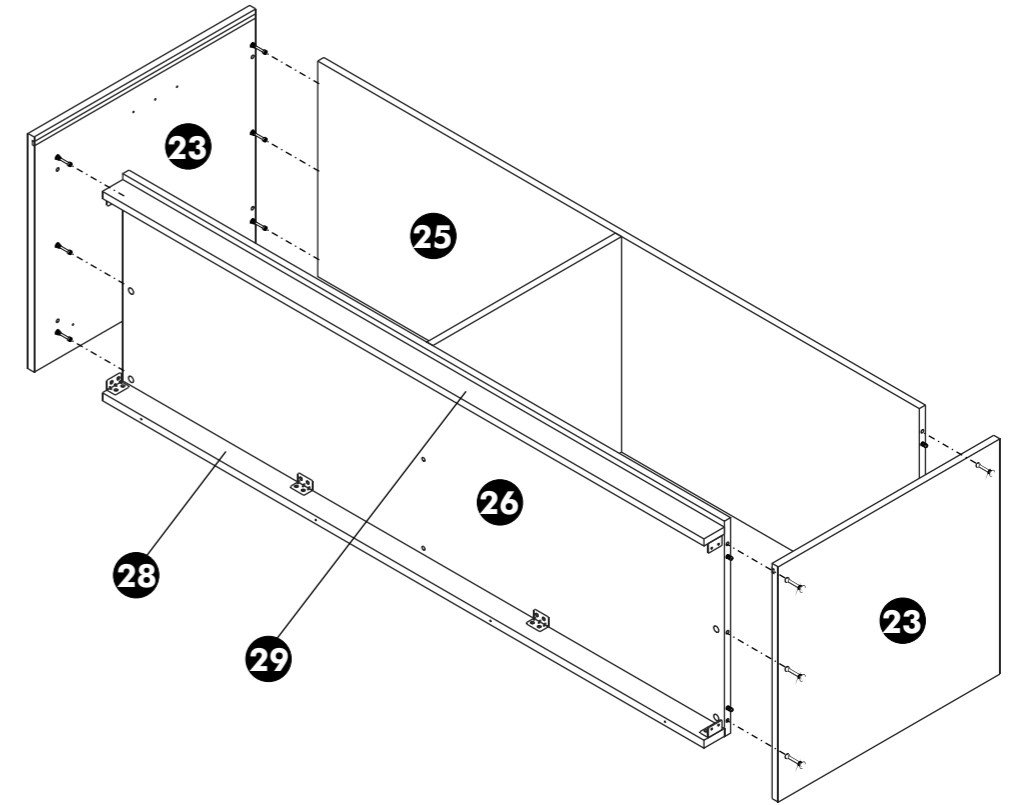
-DOOR SET



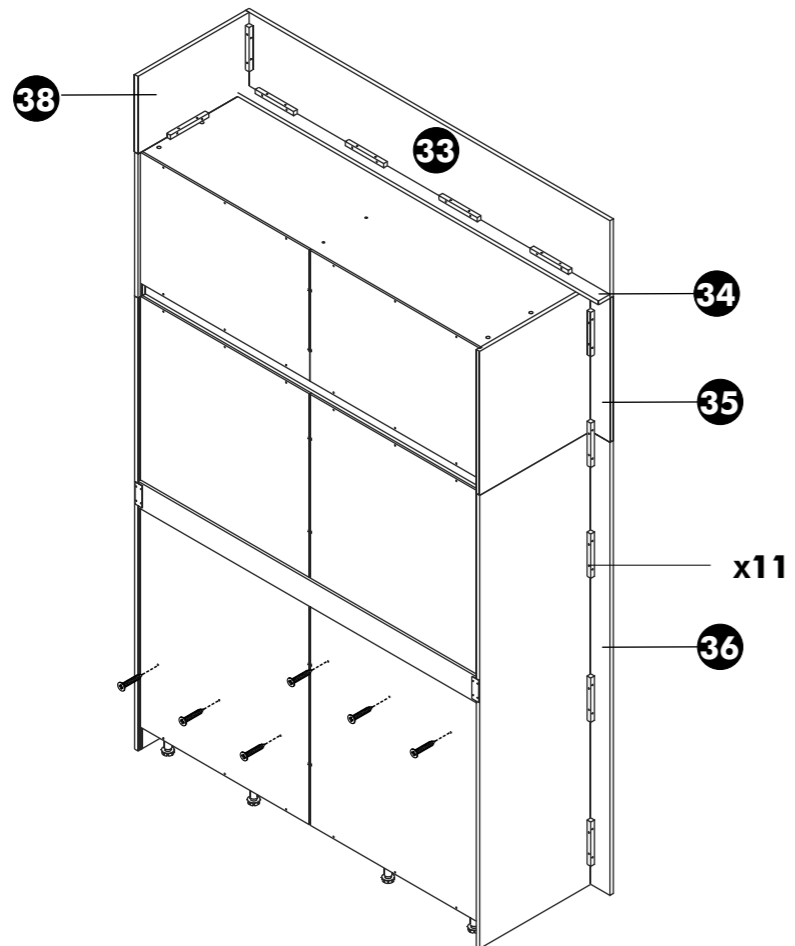
10.



5.



11.



6.

