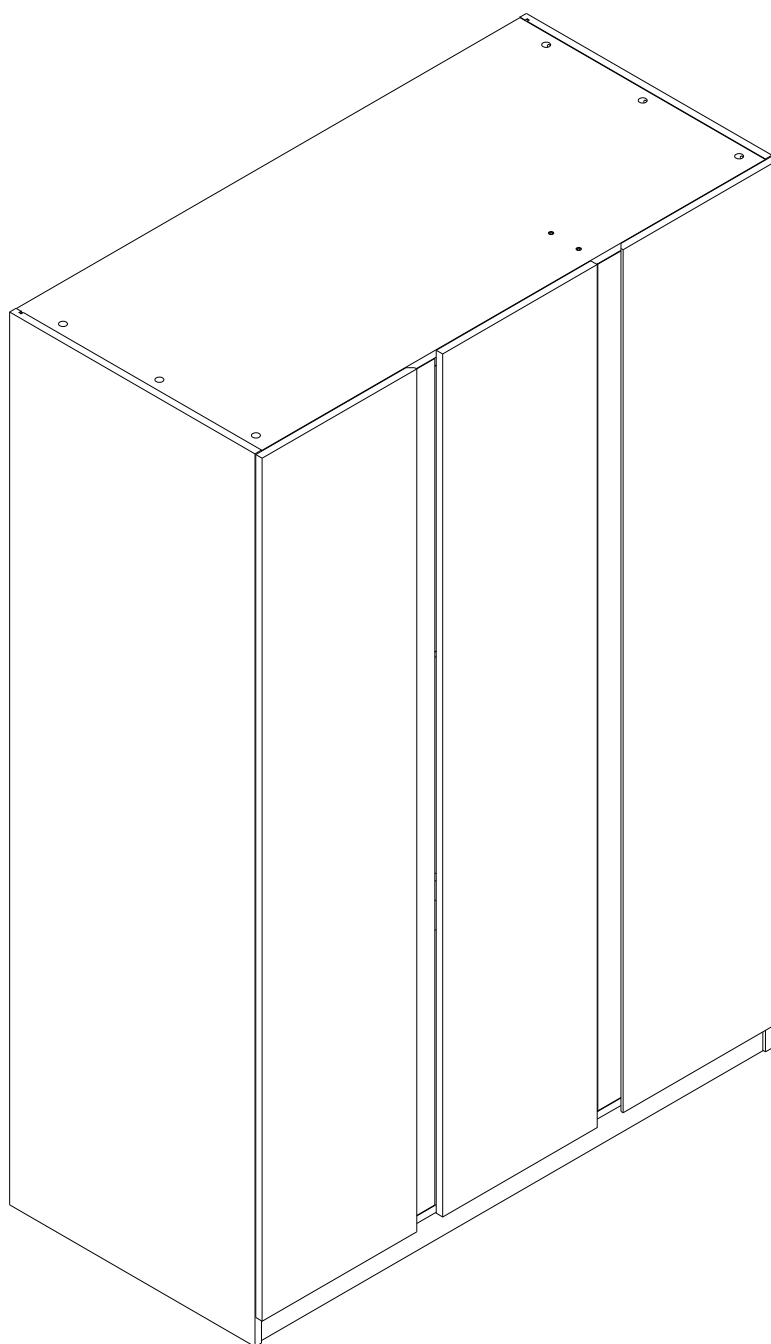


# VIVO

## Wardrobe 3 doors



# CONNECT SYSTEM

**1**

**3**

**2**

(Connecting bolts)

**WHEN FITTING CAMS**  
 ENSURE STARTING POSITION IS CORRECT  
 BEFORE YOU INSERT CONNECTING BOLT  
 TURN CLOCKWISE UNTIL SECURE

✓				✗
↑				
	<b>CORRECT</b>	<b>WRONG</b>		

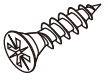
M4x13mm.

**i**

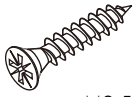
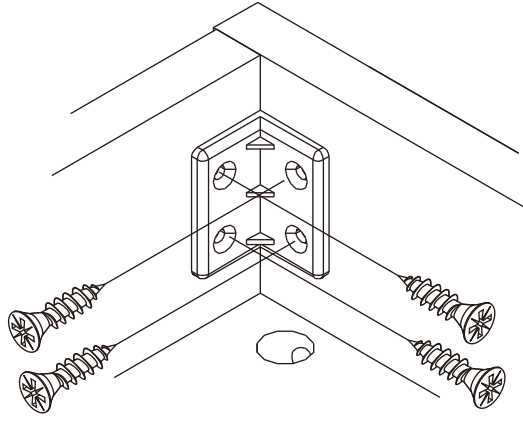
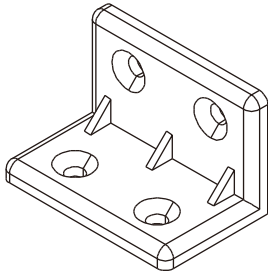
40mm.

EQ

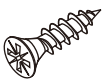
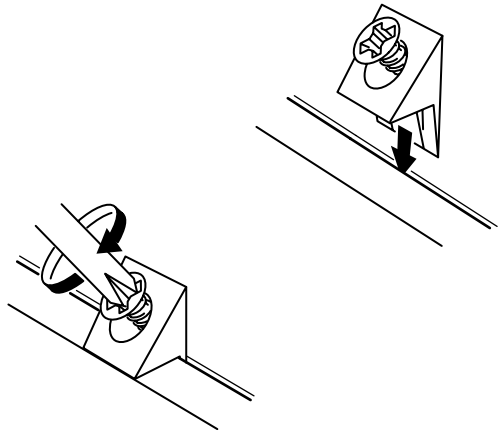
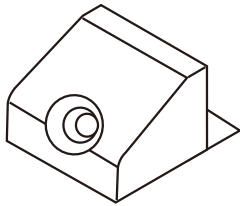
M3.5x20mm.



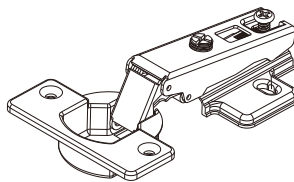
M4x13mm.



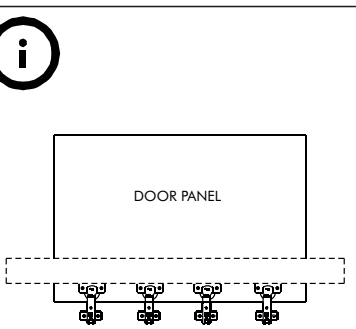
M3.5x20mm.



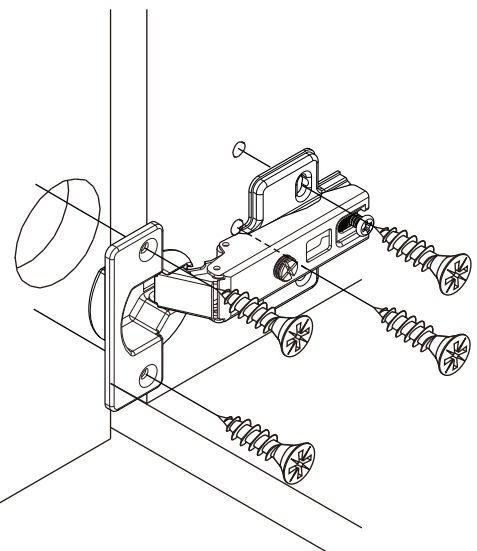
M4x16mm.



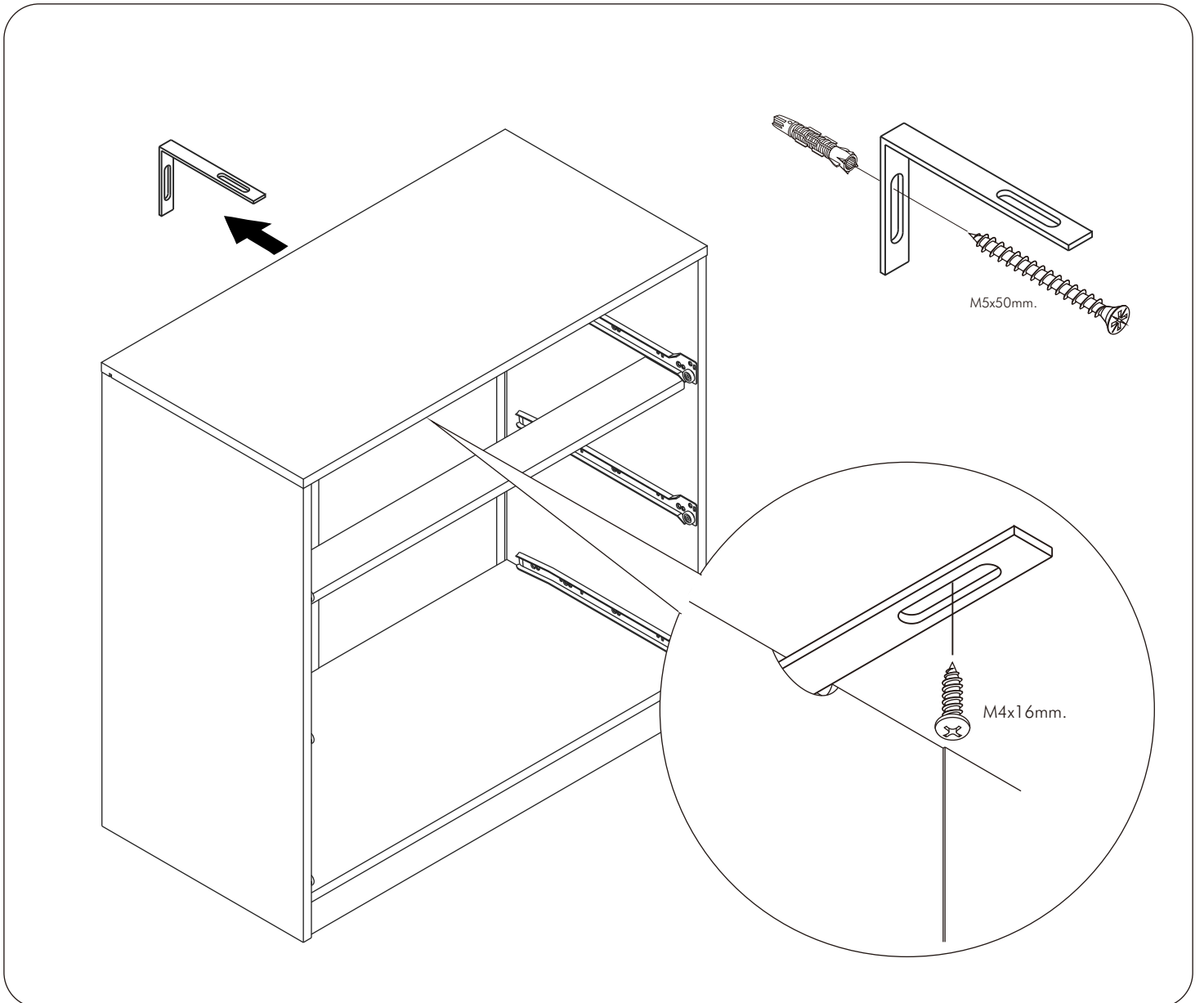
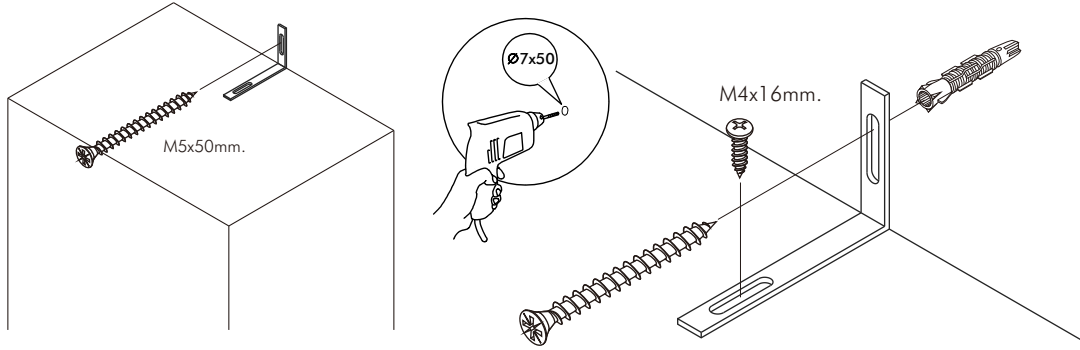
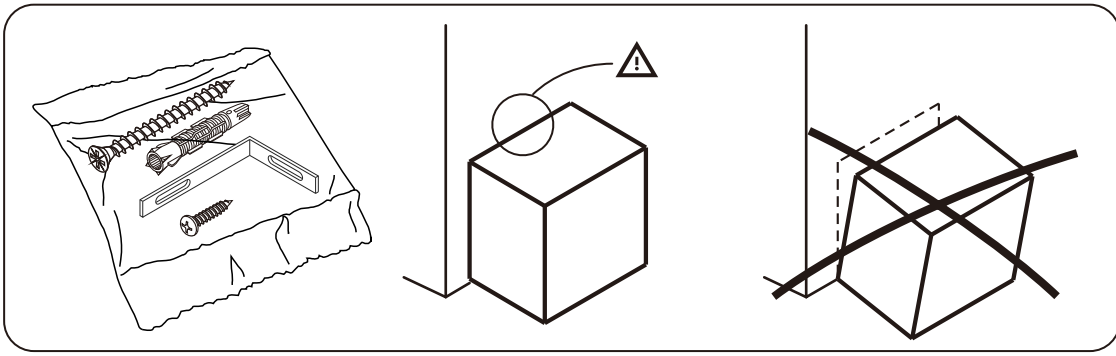
(FULL OVERLAY)



DOOR PANEL

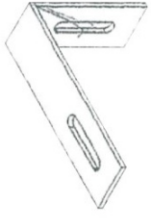


**x2**

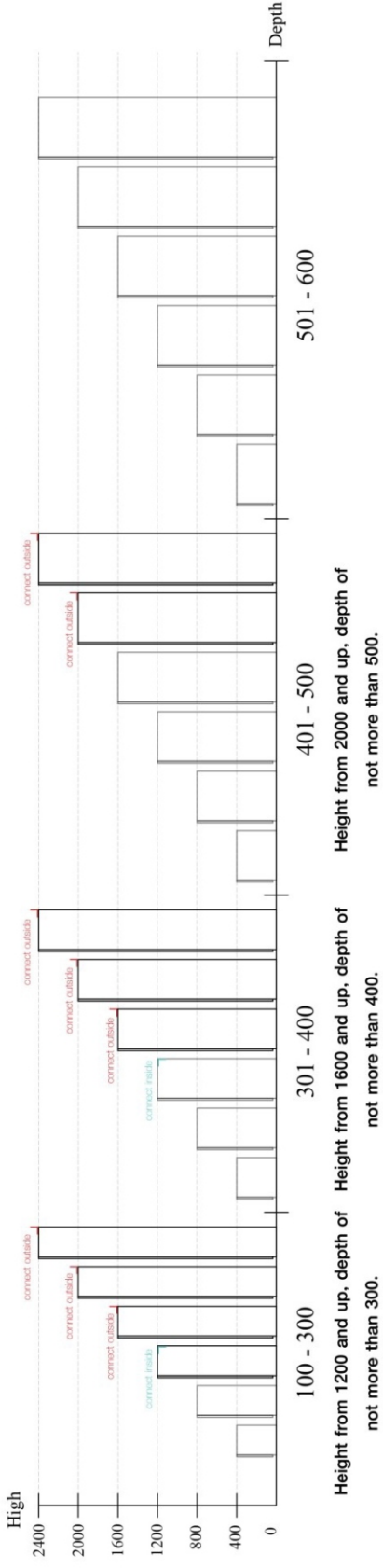


**The Standard for identifying which mounted safety fall protection fitting to use** **Note : That children's products must be installed with all anti-falling fittings.**

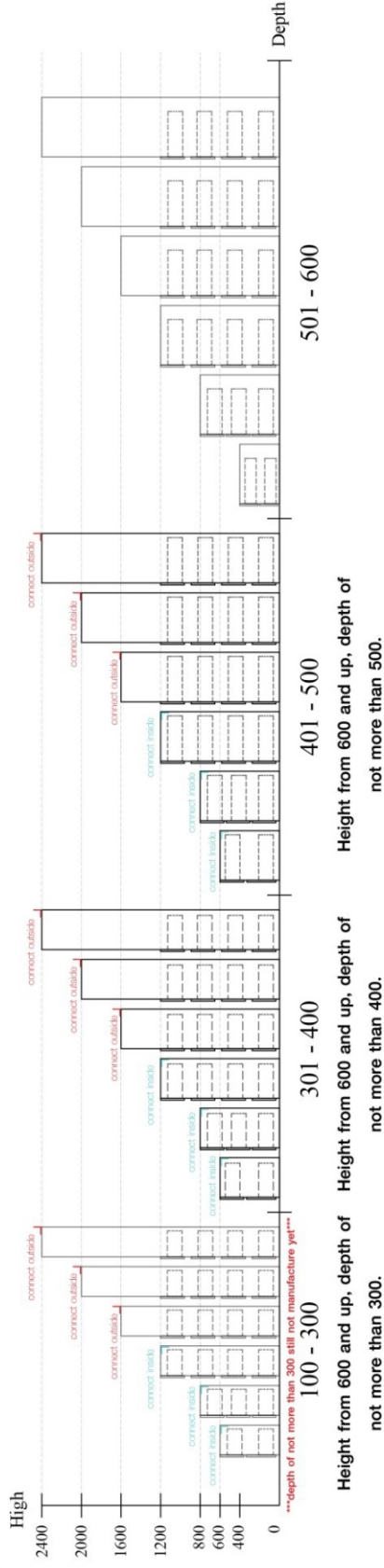
■ Mounted fall protection fittings



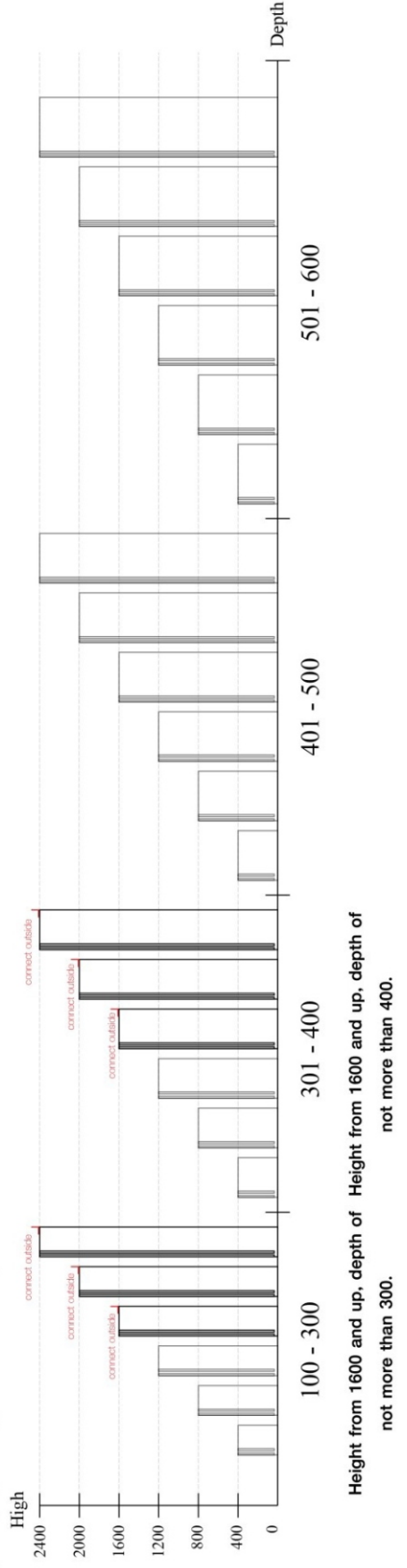
■ Category : Cabinet with open doors



■ Category : Chest of drawers

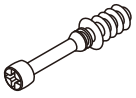


■ Category : Sliding door cabinet / Open cabinet



# HARDWARE

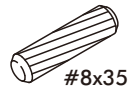
## -BODY SET



**x 10**

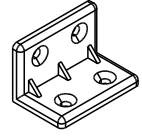


**x 10**

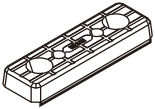


#8x35

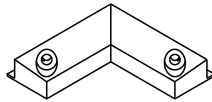
**x 14**



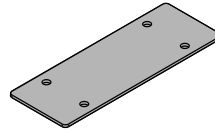
**x 18**



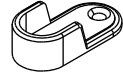
**x 12**



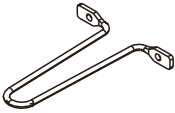
**x 2**



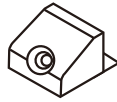
**x 4**



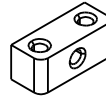
**x 2**



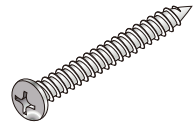
**x 1**



**x 15**

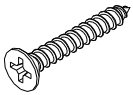


**x 2**



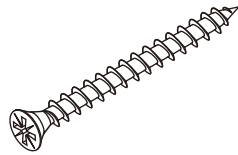
M4x50mm.

**x 4**



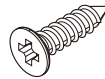
M4x25mm.

**x 16**



M4x50mm.

**x 5**



M4x13mm.

**x 112**



M3.5x20mm.

**x 19**



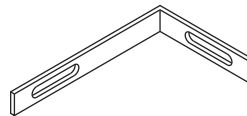
M4x13mm.

**x 17**

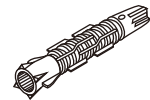


M3.5x13mm.

**x 4**



**x 2**

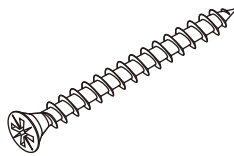


**x 2**



M4x16mm.

**x 2**



M5x50mm.

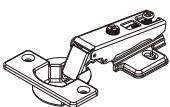
**x 2**



**x 6**



**x 10**



(FULL OVERLAY)

**x 9**



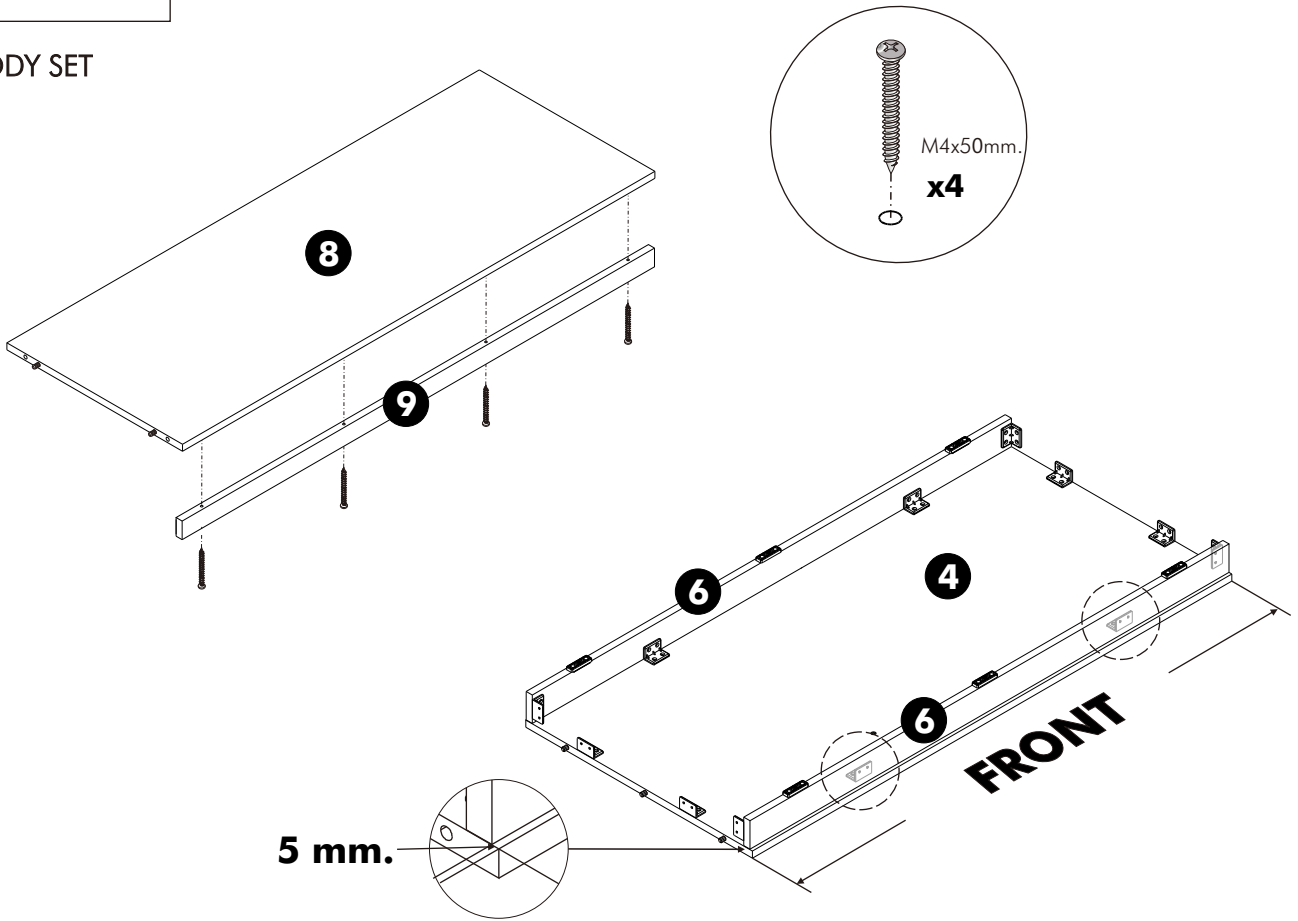
M4x16mm.

**x 36**

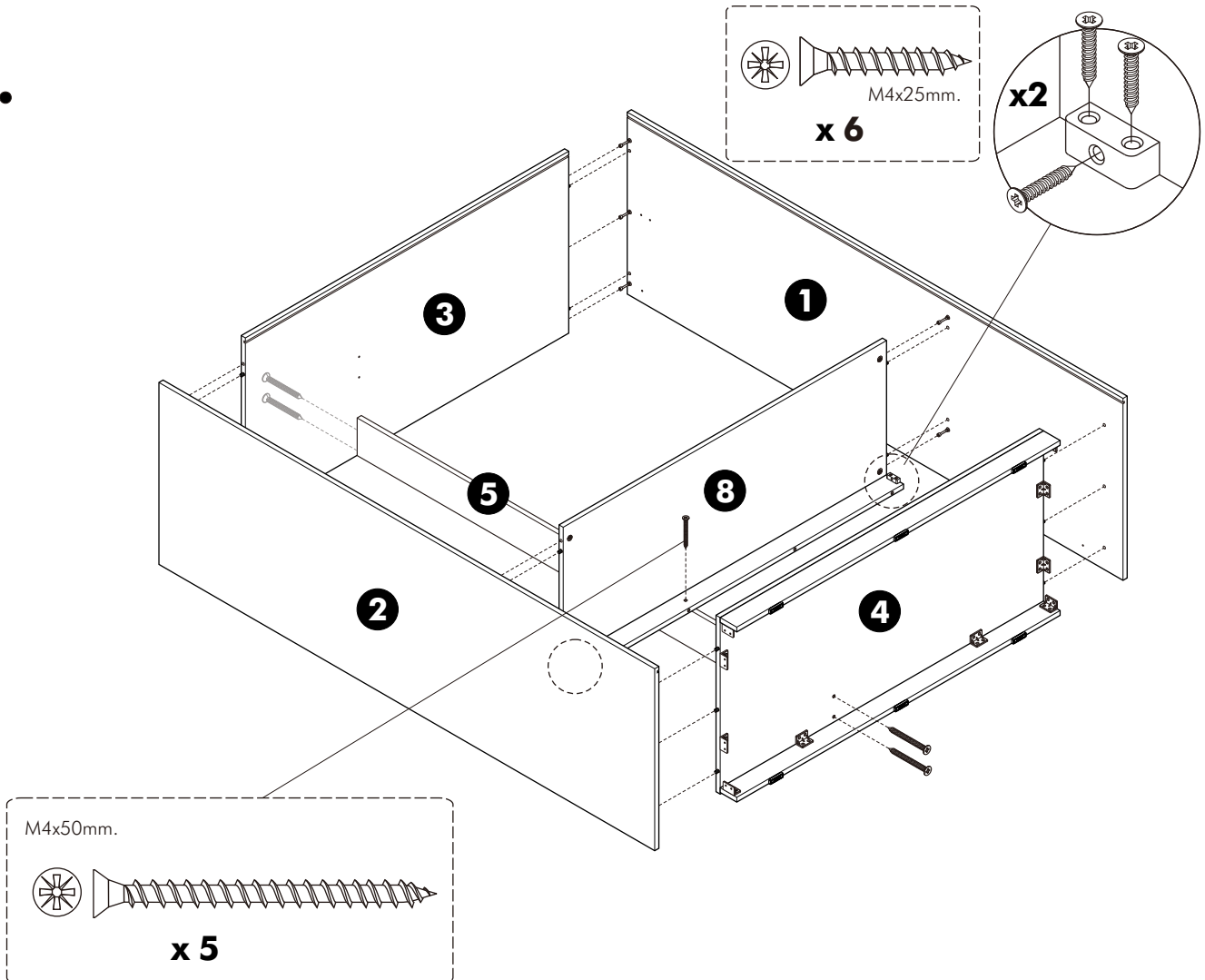
# ASSEMBLY

-BODY SET

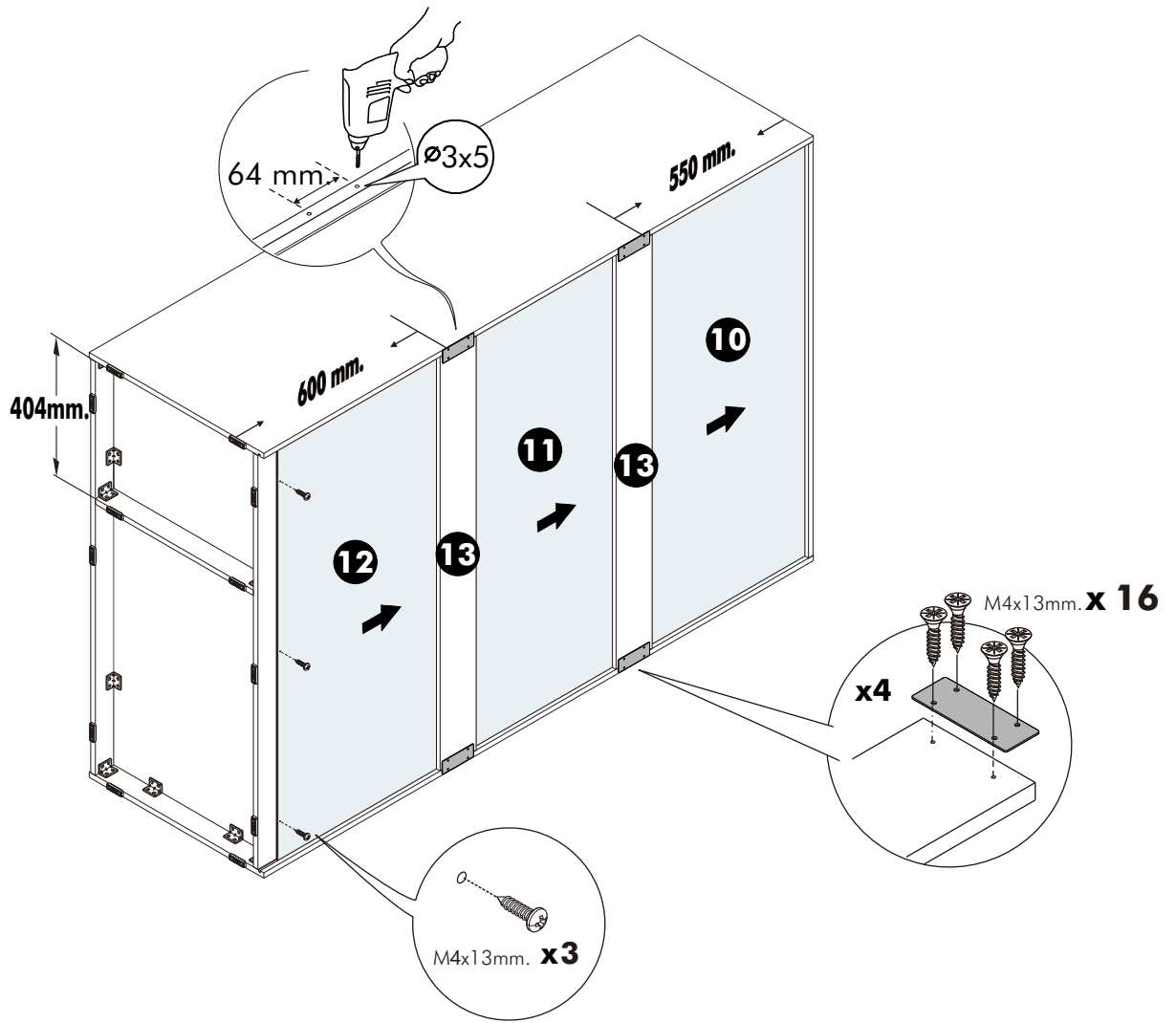
**1.**



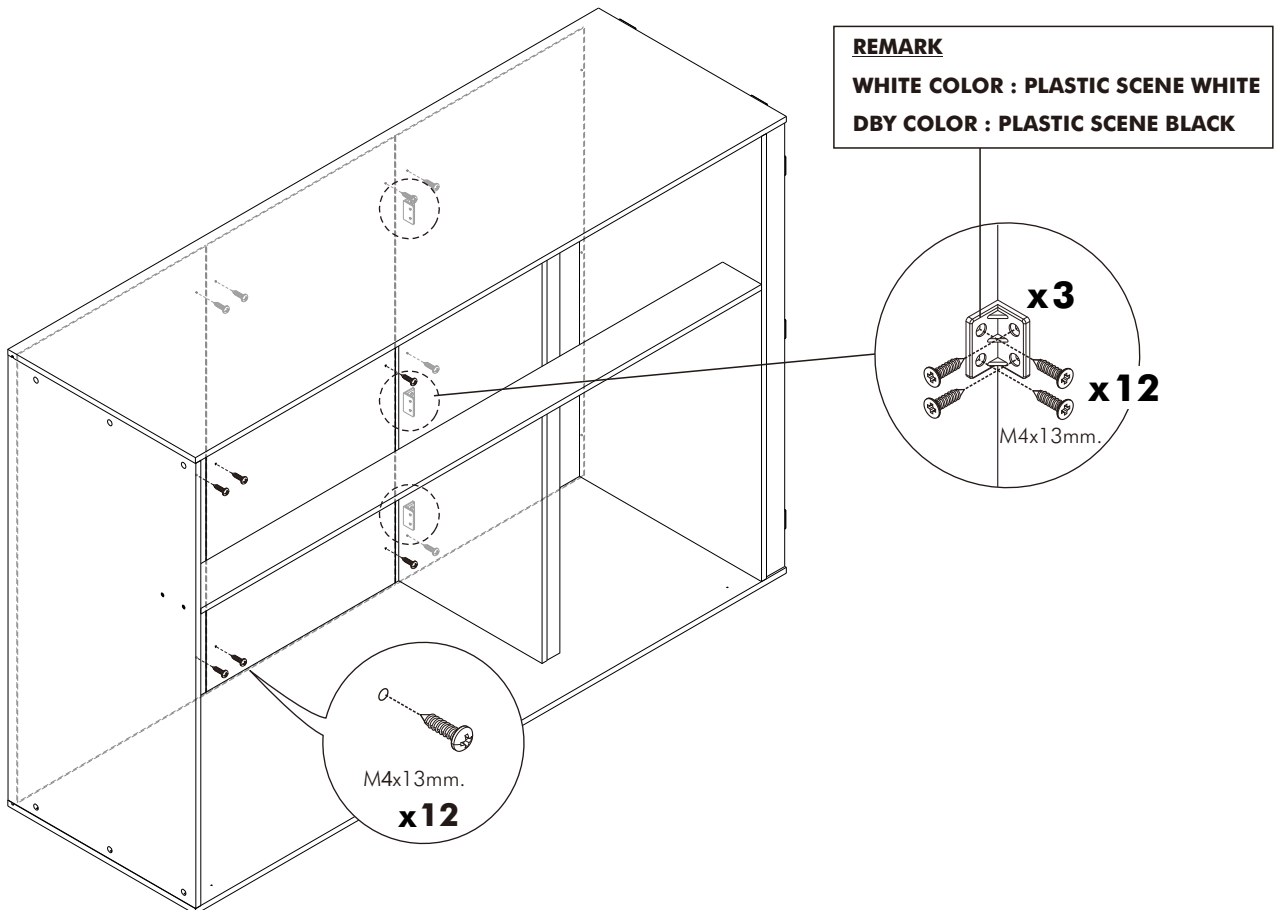
**2.**



**3.**

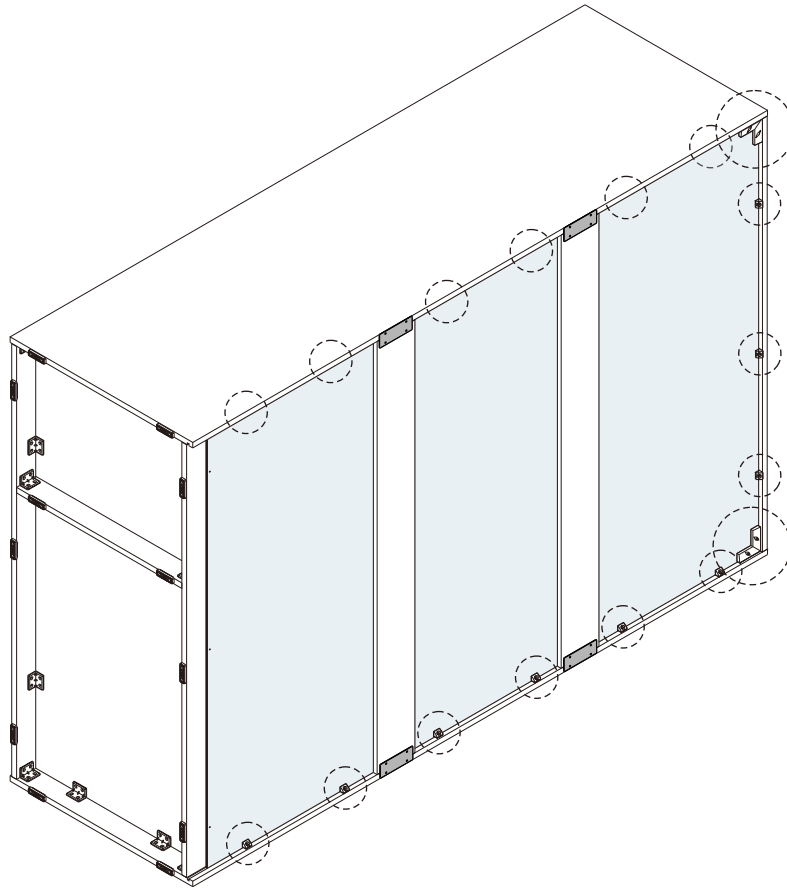


**4.**

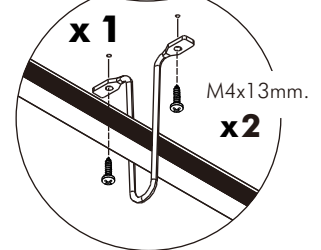
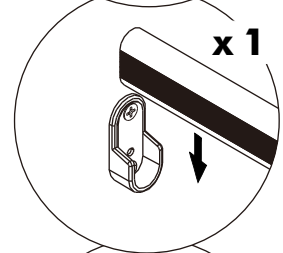
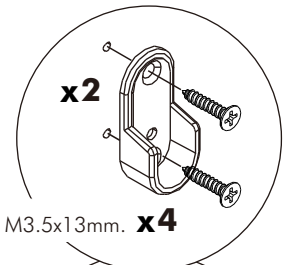
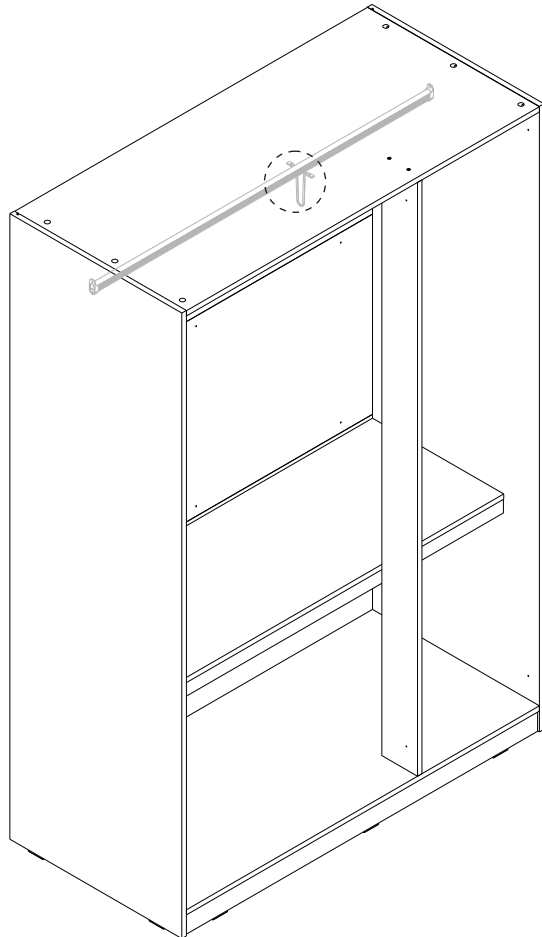




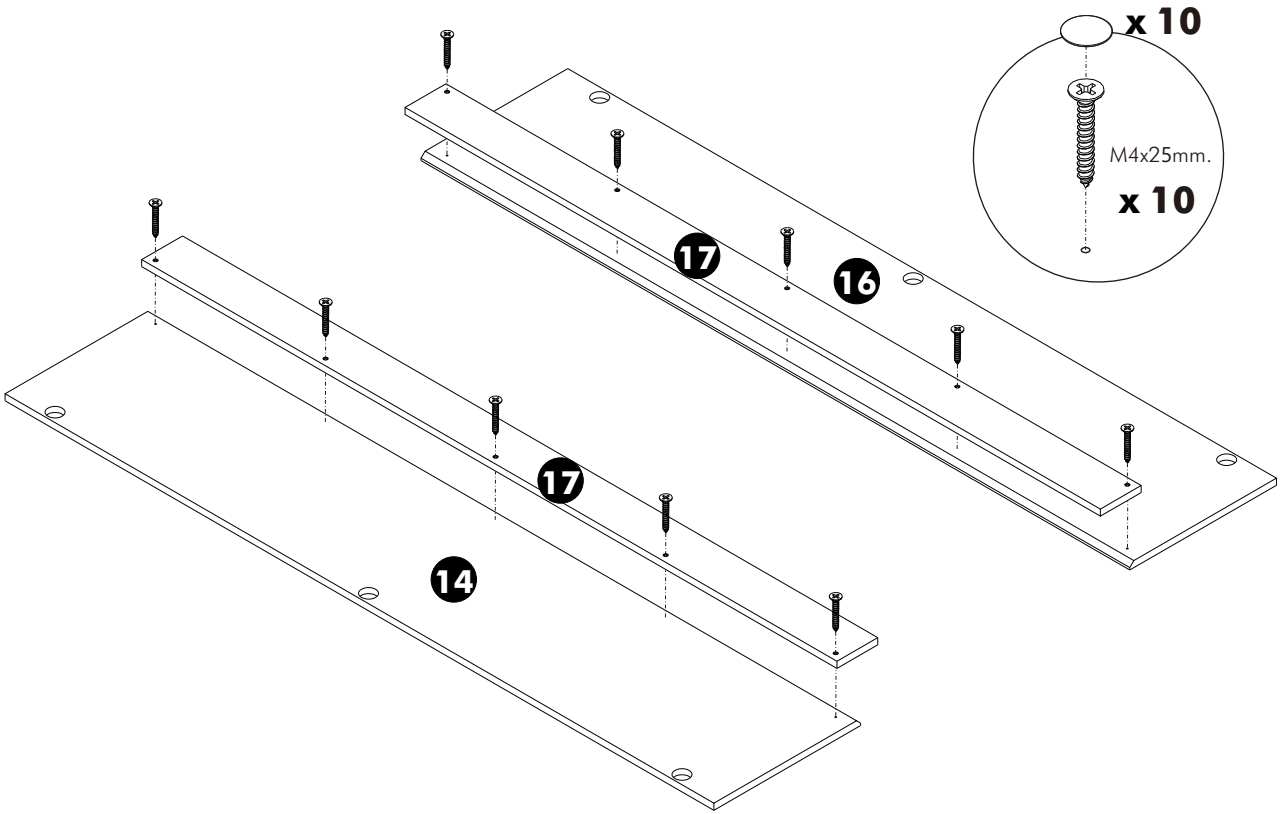
**5.**



**6.**



**7.**



**8.**

