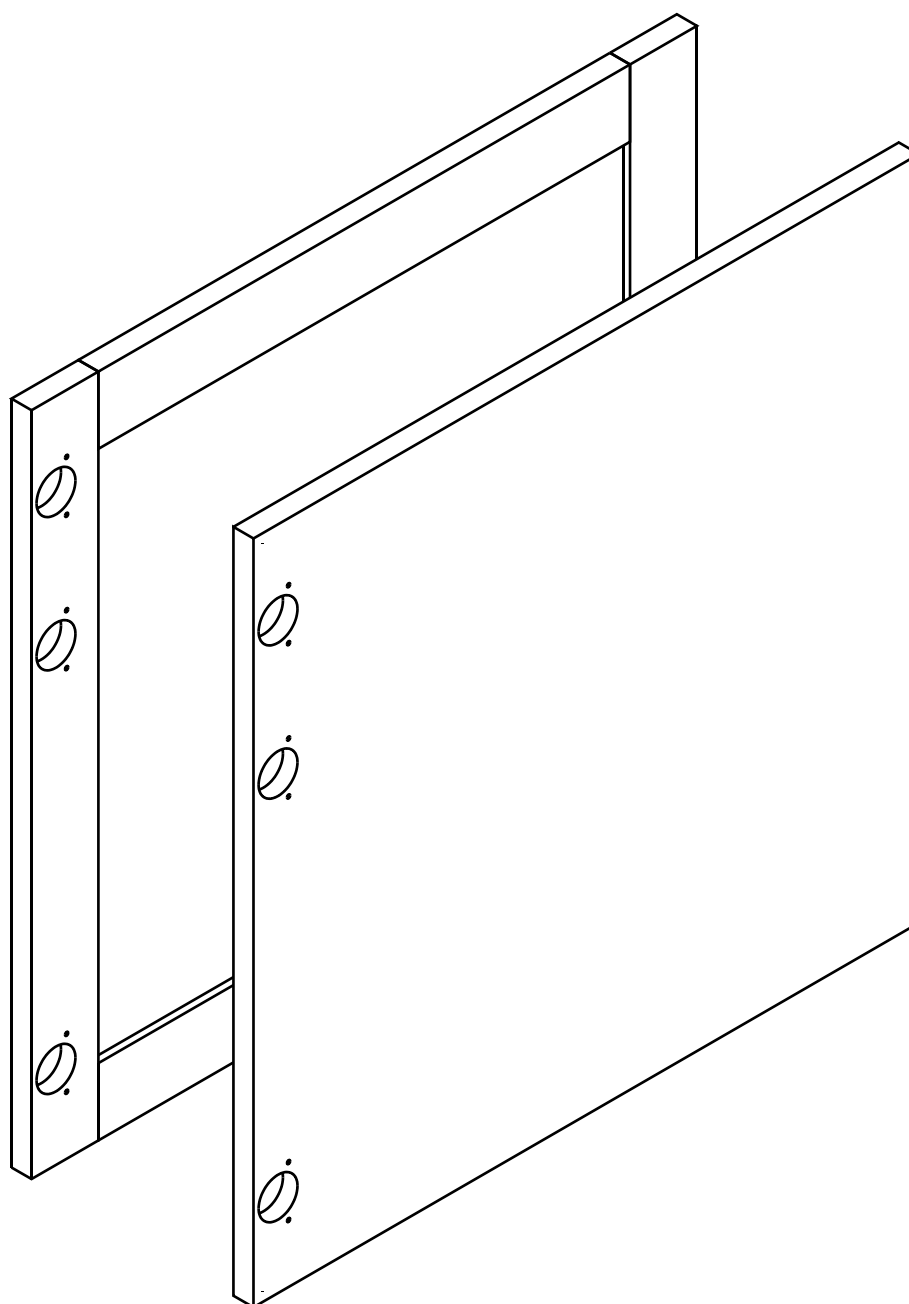


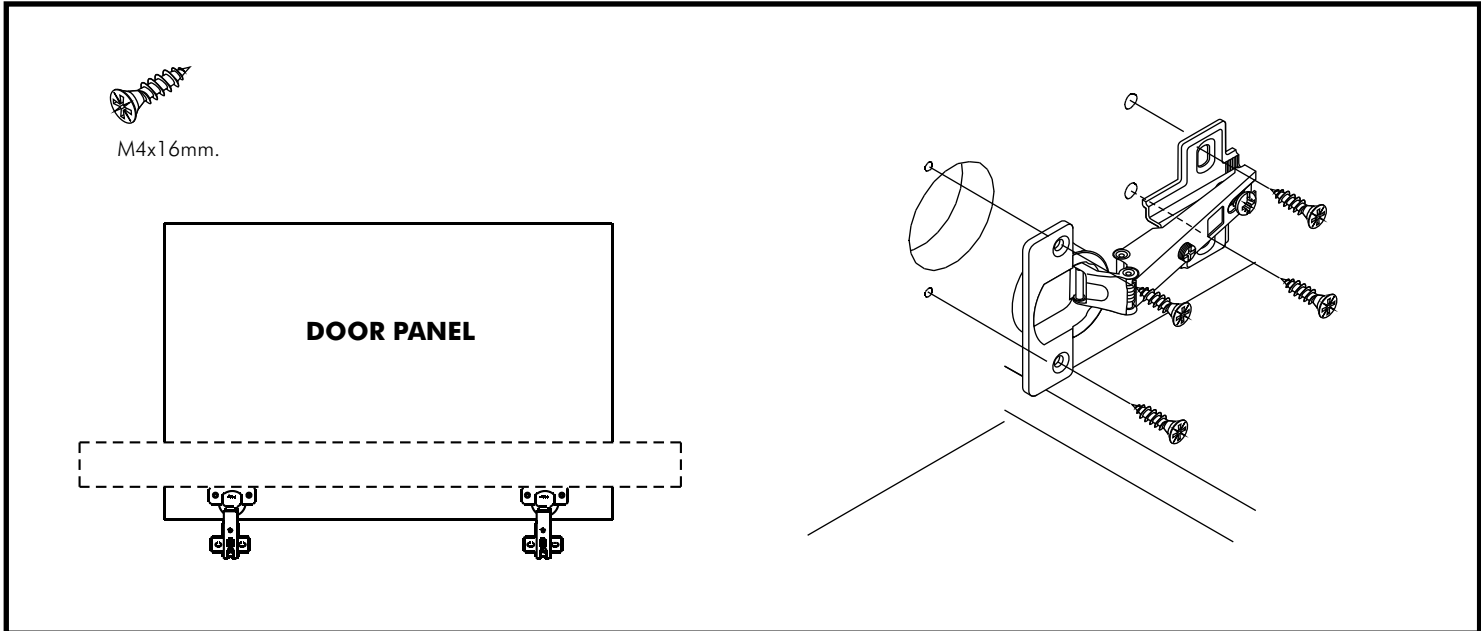
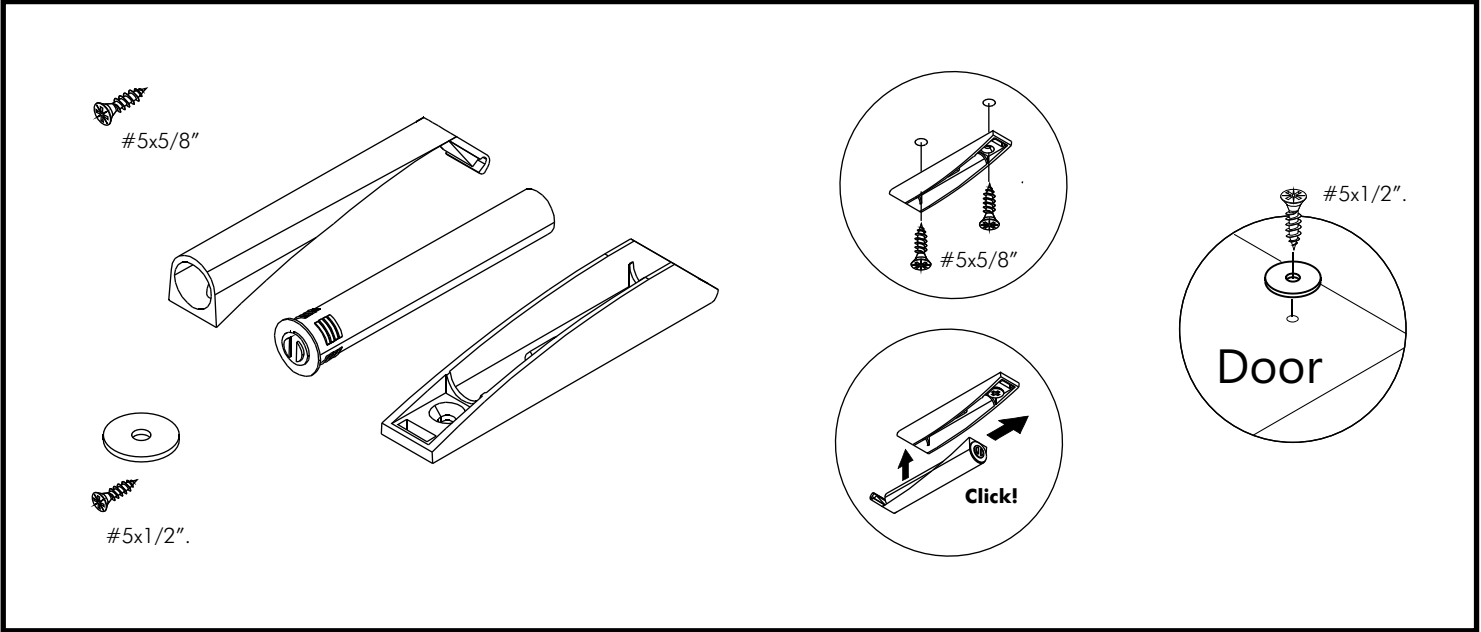
# EXTREME

**Glass door 60x60 CM**

**Wooden door 60x60 CM**

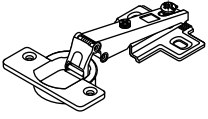


# CONNECT SYSTEM

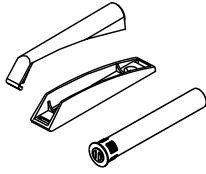


# HARDWARE

-DOOR SET



**x 3**



**x 1**



**x 1**



M4x16mm.

**x 12**



#5x1/2".

**x 1**



#5x5/8"

**x 2**

# ASSEMBLY

## -DOOR SET

