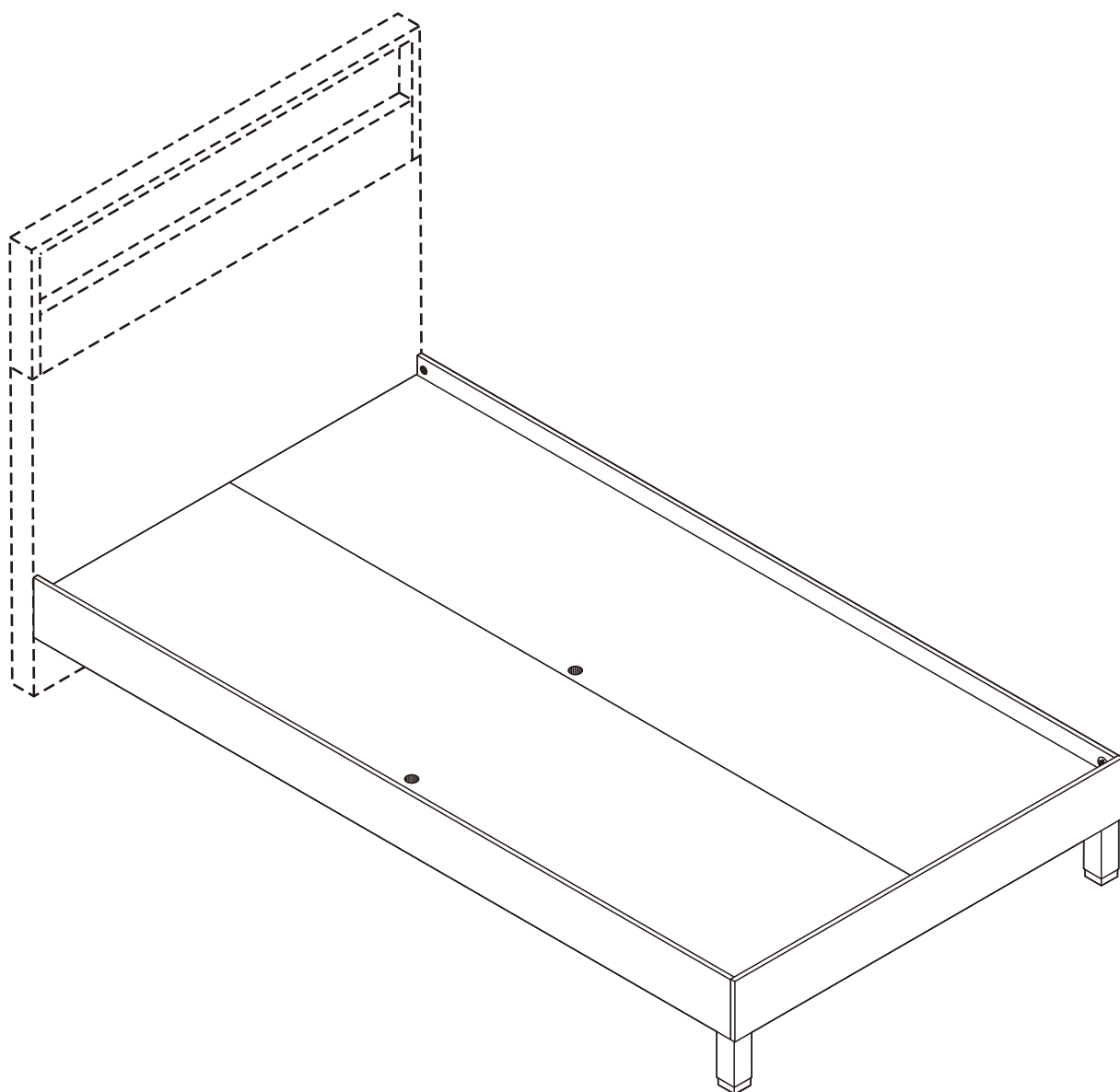


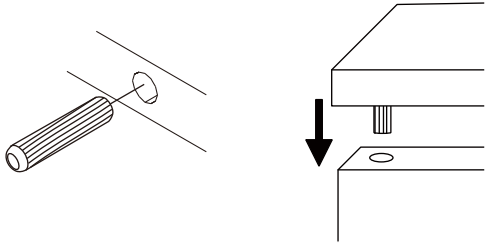
# BODY-A-P

Body bed 3.5ft.

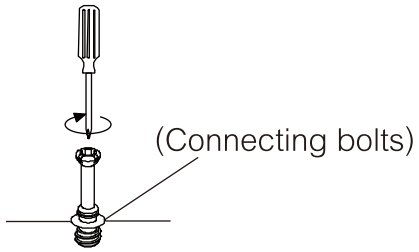


# CONNECT SYSTEM

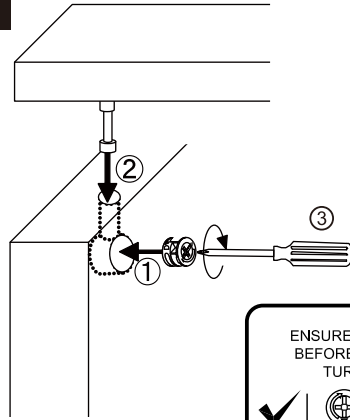
1



2



3

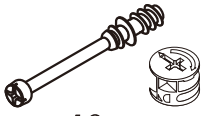


**WHEN FITTING CAMS**  
ENSURE STARTING POSITION IS CORRECT  
BEFORE YOU INSERT CONNECTING BOLT  
TURN CLOCKWISE UNTIL SECURE

✓				✗
	<b>CORRECT</b>	<b>WRONG</b>		

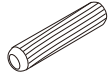
# HARDWARE

-BODY SET



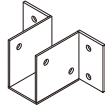
19 mm.

**X 6/6**



8x35mm.

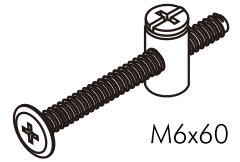
**X 10**



**X 4**

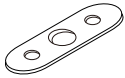


**X 4**

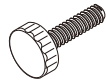


M6x60

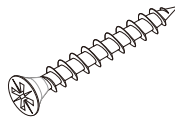
**X 4/4**



**X 4**

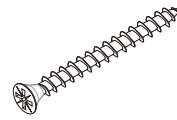


**X 4**



M4x30

**X 30**



M4x40

**X 4**



M3.5x16

**X 16**



M3.5x13

**X 8**



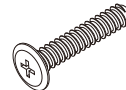
10x5/8(P)

**X 8**



M3.5x20

**X 4**



M6x30

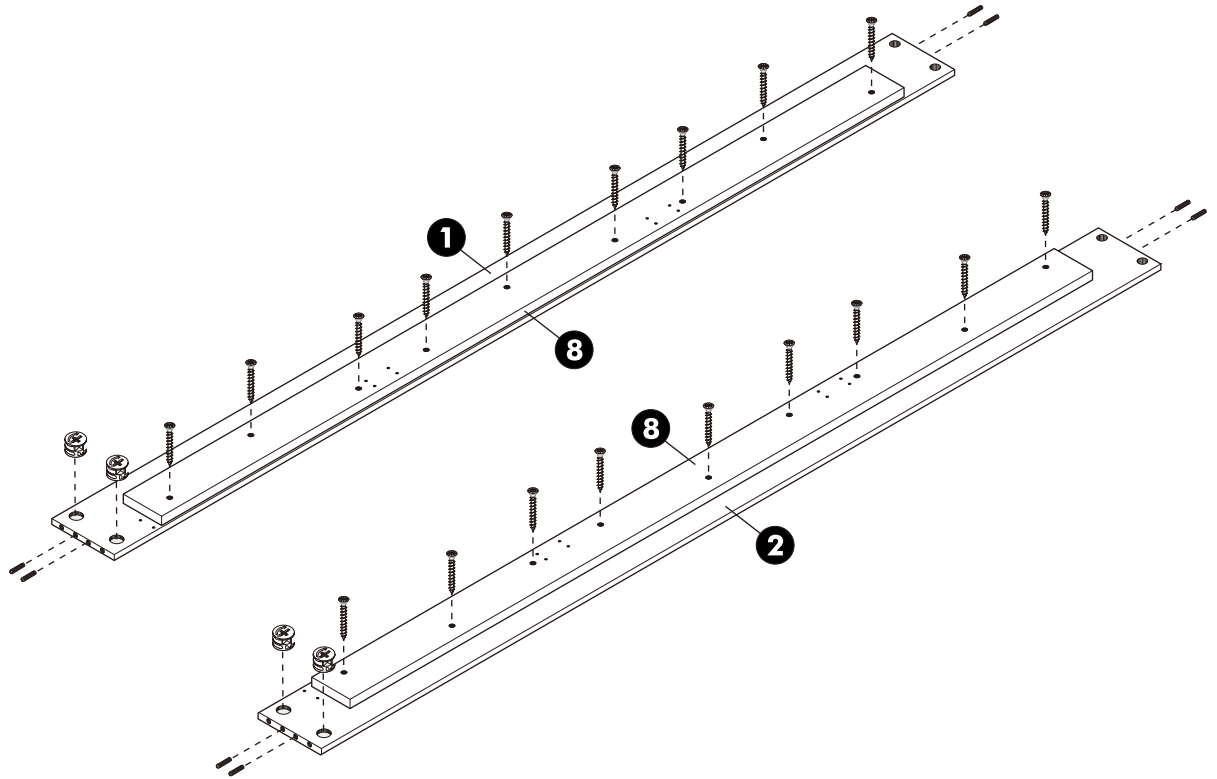
**X 2**






M4x16

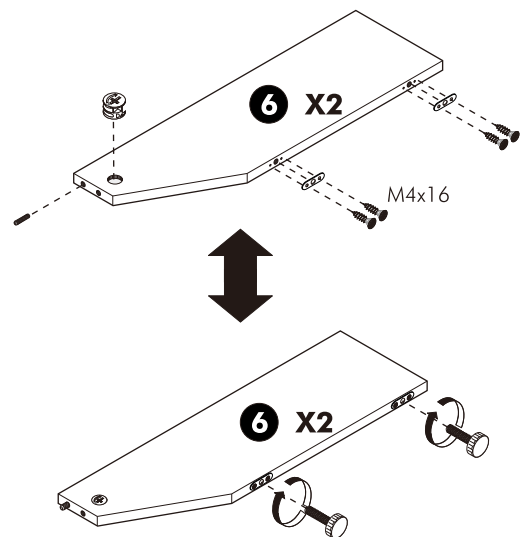
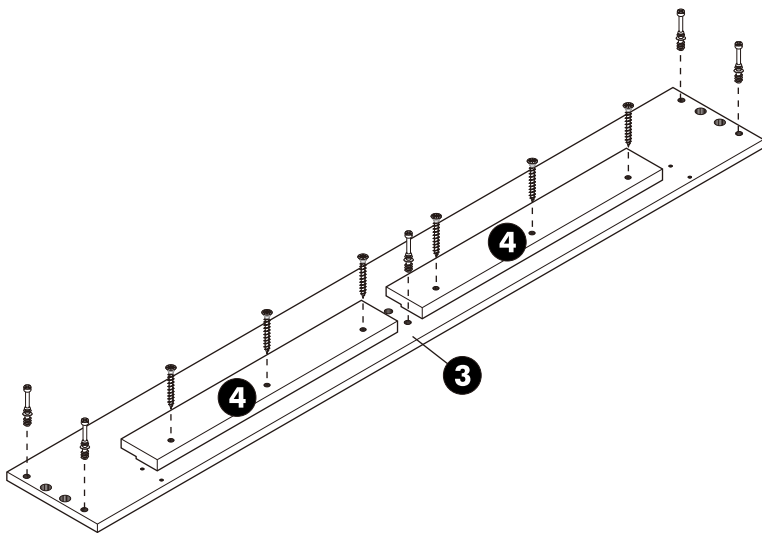
**X16**


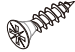


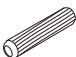


# 1.



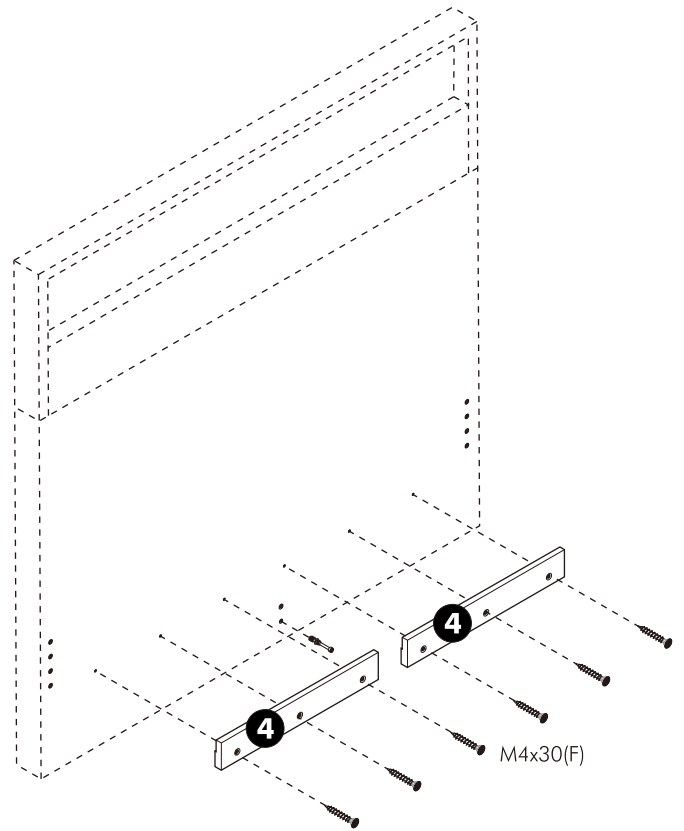
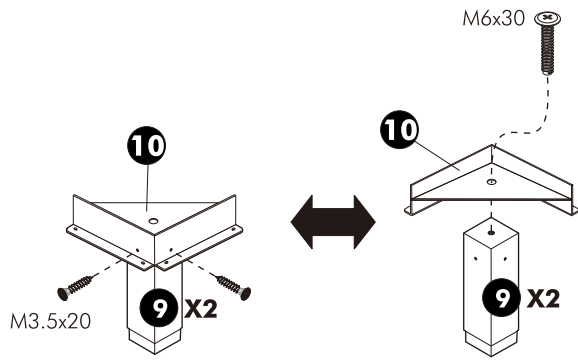
	<b>X 4</b>		<b>X 8</b>	M4x30(F) 	<b>X 18</b>
---	------------	---	------------	--	-------------




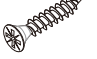
# 2.



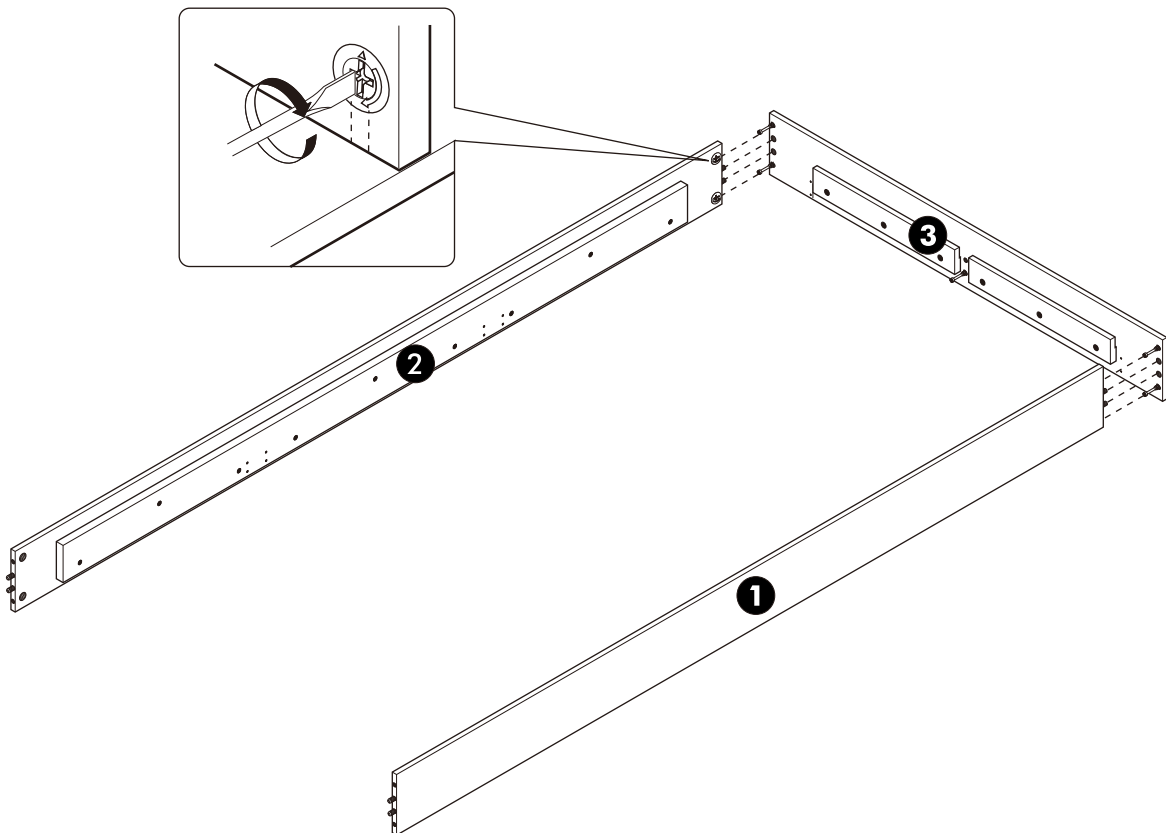
	<b>X 5</b>	M4x16 	<b>X 8</b>
	<b>X 2</b>		<b>X 4</b>
	<b>X 2</b>		<b>X 4</b>
		M4x30(F) 	<b>X 6</b>

# 3.

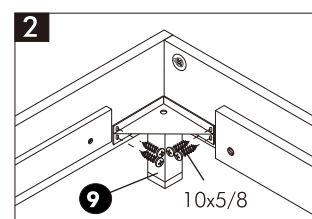
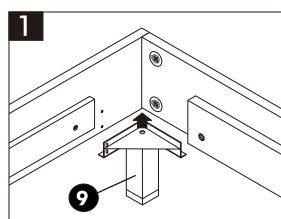
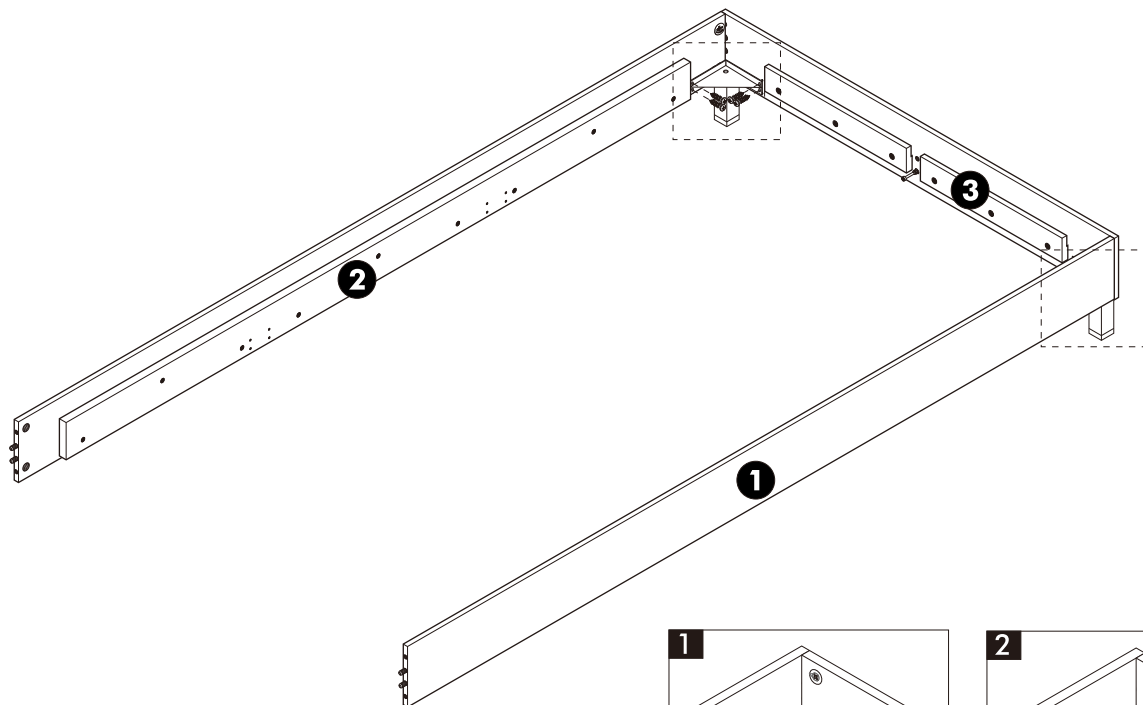



	<b>X 1</b>
M4x30 	<b>X 6</b>
M6x30 	<b>X 2</b>
M3.5x20 	<b>X 4</b>

# 4.

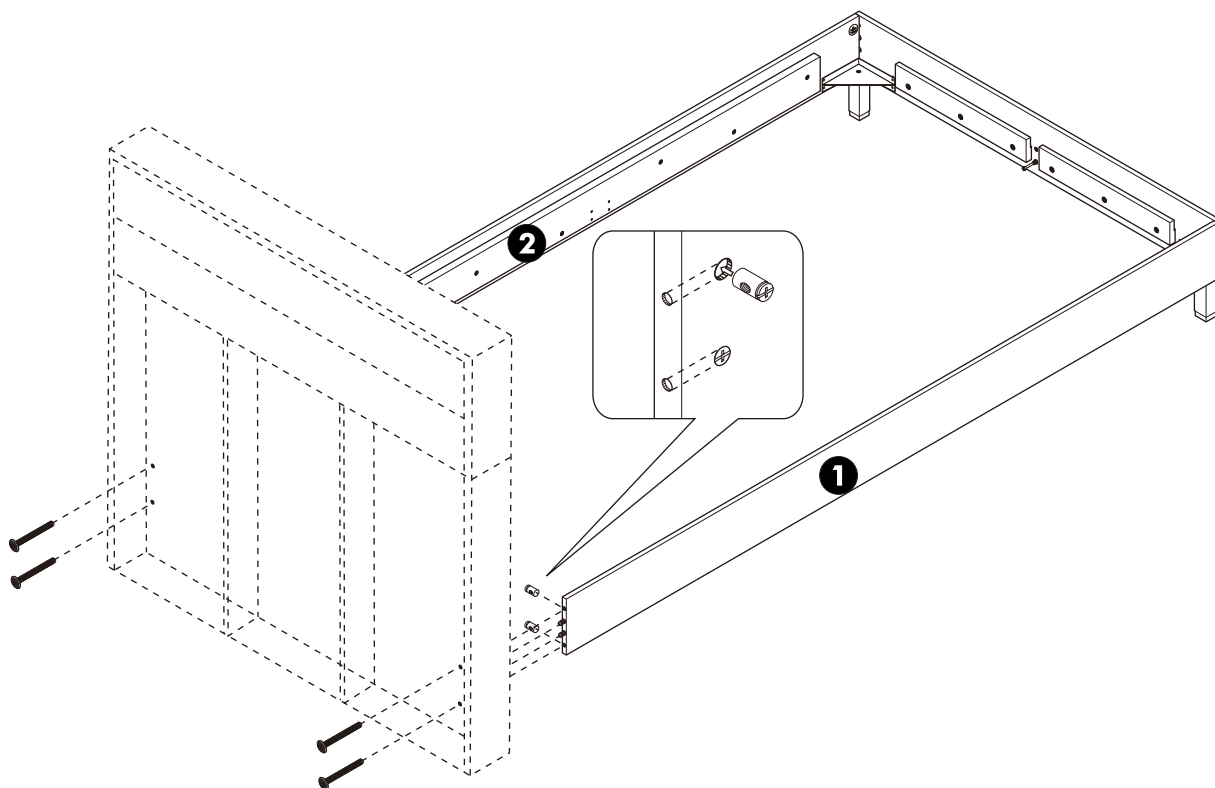


5.



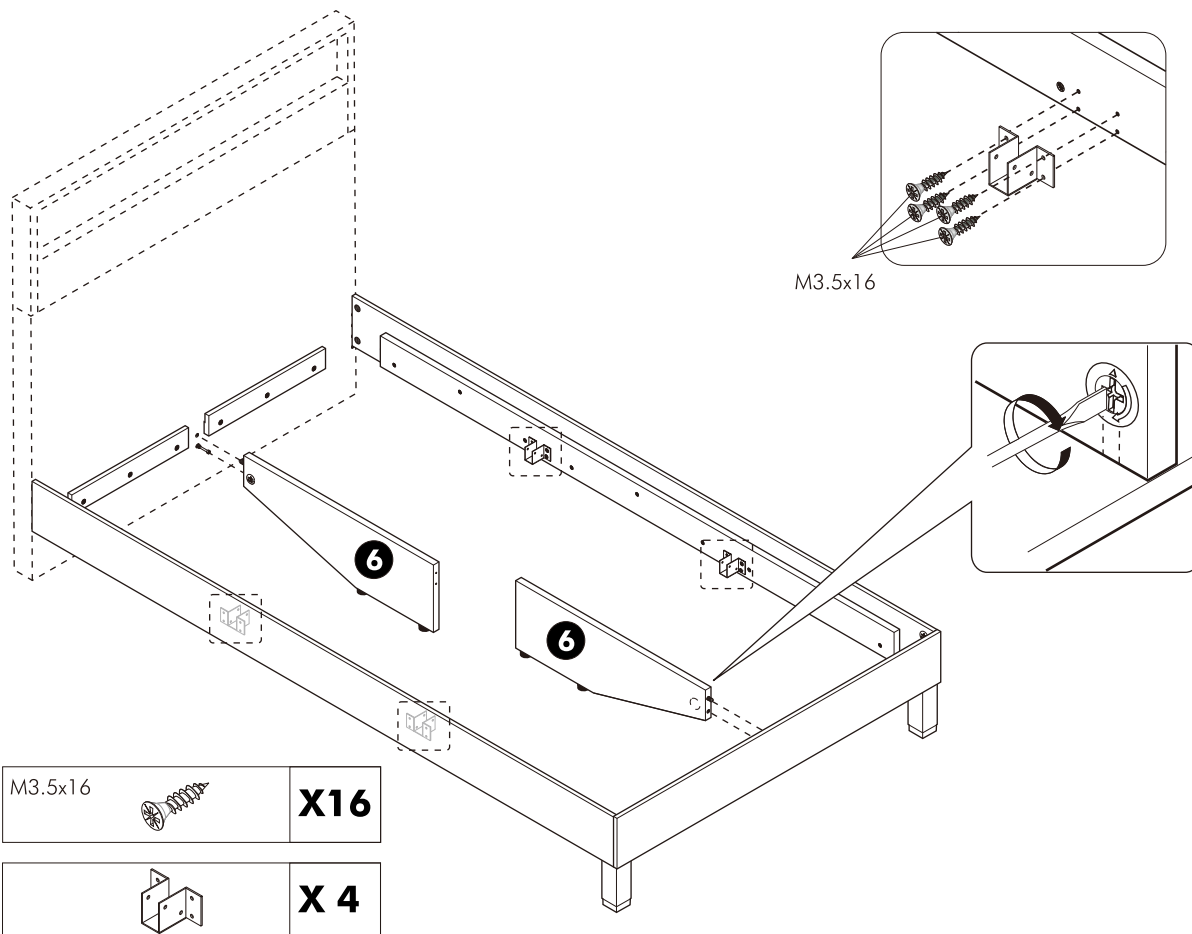
10x5/8		<b>X 8</b>
--------	--	------------

6.

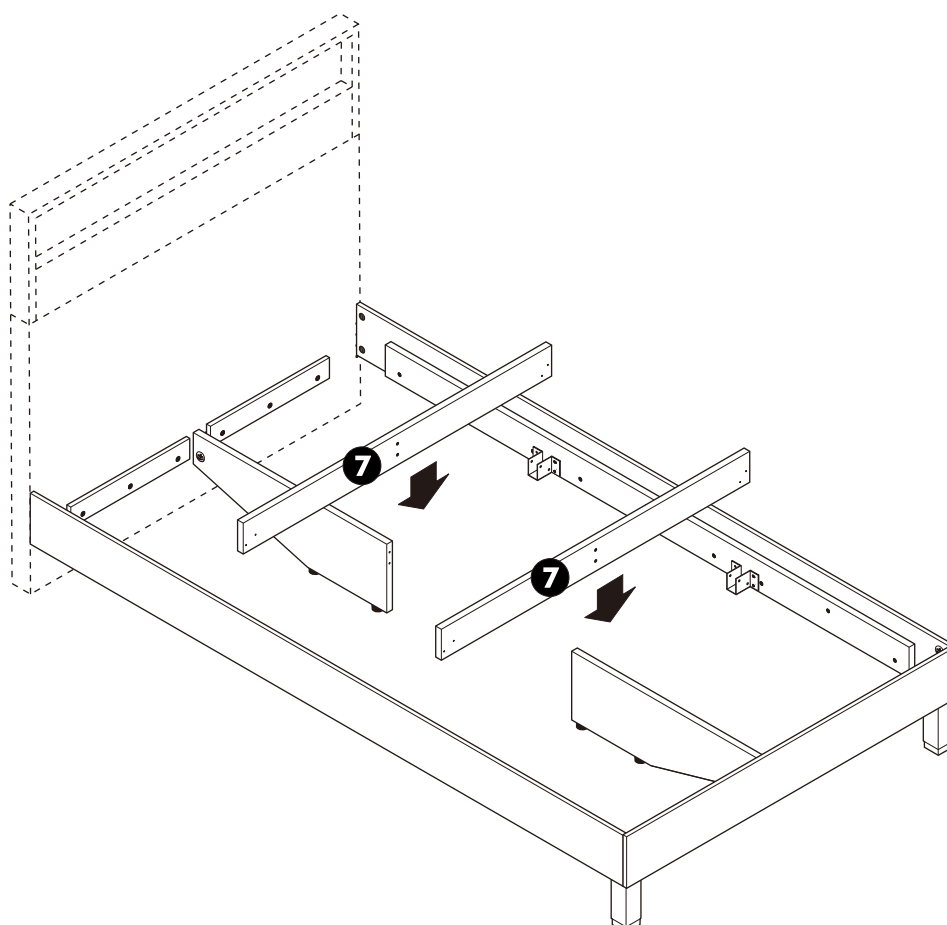


M6x60		<b>X 4</b>
-------	---	------------

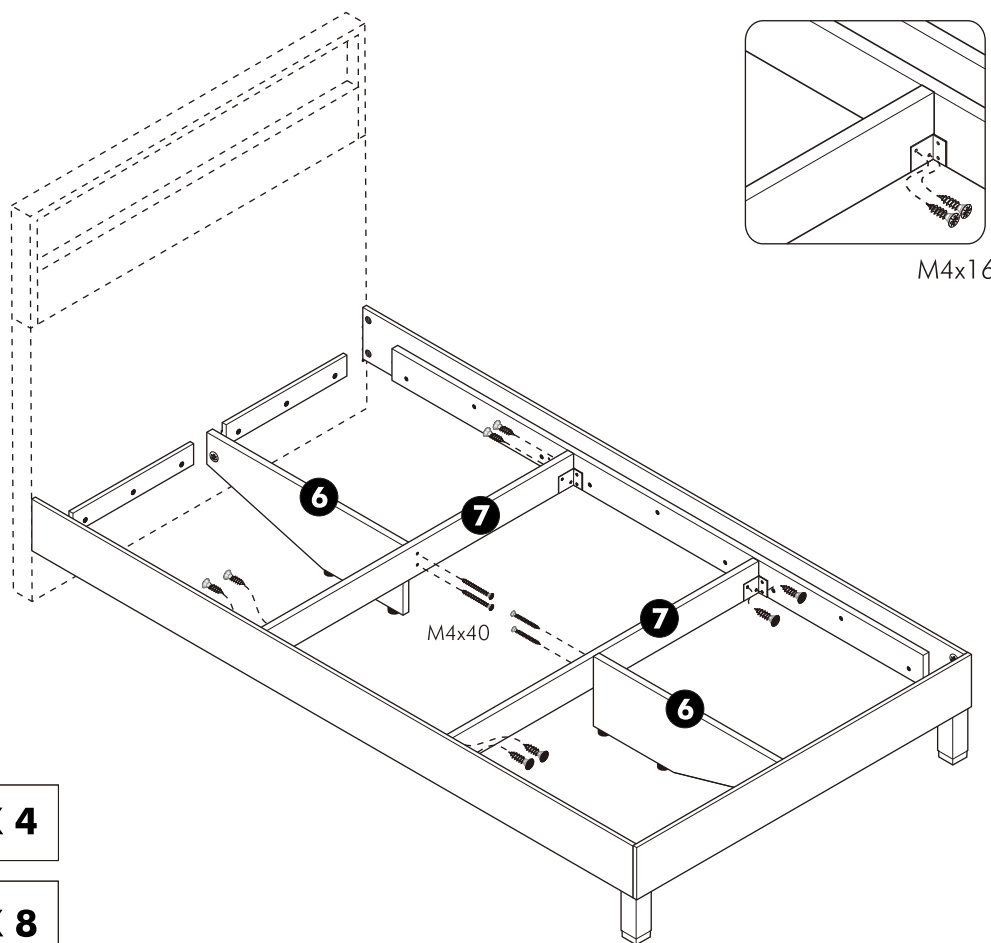
**7.**




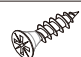
**8.**



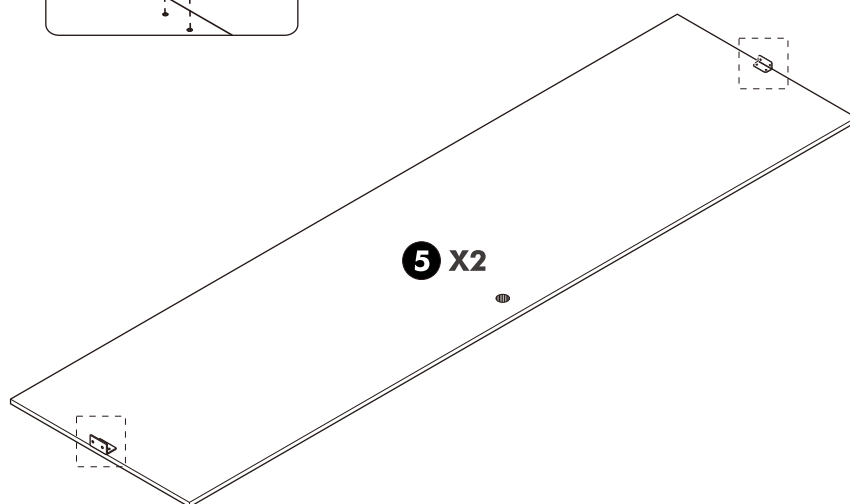
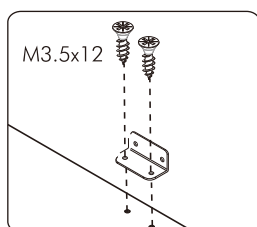
# 9.

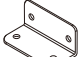



M4x40		<b>X 4</b>
-------	---	------------

M4x16		<b>X 8</b>
-------	--	------------

# 10.



	<b>X 4</b>
---	------------

M3.5x13		<b>X 8</b>
---------	---	------------



11.

