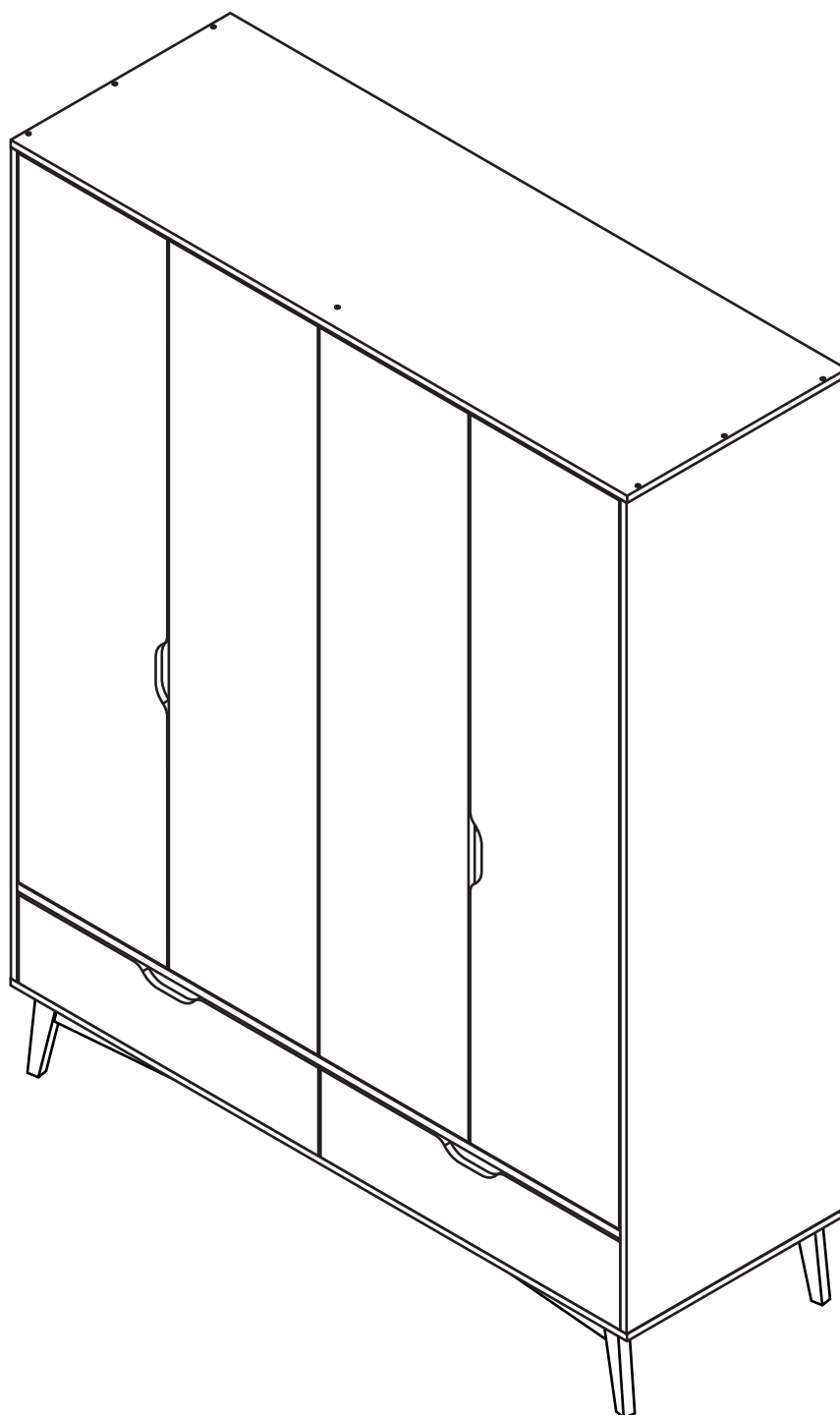


KARLMAR-P

Wardrobe 4 drs



CONNECT SYSTEM

1

3

2

(Connecting bolts)

WHEN FITTING CAMS
 ENSURE STARTING POSITION IS CORRECT
 BEFORE YOU INSERT CONNECTING BOLT
 TURN CLOCKWISE UNTIL SECURE

✓				✗
	↑			
	CORRECT		WRONG	

M3.5x13mm.

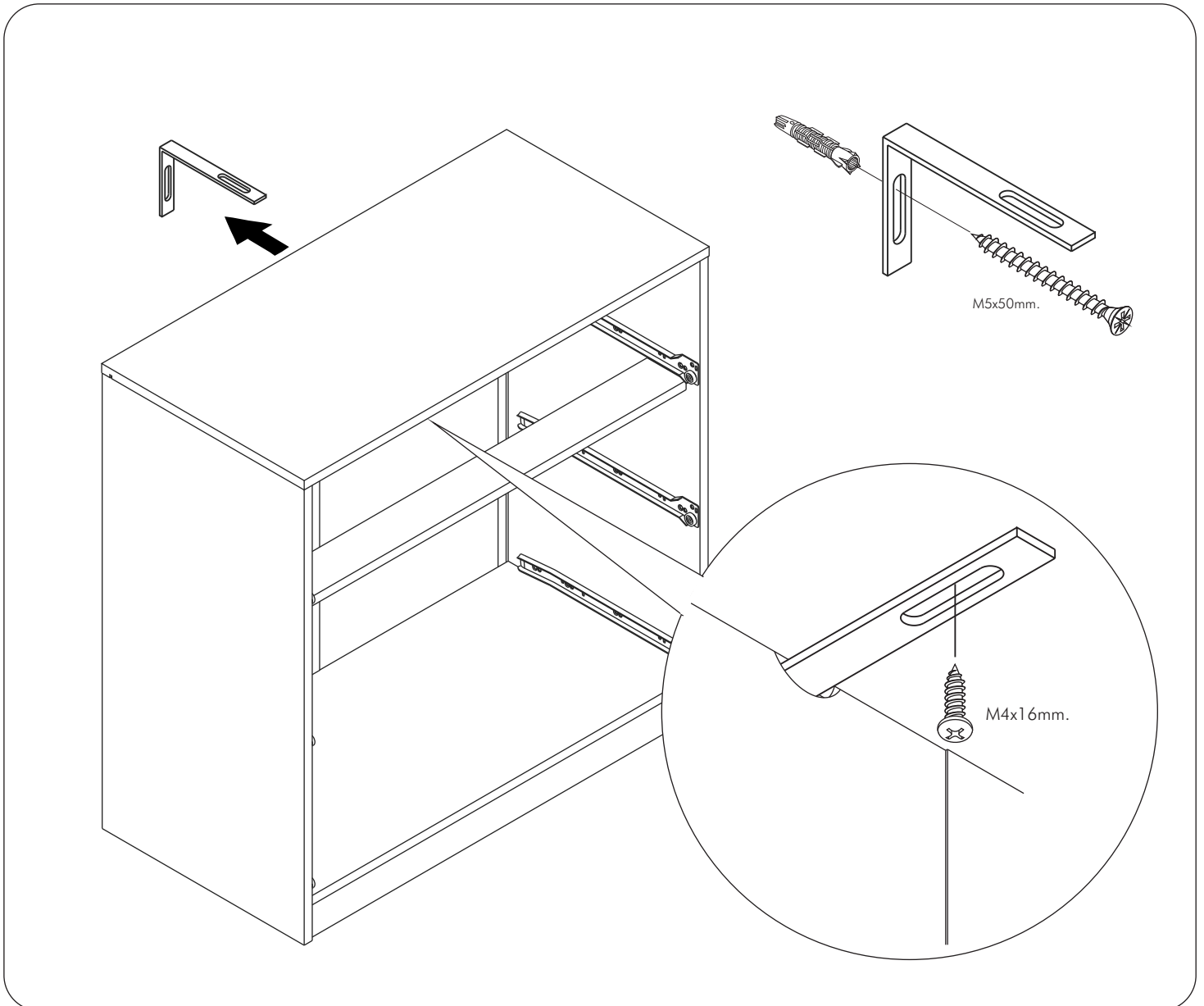
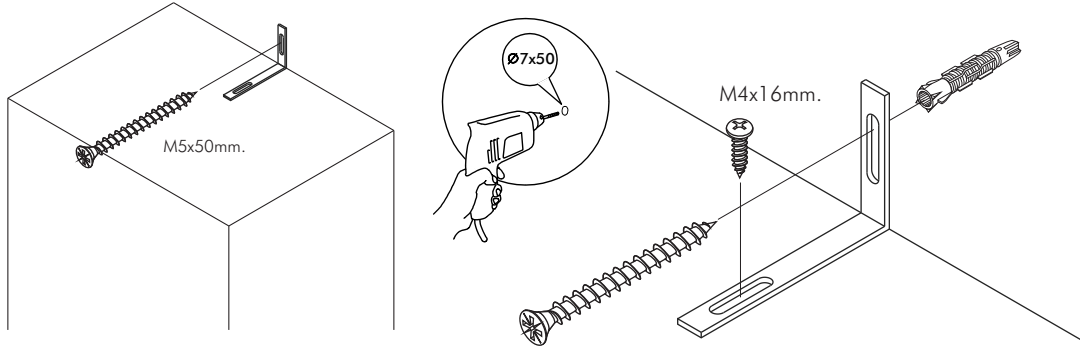
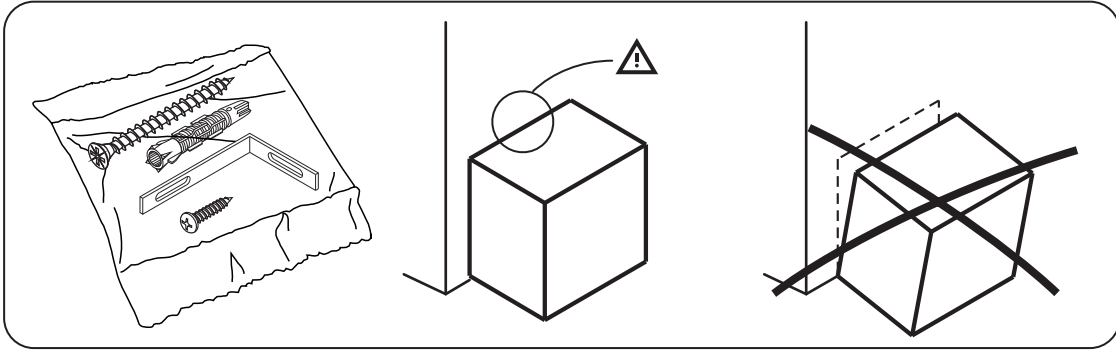
1

2

M4x16mm.

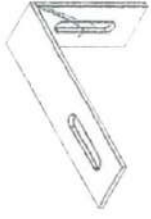
DOOR PANEL

x2

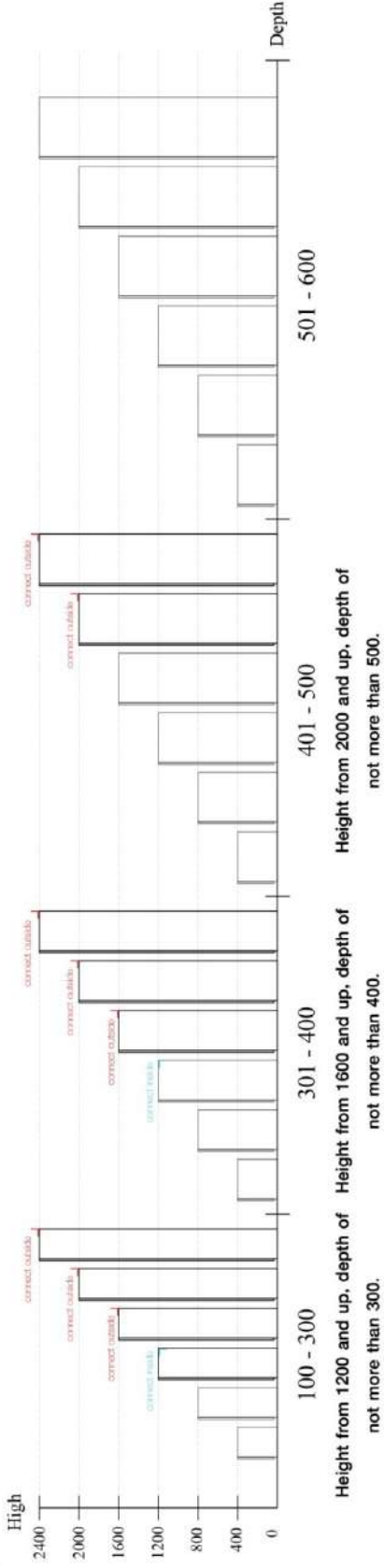


The Standard for identifying which mounted safety fall protection fitting to use **Note : That children's products must be installed with all anti-falling fittings.**

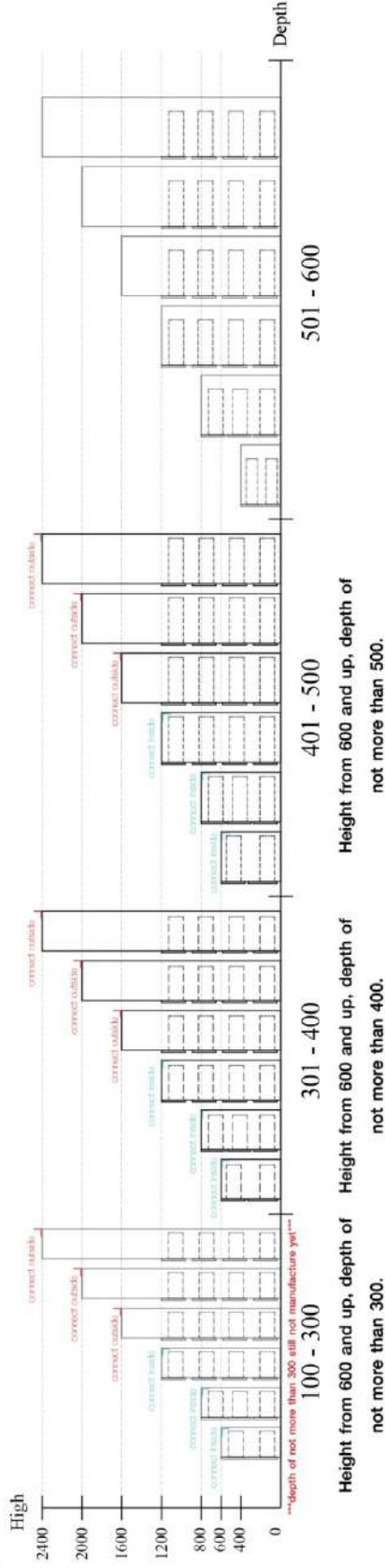
■ Mounted fall protection fittings



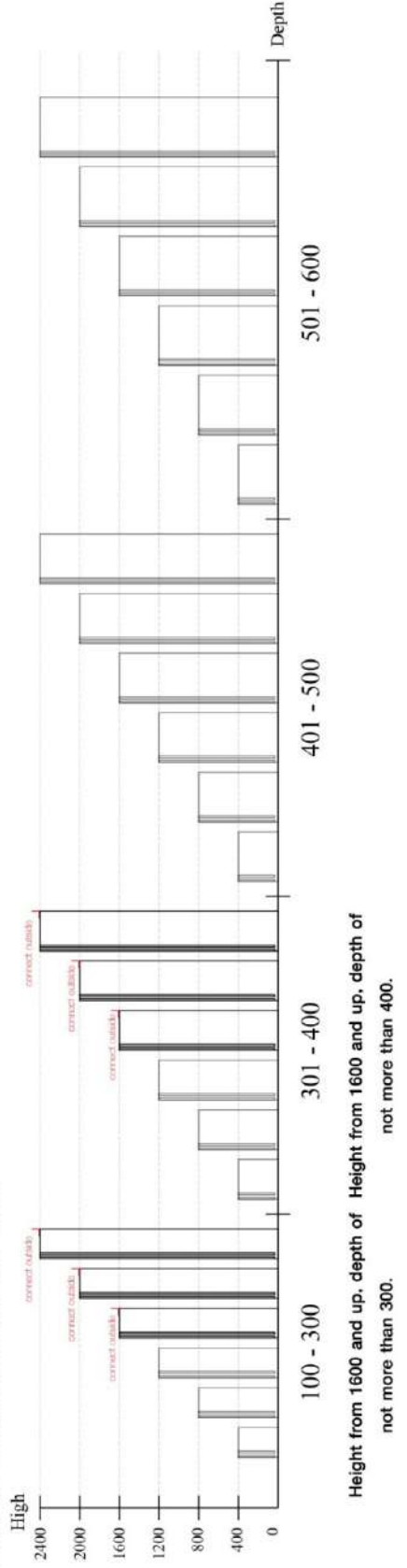
■ Category : Cabinet with open doors



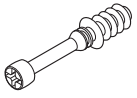
■ Category : Chest of drawers



■ Category : Sliding door cabinet / Open cabinet



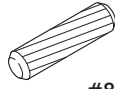
HARDWARE



x 19

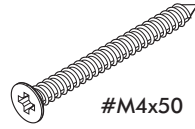


x 19



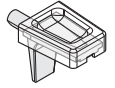
#8x35

x 30



#M4x50

x 19

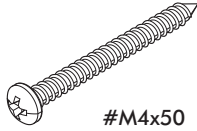


x 8



#M4x30

x 38



#M4x50

x 6



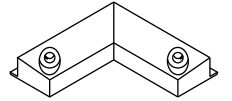
#M4x16

x 52

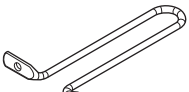


#M4x16

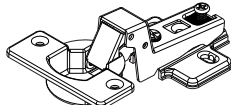
x 62



x 4

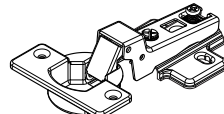


x 1



(a) Insert

x 6



(b) Half overlay

x 6

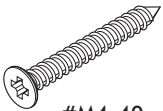


x 2



#M3.5x13

x 32



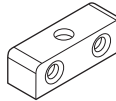
#M4x40

x 25

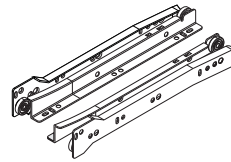


#M4x25

x 6



x 2



x 2 set



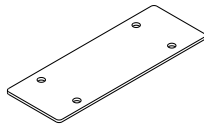
#M3.5x20

x 8



#TFL4 M6x23

x 10



x 2



x 8

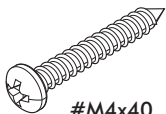


#M3.5x16

x 8



x 2

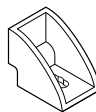


#M4x40

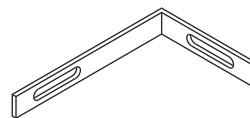
x 6



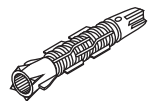
x 2



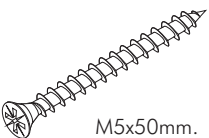
x 8



x 2



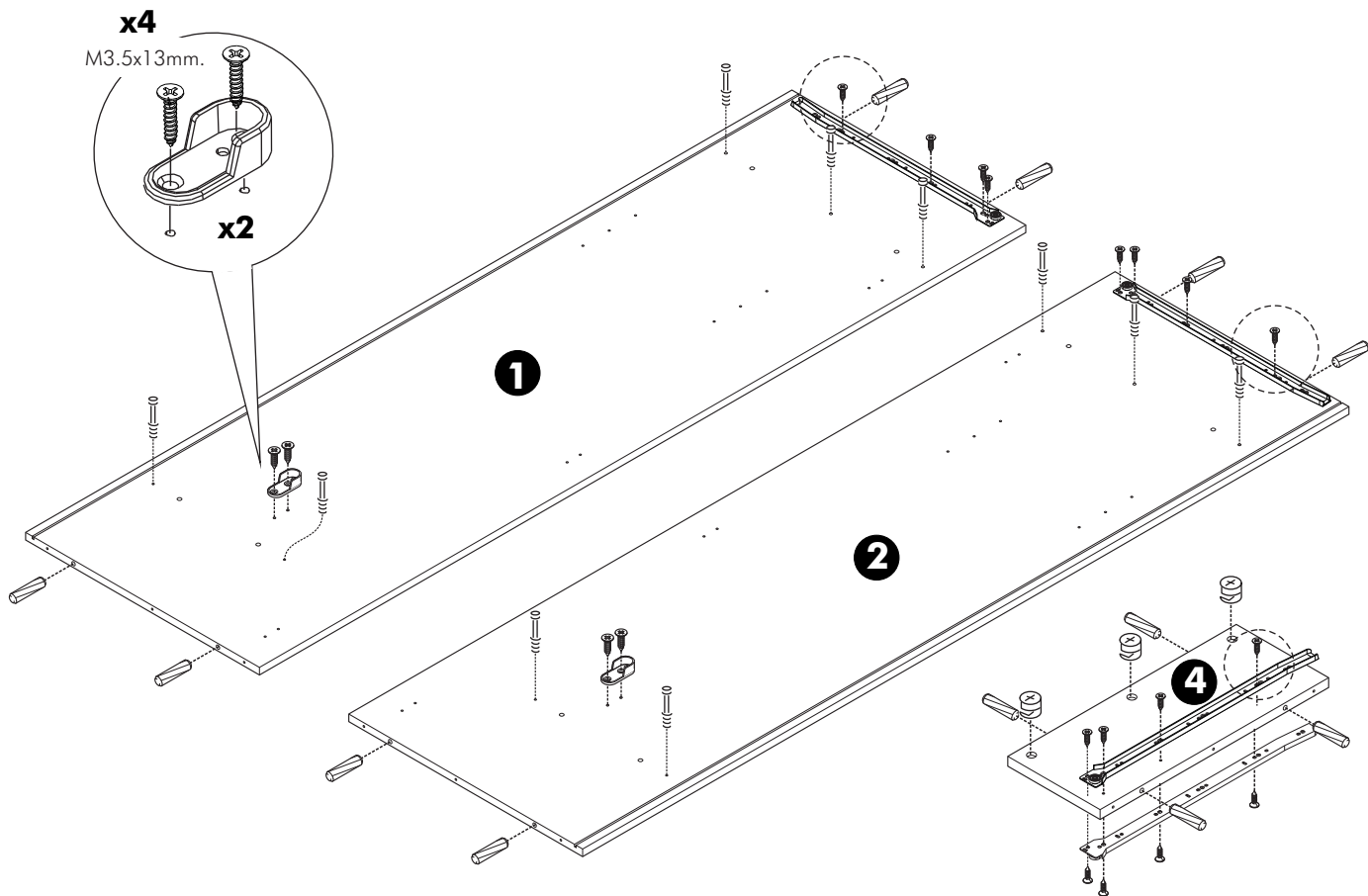
x 2



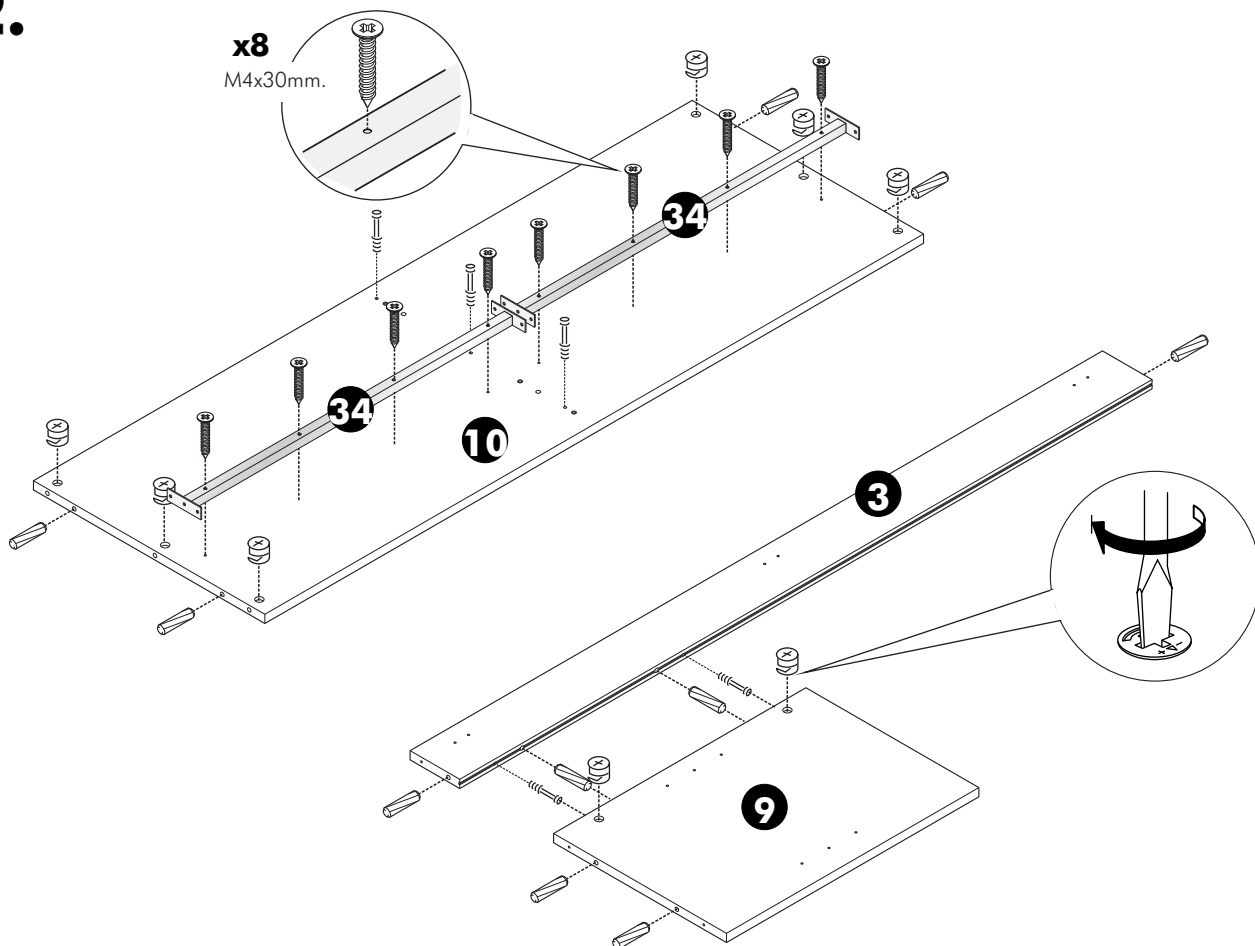
M5x50mm.

x 2

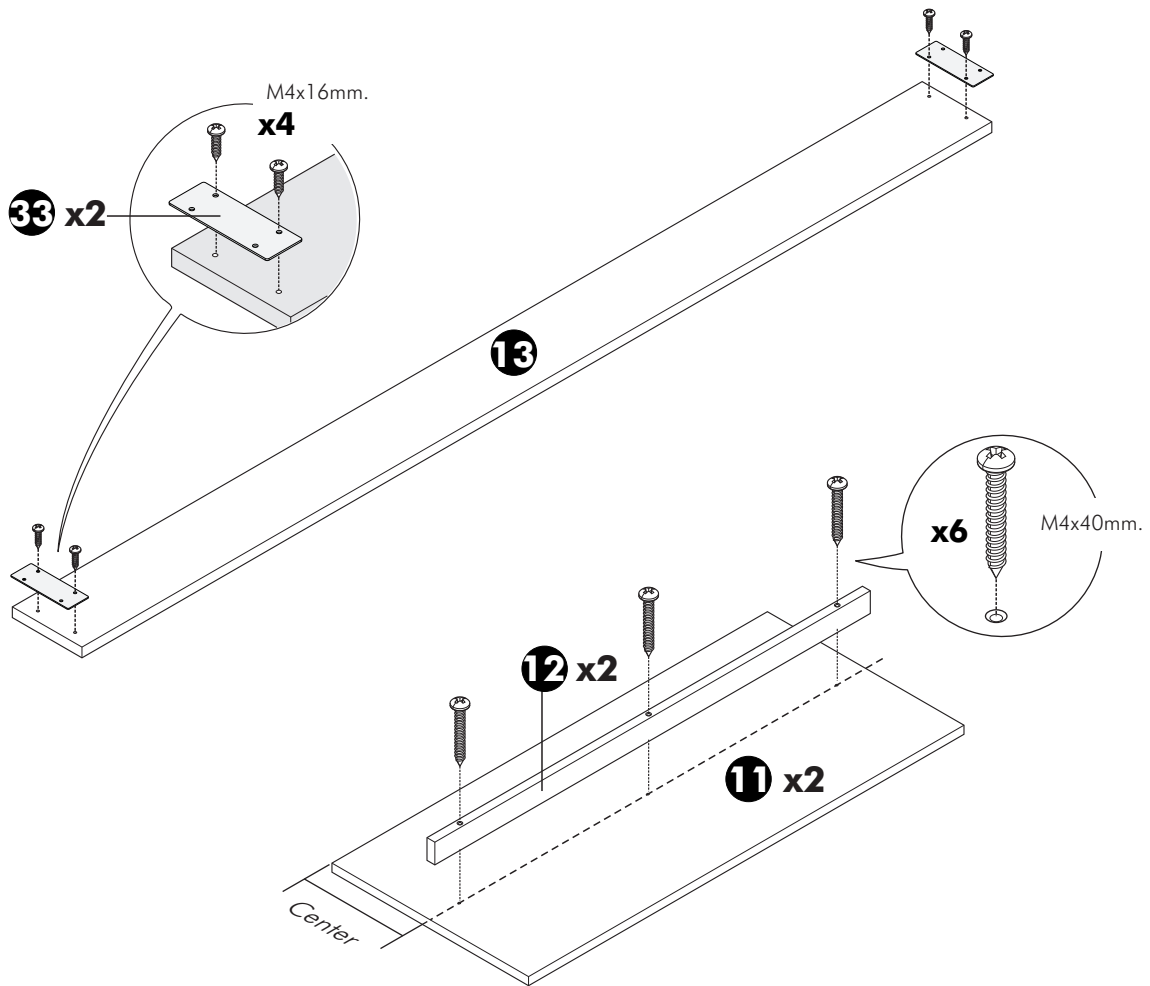
1.



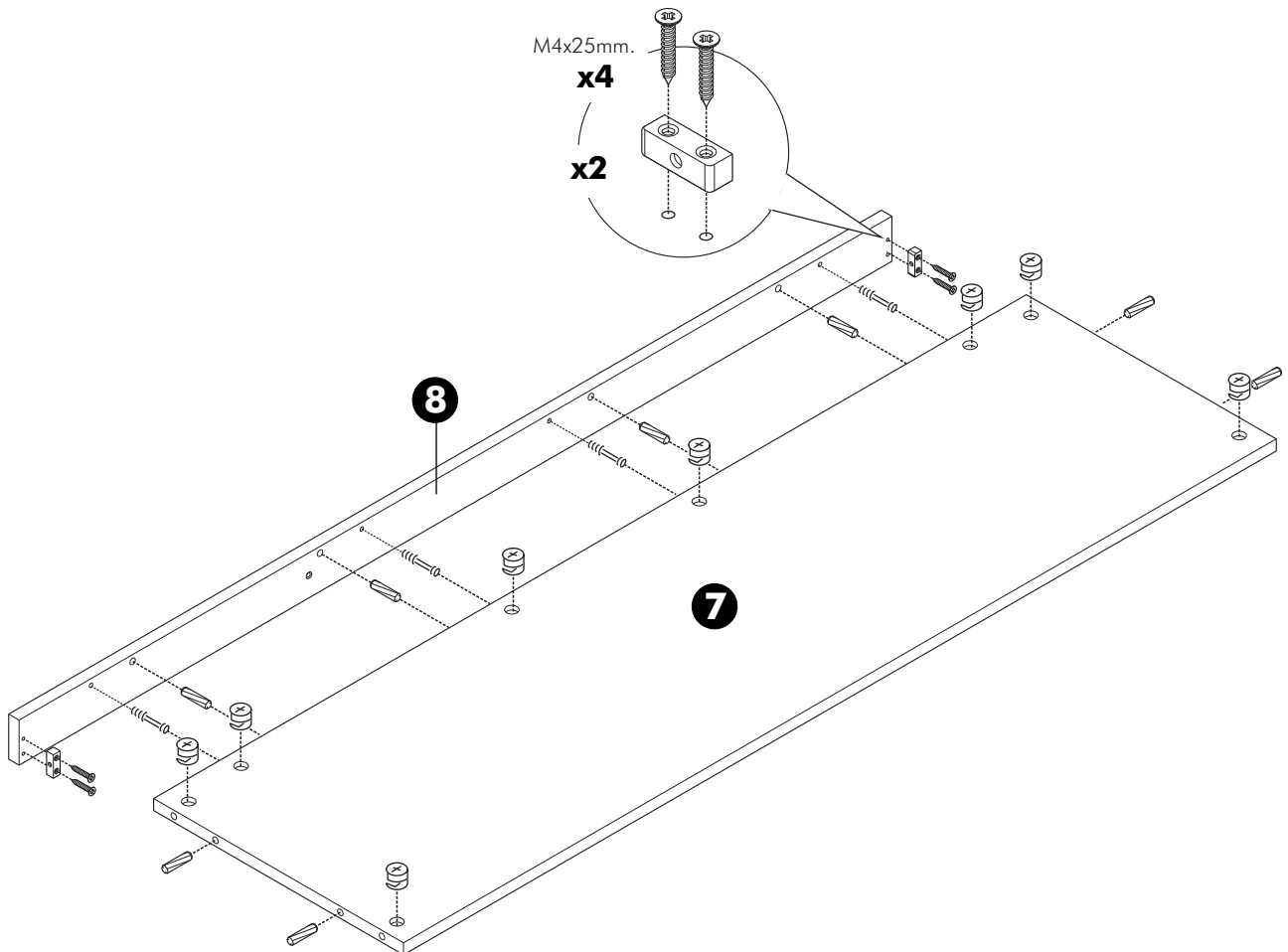
2.



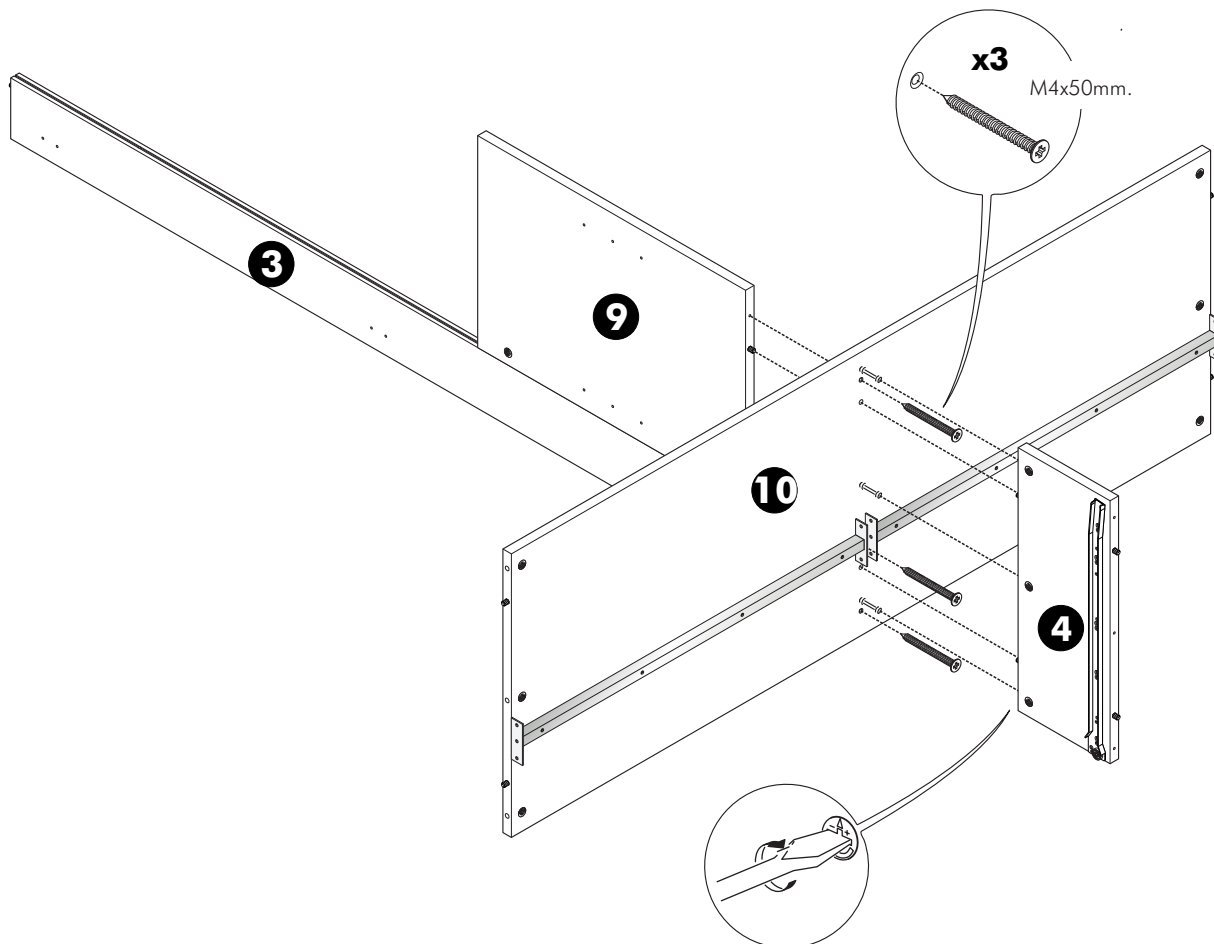
3.



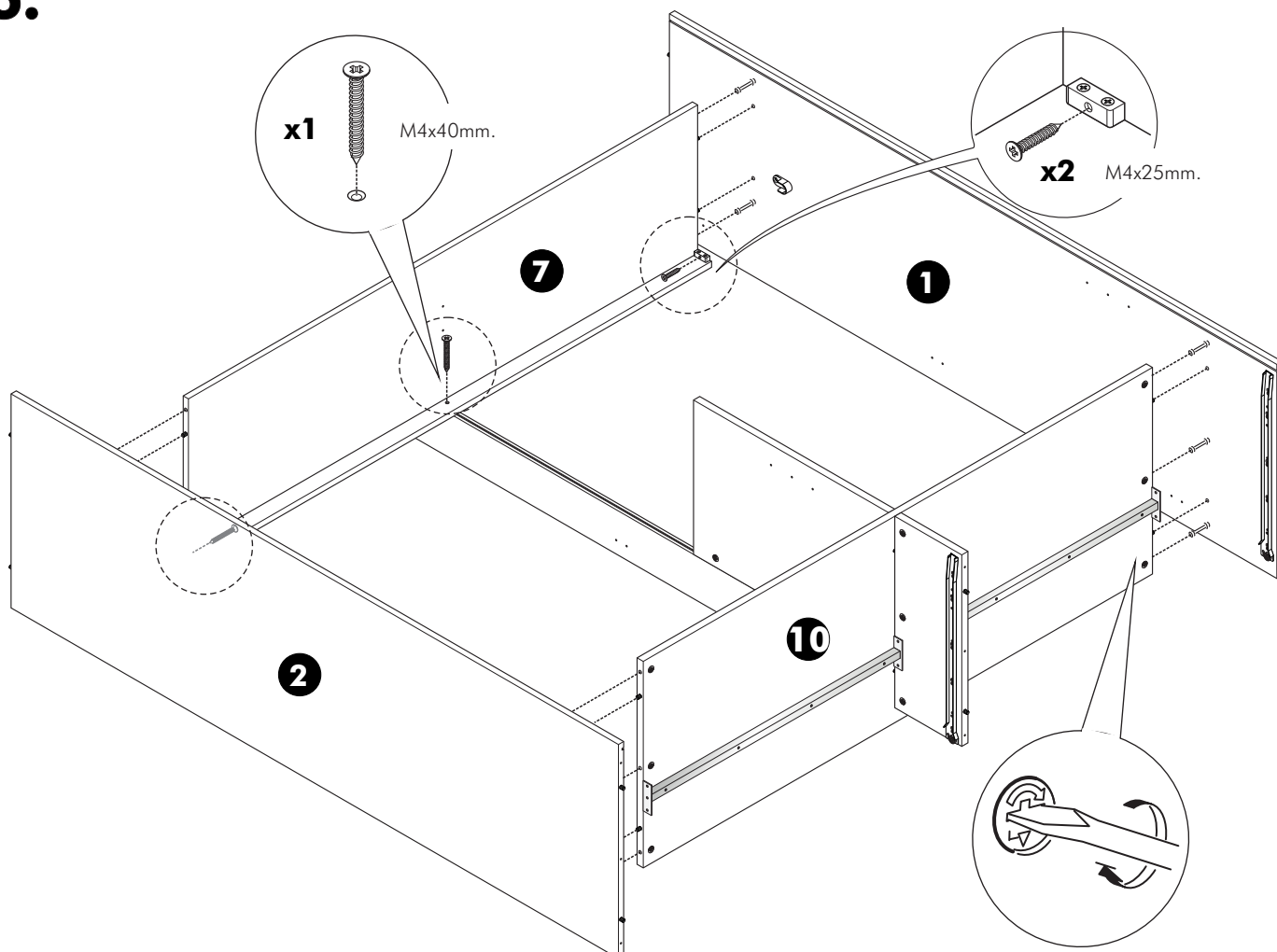
4.



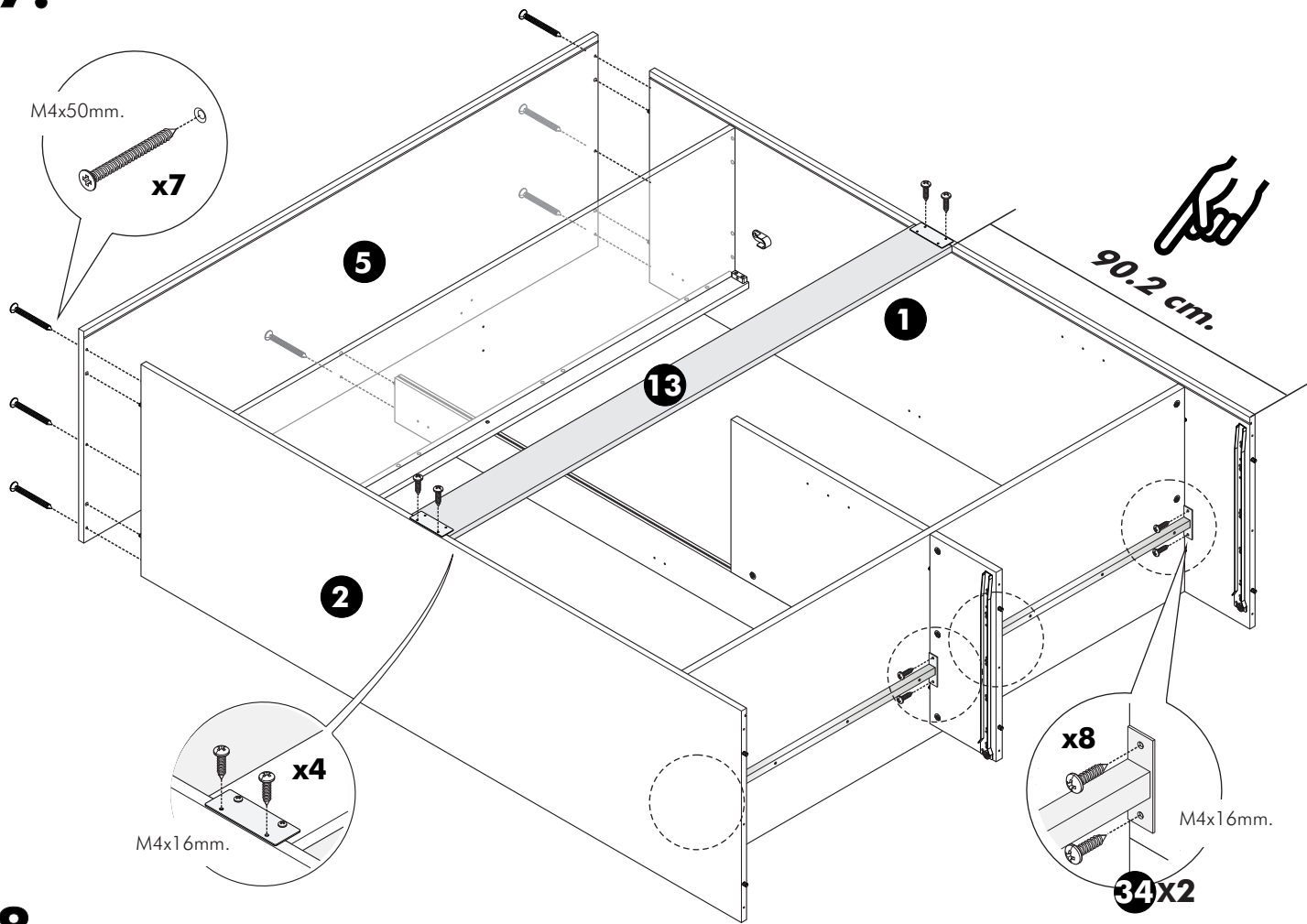
5.



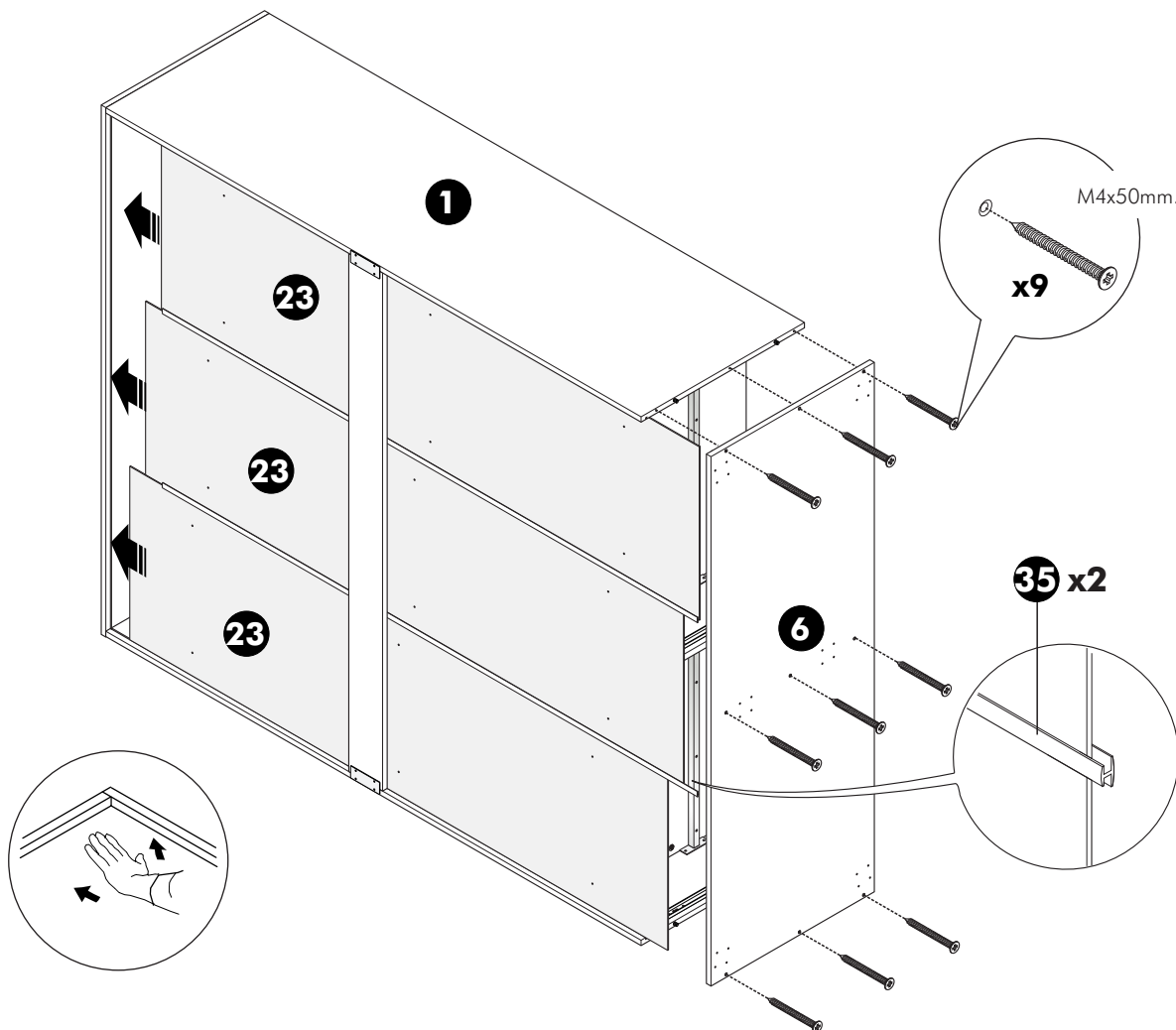
6.



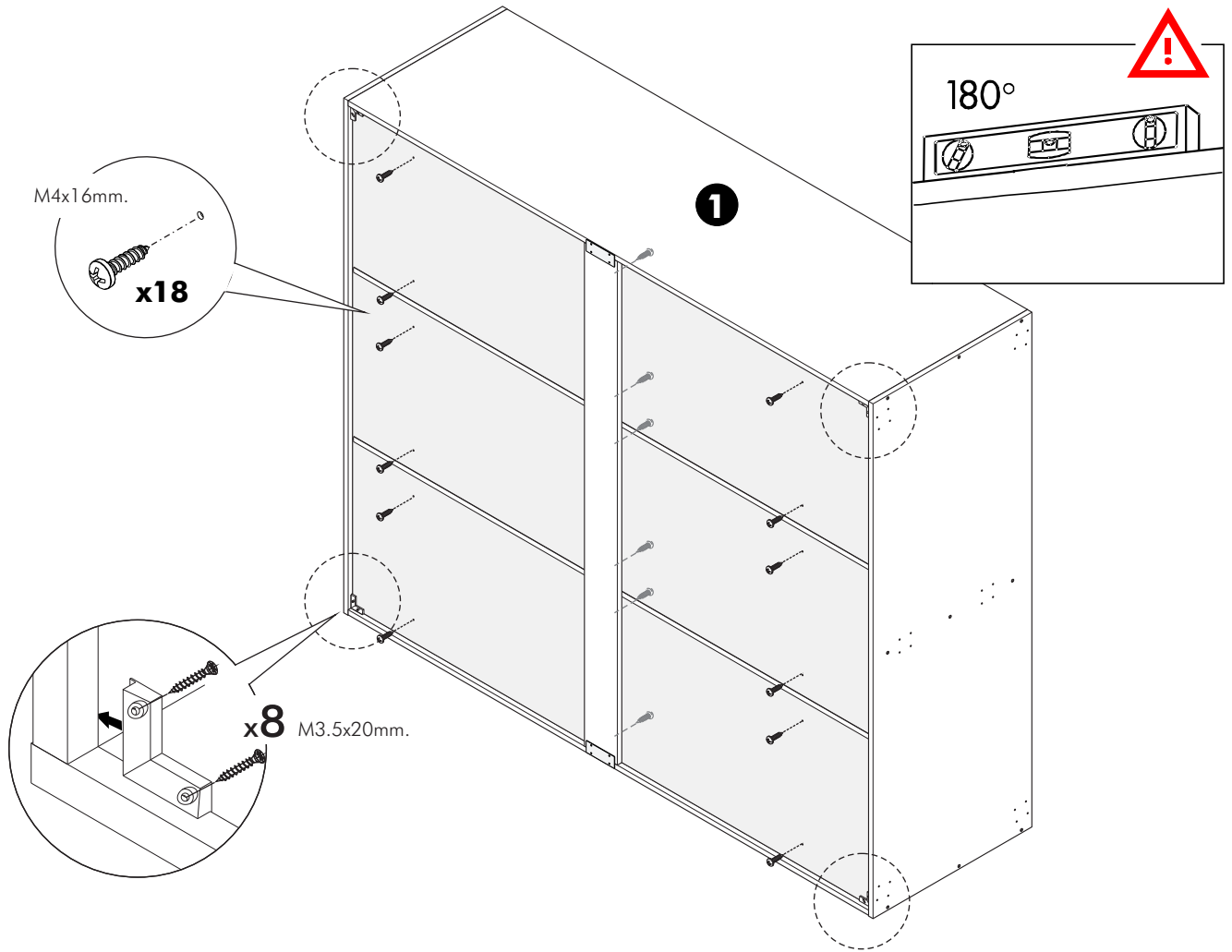
7.



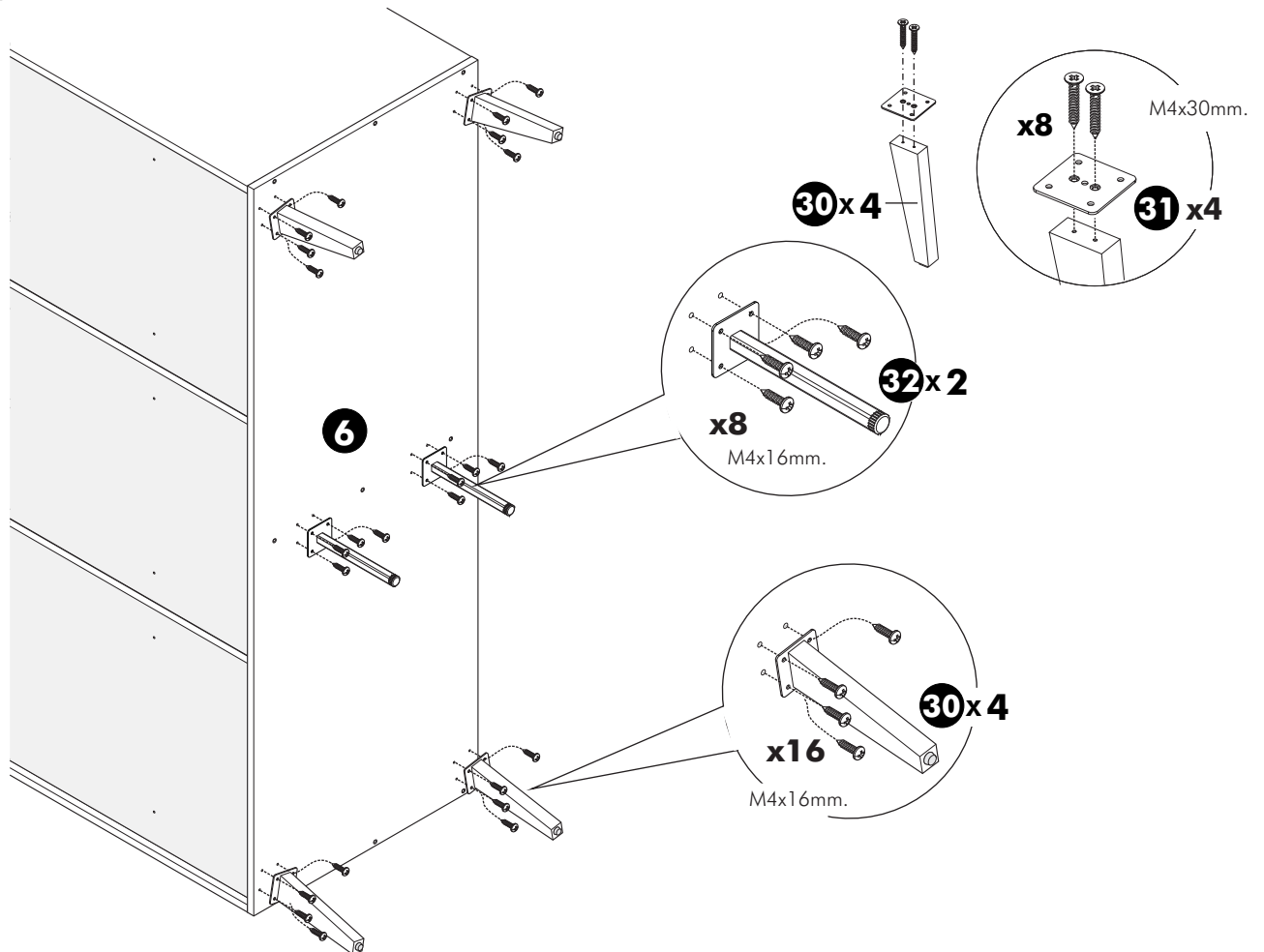
8.



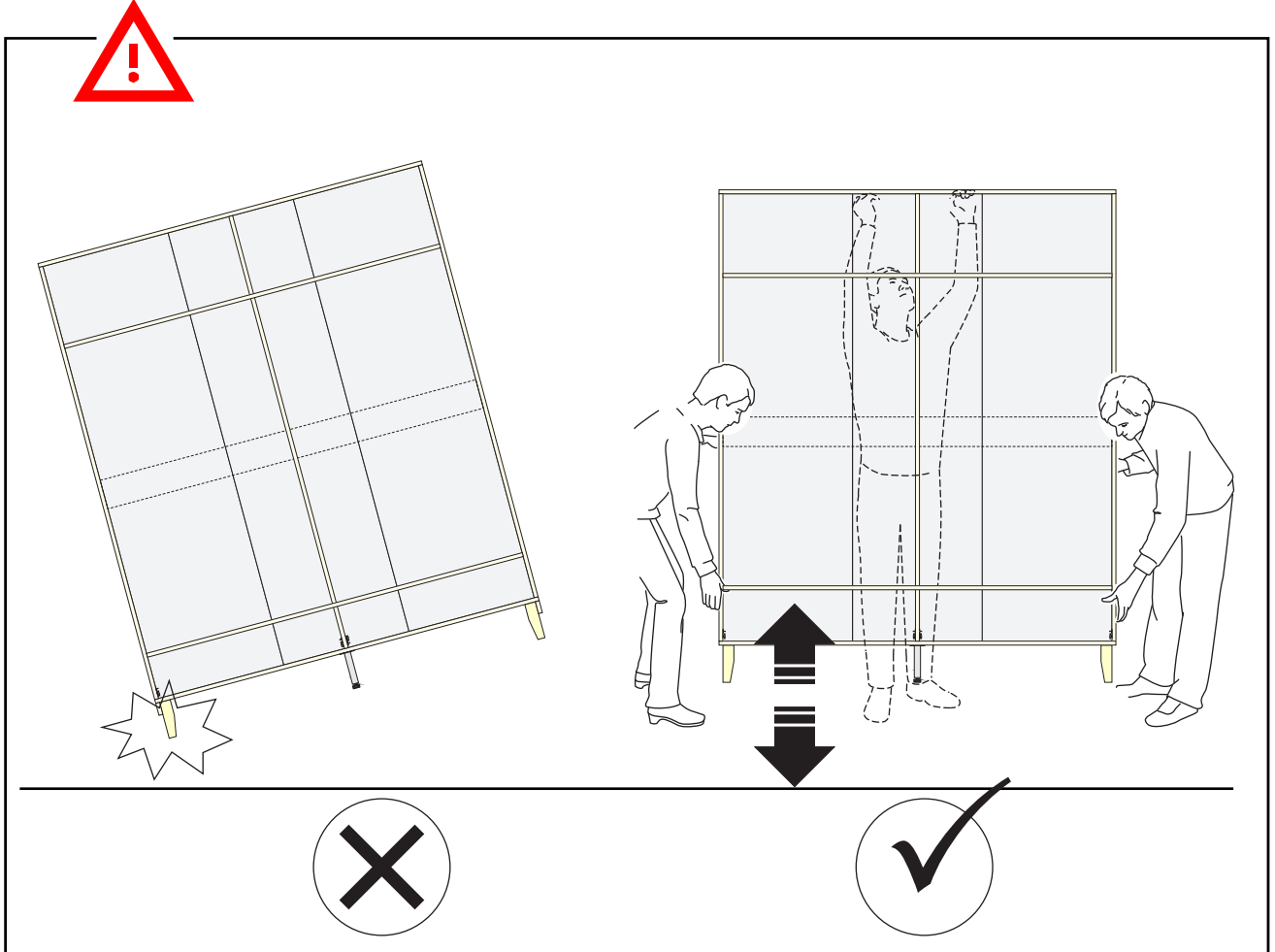
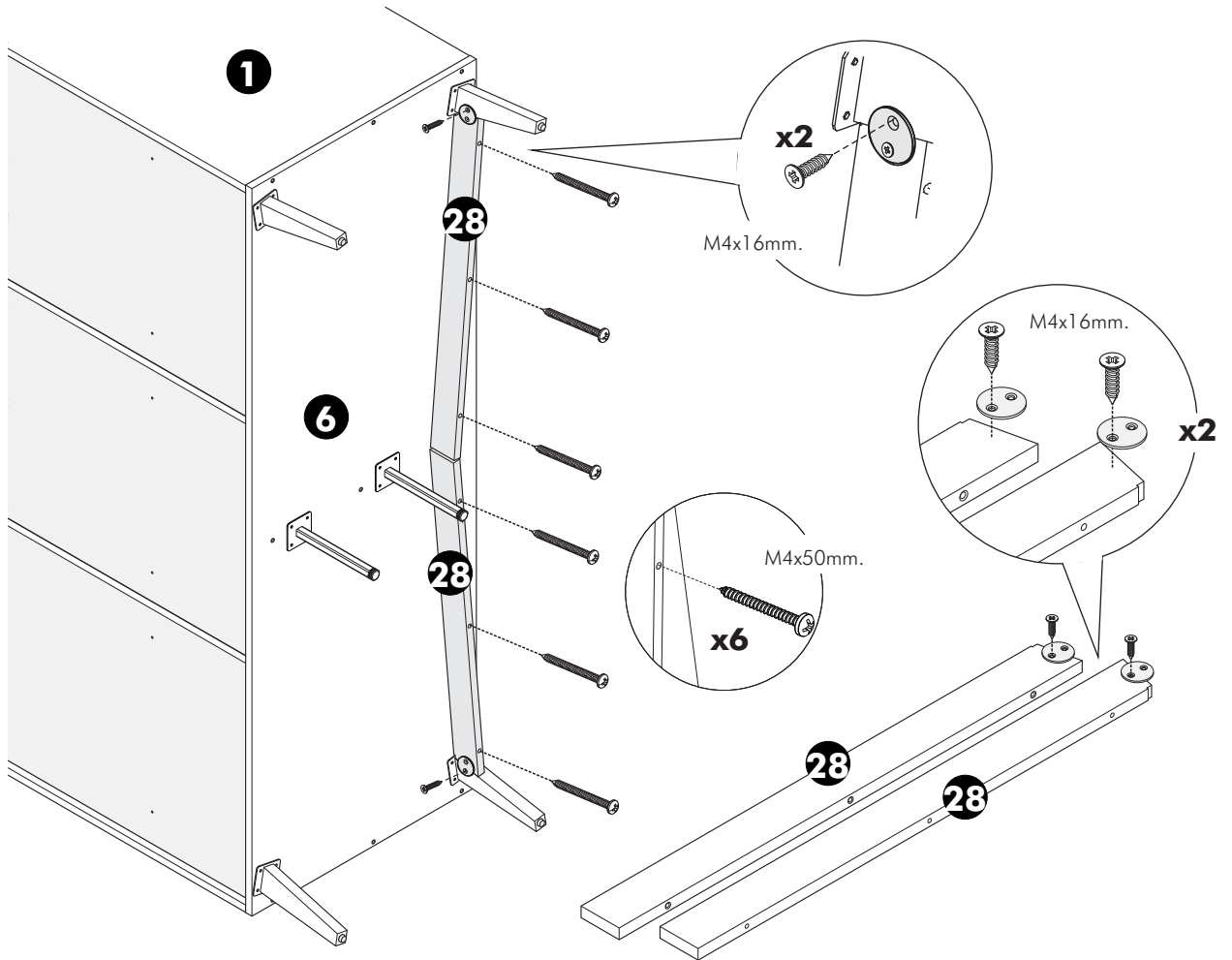
9.



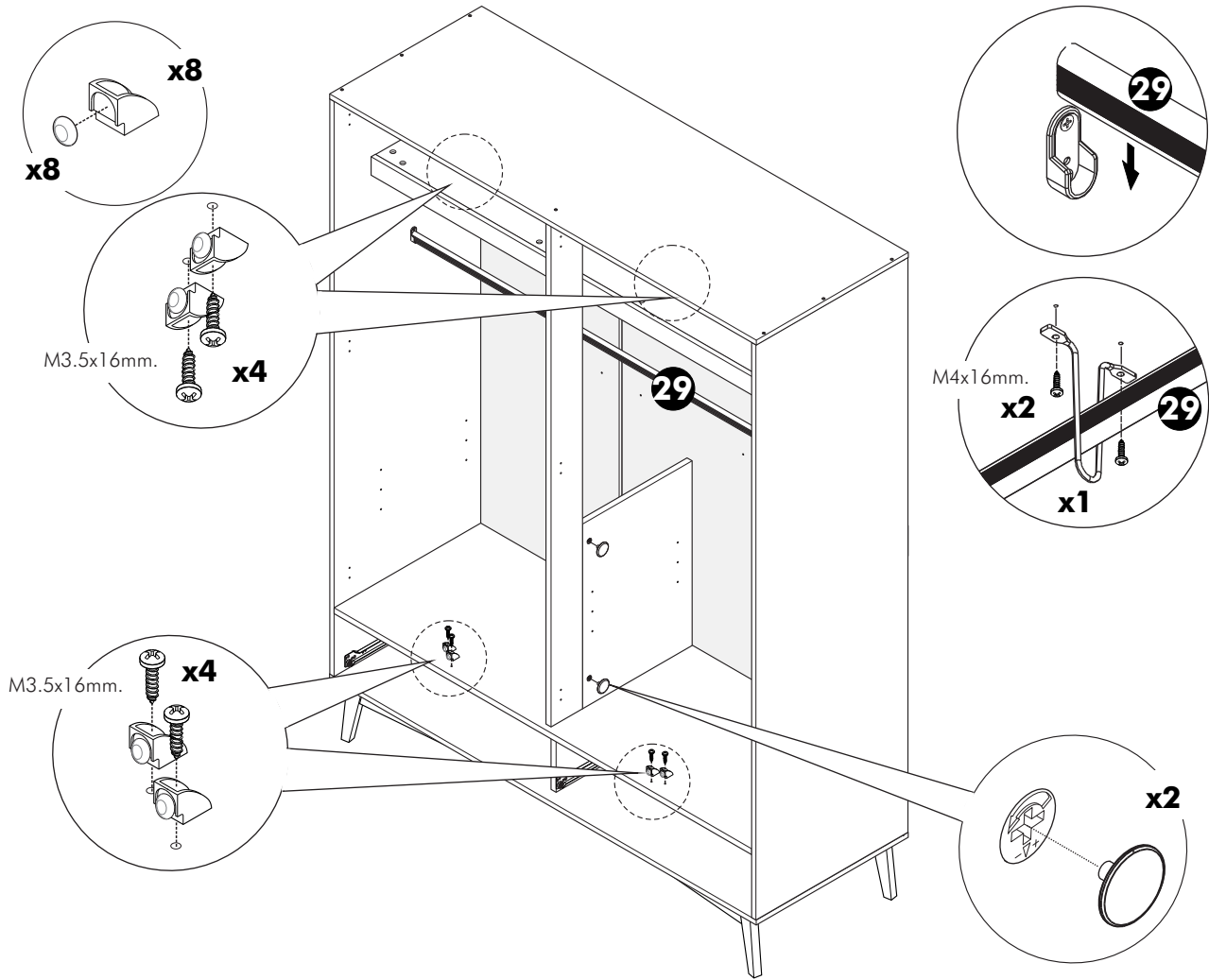
10.



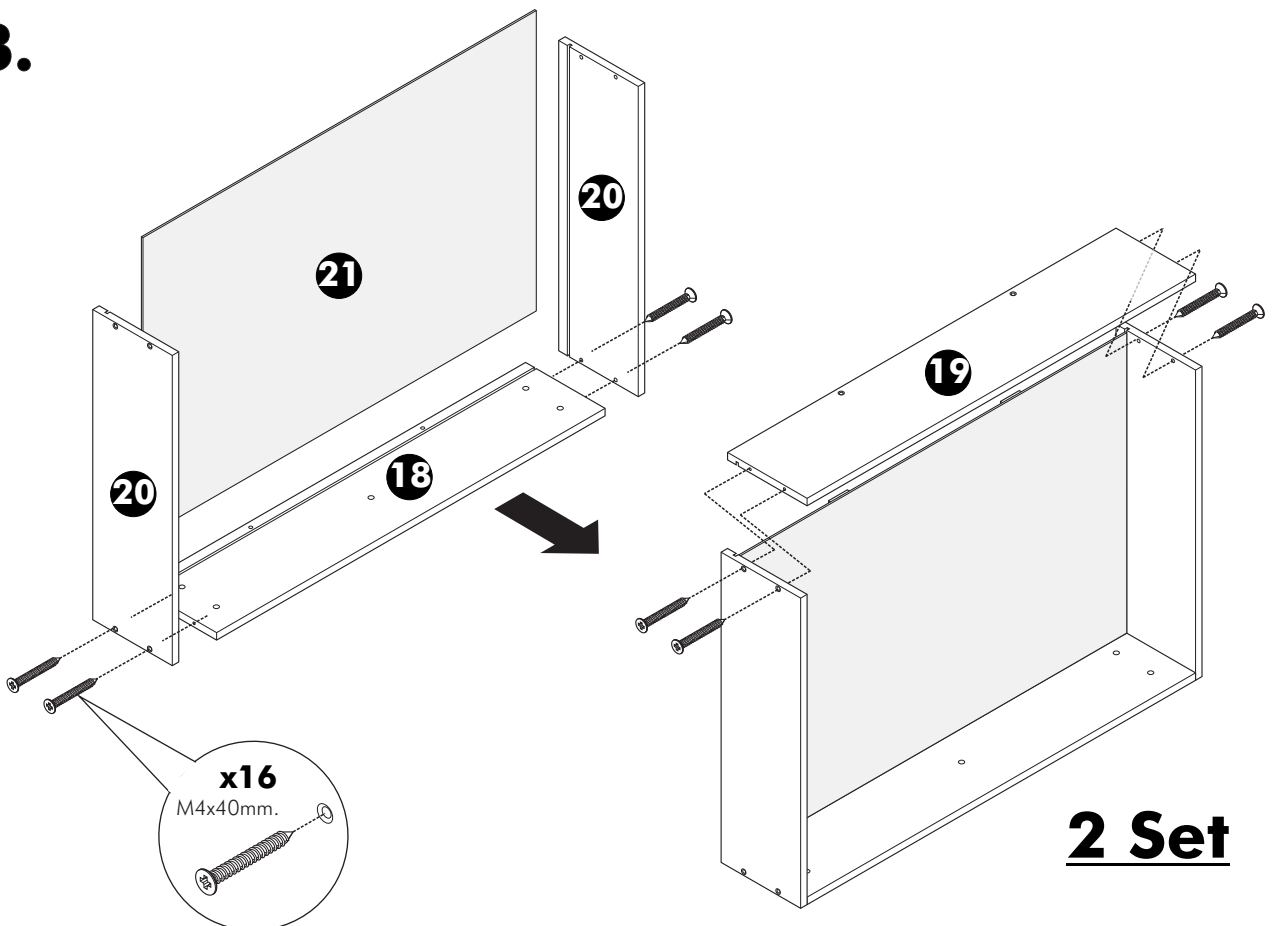
11.



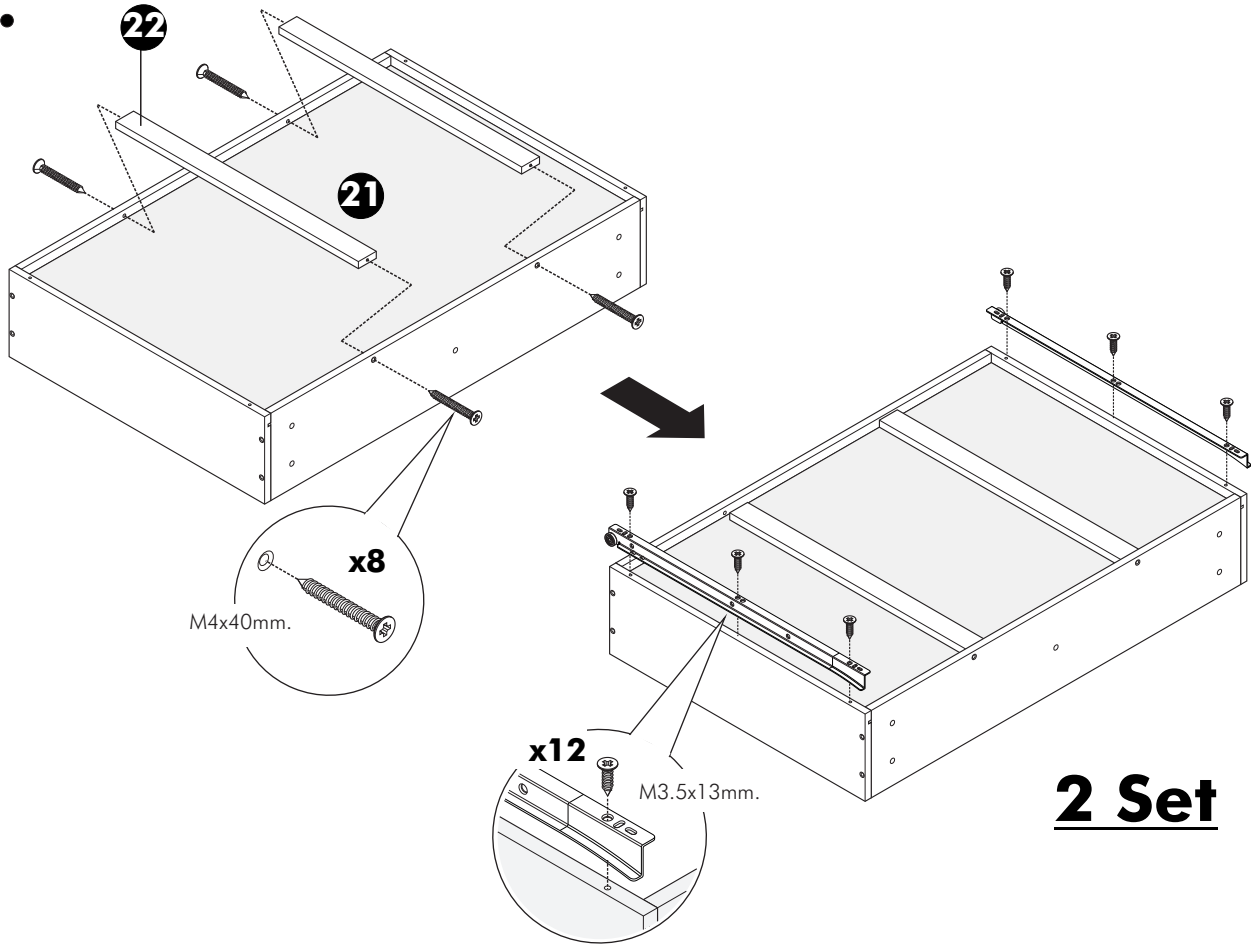
12.



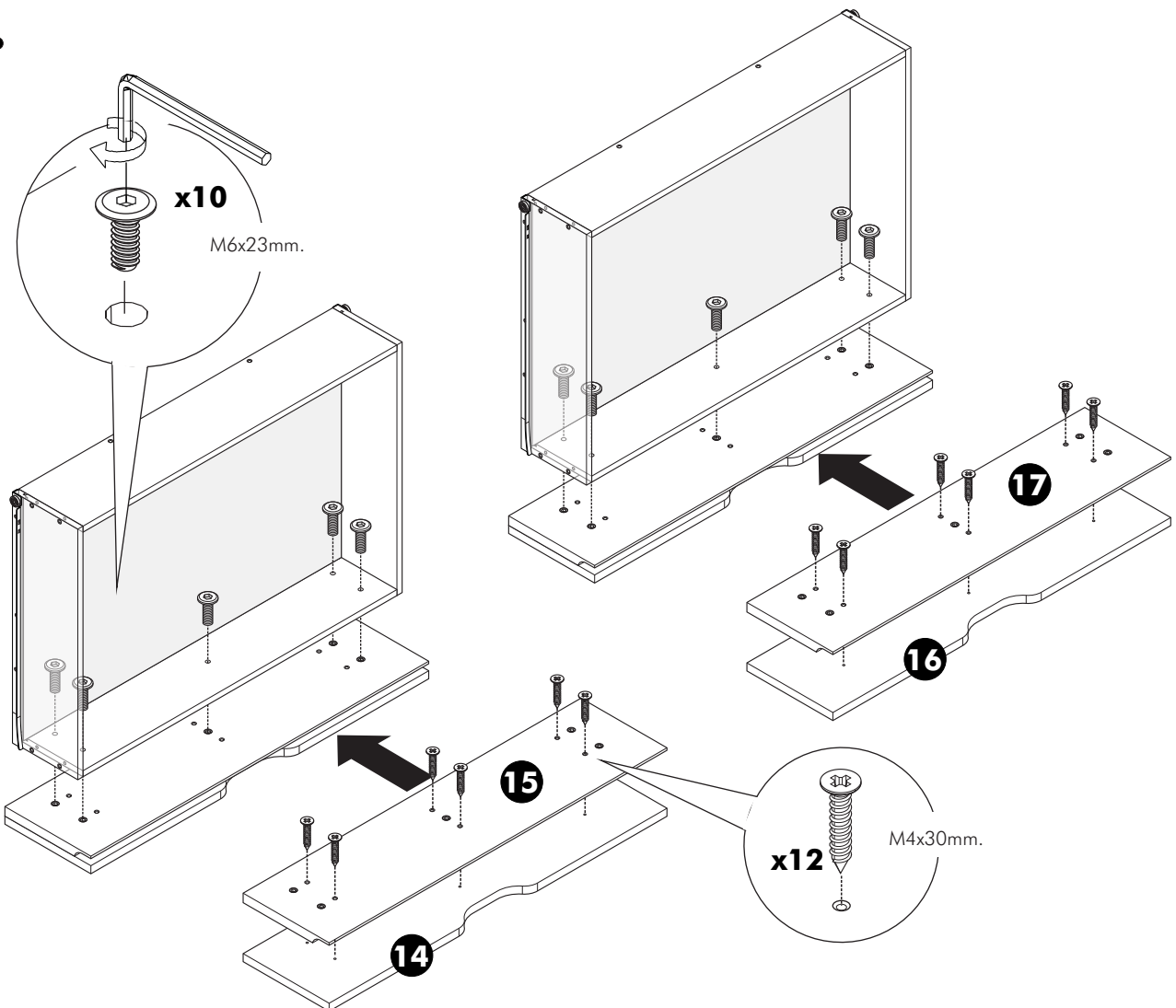
13.



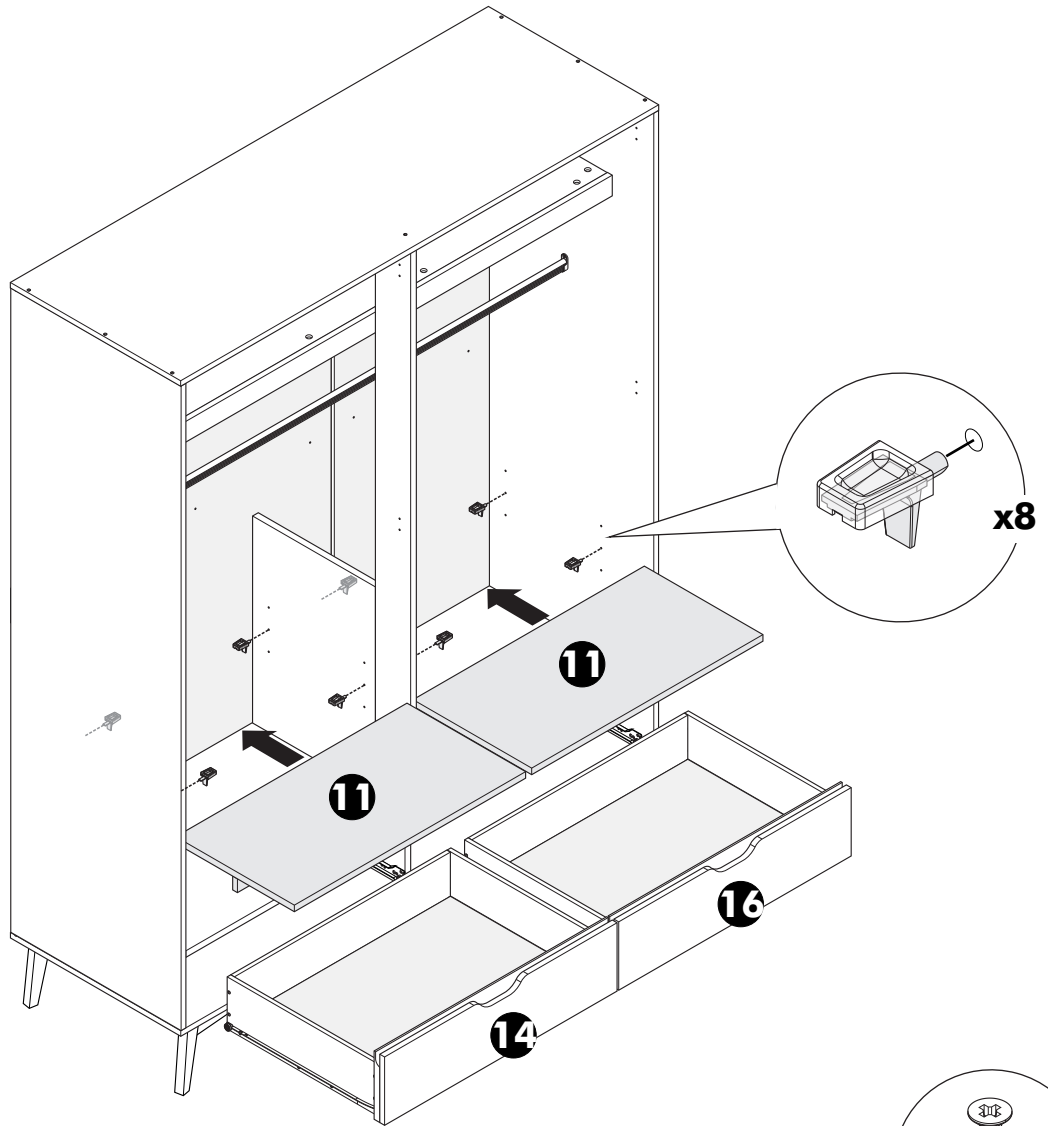
14.



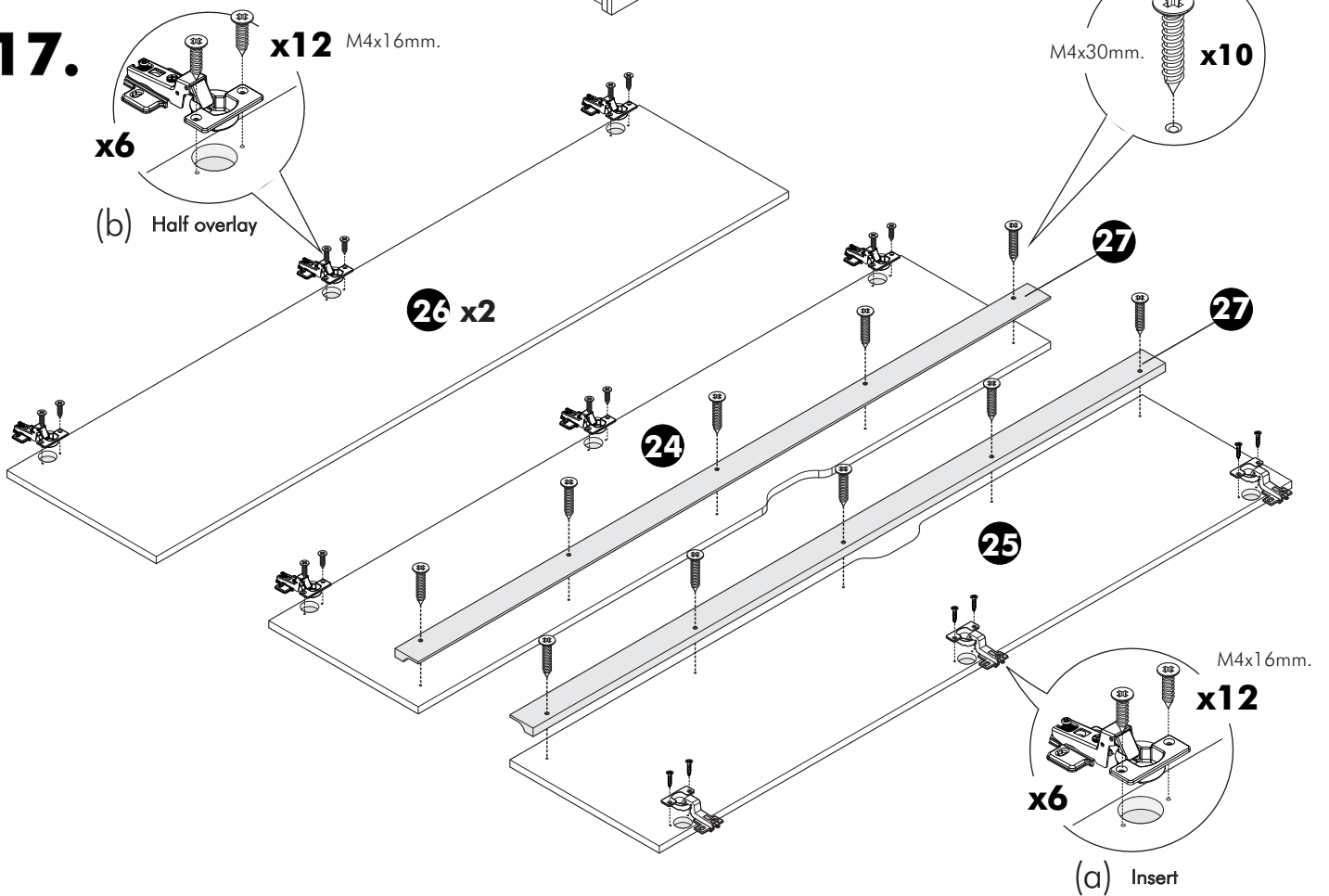
15.



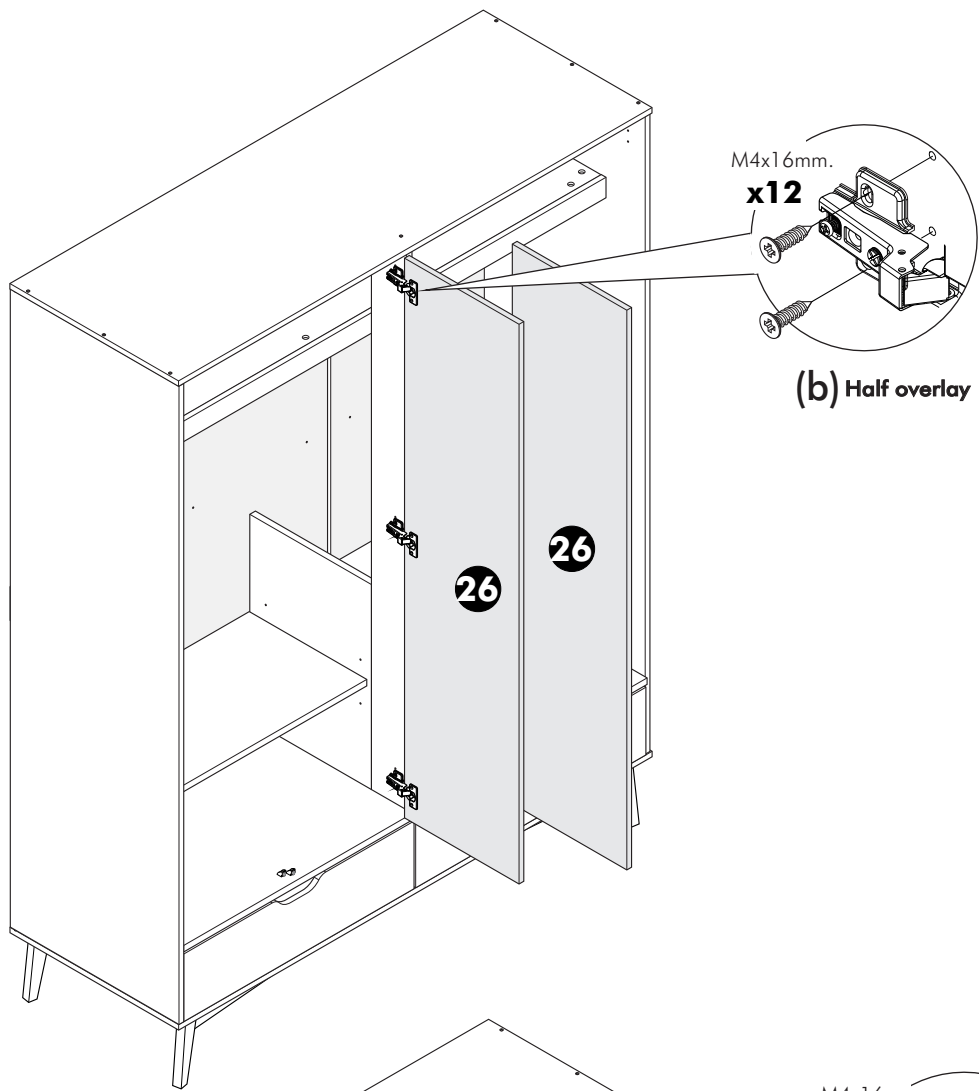
16.



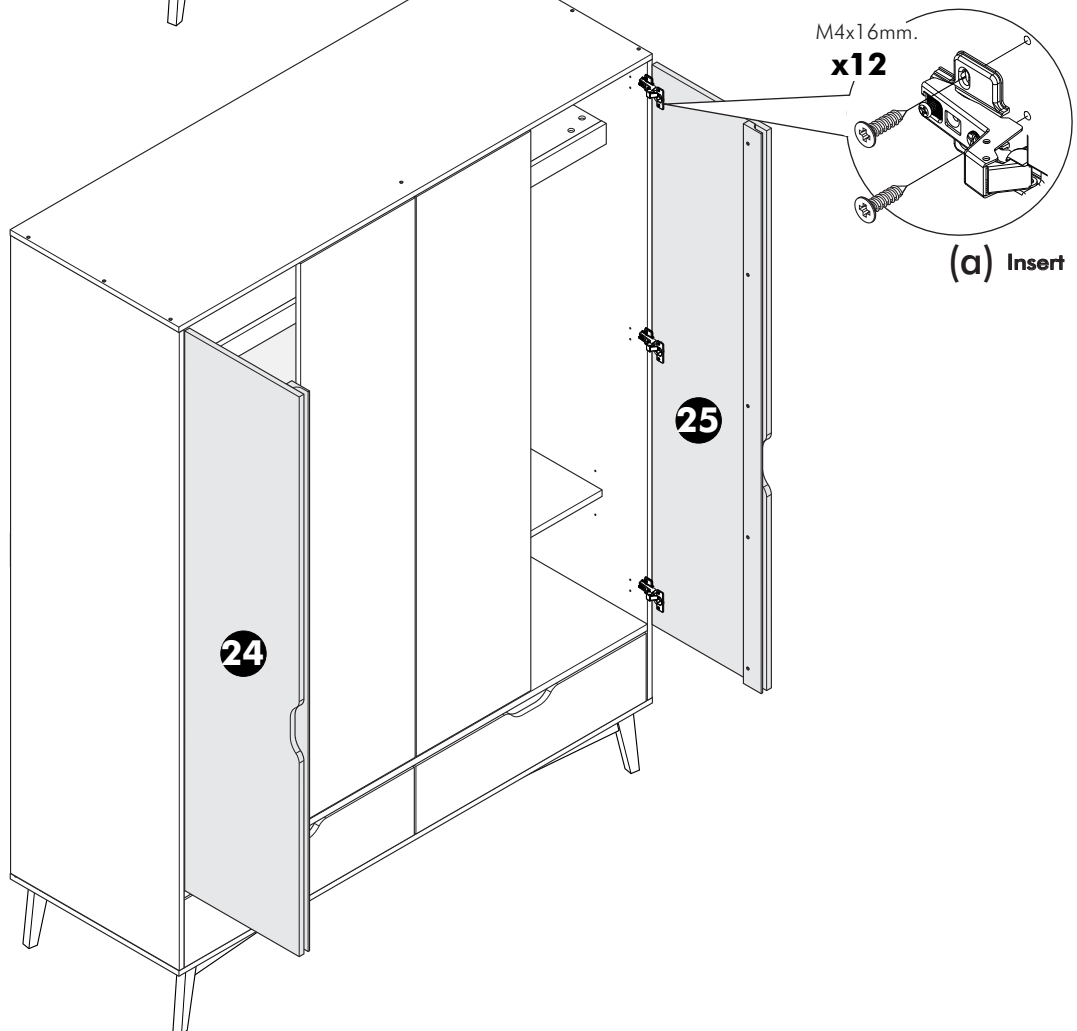
17.

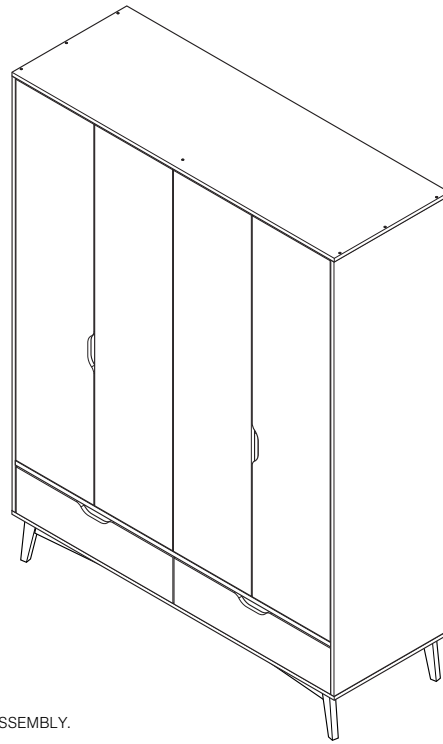
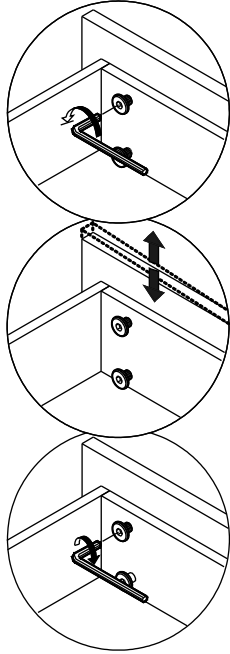


18.



19.





- AFTER FINISHED ASSEMBLY.
INCASE OF GAP BETWEEN DRAWERS ARE NOT ALIGN.
PLEASE ADJUST AS BELOW.
1. LOOSE SCREW A LITTLE BIT.
 2. THEN MOVE FRONT DRAWER TO ALINGNMENT POSITION.
 3. TIGHTEN SCREW.

