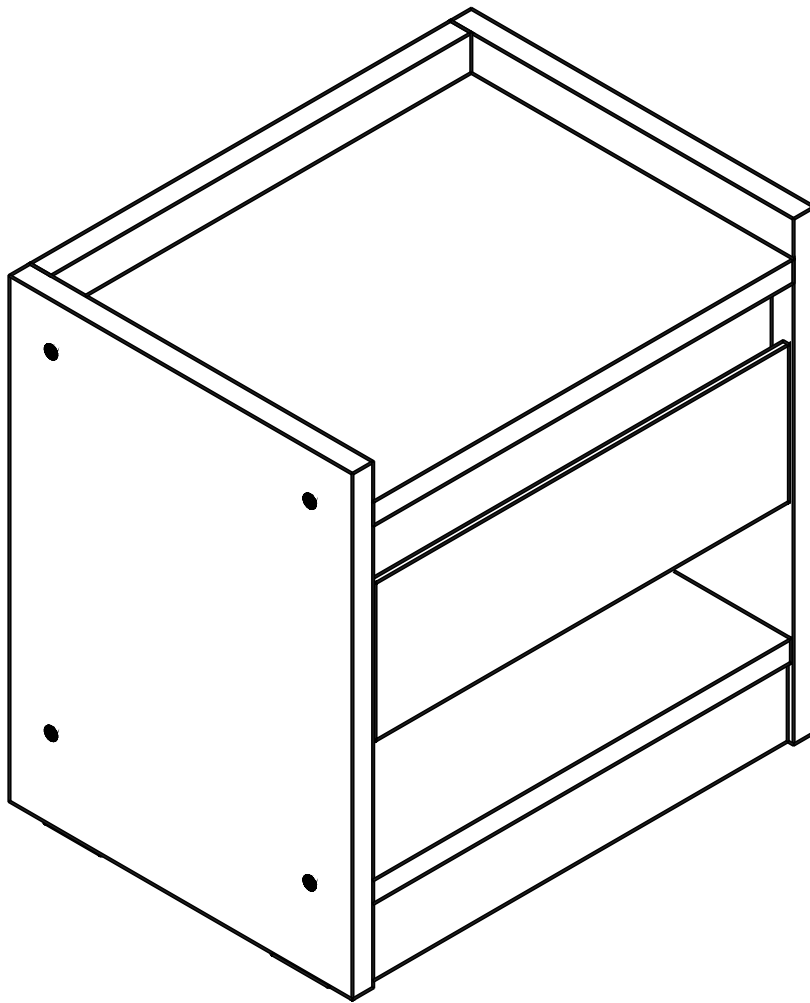
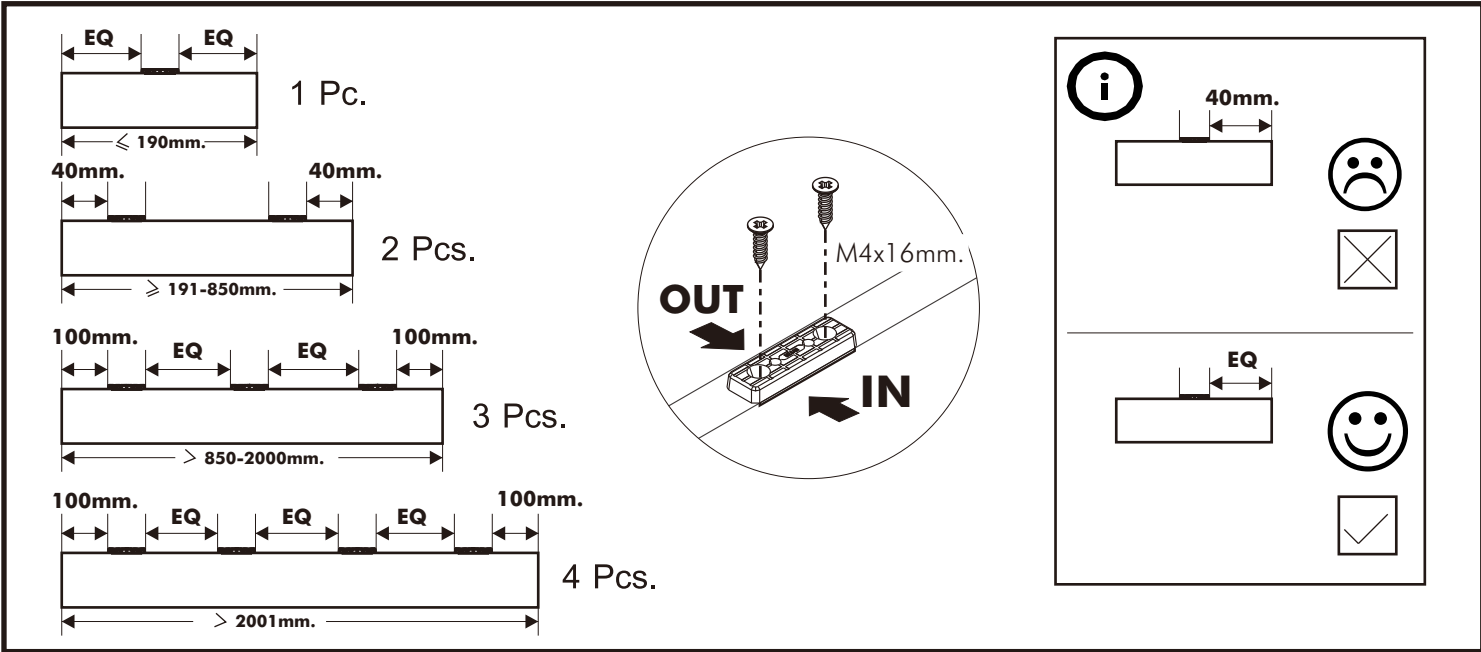
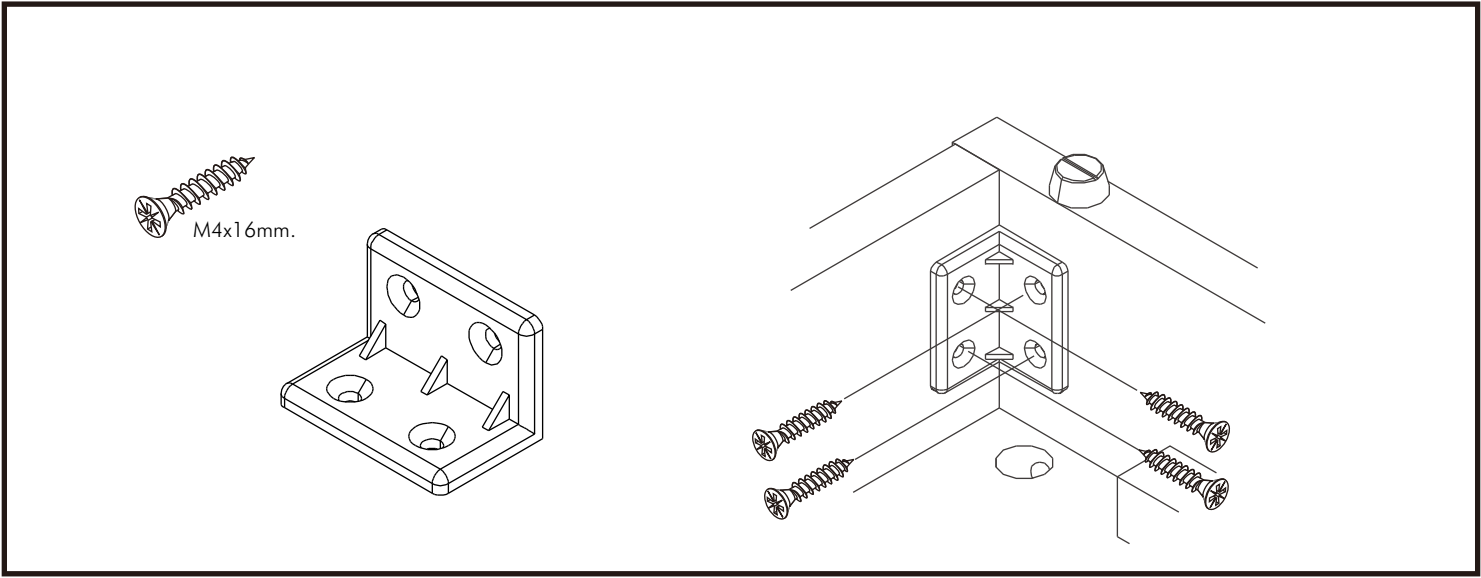
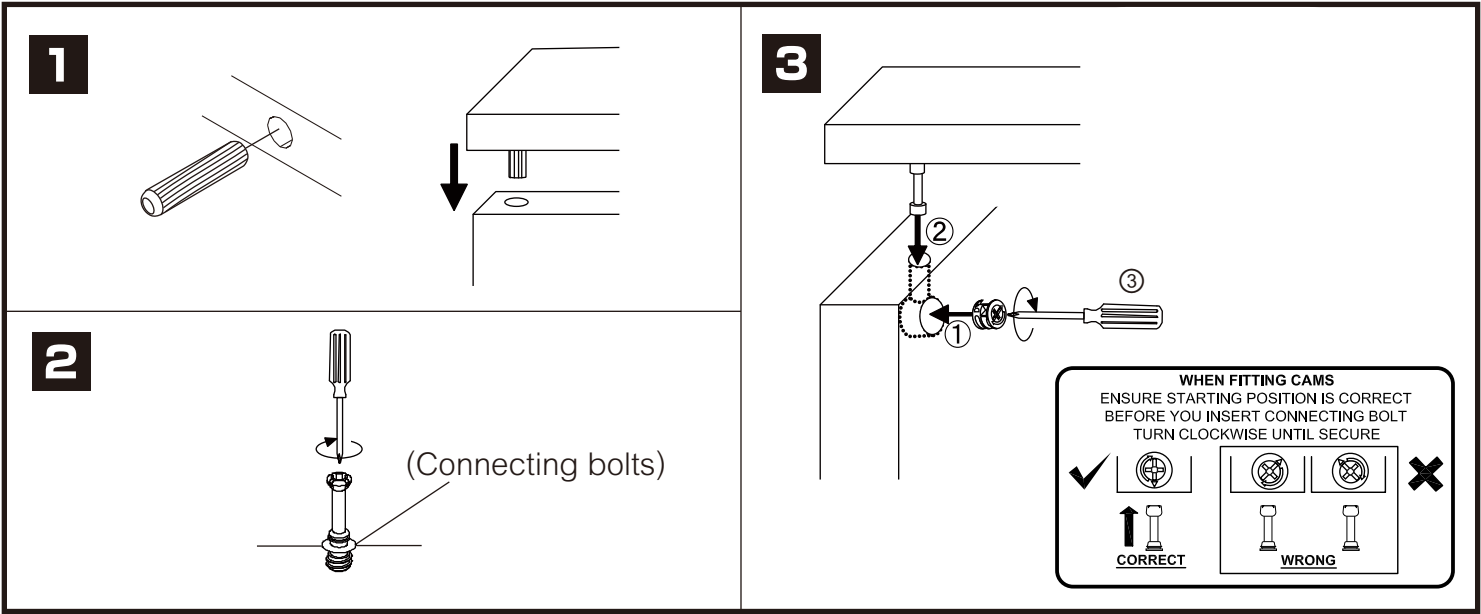


CO-SPENCER

Night Table

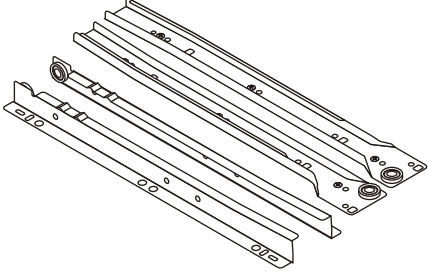
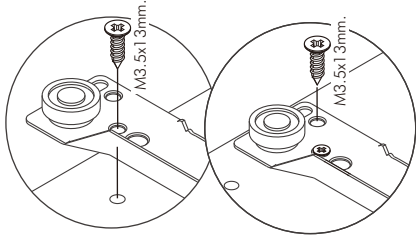


CONNECT SYSTEM





M3.5x13mm.



28mm.

1

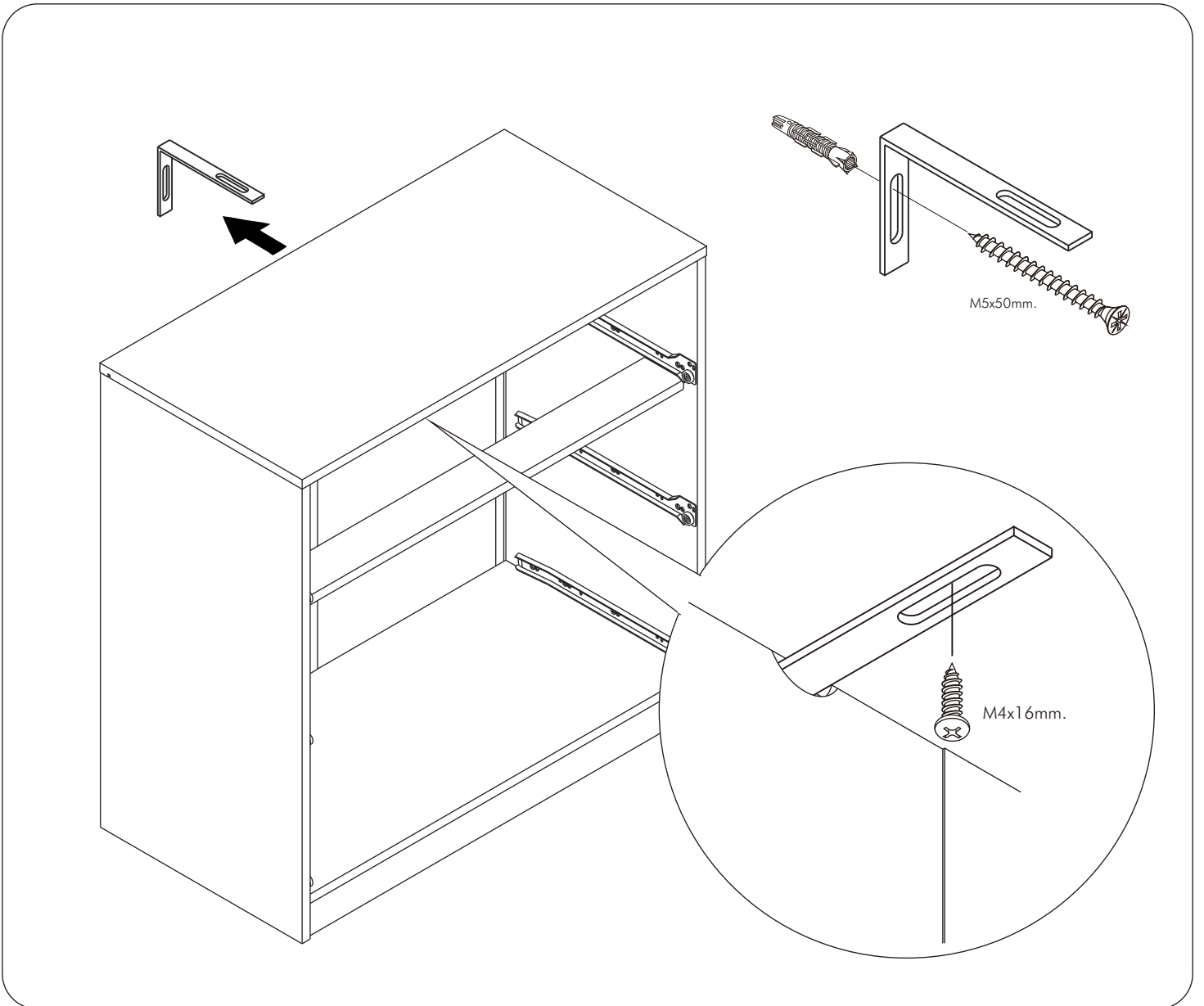
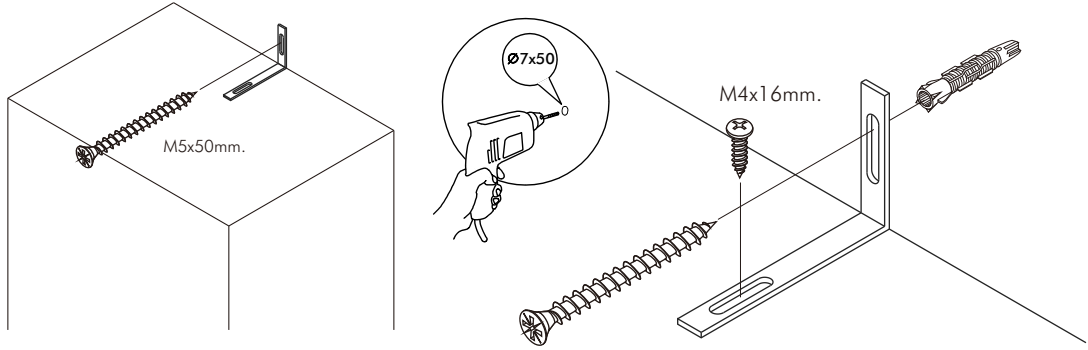
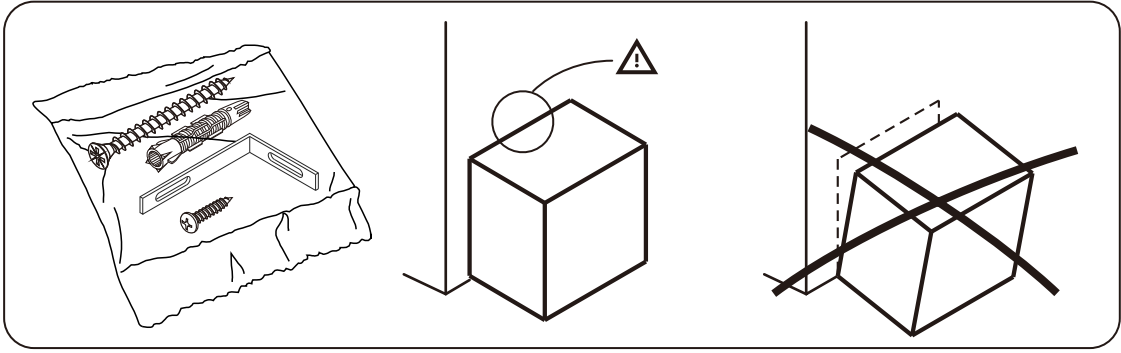


Use these holes

2

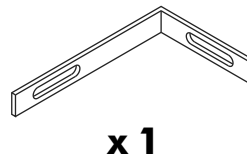
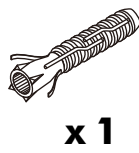
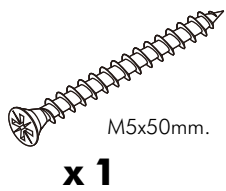
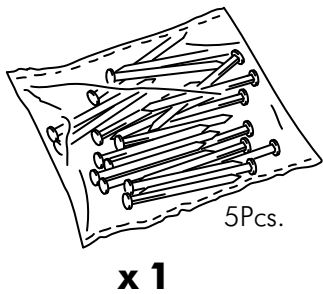
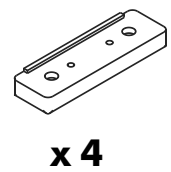
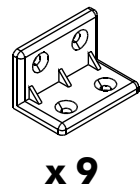
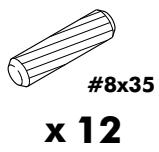
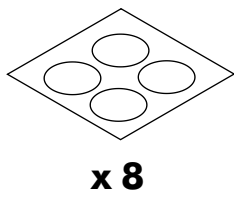
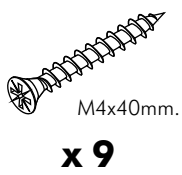


Use these holes

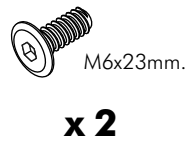
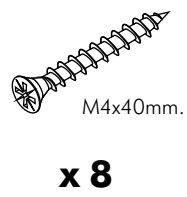
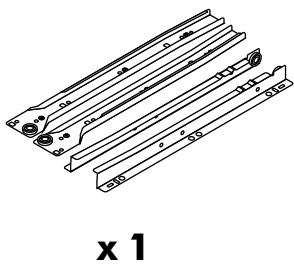


HARDWARE

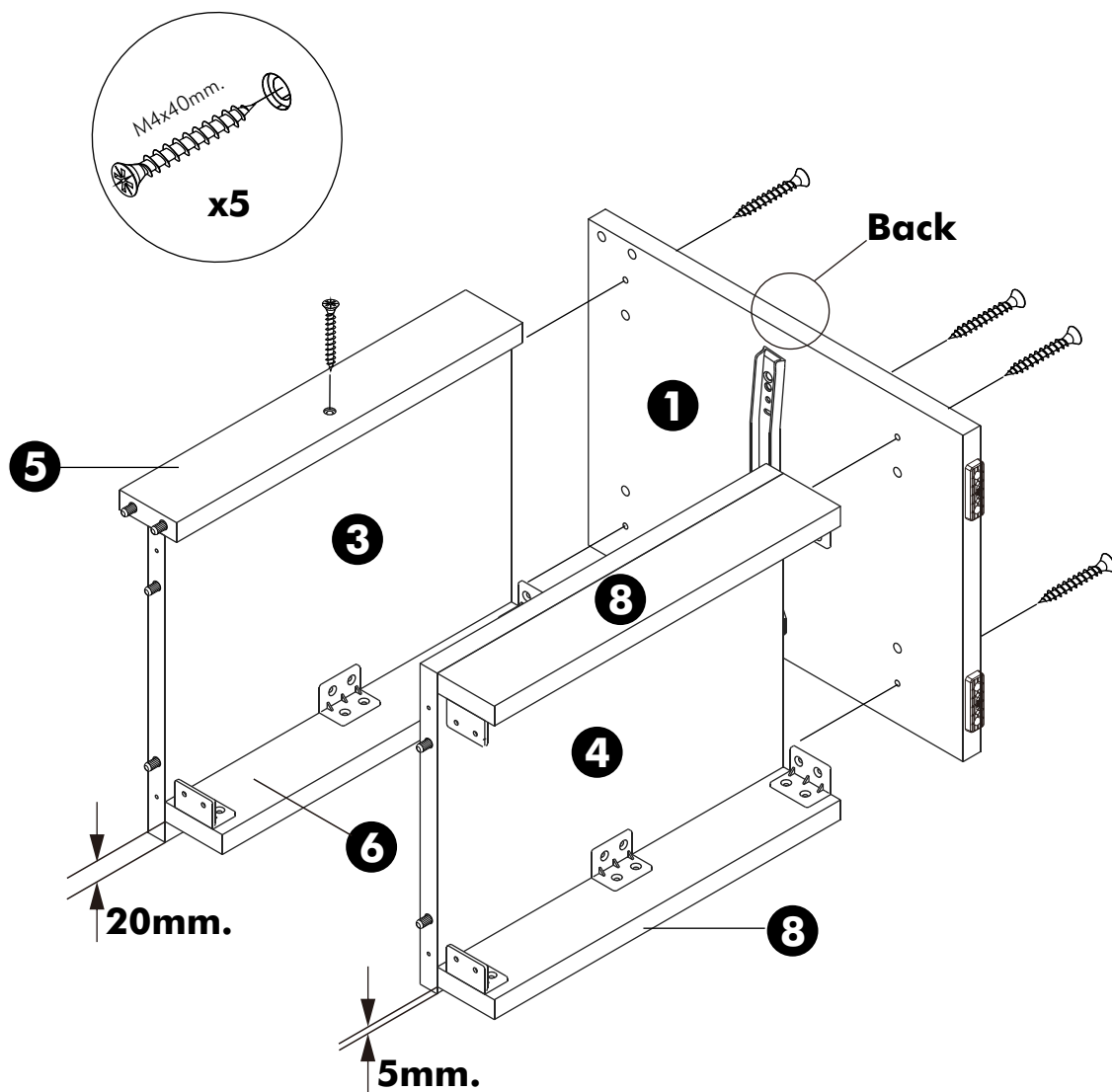
-BODY SET



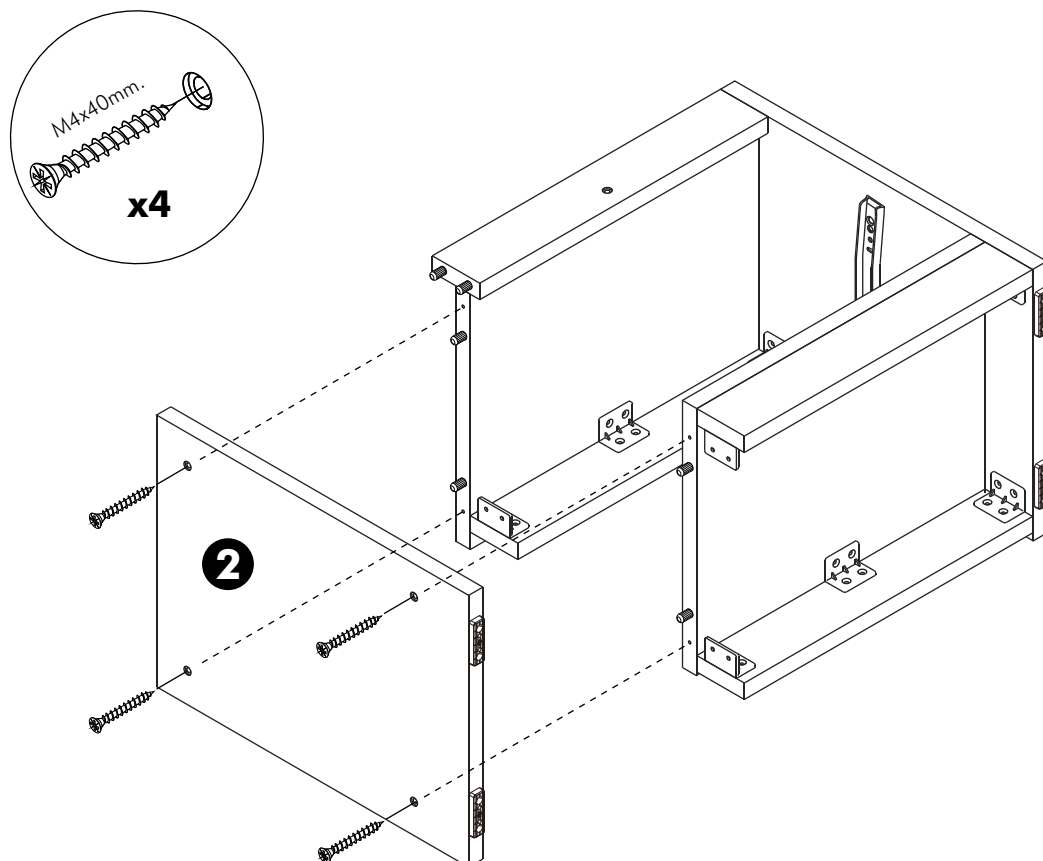
-DRAWER SET



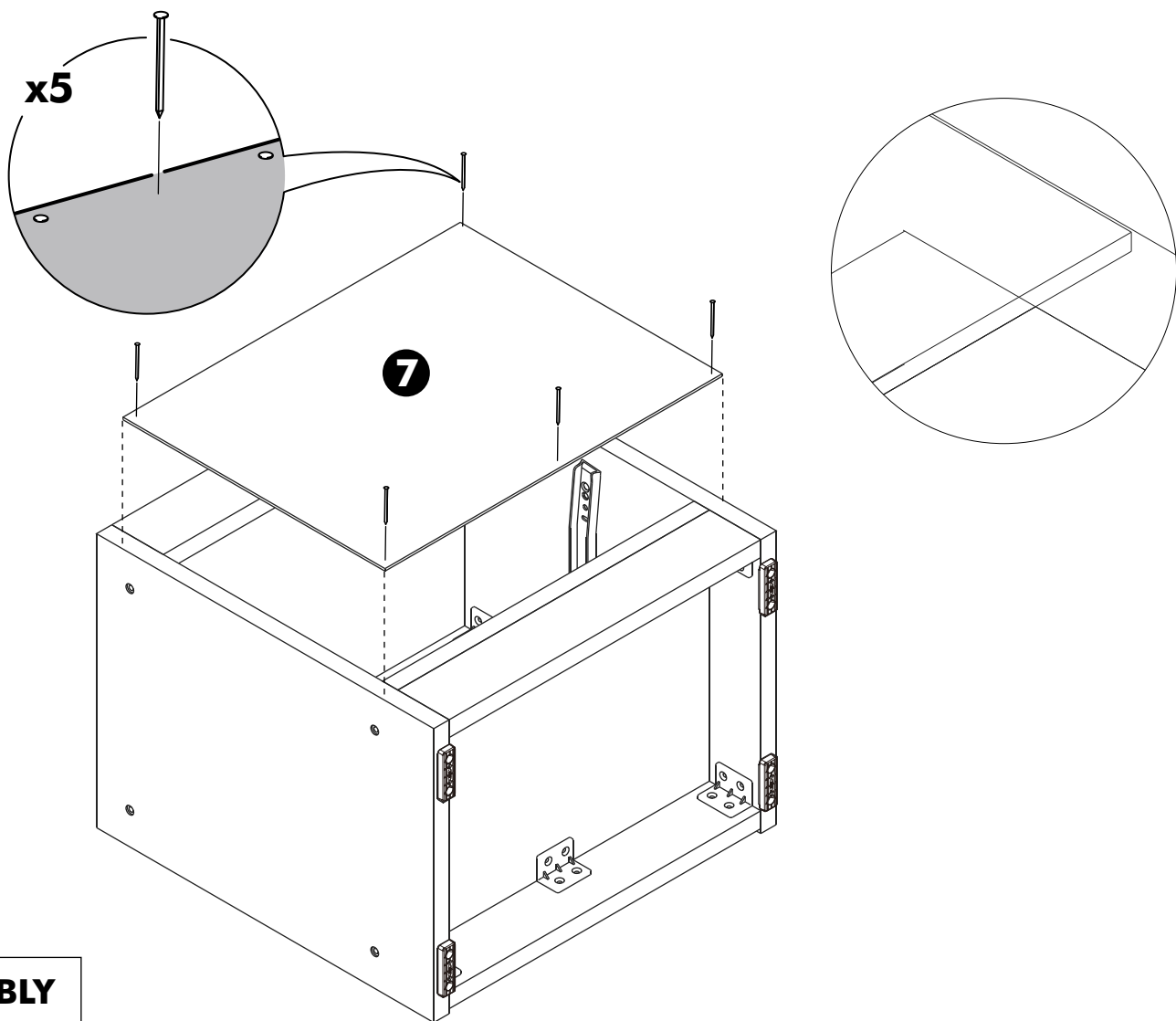
1.



2.



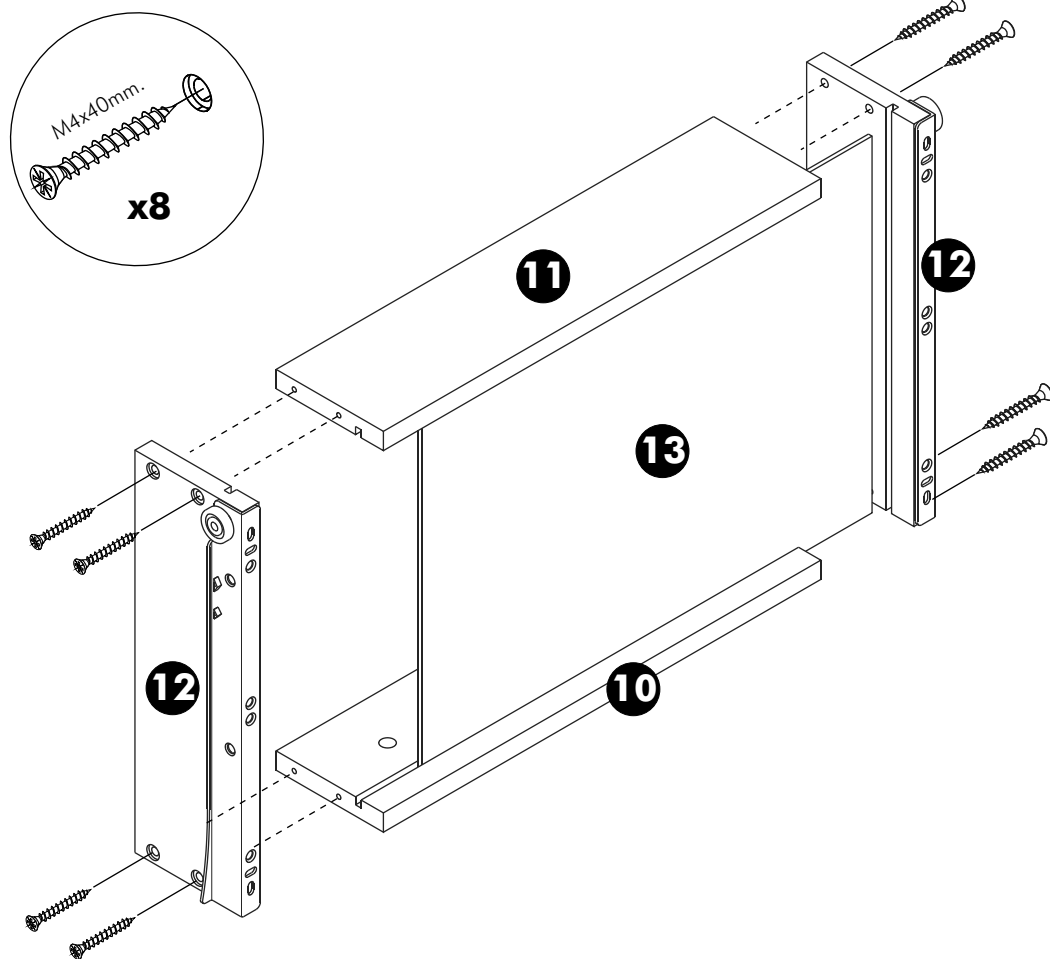
3.



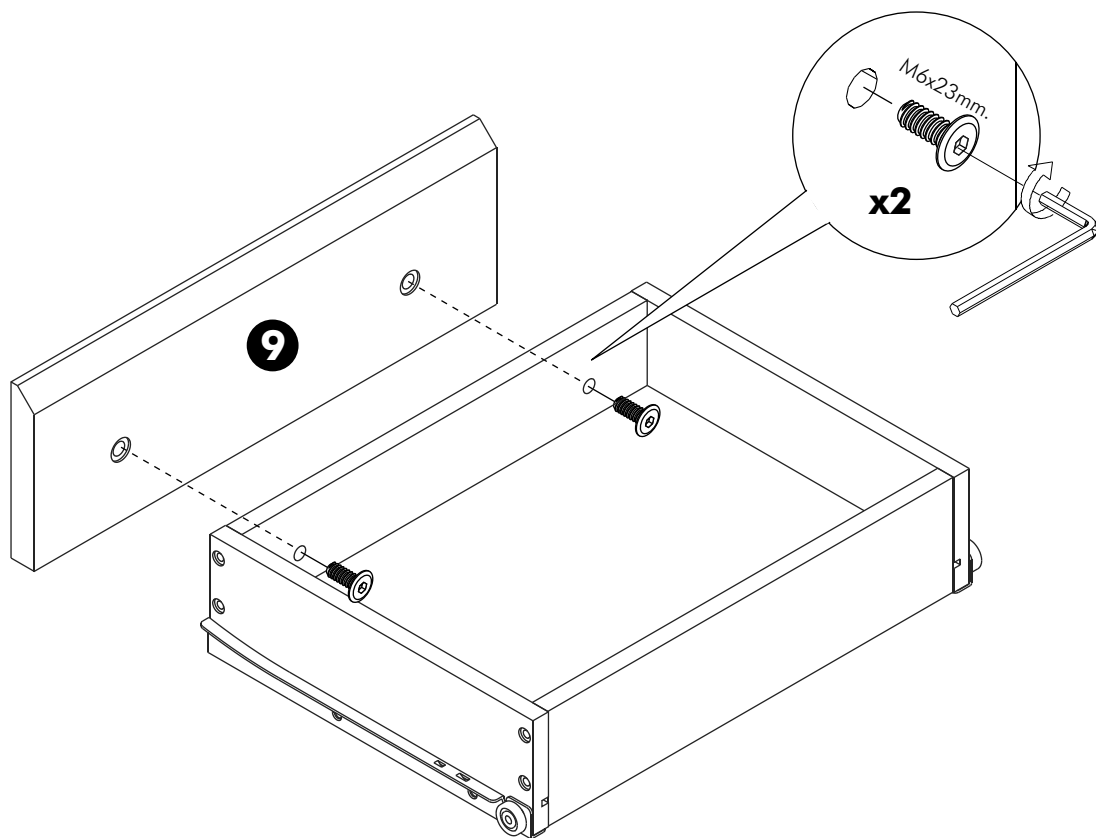
ASSEMBLY

-DRAWER SET

4.



5.



6.

