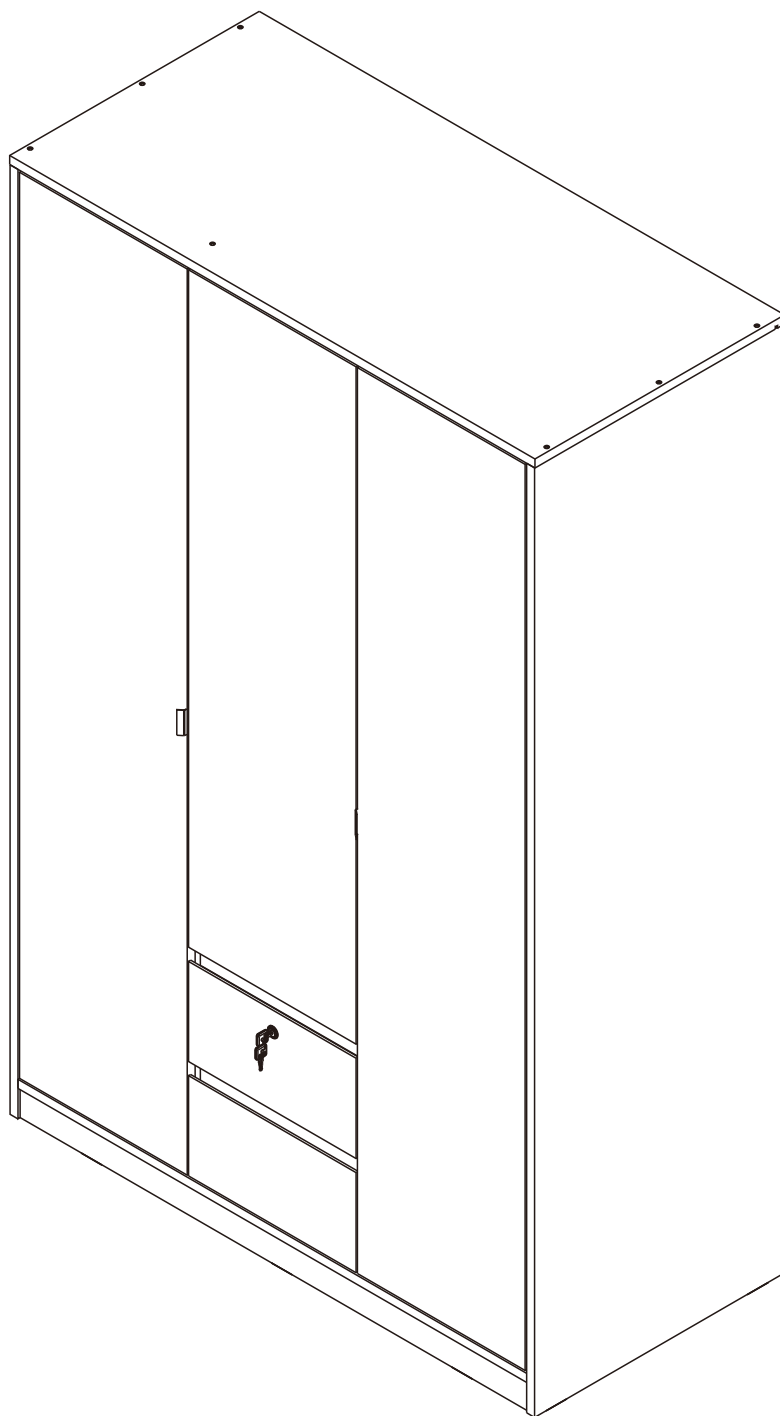
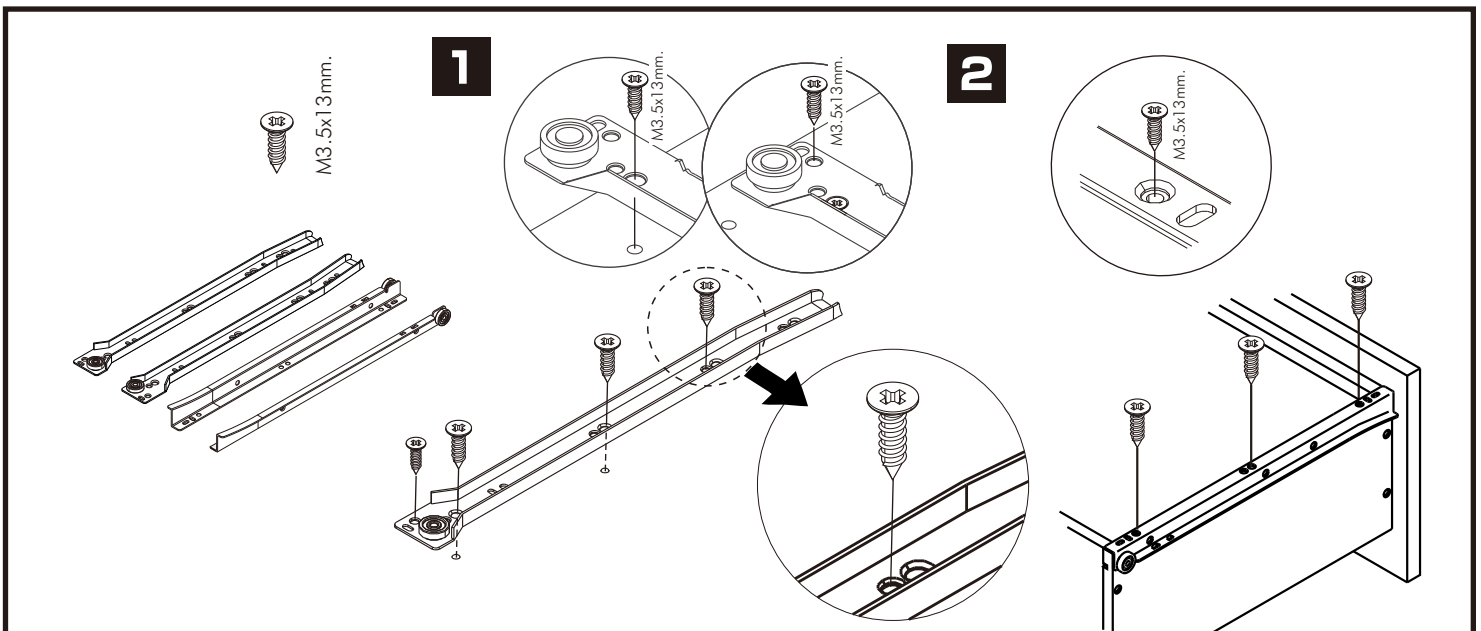
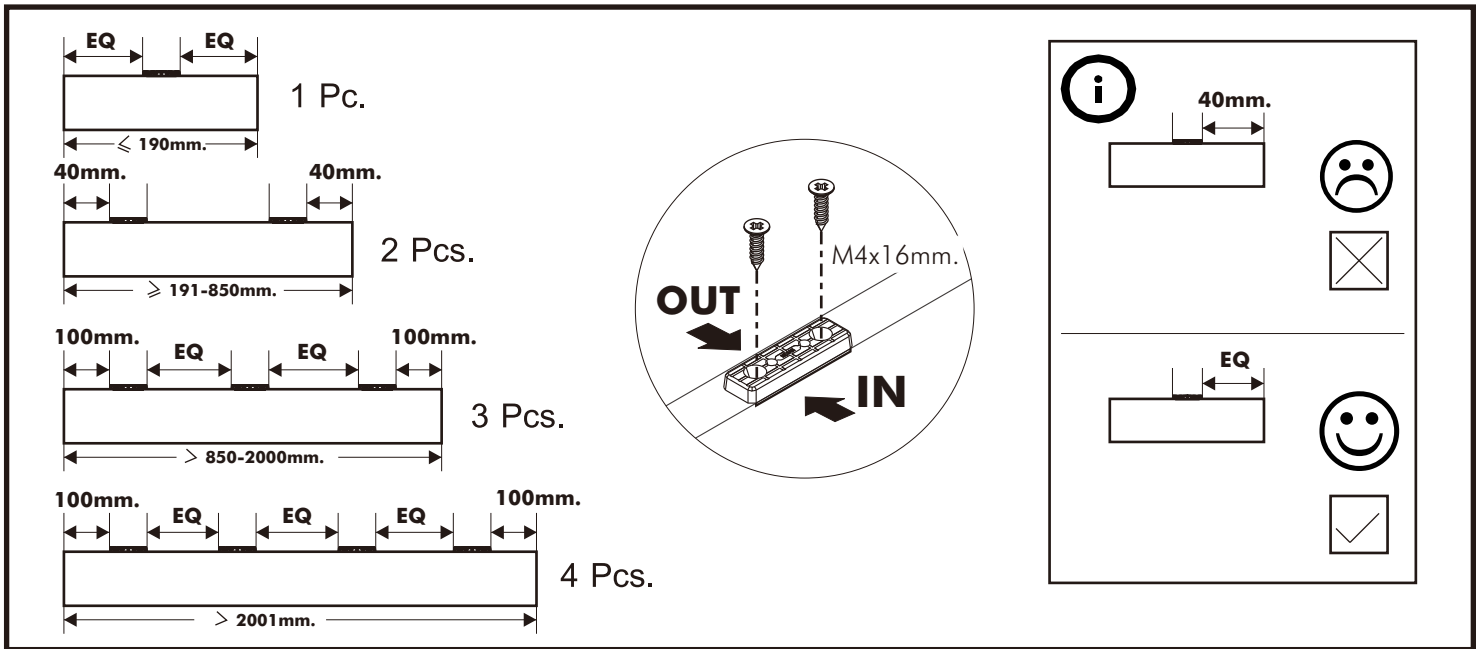
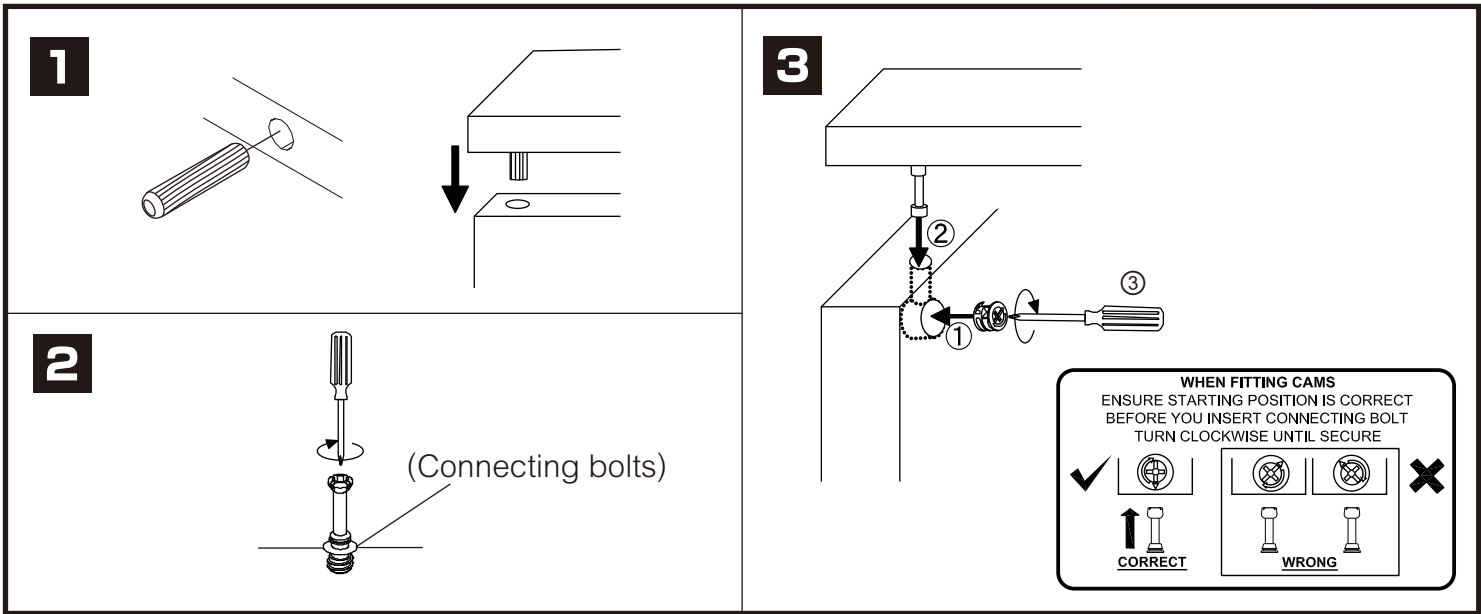


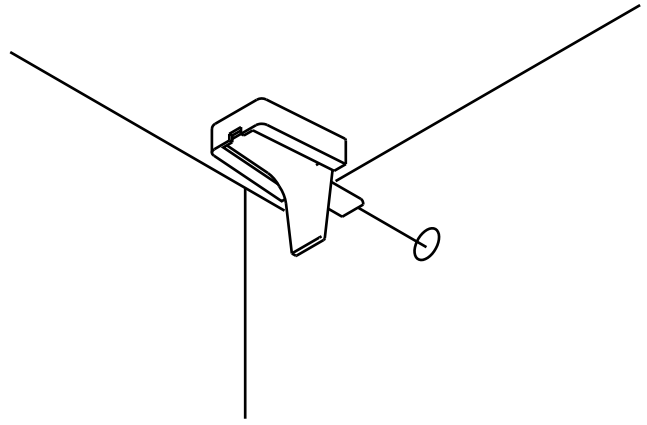
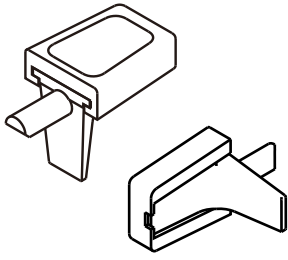
# CO-SPENCER

Wardrobe 3 doors



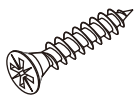
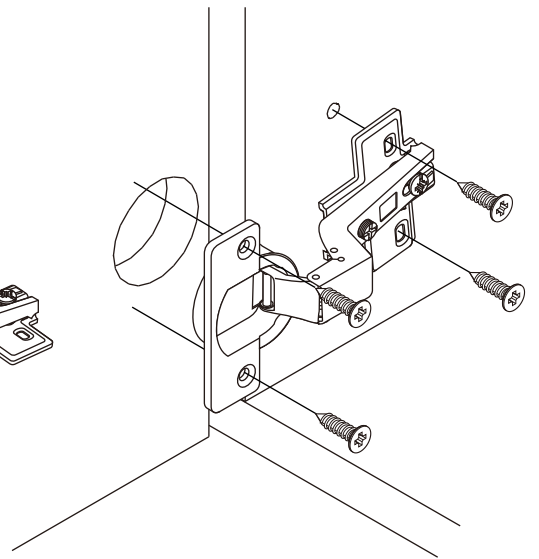
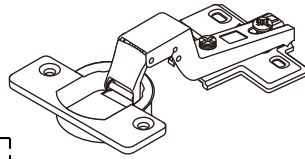
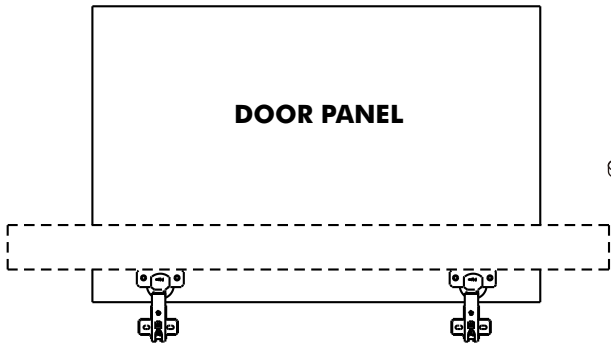
# CONNECT SYSTEM



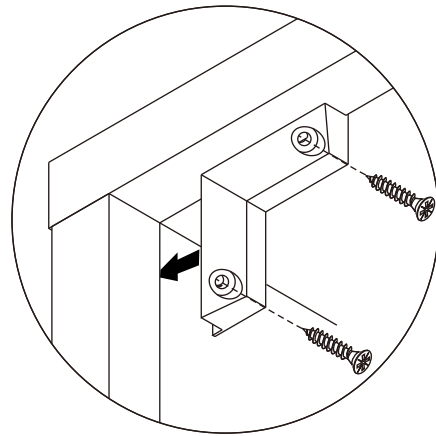
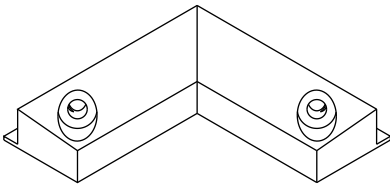


M4x16mm.

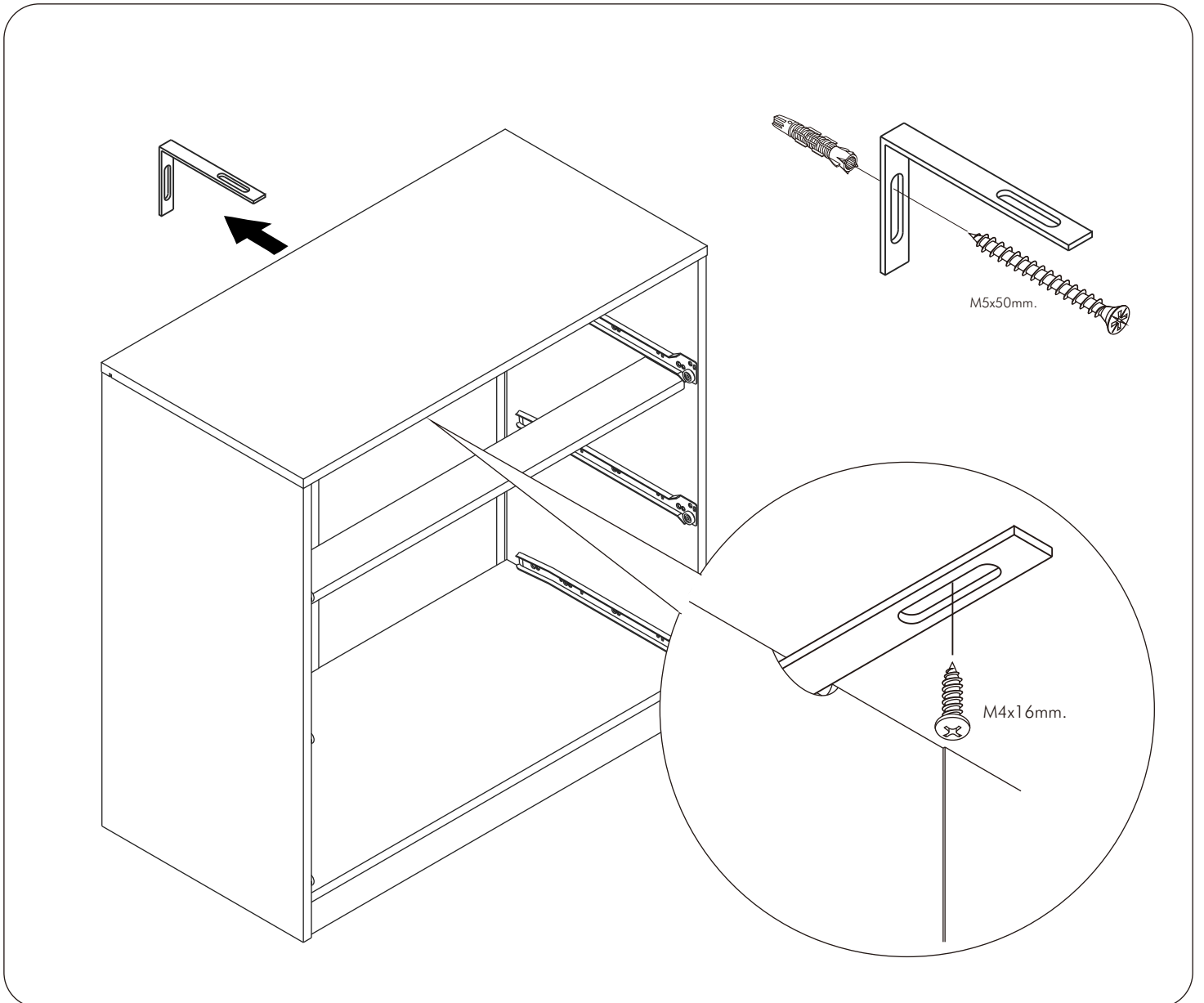
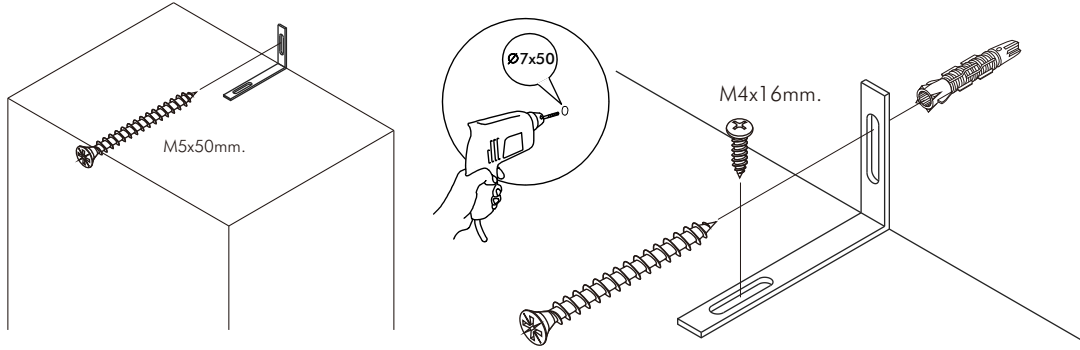
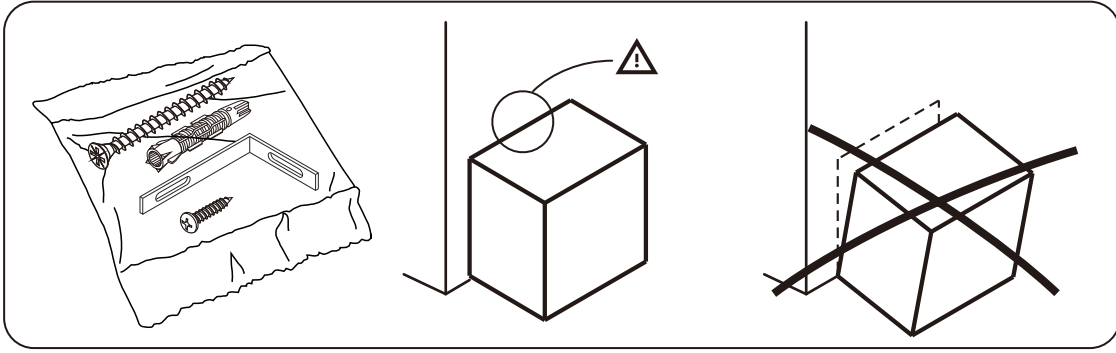
**DOOR PANEL**



M3.5x20mm.

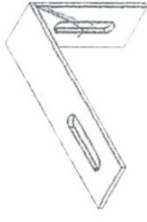


**x2**

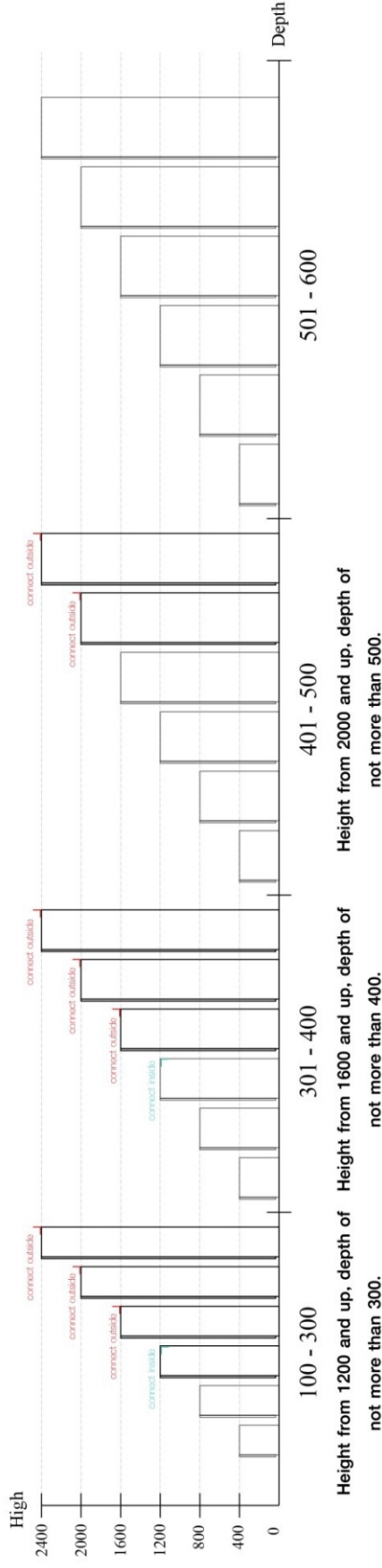


**The Standard for identifying which mounted safety fall protection fitting to use** **Note : That children's products must be installed with all anti-falling fittings.**

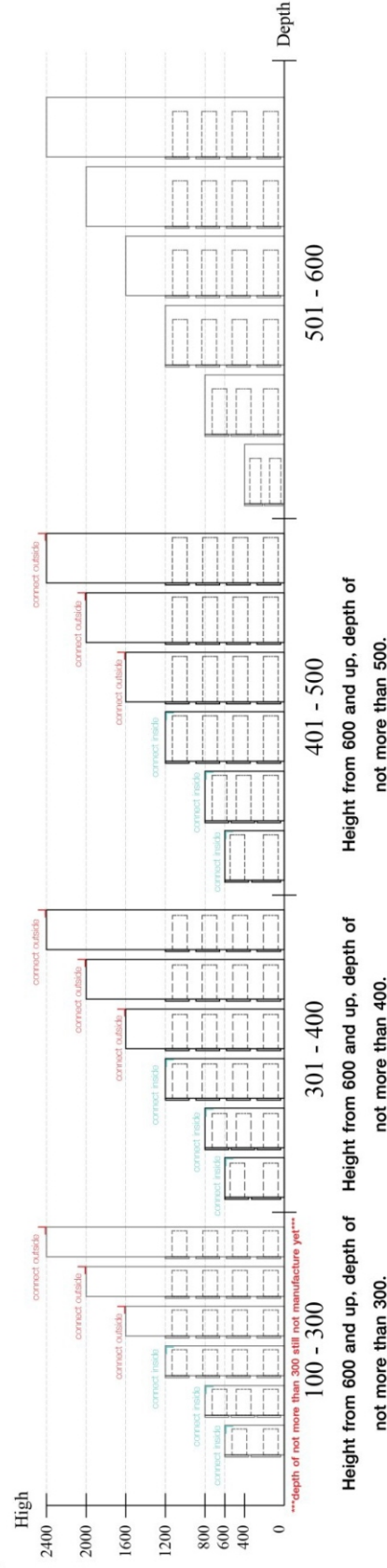
■ Mounted fall protection fittings



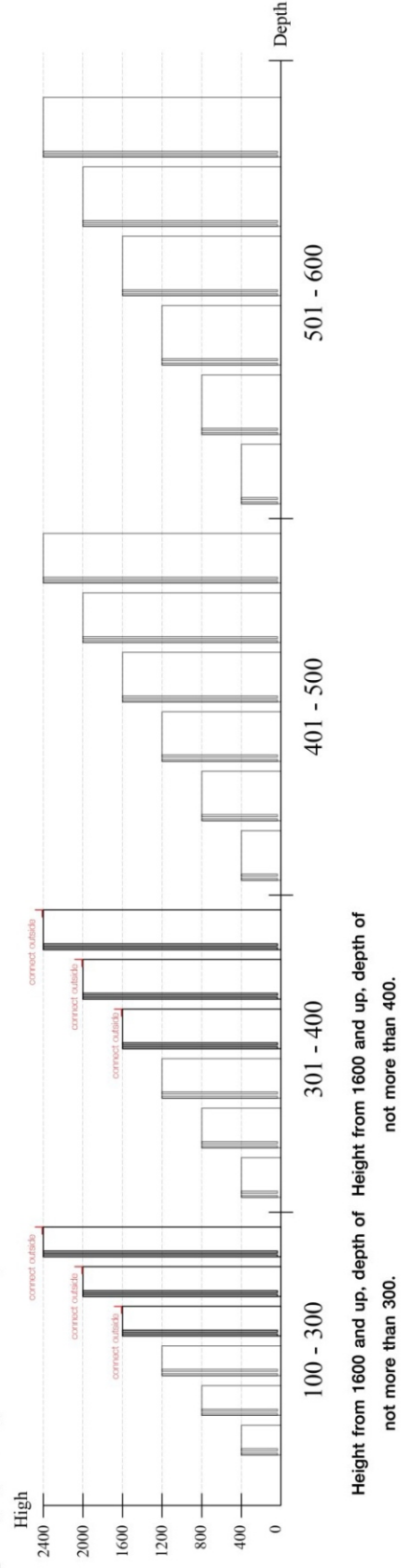
■ Category : Cabinet with open doors



■ Category : Chest of drawers

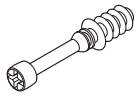


■ Category : Sliding door cabinet / Open cabinet



# HARDWARE

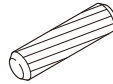
## -BODY SET



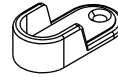
**x 4**



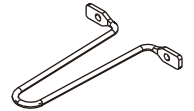
**x 4**



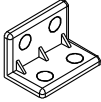
**x 28**



**x 4**



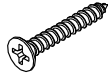
**x 1**



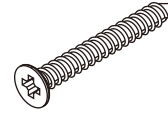
**x 16**



**x 6**



M4x25mm.  
**x 18**



M4x40mm.  
**x 1**



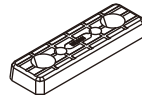
M4x16mm.  
**x 88**



M3.5x13mm.  
**x 8**



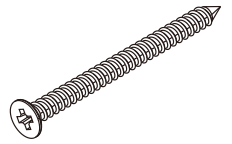
M4x16mm.  
**x 24**



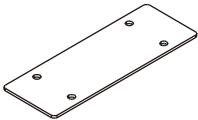
**x 12**



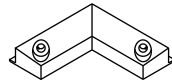
**x 4**



M4x50mm.  
**x 26**



**x 2**



**x 2**



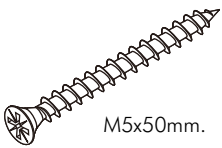
M3.5x20mm.  
**x 4**



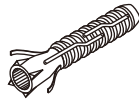
**x 13**



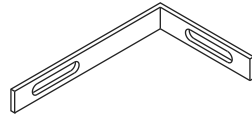
**x 1**



M5x50mm.  
**x 2**

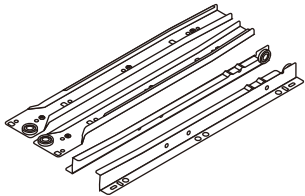


**x 2**



**x 2**

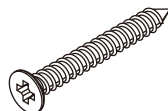
## -DRAWER SET



**x 2**



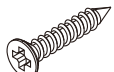
M3.5x13mm.  
**x 28**



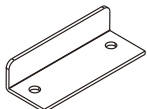
M4x40mm.  
**x 16**



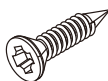
TFL4 M6x23  
**x 4**



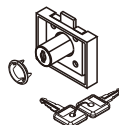
M3.5x20mm.  
**x 4**



**x 1**



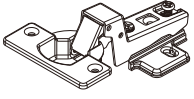
M4x1/2"  
**x 2**



**x 1**

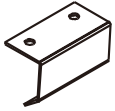
# HARDWARE

-DOOR SET

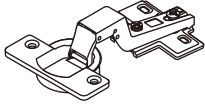


(HALF OVERLAY)

**x 3**



**x 2**



(INSERT MOUNTING)

**x 8**



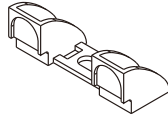
6x1/2"(BLACK)

**x 4**



M4x16mm.

**x 44**



**x 1**



**x 6**



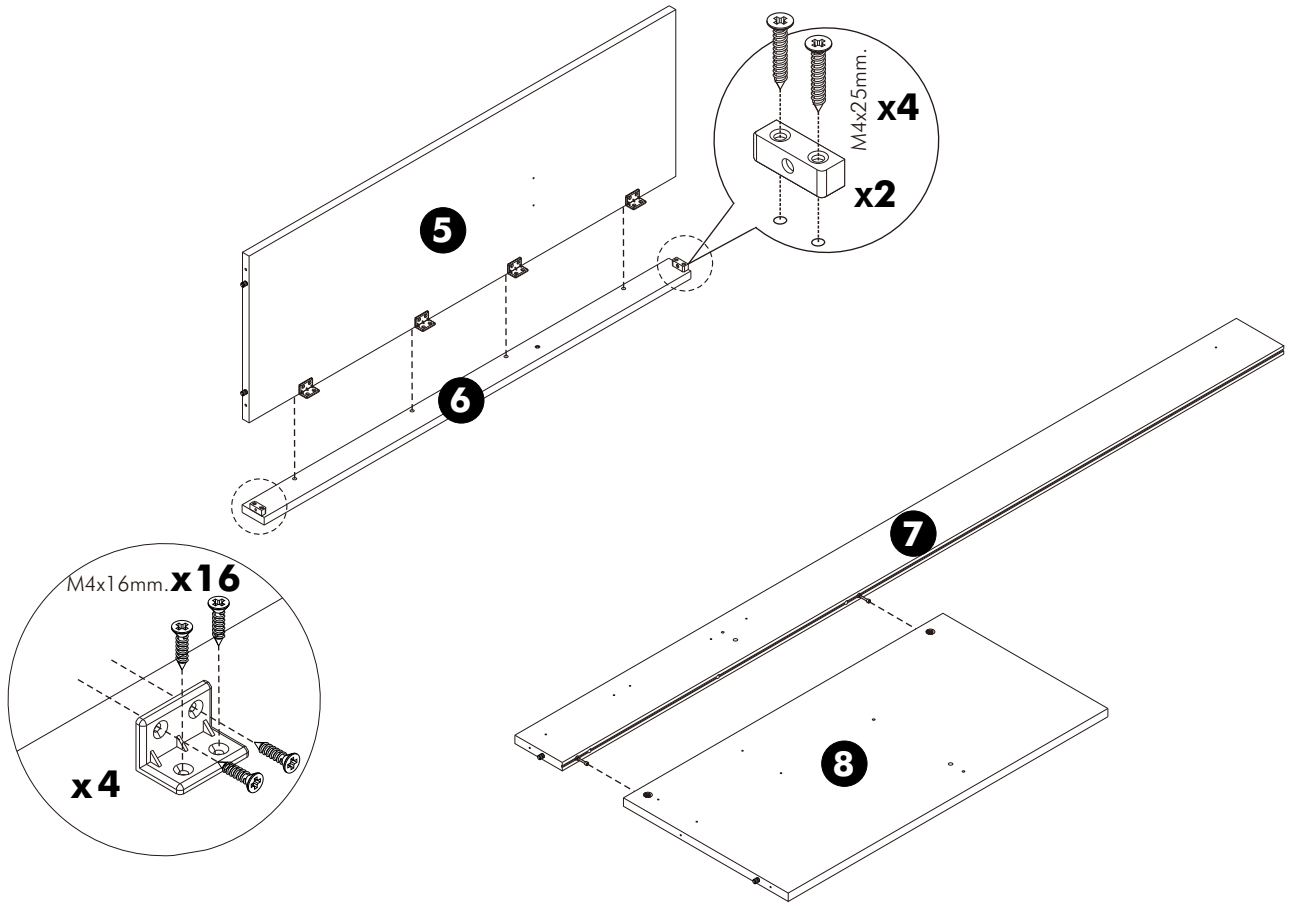
#M3.5x16

**x 2**

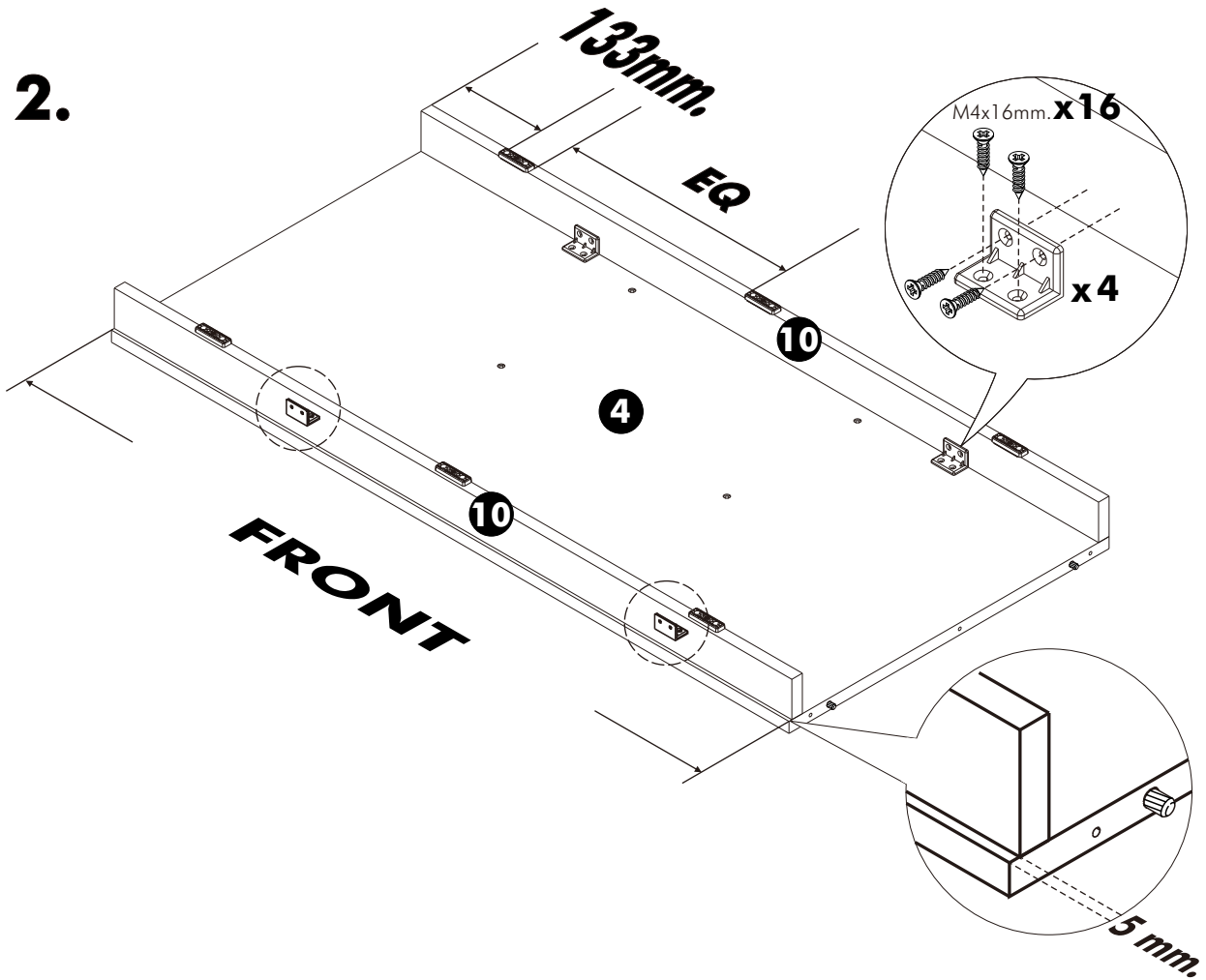
# ASSEMBLY

-BODY SET

## 1.

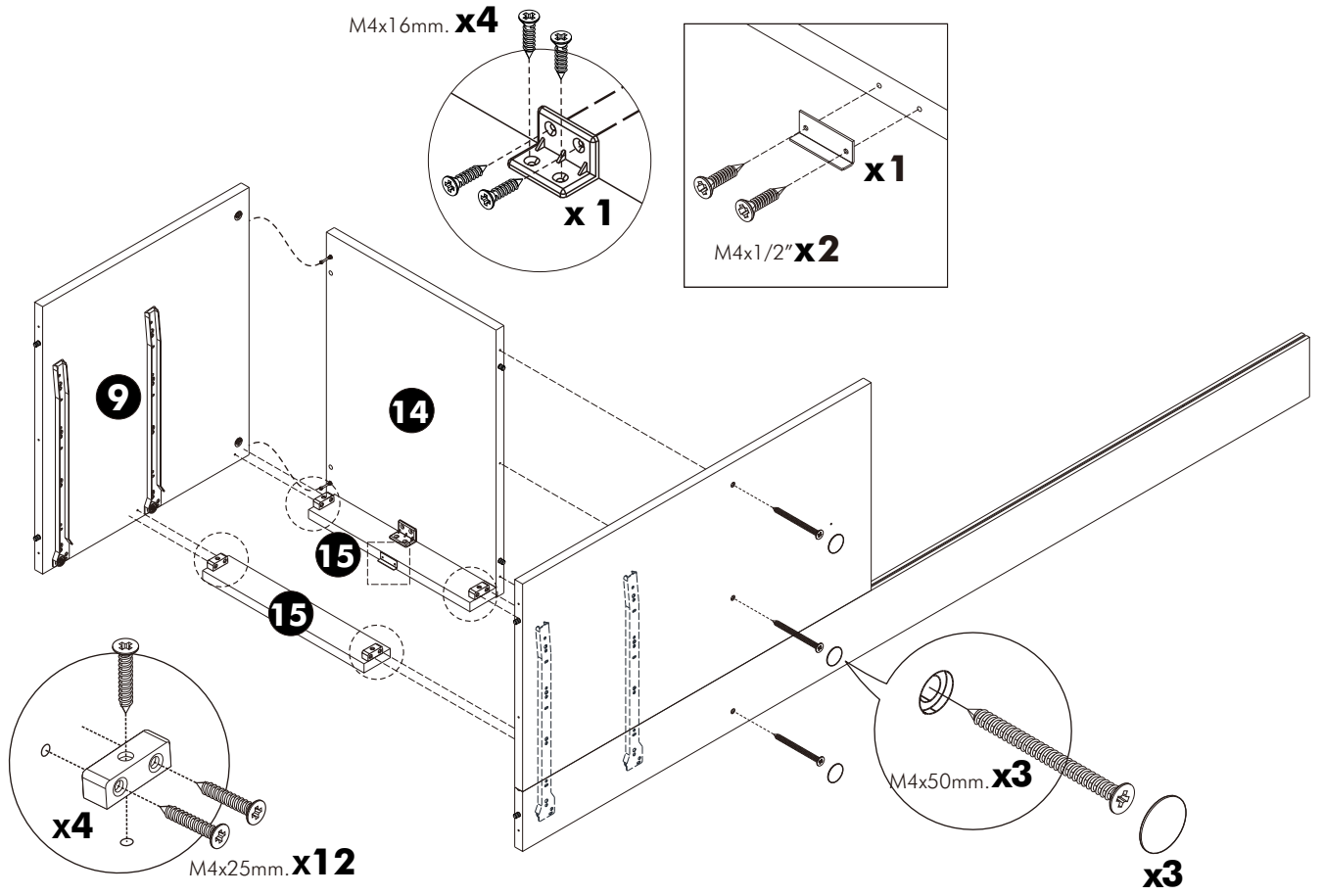


## 2.

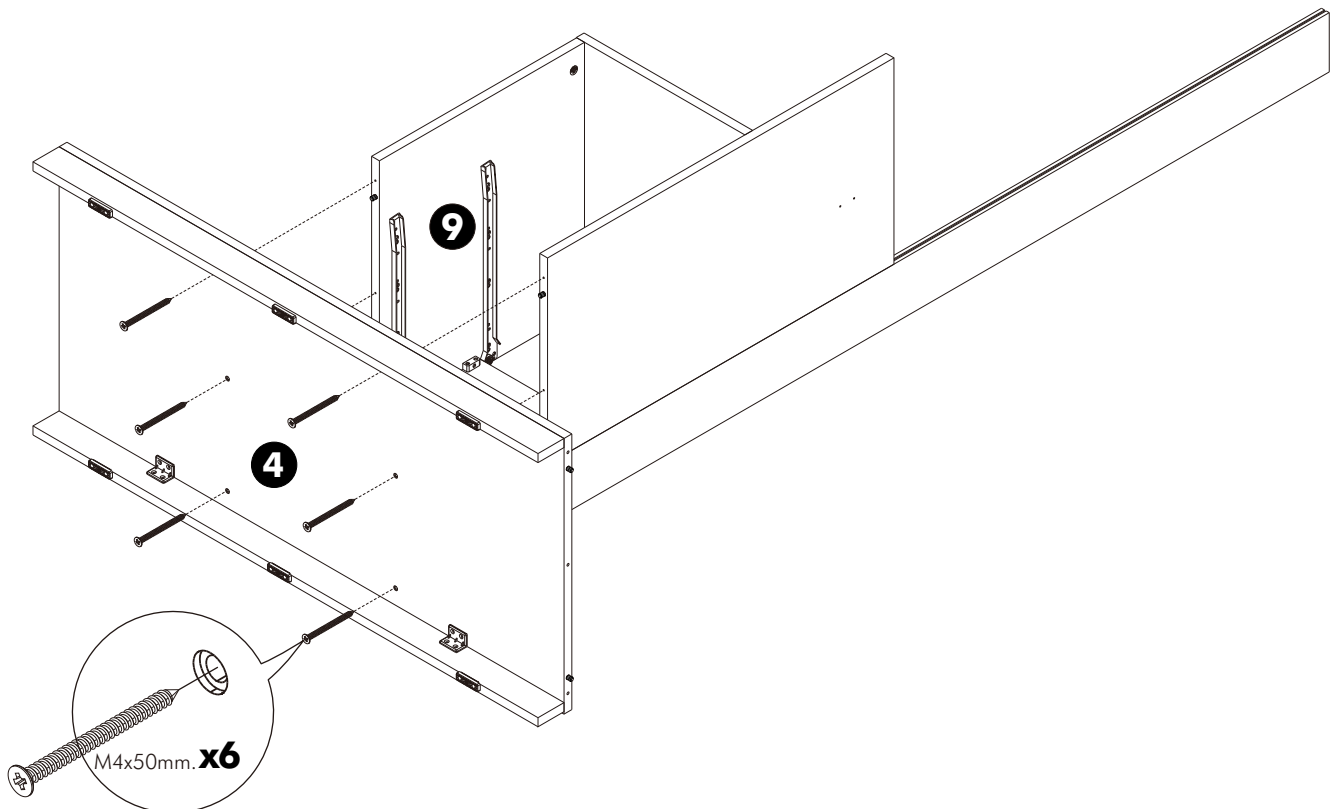




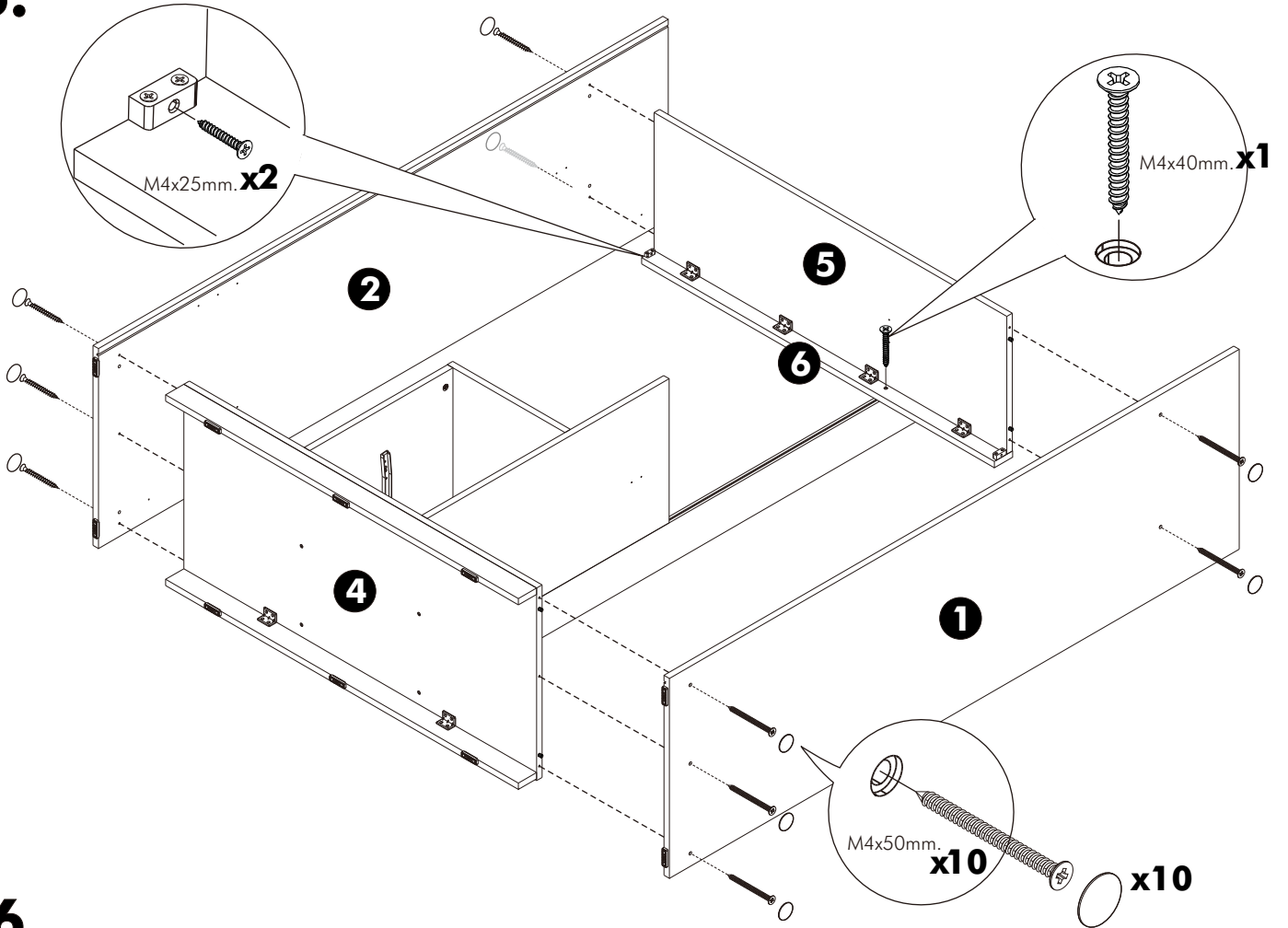
# 3.



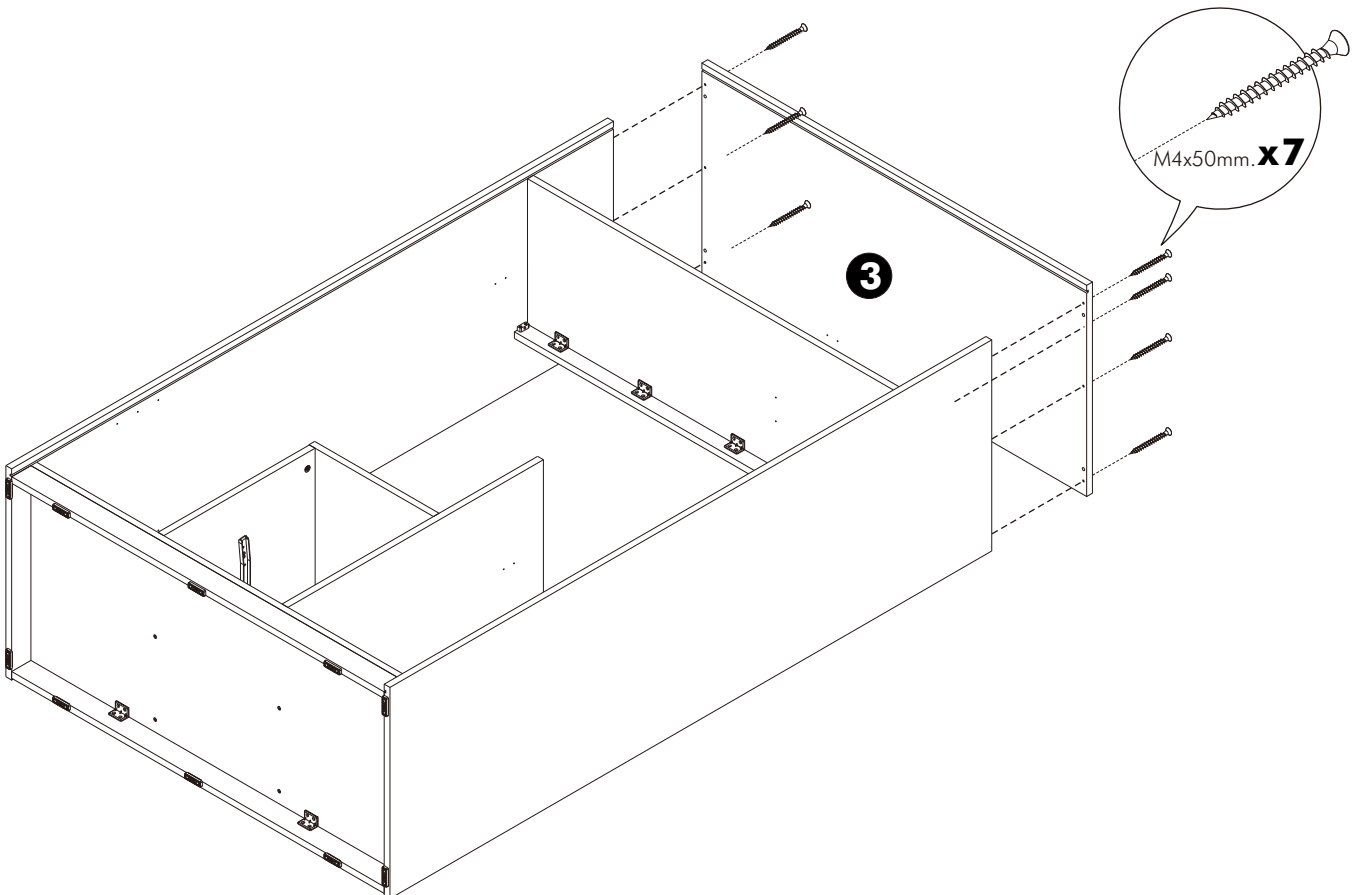
# 4.



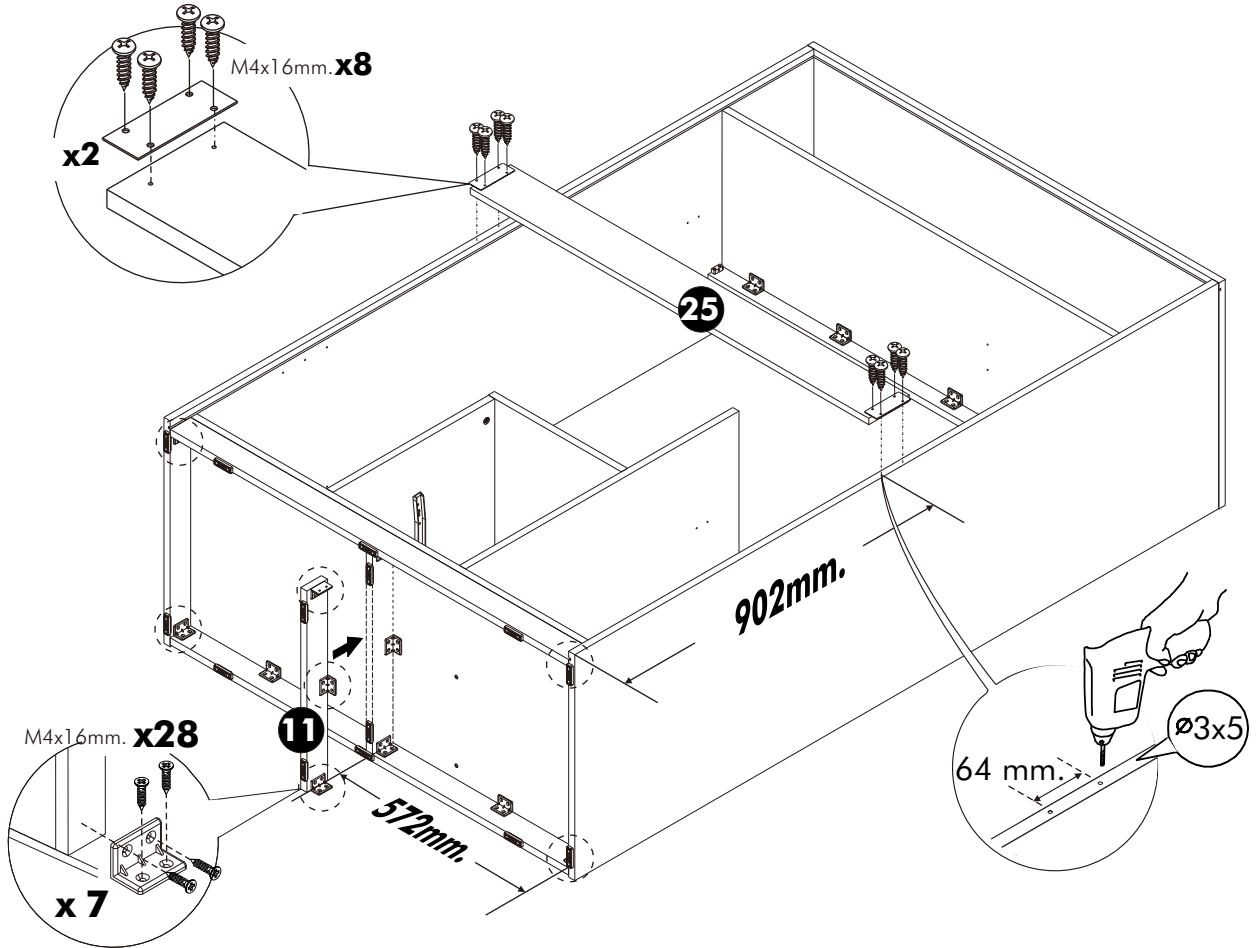
**5.**



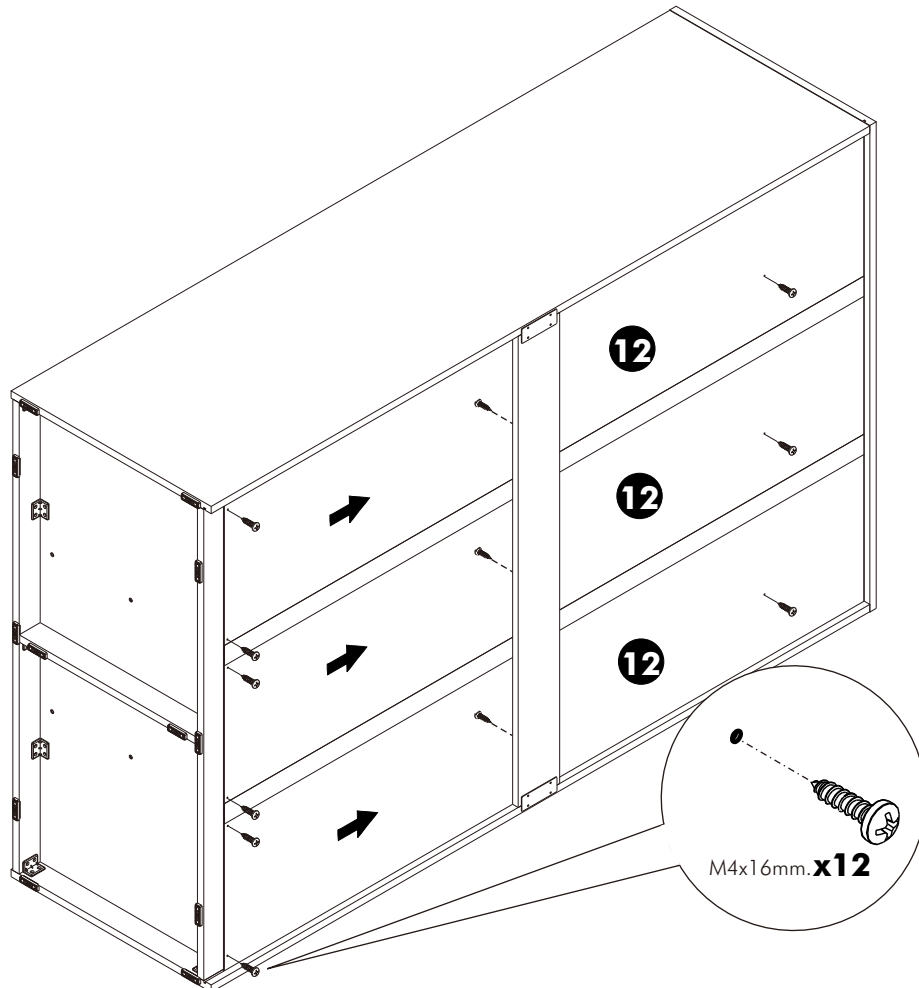
**6.**



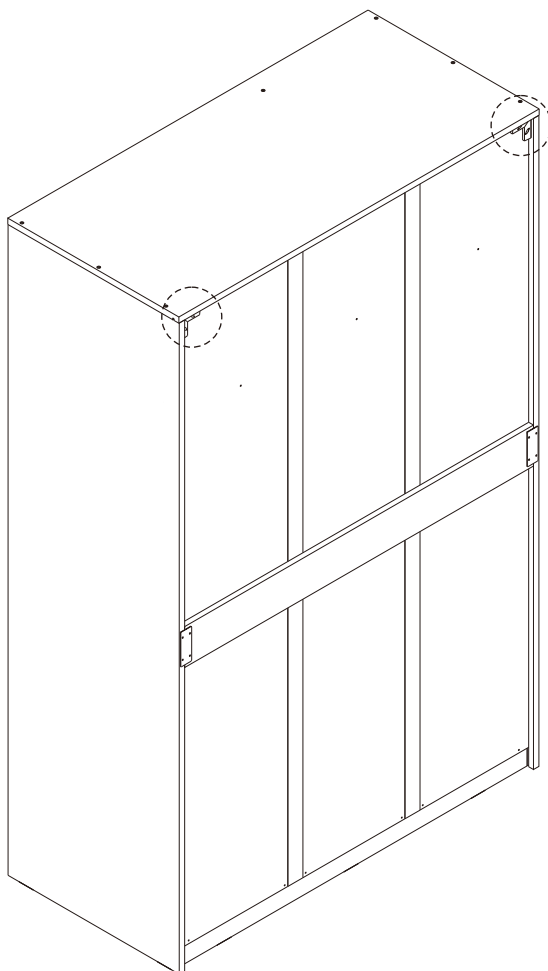
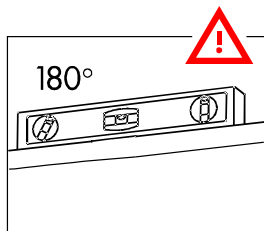
**7.**



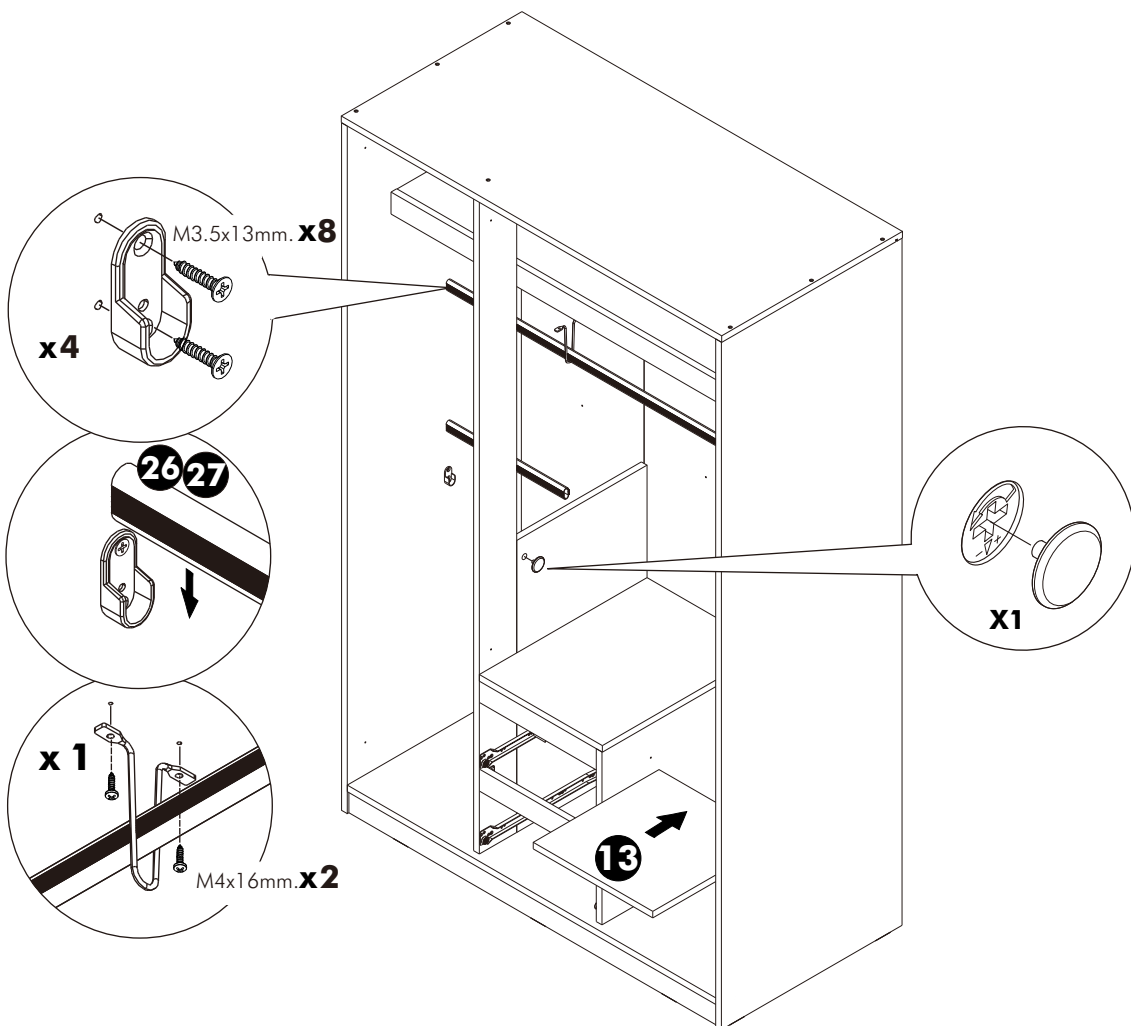
**8.**



9.

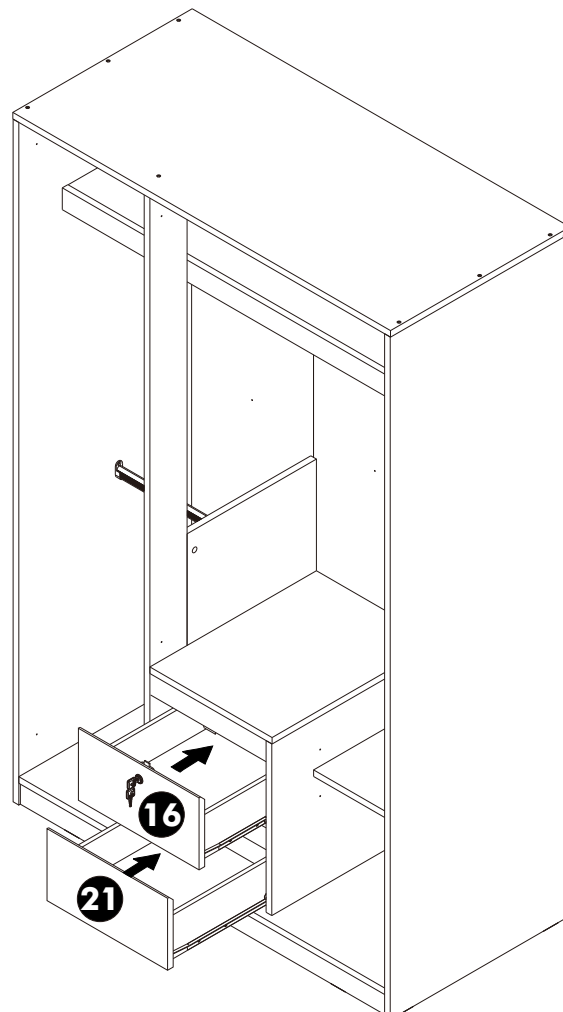
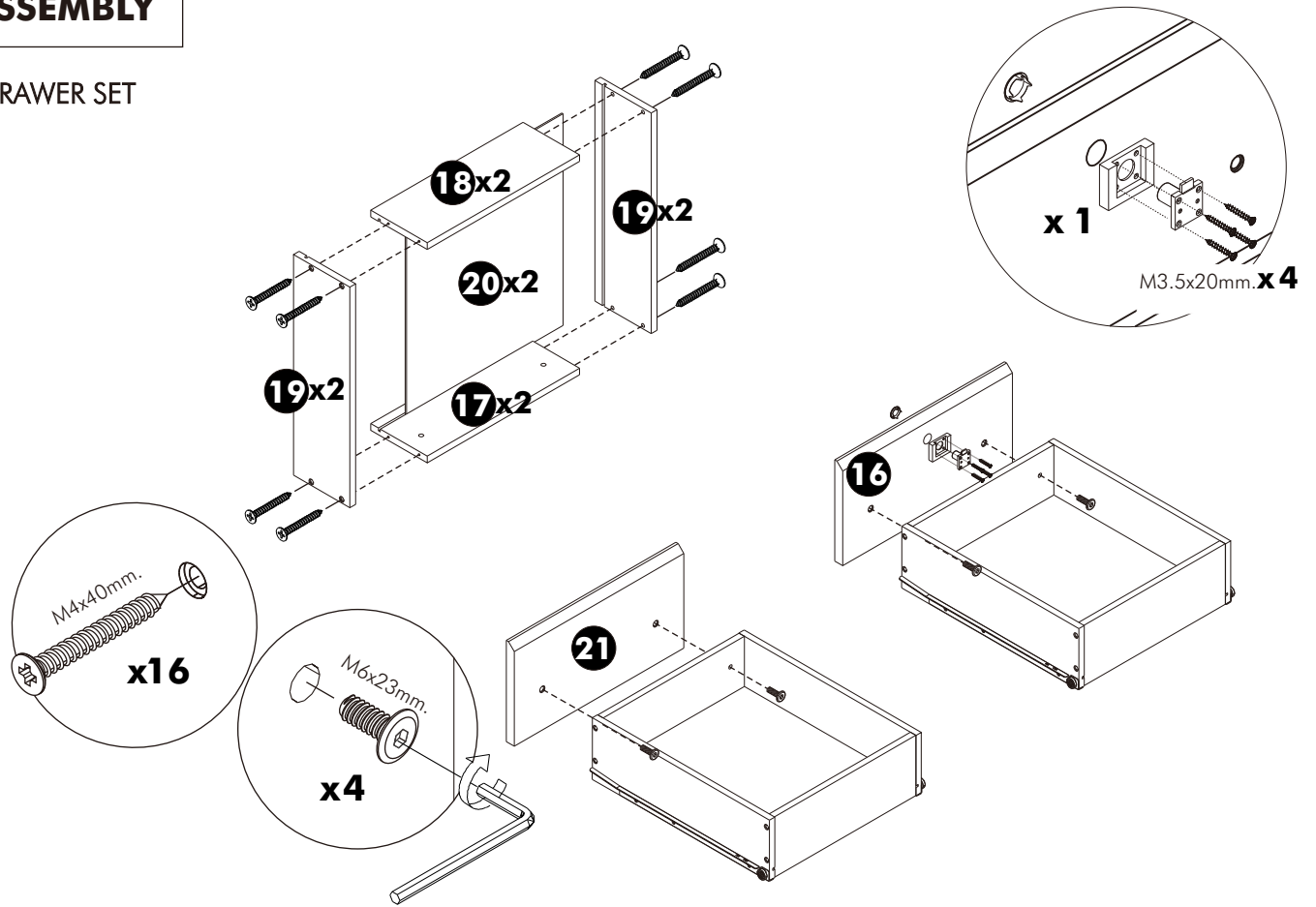


10.



# ASSEMBLY

-DRAWER SET



# ASSEMBLY

-DOOR SET

