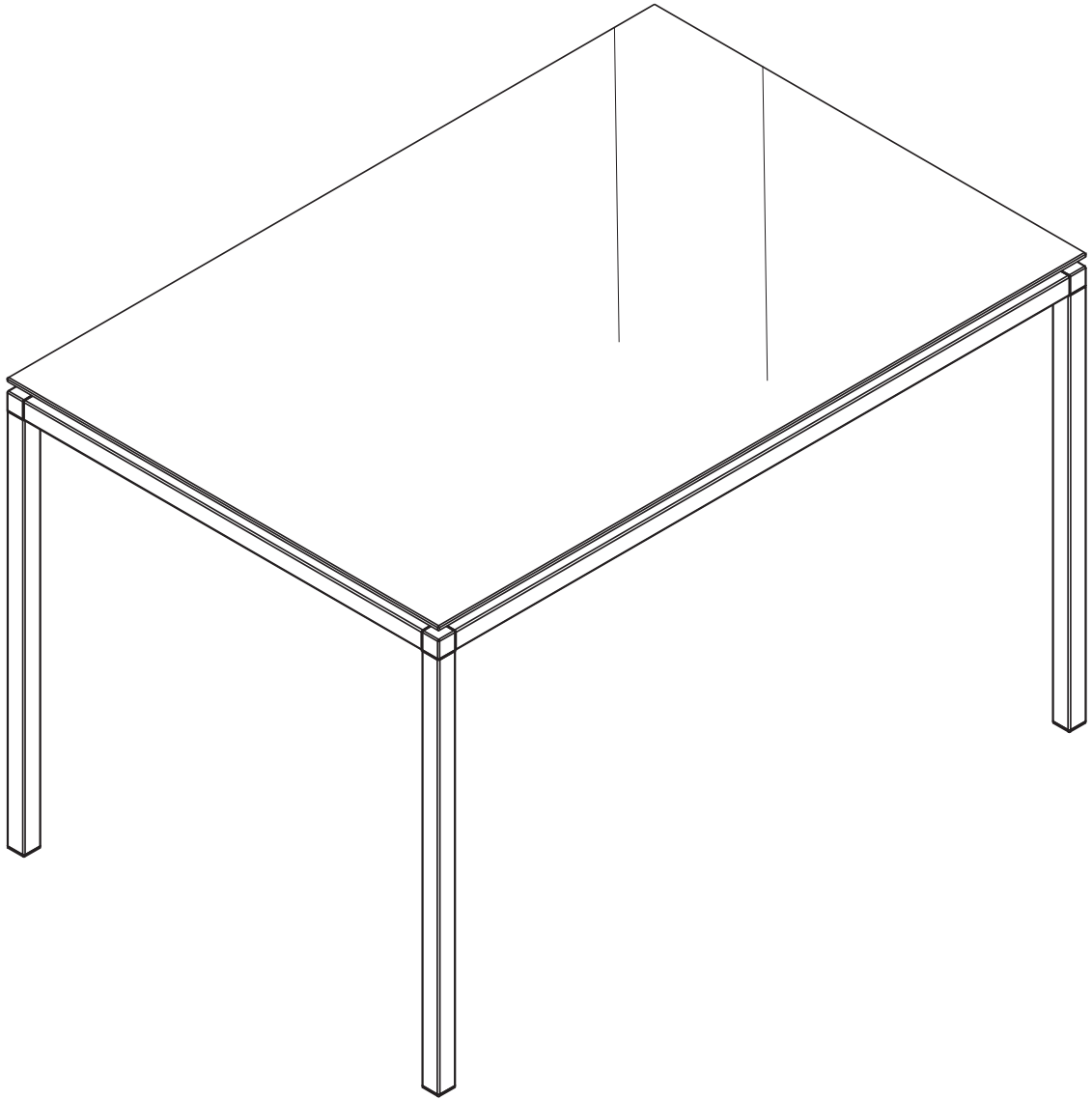


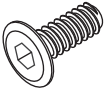
# DANAIL/P

**Dining Table /120**



# HARDWARE

## -BODY SET



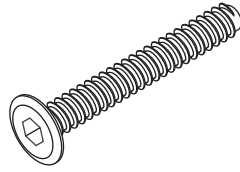
M6x15mm.

**x 8**



M6

**x 8**

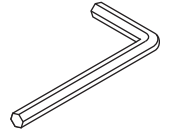


M8x45mm.

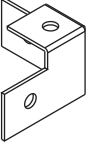
**x 8**



**x 4**



**x 1**



**x 4**

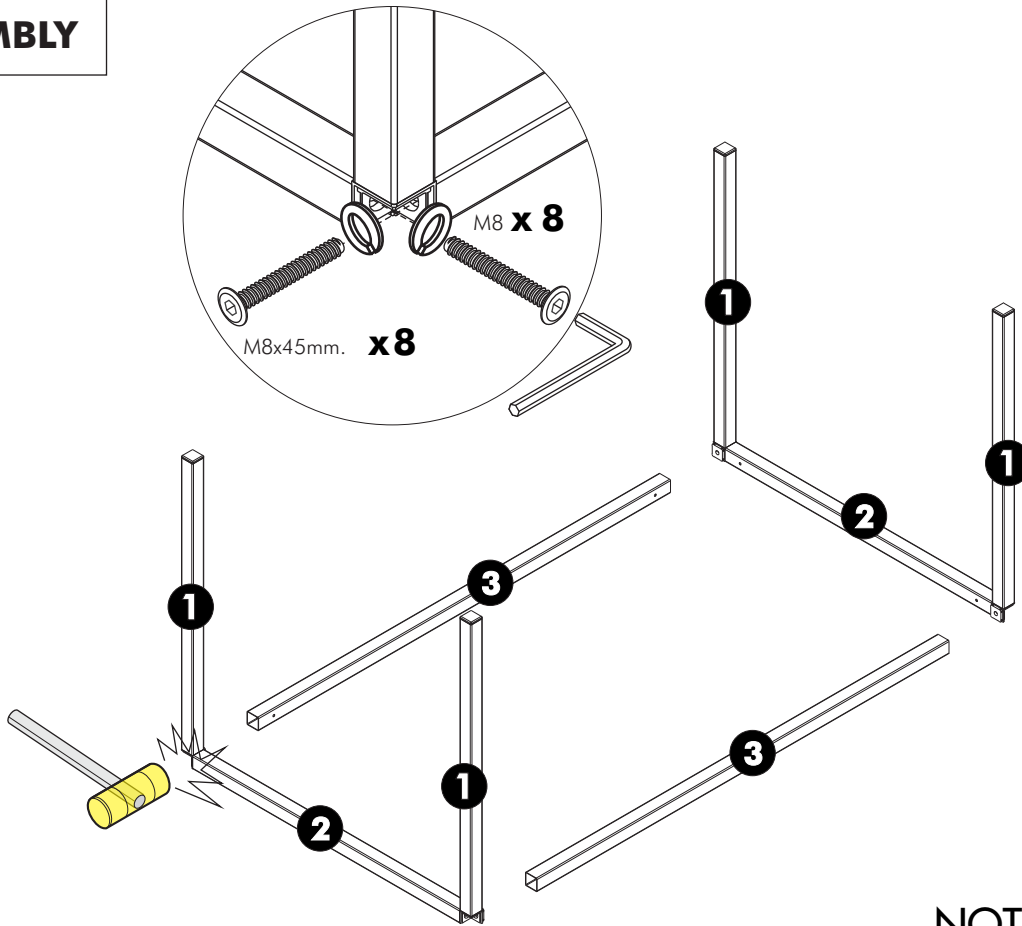


M8

**x 8**

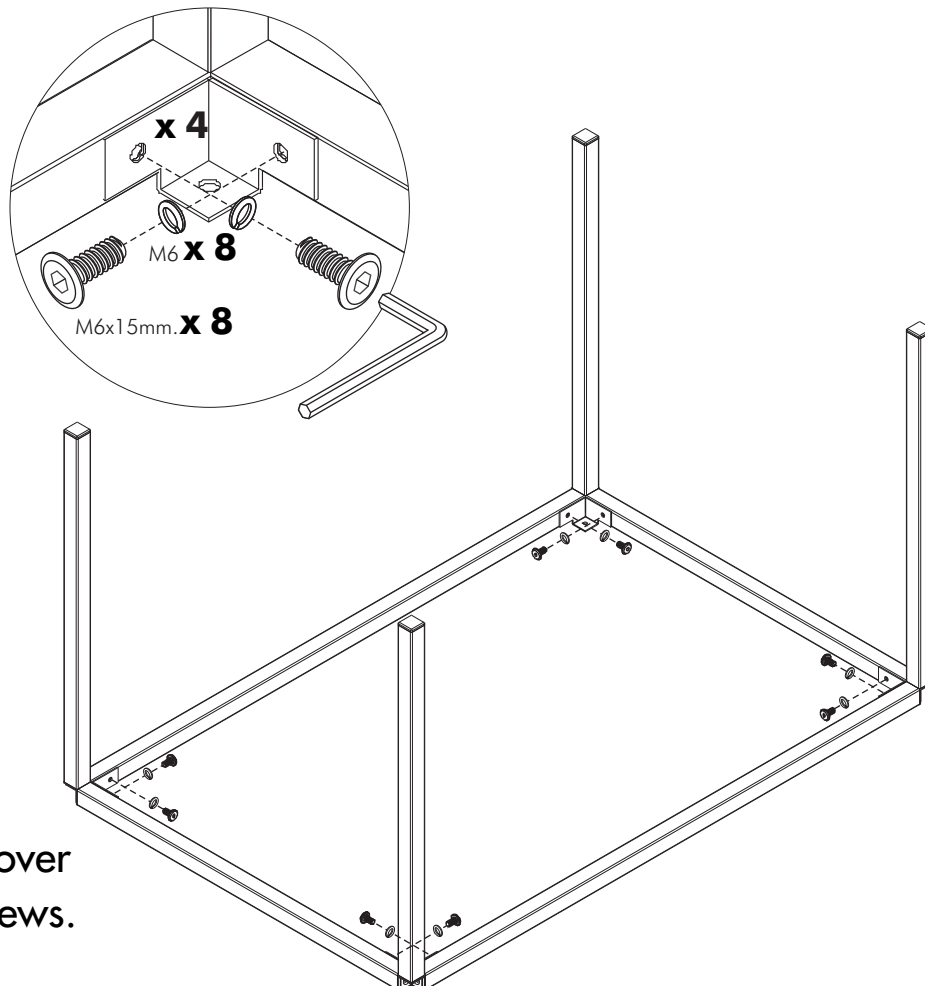
**ASSEMBLY**

**1.**



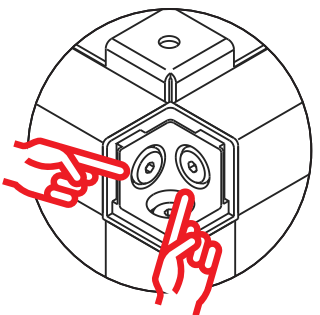
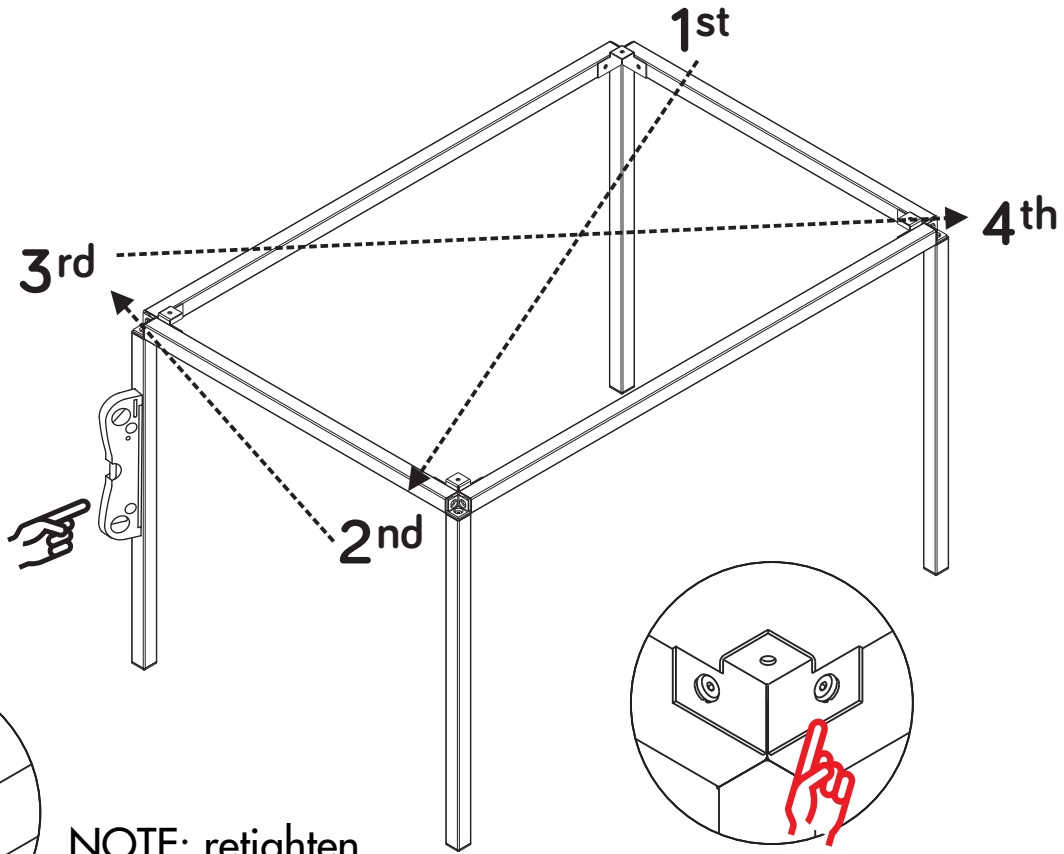
NOTE: Do not over tighten cam screws.

**2.**

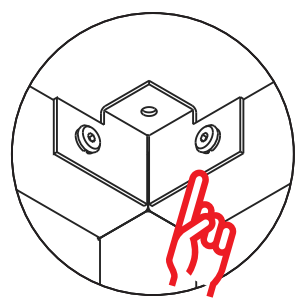


NOTE: Do not over tighten cam screws.

3.



NOTE: retighten screw. M8x45mm.(Step.1)



NOTE: retighten screw. M6x15mm.(Step.2)

4.

