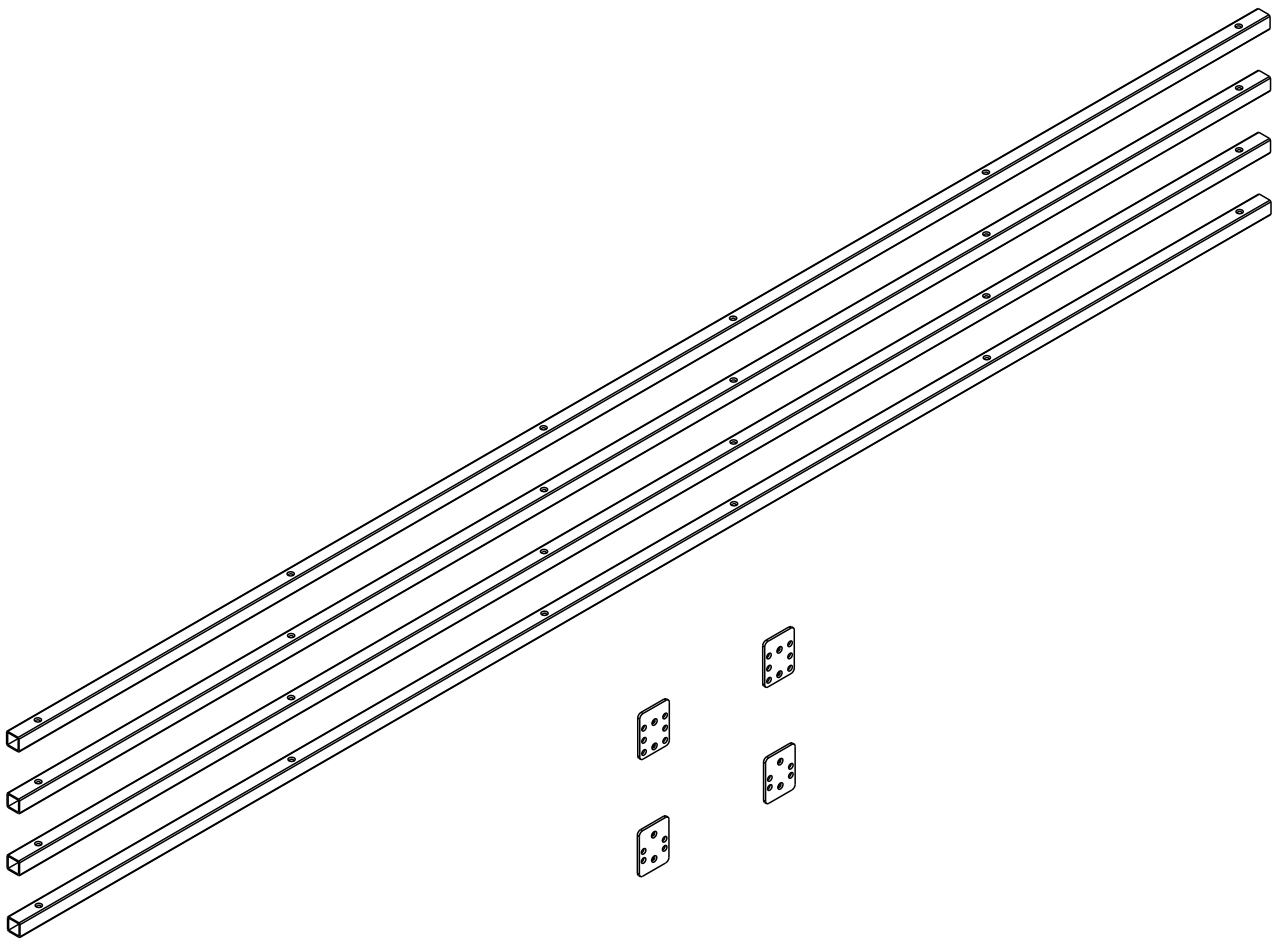


# CLAYTON

Steel pipe

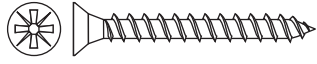


# HARDWARE



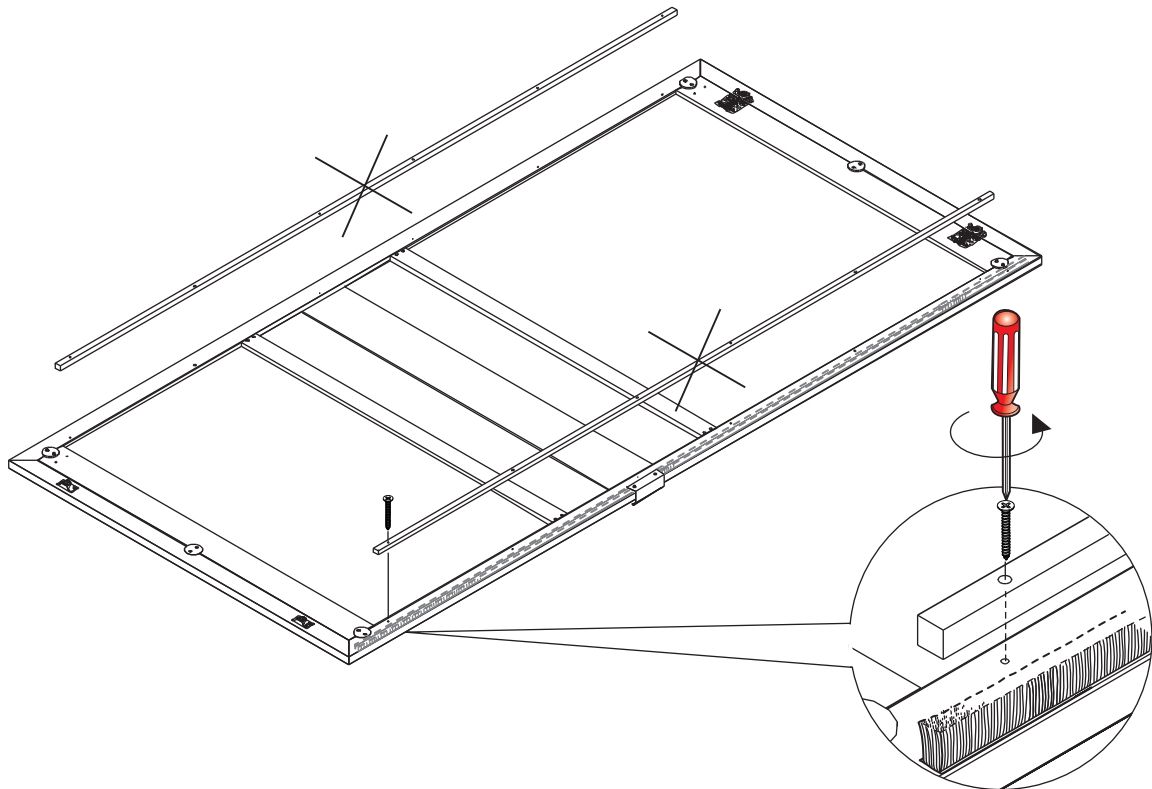
M4x16mm.

**x 8**



F+7x1 1/4"

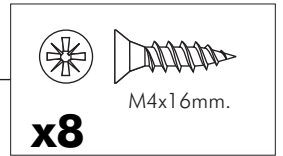
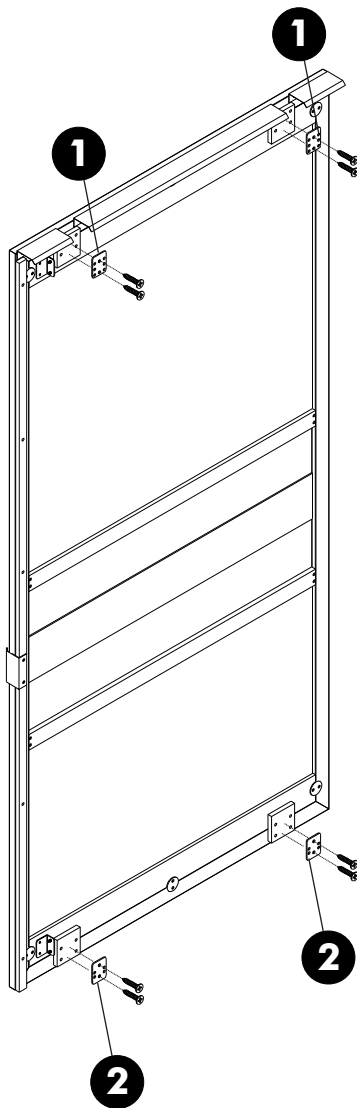
**x 24**



# ASSEMBLY

-DOOR SET

## 1.



## 2.

