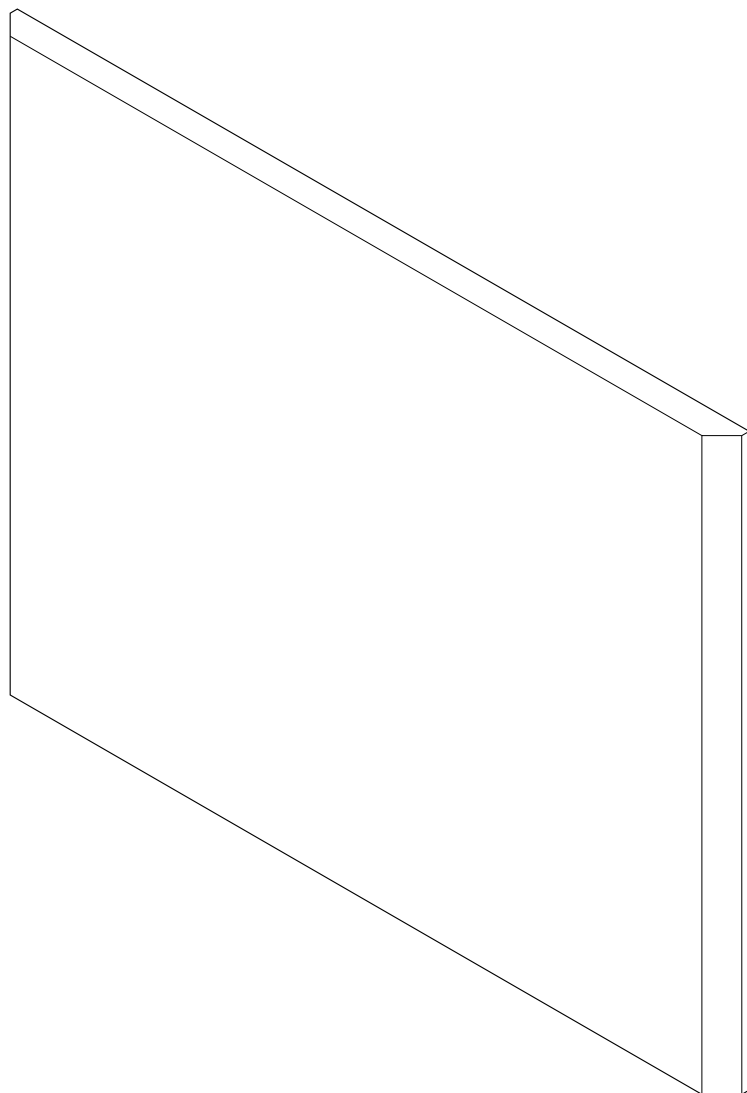
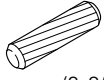


ITAL-SMART

Corner top filler H40

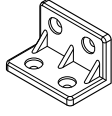


HARDWARE



(8x35)

x 2

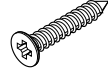


x 2



M4x16mm.

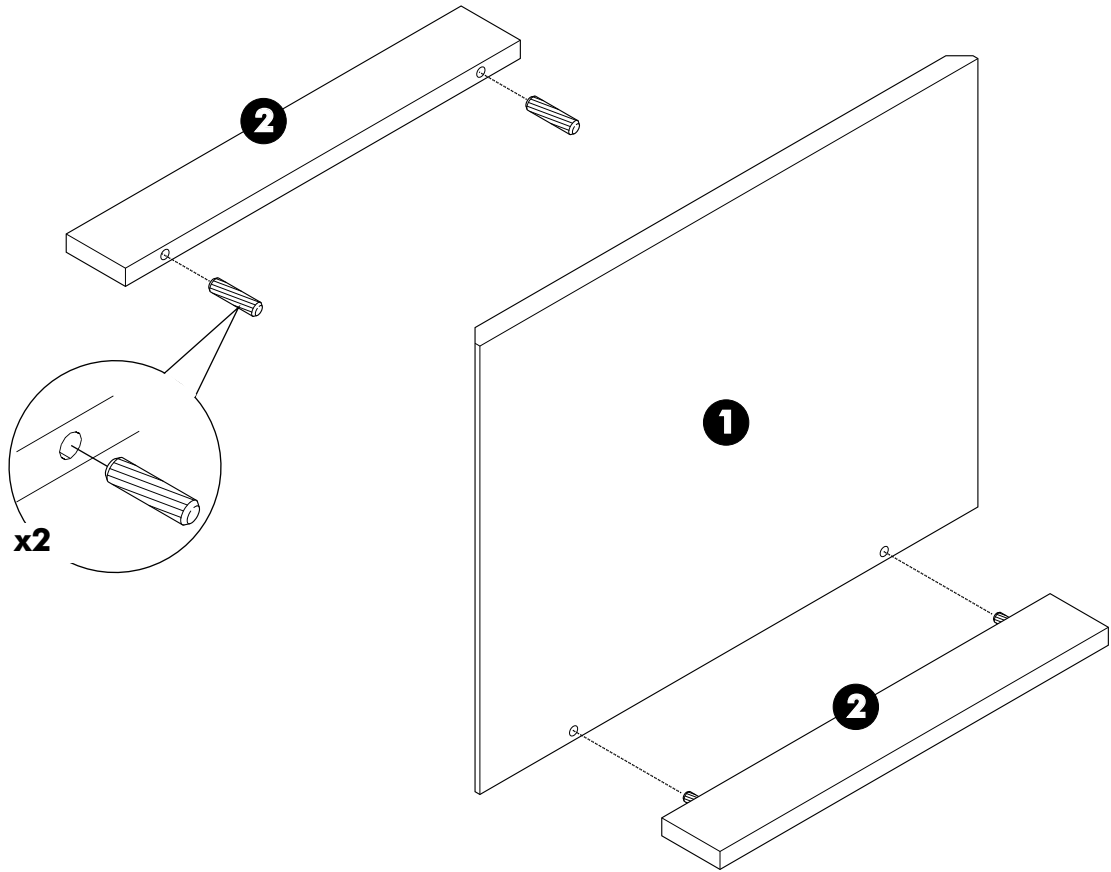
x 8



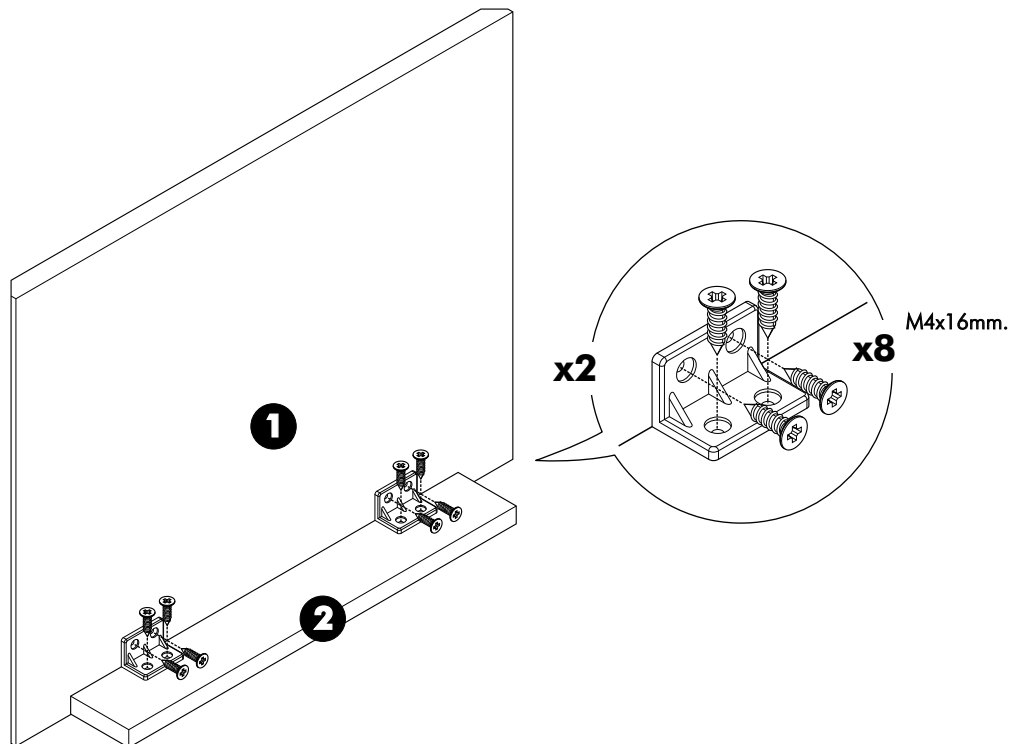
M4x25mm.

x 2

1.



2.



3.

