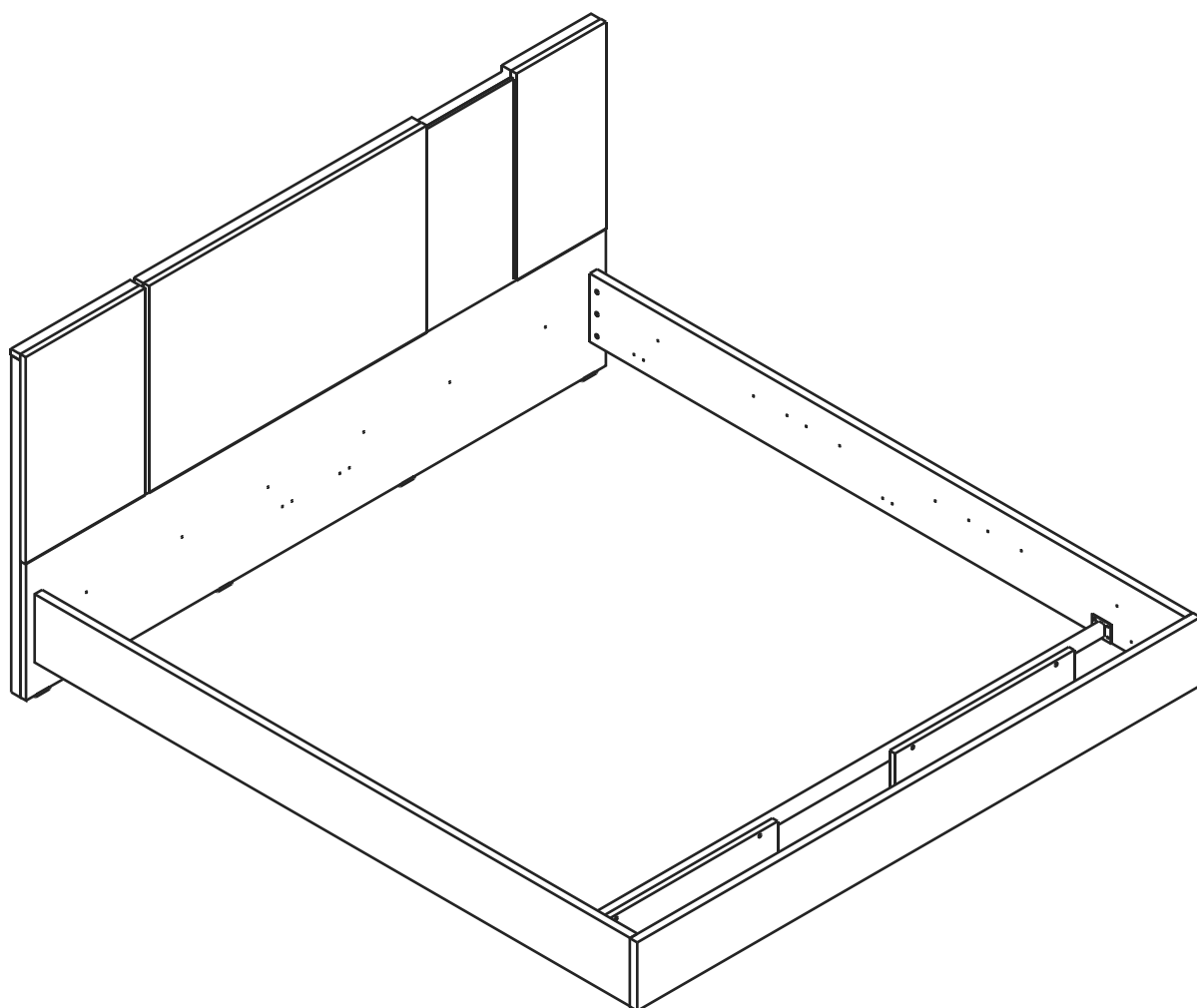


ALTO-P

Bed 5 ft.

Bed 6 ft.



CONNECT SYSTEM

1

2

(Connecting bolts)

3

WHEN FITTING CAMS
 ENSURE STARTING POSITION IS CORRECT
 BEFORE YOU INSERT CONNECTING BOLT
 TURN CLOCKWISE UNTIL SECURE

✓				✗
↑	CORRECT	WRONG		

1 Pc. EQ EQ ≤ 190mm.

40mm. 40mm. 2 Pcs. ≥ 191-850mm.

100mm. EQ EQ 100mm. 3 Pcs. > 850-2000mm.

100mm. EQ EQ EQ 100mm. 4 Pcs. > 2001mm.

OUT

IN

M4x16mm.

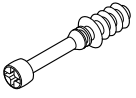
i

40mm.

EQ

HARDWARE

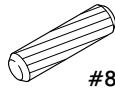
-BODY SET



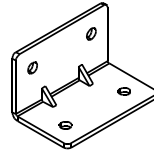
x 4



x 4



#8x35
x 4



x 2



No.1

x 3



M4x16mm.

x 19



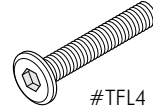
#M8

x 4



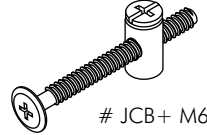
#M8

x 4



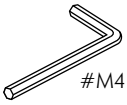
#TFL4 M8x50

x 4



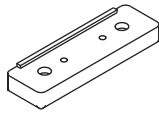
JCB+ M6x60

x 6



#M4

x 1



x 8



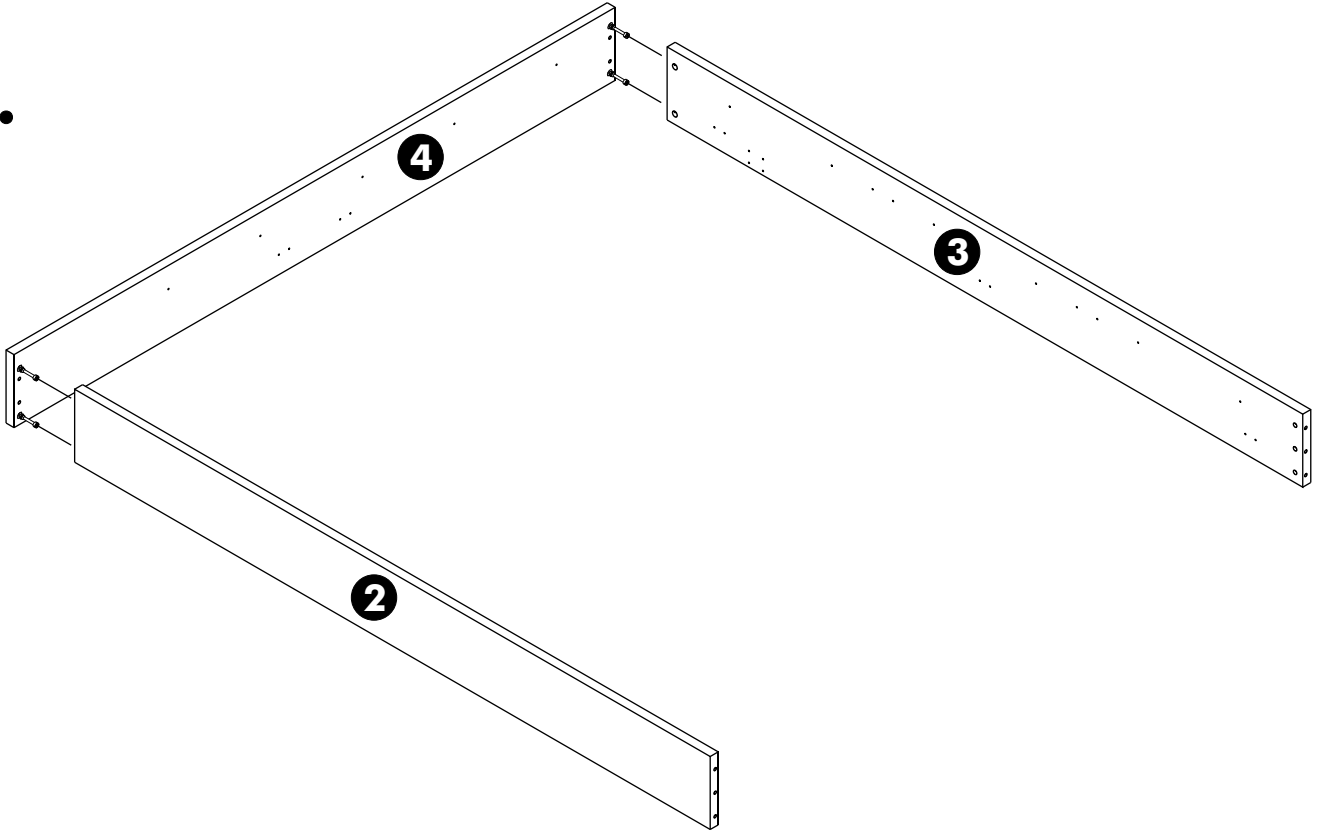
M4x16mm.

x 16

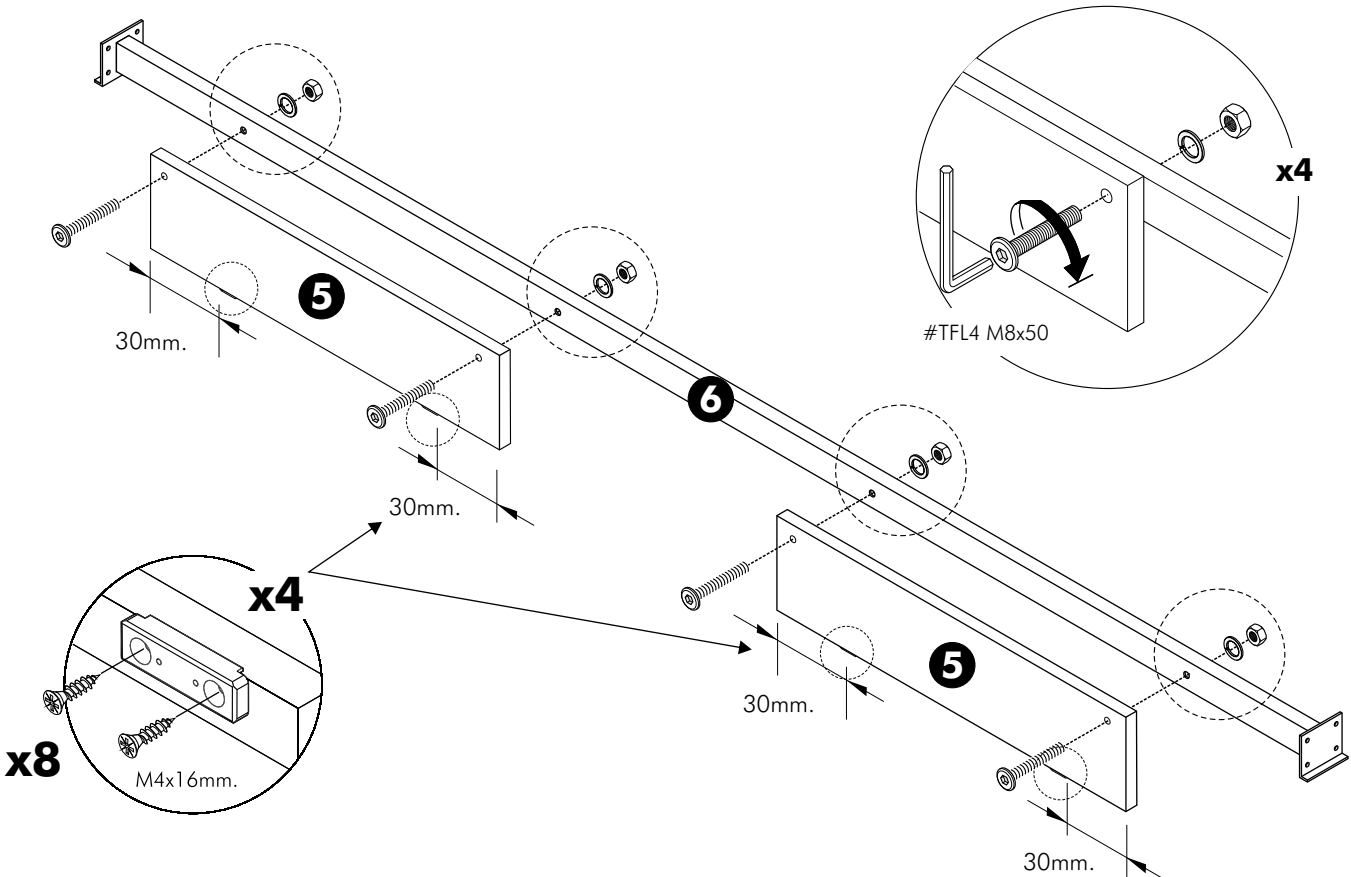
ASSEMBLY

-BODY SET

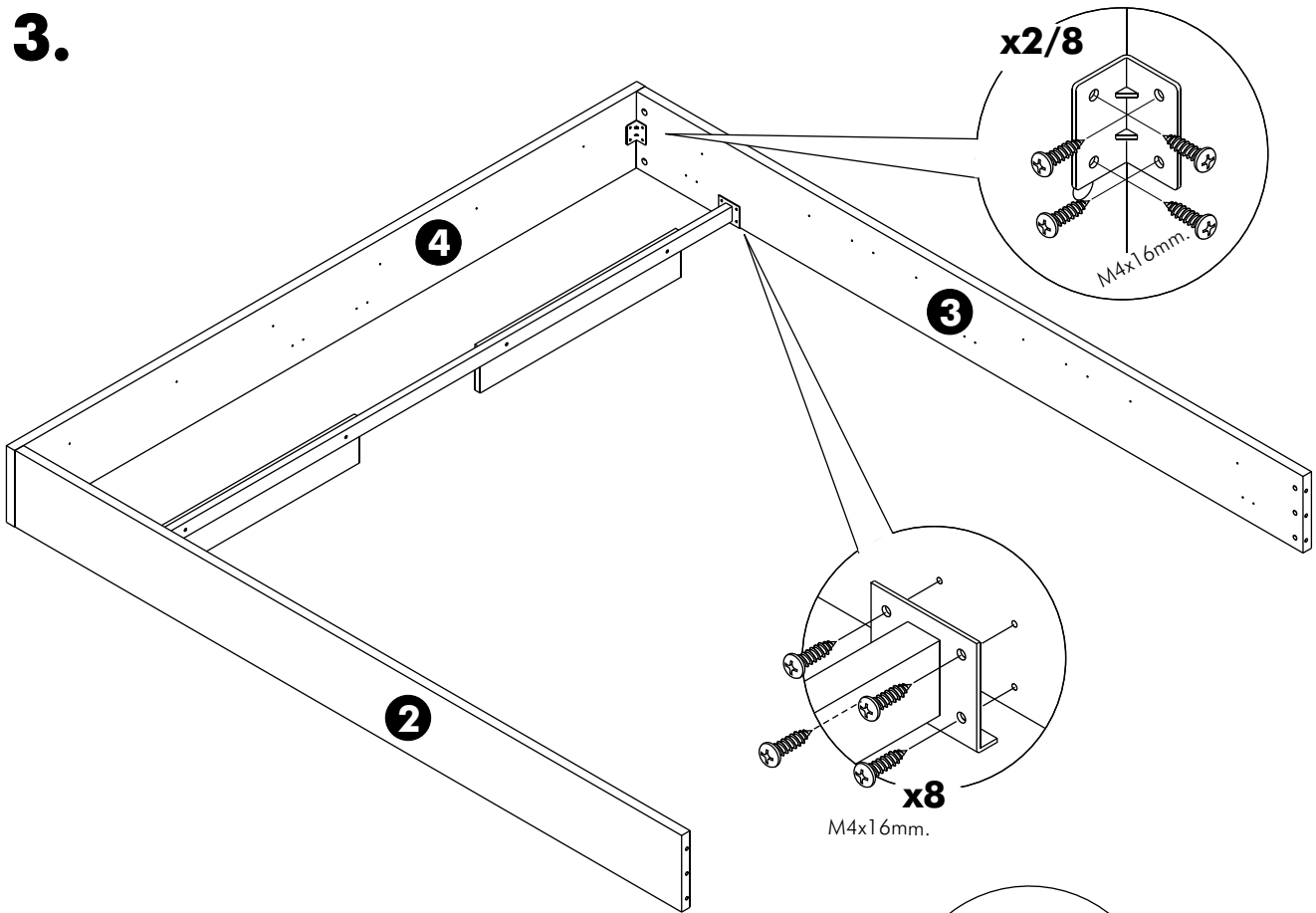
1.



2.



3.



4.

