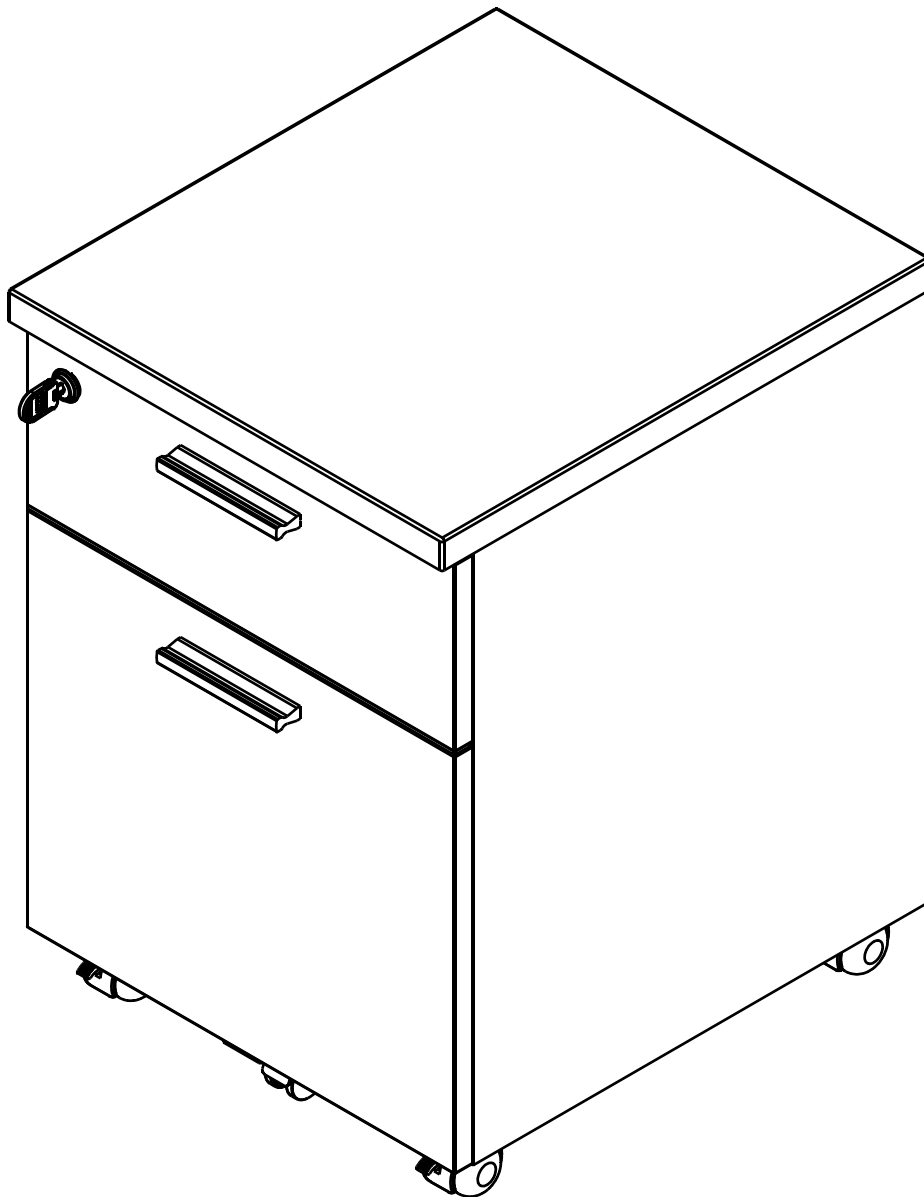


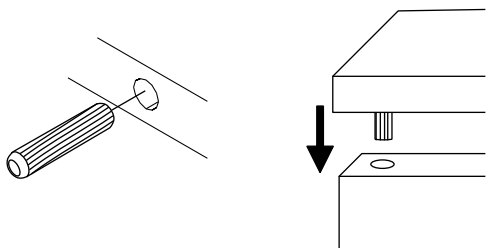
ACTIVA-P

Mobile Pedestal

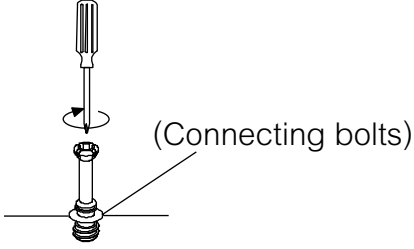


CONNECT SYSTEM

1

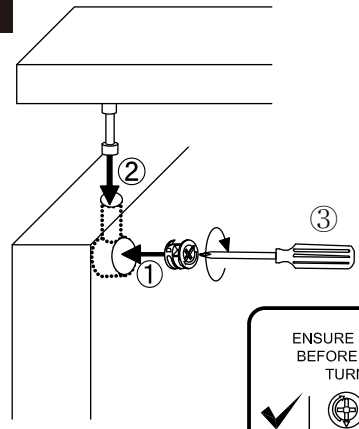


2





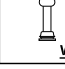



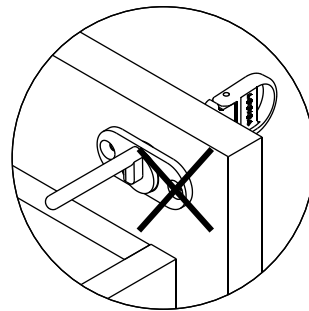
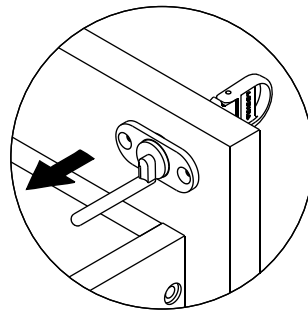
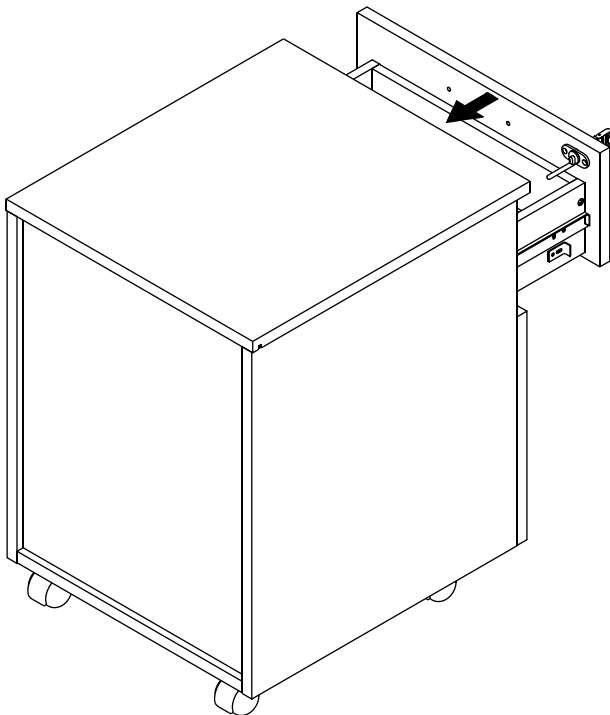
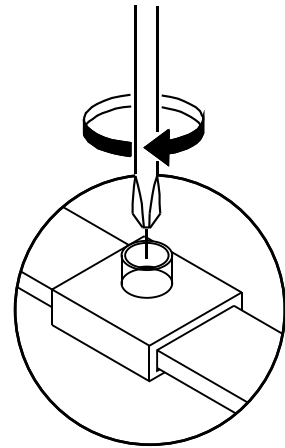
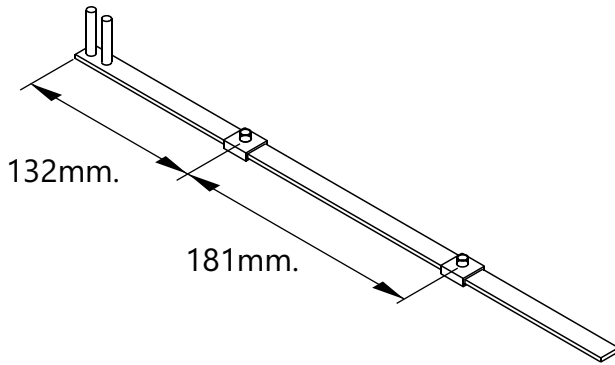
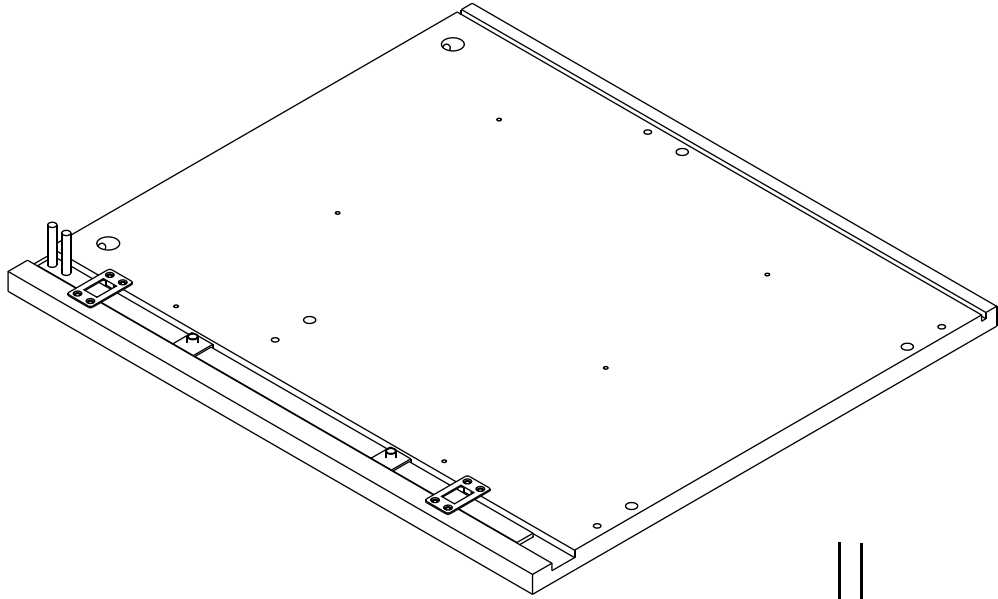
(Connecting bolts)

3



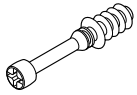
WHEN FITTING CAMS
ENSURE STARTING POSITION IS CORRECT
BEFORE YOU INSERT CONNECTING BOLT
TURN CLOCKWISE UNTIL SECURE

✓				✗
				
	CORRECT	WRONG		



HARDWARE

-BODY SET

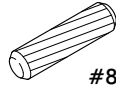


x 12



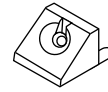
19mm.

x 12

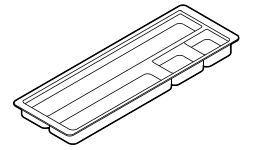


#8x35

x 12



x 6



x 1



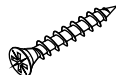
#6x1/2"

x 2



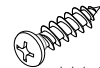
#5x1/2"

x 8



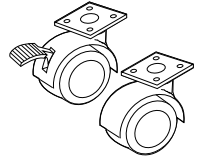
M4x20mm.

x 6

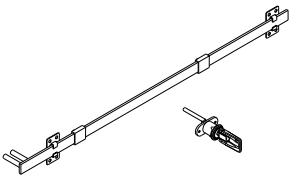


M4x16mm.

x 16

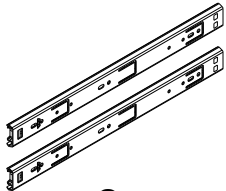


x 2/2



x 1

-DRAWER SET

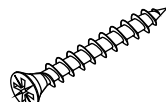


x 2



M3.5x12mm.

x 24



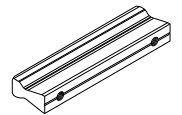
M4x40mm.

x 20

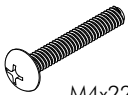


M6x23mm.

x 6

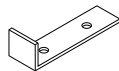


x 2



M4x22mm.

x 4



x 2

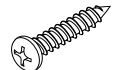


x 1



#5x1/2"

x 4



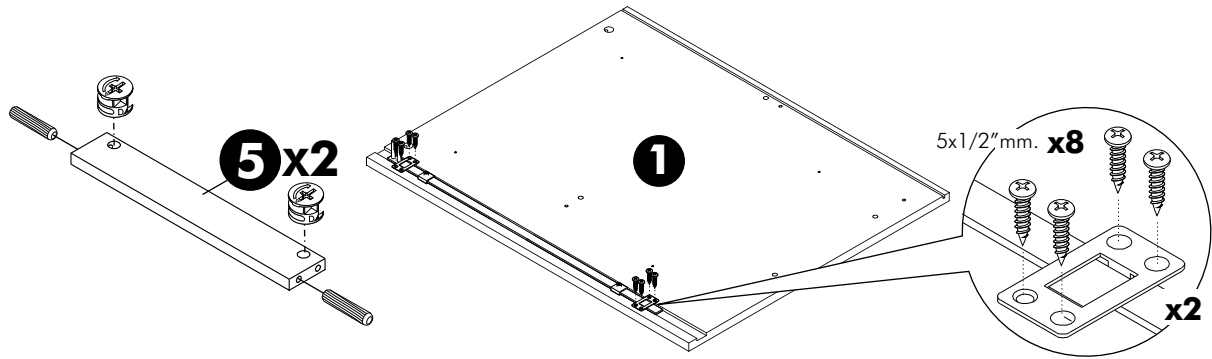
#5x5/8"

x 2

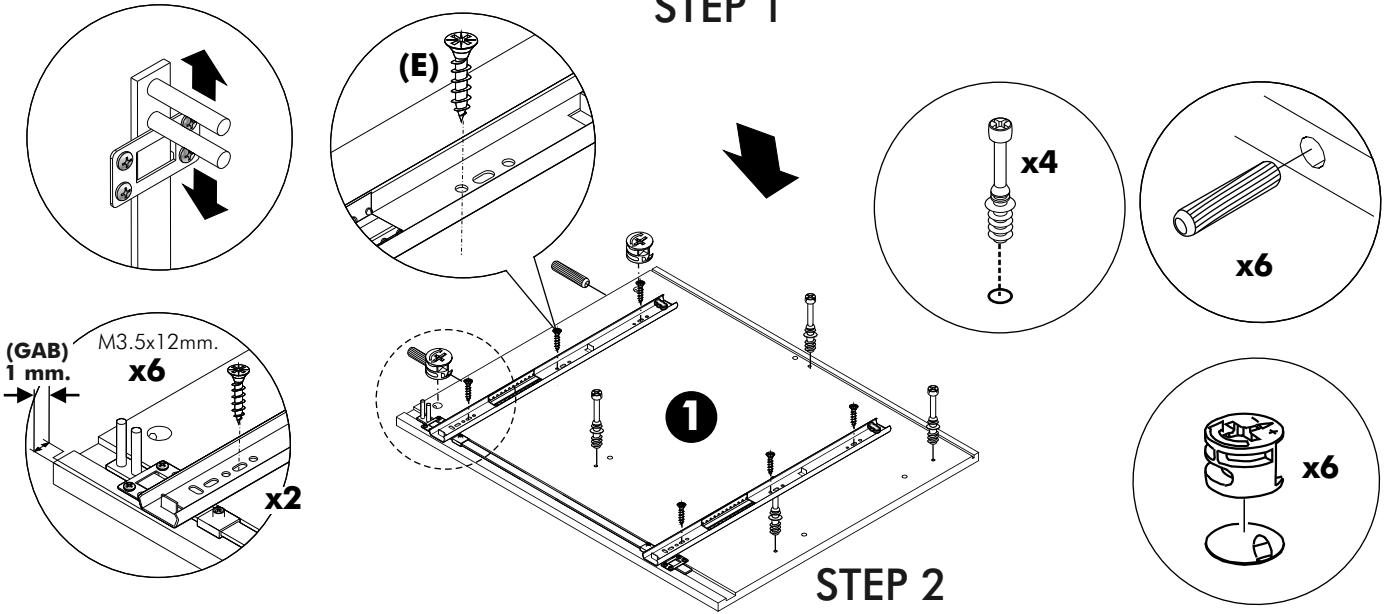


x 1

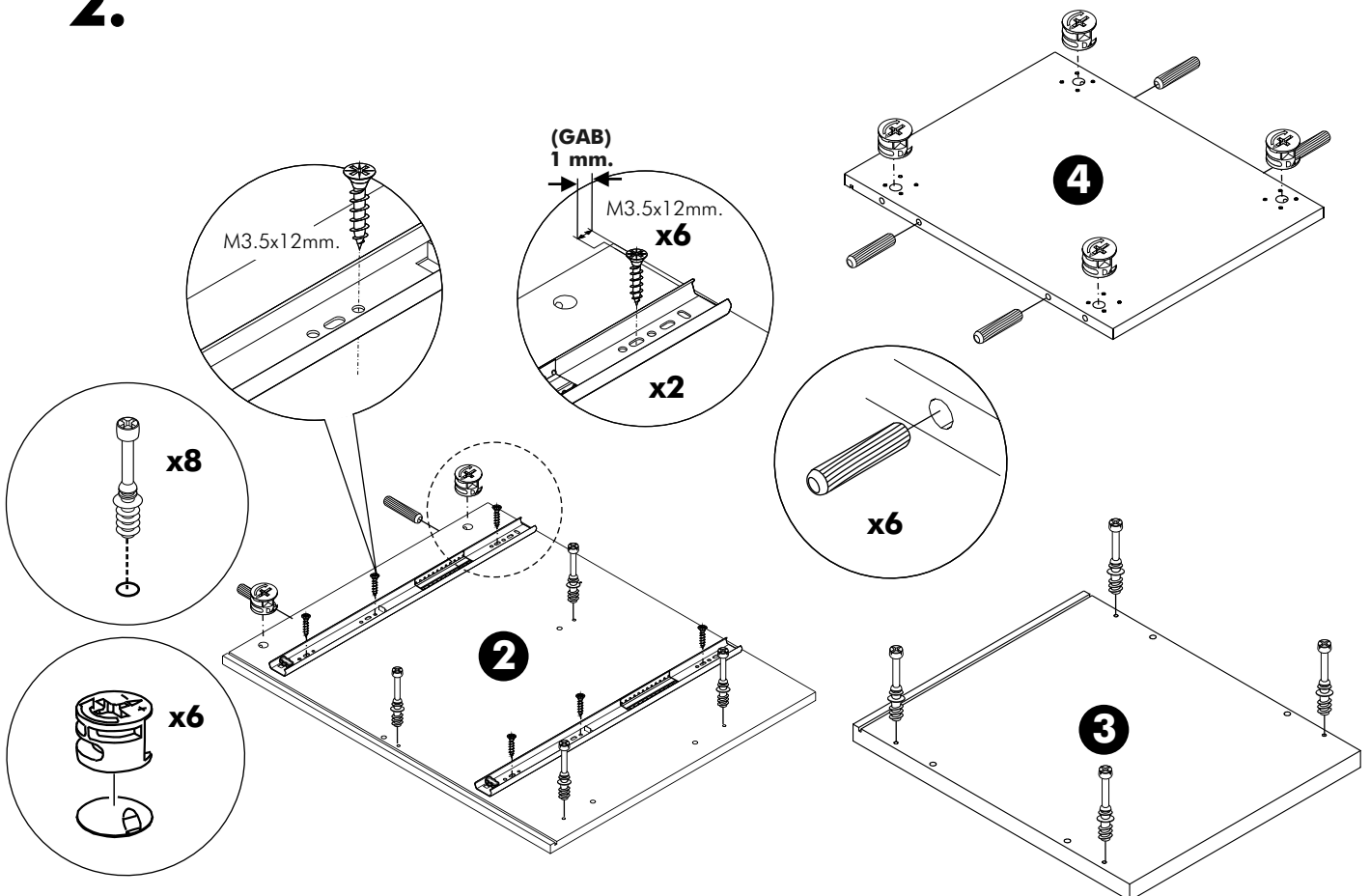
1.



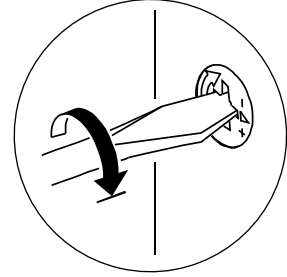
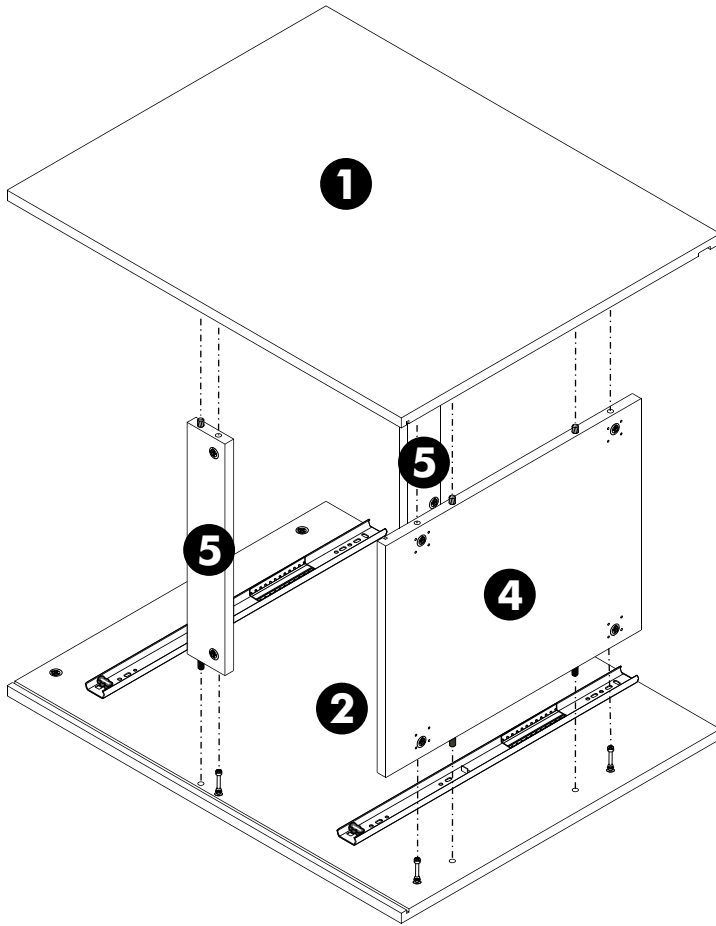
STEP 1



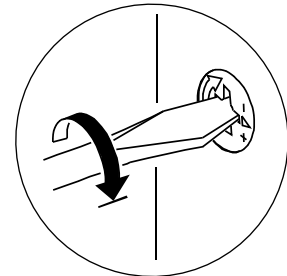
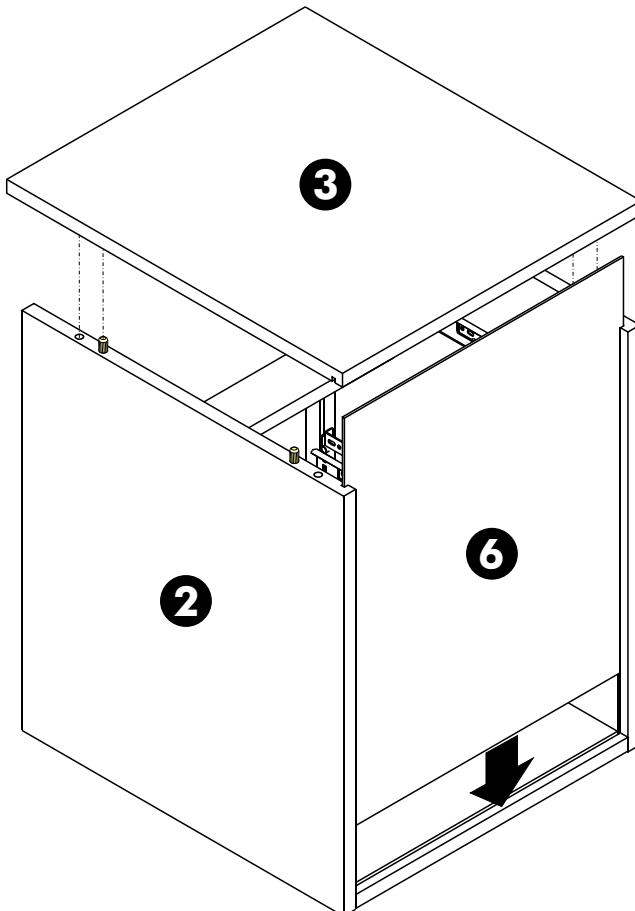
2.



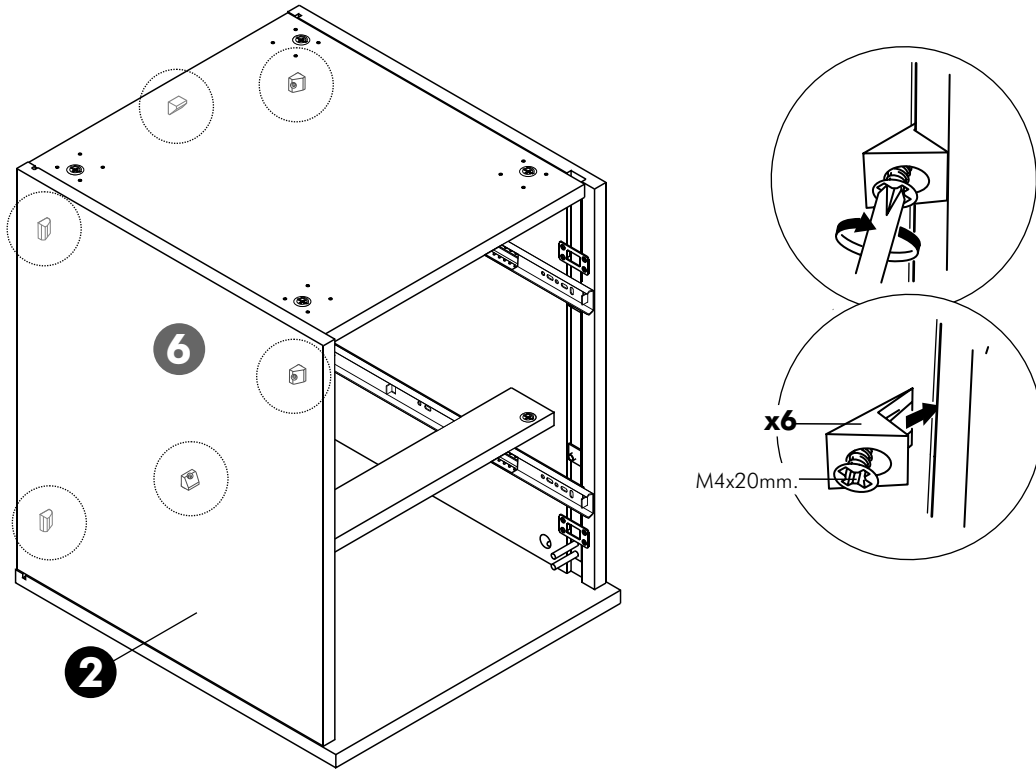
3.



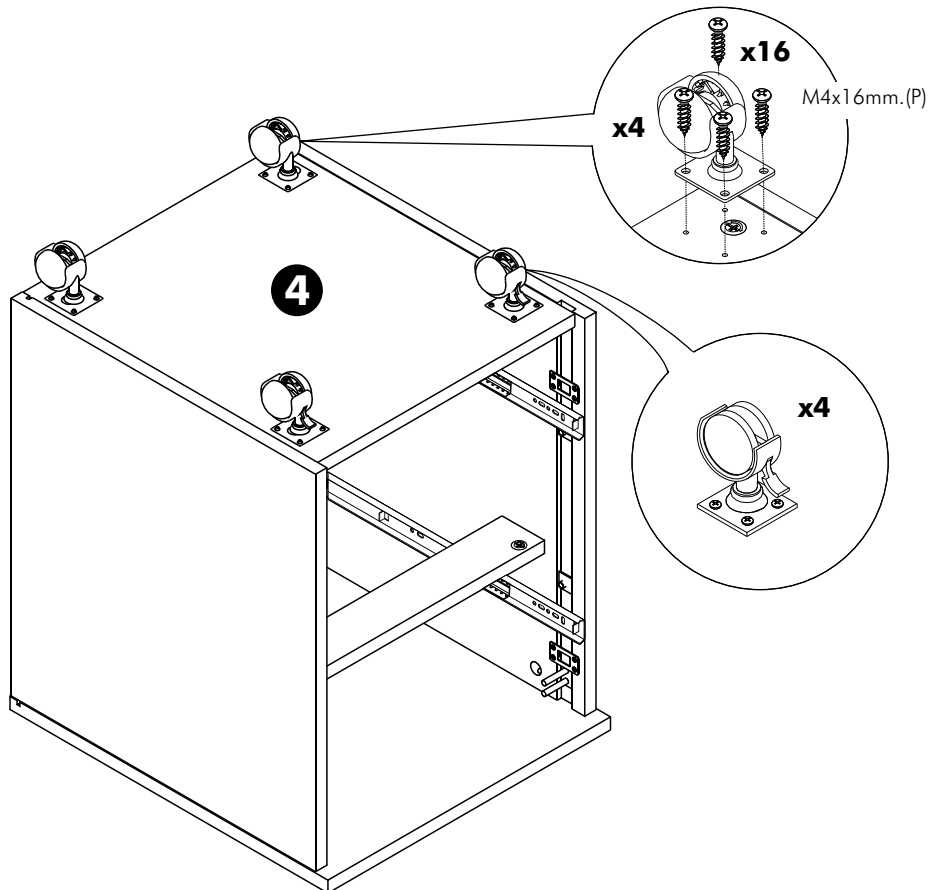
4.



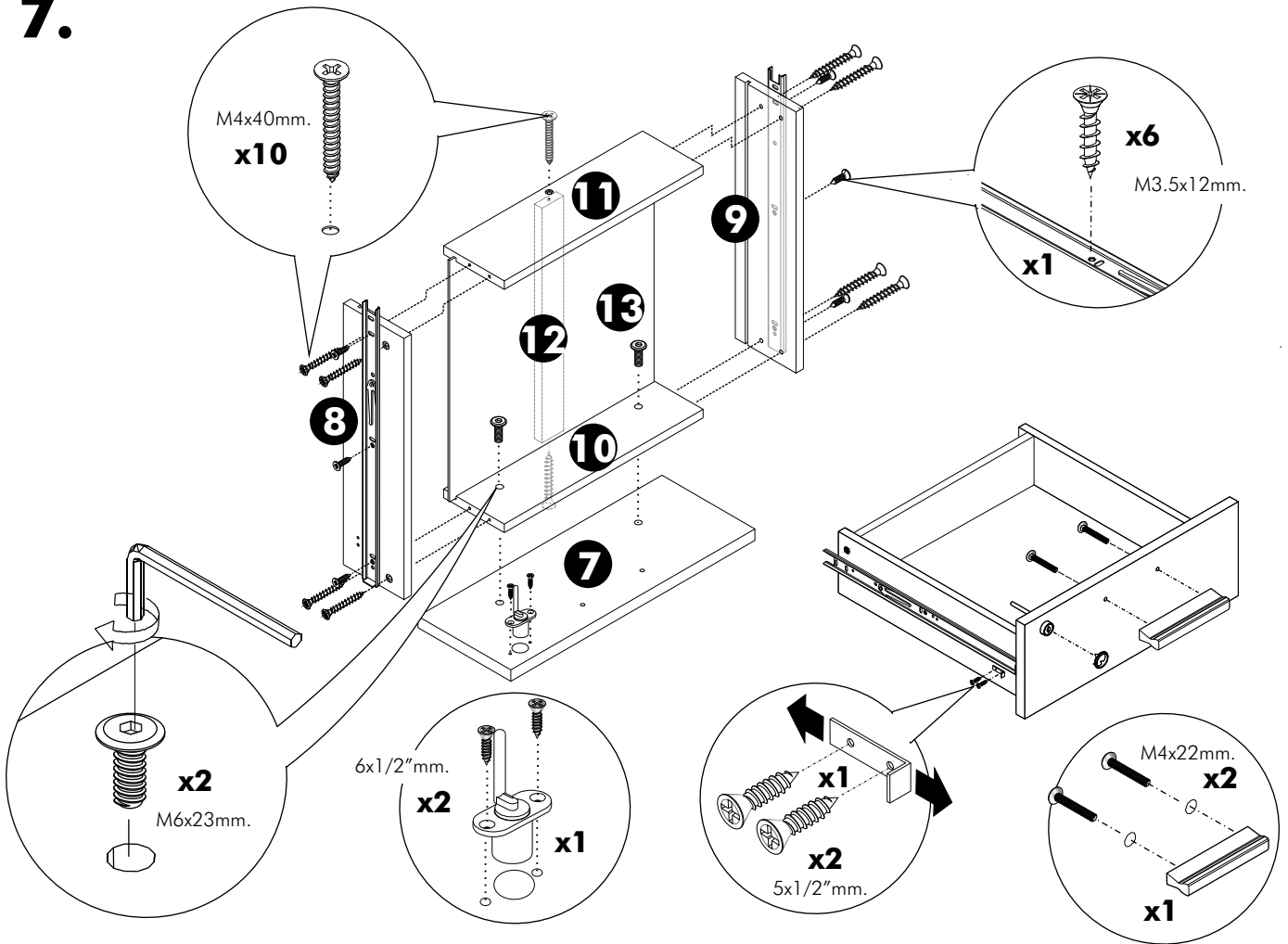
5.



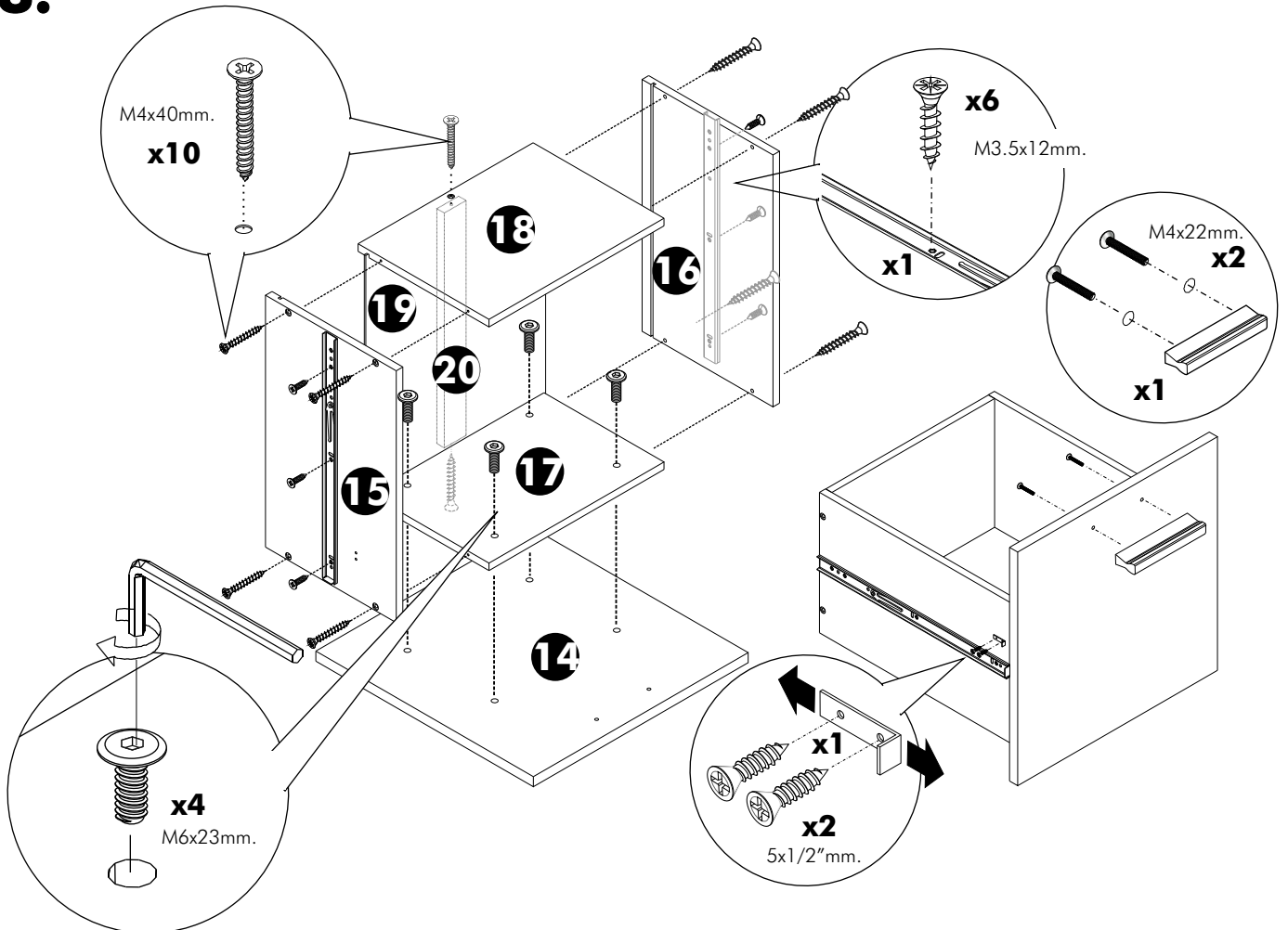
6.



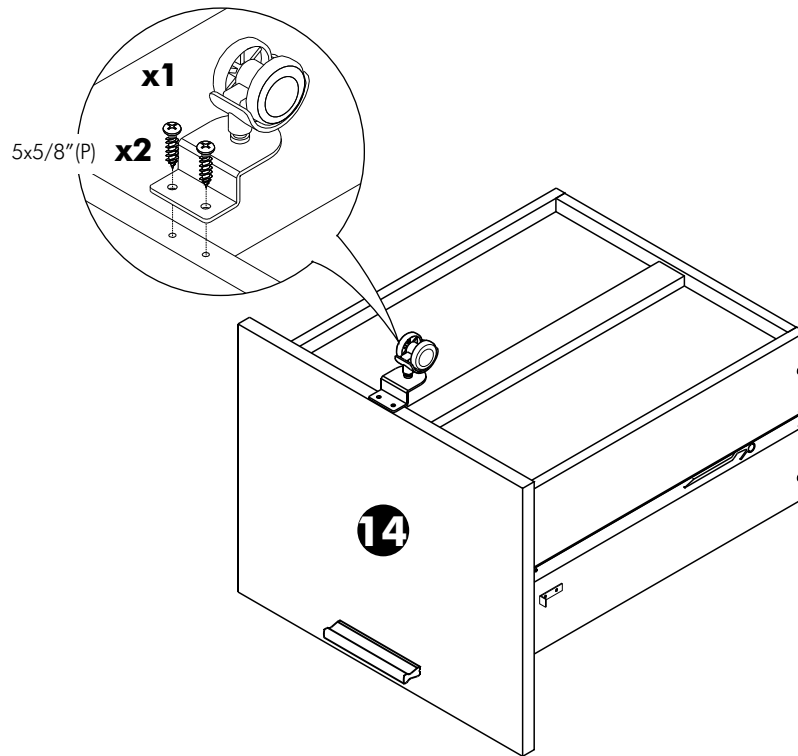
7.



8.



9.



10.

