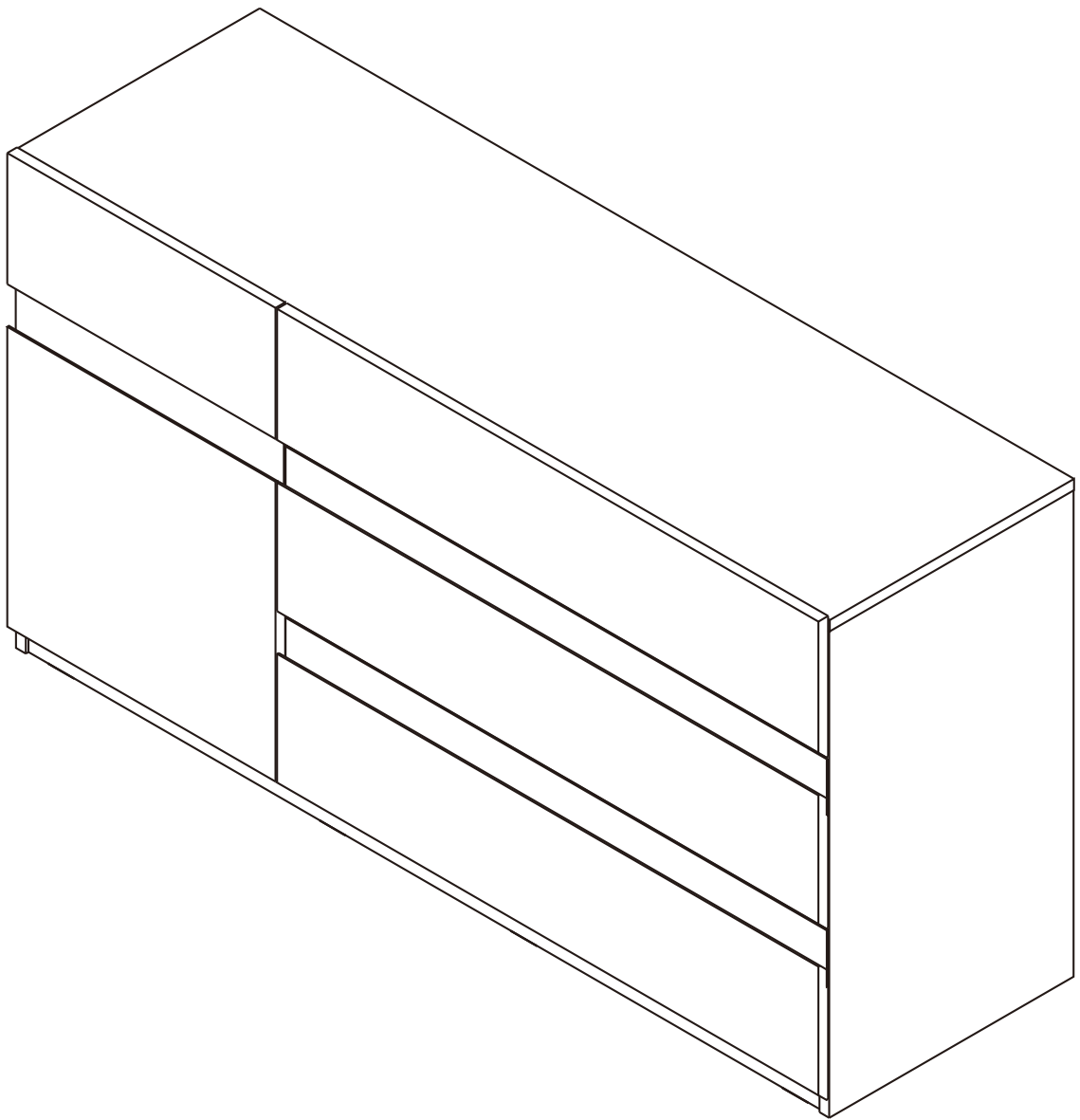
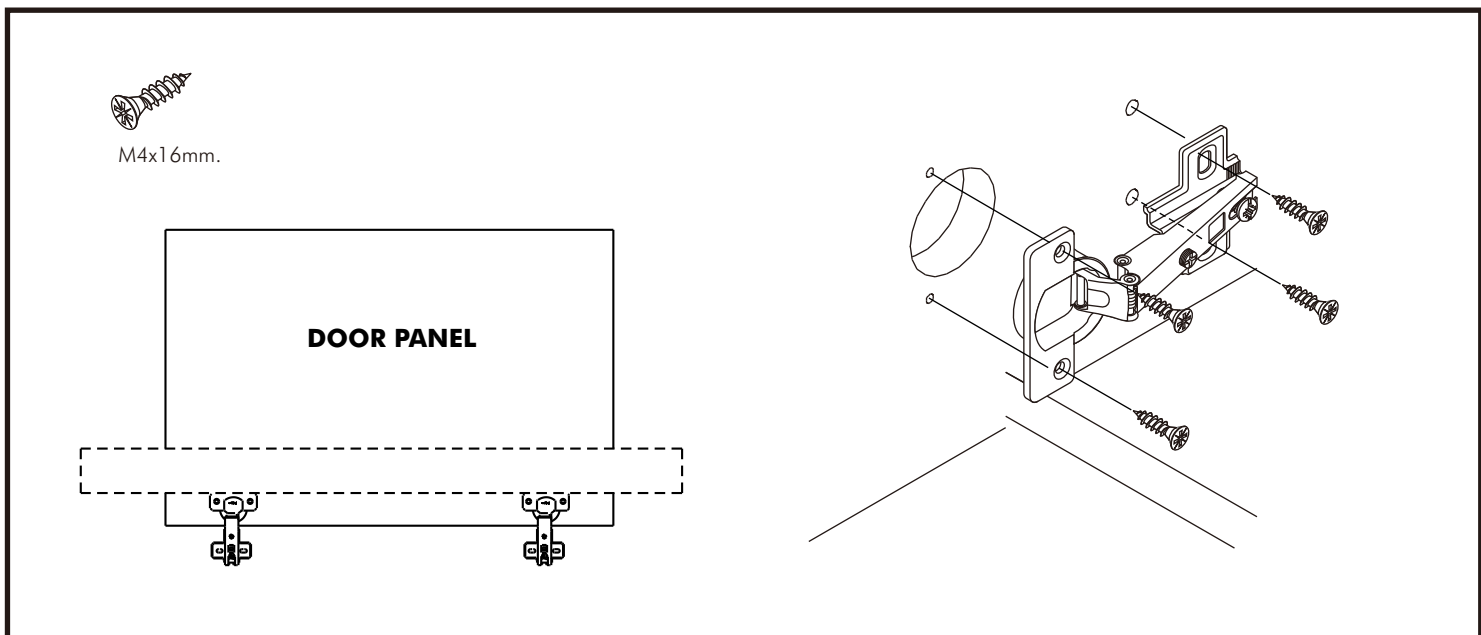
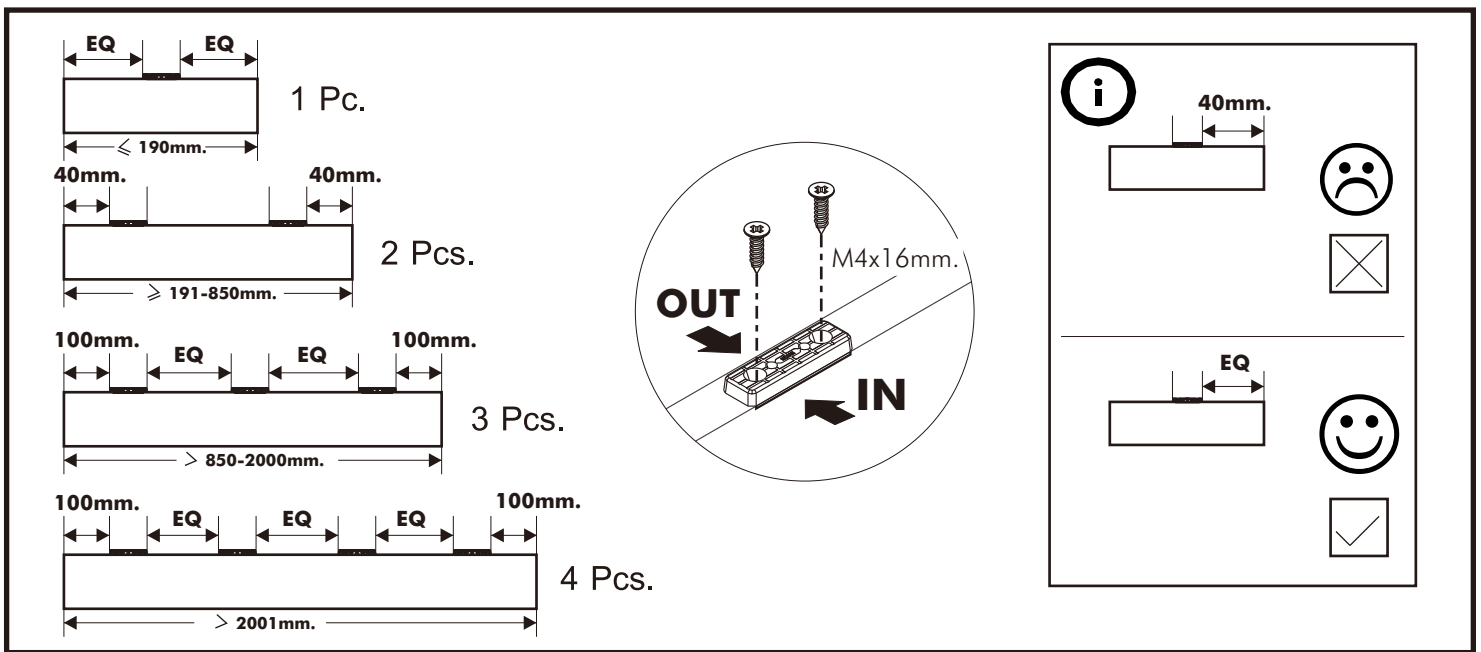
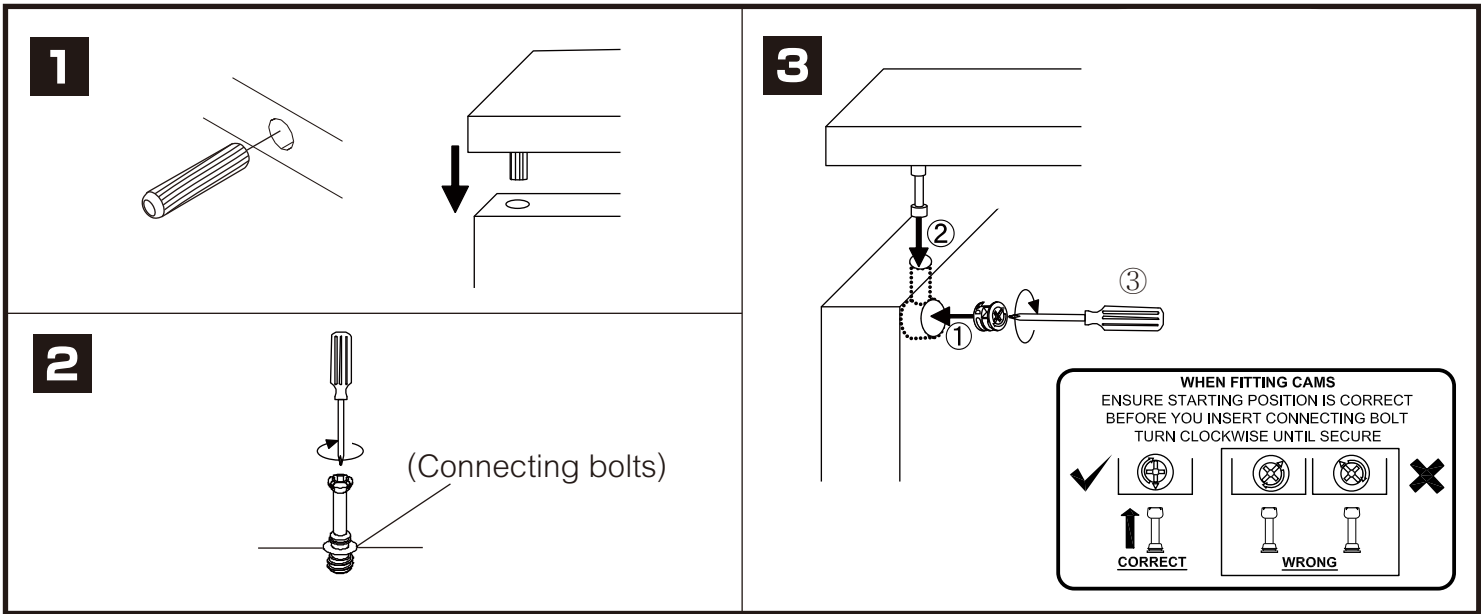


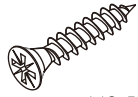
ILLUSION-P

Sideboard 150 cm.

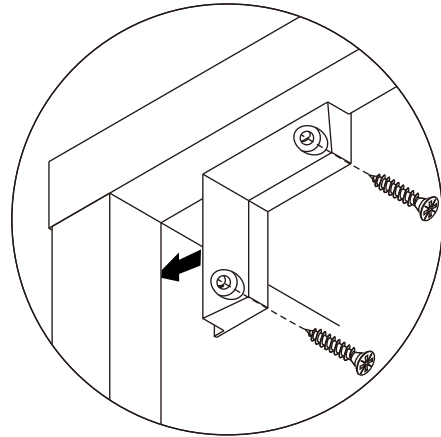
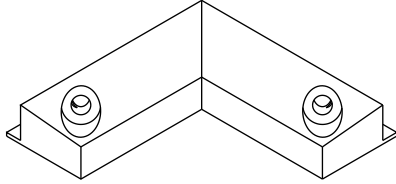


CONNECT SYSTEM

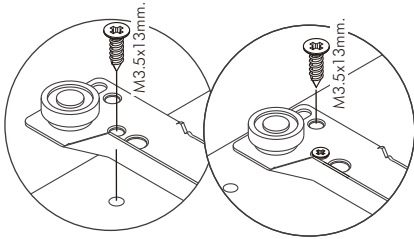




M3.5x20mm.

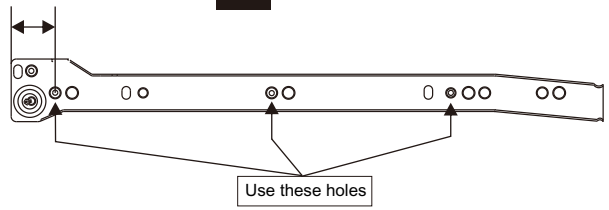


M3.5x13mm.

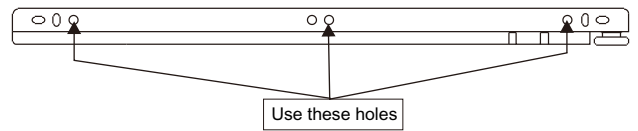


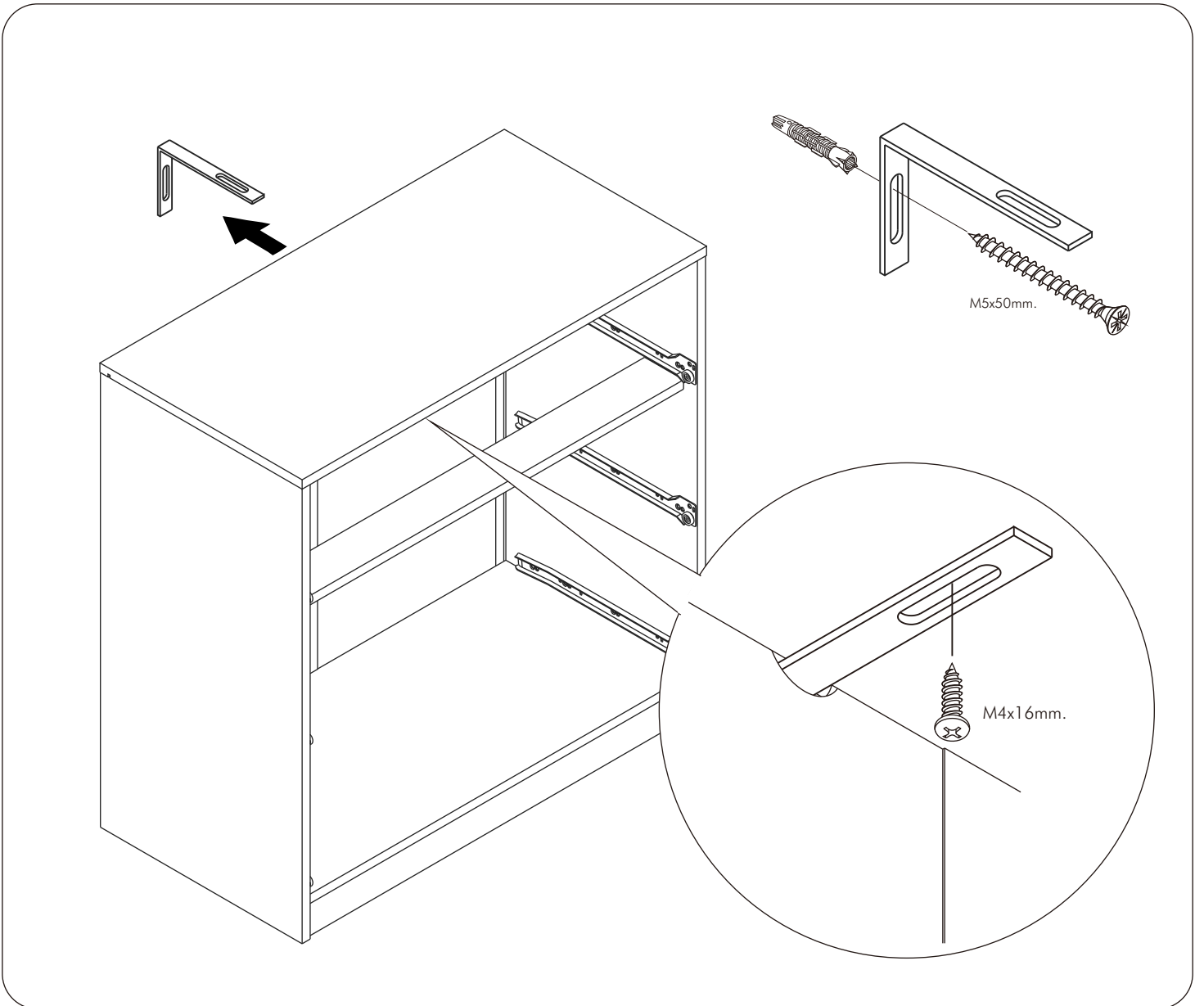
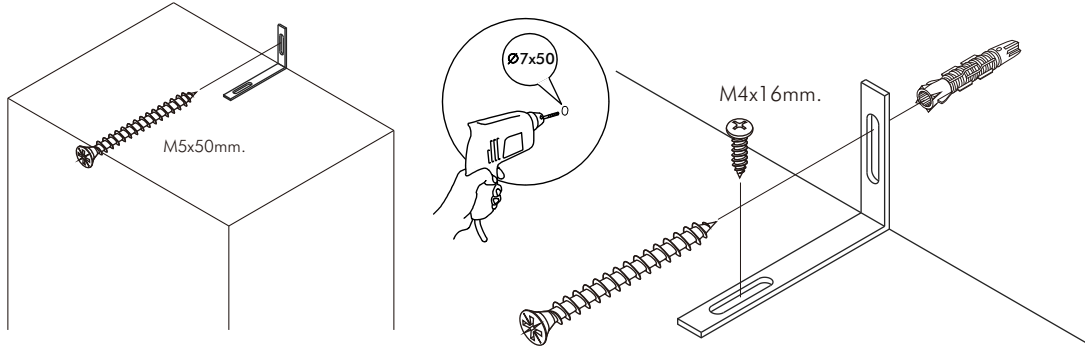
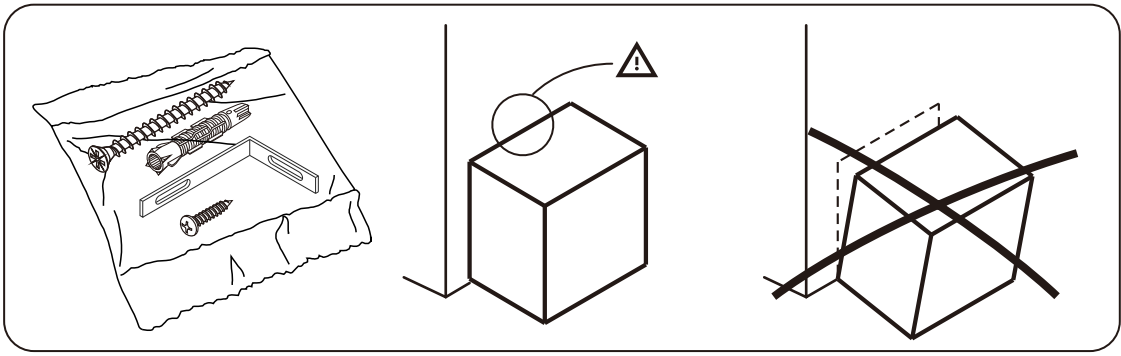
28mm.

1



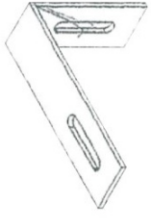
2



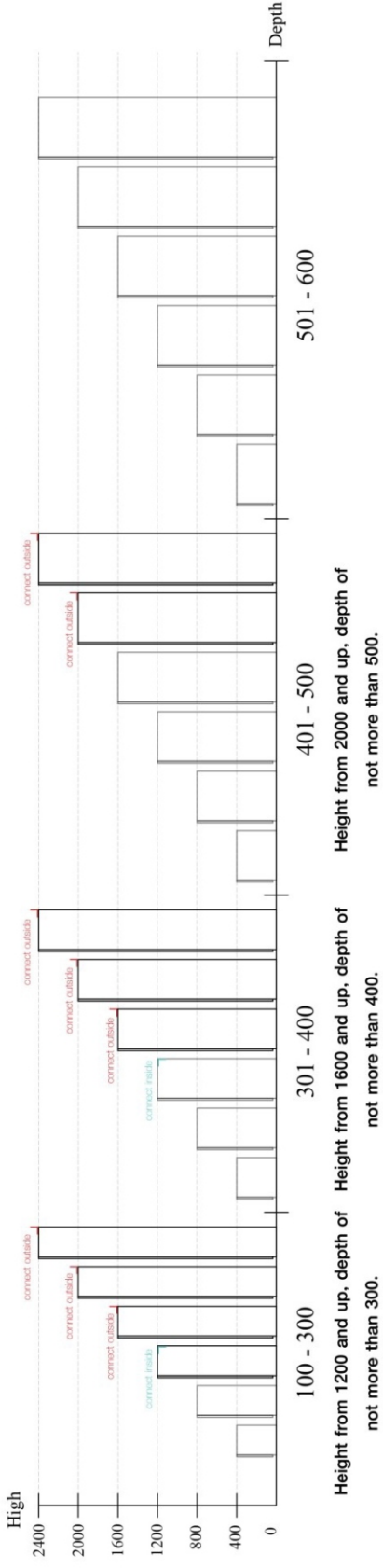


The Standard for identifying which mounted safety fall protection fitting to use **Note : That children's products must be installed with all anti-falling fittings.**

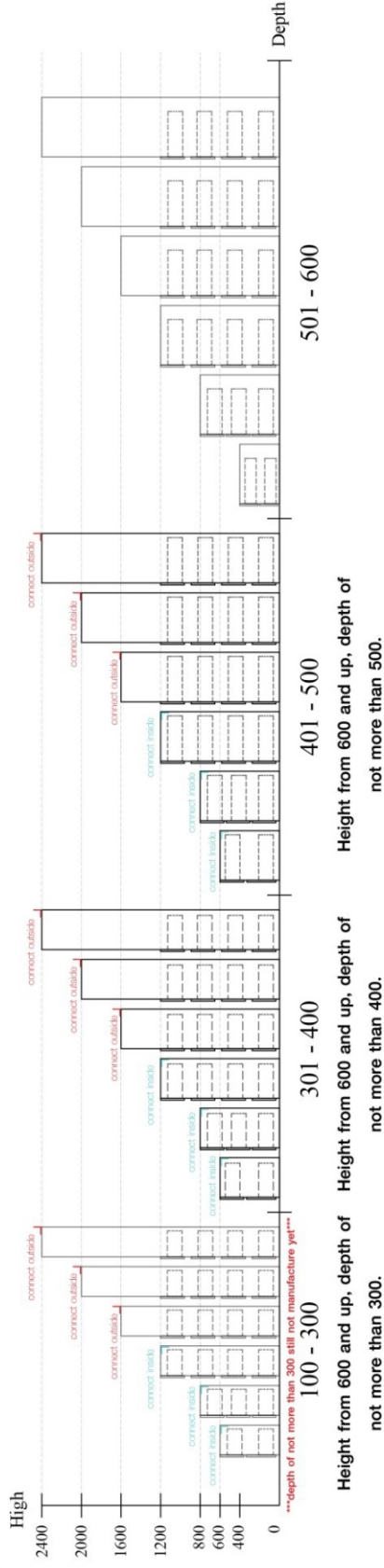
■ Mounted fall protection fittings



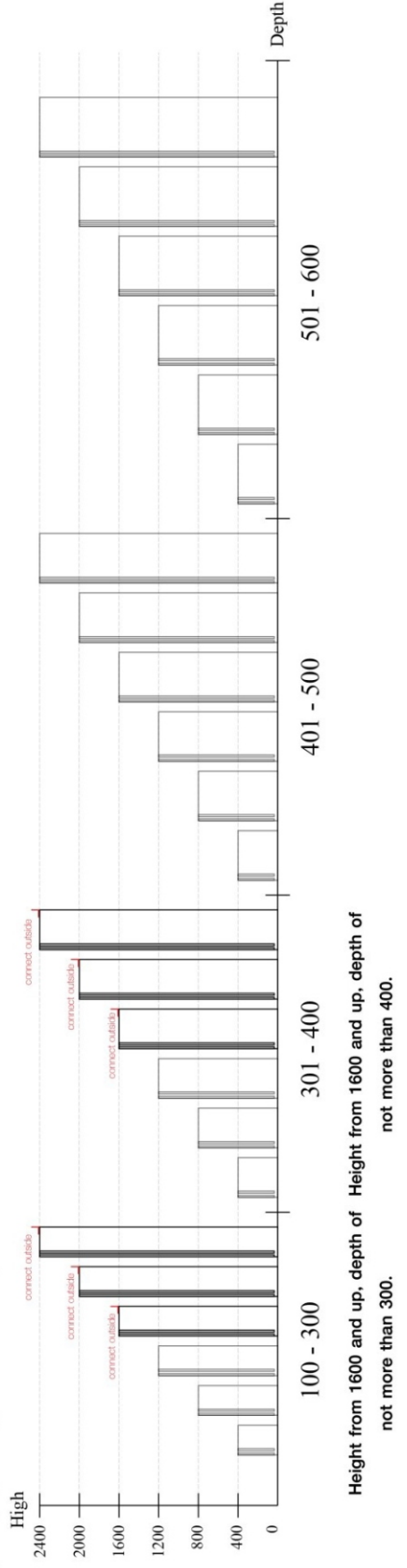
■ Category : Cabinet with open doors



■ Category : Chest of drawers

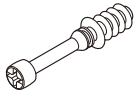


■ Category : Sliding door cabinet / Open cabinet



HARDWARE

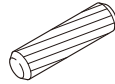
-BODY SET



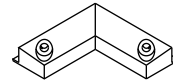
x 18



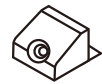
x 18



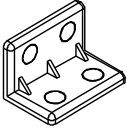
x 24



x 2



x 7



x 15



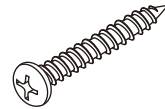
M3.5x20mm.

x 11



M4x16mm.

x 16



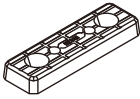
M4x30mm.

x 5



M4x16mm.

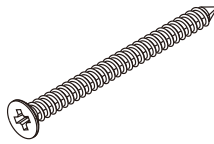
x 88



x 14

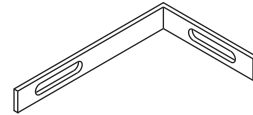


x 4

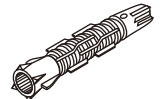


M4x50mm.

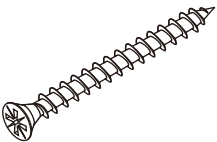
x 2



x 1



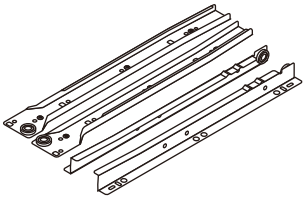
x 1



M5x50mm.

x 1

-DRAWER SET

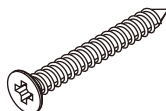


x 3



M3.5x13mm.

x 42



M4x40mm.

x 36



TFL4 M6x23

x 18



x 1



x 1

-DOOR SET



x 2



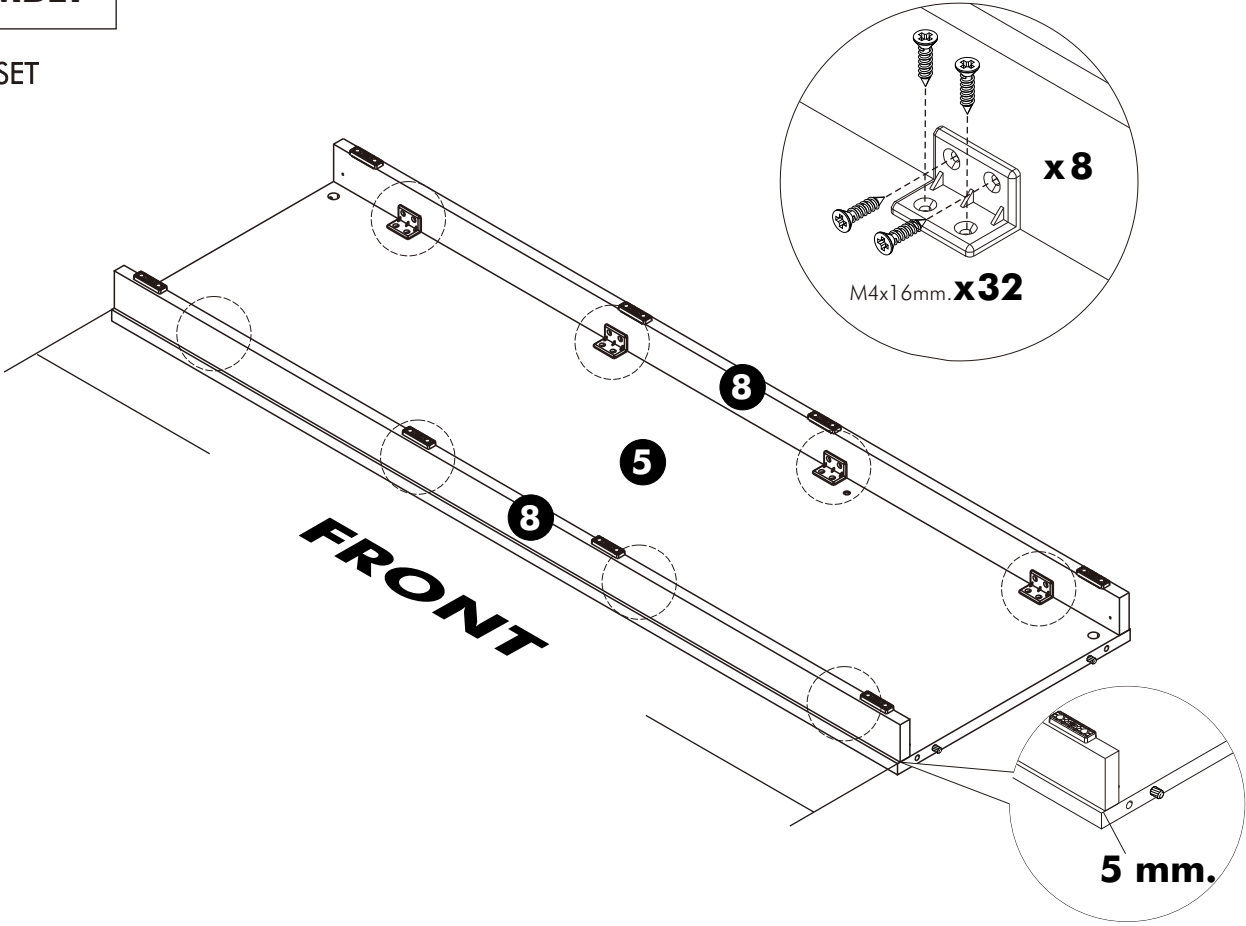
M4x16mm.

x 8

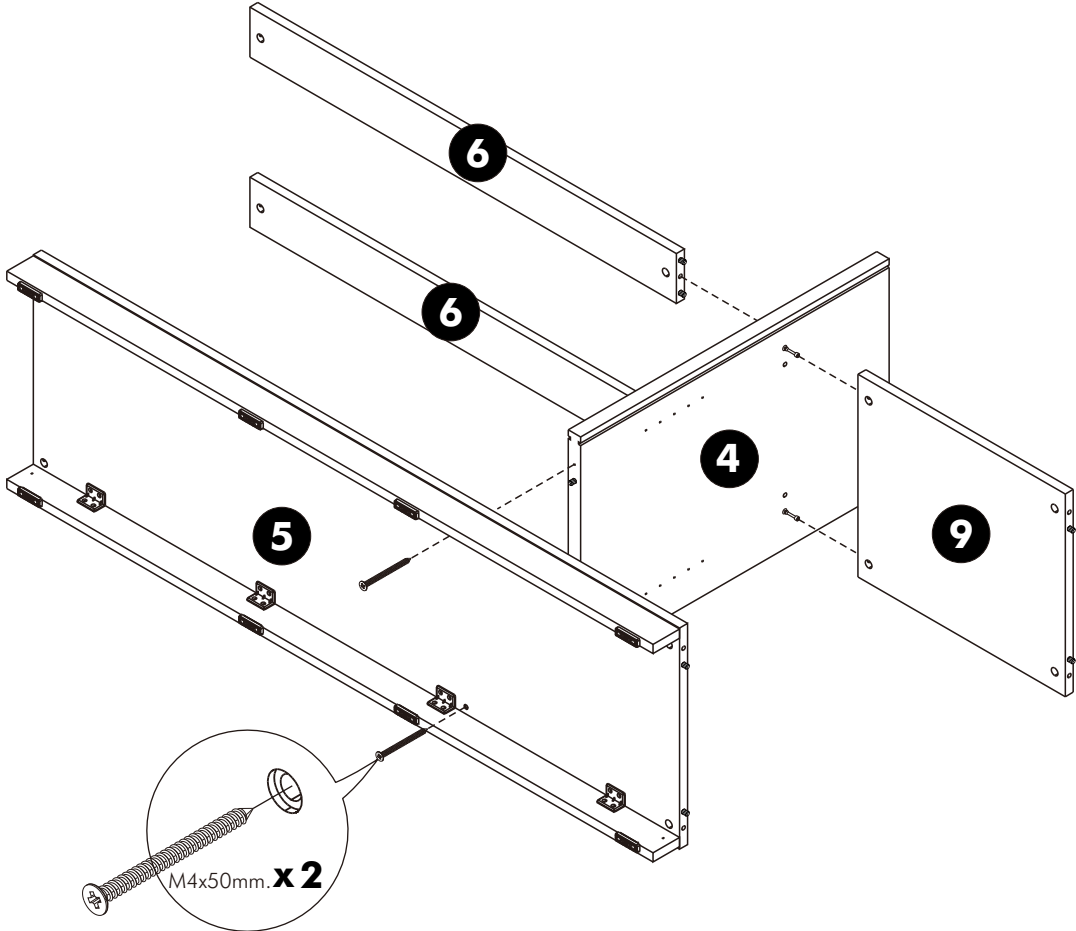
ASSEMBLY

-BODY SET

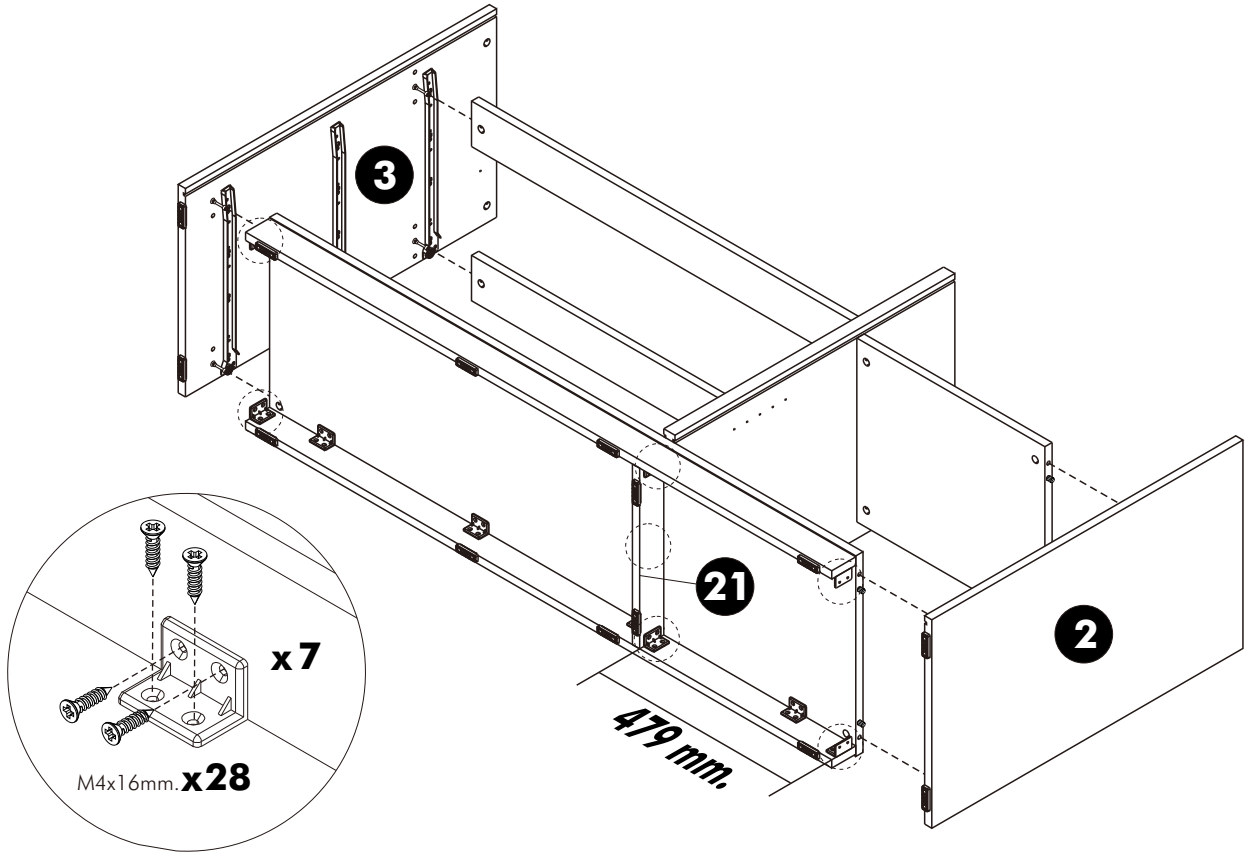
1.



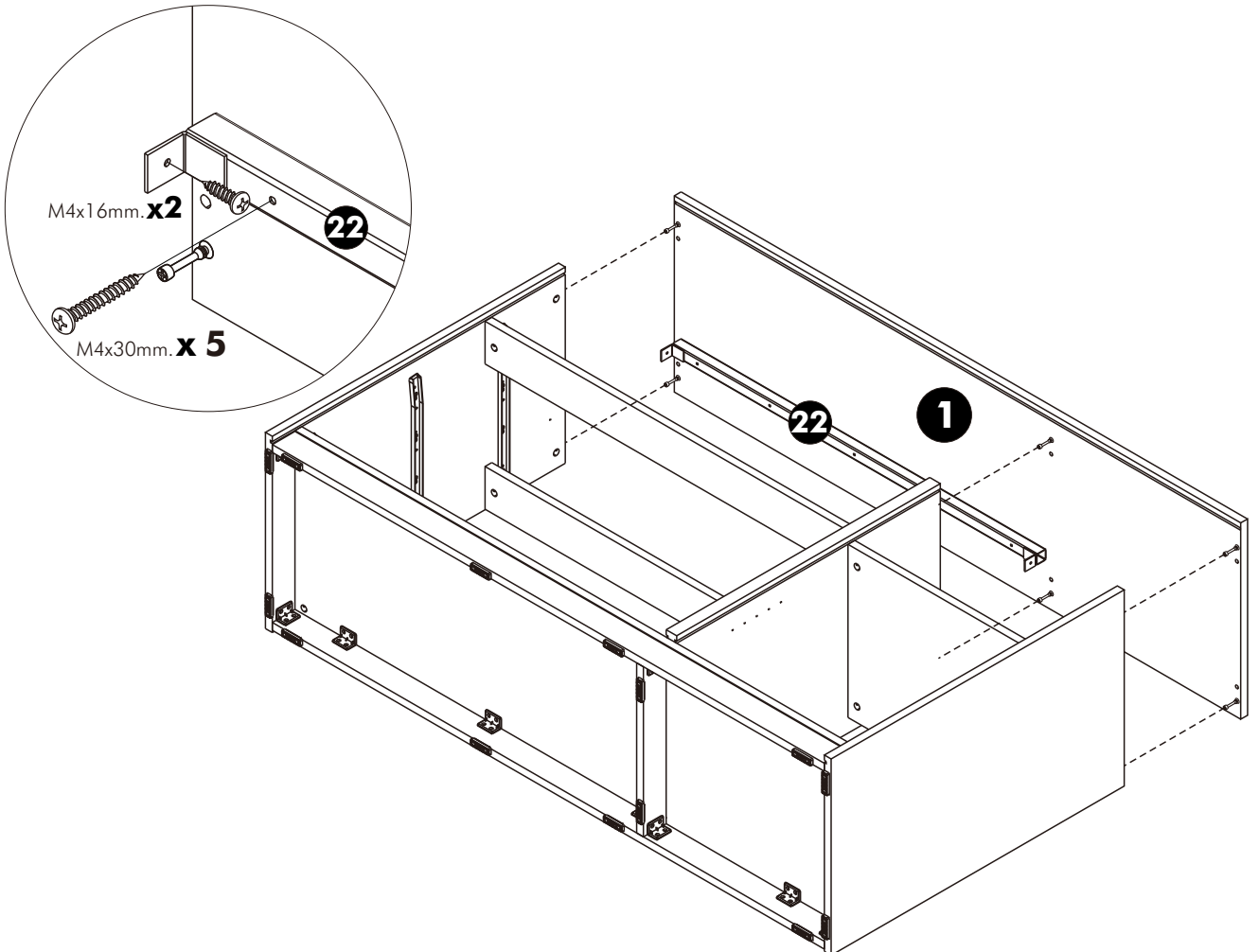
2.



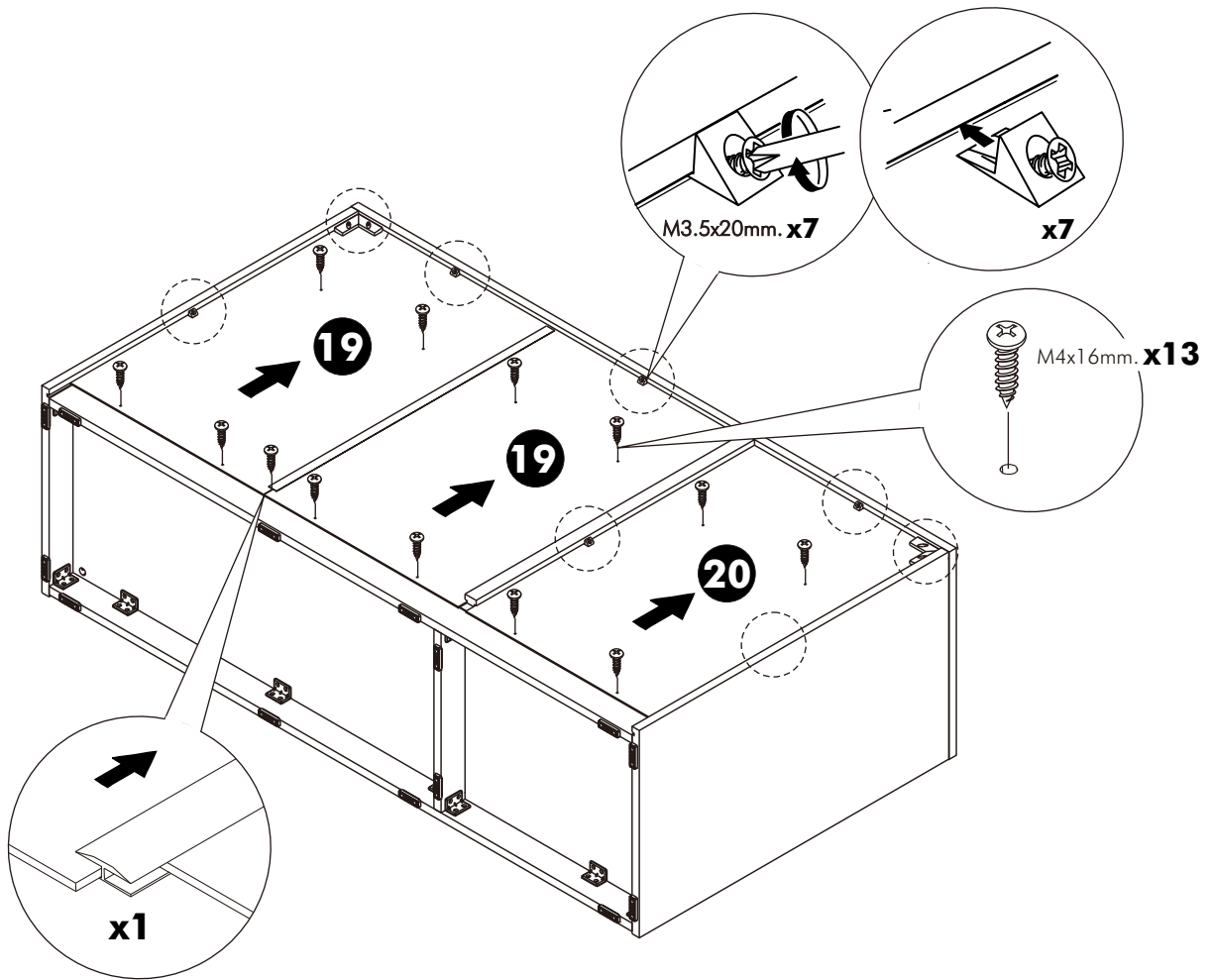
3.



4.

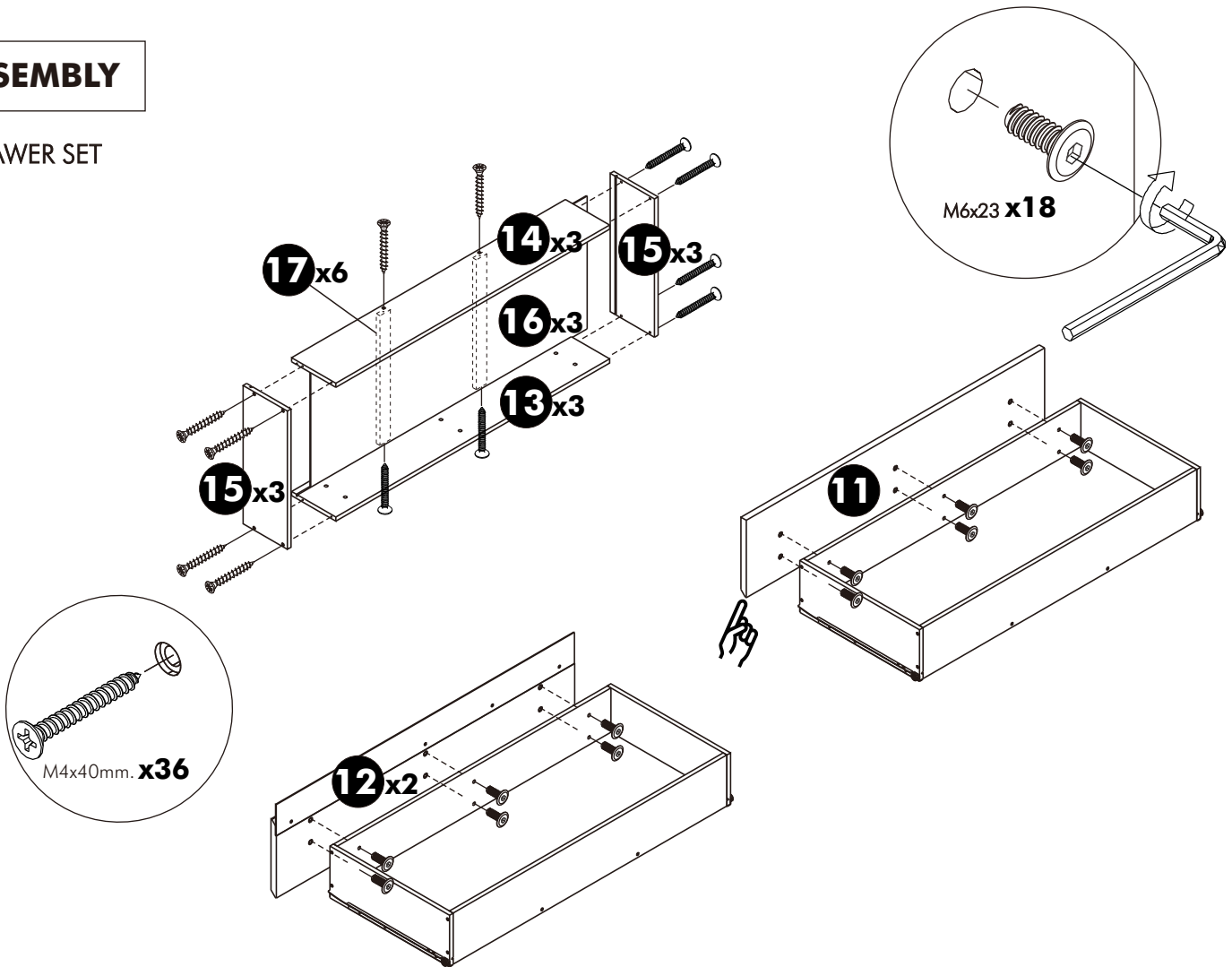


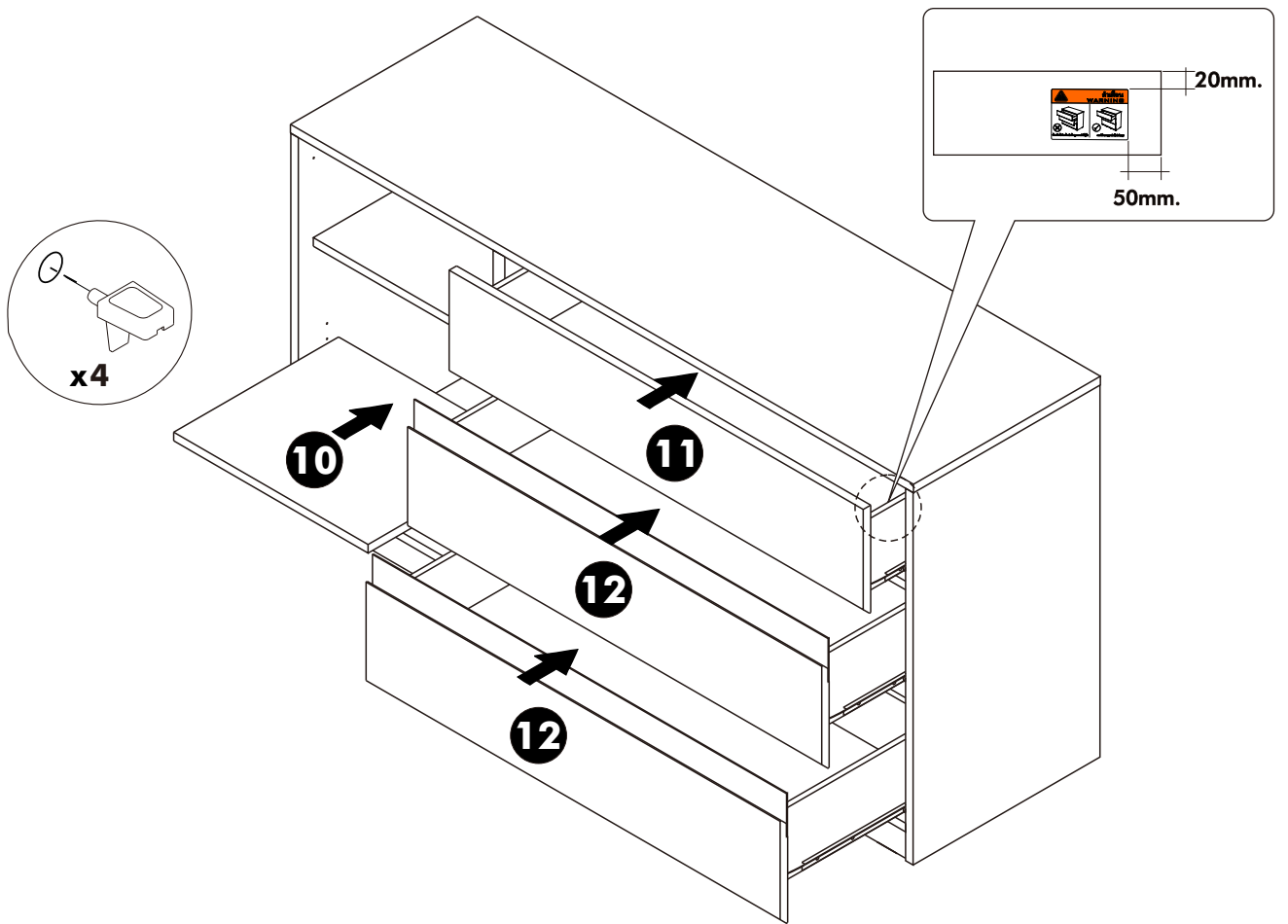
5.



ASSEMBLY

-DRAWER SET





ASSEMBLY

-DOOR SET

