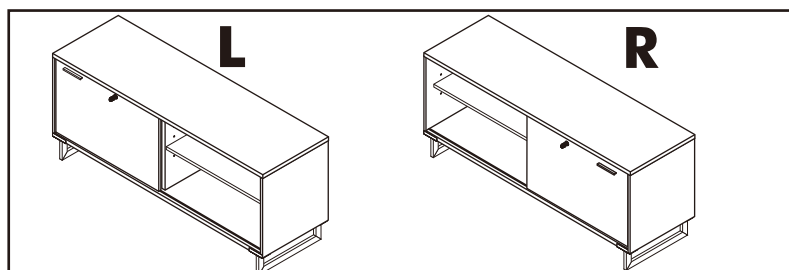
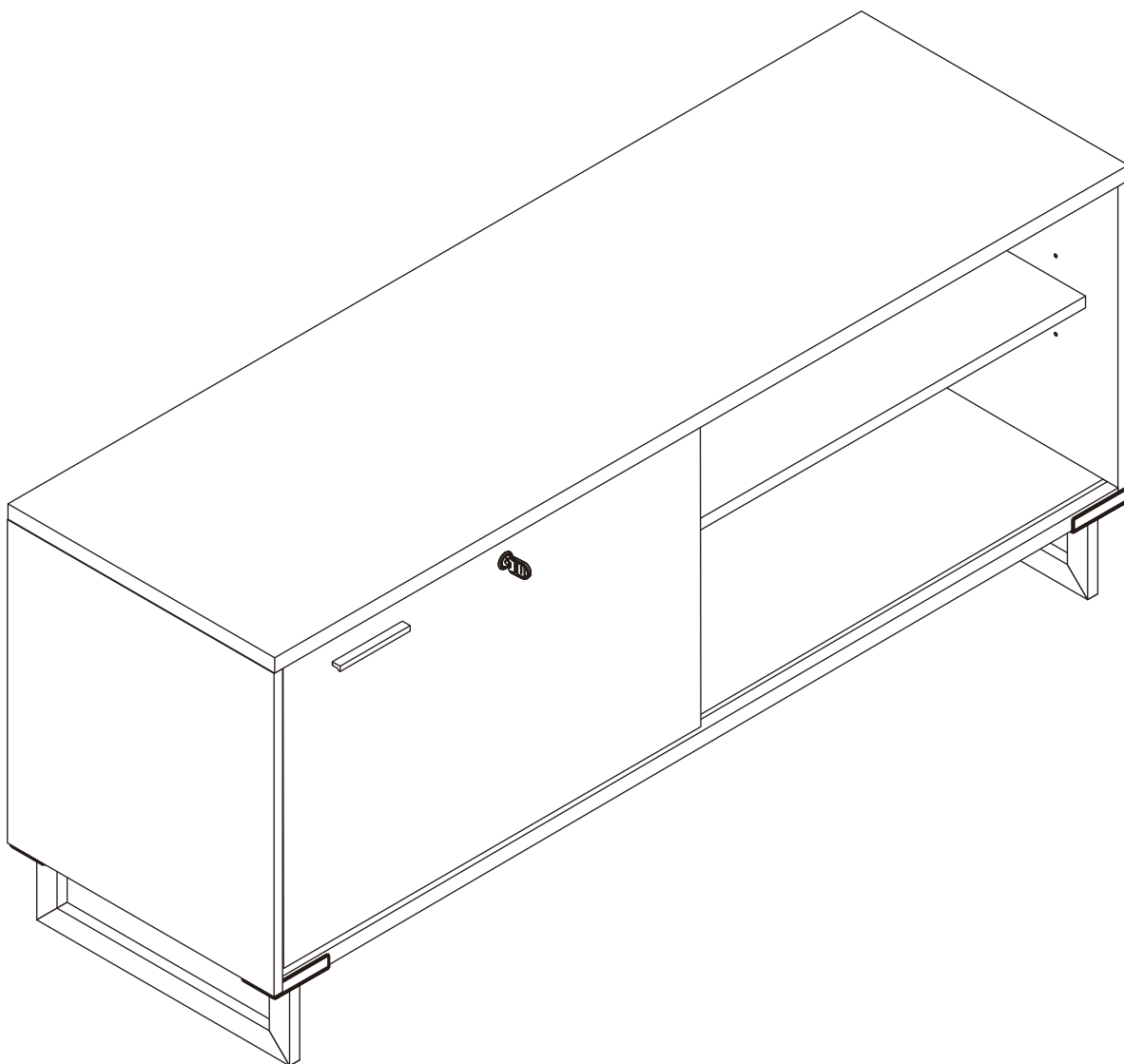
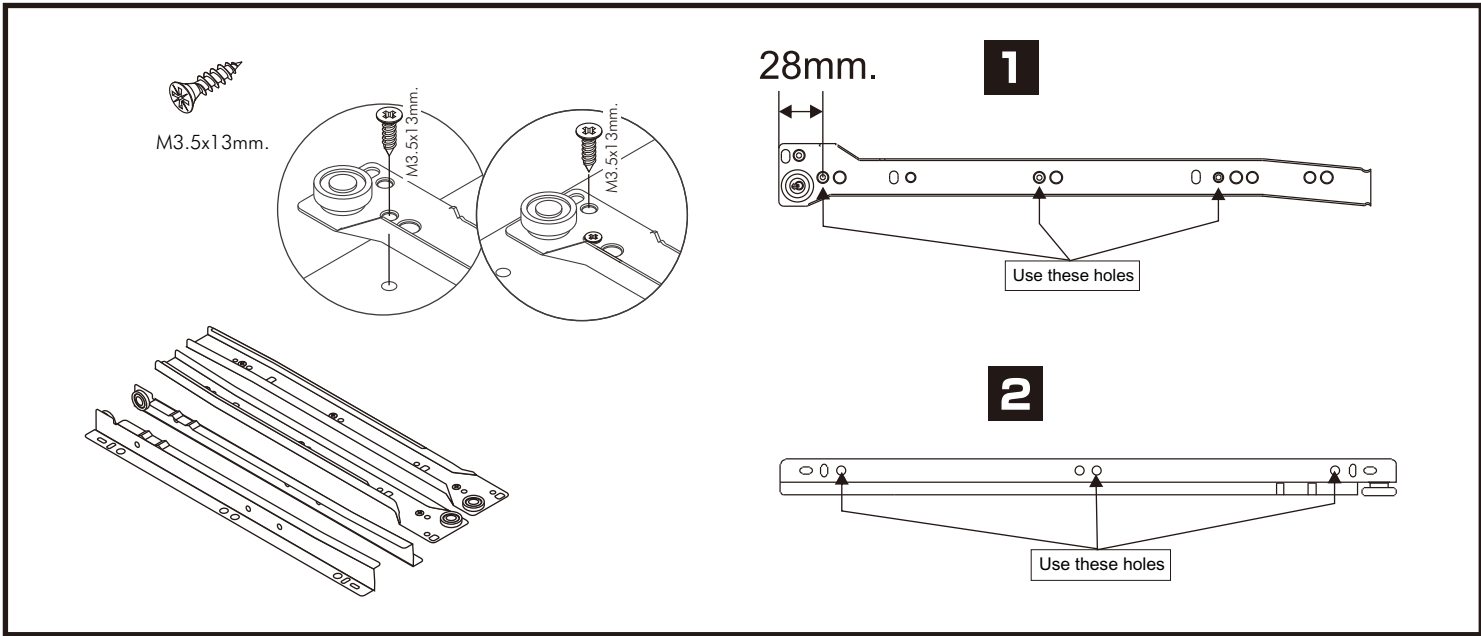
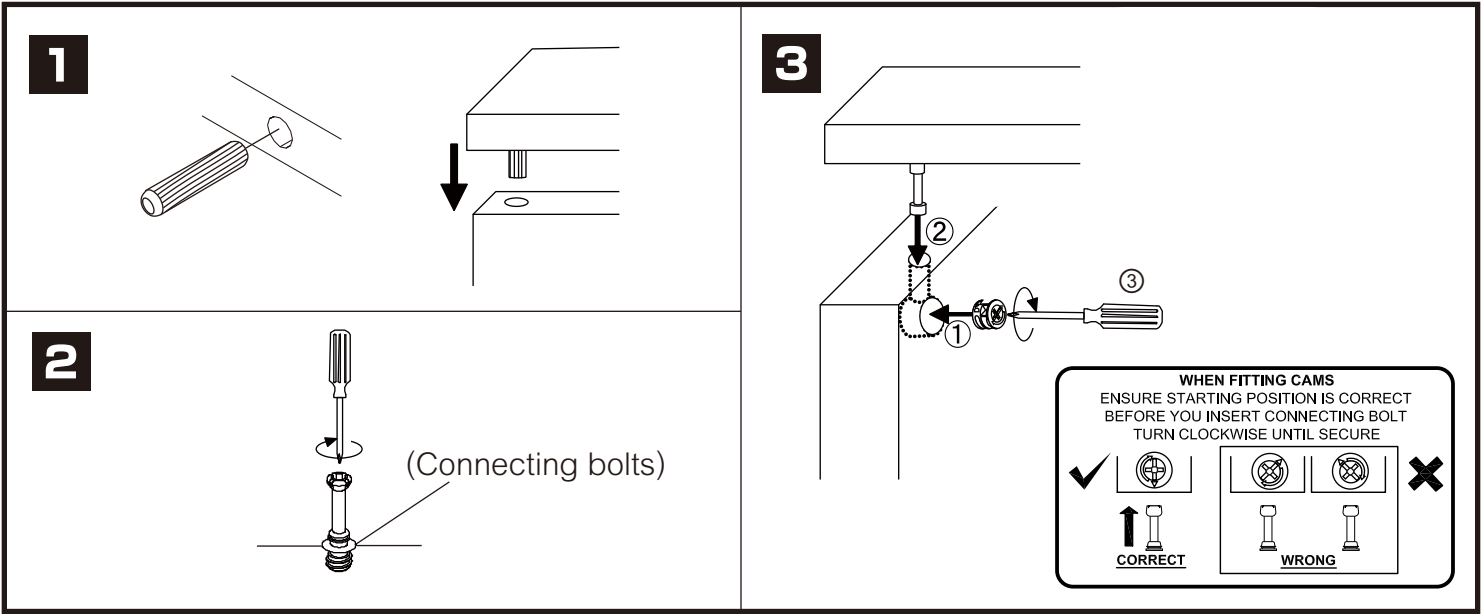


TETRIS-P

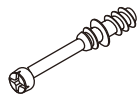
LOW CABINET/ SLIDING DOOR



CONNECT SYSTEM



HARDWARE



x 18



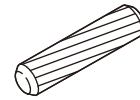
#19

x 10



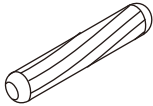
#12

x 8



8x35mm.

x 22



6x35mm.

x 18



#M4x50 (F)

x 6



#M4x40mm. (F)

x 18



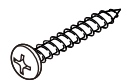
#M4x30mm. (F)

x 12



#M3.5x20 (F)

x 4



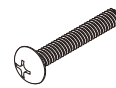
#6x3/4" (P)

x 1



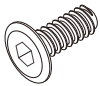
#M3.5x16 mm. (P)

x 4



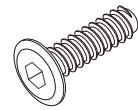
#M4x25mm.

x 2



#M6x15mm.

x 8

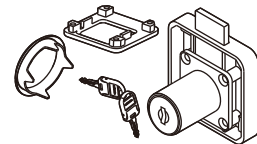


#M6x23mm.

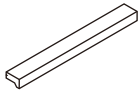
x 4



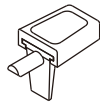
x 8



x 1



x 1



x 4



x 2



5x18mm.

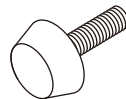
x 2



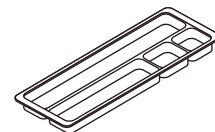
x 2



x 2



x 4

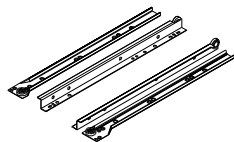


x 1



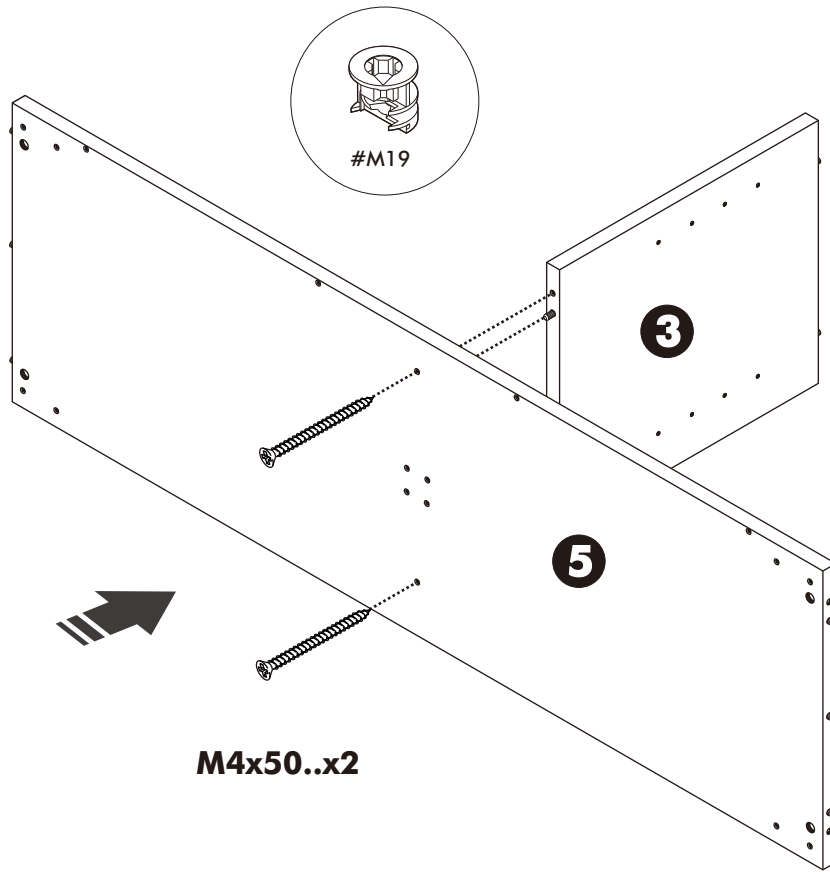
F+M3.5X13

x 14

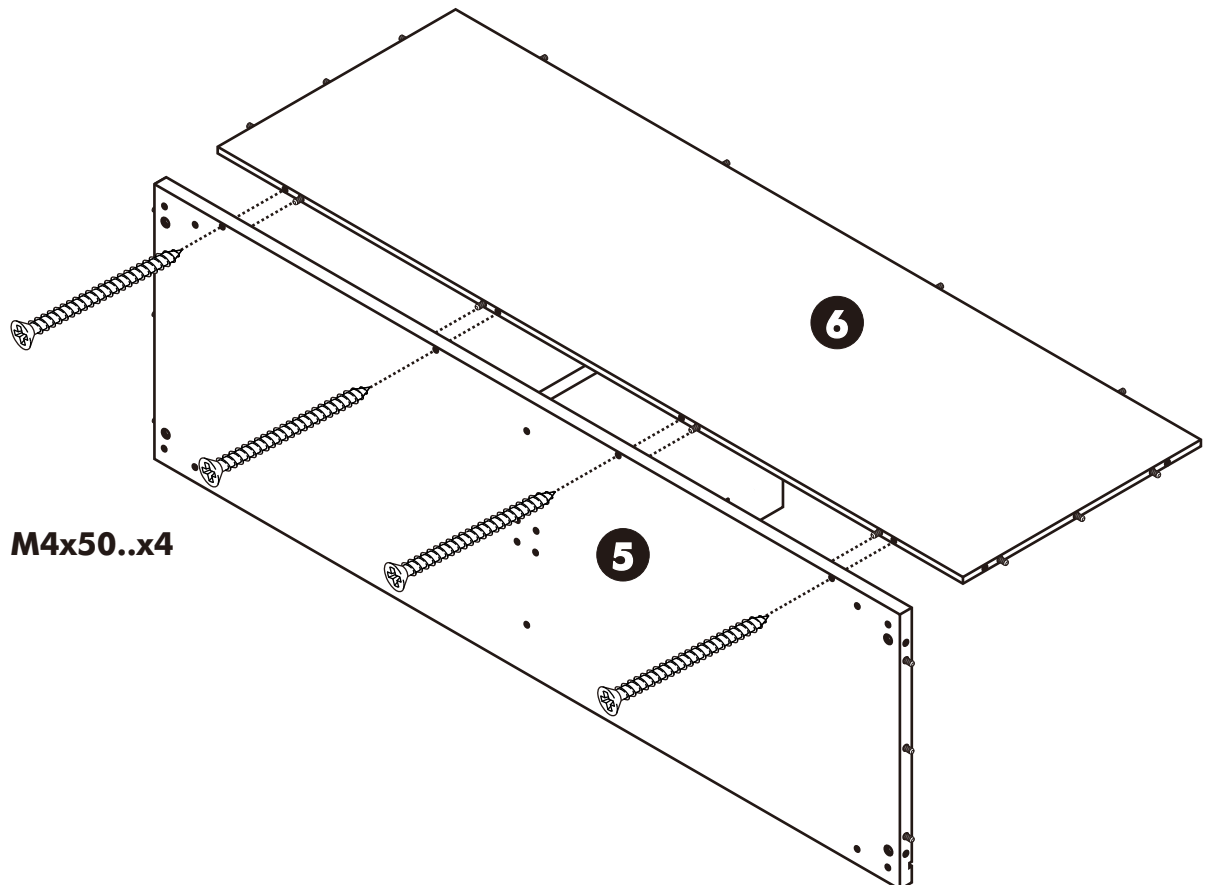


x 1SET

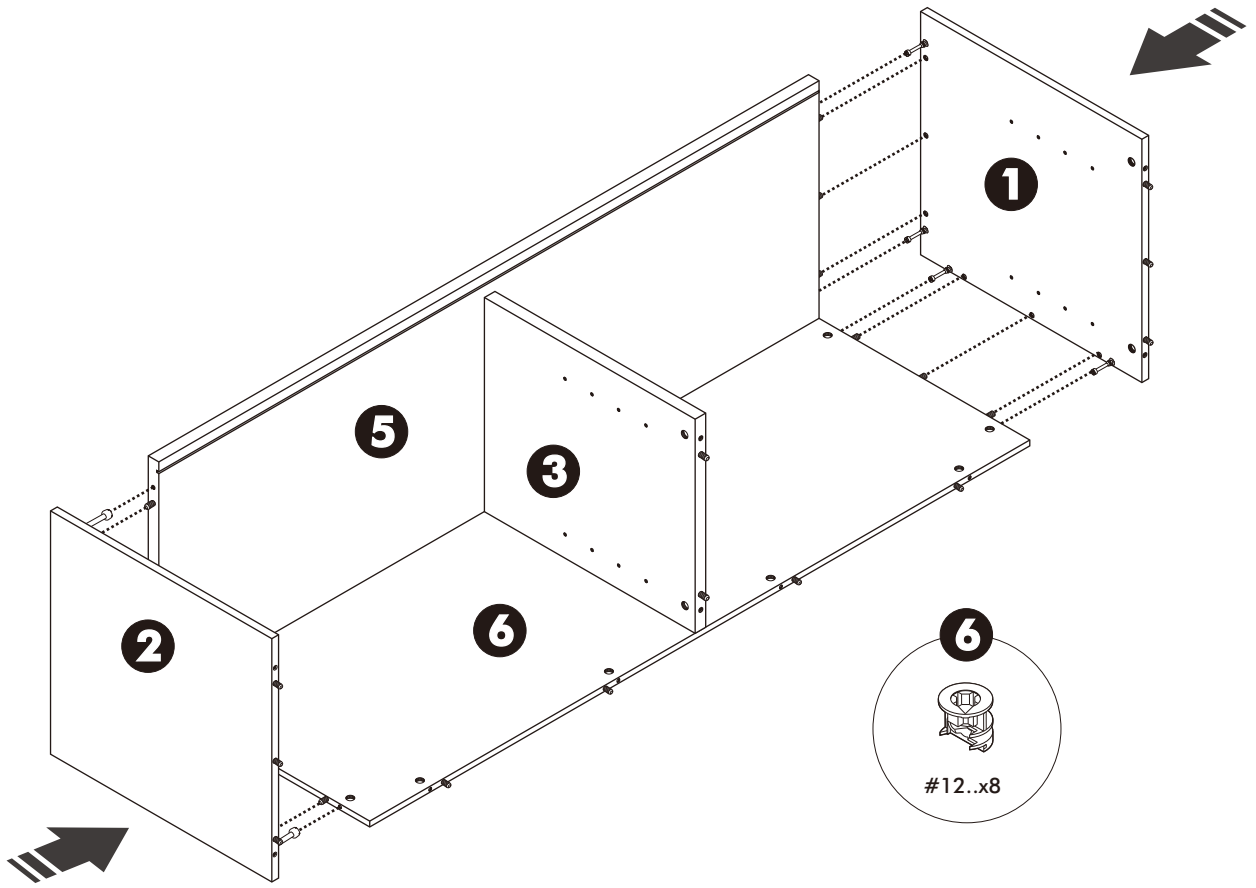
1.



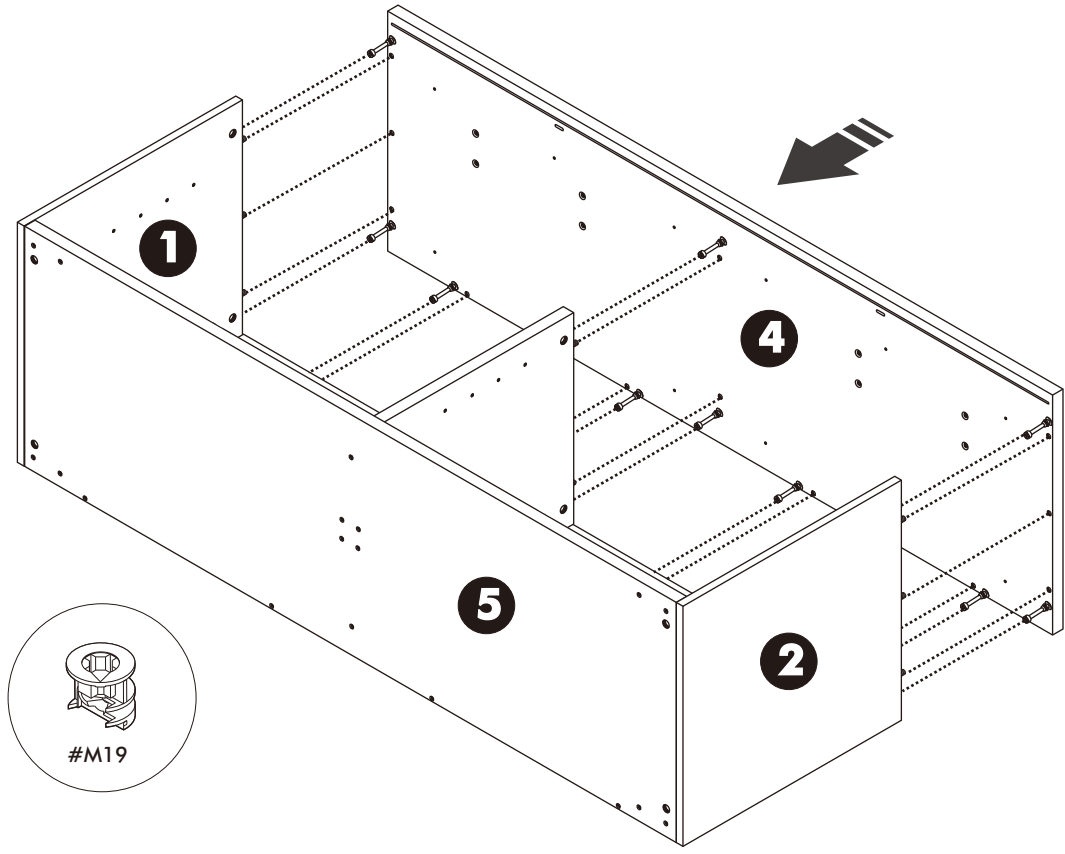
2.



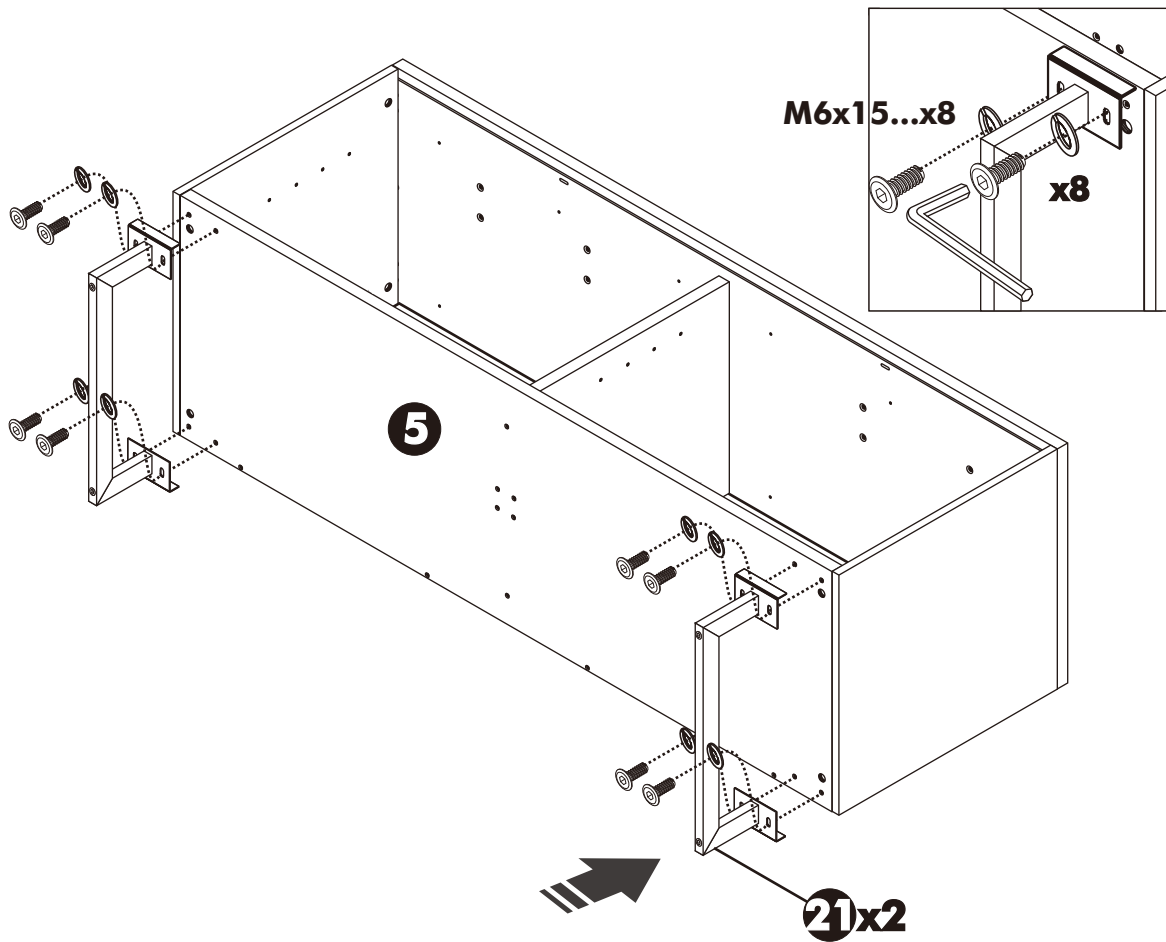
3.



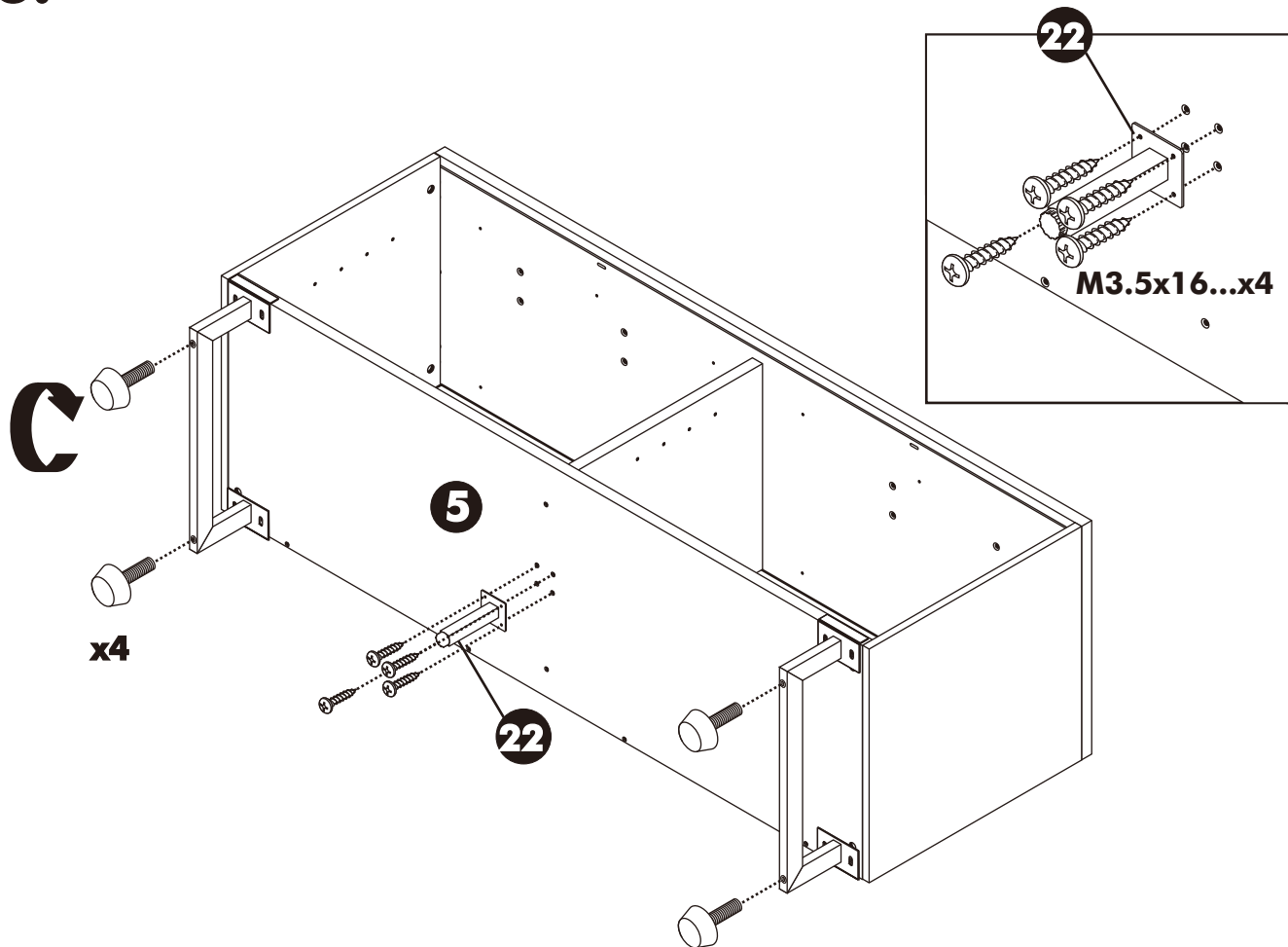
4.



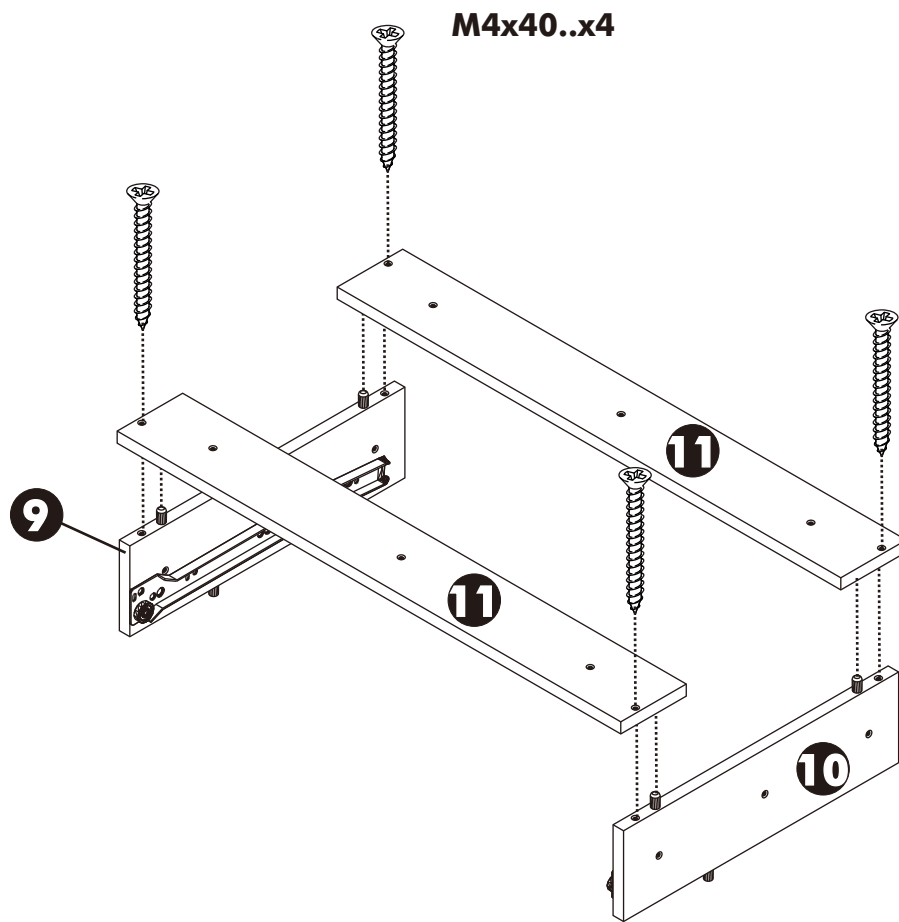
5.



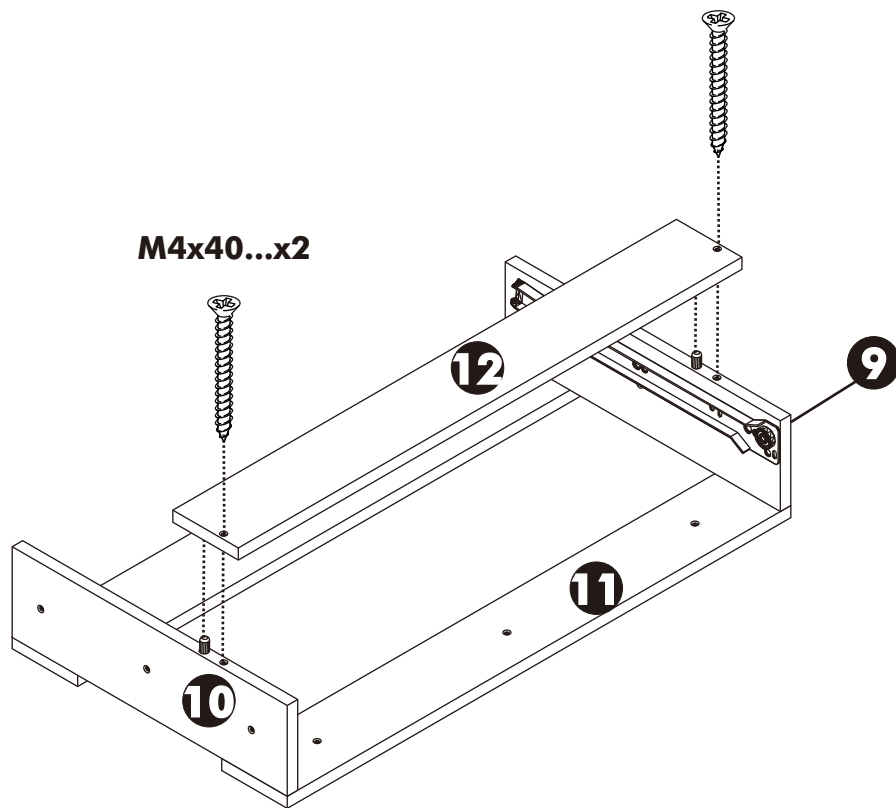
6.



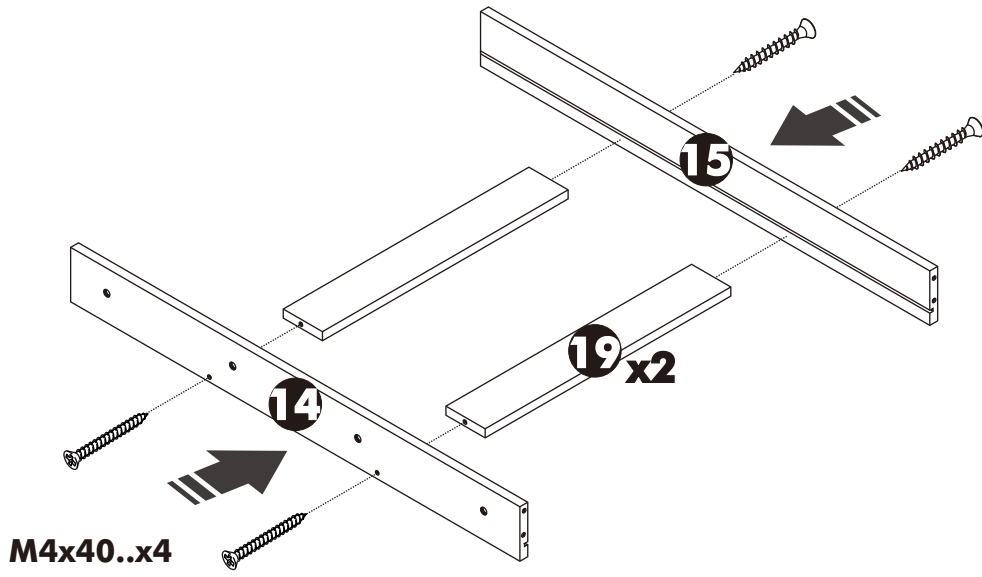
7.



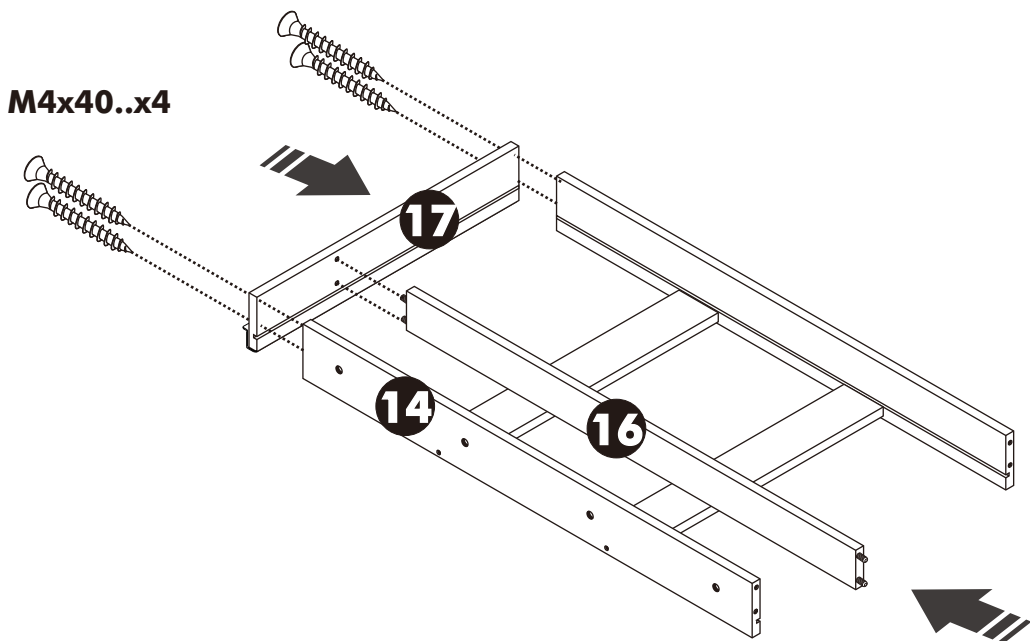
8.



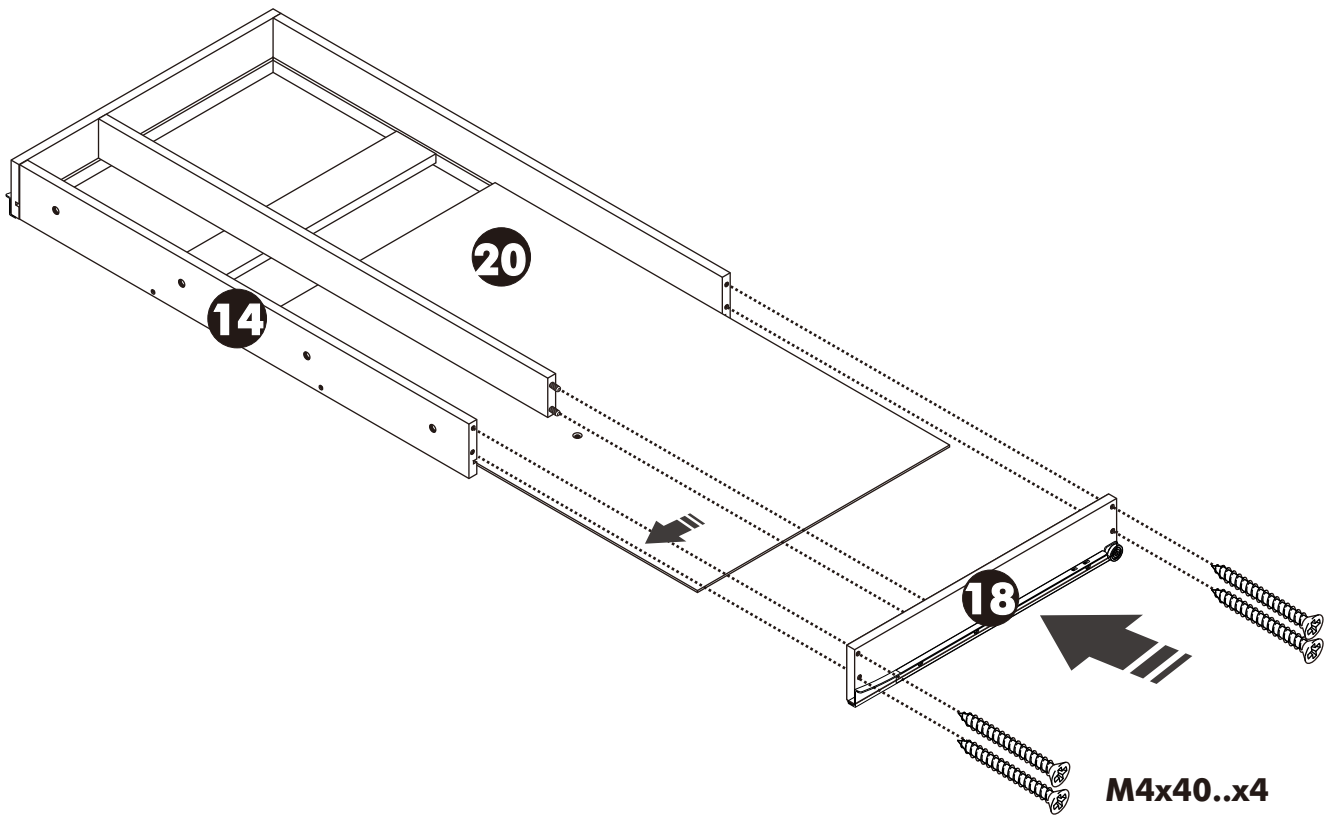
9.



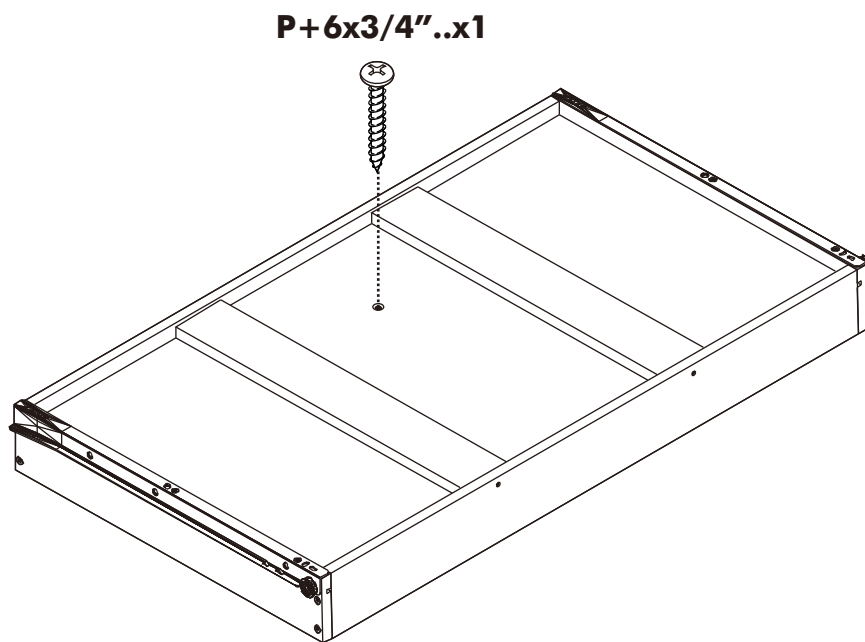
10.



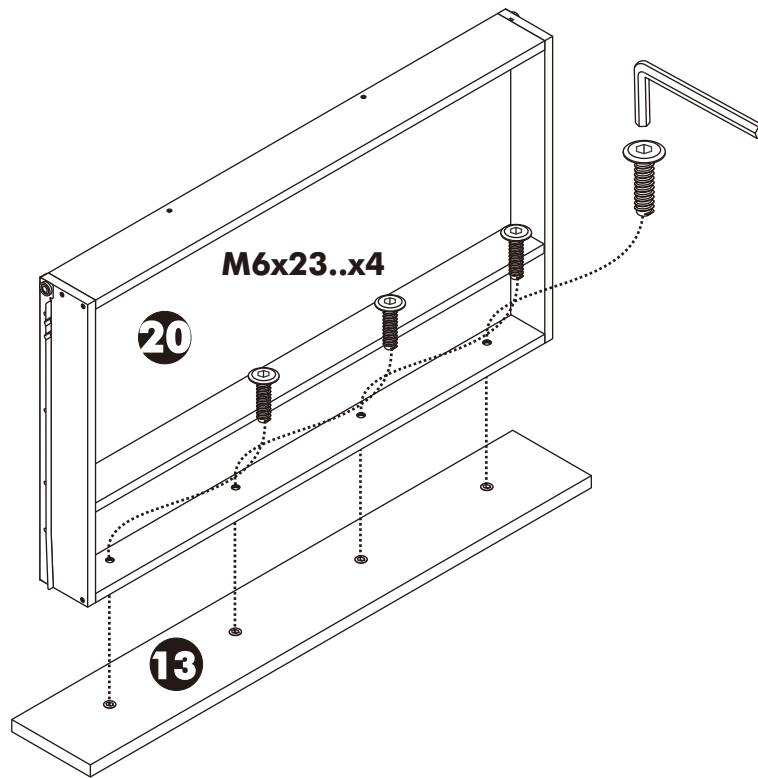
11.



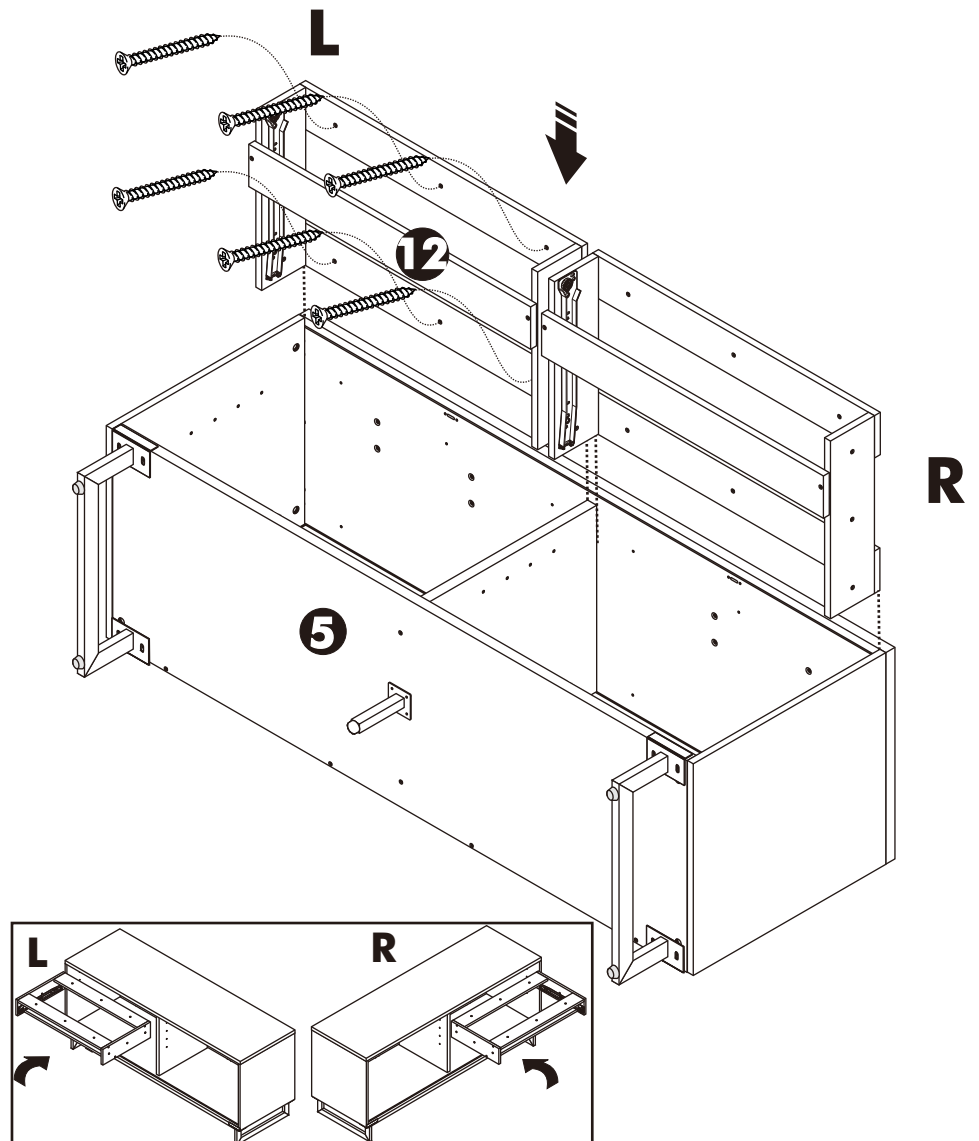
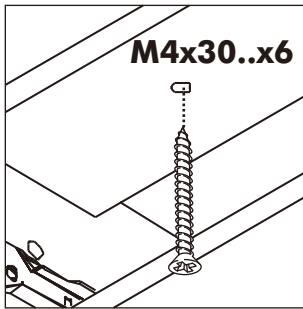
12.



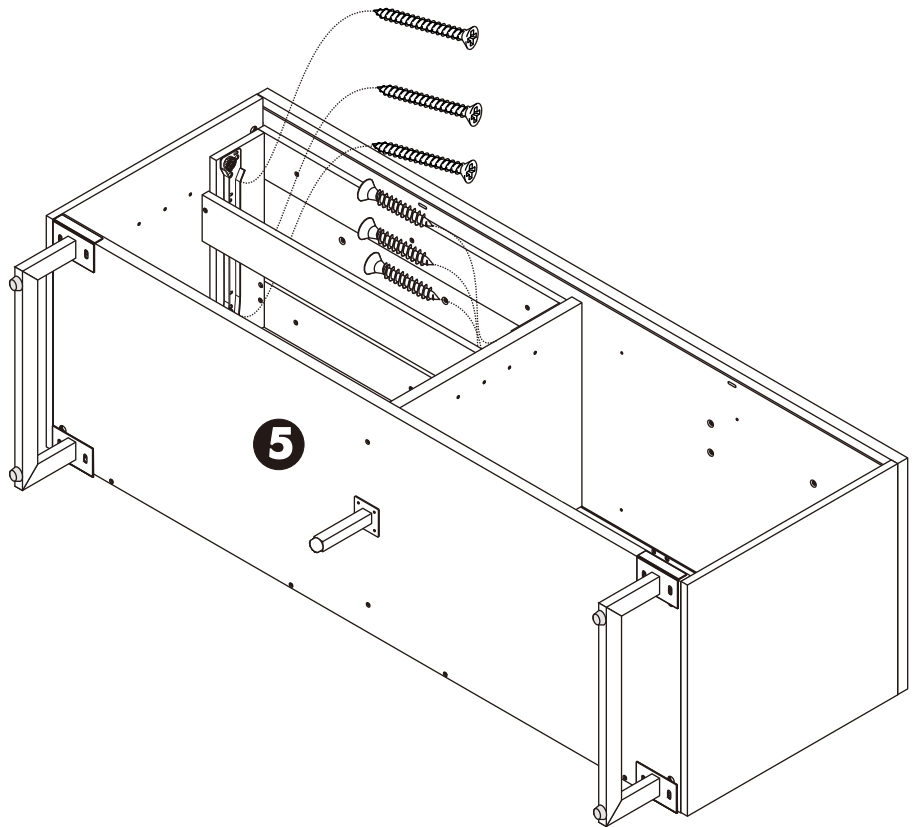
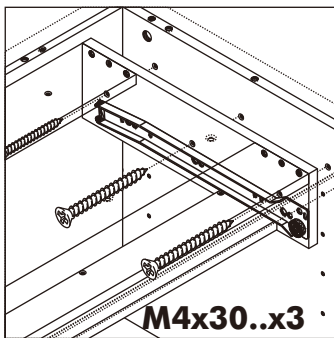
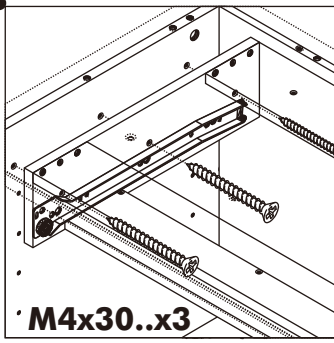
13.



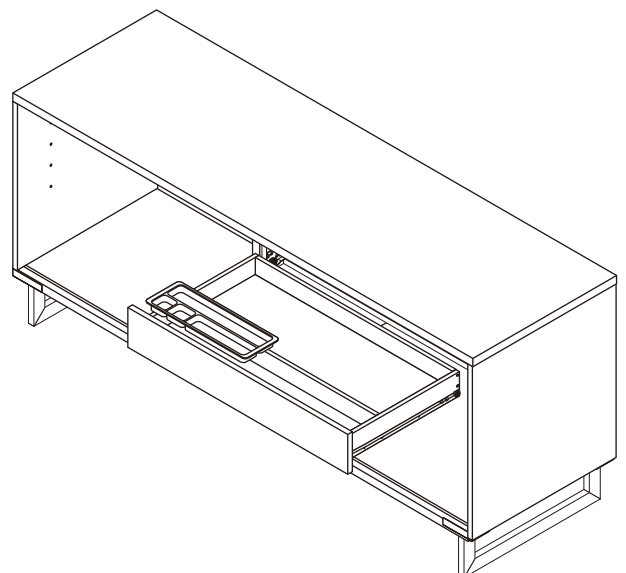
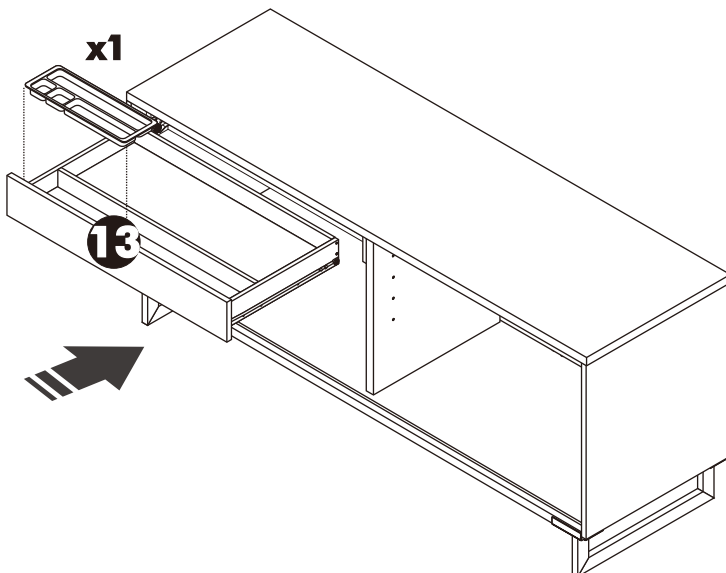
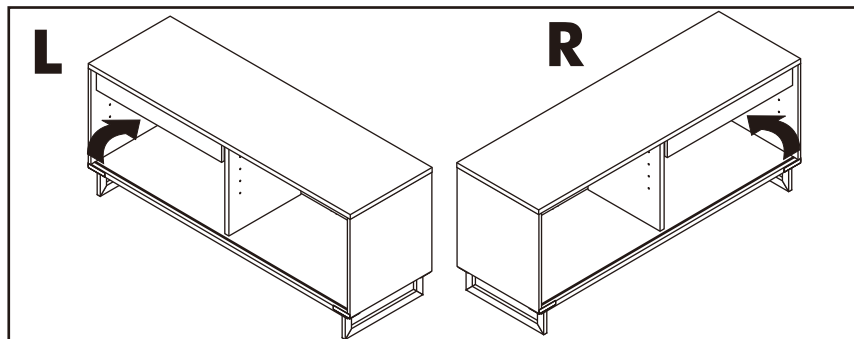
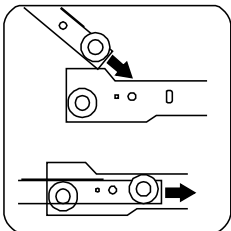
14.



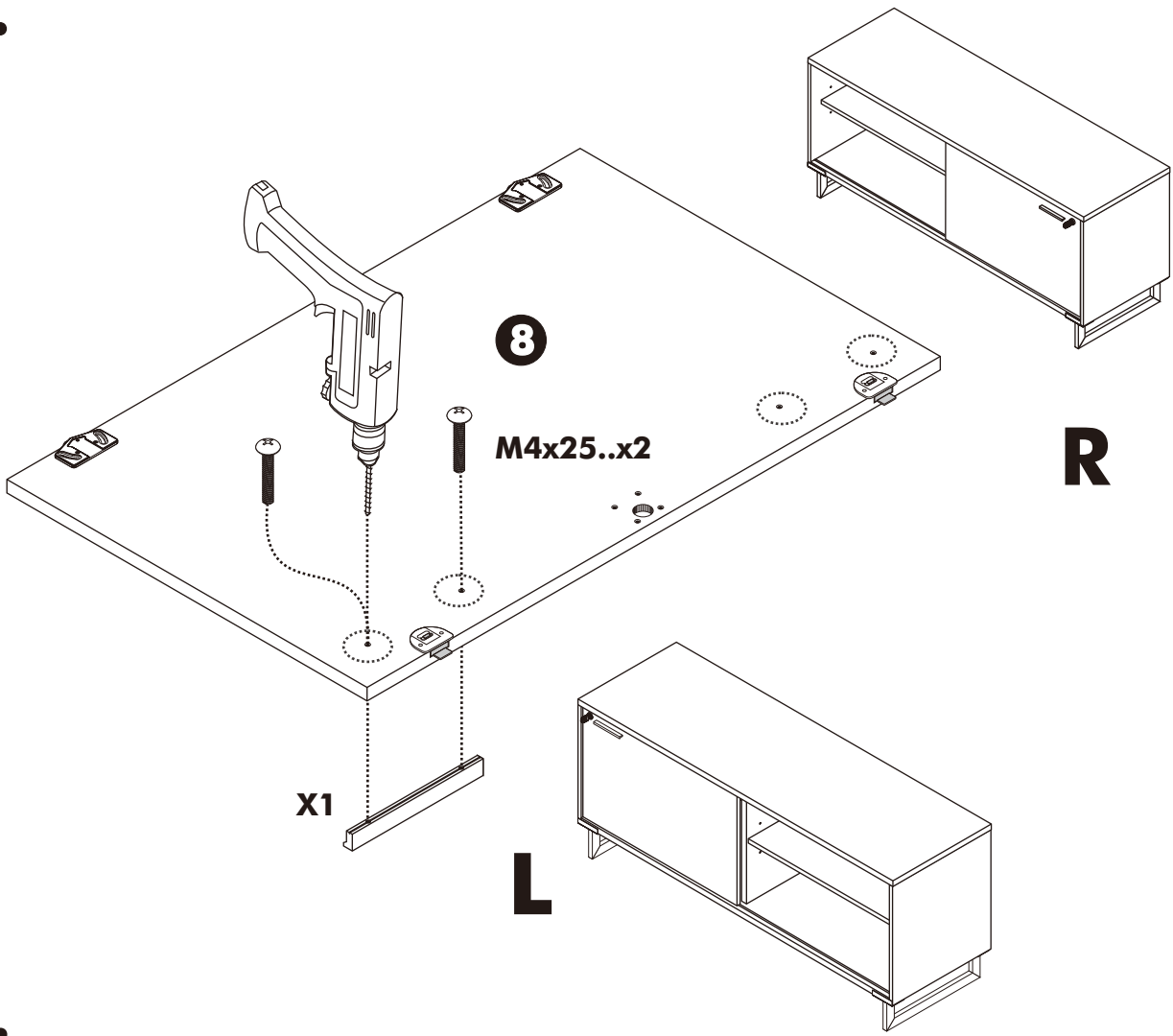
15.



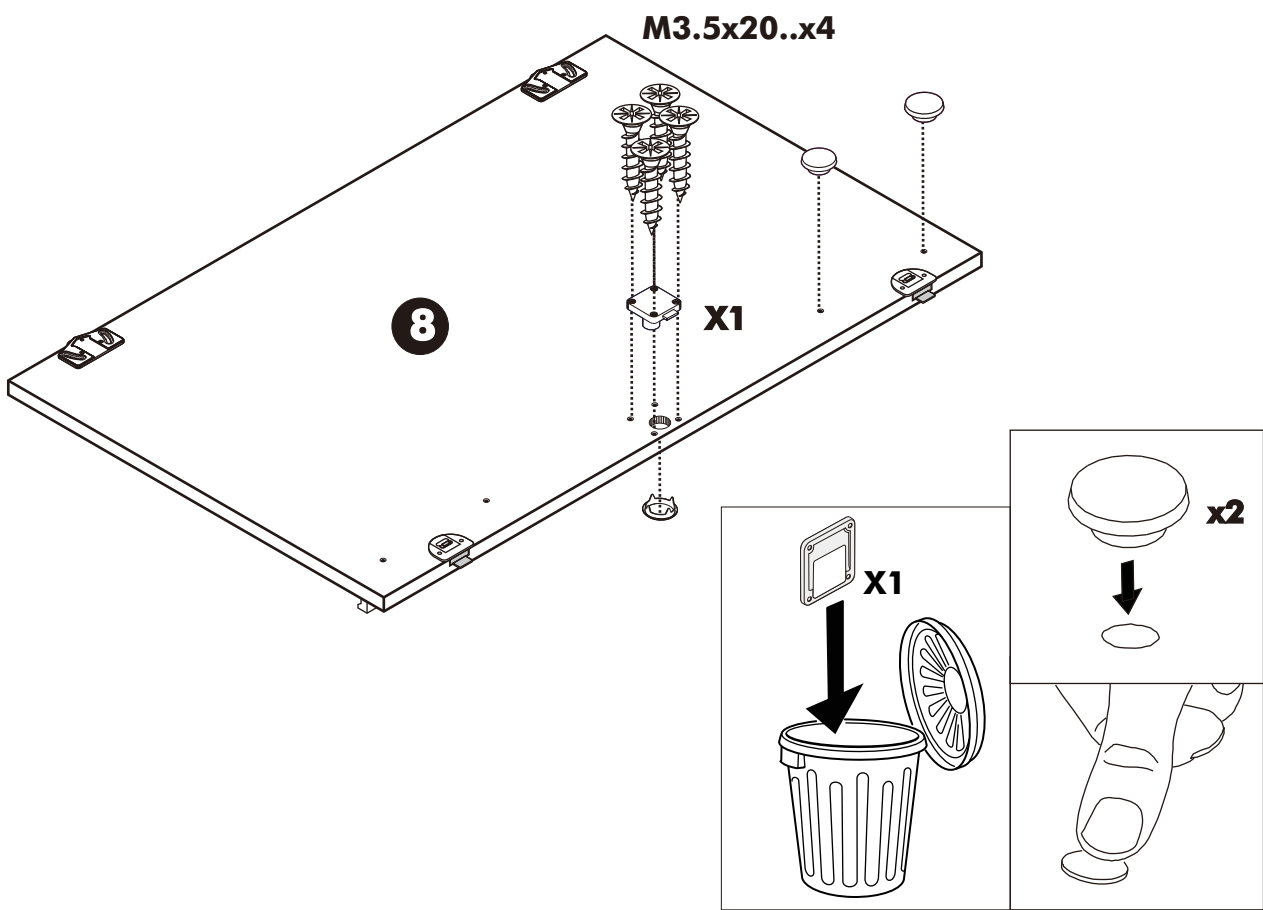
16.



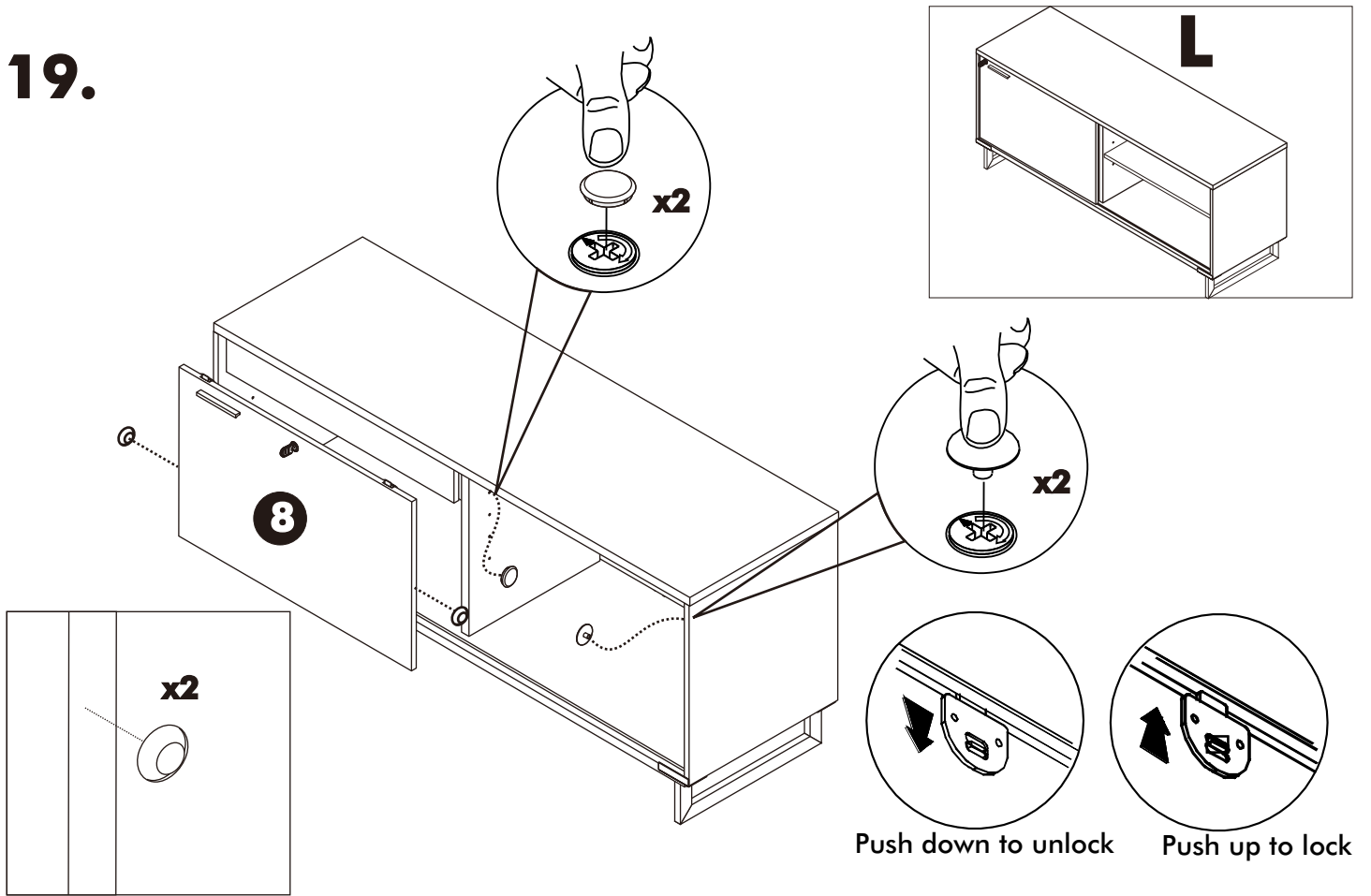
17.



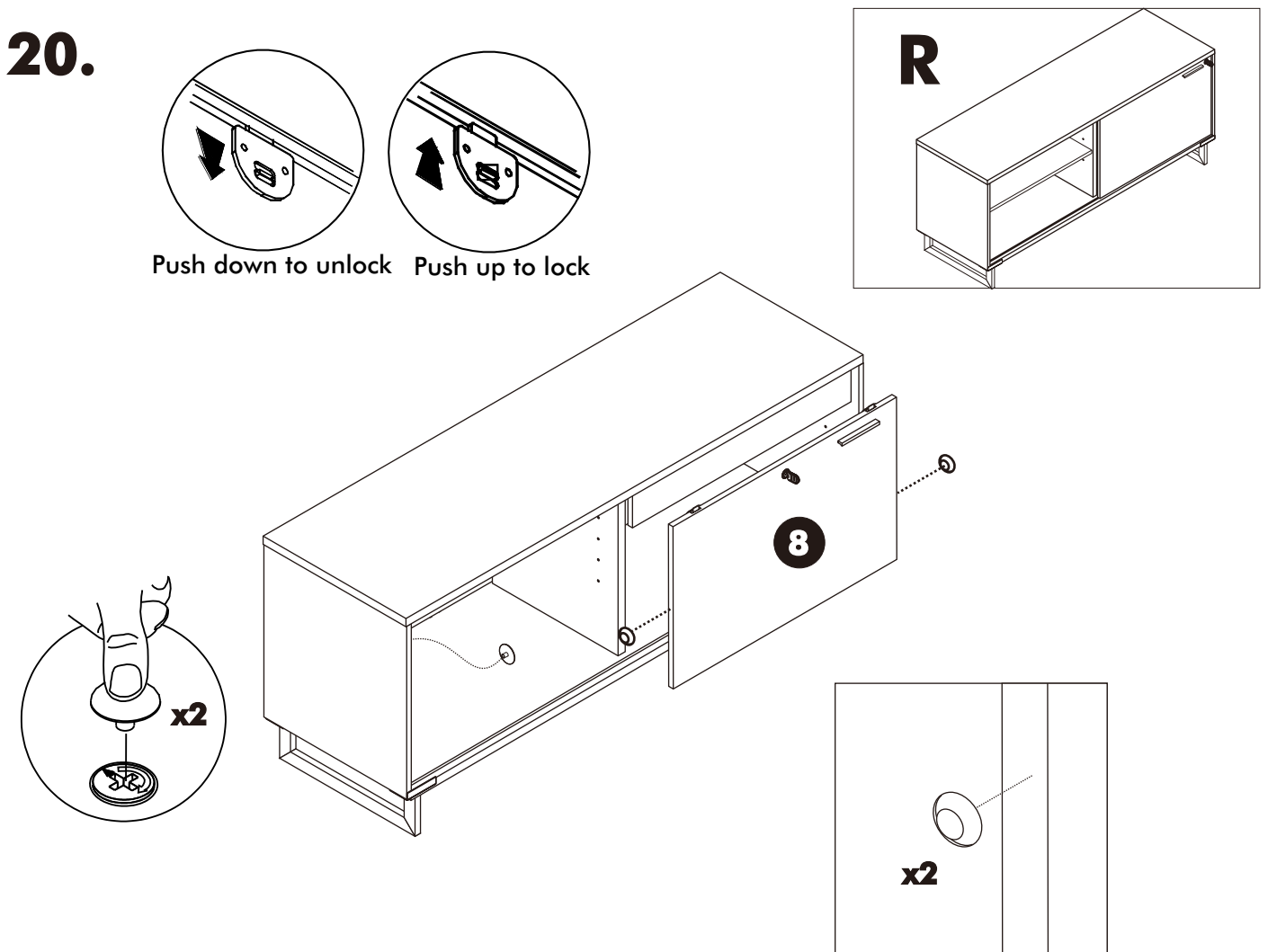
18.



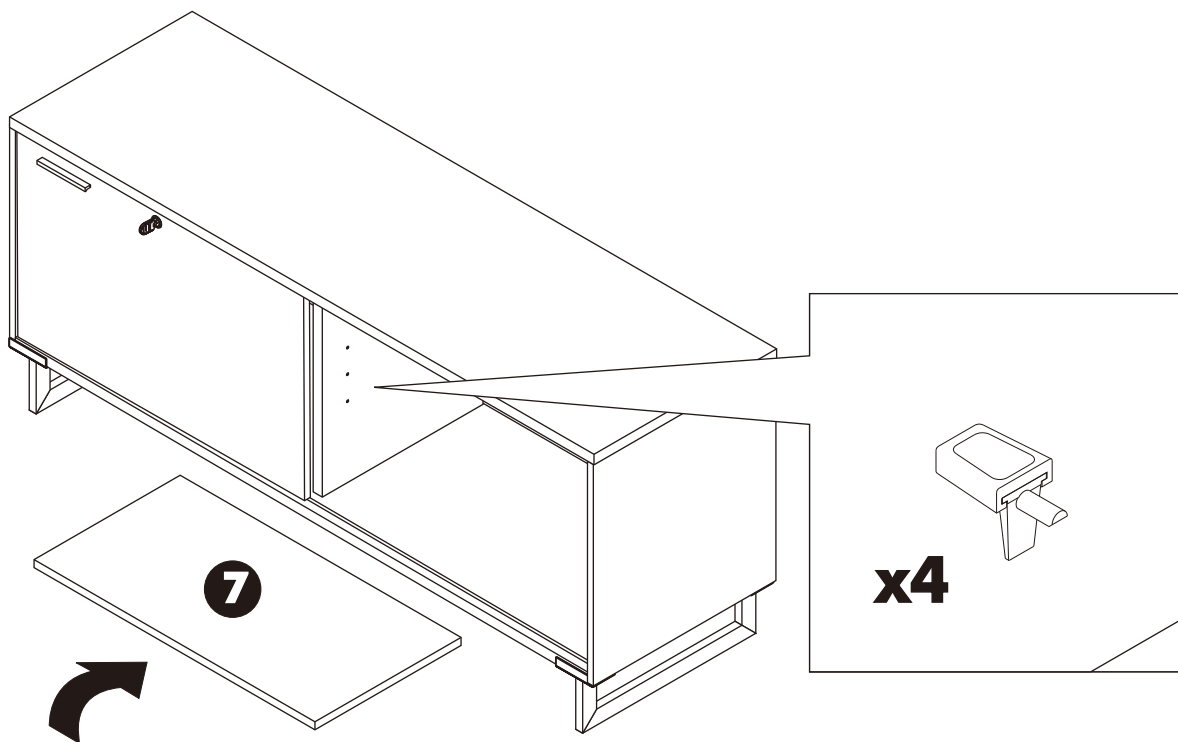
19.



20.



21.



AFTER FINISHED ASSEMBLY.

INCASE OF GAP BETWEEN DRAWERS ARE NOT ALIGN.
PLEASE ADJUST AS BELOW.

1. LOOSE SCREW A LITTLE BIT.
2. THEN MOVE FRONT DRAWER TO ALINGNMENT POSITION.
3. TIGHTEN SCREW.