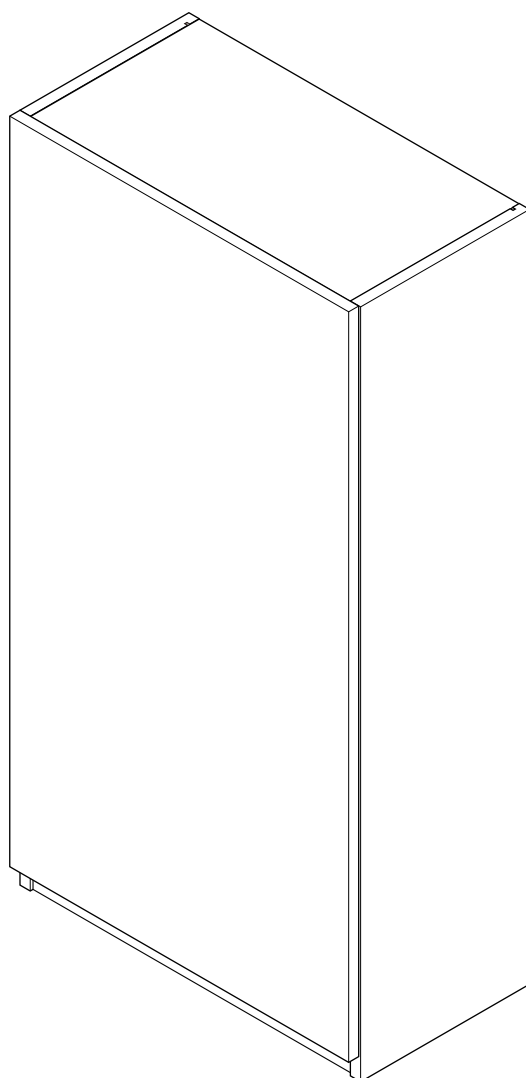


SUPREME

Shoe cabinet W60 cm.



CONNECT SYSTEM

1

2

(Connecting bolts)

3

WHEN FITTING CAMS
ENSURE STARTING POSITION IS CORRECT
BEFORE YOU INSERT CONNECTING BOLT
TURN CLOCKWISE UNTIL SECURE

 ↑ CORRECT	 WRONG
--------------------------------	------------------

1 Pc. $\leq 190\text{mm}$

2 Pcs. $\geq 191-850\text{mm}$

3 Pcs. $> 850-2000\text{mm}$

4 Pcs. $> 2001\text{mm}$

i

40mm.

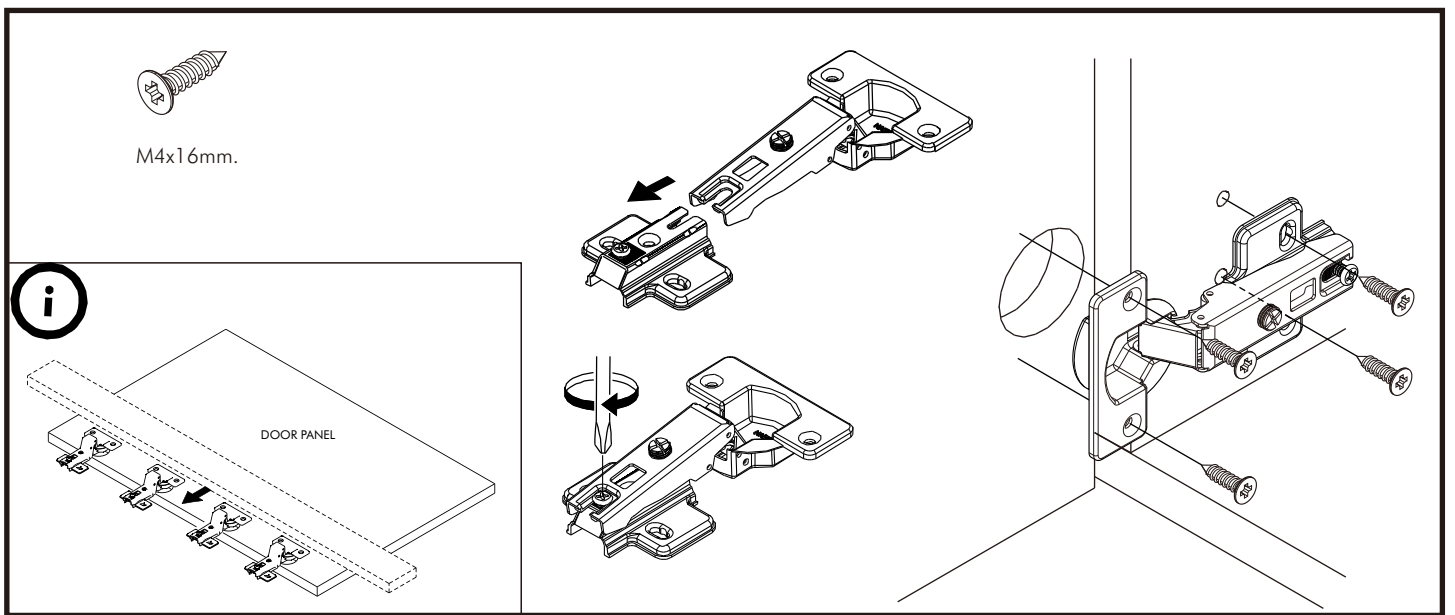
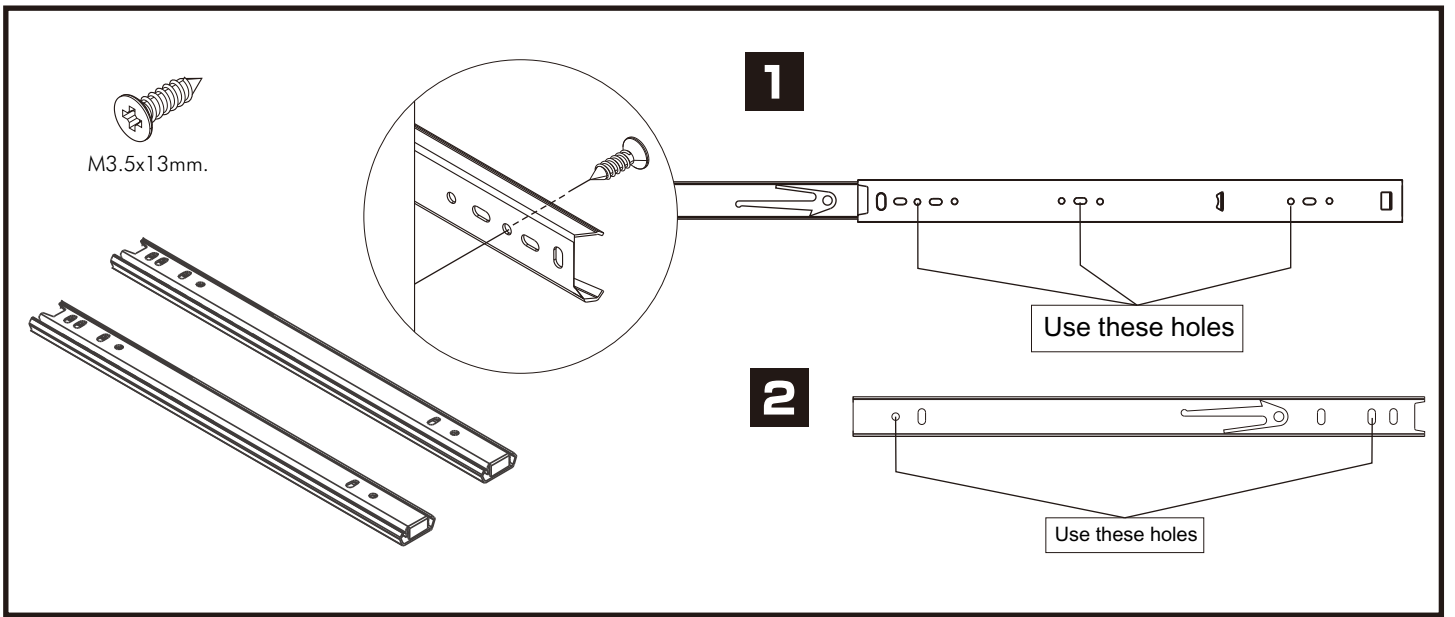
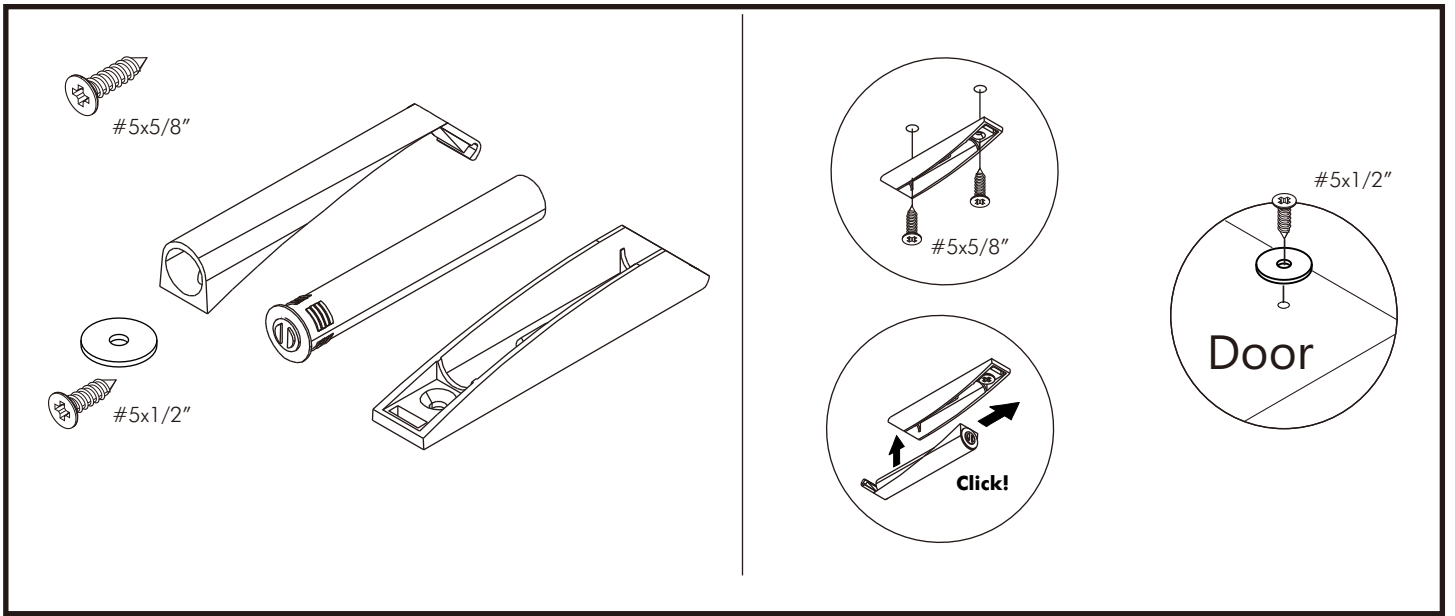
EQ

M4x16mm.

OUT

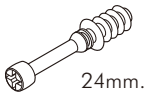
IN

M4x30mm.



HARDWARE

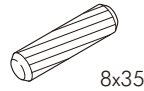
-BODY SET



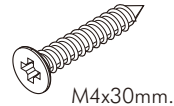
x 8



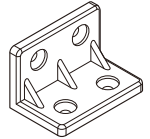
x 8



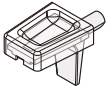
x 12



x 11



x 6



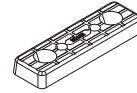
x 16



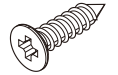
x 4



x 4

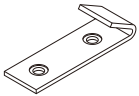


x 8

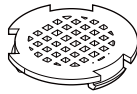


M4x16mm.

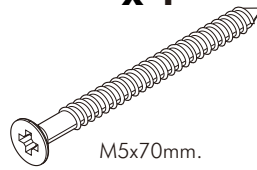
x 68



x 8

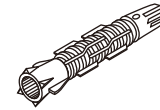


x 2

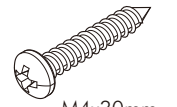


M5x70mm.

x 3

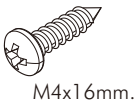


x 3



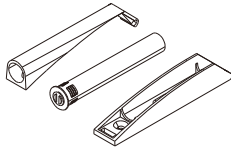
M4x30mm.

x 8



M4x16mm.

x 2

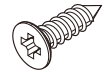


x 1 set



5x5/8"

x 2



5x1/2"

x 1

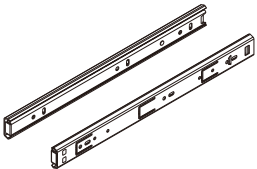


x 1



x 4

-DRAWER SET

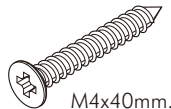


x 1 set



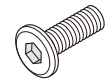
M3.5x13mm.

x 12



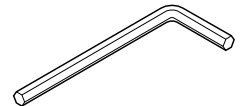
M4x40mm.

x 10



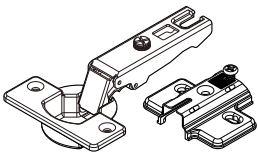
M6x23mm.

x 2

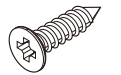


x 1

-DOOR SET



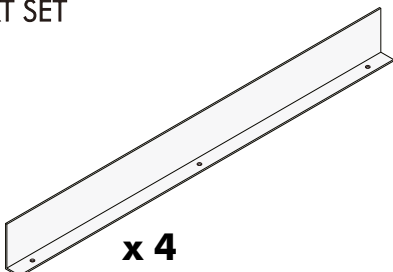
x 3/3



M4x16mm.

x 12

-PART SET

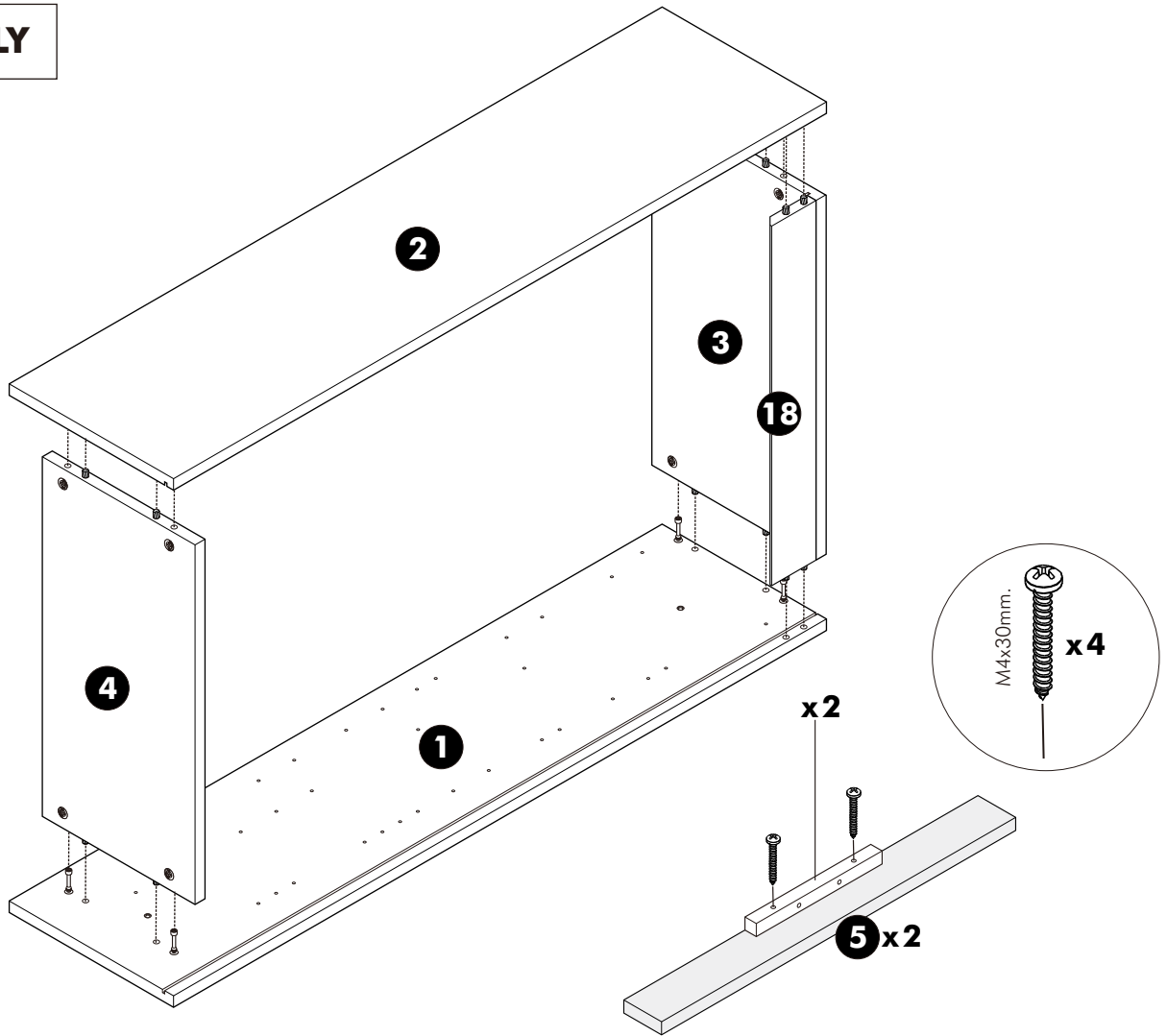


x 4

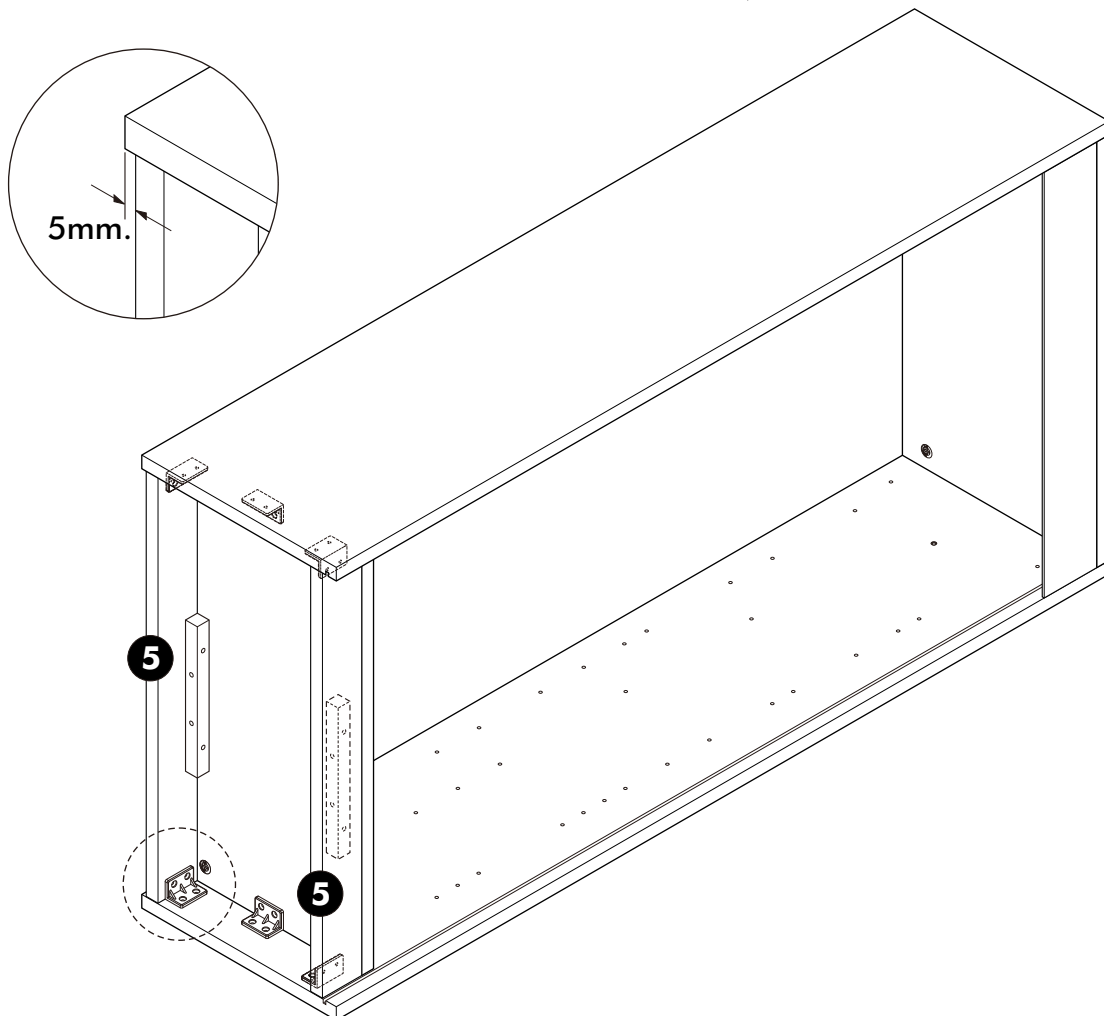
ASSEMBLY

-BODY SET

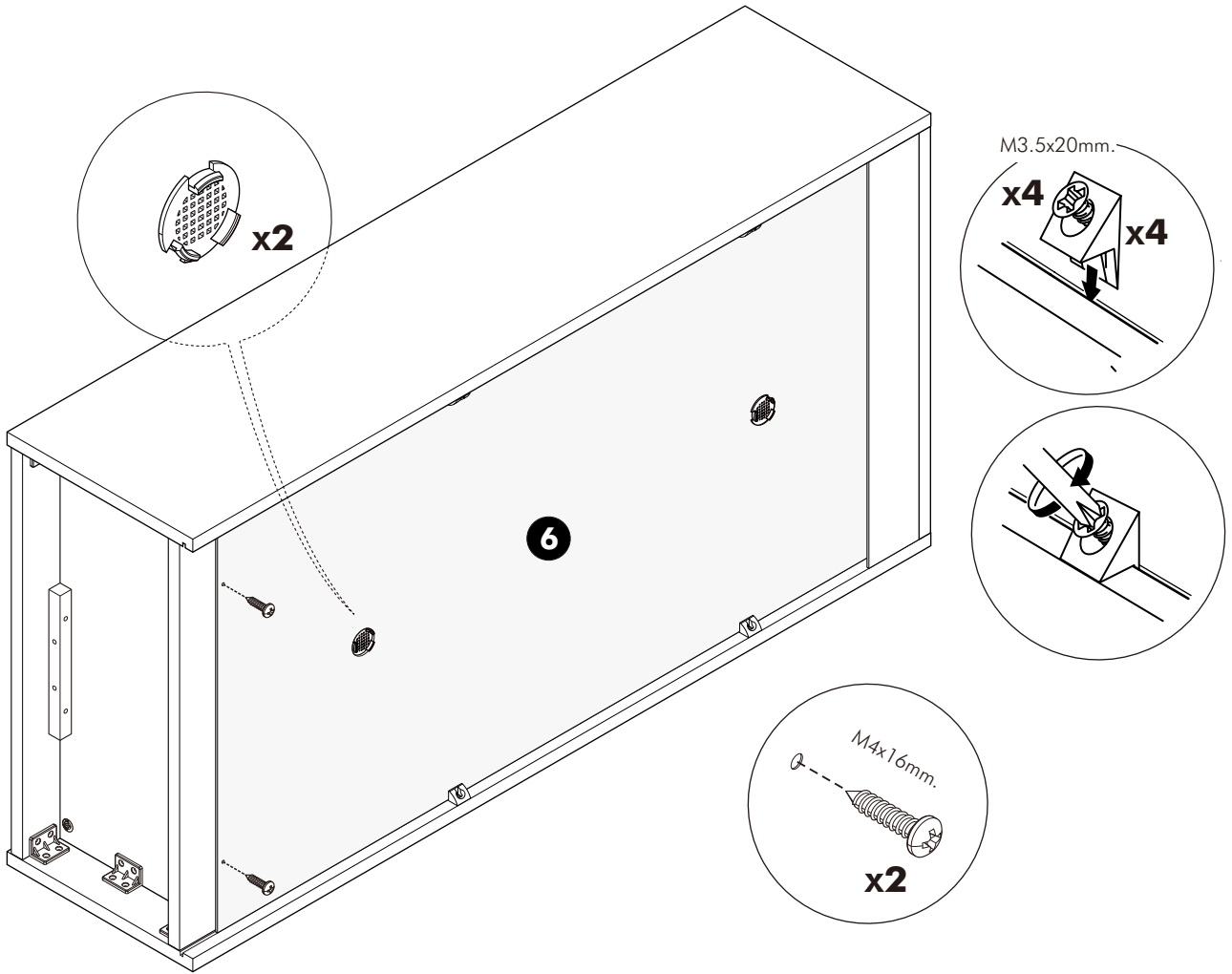
1.



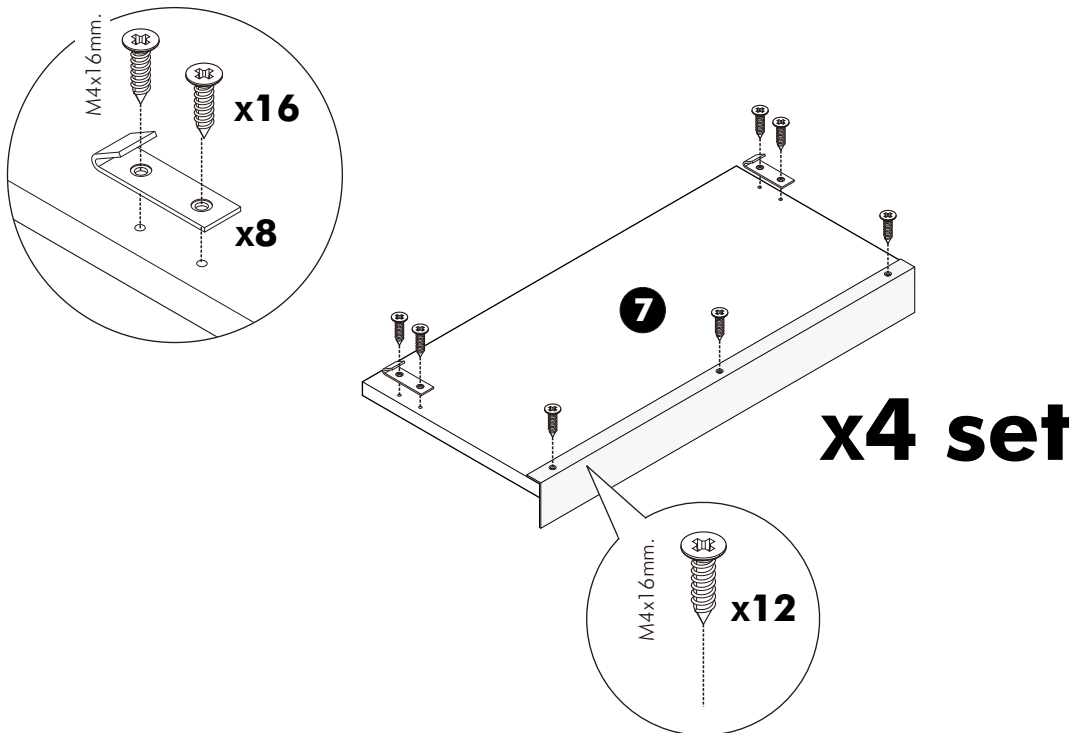
2.



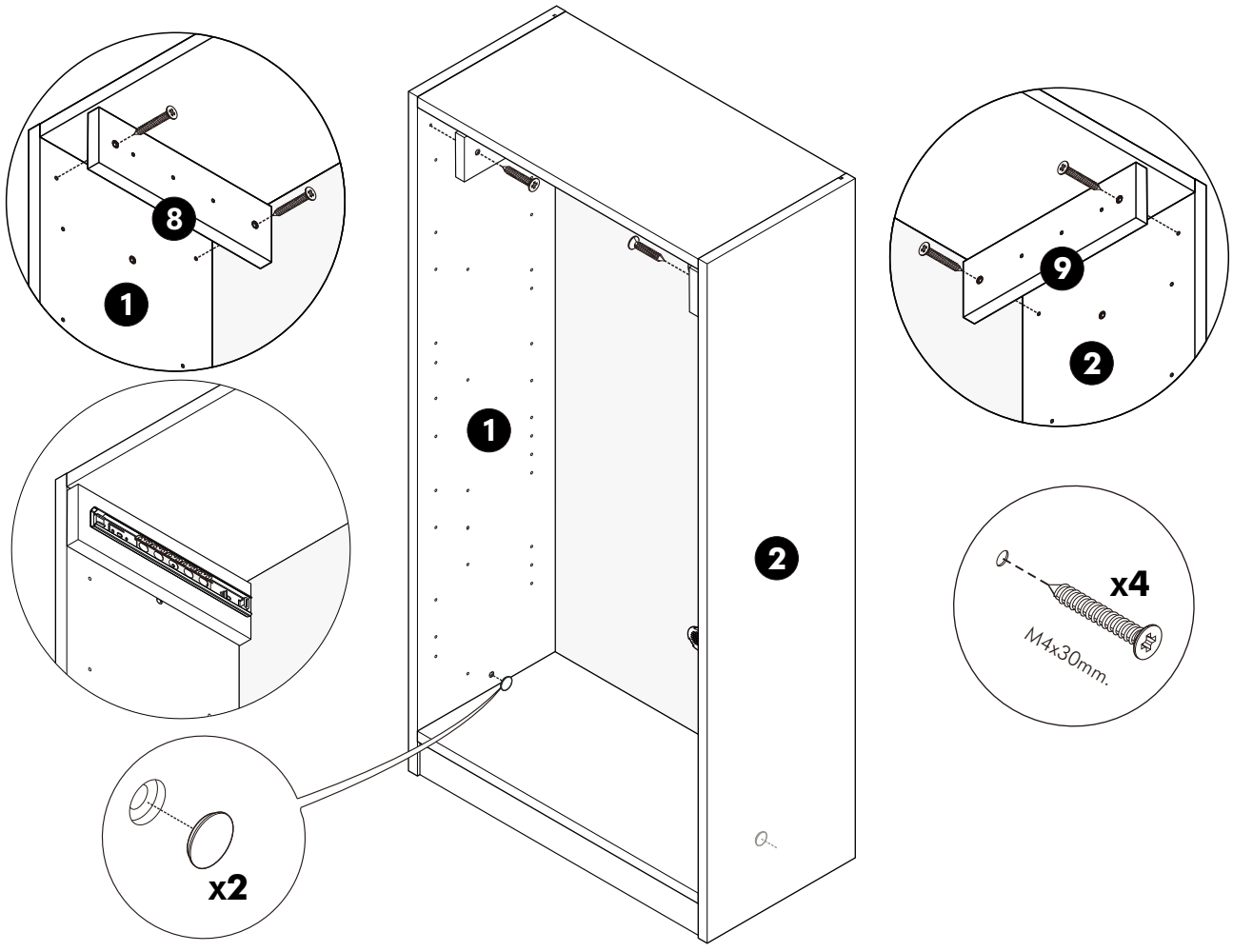
3.



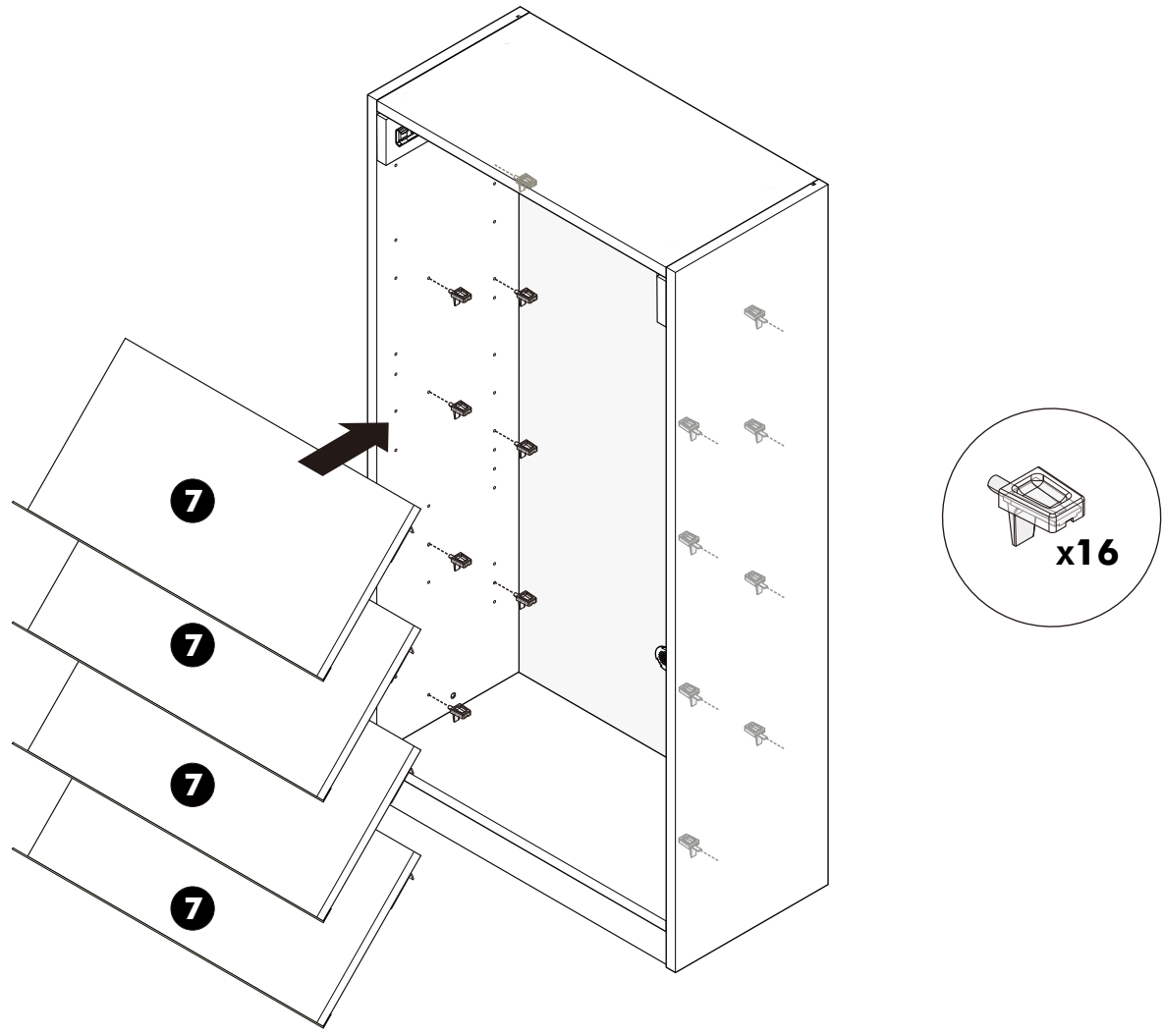
4.

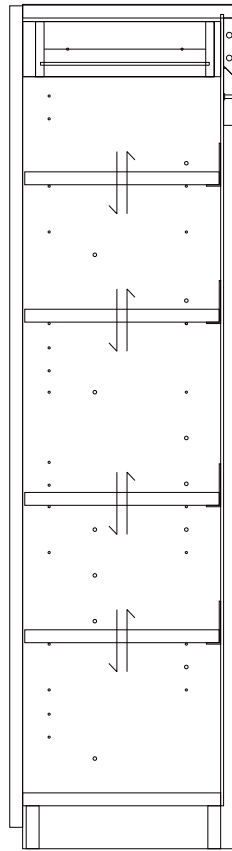
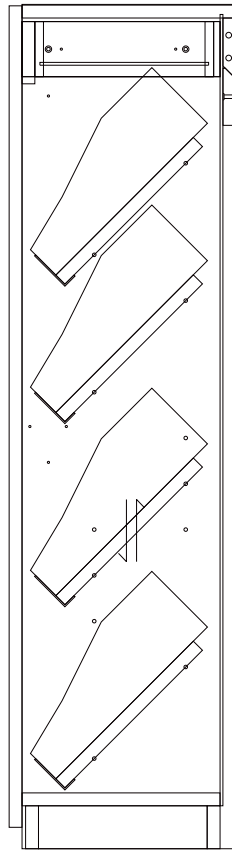


5.



6.

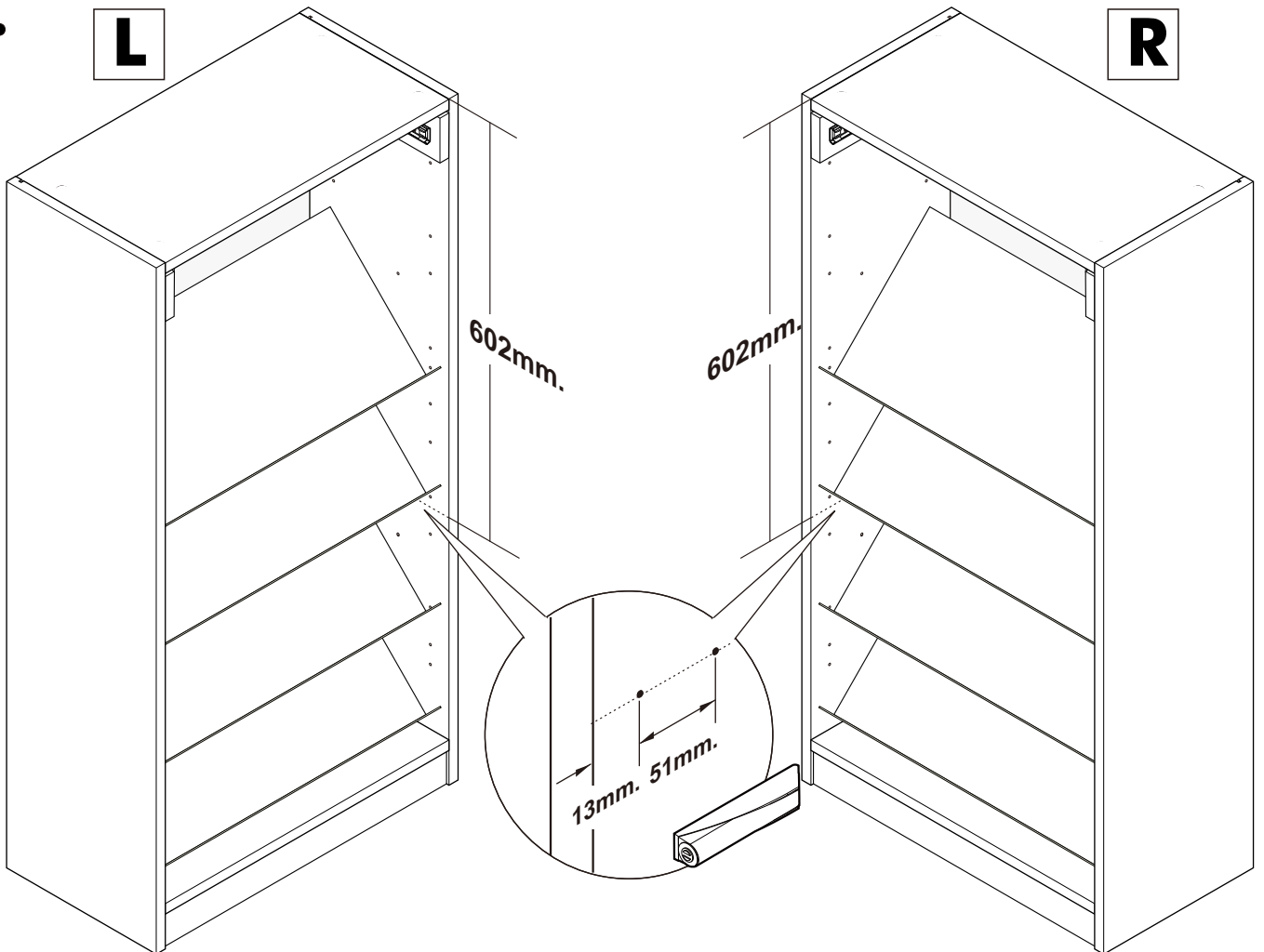




7.

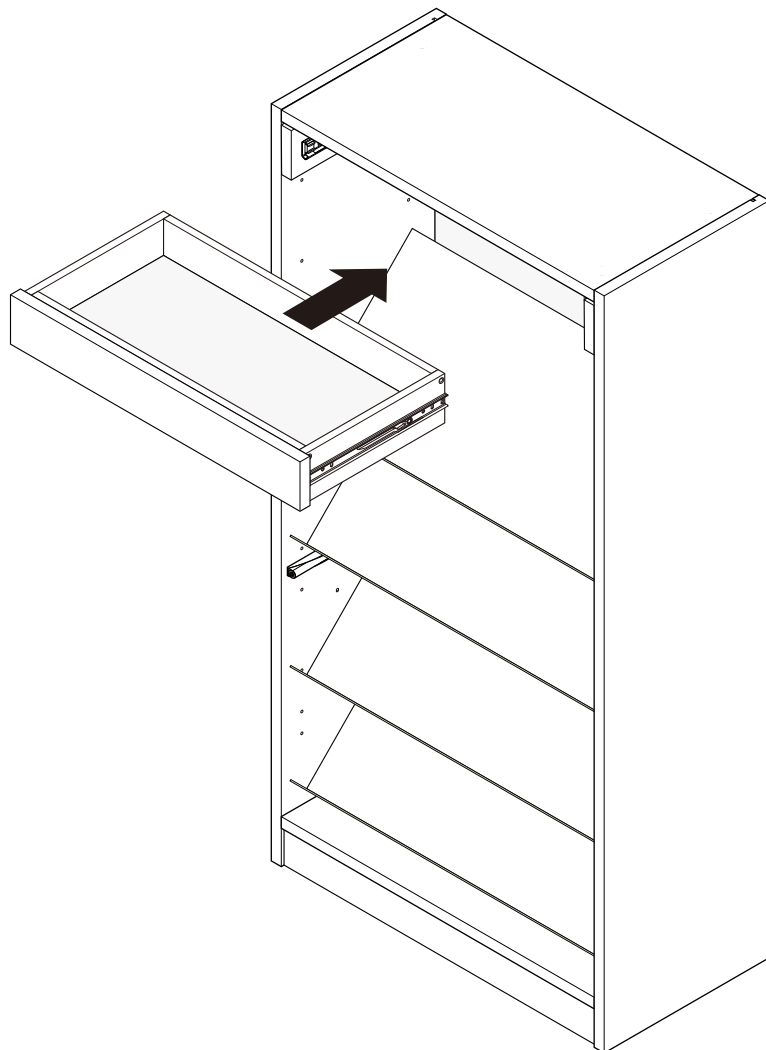
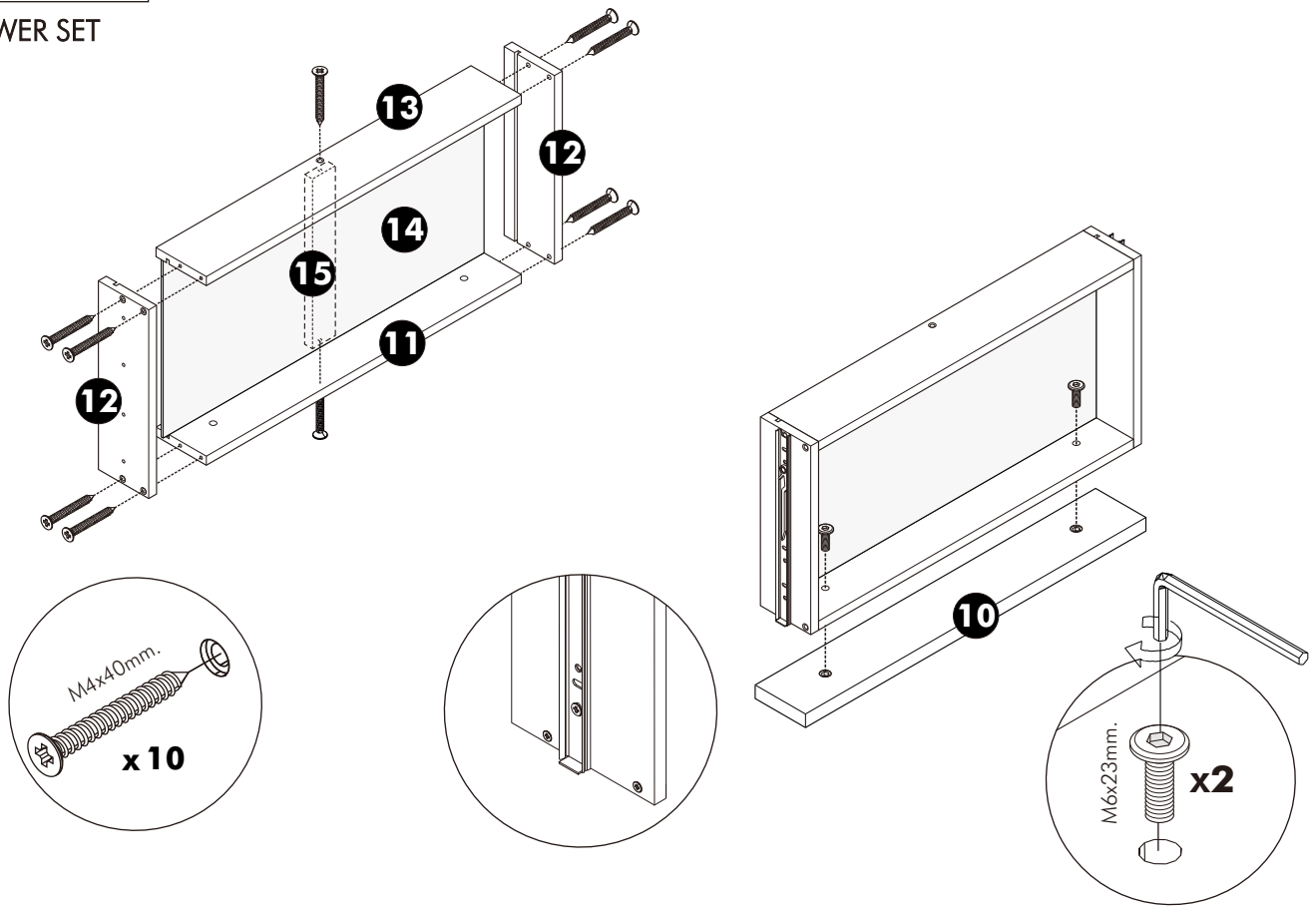
L

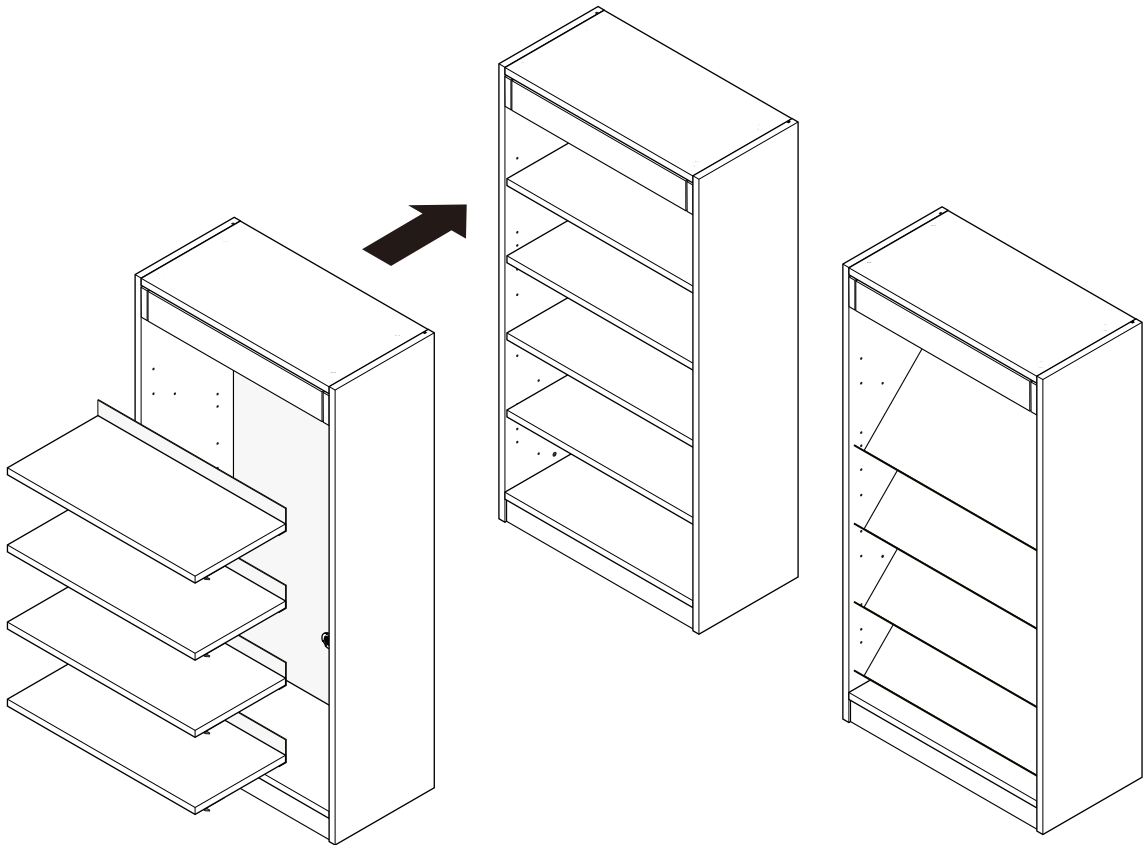
R



ASSEMBLY

-DRAWER SET

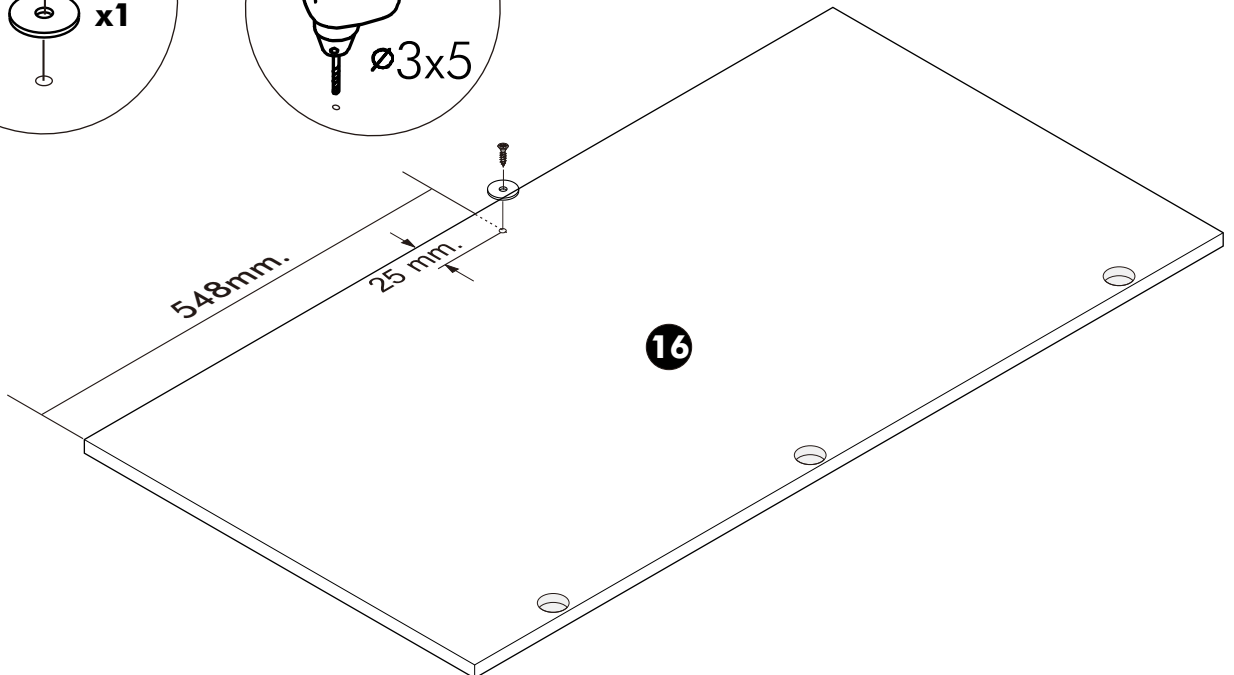
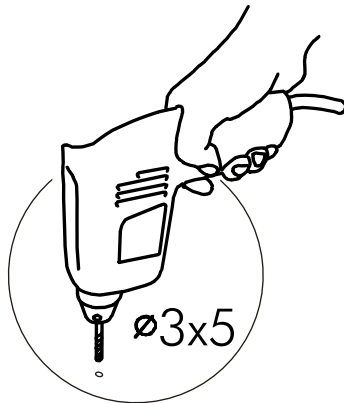
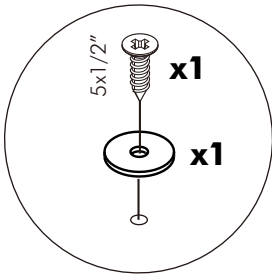




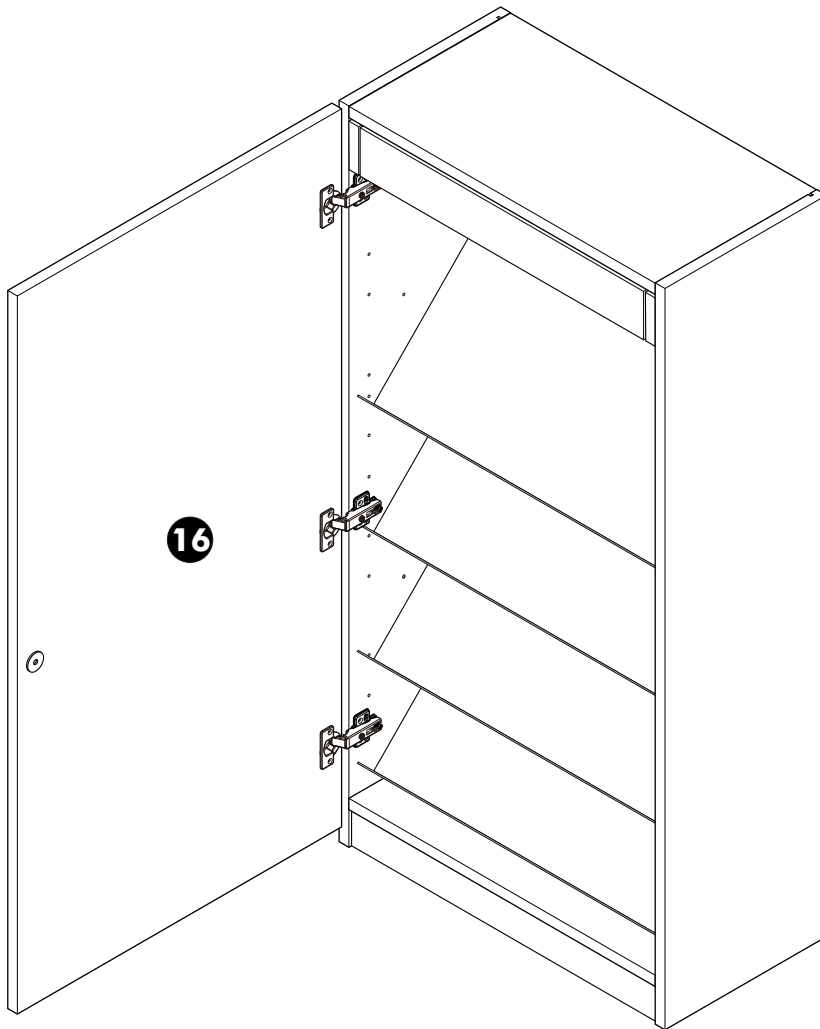
ASSEMBLY

-DOOR SET

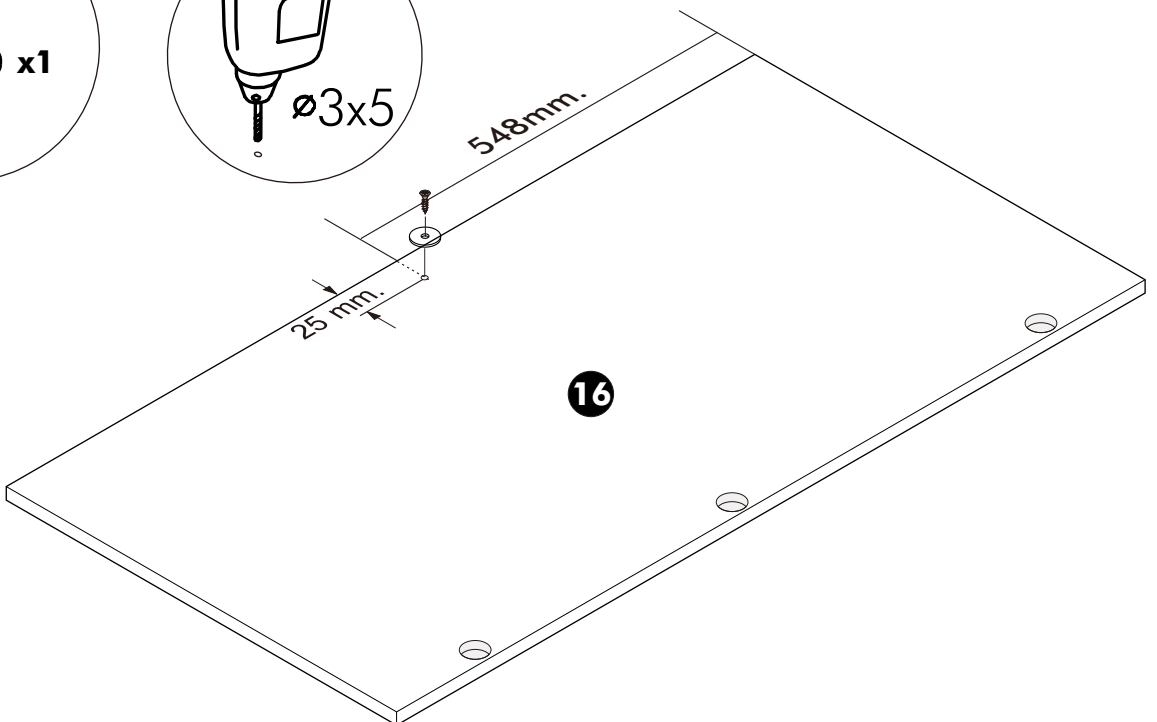
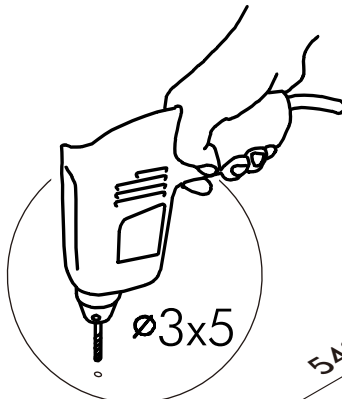
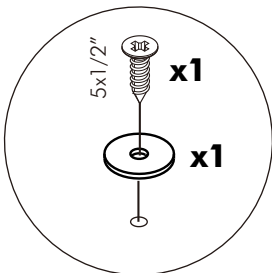
L



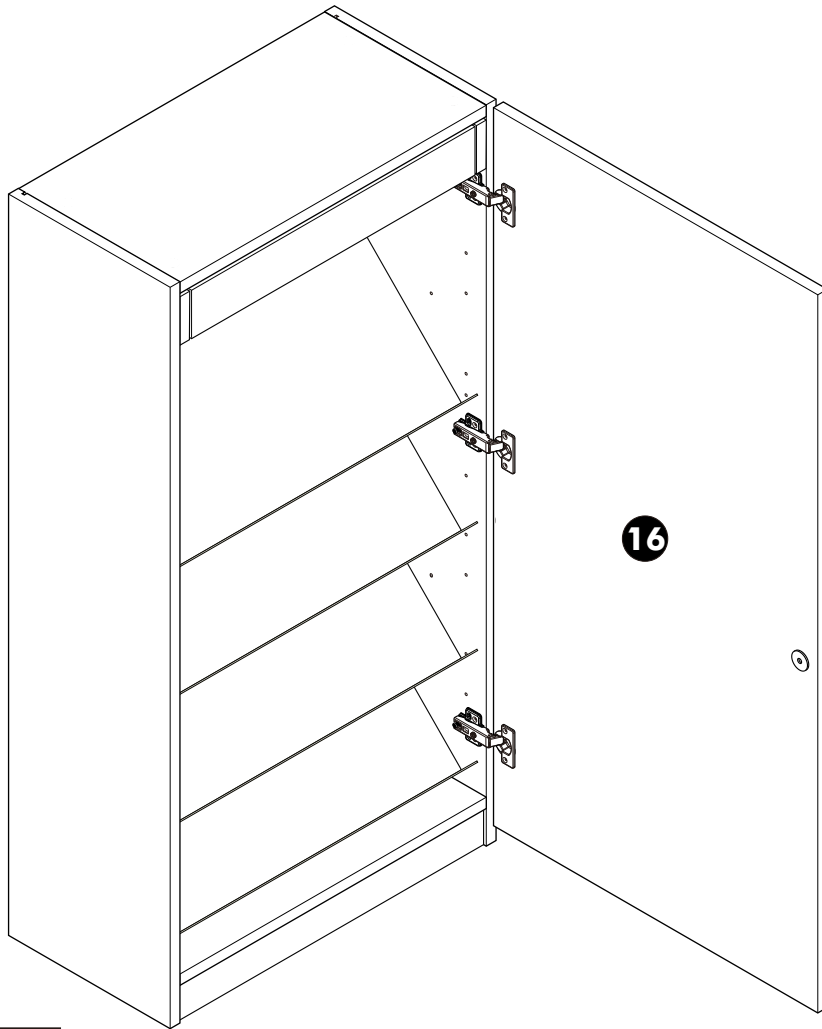
L



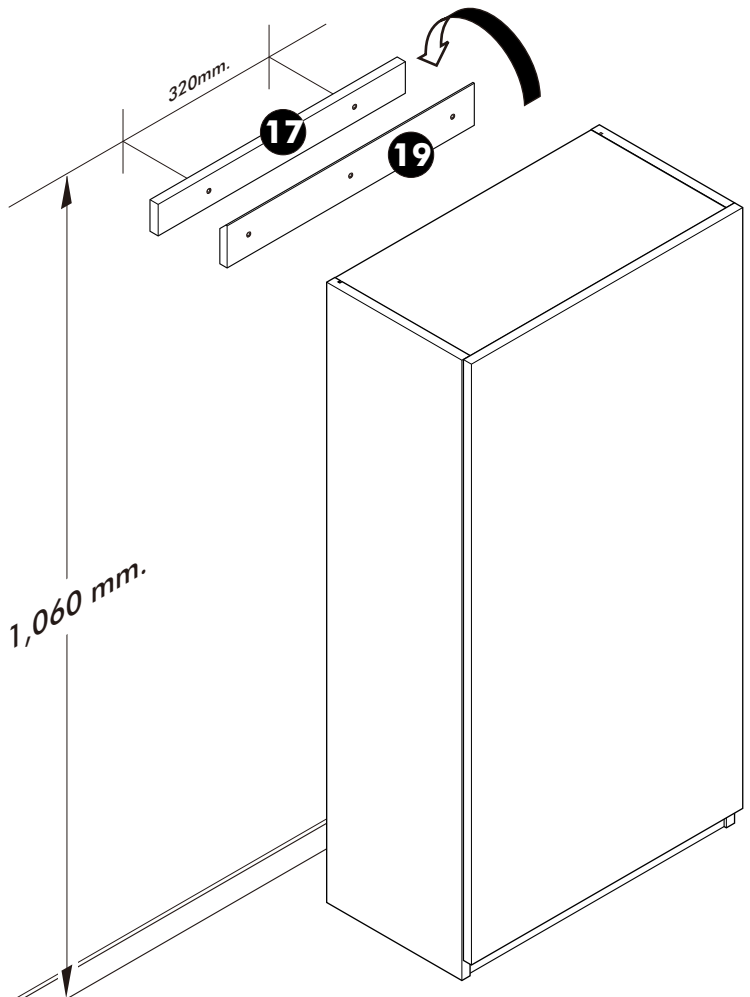
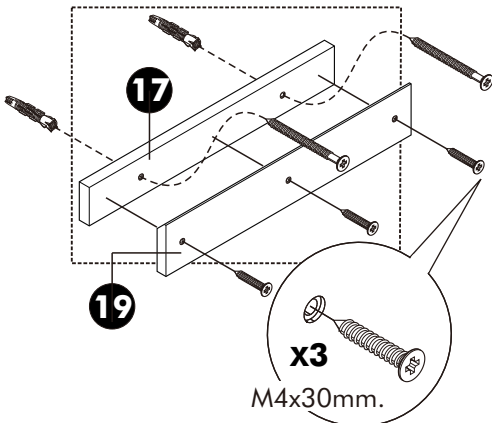
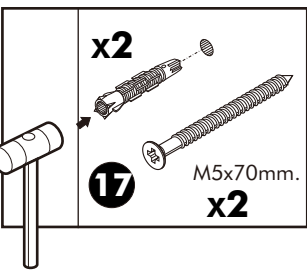
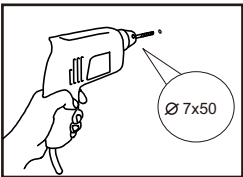
R



R



Function:1



Function:2

