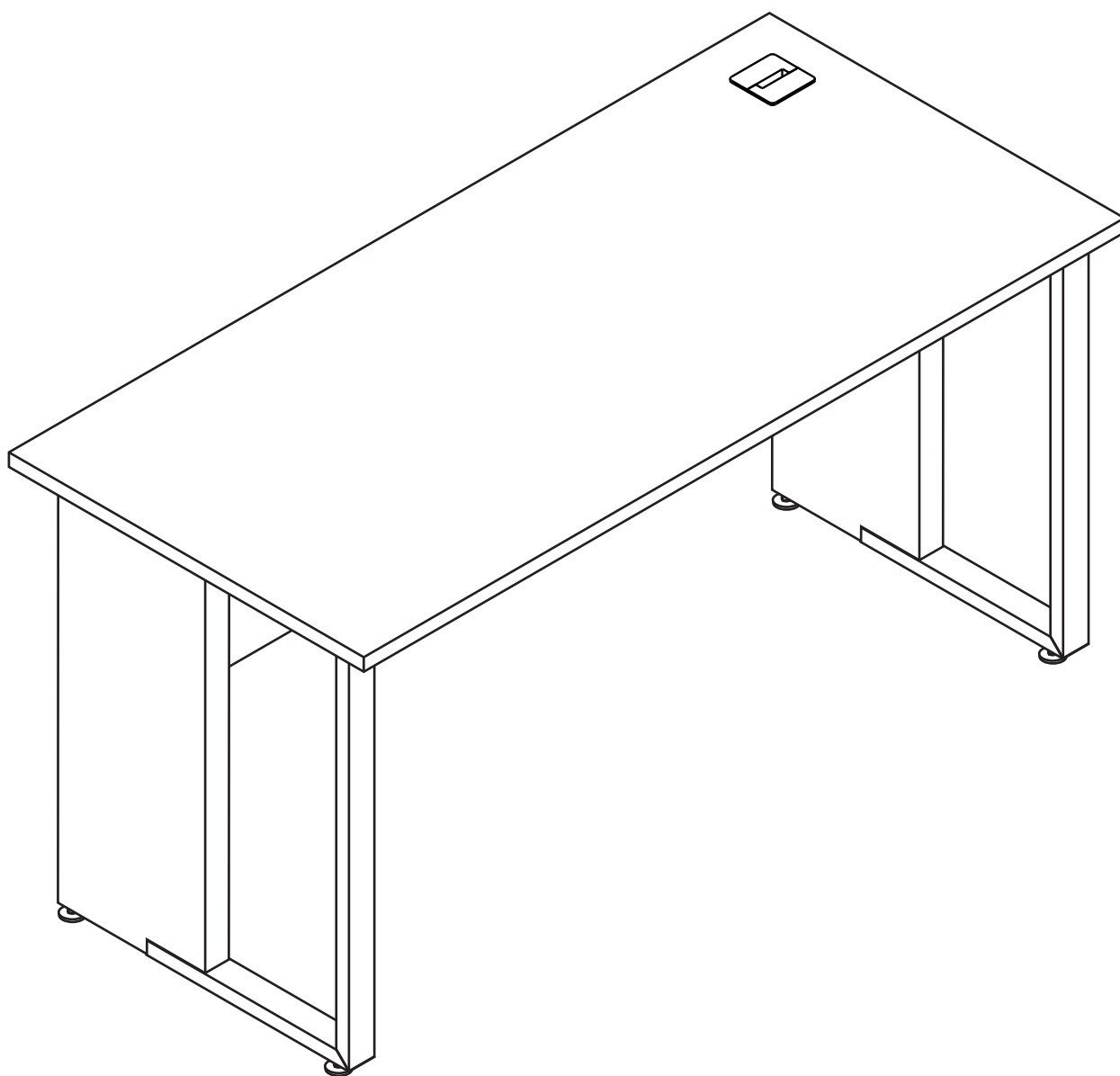
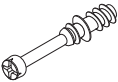


VECTRA-P

Working table 150 cm.



HARDWARE

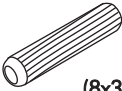


x 10



19mm.

x 10

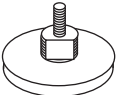


(8x35)

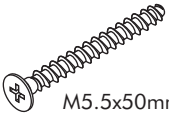
x 11



x 10



x 4



M5.5x50mm.

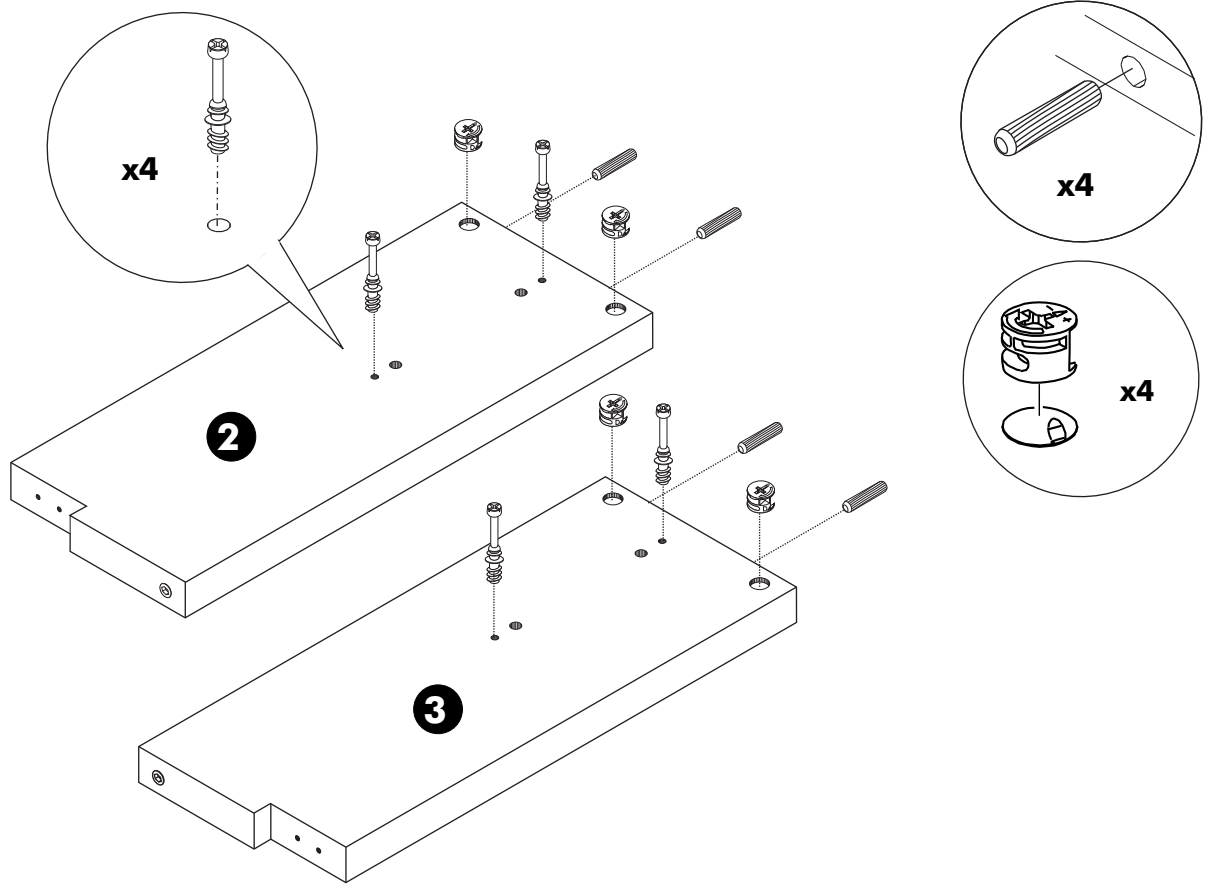
x 4



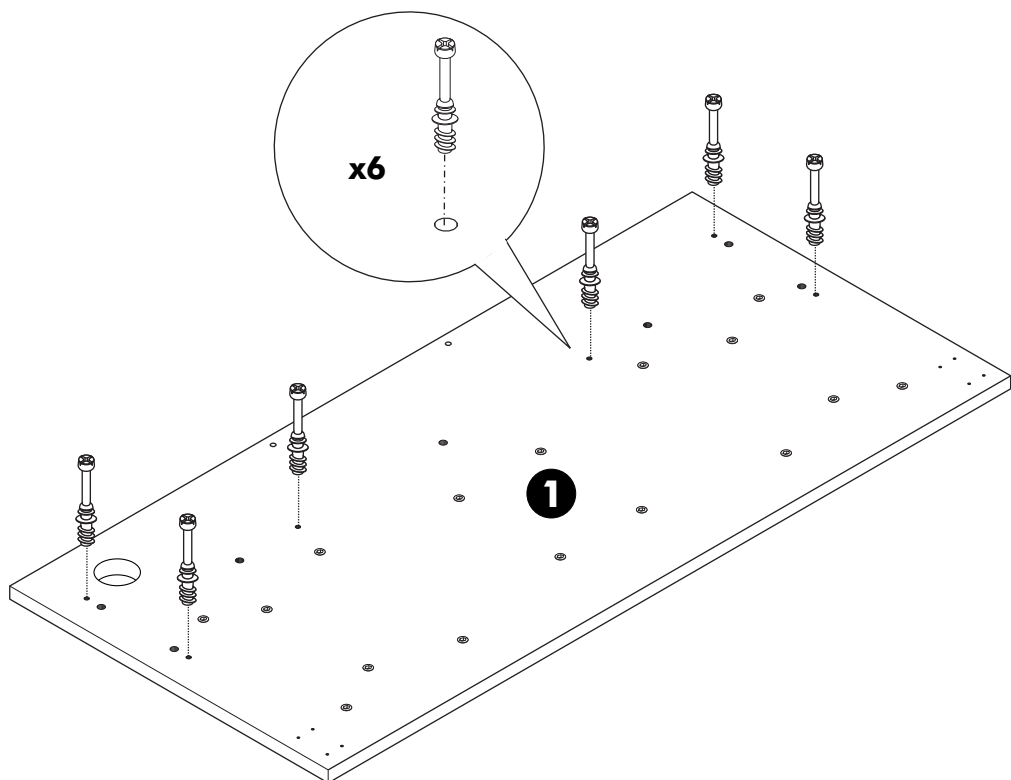
M4x16mm.

x 8

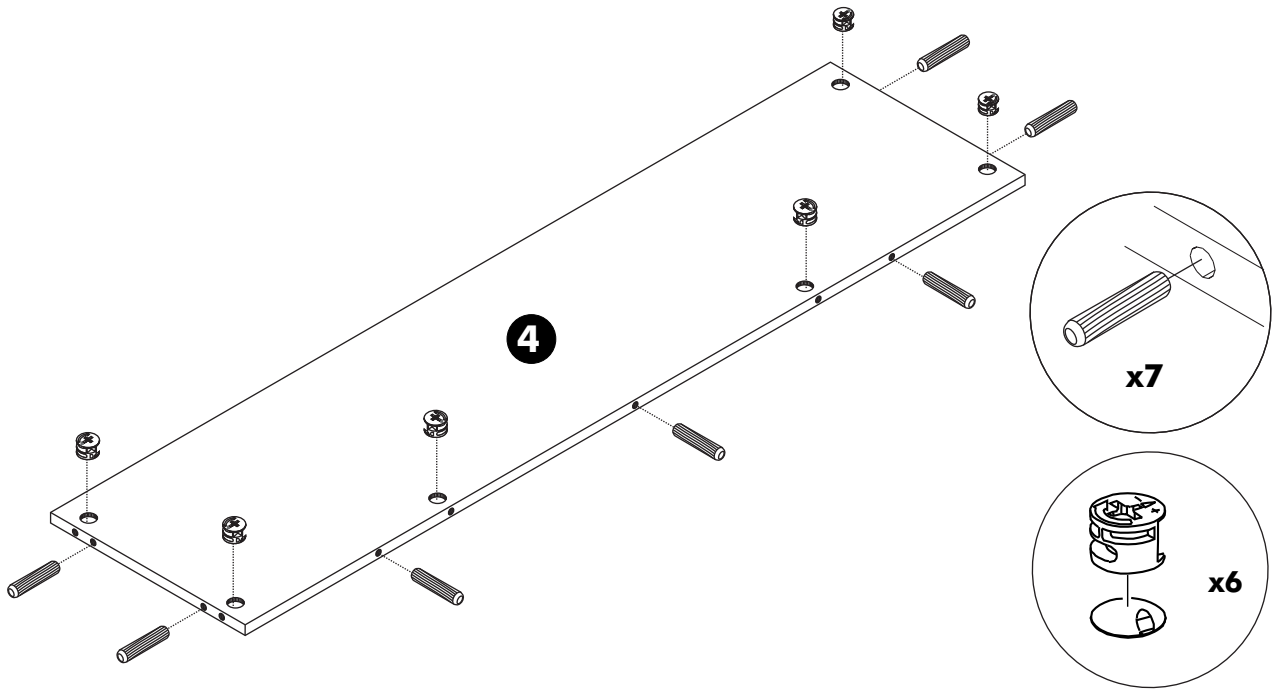
1.



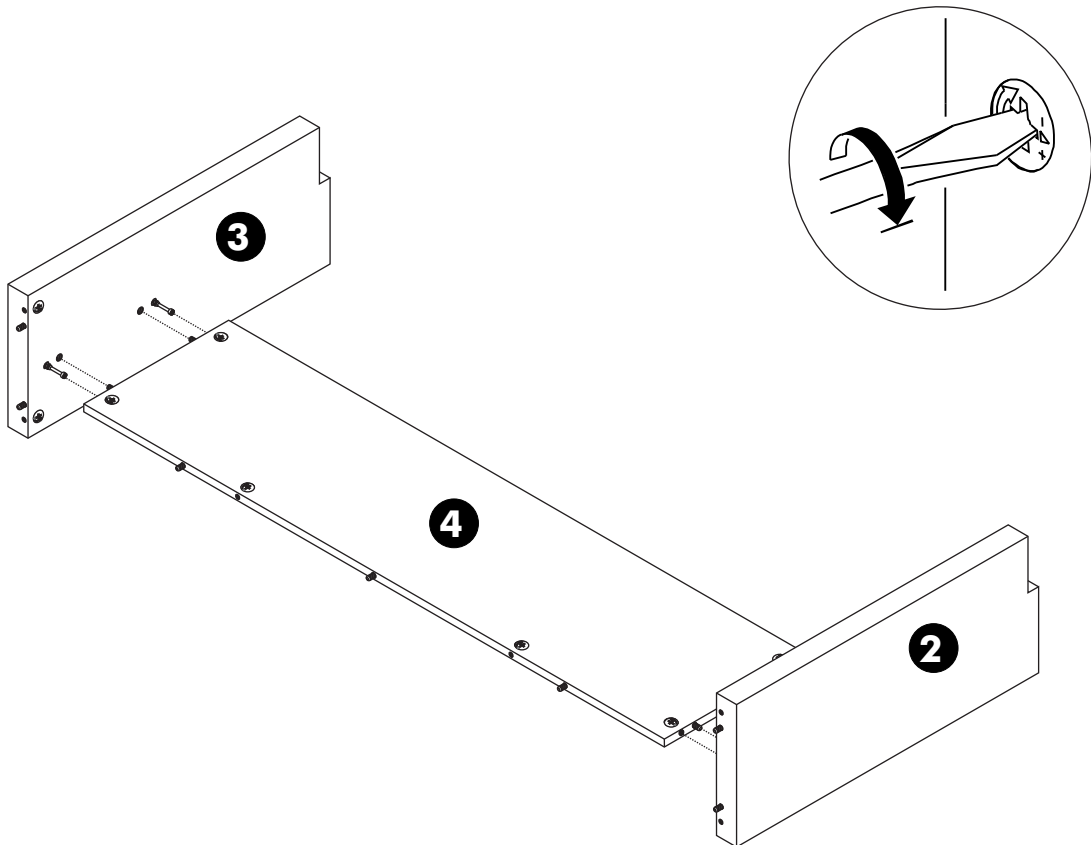
2.



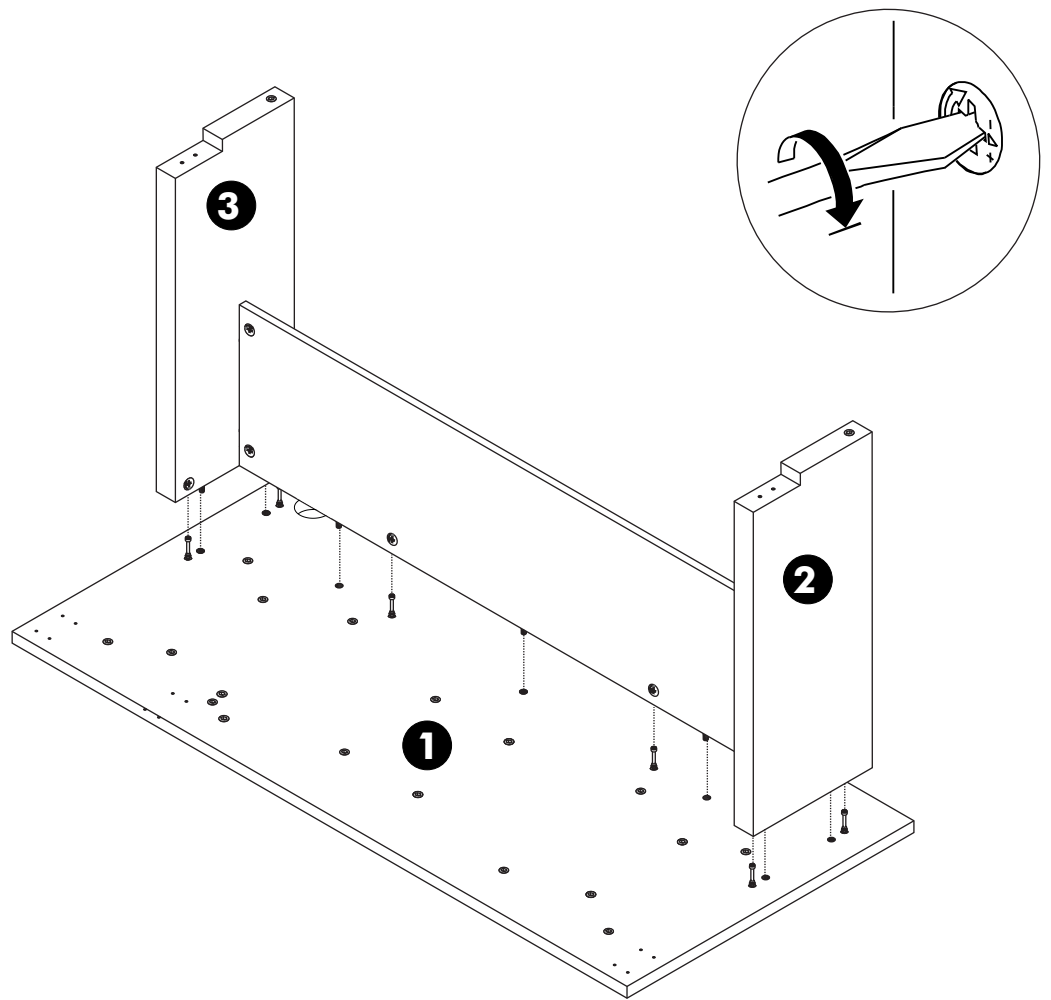
3.



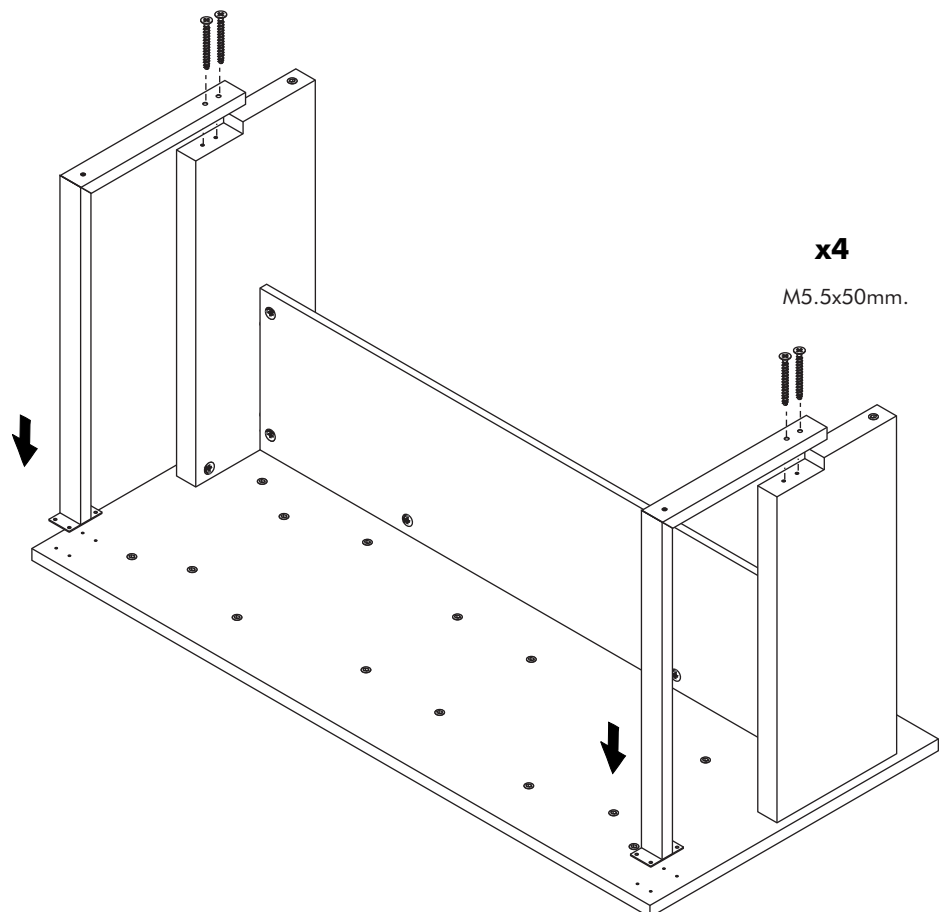
4.



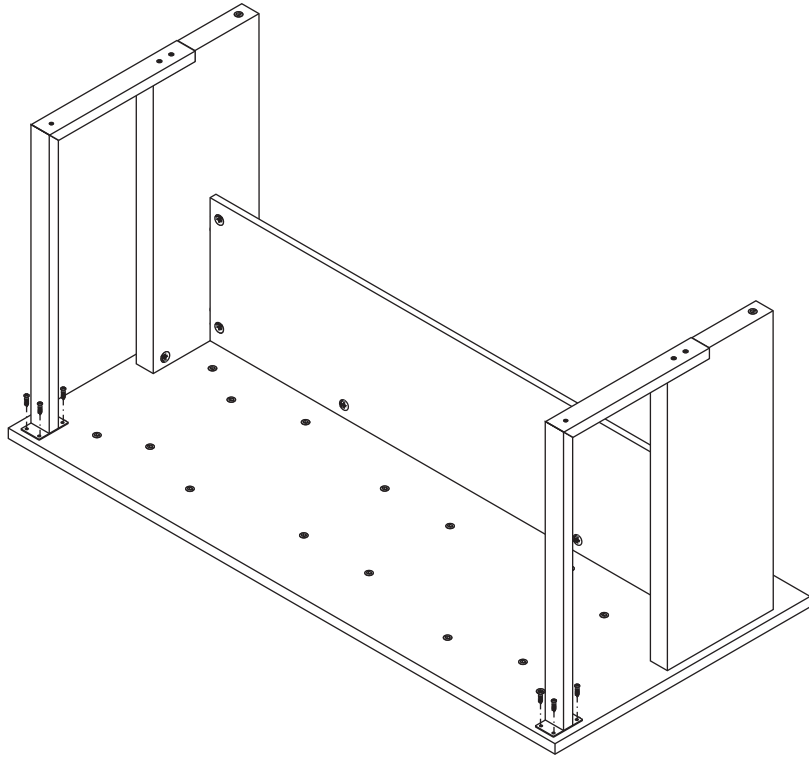
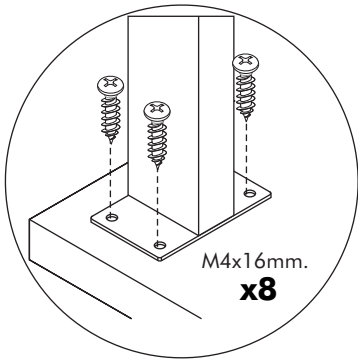
5.



6.



7.



8.

