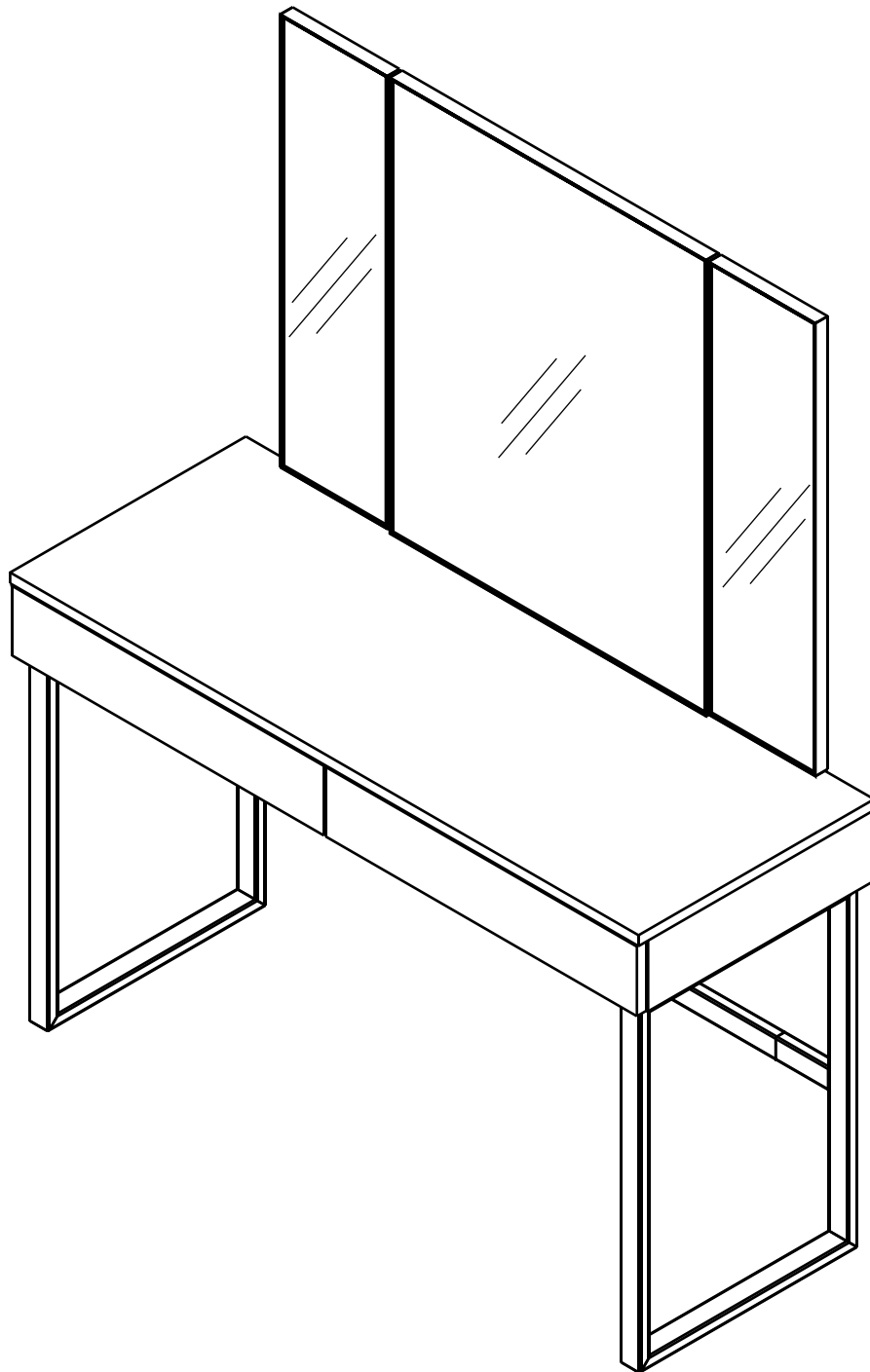
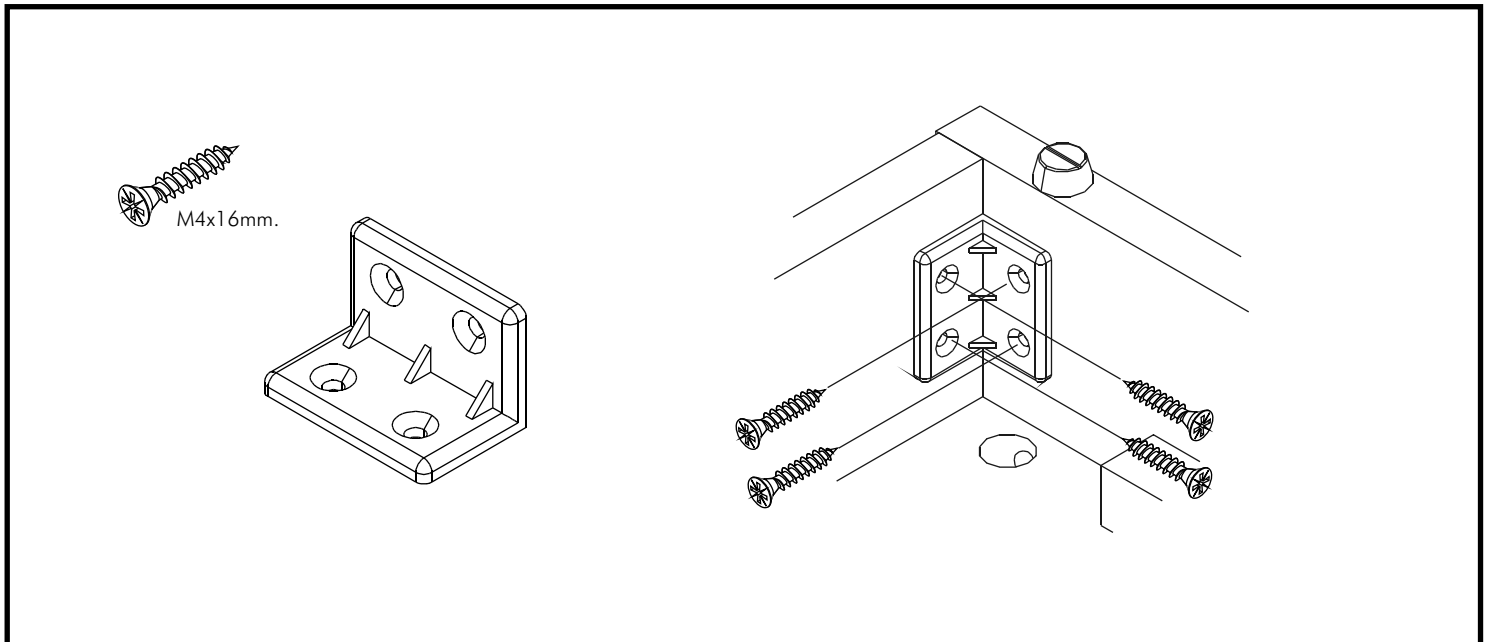
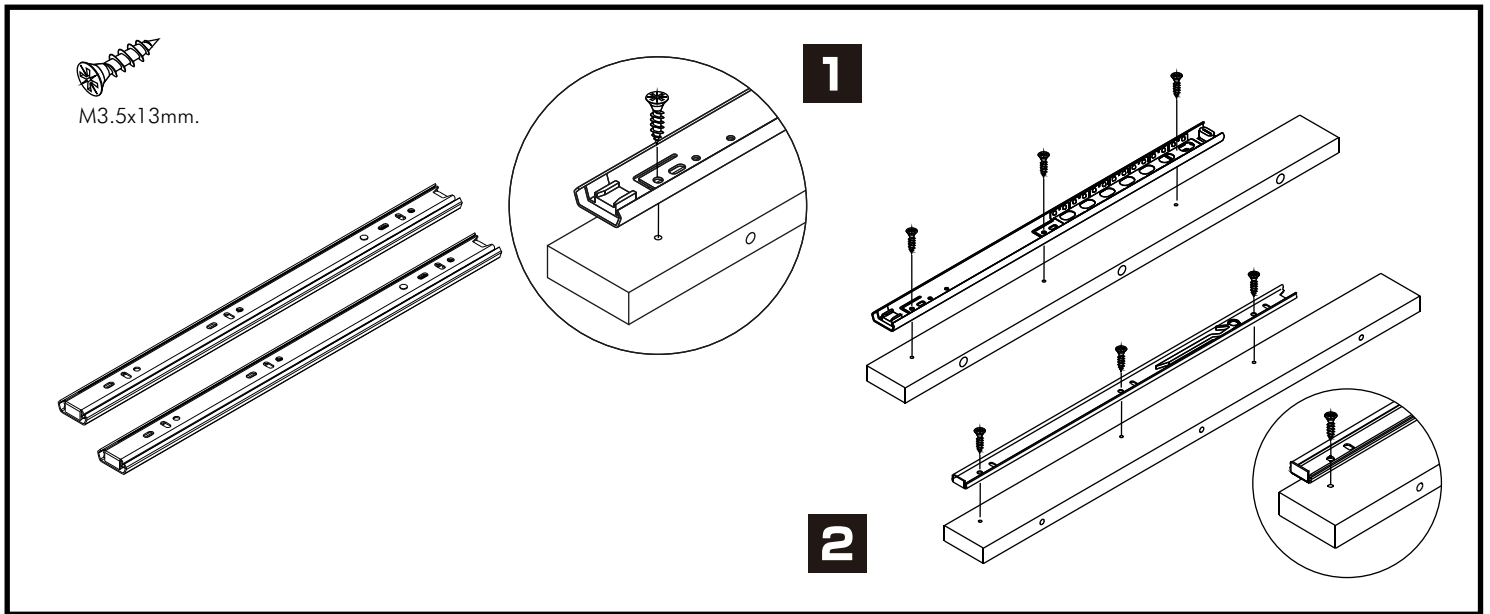
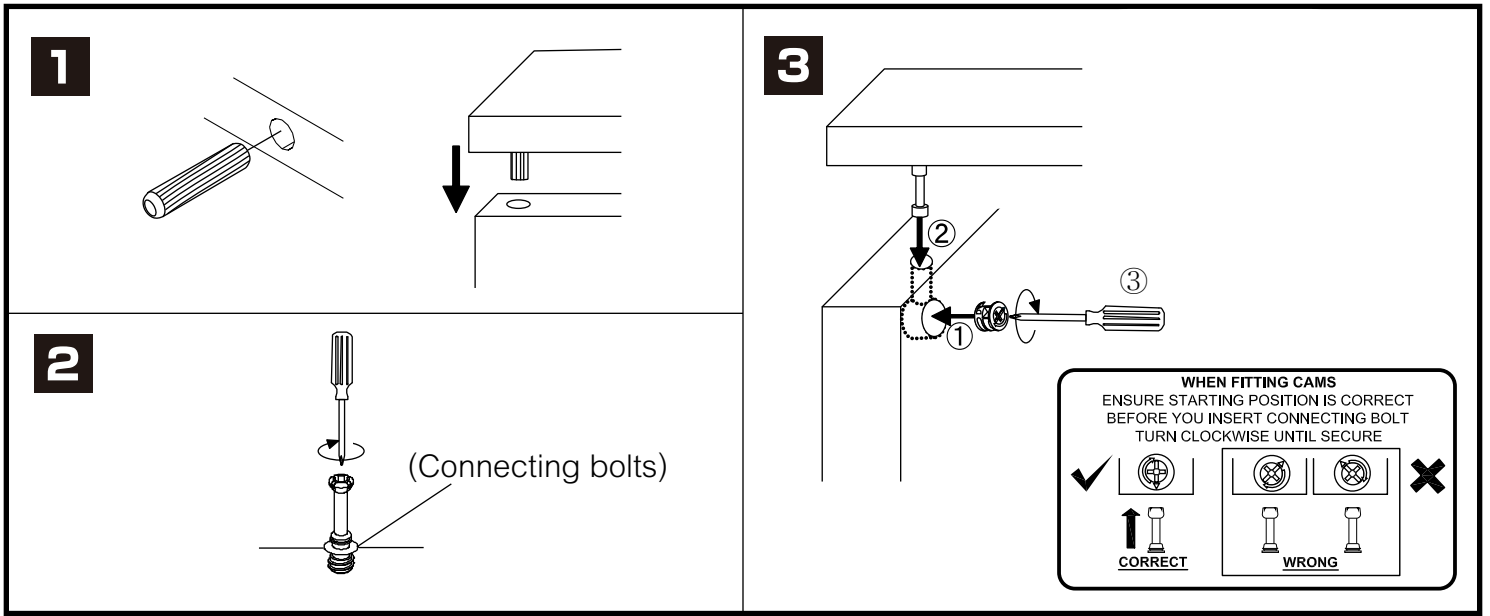


# CALACATTA

Dressing table

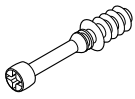


# CONNECT SYSTEM



# HARDWARE

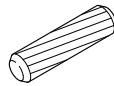
## -BODY SET



**x 14**

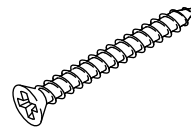


**x 14**



8x35mm.

**x 16**



M4x40mm.

**x 2**



M6x15mm.

**x 8**

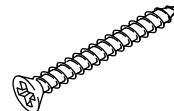


**x 8**



M4x16mm.

**x 4**



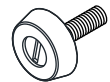
M4x30mm.

**x 18**

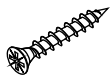


M4x16mm.

**x 14**

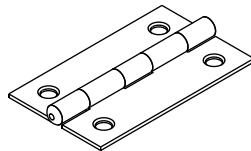


**x 4**

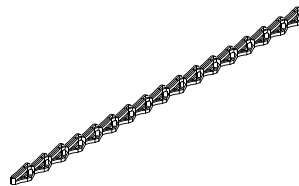


M3x20mm.

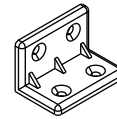
**x 16**



**x 4**

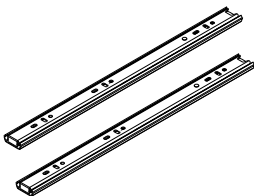


**x 2**



**x 2**

## -DRAWER SET

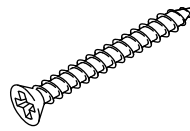


**x 2**



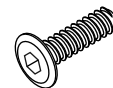
M3.5x13mm.

**x 24**



M4x40mm.

**x 20**



M6x23mm.

**x 6**

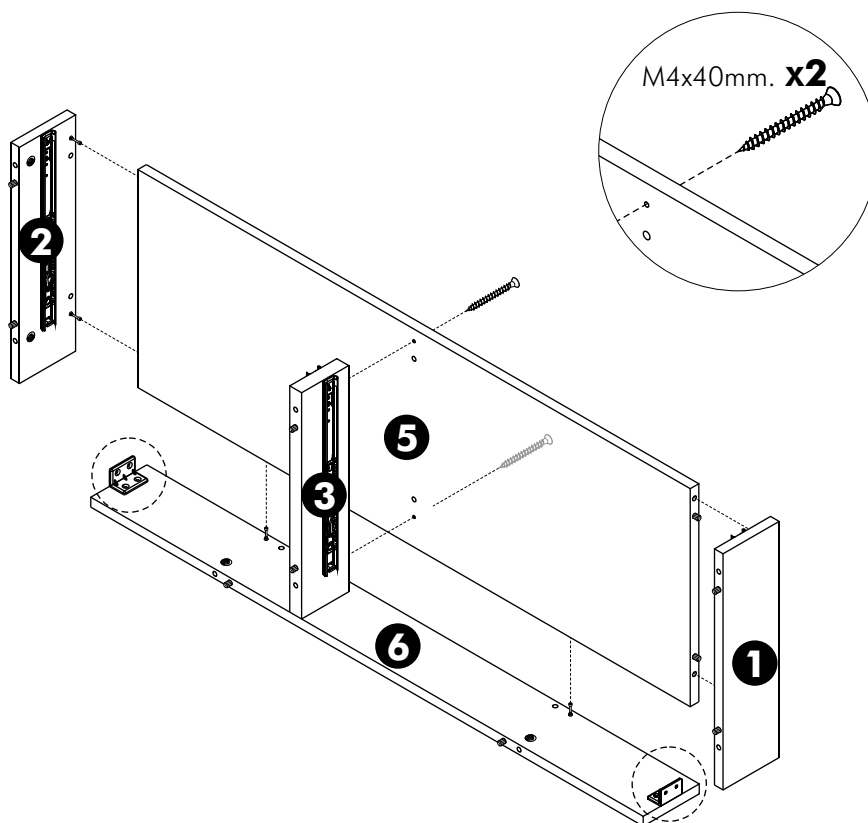


**x 1**

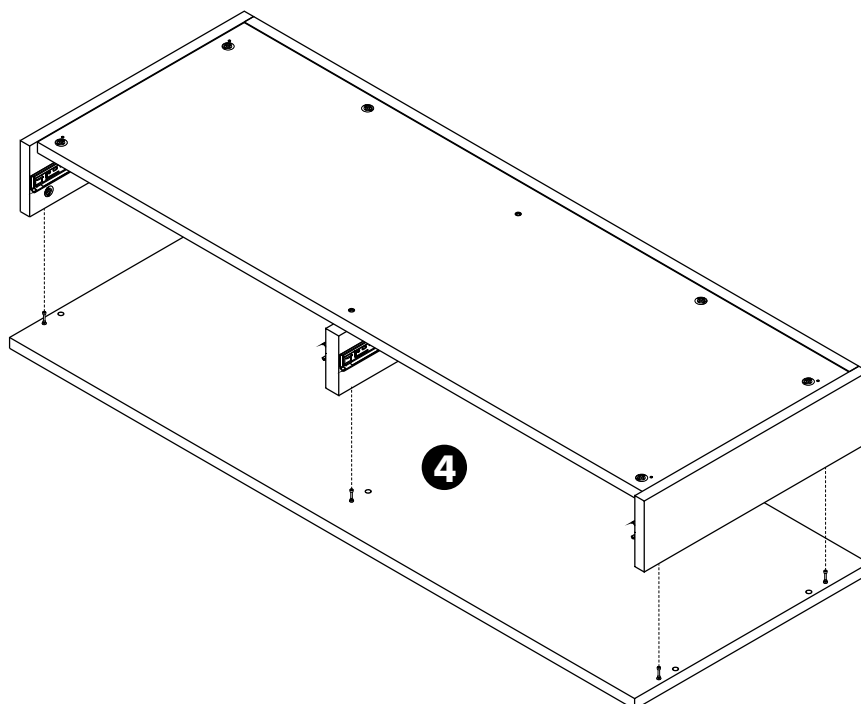
**ASSEMBLY**

-BODY SET

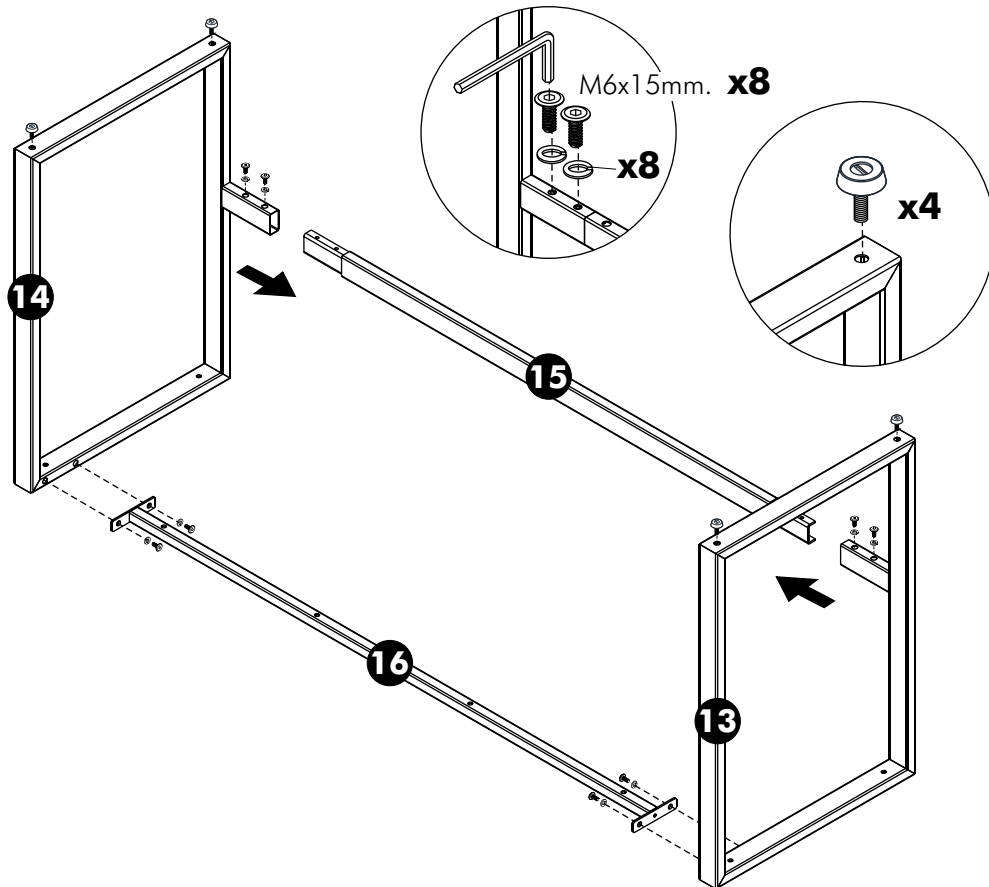
**1.**



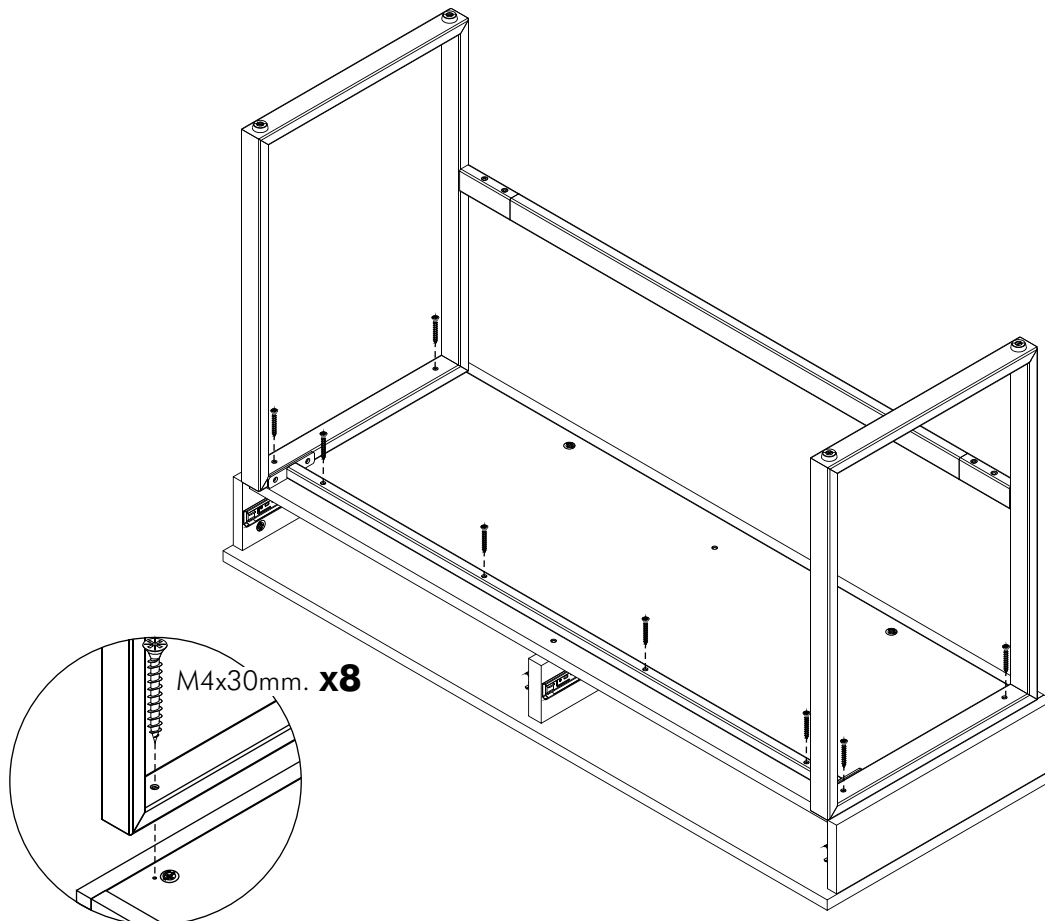
**2.**



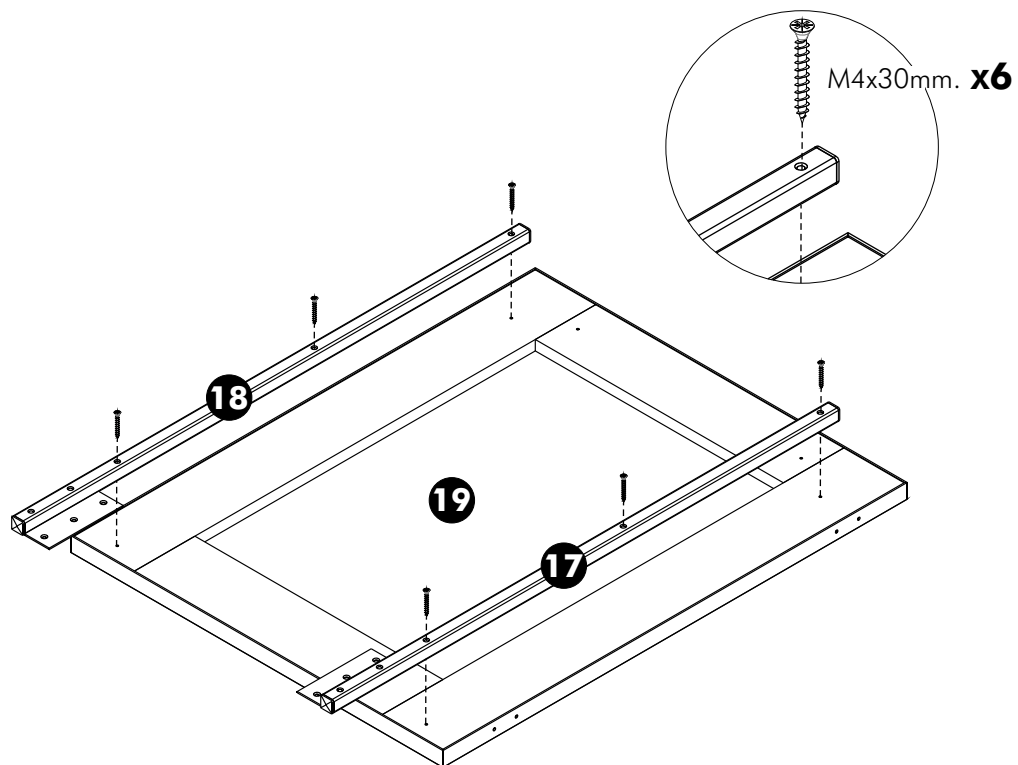
**3.**



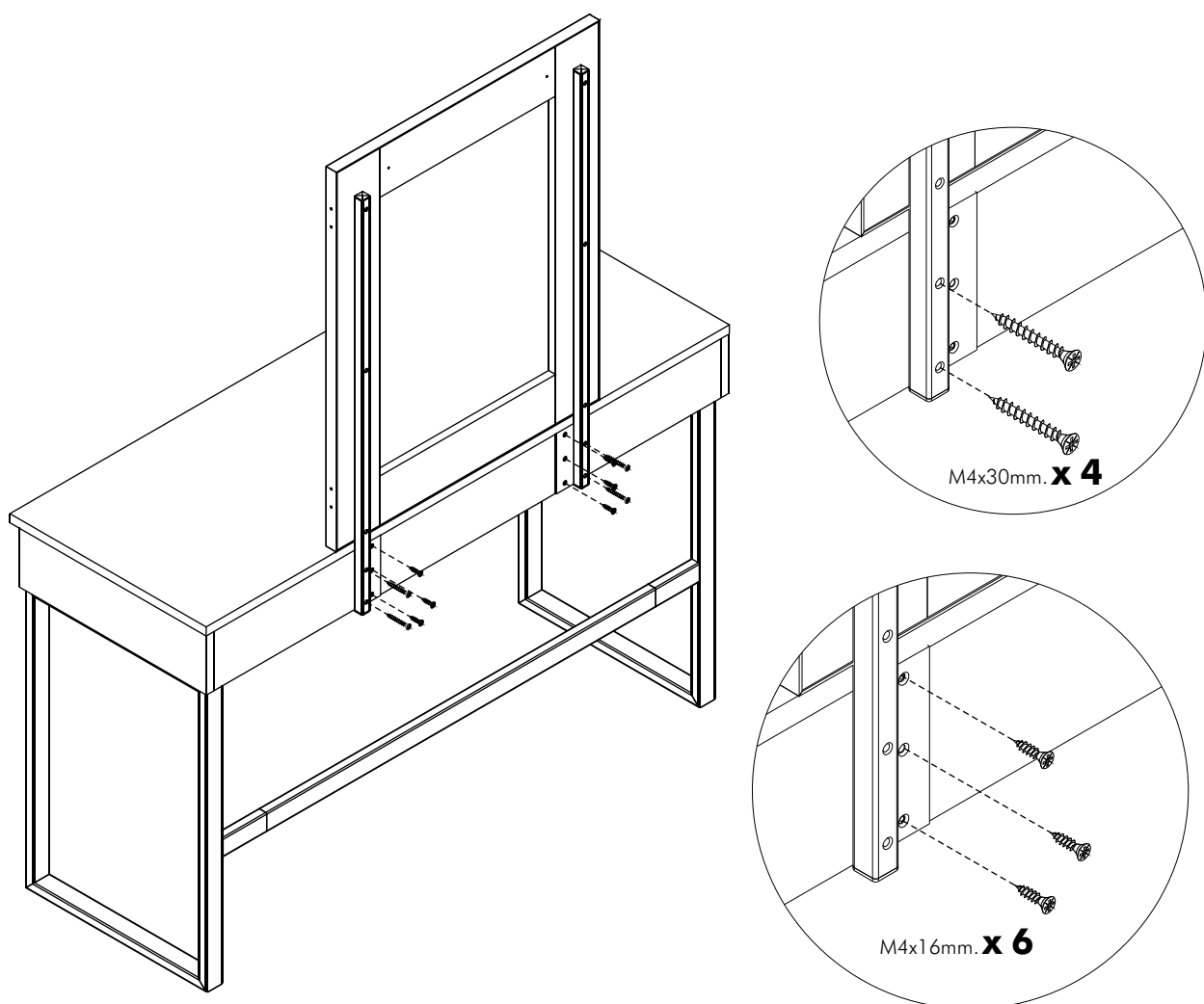
**4.**



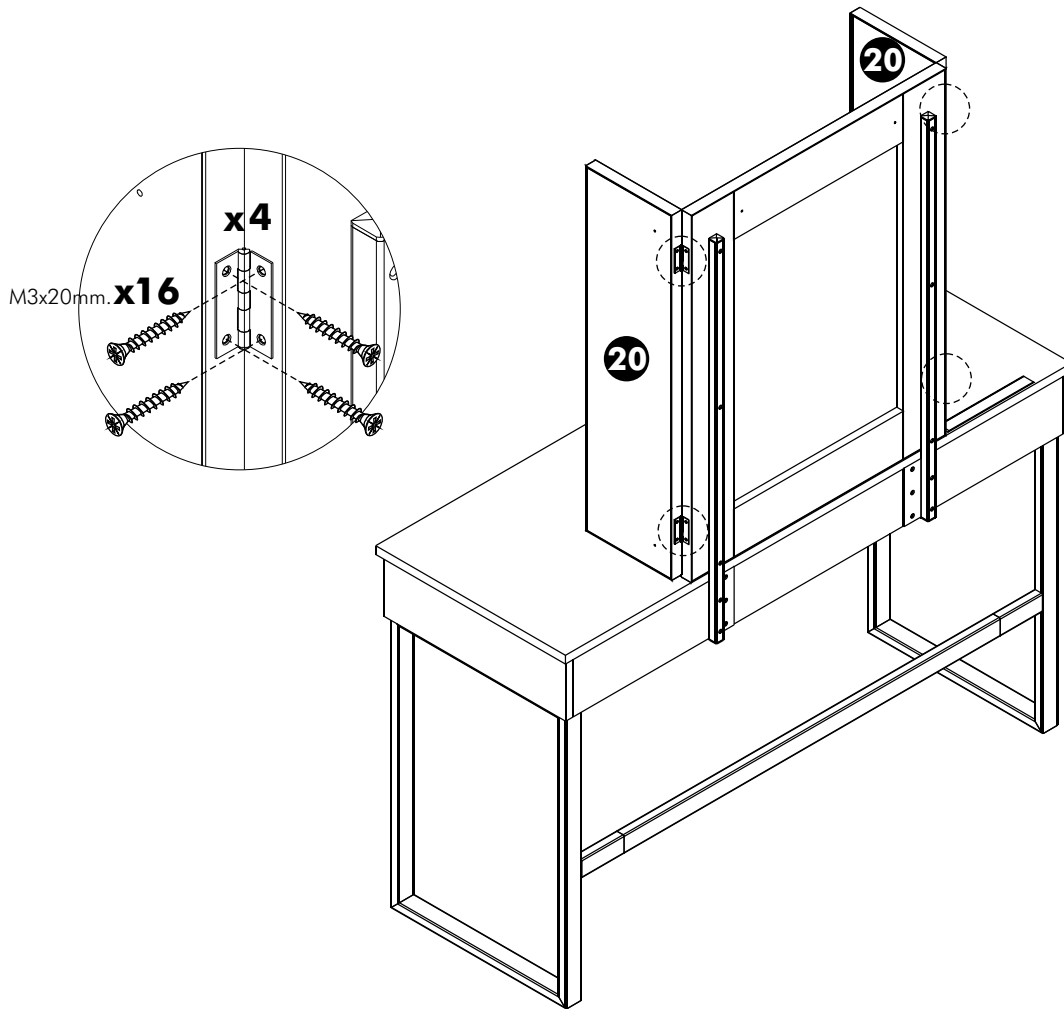
**5.**



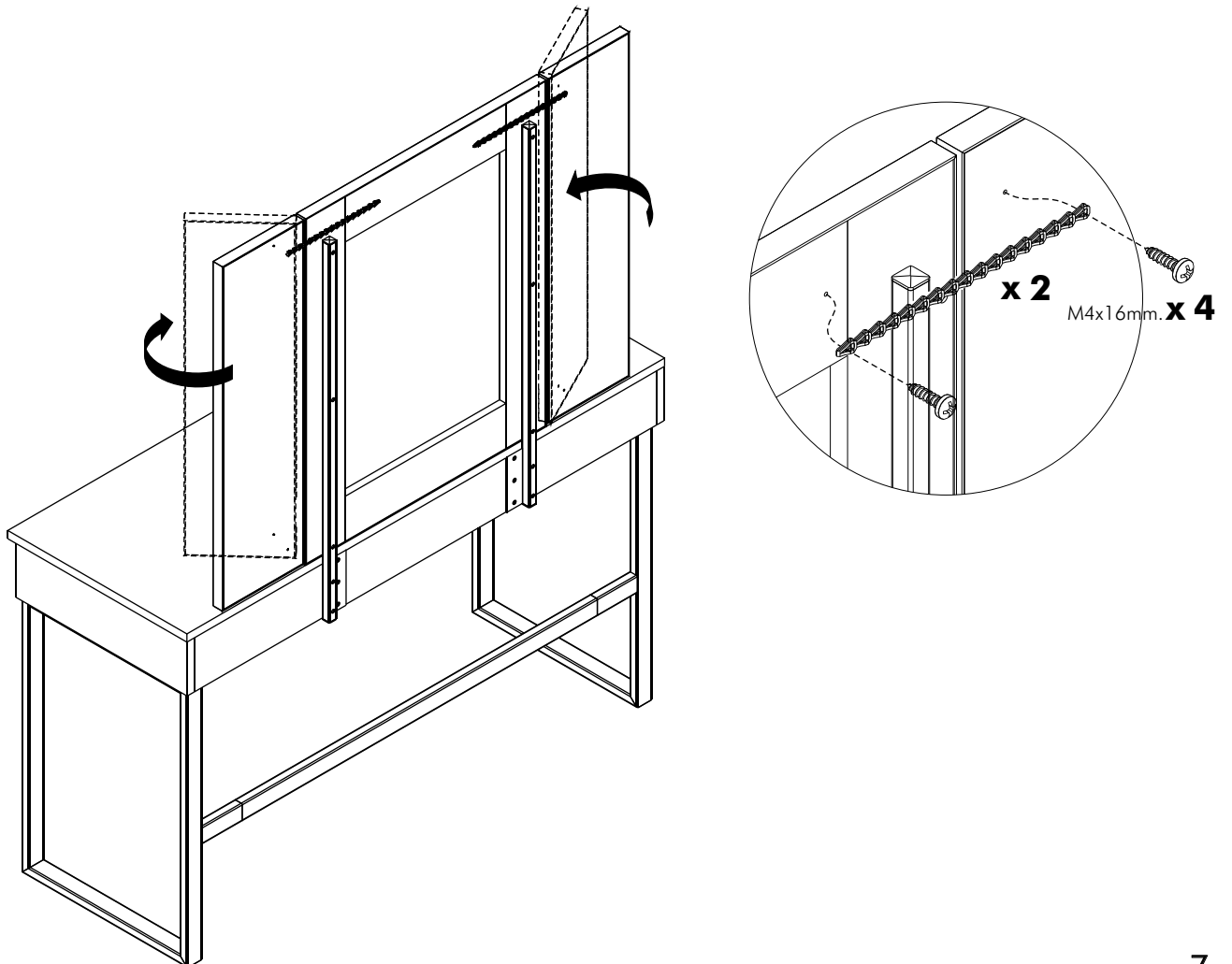
**6.**



**7.**



**8.**



# ASSEMBLY

-DRAWER SET

# 2 Set.

