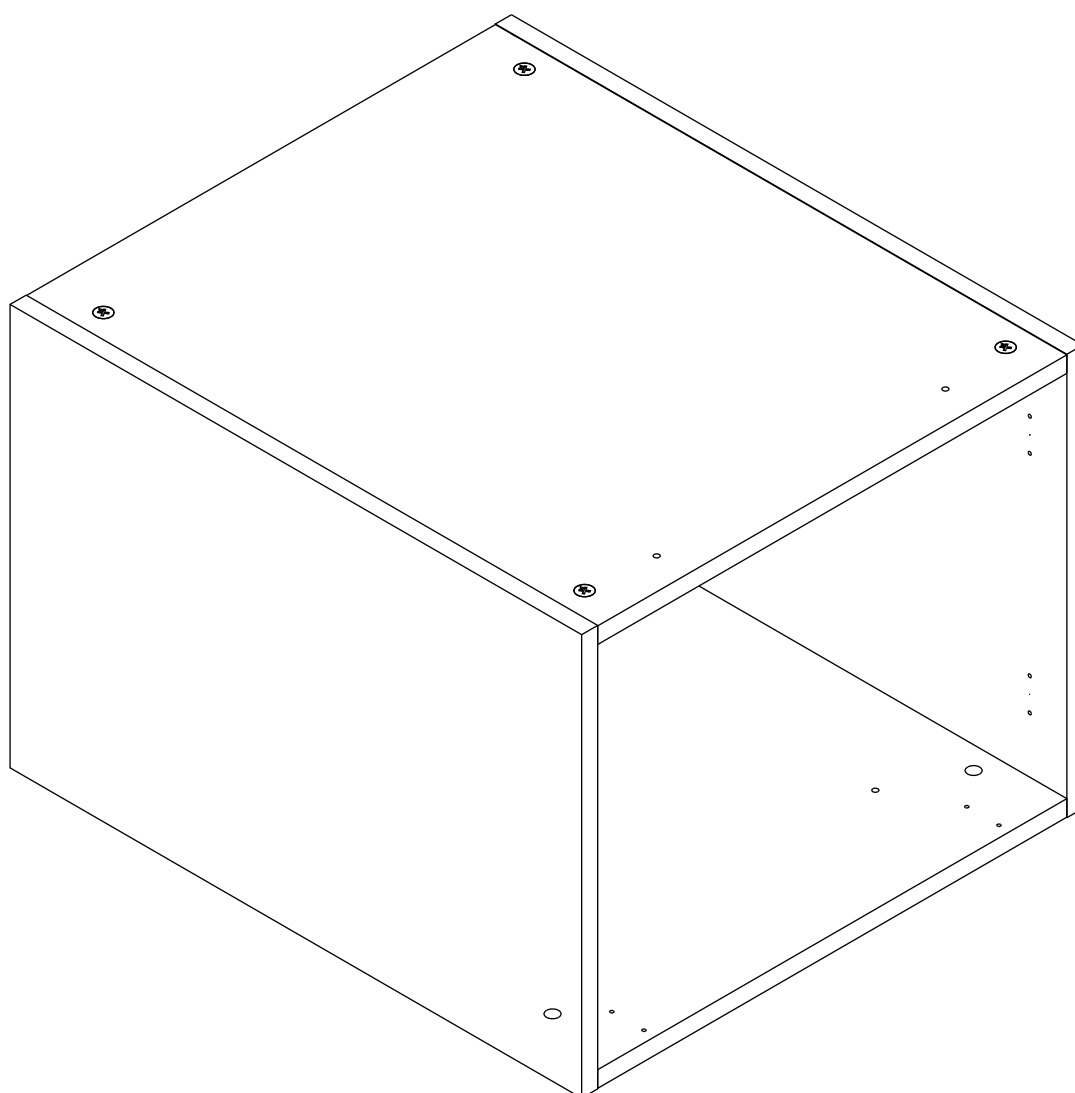


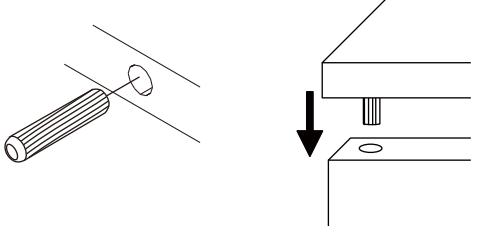
ITAL-SMART

Top box 50cm/57

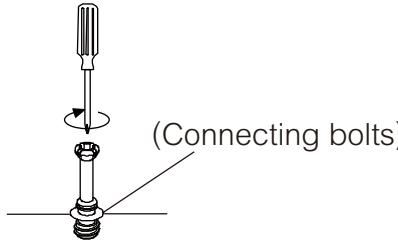


CONNECT SYSTEM

1

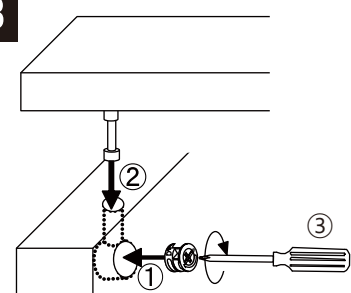


2

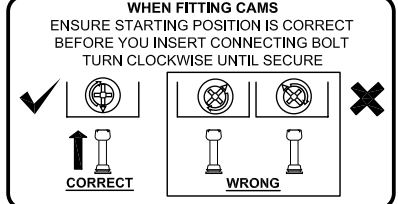


(Connecting bolts)

3



WHEN FITTING CAMS
ENSURE STARTING POSITION IS CORRECT
BEFORE YOU INSERT CONNECTING BOLT
TURN CLOCKWISE UNTIL SECURE

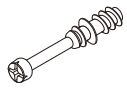


✓ CORRECT

✗ WRONG

HARDWARE

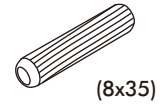
-BODY SET



X 8



X 8



(8x35)

X 8



Ø 11mm.

X 10



X 4



M4x20mm.

X 6



M4x25mm.

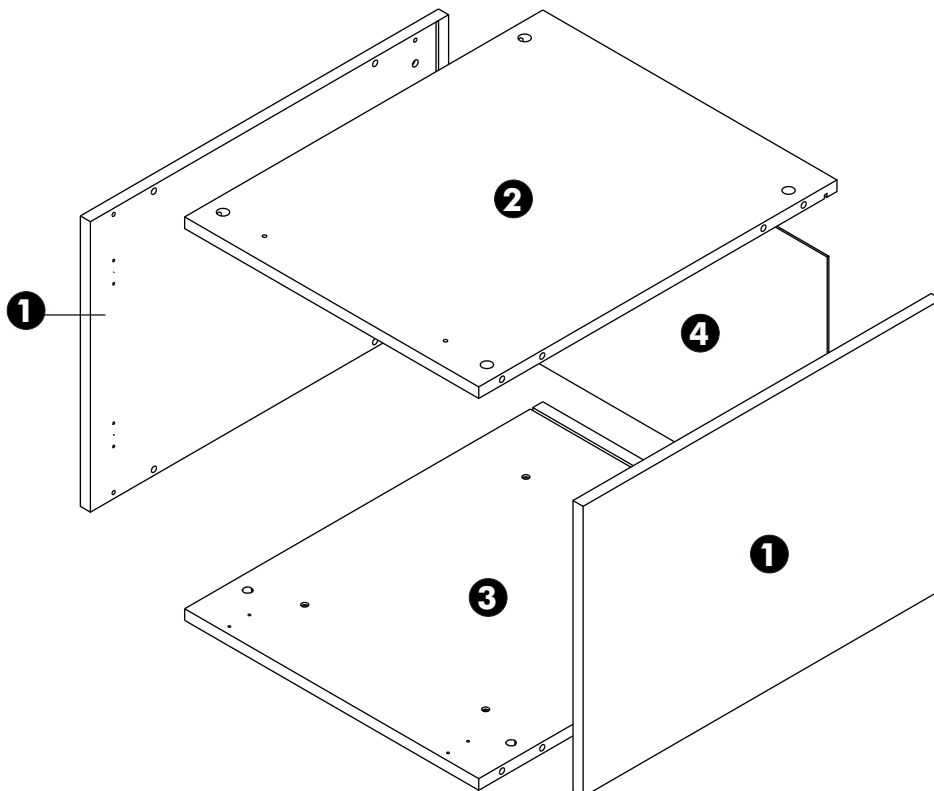
X 8



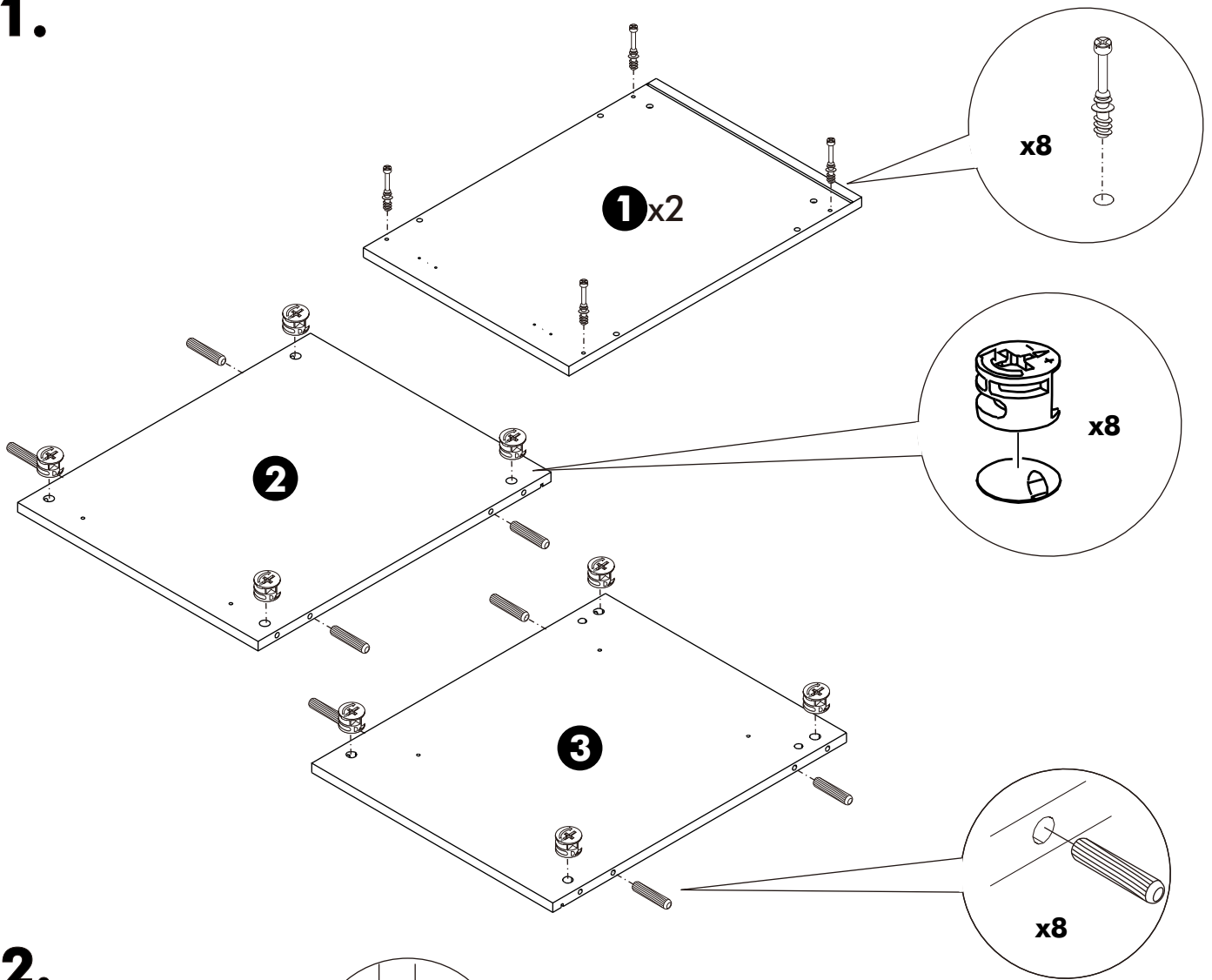
Ø 13mm.

X 2

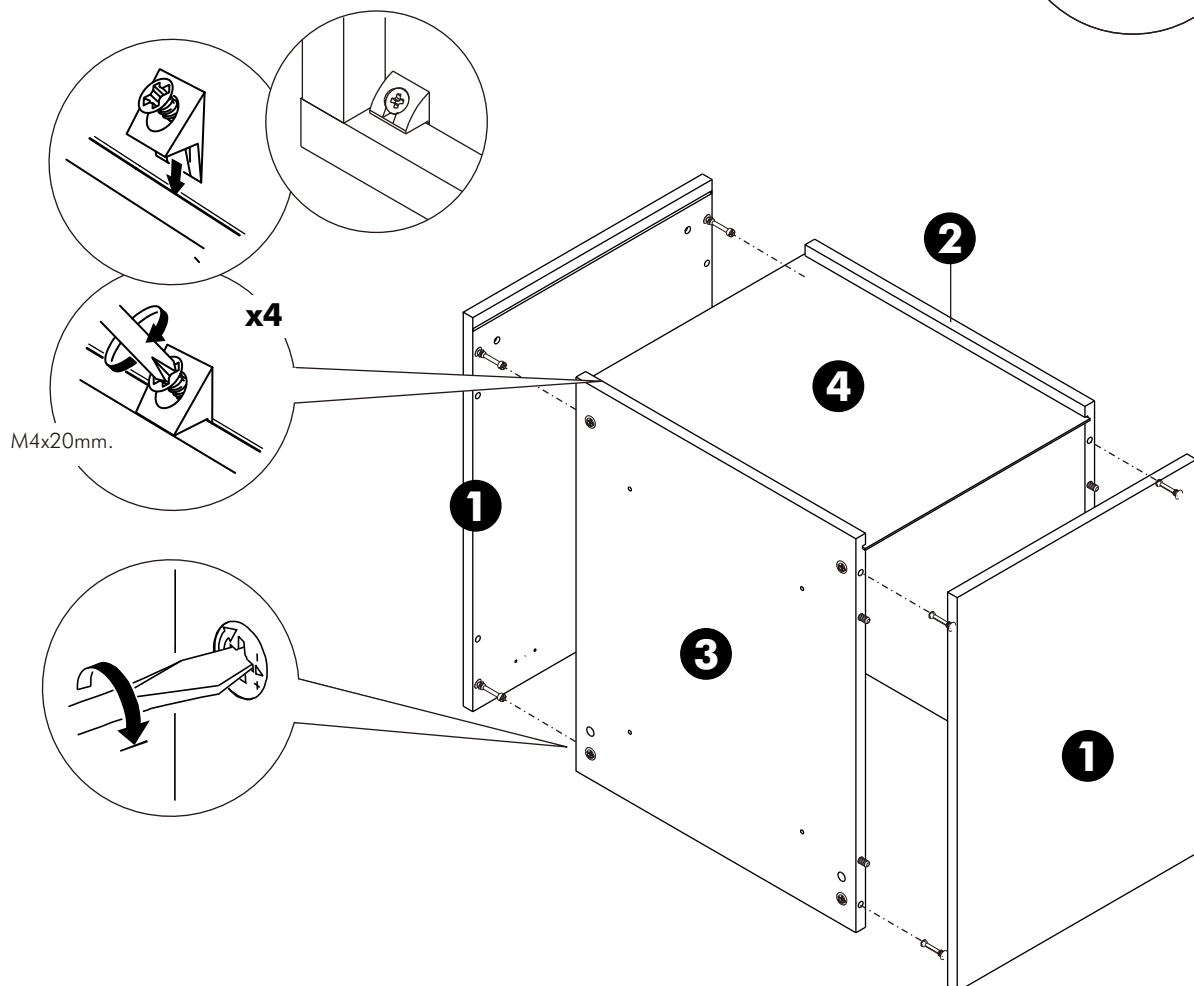
PART



1.



2.



3.

