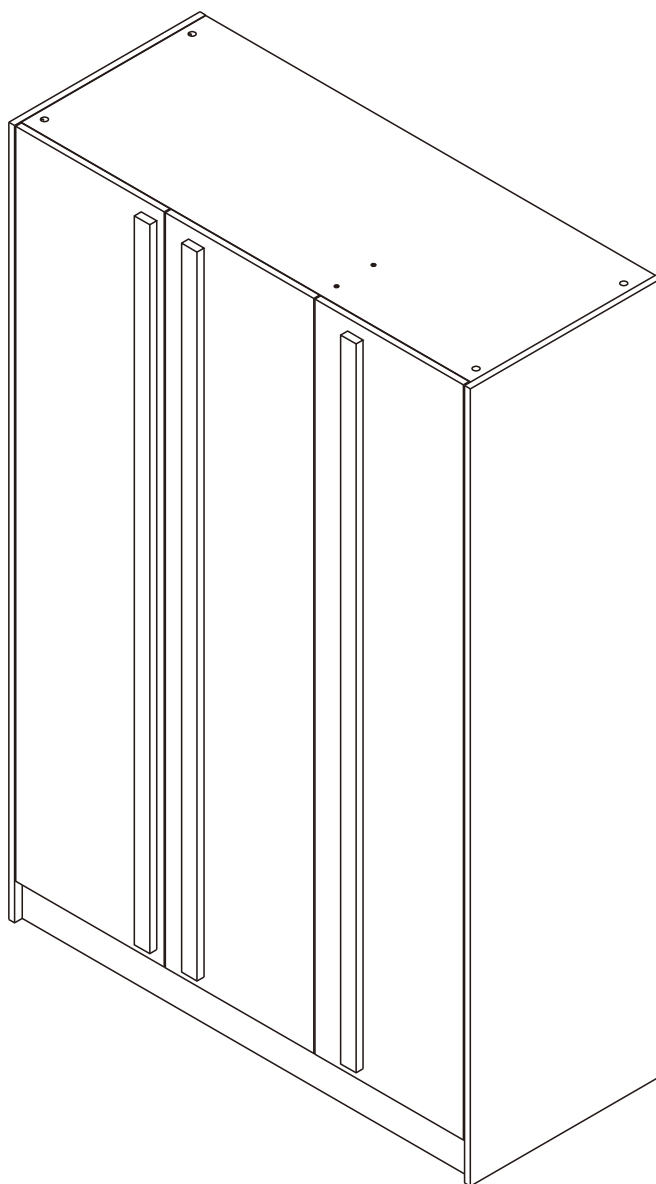


# CHAMP

## M03 WARDROBE 3 DOORS



# CONNECT SYSTEM

**1**

**3**

**2**

(Connecting bolts)

**WHEN FITTING CAMS**  
 ENSURE STARTING POSITION IS CORRECT  
 BEFORE YOU INSERT CONNECTING BOLT  
 TURN CLOCKWISE UNTIL SECURE

✓				✗
↑				
	<b>CORRECT</b>	<b>WRONG</b>		

M4x16mm.

**i**

40mm.

☹️

☒

EQ

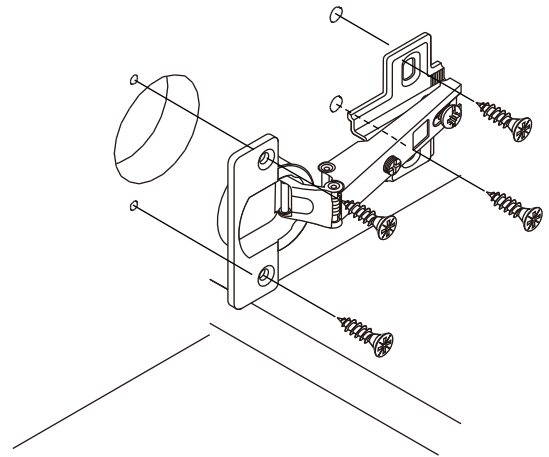
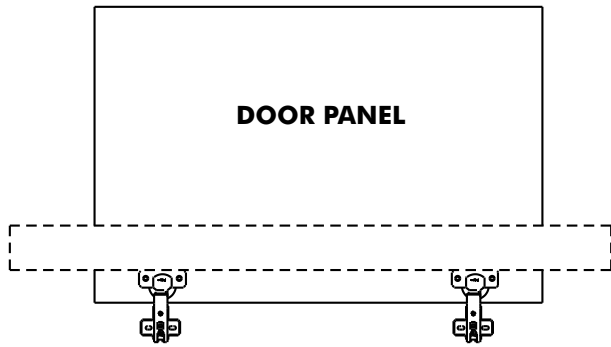
☺️

☑️

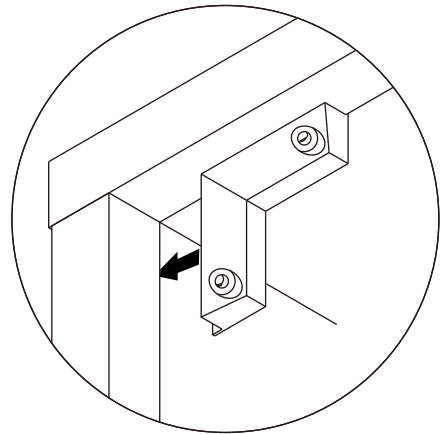
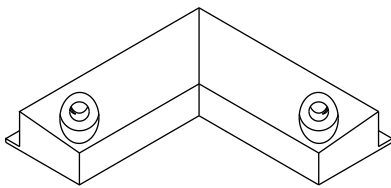
M4x16mm.



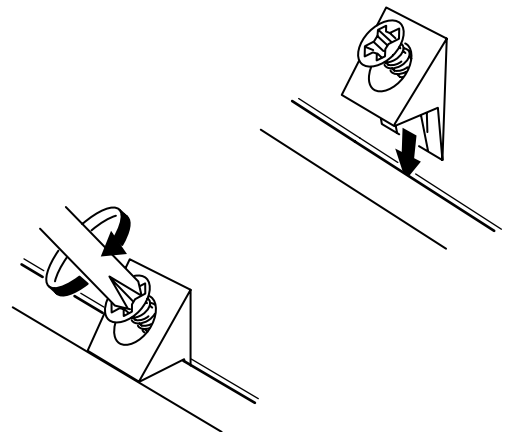
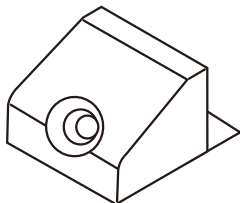
M4x16mm.



M3.5x20mm.

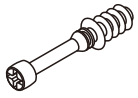


M3.5x20mm.



# HARDWARE

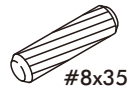
## -BODY SET



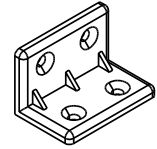
**x 10**



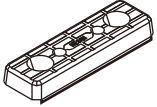
**x 10**



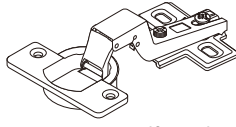
**x 16**



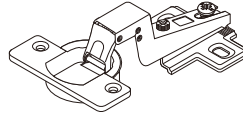
**x 20**



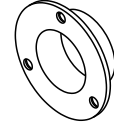
**x 12**



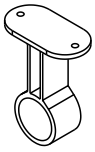
Half overlay  
**x 4**



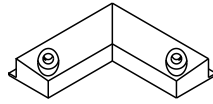
Insert  
**x 8**



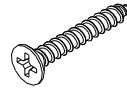
**x 2**



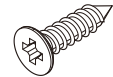
**x 1**



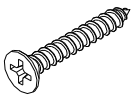
**x 2**



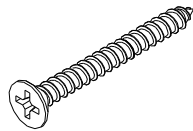
M3.5x20mm.  
**x 4**



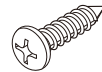
M4x16mm.  
**x 152**



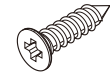
M4x25mm.  
**x 12**



M4x40mm.  
**x 14**



M3.5x13mm.  
**x 2**



M3.5x13mm.  
**x 6**

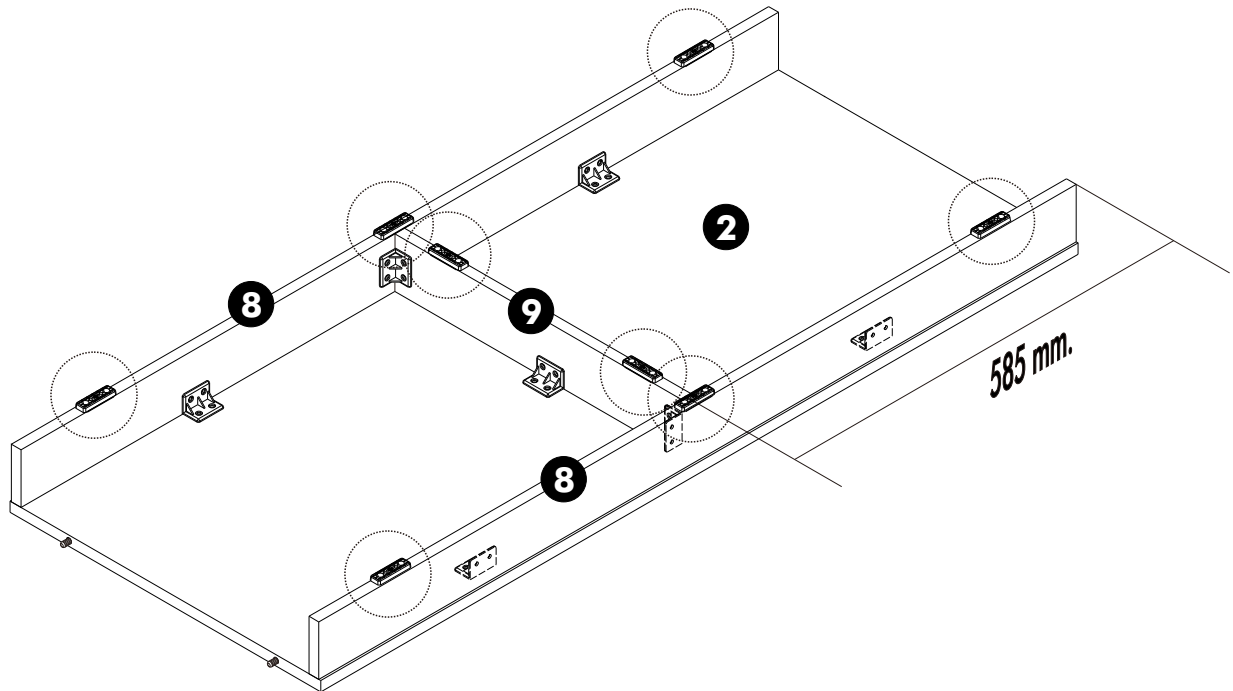


M4x13mm.  
**x 15**

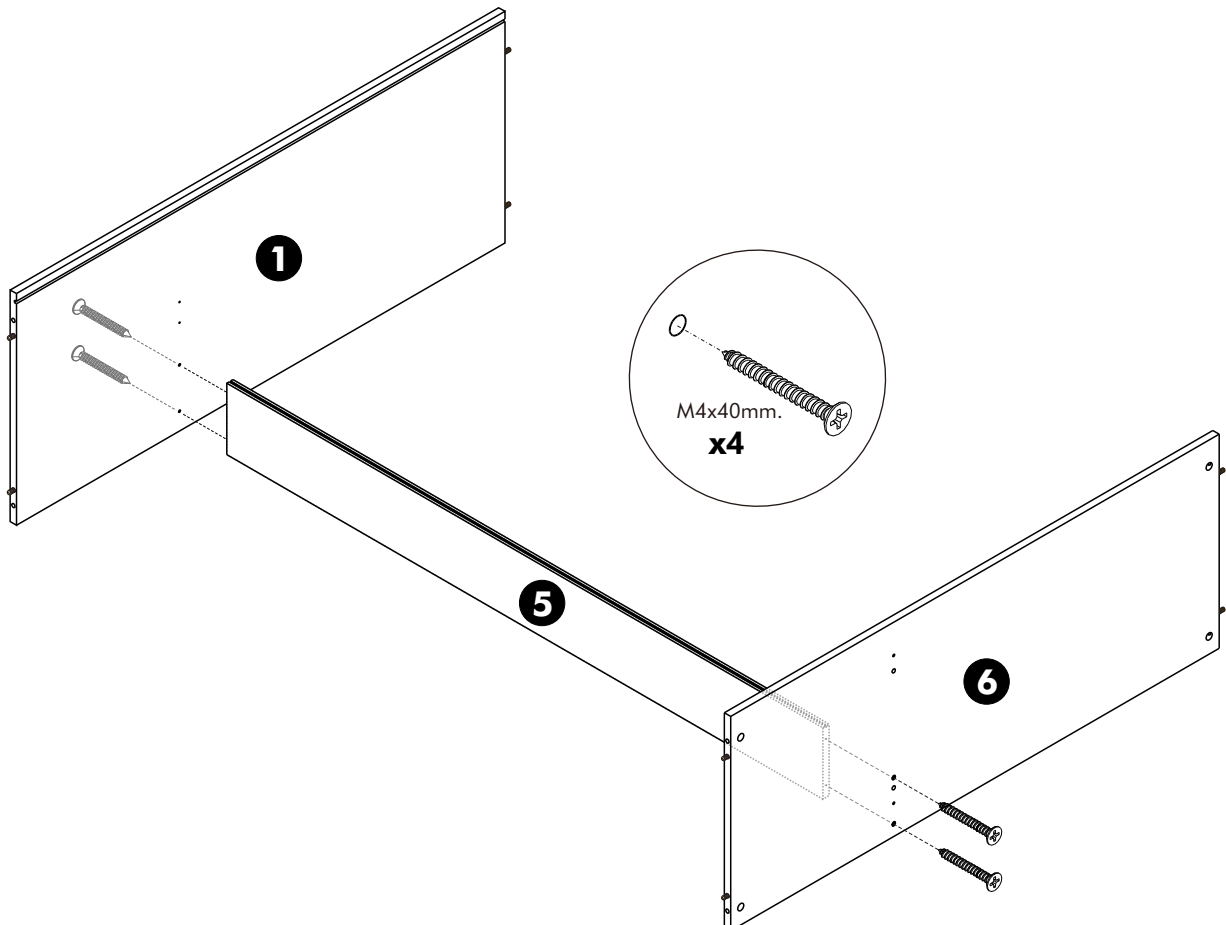
**ASSEMBLY**

-BODY SET

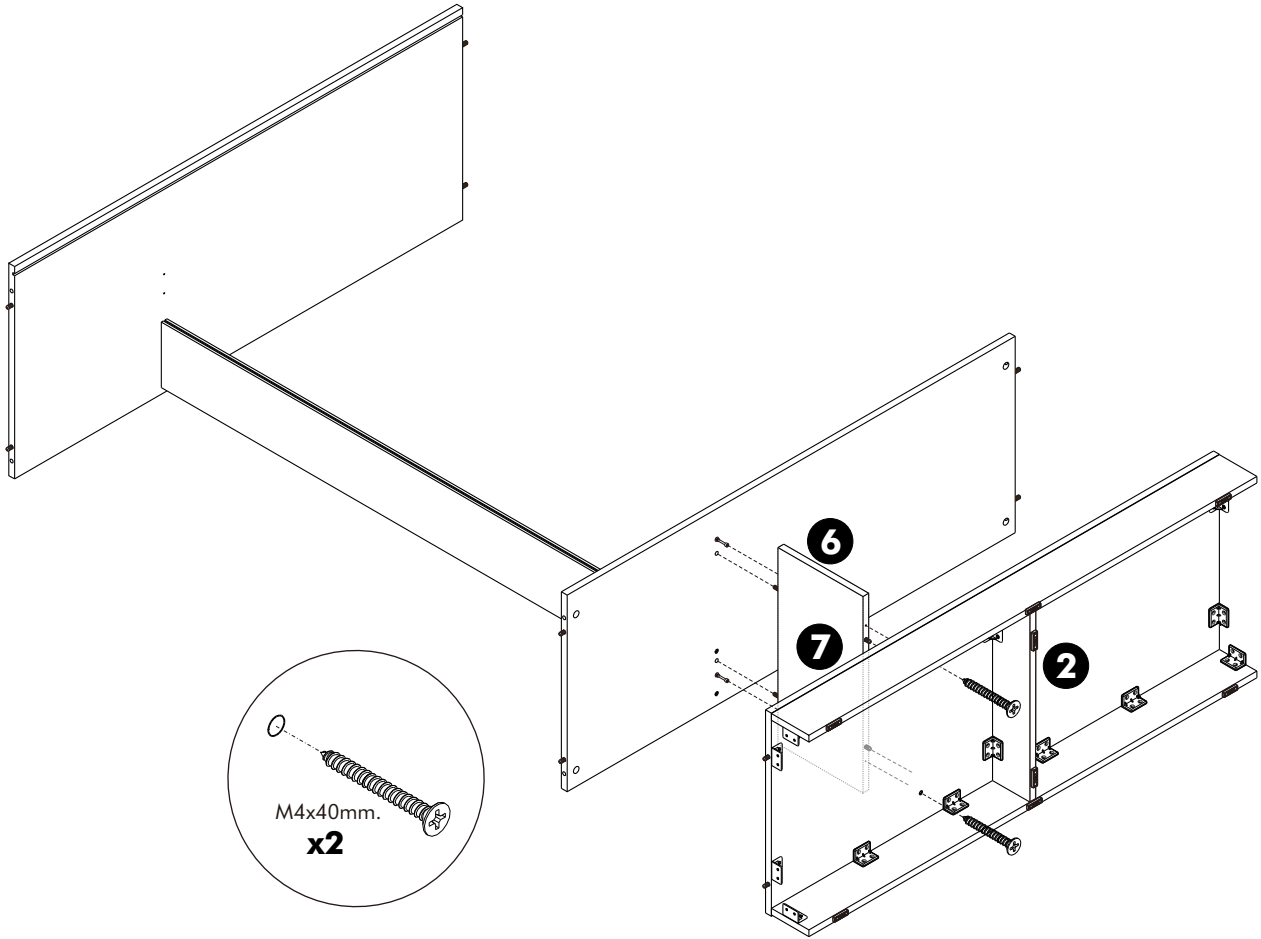
**1.**



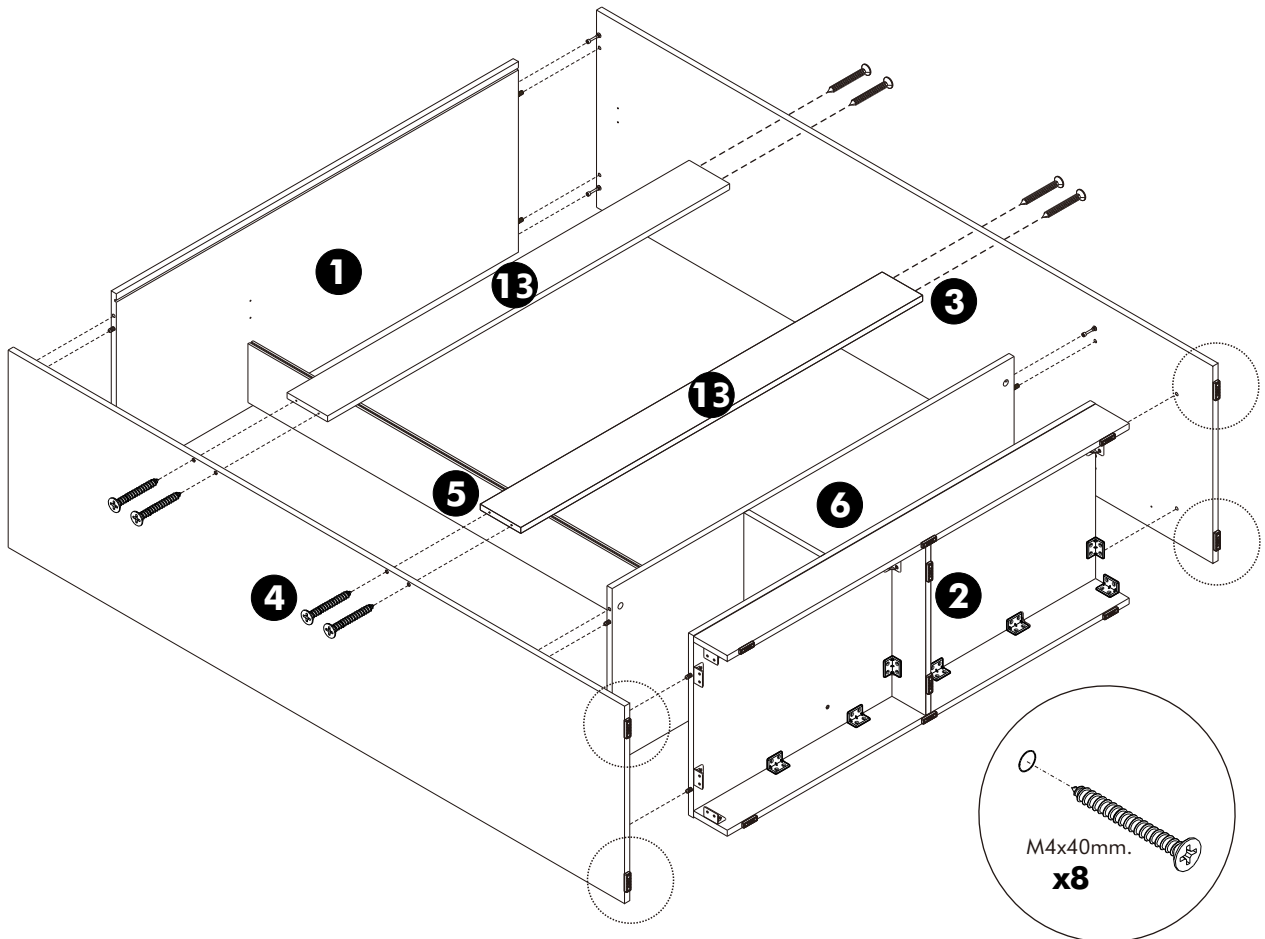
**2.**



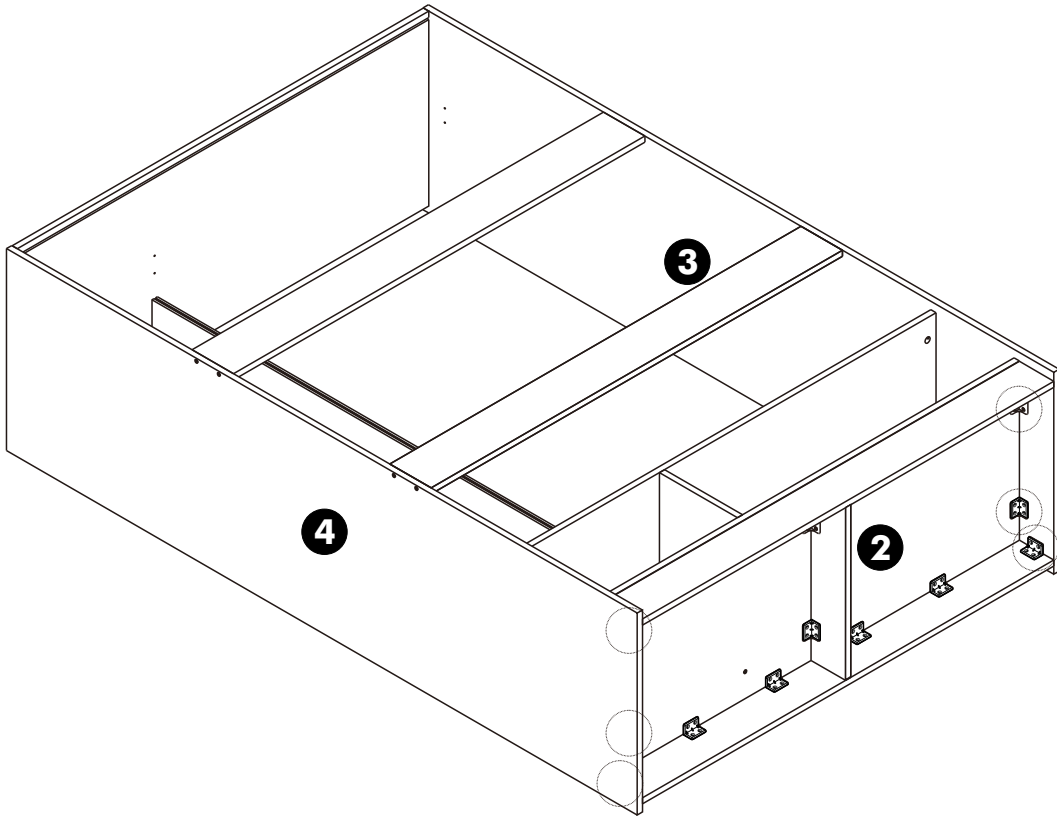
**3.**



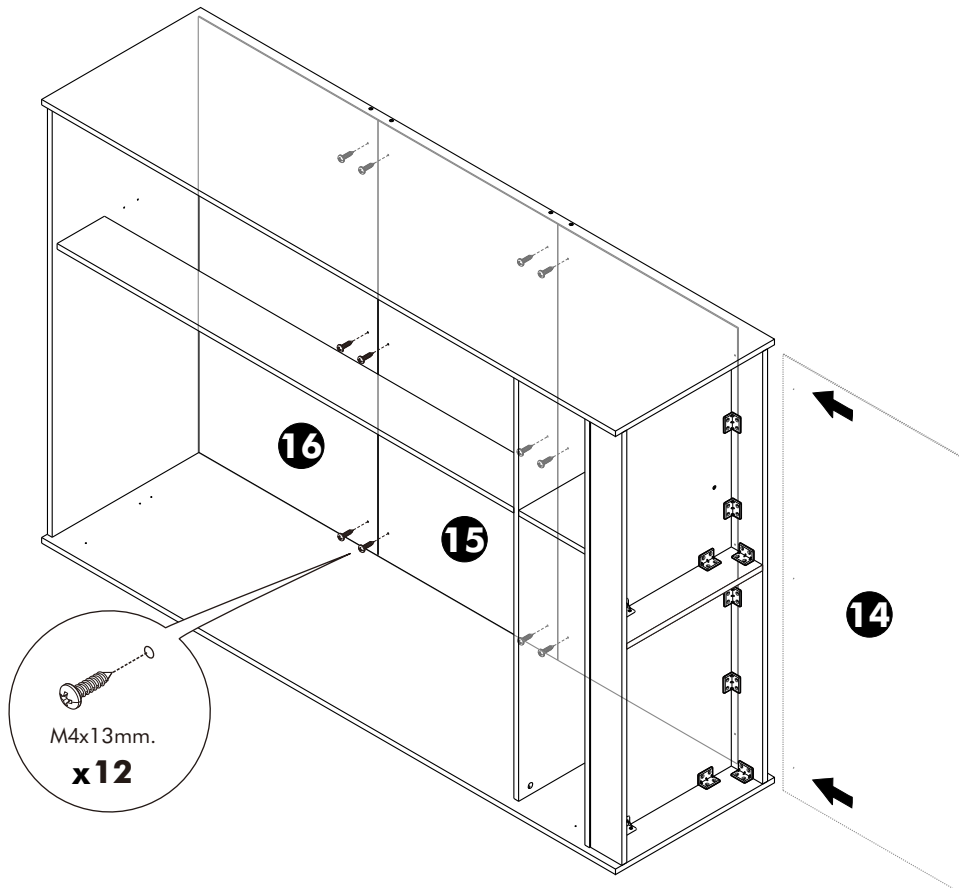
**4.**



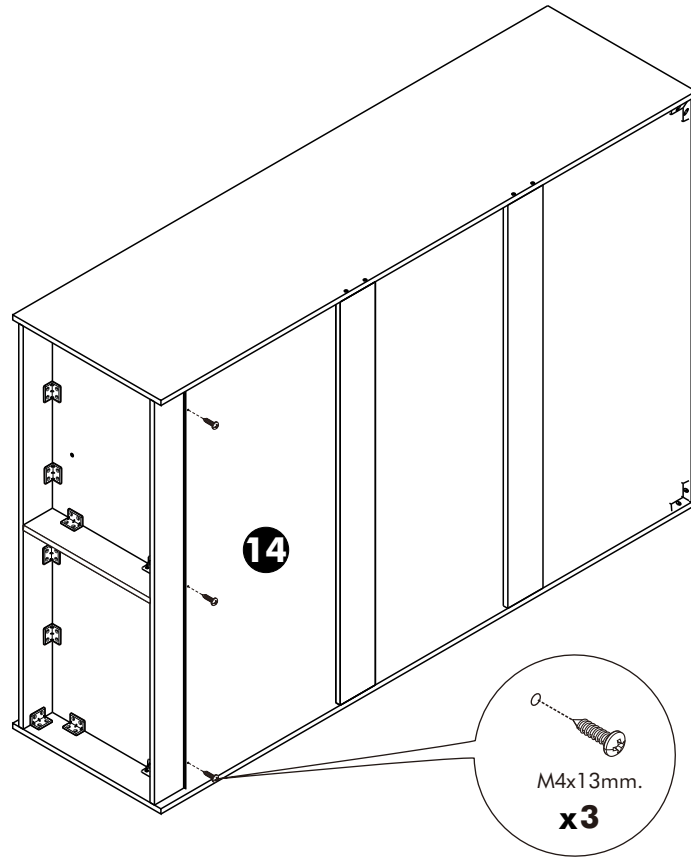
**5.**



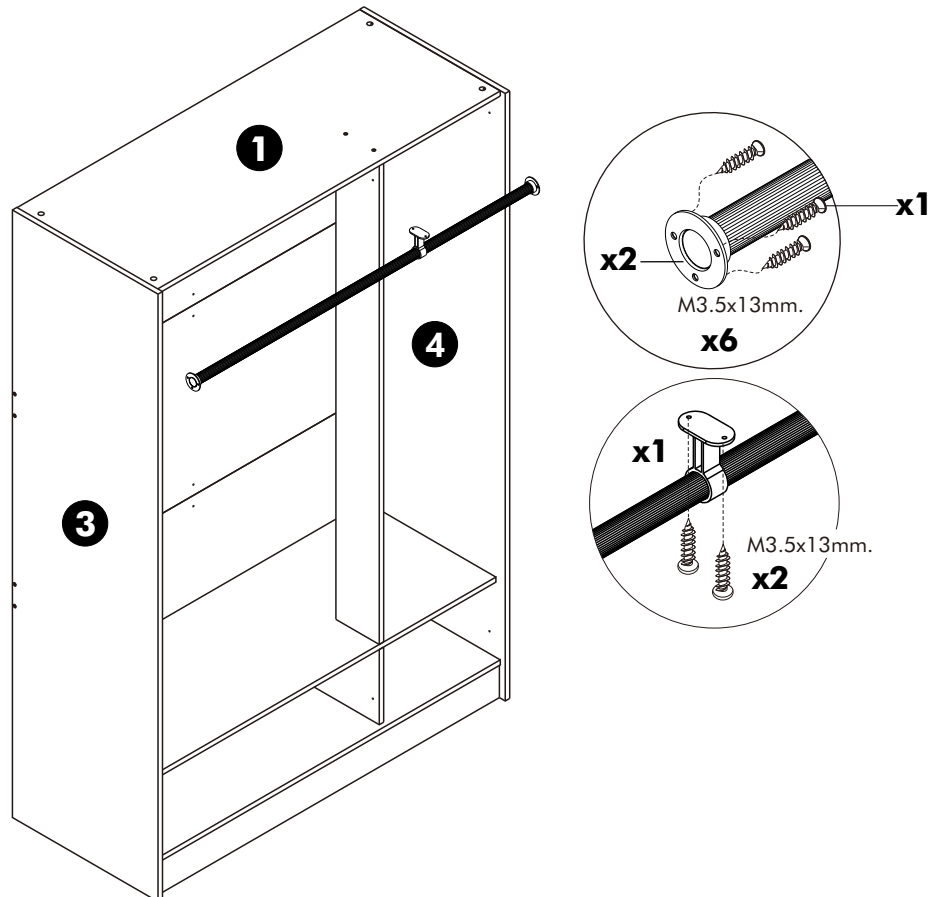
**6.**



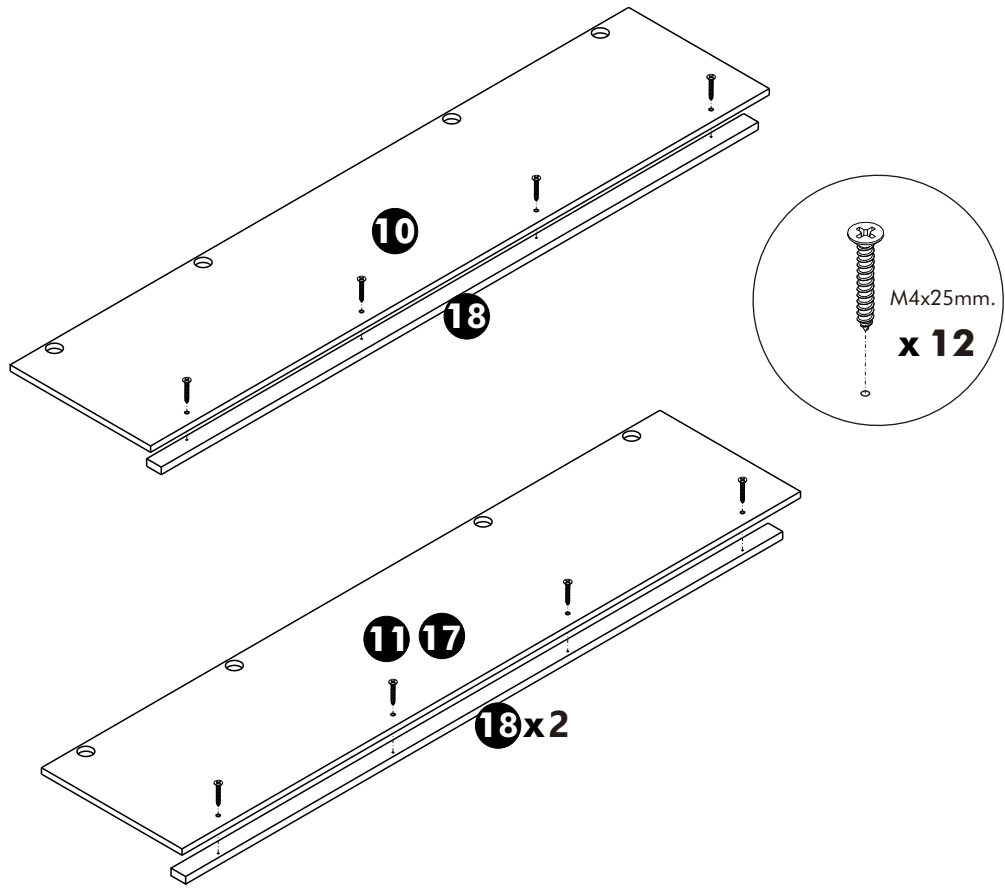
**7.**



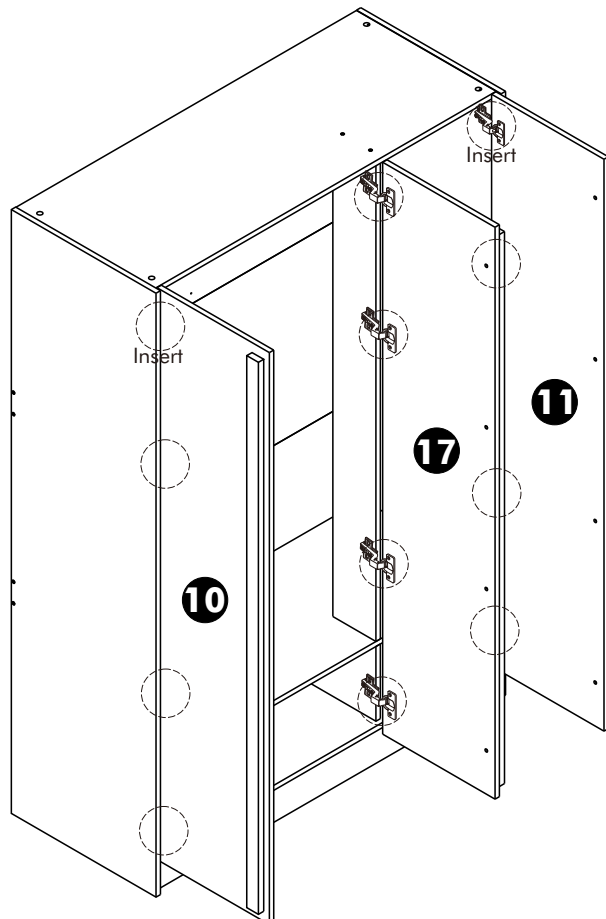
**8.**



9.



8.



9