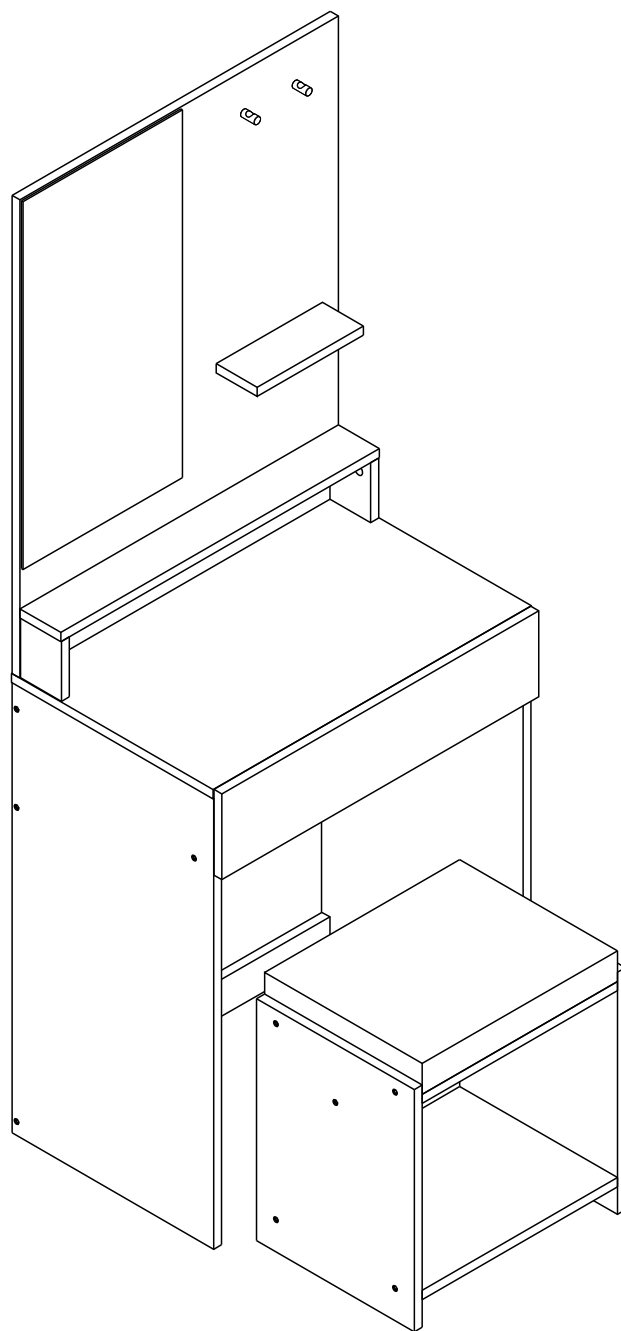


# CHAMP

## M01 DRESSING TABLE+STOOL



# CONNECT SYSTEM

**1**

**3**

**2**

(Connecting bolts)

**WHEN FITTING CAMS**  
ENSURE STARTING POSITION IS CORRECT  
BEFORE YOU INSERT CONNECTING BOLT  
TURN CLOCKWISE UNTIL SECURE

✓				<b>✗</b>
↑				
<b>CORRECT</b>			<b>WRONG</b>	

M4x16mm.

**i**

40mm.

☹️

☒

EQ

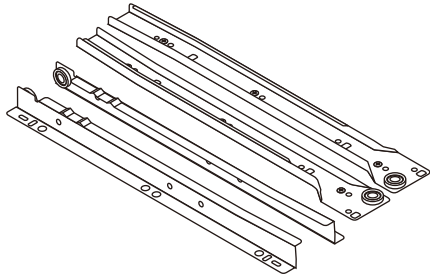
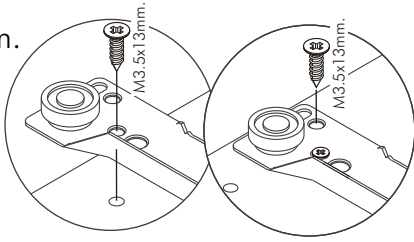
☺️

☑️

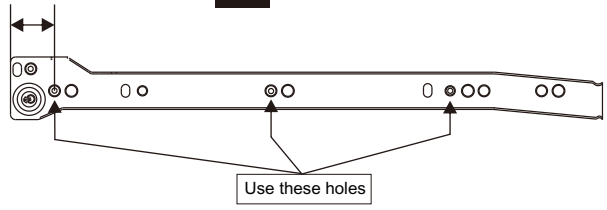
M4x16mm.



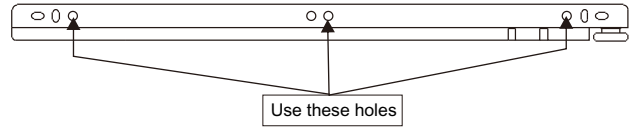
M3.5x13mm.



**1**

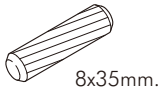


**2**



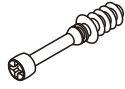
# HARDWARE

## -BODY SET



8x35mm.

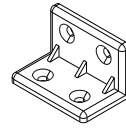
**x 30**



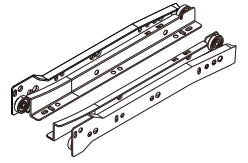
**x 2**



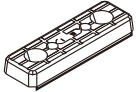
**x 2**



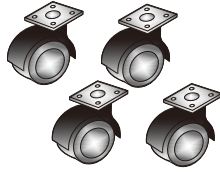
**x 6**



**x 1set**



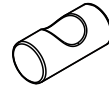
**x 6**



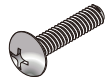
**x 1set**



**x 2**

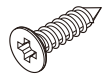


**x 2**



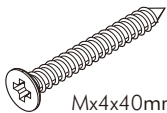
M4x18mm.

**x 2**



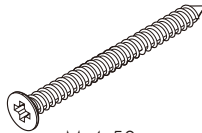
M4x16mm.

**x 36**



Mx4x40mm.

**x 10**



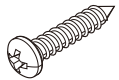
Mx4x50mm.

**x 32**



M3.5x13mm.

**x 16**



M4x25mm.

**x 2**



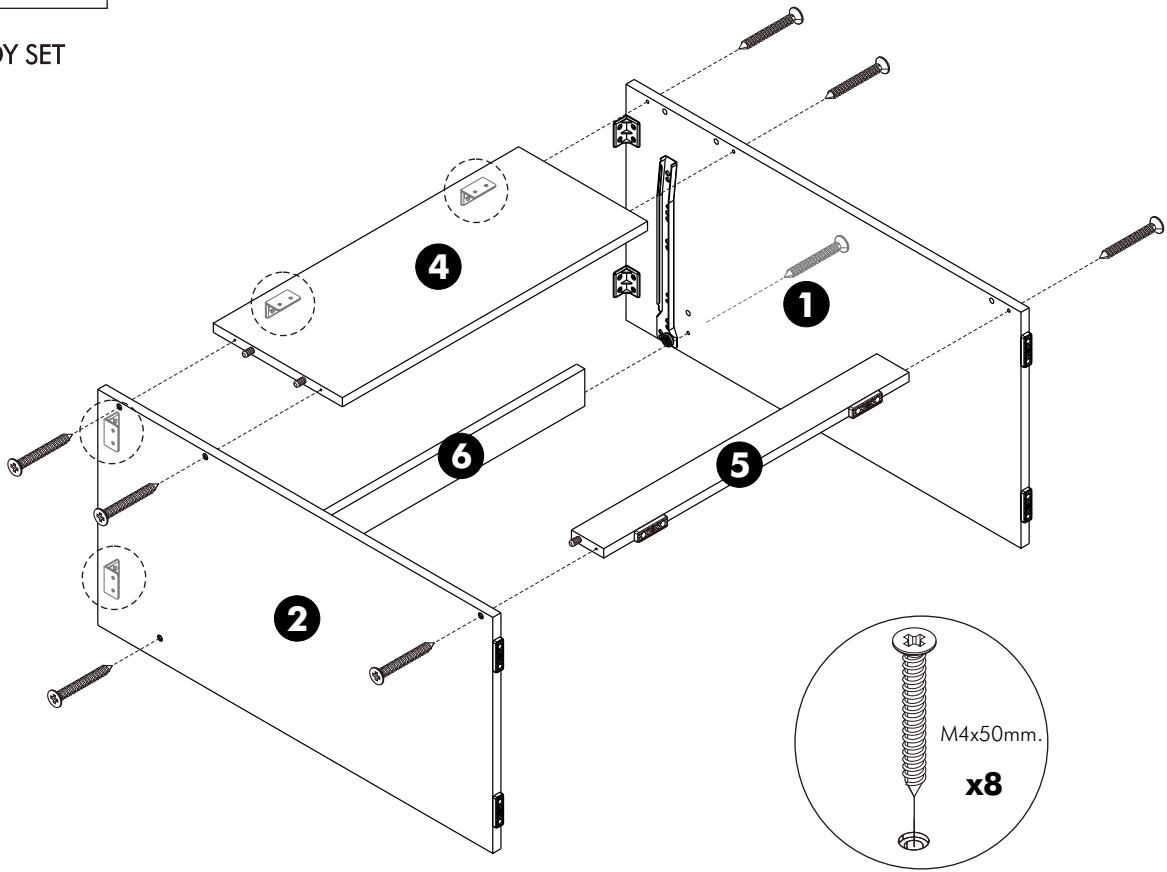
M3.5x13mm.

**x 14**

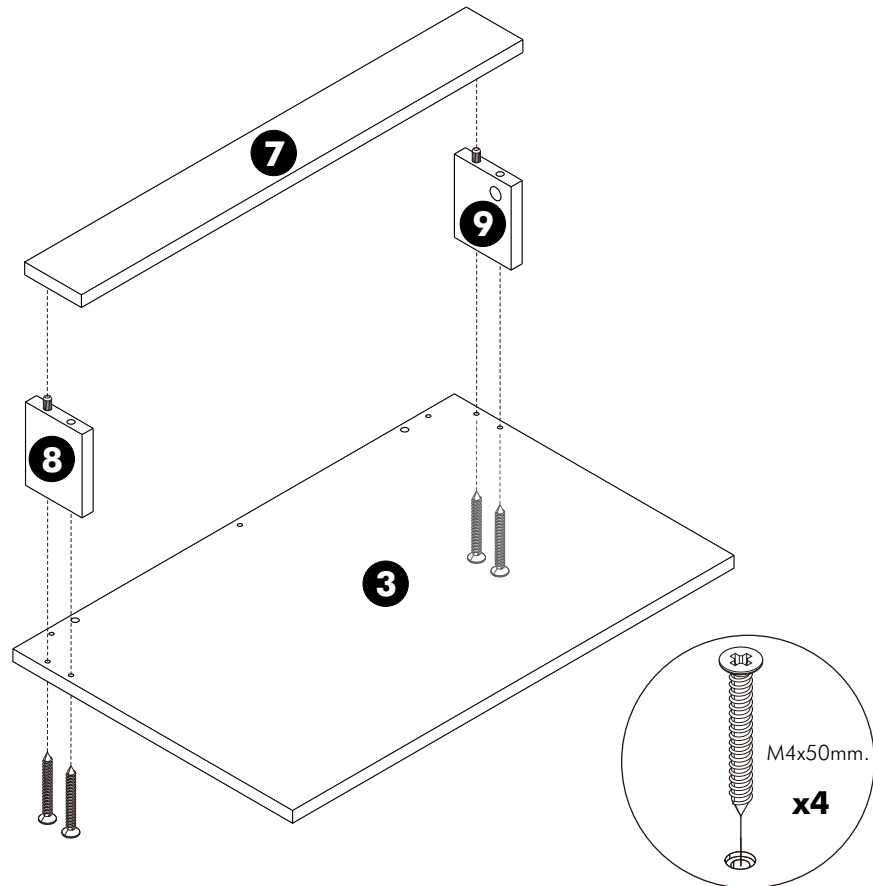
# ASSEMBLY

-BODY SET

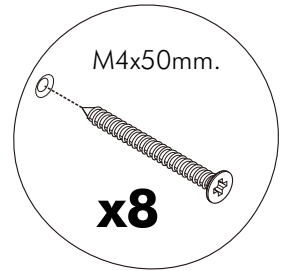
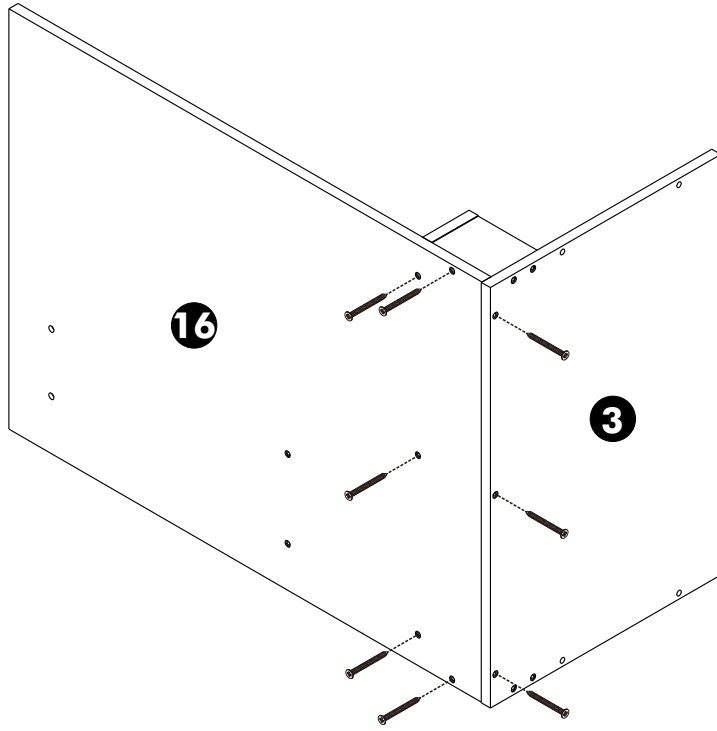
## 1.



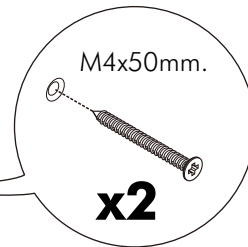
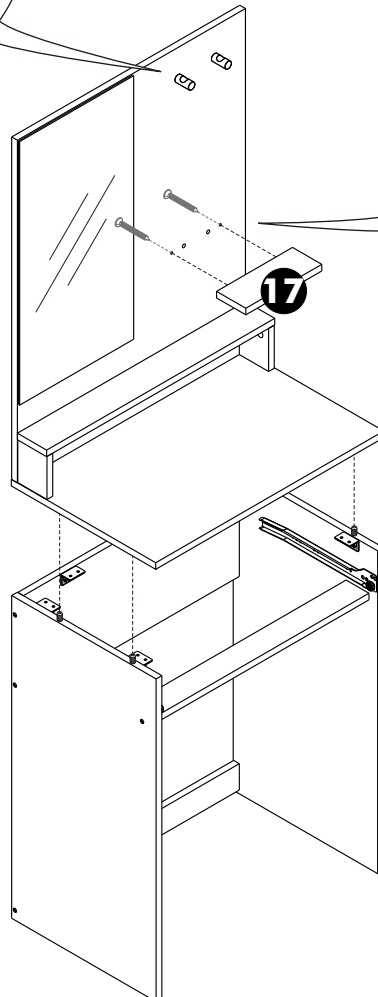
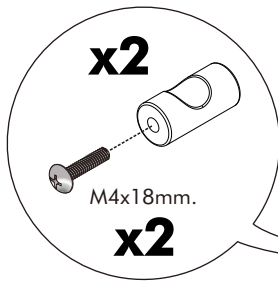
## 2.



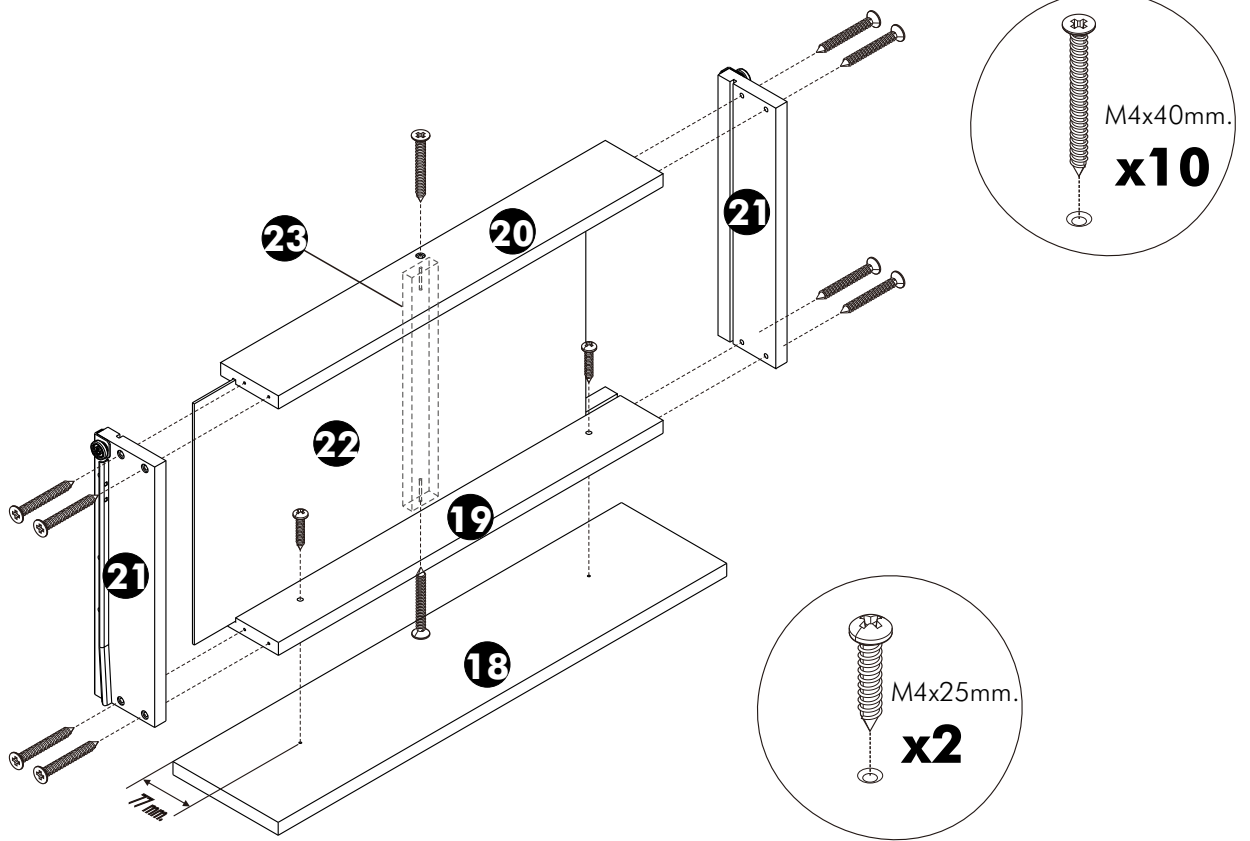
**3.**



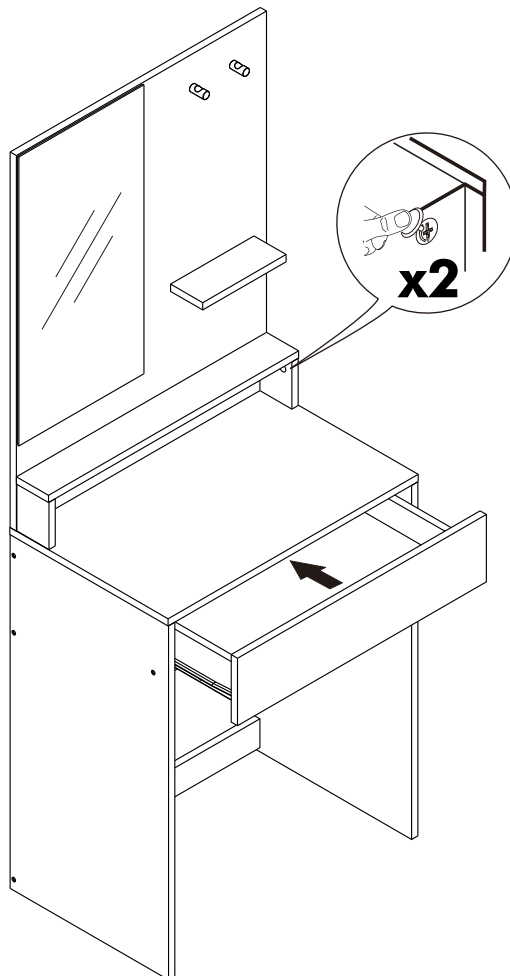
**4.**



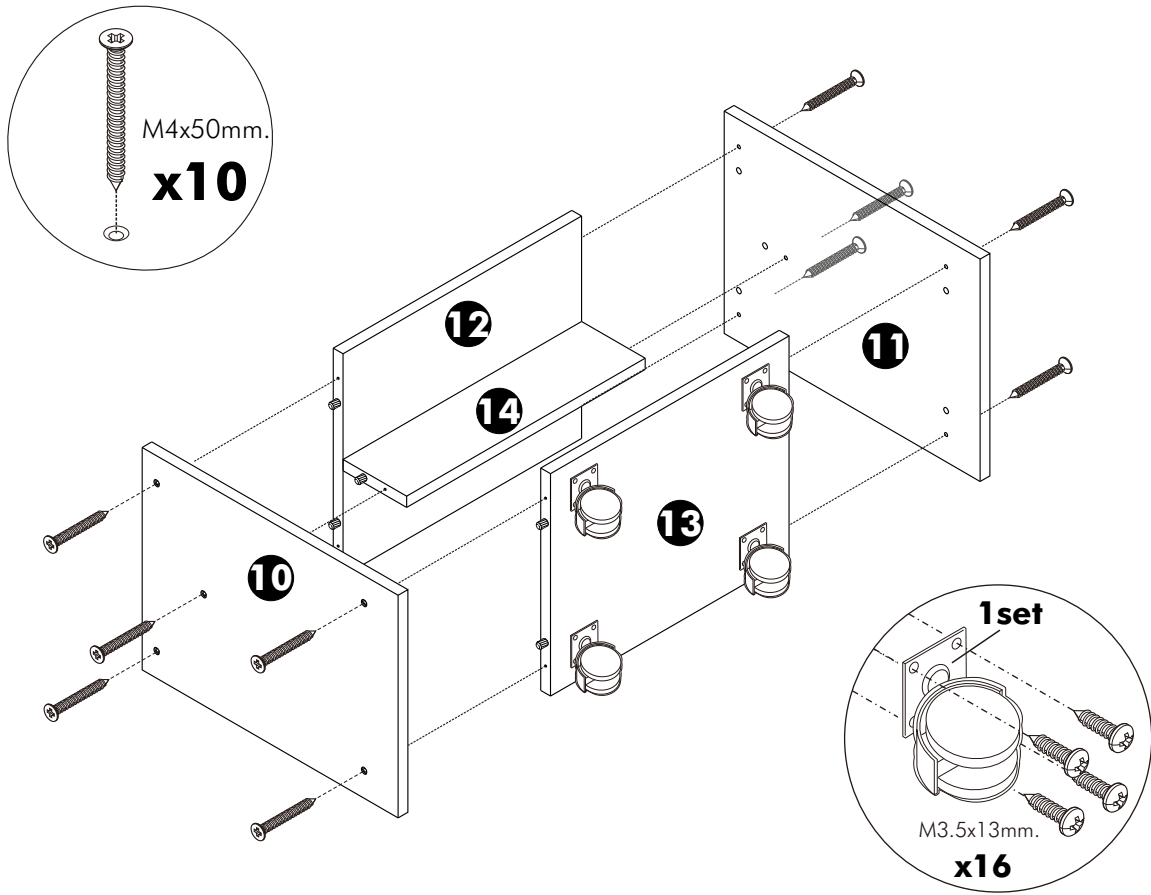
5.



6.



**7.**



**8.**

