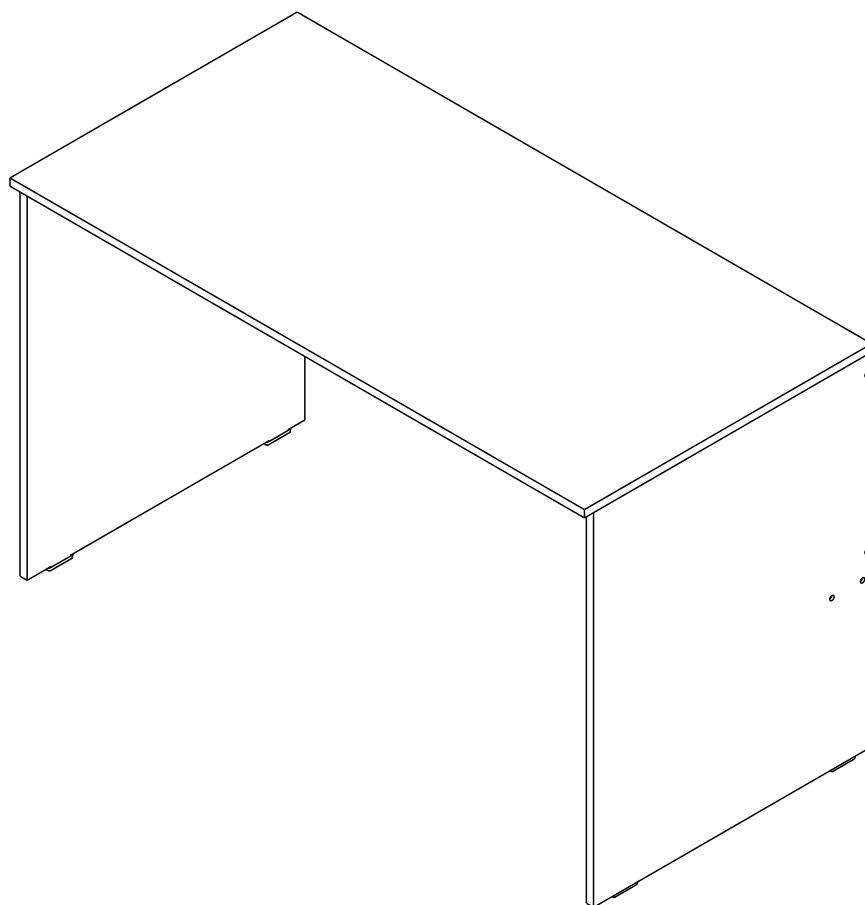


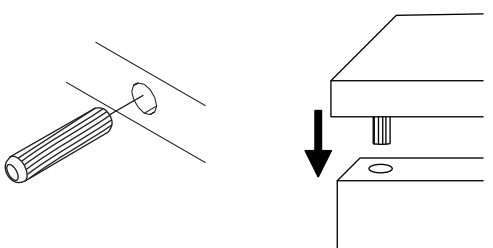
FORMA

Desk 120CM.

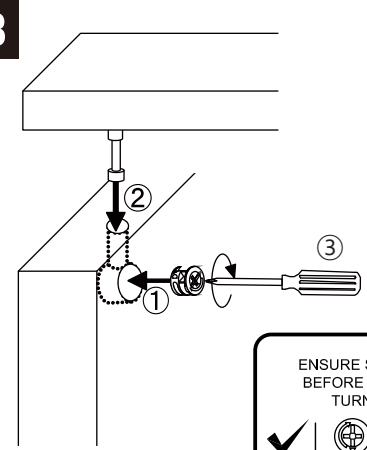


CONNECT SYSTEM

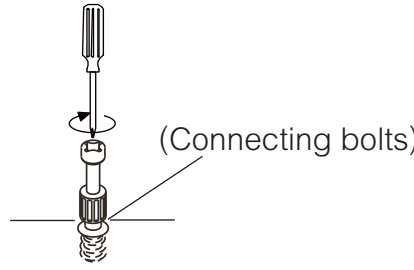
1



3




2



(Connecting bolts)

WHEN FITTING CAMS
 ENSURE STARTING POSITION IS CORRECT
 BEFORE YOU INSERT CONNECTING BOLT
 TURN CLOCKWISE UNTIL SECURE


✓



↑

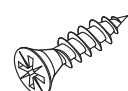
CORRECT

✗

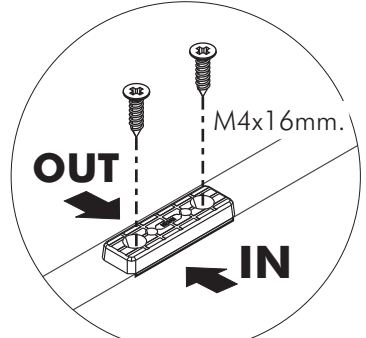


↓

WRONG



M4x16mm.




OUT

IN

M4x16mm.

i


40mm.



☹

☒

EQ

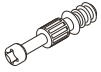


☺

☑

HARDWARE

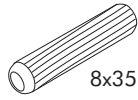
-BODY SET



x 8

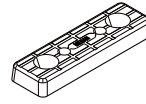


x 8

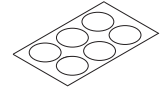


8x35mm.

x 18



x 4



x 8



M4x50mm.

x 12



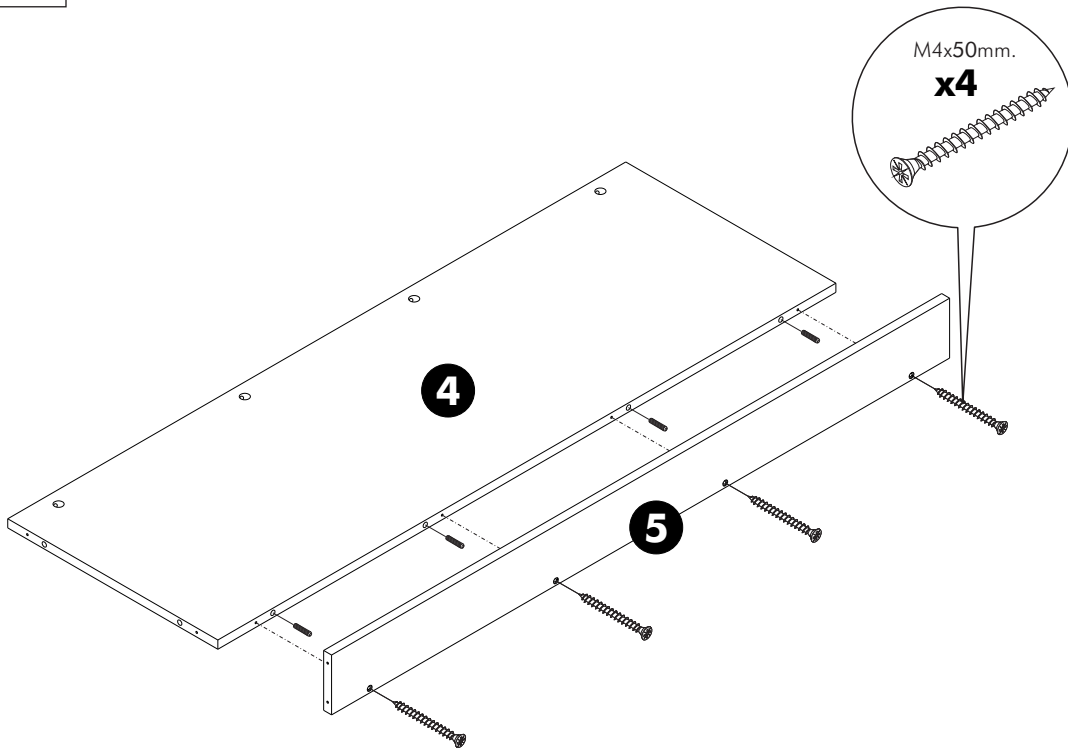
M4x16mm.

x 8

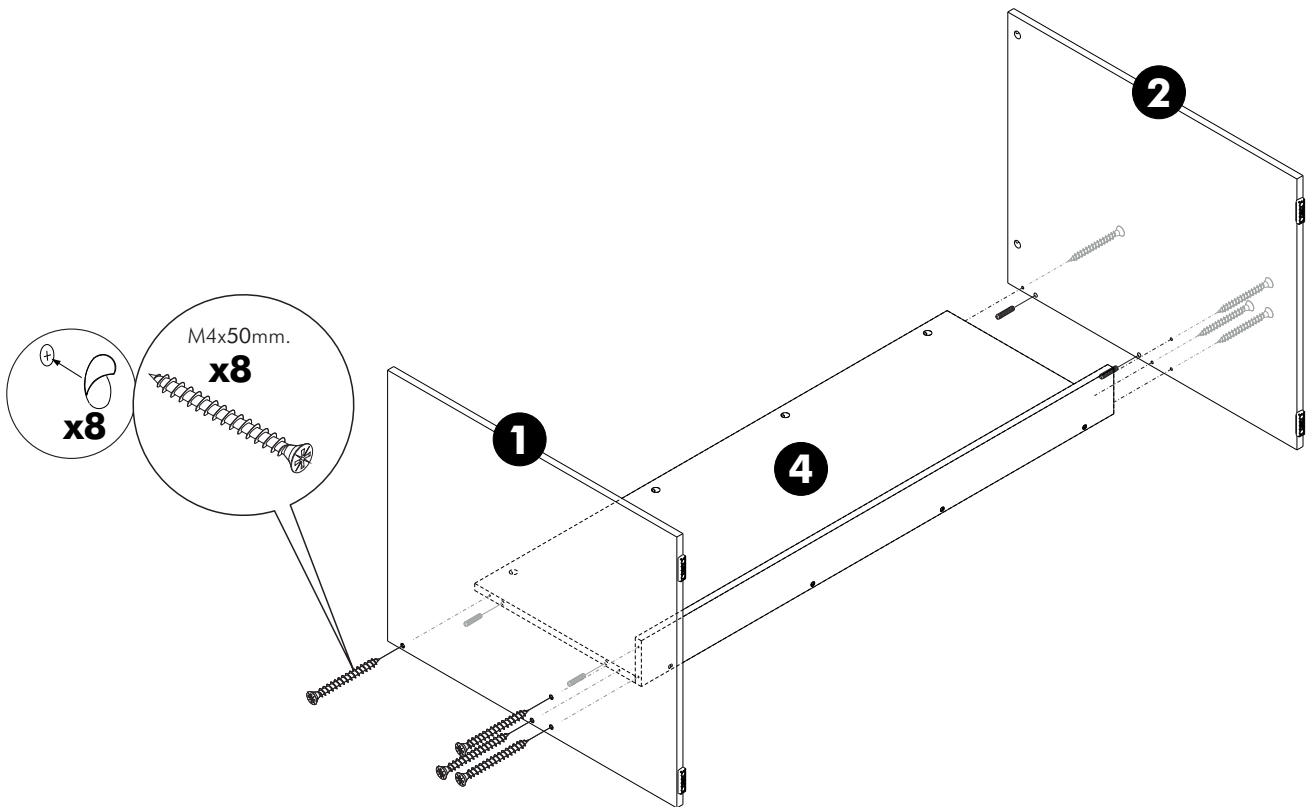
ASSEMBLY

-BODY SET

1.



2.



3.

