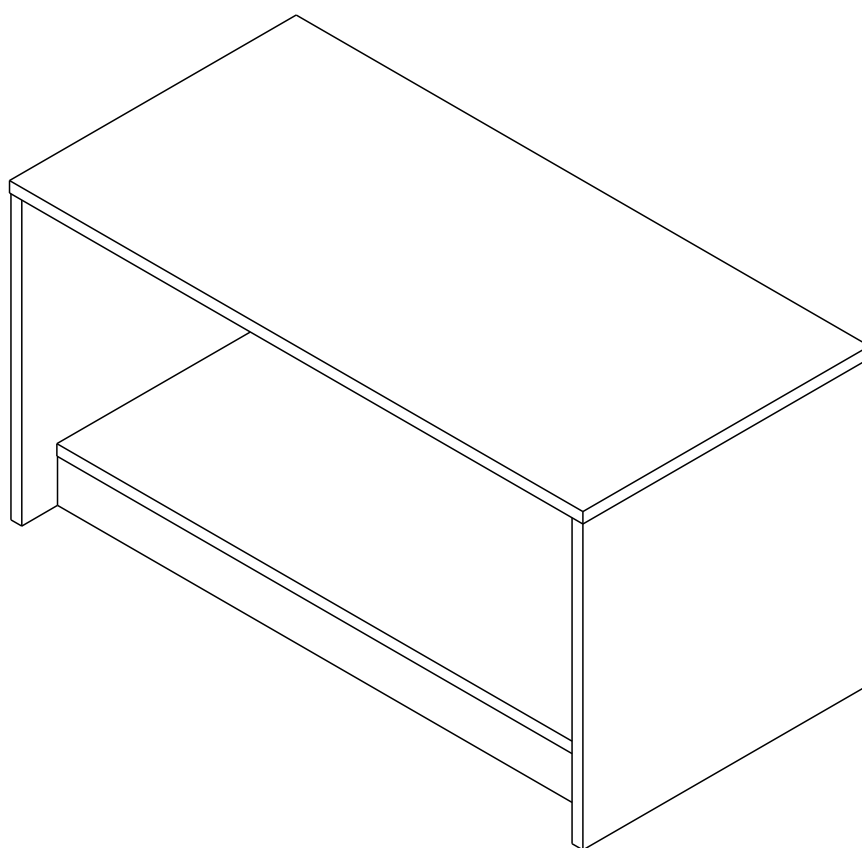


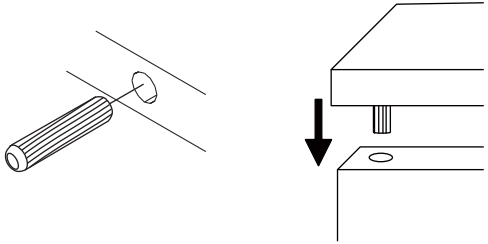
MIA/P

Coffee t.80 cm(Square)

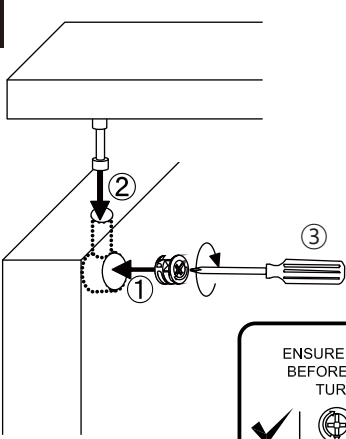


CONNECT SYSTEM

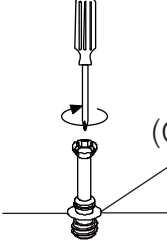
1



3



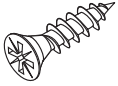
2



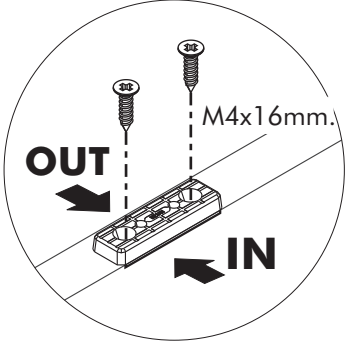
(Connecting bolts)

WHEN FITTING CAMS
 ENSURE STARTING POSITION IS CORRECT
 BEFORE YOU INSERT CONNECTING BOLT
 TURN CLOCKWISE UNTIL SECURE

✓				✗
↑				
CORRECT		WRONG		



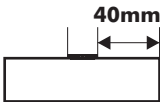
M4x16mm.



M4x16mm.

i

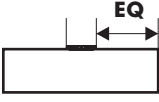
40mm.



☹️

✗

EQ

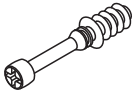


😊

✓

HARDWARE

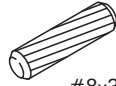
-BODY SET



x 4

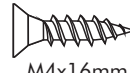


x 4



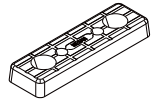
#8x35

x 20



M4x16mm.

x 16



x 8



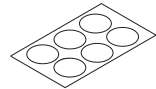
M4x45mm.

x 10



M4x45mm.

x 6

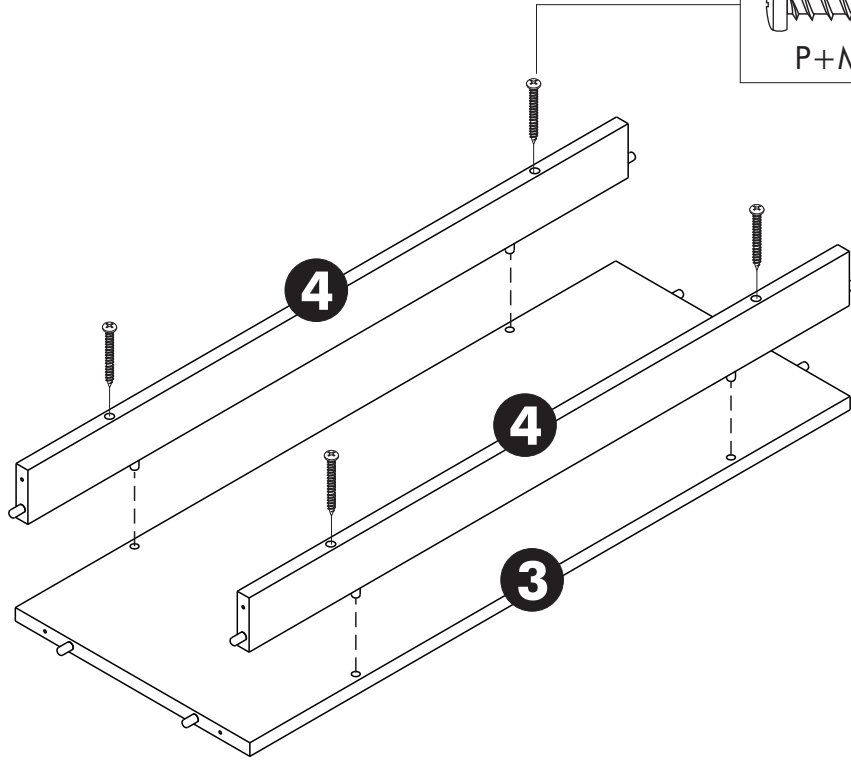


x 10

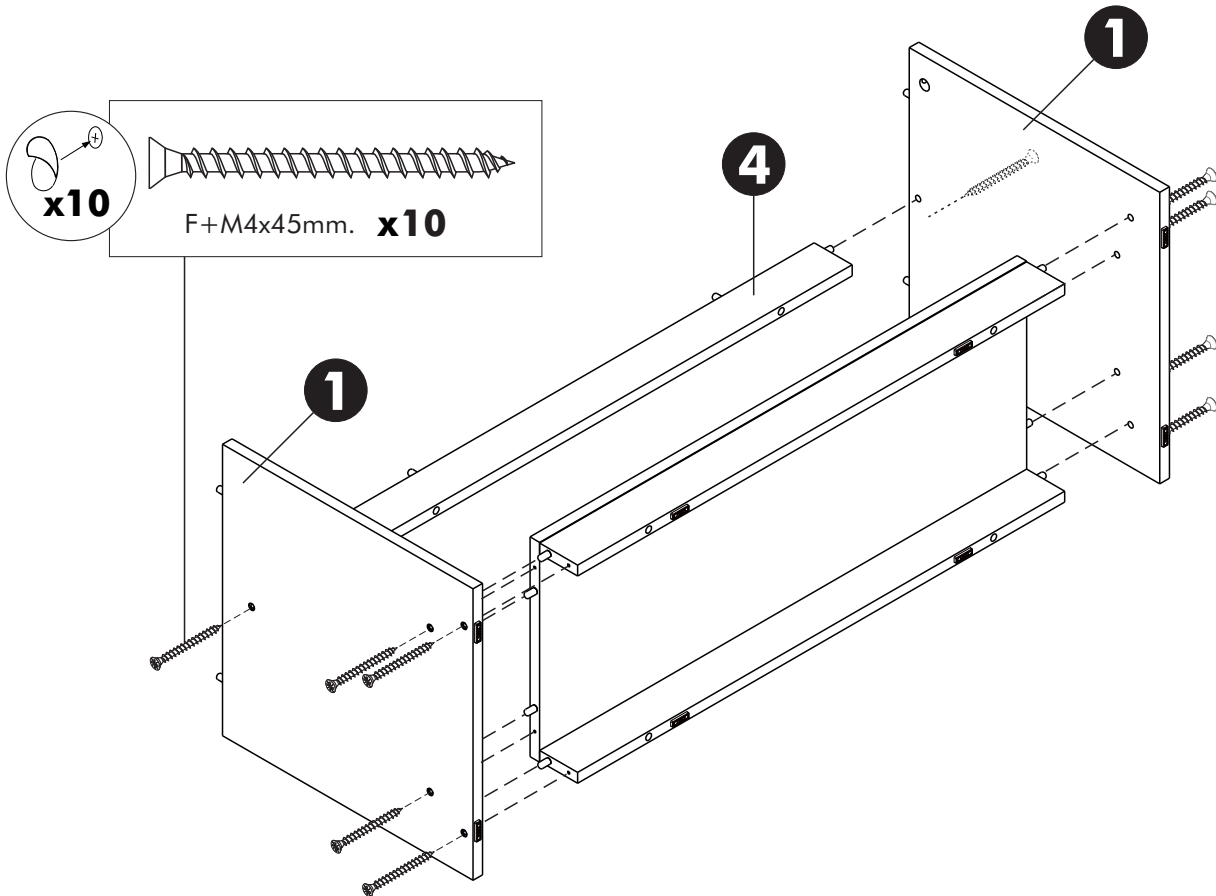
ASSEMBLY

-BODY SET

1.



2.



3.

