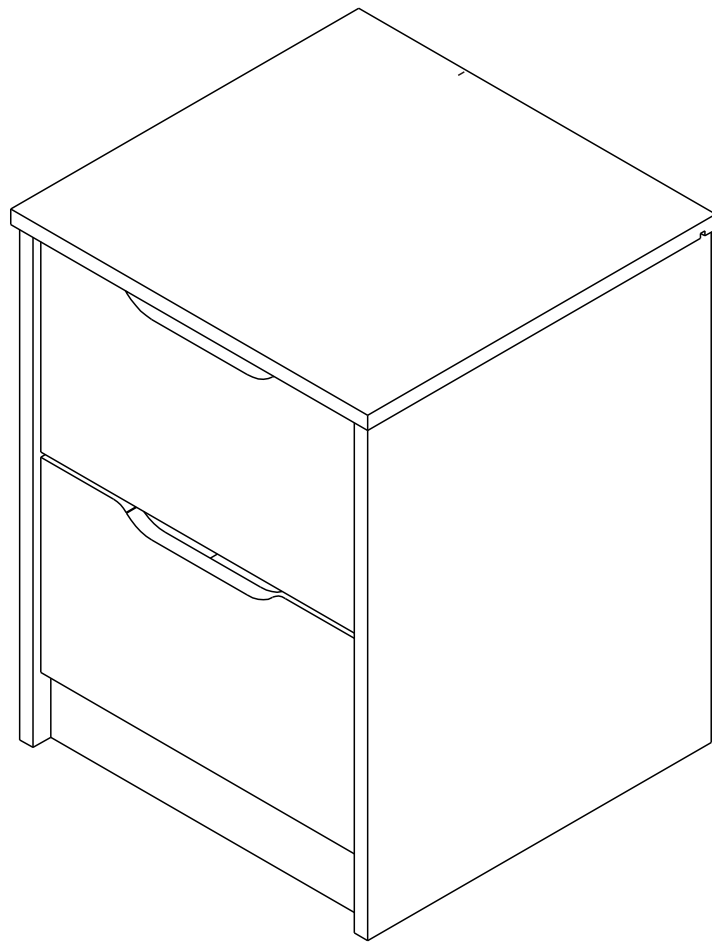


TIANA/P

Night Table NT



CONNECT SYSTEM

1

2

(Connecting bolts)

3

WHEN FITTING CAMS
 ENSURE STARTING POSITION IS CORRECT
 BEFORE YOU INSERT CONNECTING BOLT
 TURN CLOCKWISE UNTIL SECURE

✓				✗
	↑ CORRECT	↓ WRONG	← WRONG	

M4x16mm.

i

40mm.

☹️

☒

EQ

😊

☑️

M3.5x13mm.

M3.5x13mm.

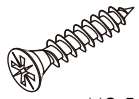
M3.5x13mm.

1

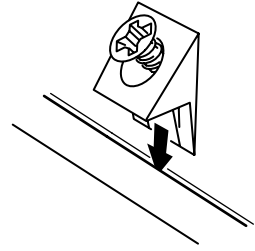
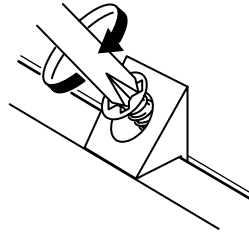
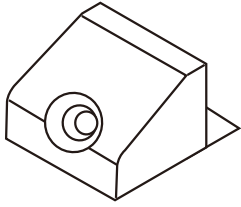
Use these holes

2

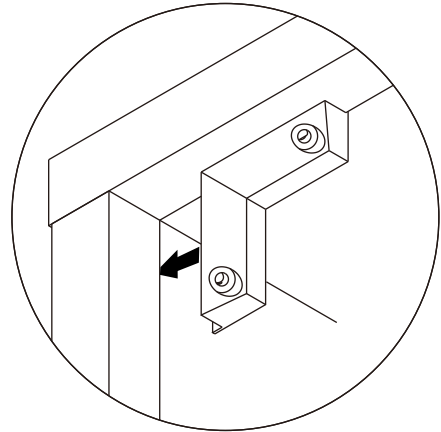
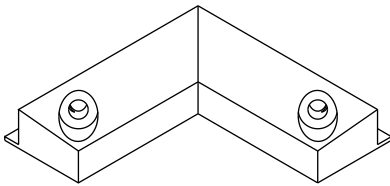
Use these holes

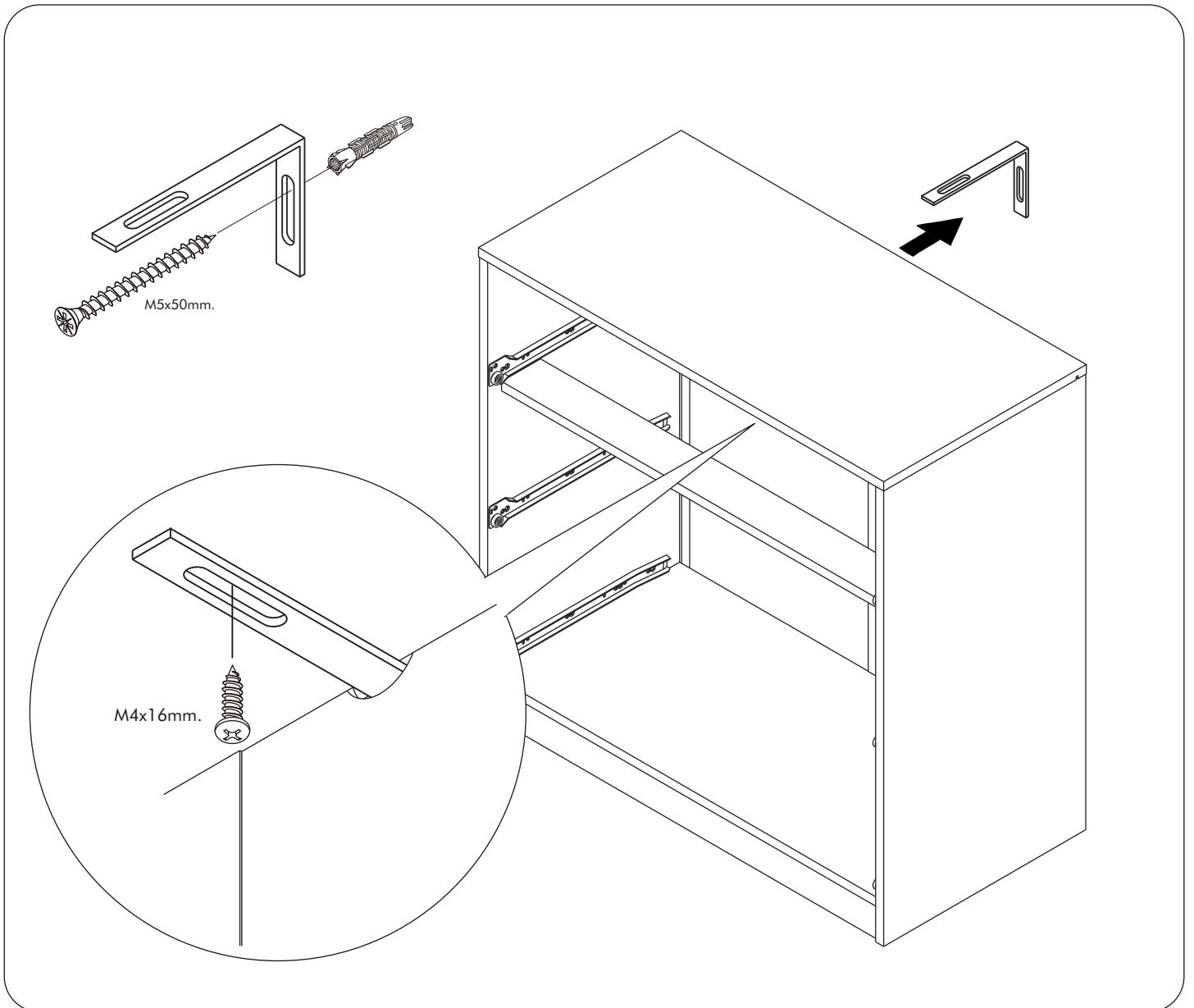
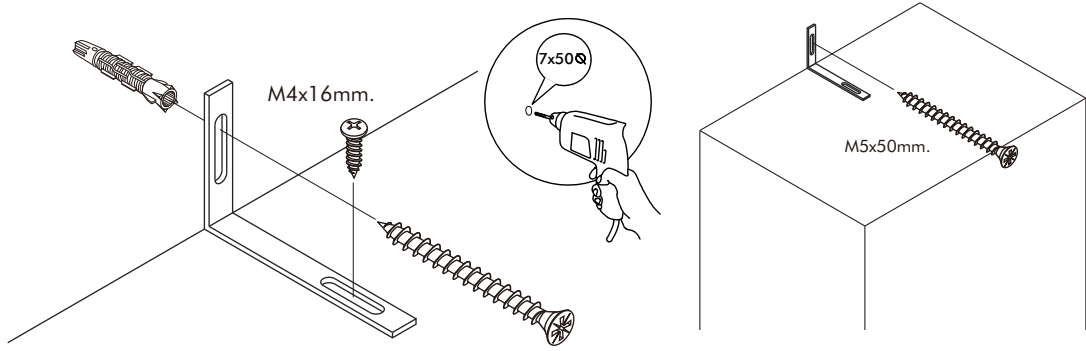
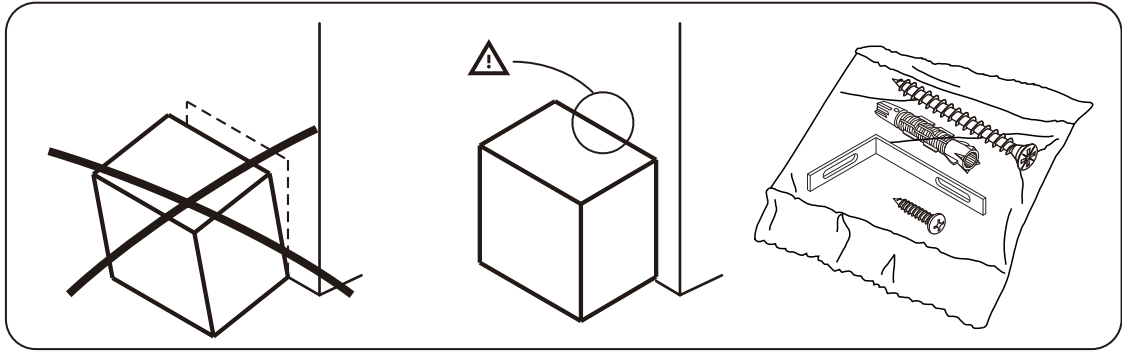


M3.5x20mm.



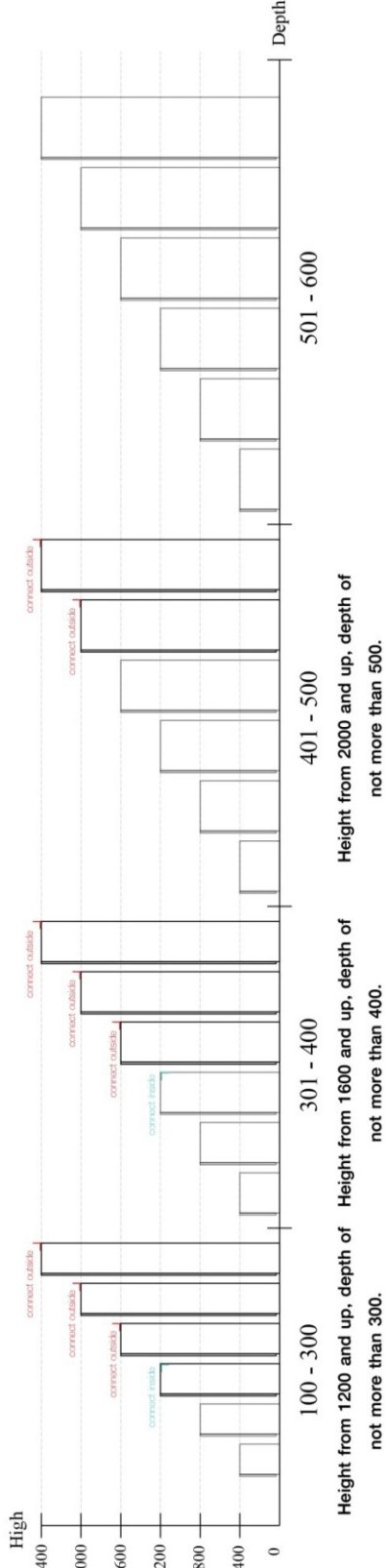
M3.5x20mm.



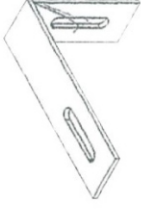


The Standard for identifying which mounted safety fall protection fitting to use **Note : That children's products must be installed with all anti-falling fittings.**

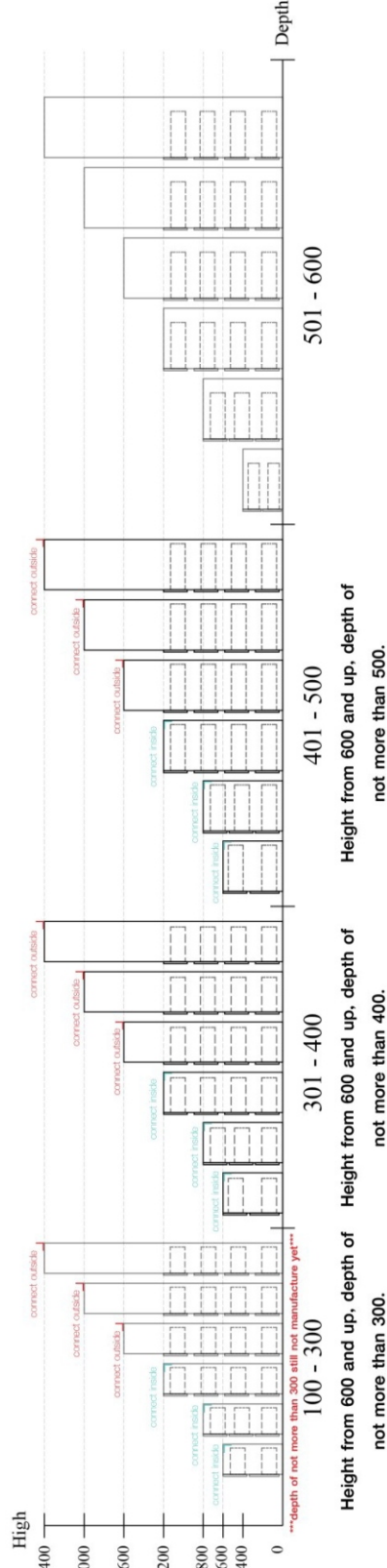
■ Category : Cabinet with open doors



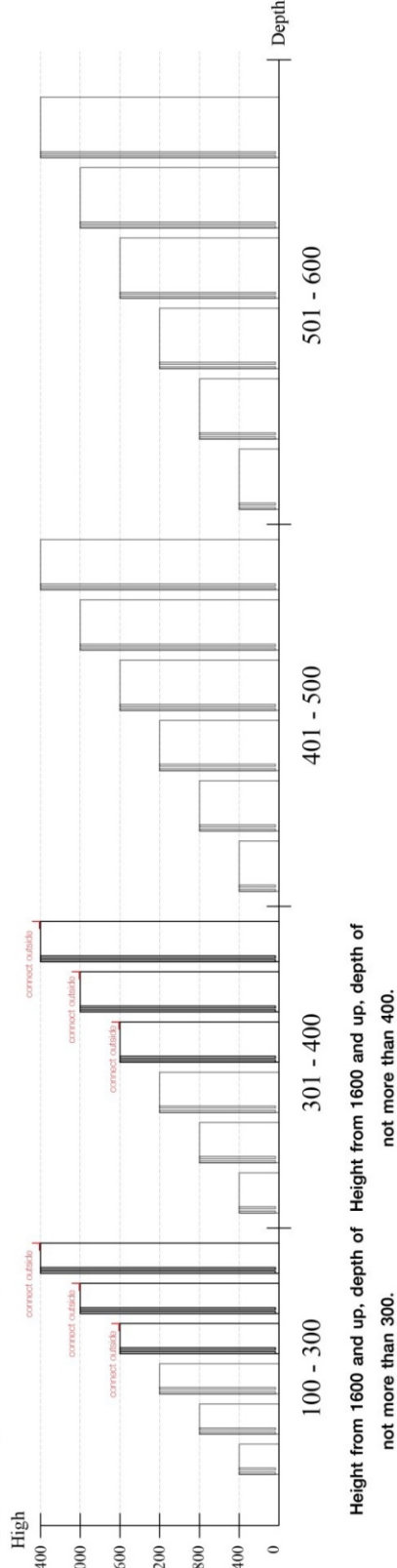
■ Mounted fall protection fittings



■ Category : Chest of drawers

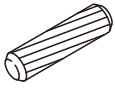


■ Category : Sliding door cabinet / Open cabinet

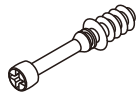


HARDWARE

-BODY SET



x 8



x 16

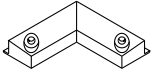


x 16

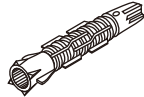


M4x16mm.

x 16



x 2

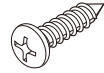


x 1



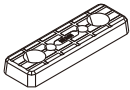
M5x50mm.

x 1



M4x13mm.

x 2

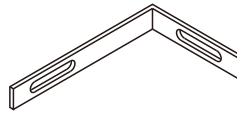


x 8

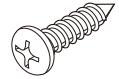


M3.5x20mm.

x 6



x 1



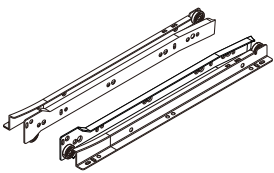
M4x16mm.

x 1



x 2

-DRAWER SET

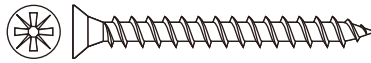


x 2



M3.5x13mm.

x 28



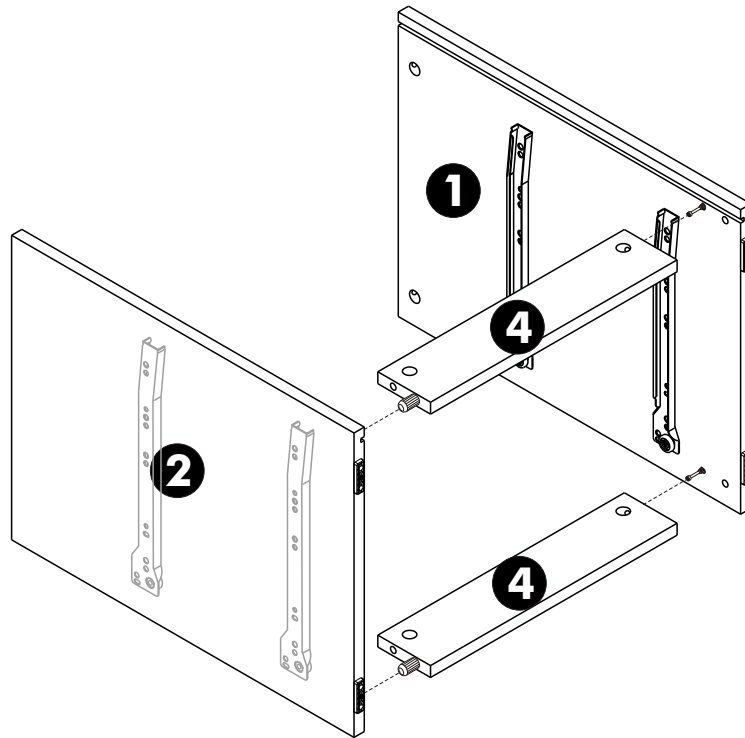
M4x40mm.

x 8

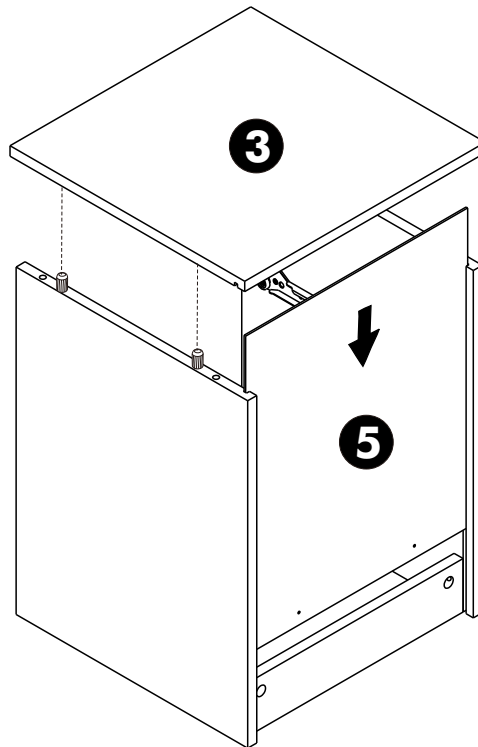
ASSEMBLY

-BODY SET

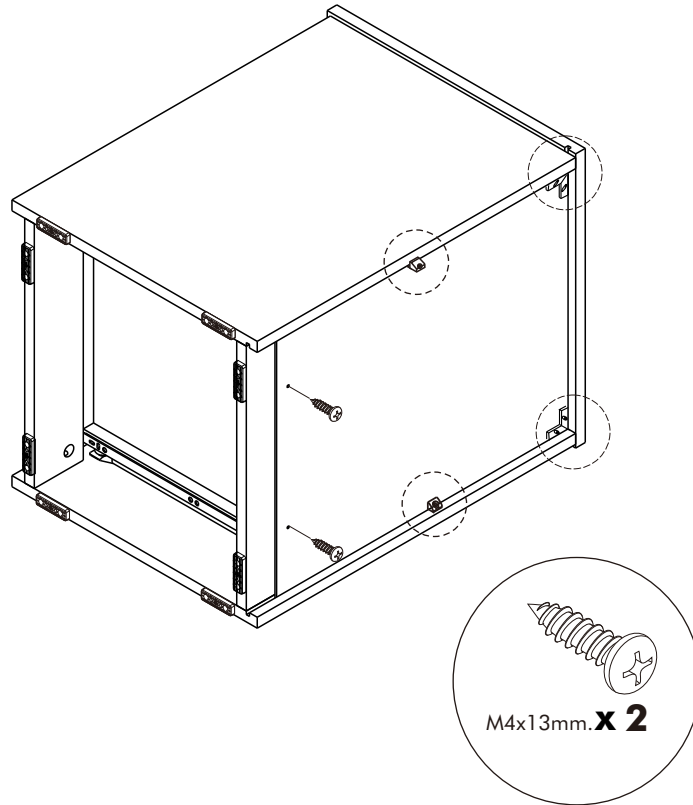
1.



2.



3.

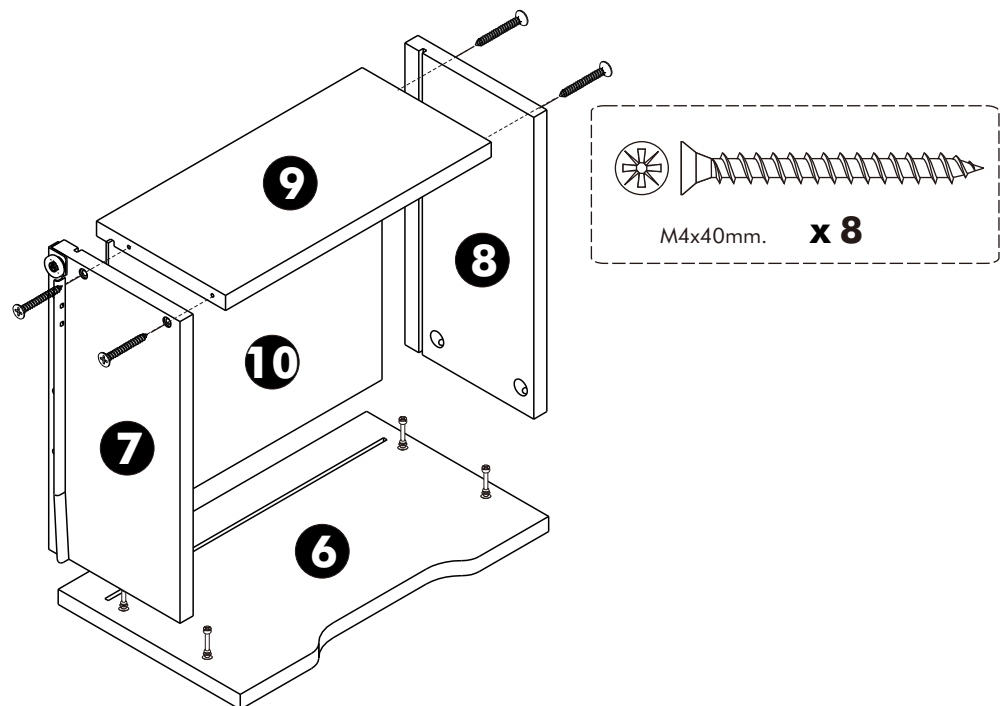


4.

ASSEMBLY

-DRAWER SET

2 SET.



5.

