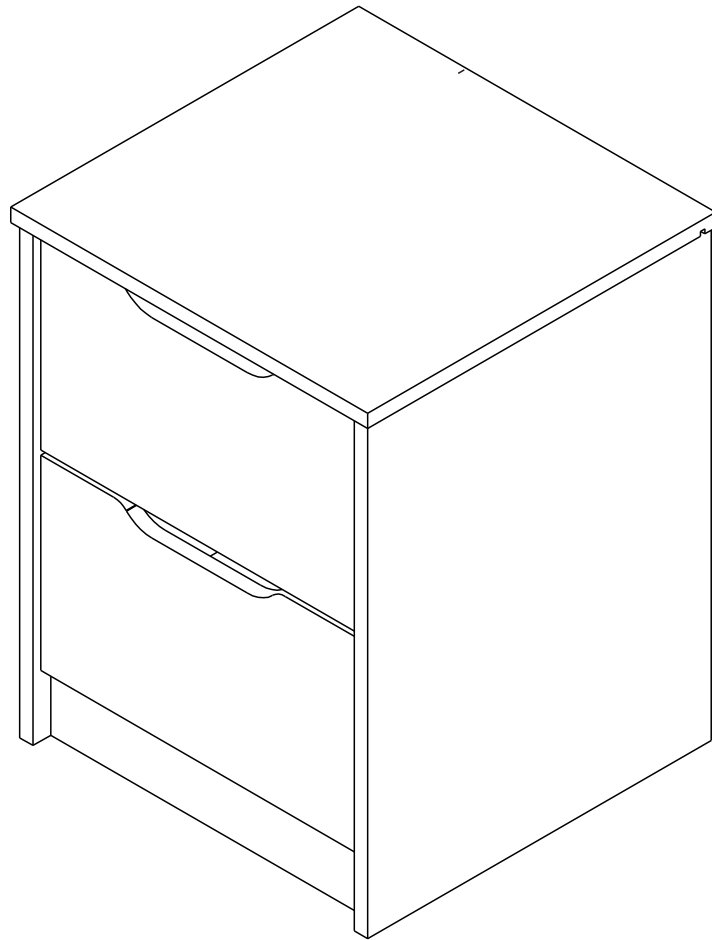
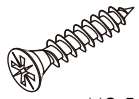


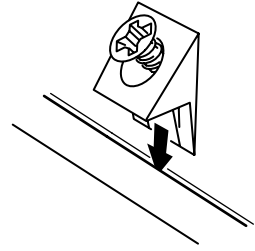
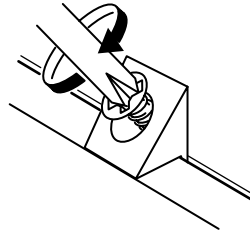
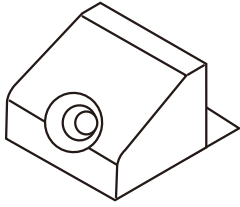
TIANA/P

Night Table WT

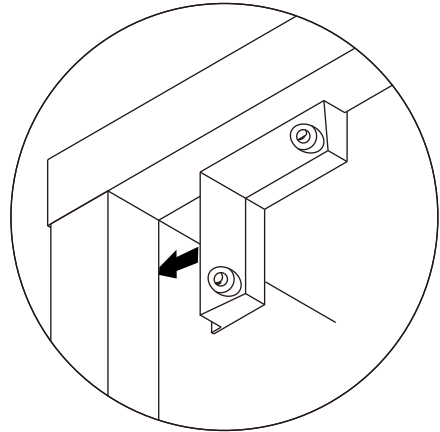
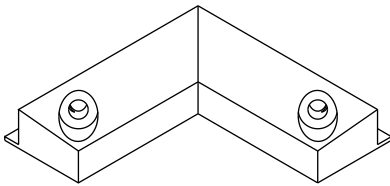


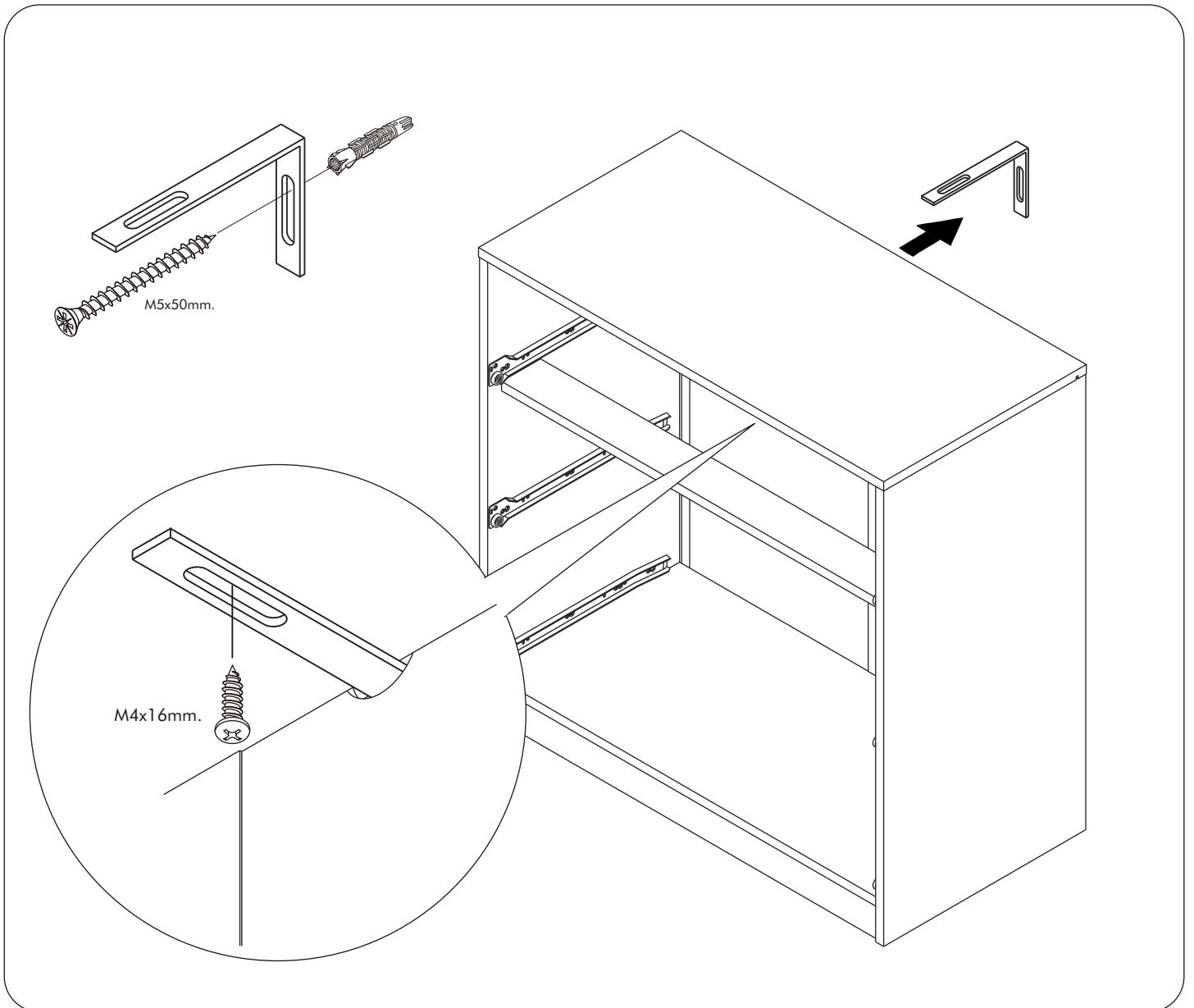
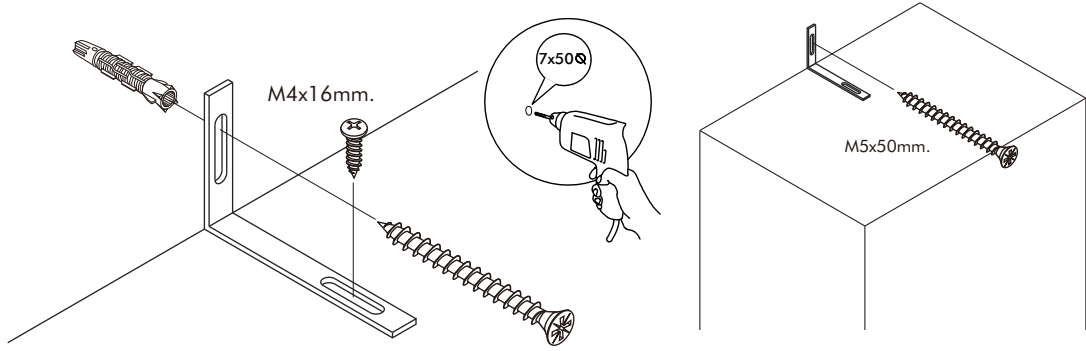
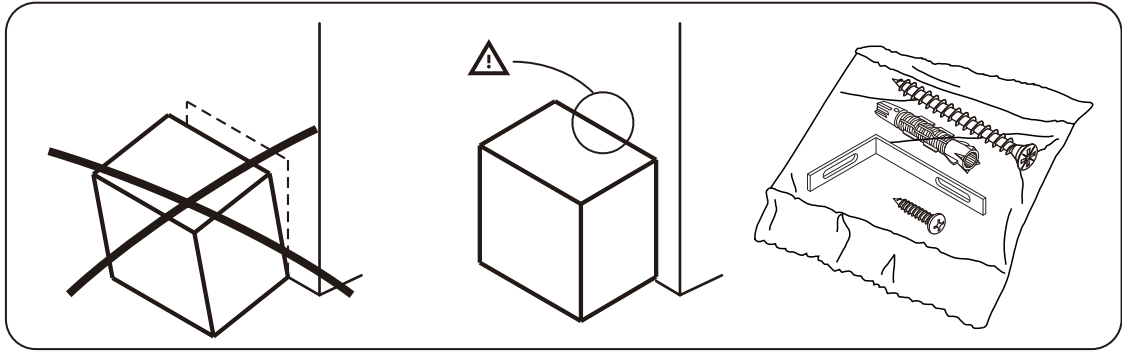


M3.5x20mm.



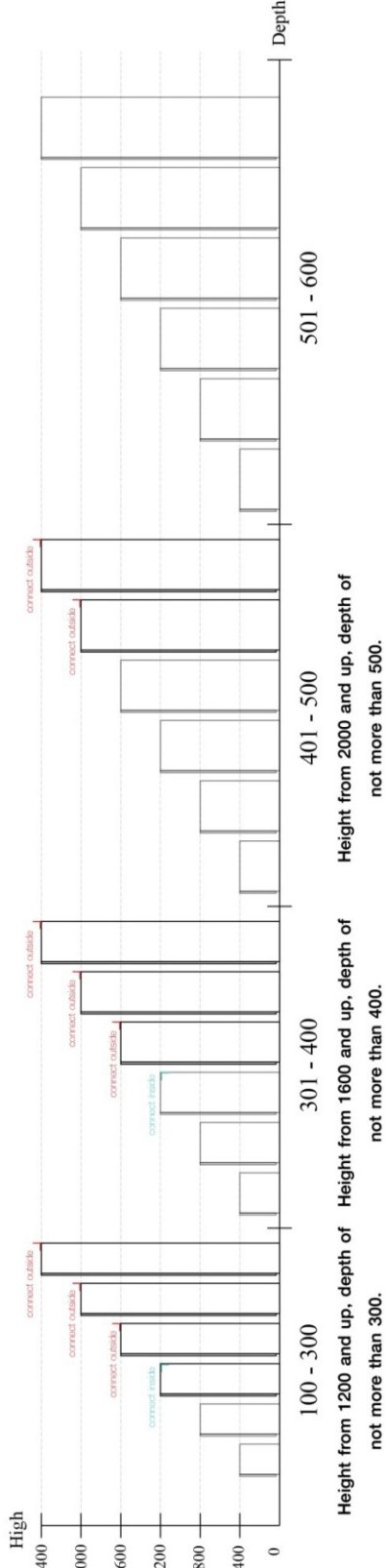
M3.5x20mm.



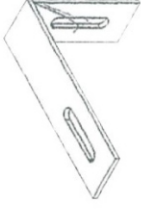


The Standard for identifying which mounted safety fall protection fitting to use **Note : That children's products must be installed with all anti-falling fittings.**

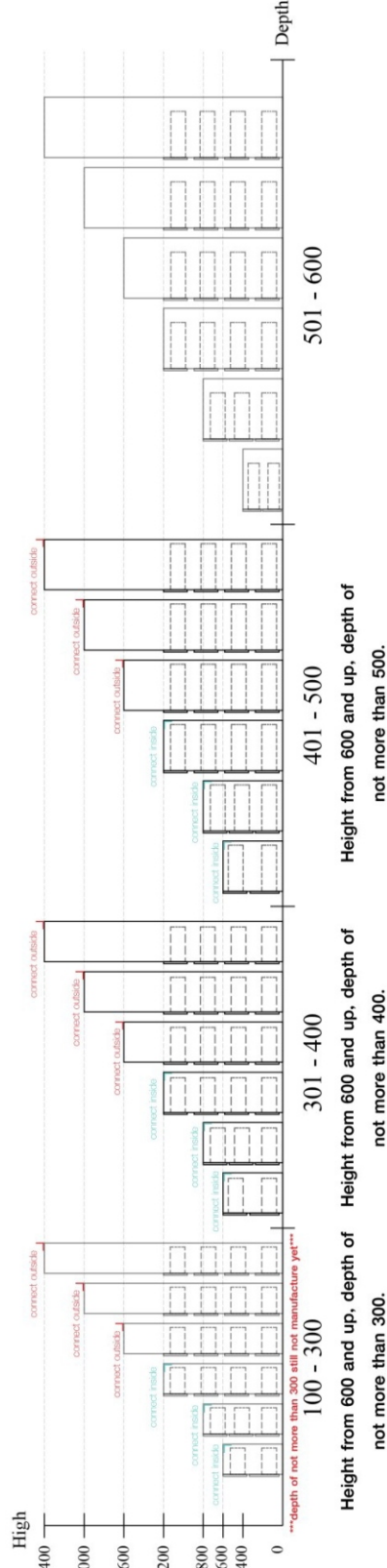
Category : Cabinet with open doors



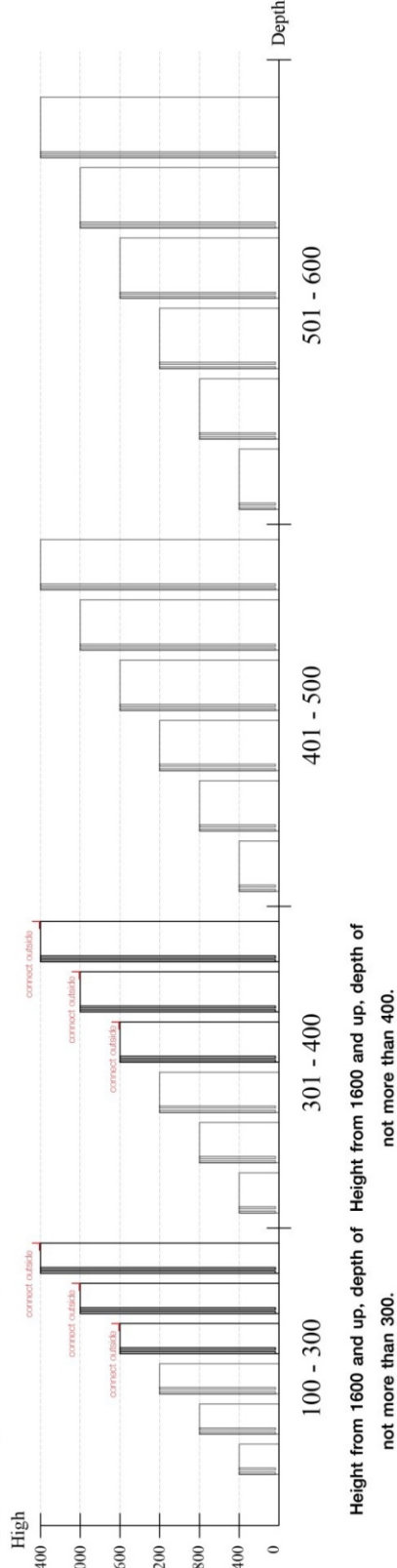
Mounted fall protection fittings



Category : Chest of drawers

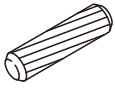


Category : Sliding door cabinet / Open cabinet

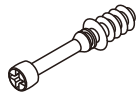


HARDWARE

-BODY SET



x 8



x 16

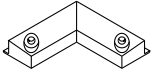


x 16

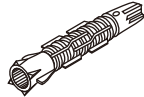


M4x16mm.

x 16



x 2

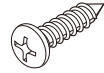


x 1



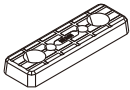
M5x50mm.

x 1



M4x13mm.

x 2

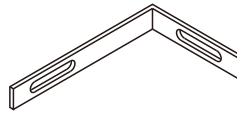


x 8

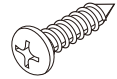


M3.5x20mm.

x 6



x 1



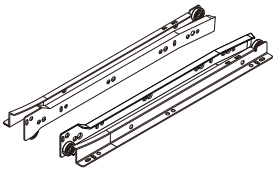
M4x16mm.

x 1



x 2

-DRAWER SET

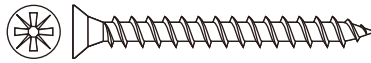


x 2



M3.5x13mm.

x 28



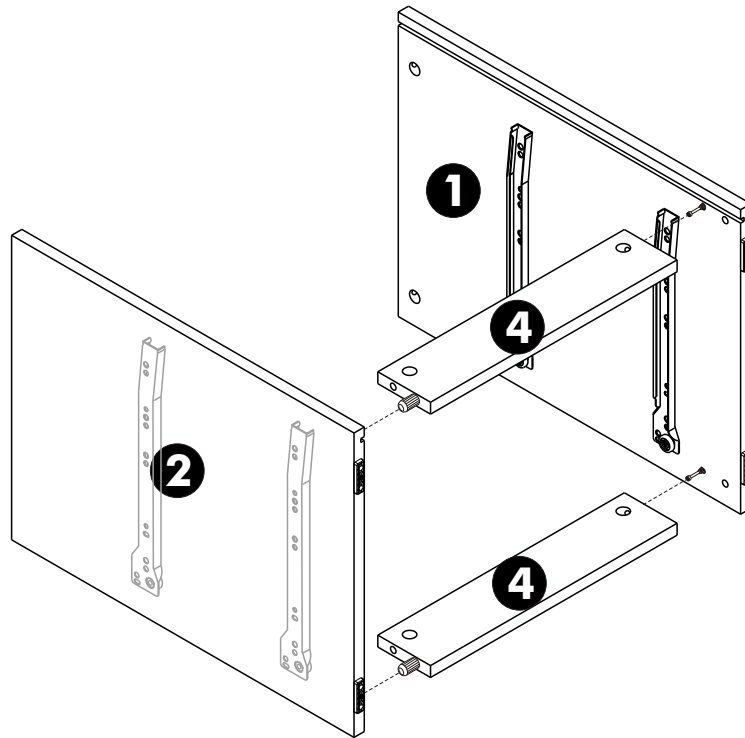
M4x40mm.

x 8

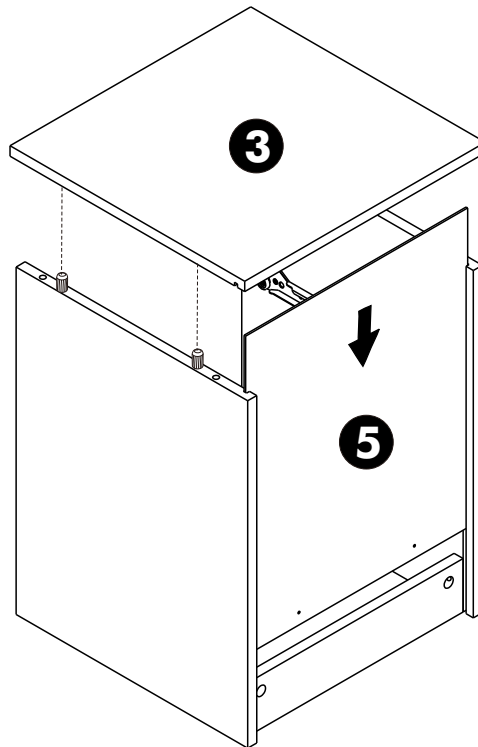
ASSEMBLY

-BODY SET

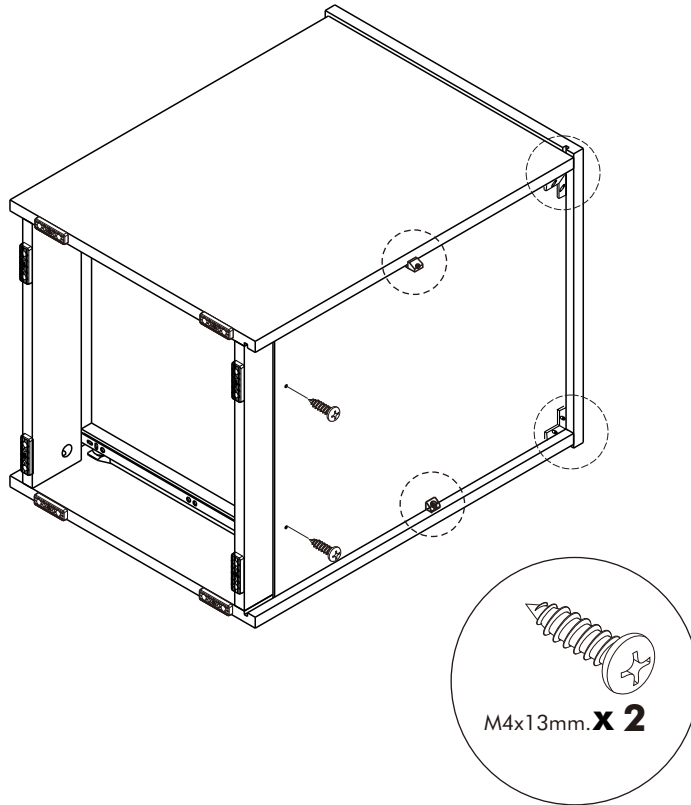
1.



2.



3.

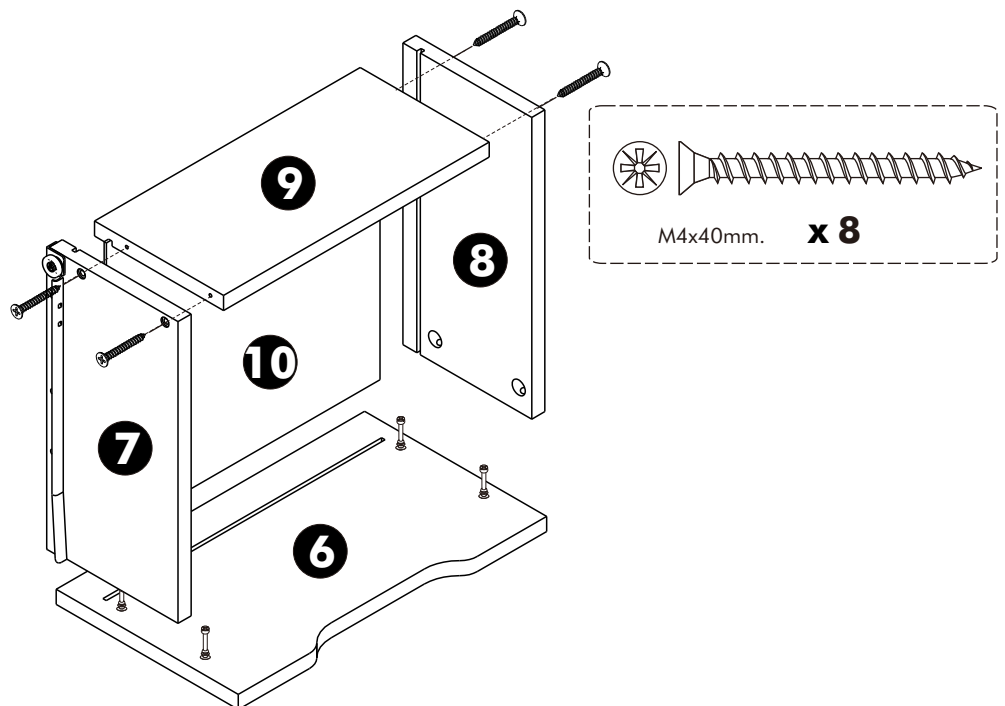


4.

ASSEMBLY

-DRAWER SET

2 SET.



5.

