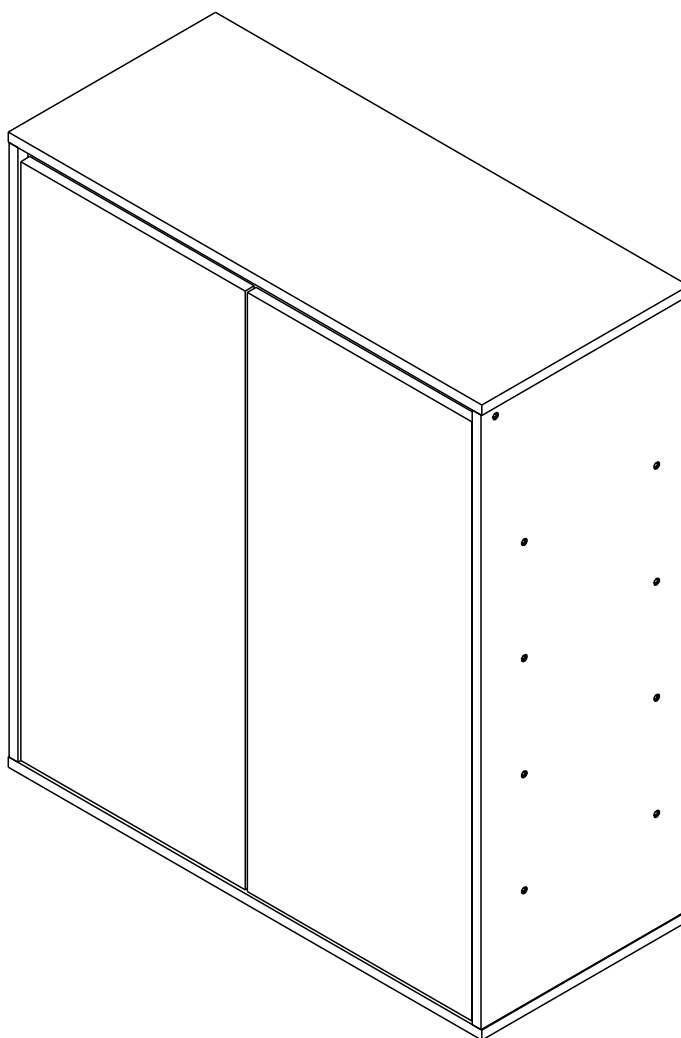


TIANA/P

Shoe cabinet 2D NT



CONNECT SYSTEM

1

3

2

(Connecting bolts)

WHEN FITTING CAMS
 ENSURE STARTING POSITION IS CORRECT
 BEFORE YOU INSERT CONNECTING BOLT
 TURN CLOCKWISE UNTIL SECURE

✓				✗
	CORRECT	WRONG		

M4x16mm.

OUT

IN

M4x16mm.

i

40mm.

☹️

☒

EQ

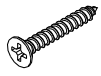
☺️

☑️

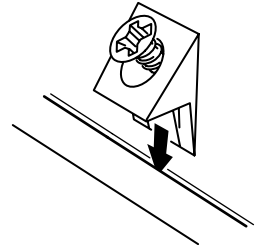
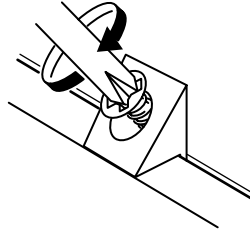
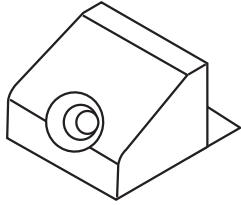
M4x16mm.

DOOR PANEL

CONNECT SYSTEM

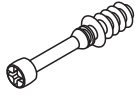


M3.5x20mm.



HARDWARE

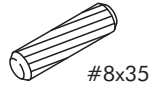
-BODY SET



x 4

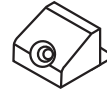


x 4

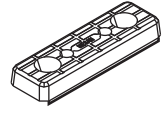


#8x35

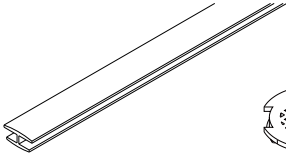
x 26



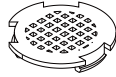
x 8



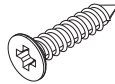
x 4



x 1



x 2



M3.5x20mm.

x 8



M4x25mm.

x4



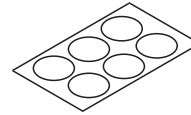
M4x16mm.

x 8



M4x45mm.

x22



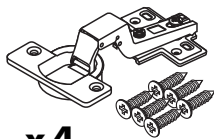
x22

HARDWARE

-DOOR SET



x 2

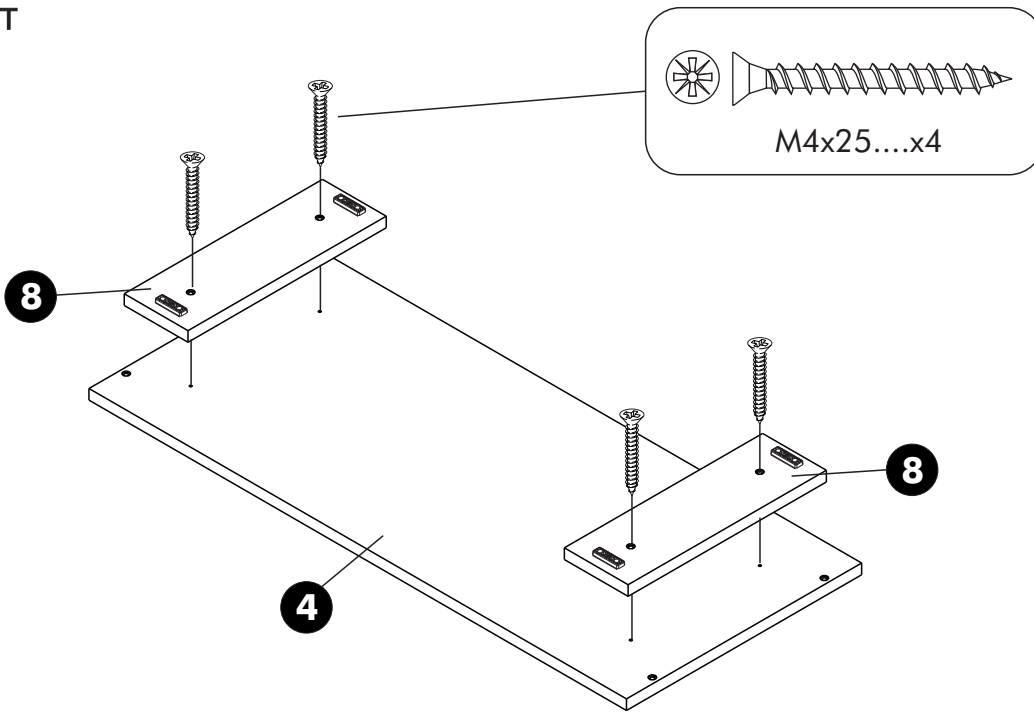


x 4

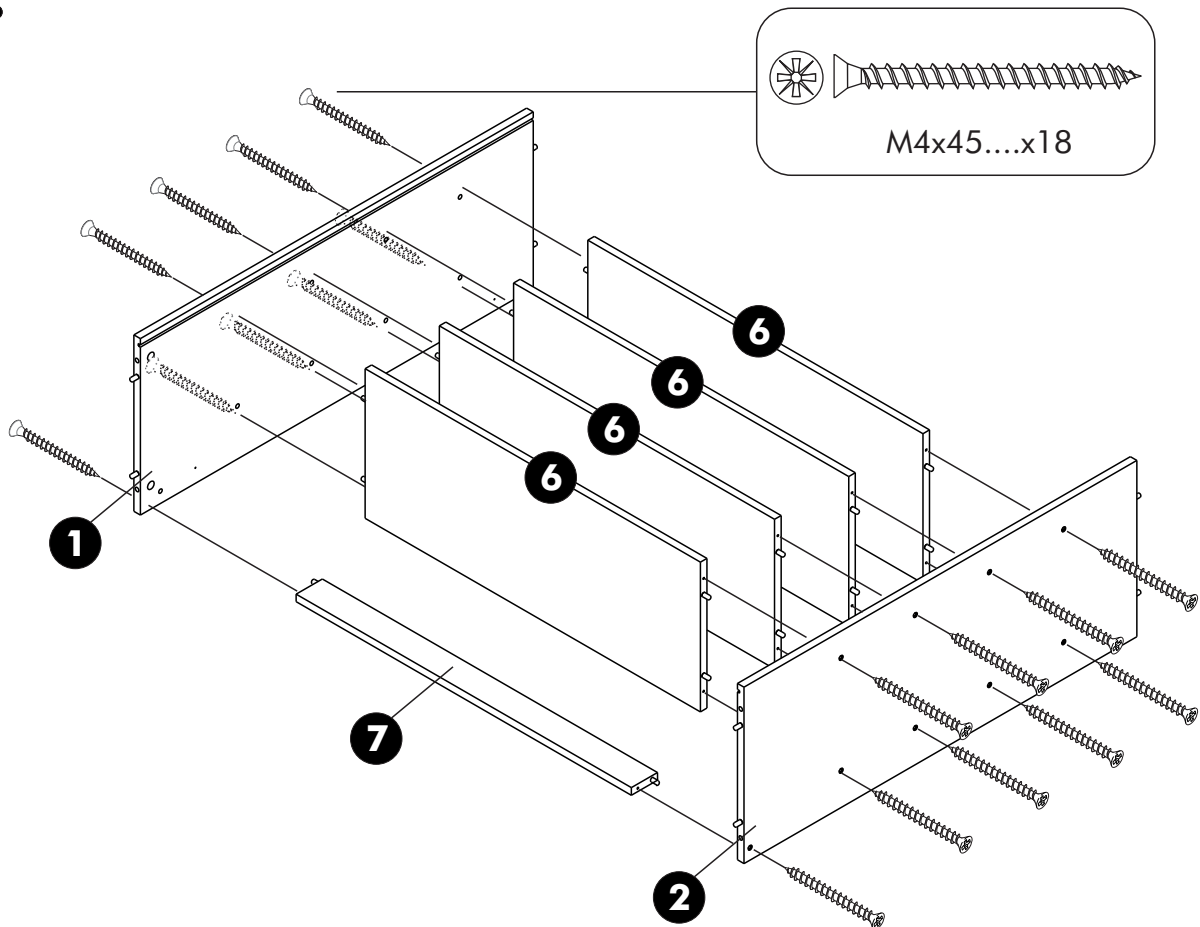
ASSEMBLY

-BODY SET

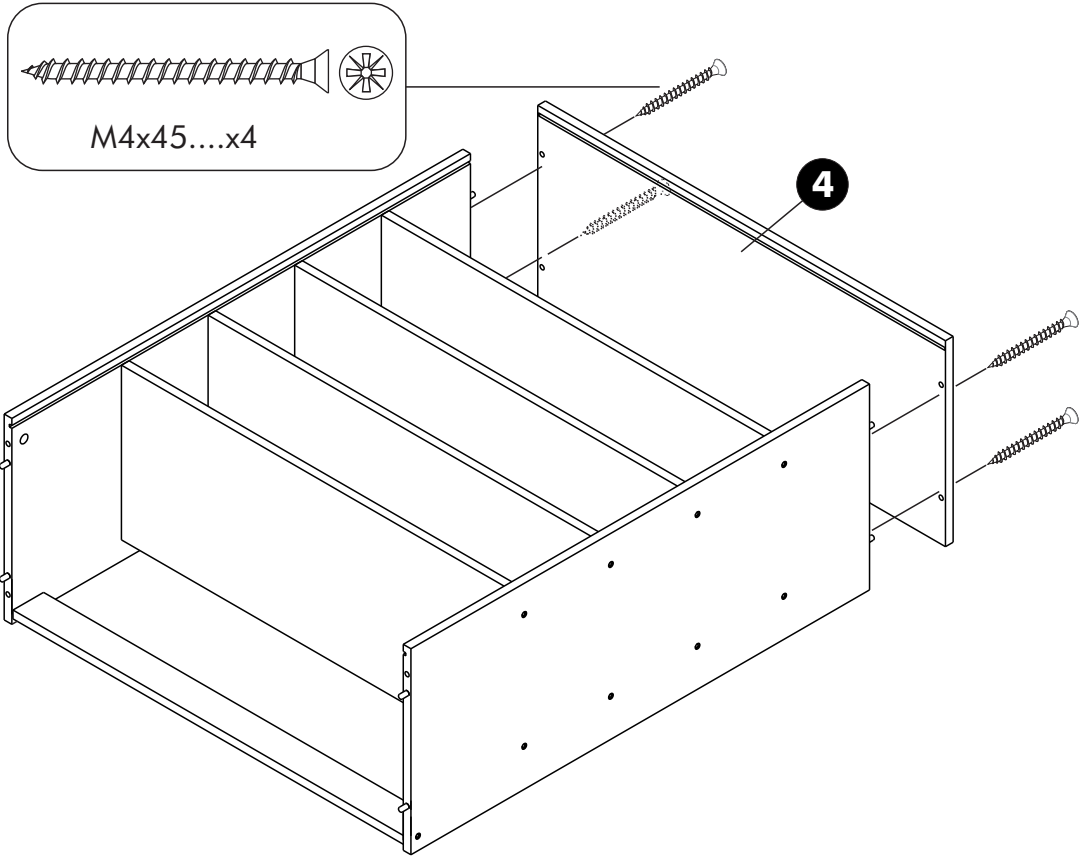
1.



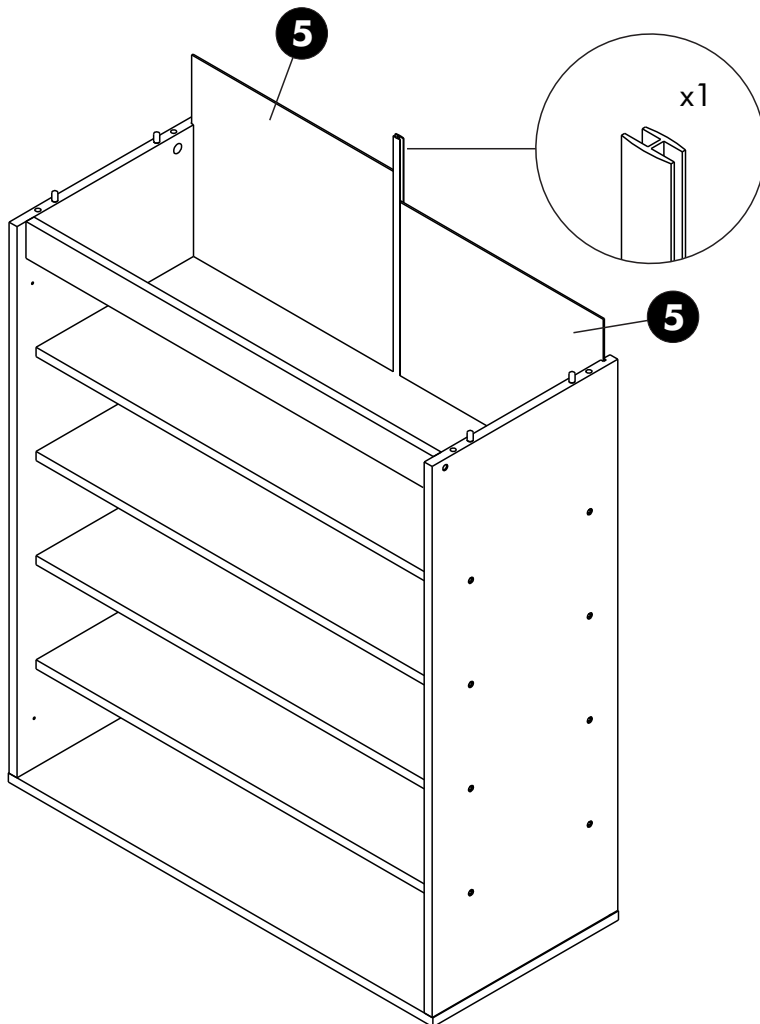
2.



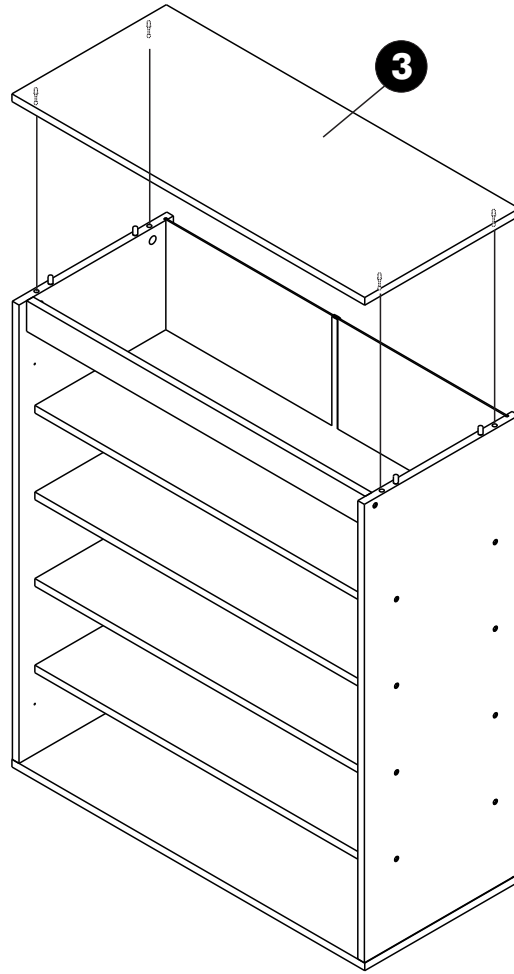
3.



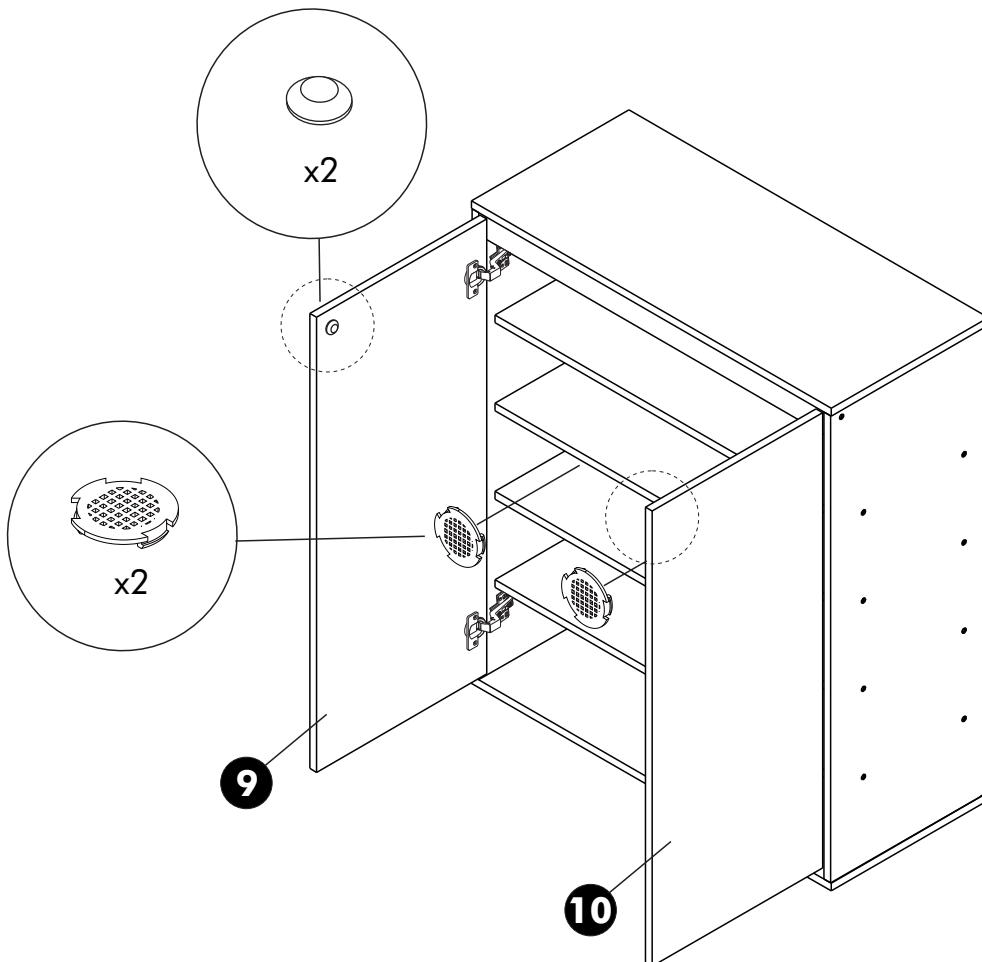
4.



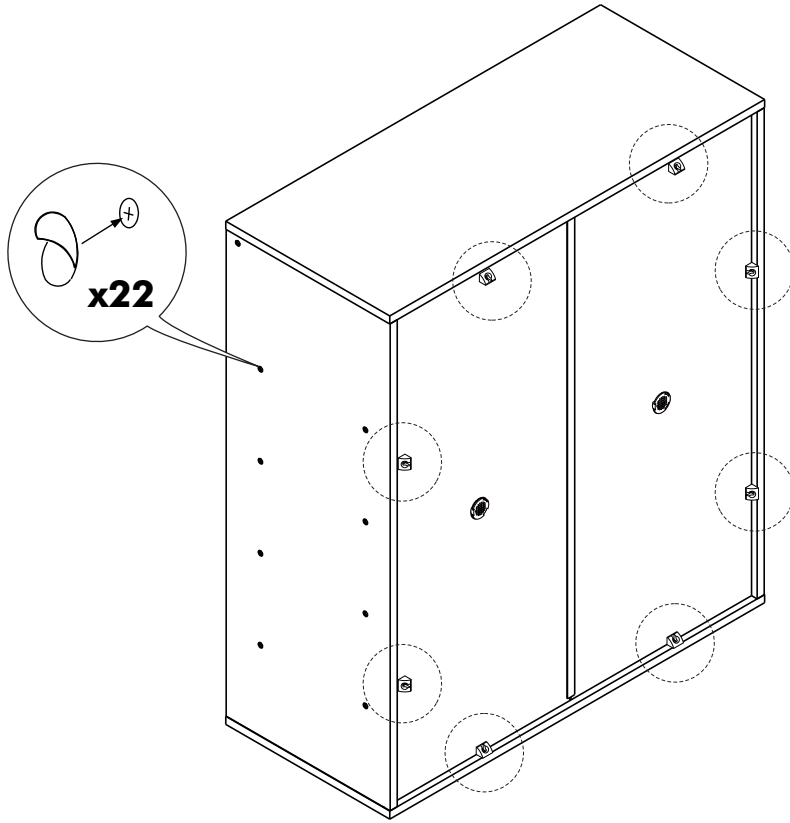
5.



6.



7.



M3.5x20mm.

