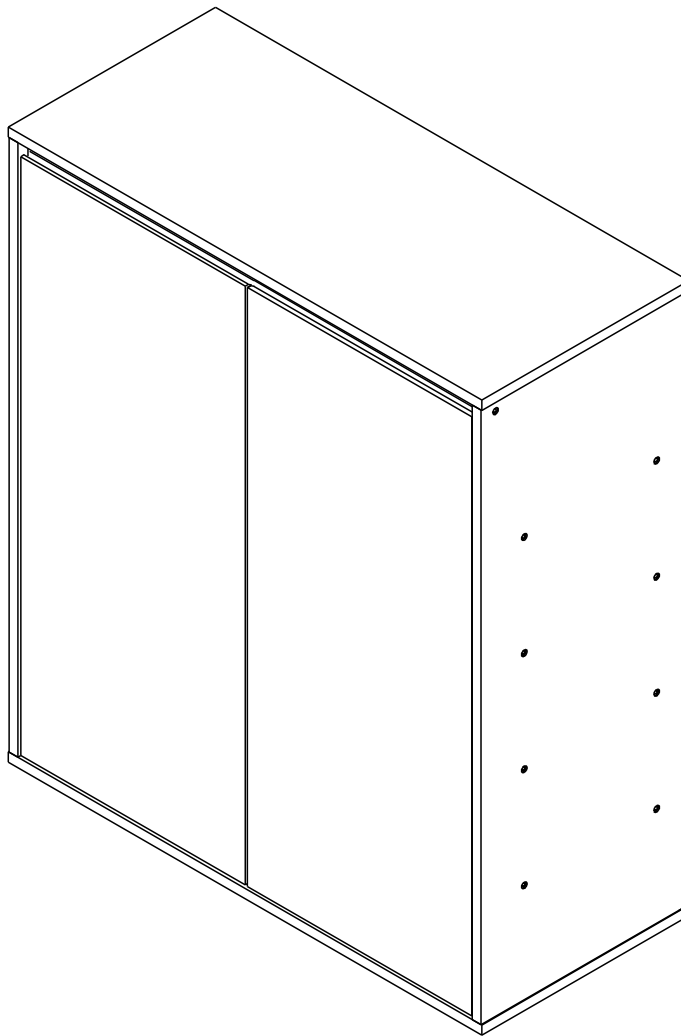


TIANA/P

Shoe cabinet 2D NT01



CONNECT SYSTEM

1

3

2

(Connecting bolts)

WHEN FITTING CAMS
 ENSURE STARTING POSITION IS CORRECT
 BEFORE YOU INSERT CONNECTING BOLT
 TURN CLOCKWISE UNTIL SECURE

✓					✗
	↑ CORRECT	WRONG			

M4x16mm.

M4x16mm.

i

40mm.

☹️

☒

EQ

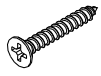
☺️

☑️

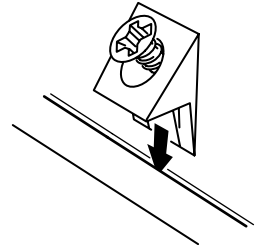
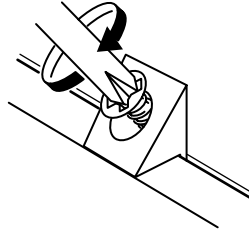
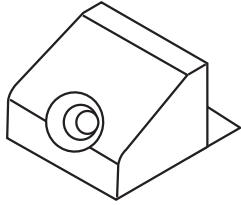
M4x16mm.

DOOR PANEL

CONNECT SYSTEM

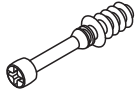


M3.5x20mm.



HARDWARE

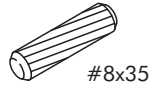
-BODY SET



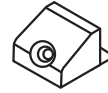
x 4



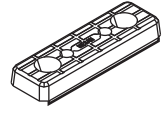
x 4



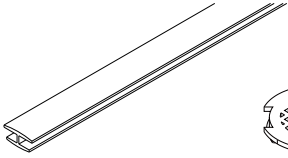
#8x35
x 26



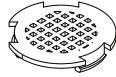
x 8



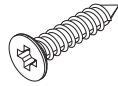
x 4



x 1



x 2



M3.5x20mm.
x 8



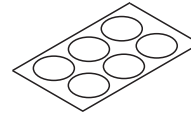
M4x25mm.
x 4



M4x16mm.
x 8



M4x45mm.
x 22



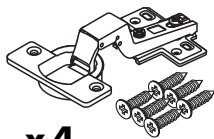
x 22

HARDWARE

-DOOR SET



x 2

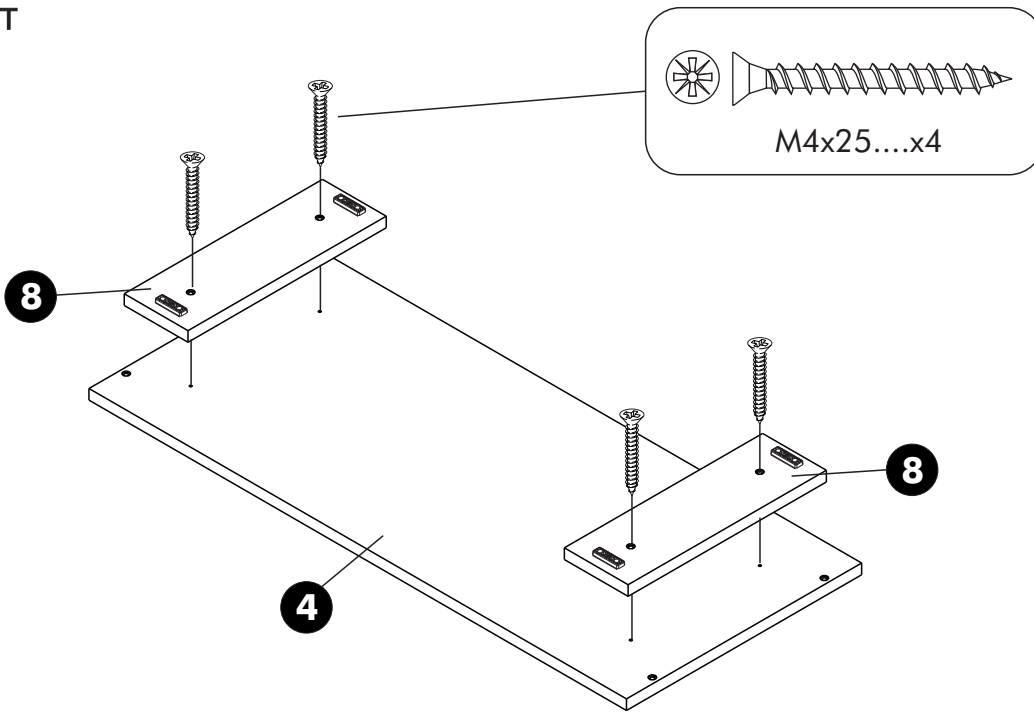


x 4

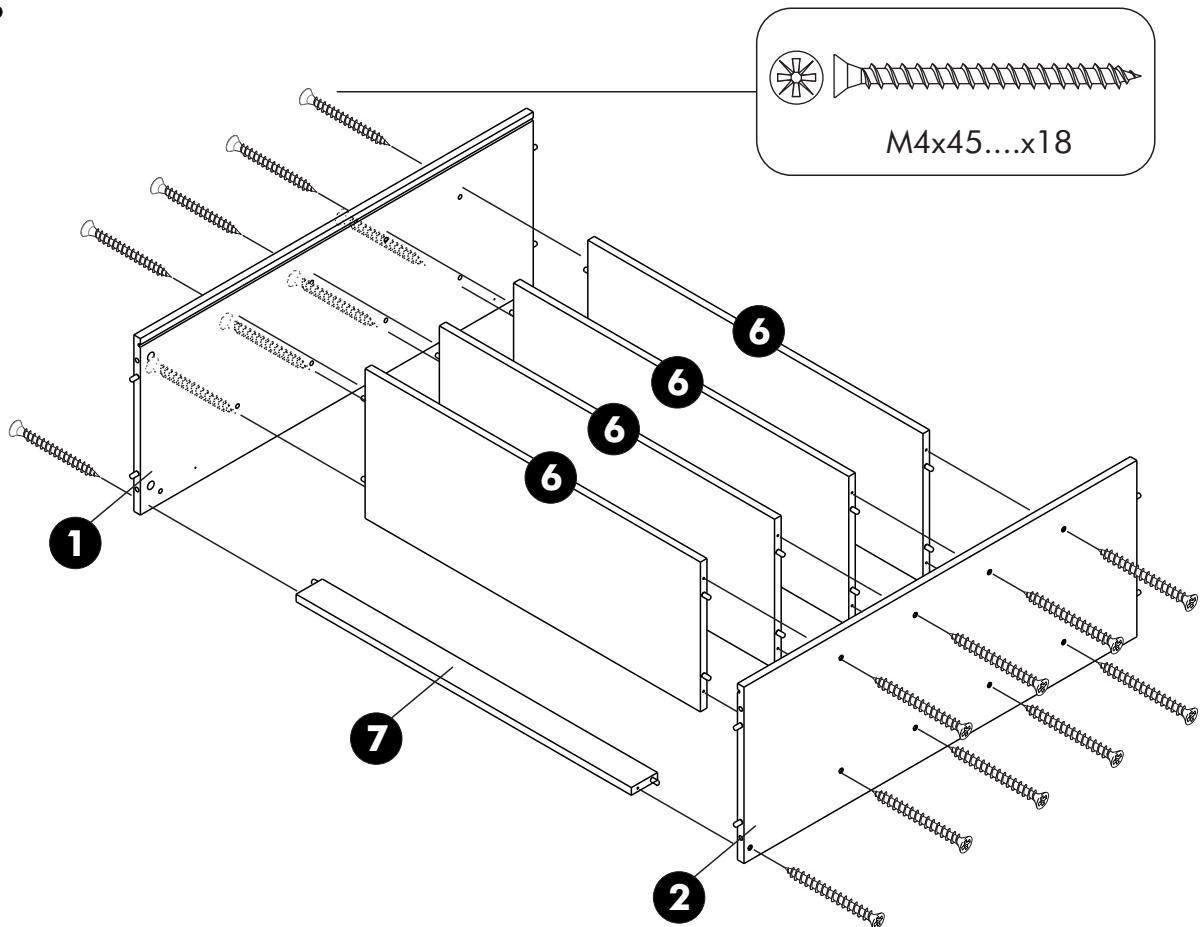
ASSEMBLY

-BODY SET

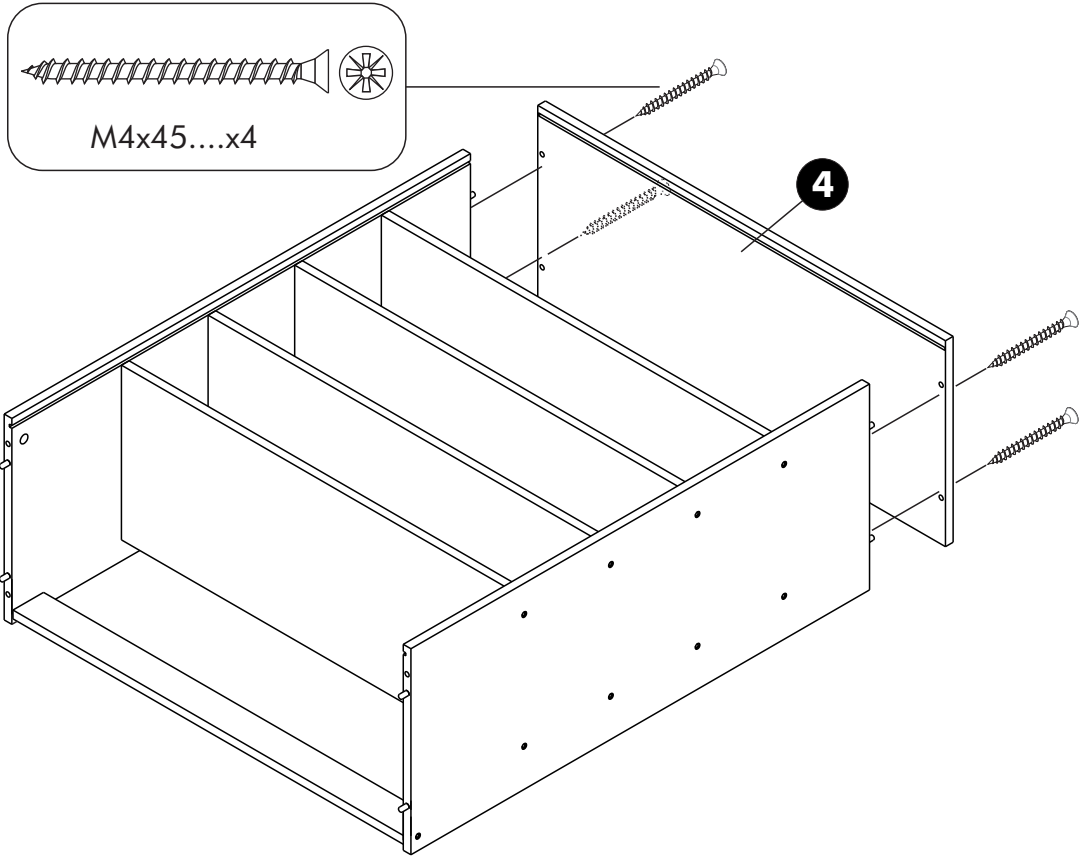
1.



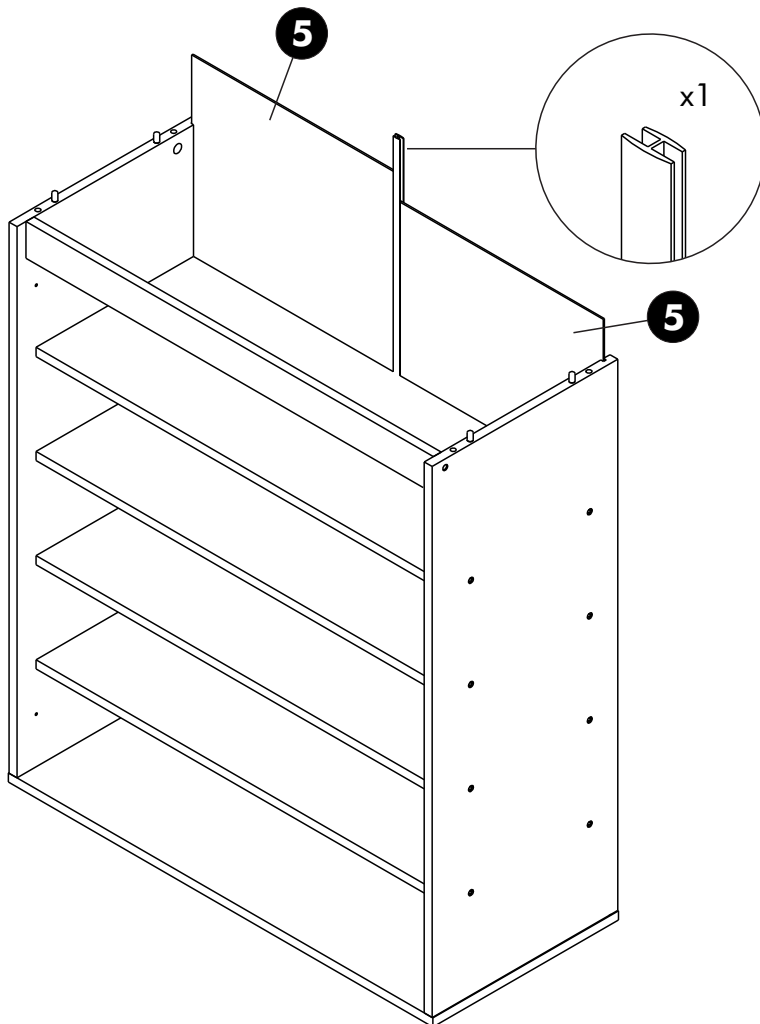
2.



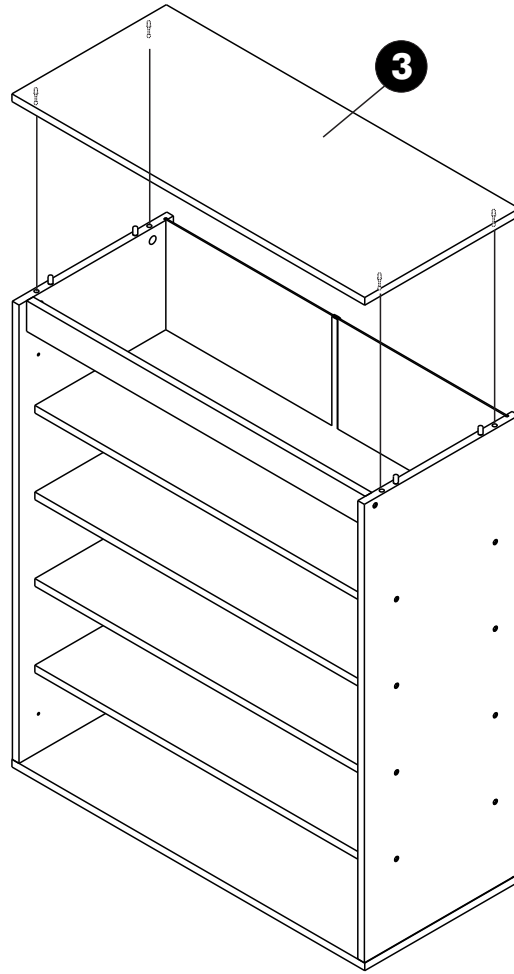
3.



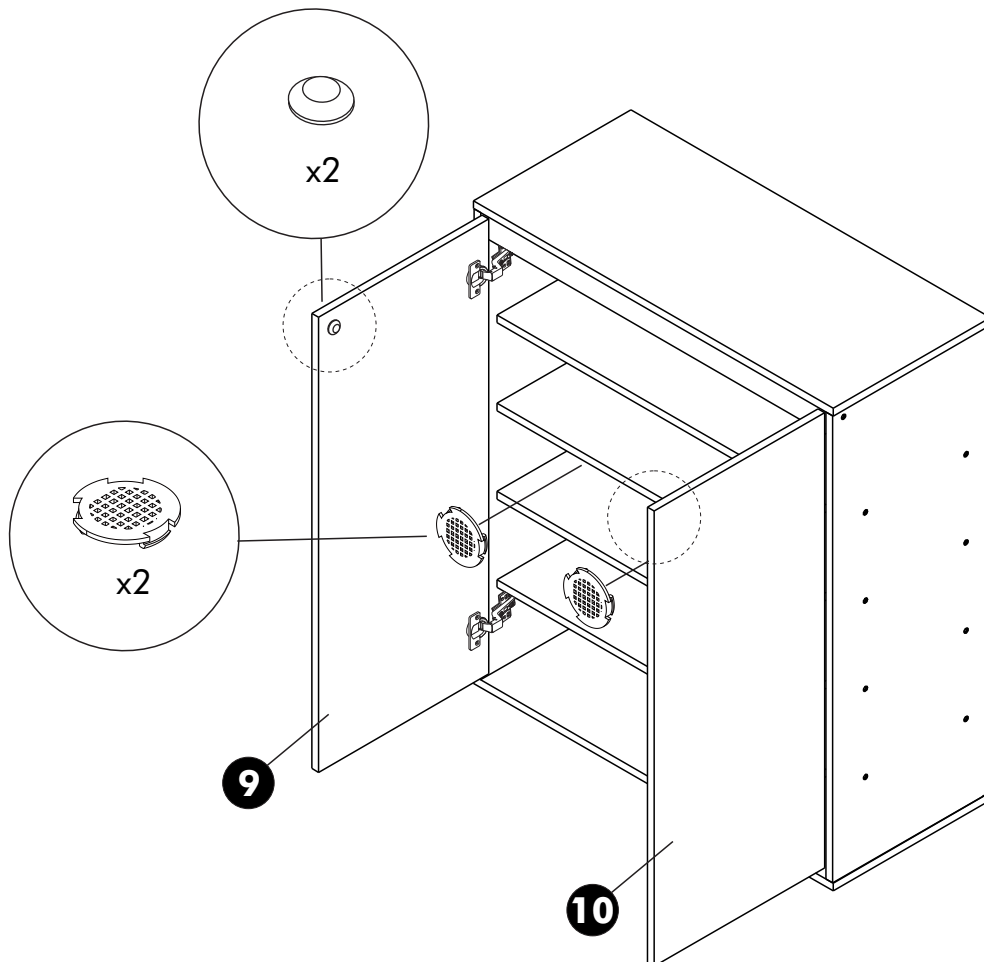
4.



5.



6.



7.

