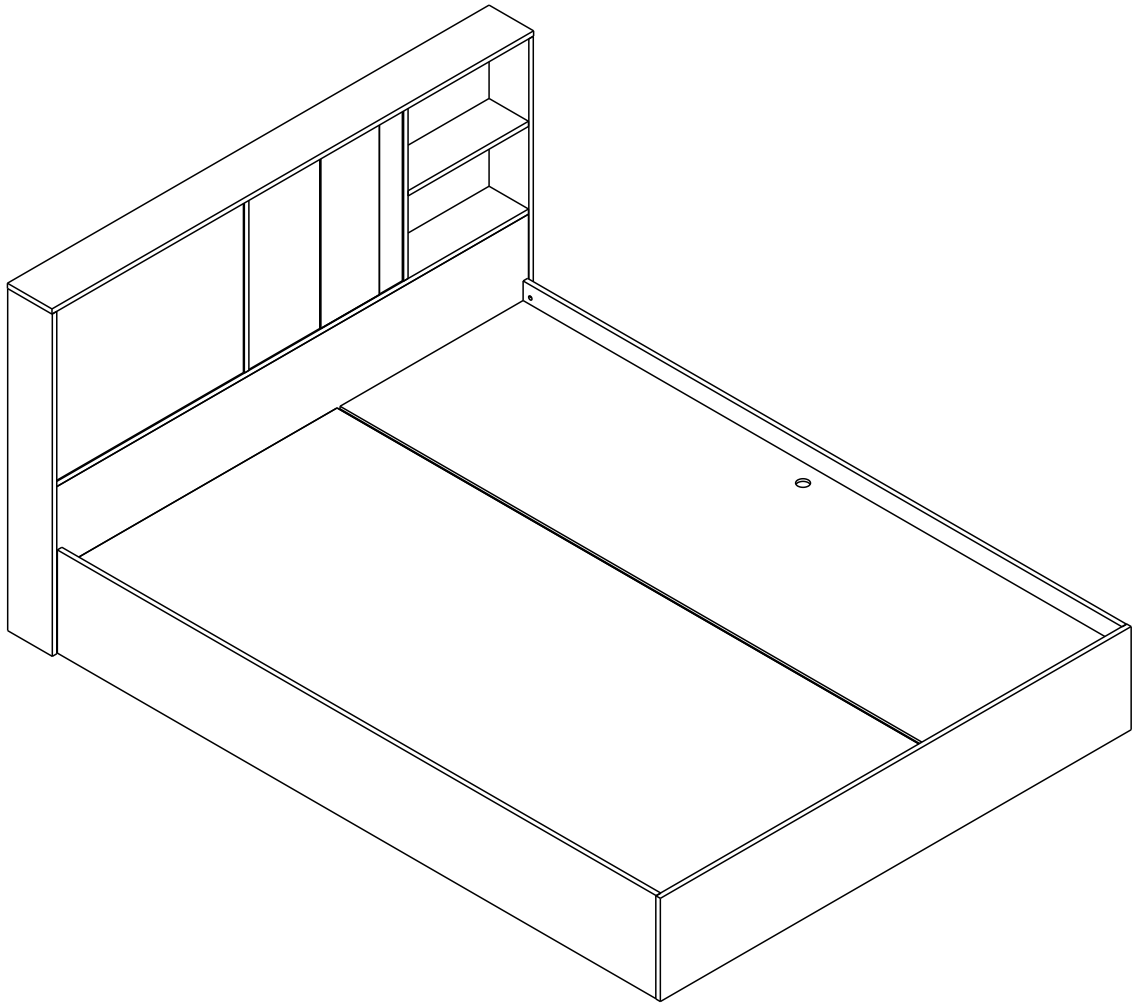


MAGNOLIA/P

BED 5 ft.



CONNECT SYSTEM

1

3

2

(Connecting bolts)

WHEN FITTING CAMS
 ENSURE STARTING POSITION IS CORRECT
 BEFORE YOU INSERT CONNECTING BOLT
 TURN CLOCKWISE UNTIL SECURE

✓					✗
↑	CORRECT	WRONG			

M4x16mm.

i

40mm.

☹️

✗

EQ

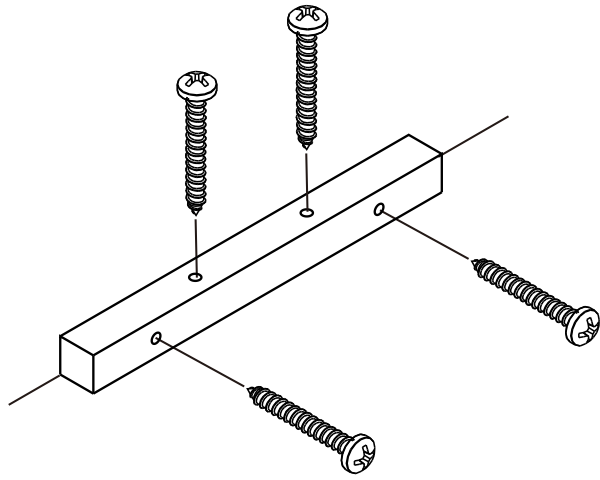
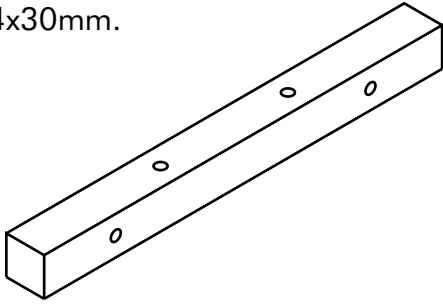
😊

✓

P+M4x13mm.

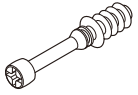


M4x30mm.



HARDWARE

-BODY SET

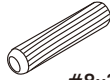


x 37



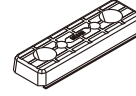
16mm.

x 37

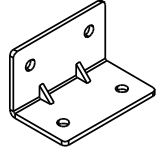


#8x35

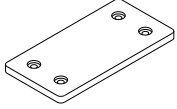
x 39



x 27



x 8



x 2



No.1

x 3

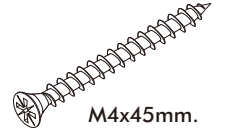


x 11



M4x13mm.

x 30



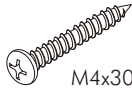
M4x45mm.

x 11



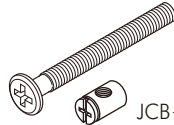
M4x16mm.

x 3



M4x30mm.

x 70



JCB+M6x60

x 4



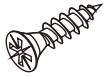
WALNUT

x 4



GY

x 1



M4x16mm.

x 54



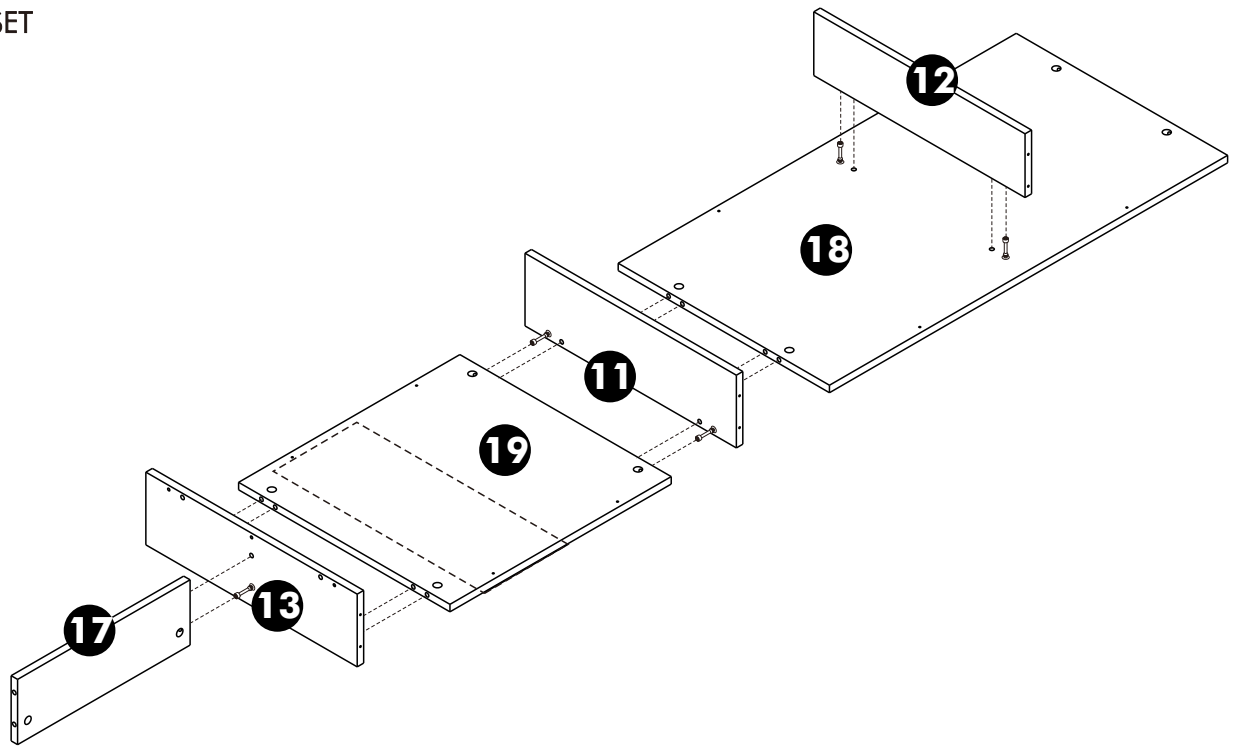
M4x13mm.

x 32

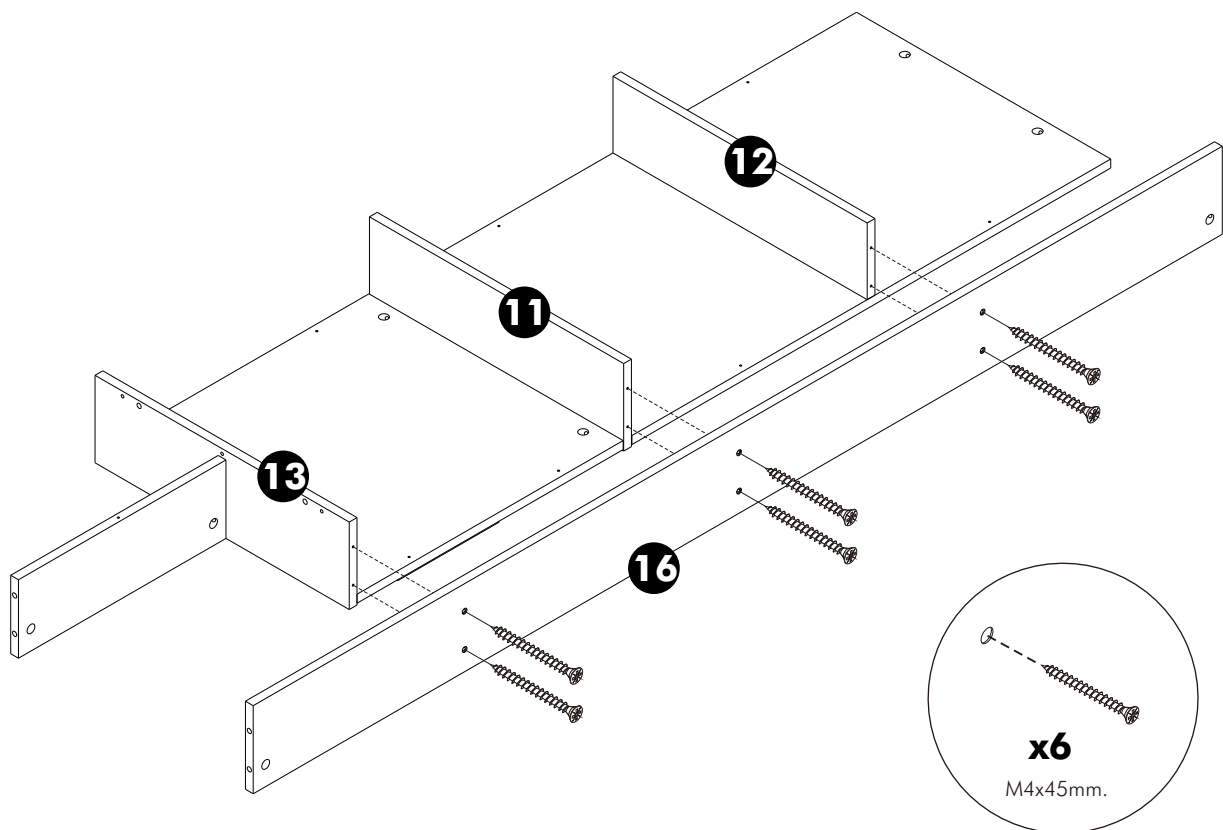
ASSEMBLY

-BODY SET

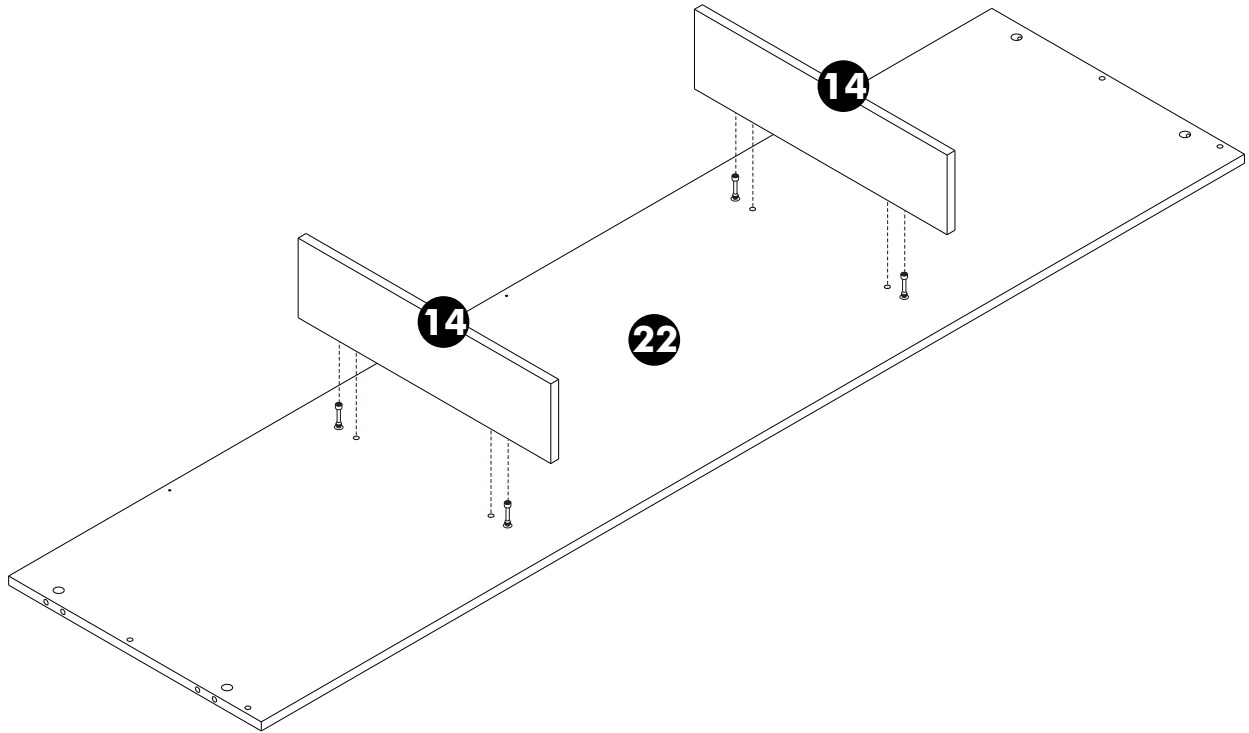
1.



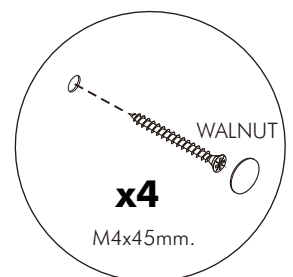
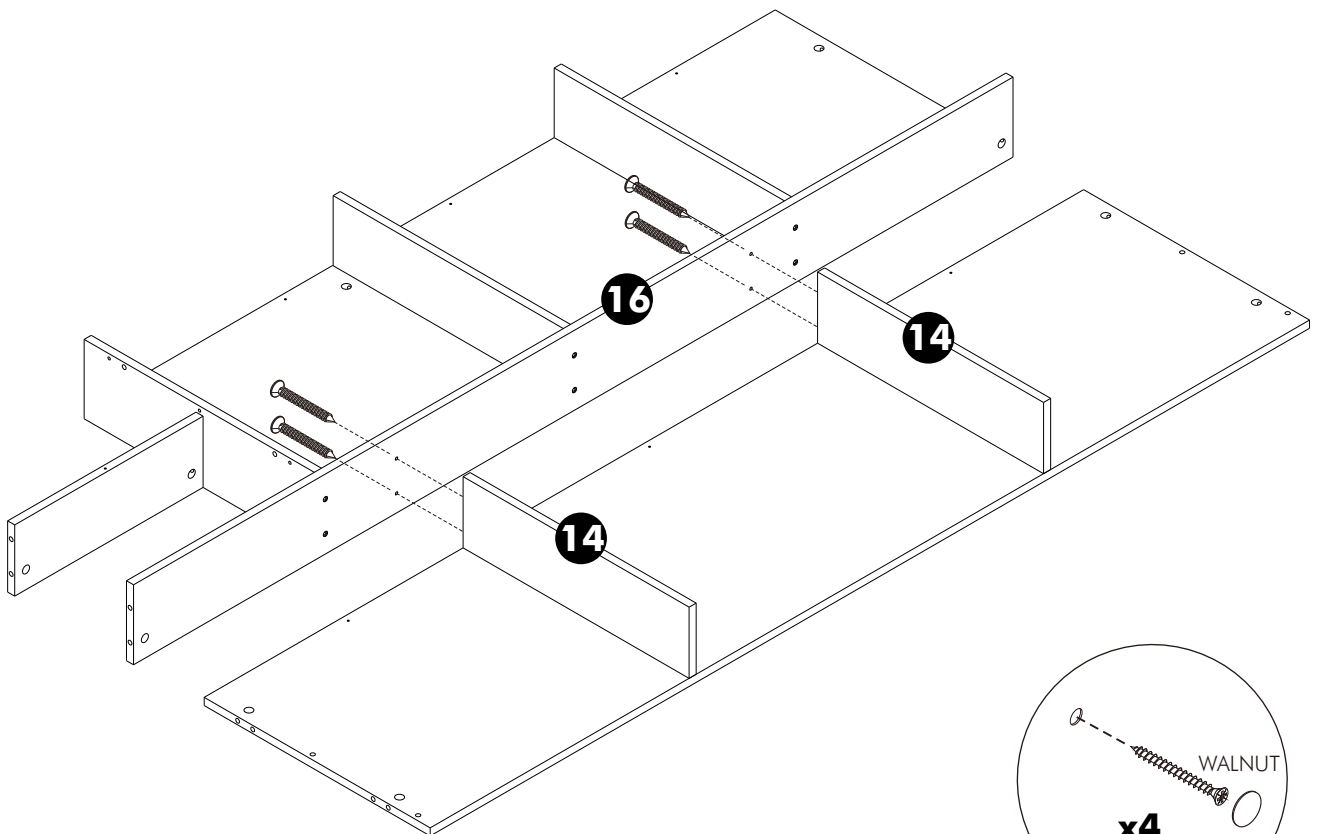
2.



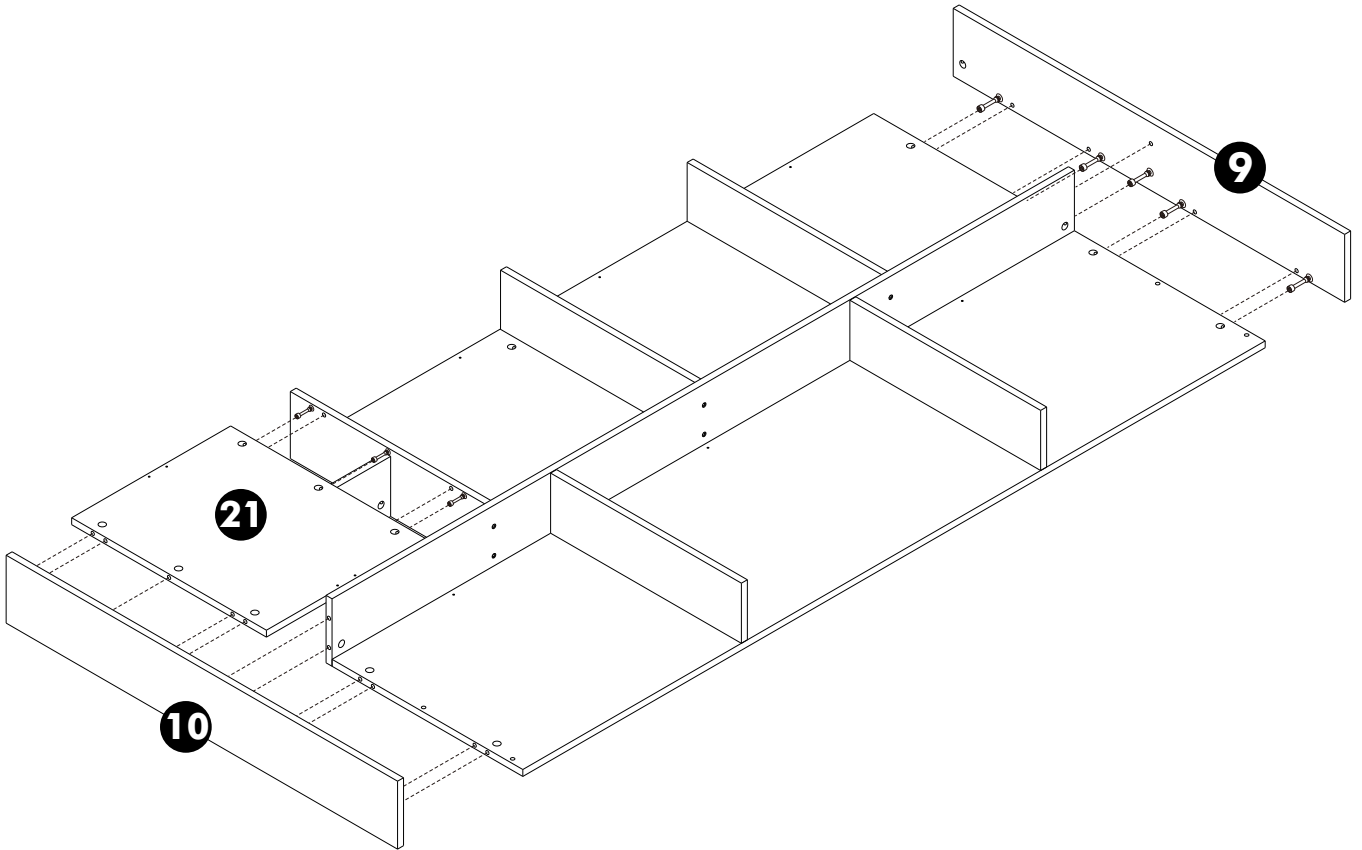
3.



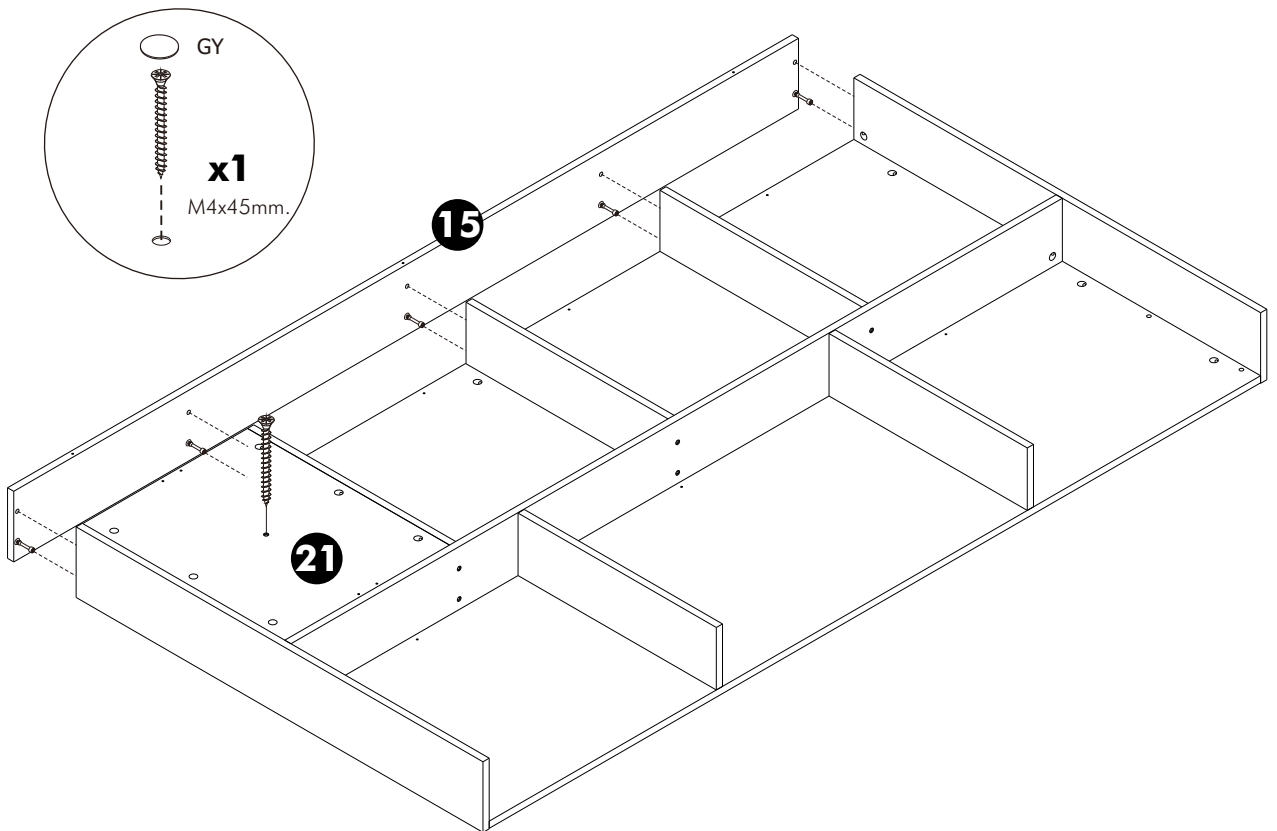
4.



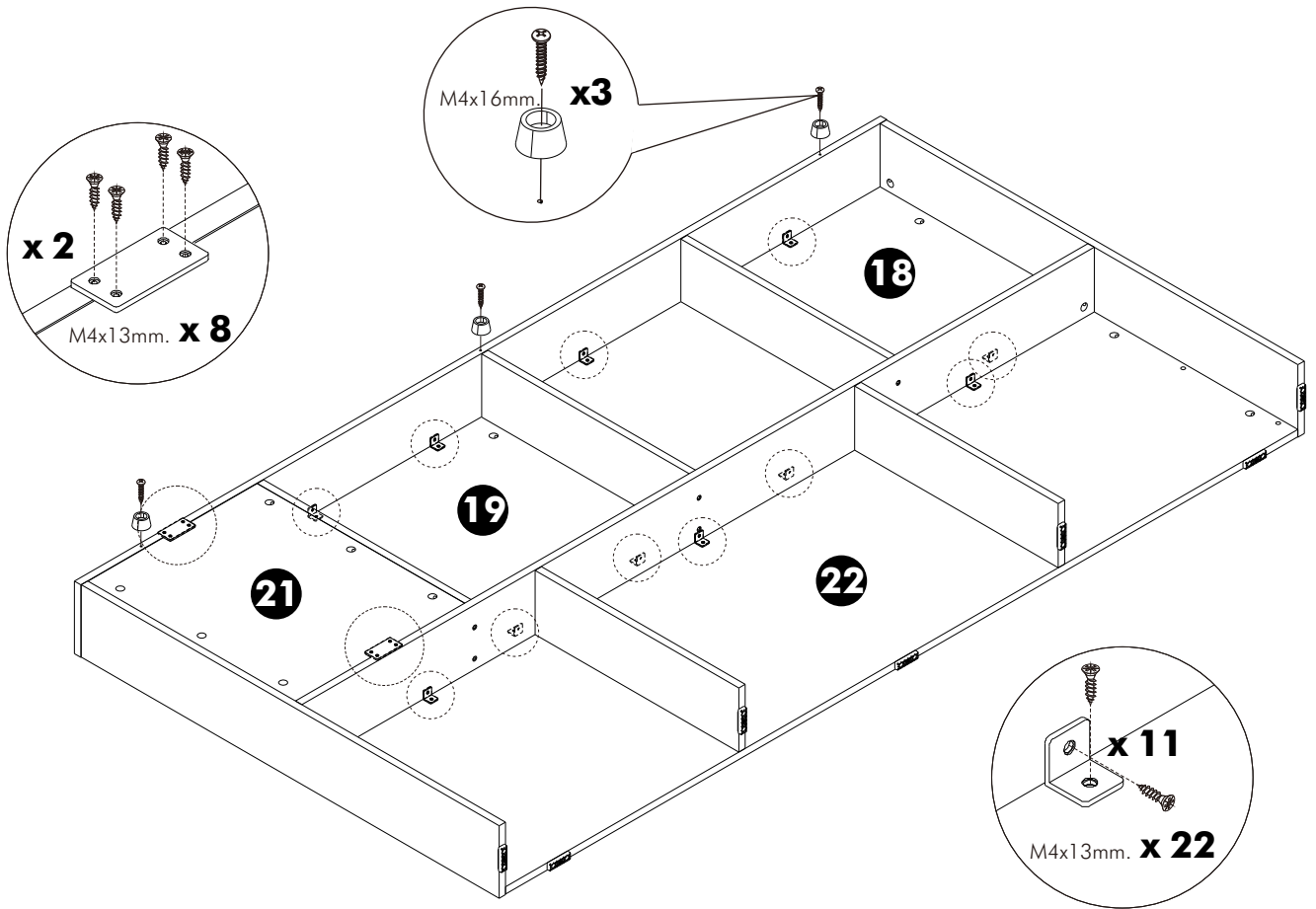
5.



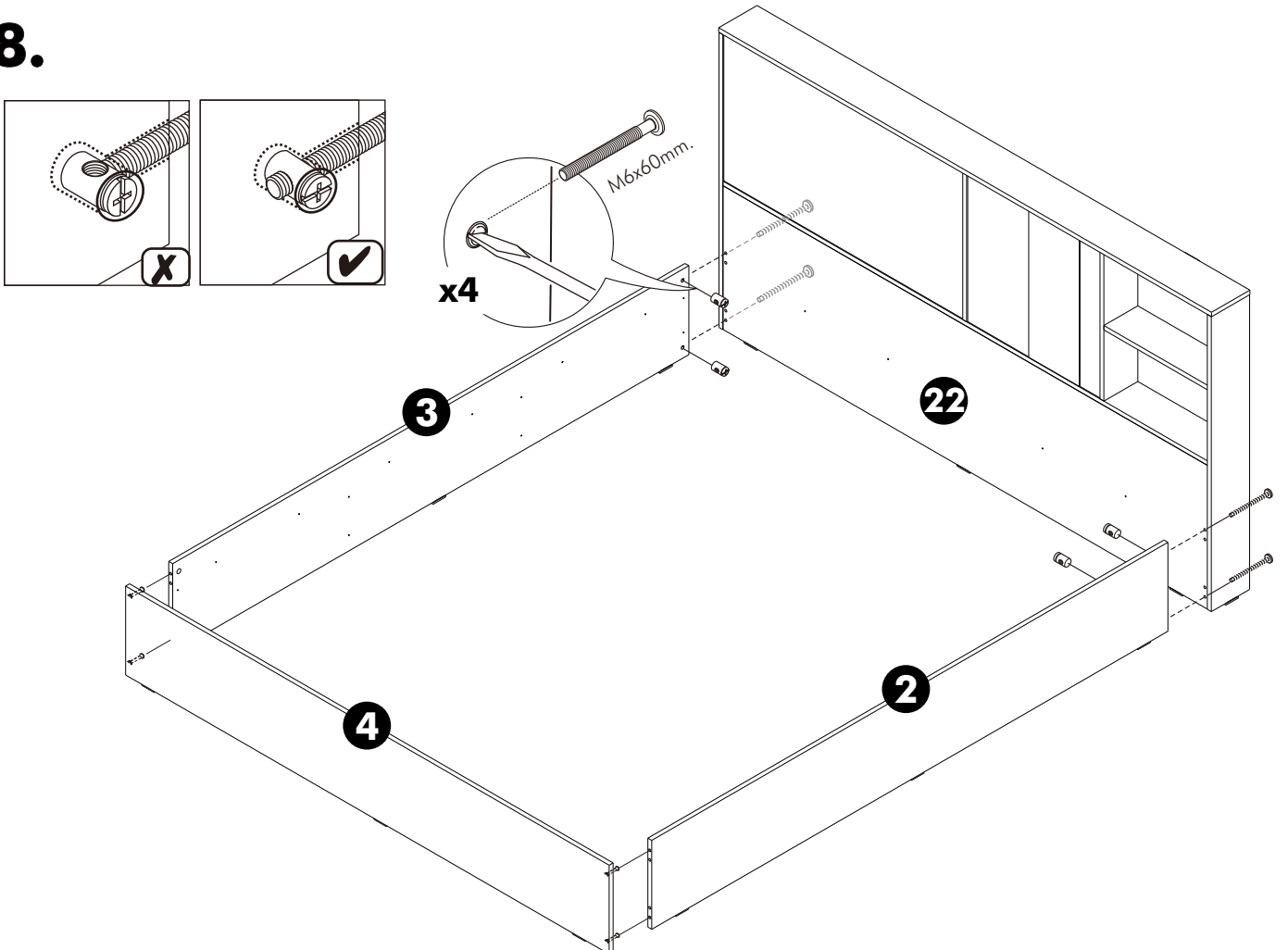
6.



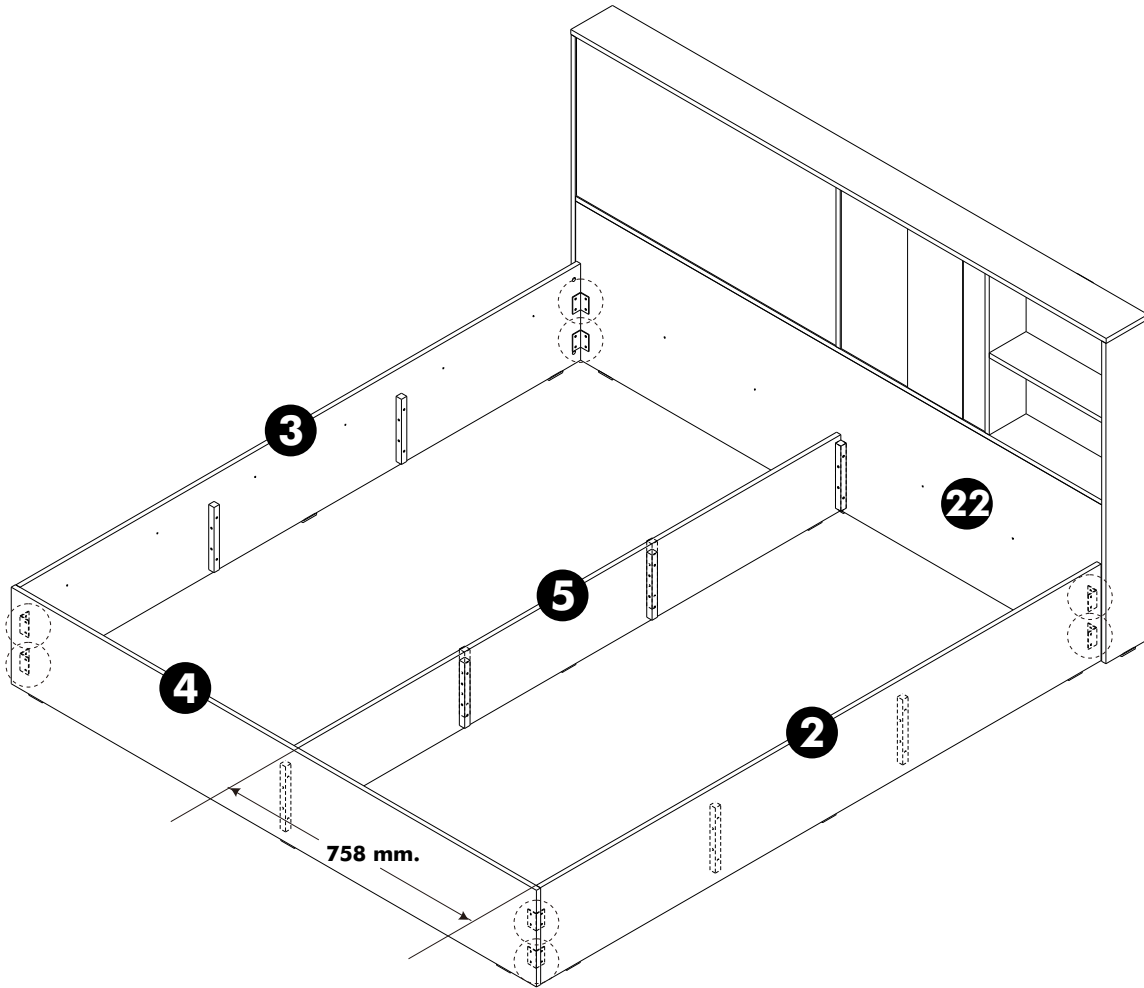
7.



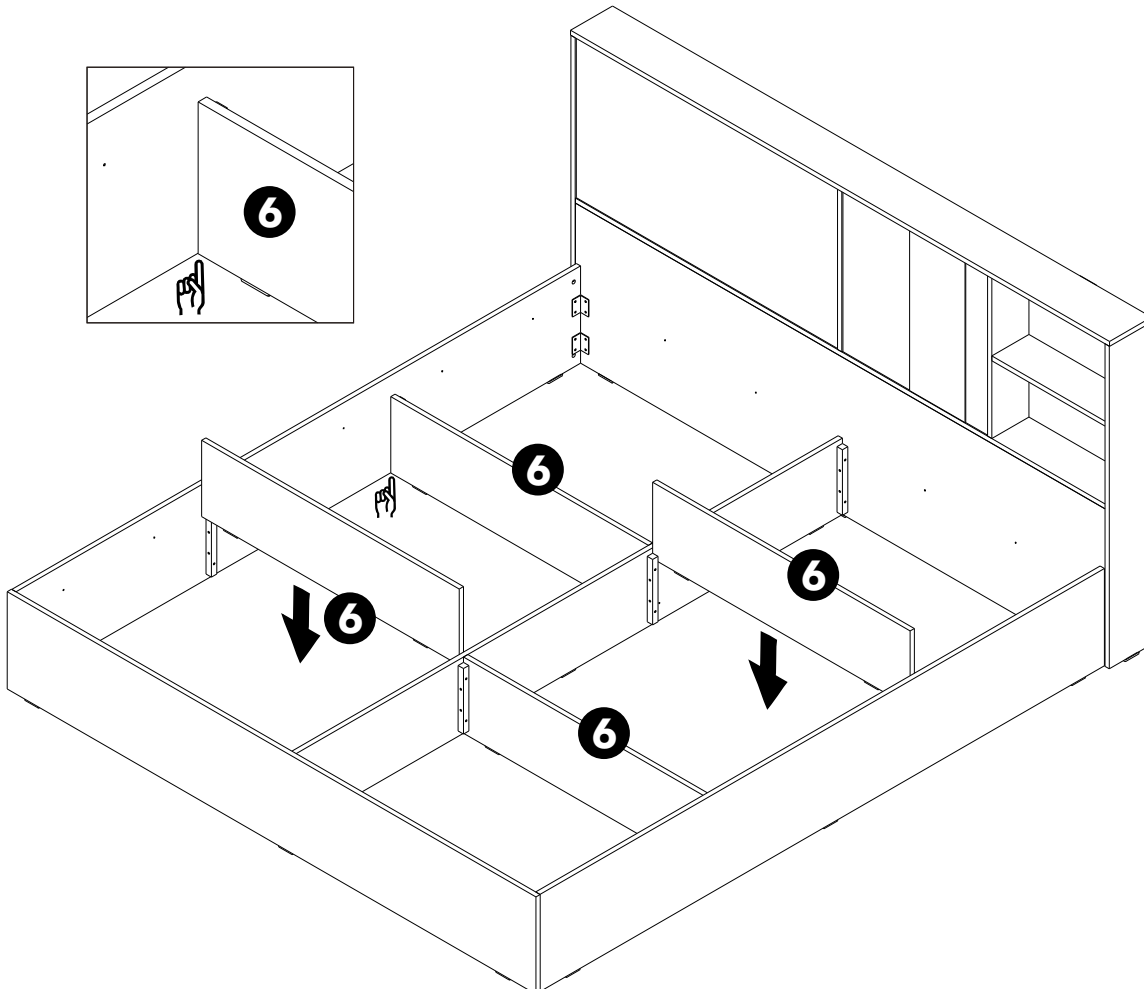
8.



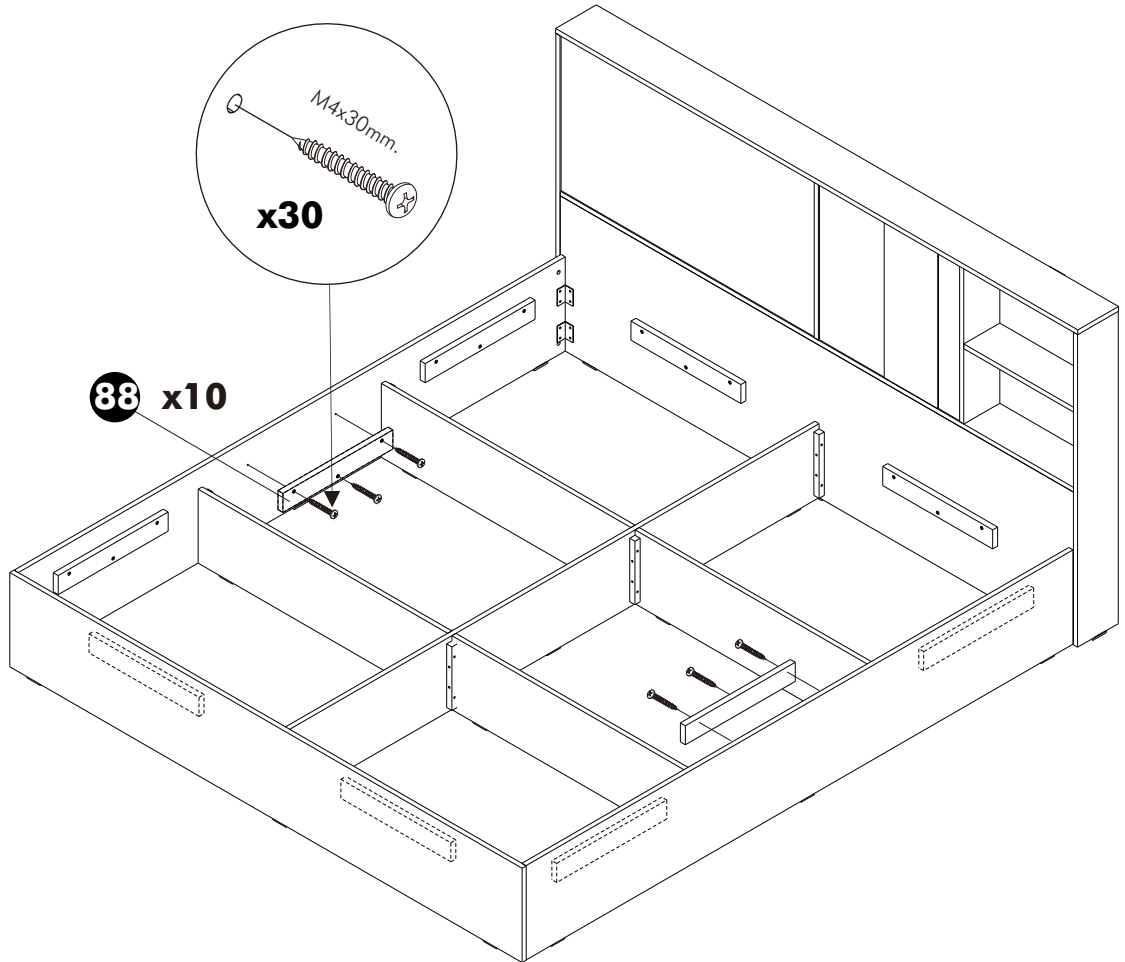
9.



10.



11.



12.

