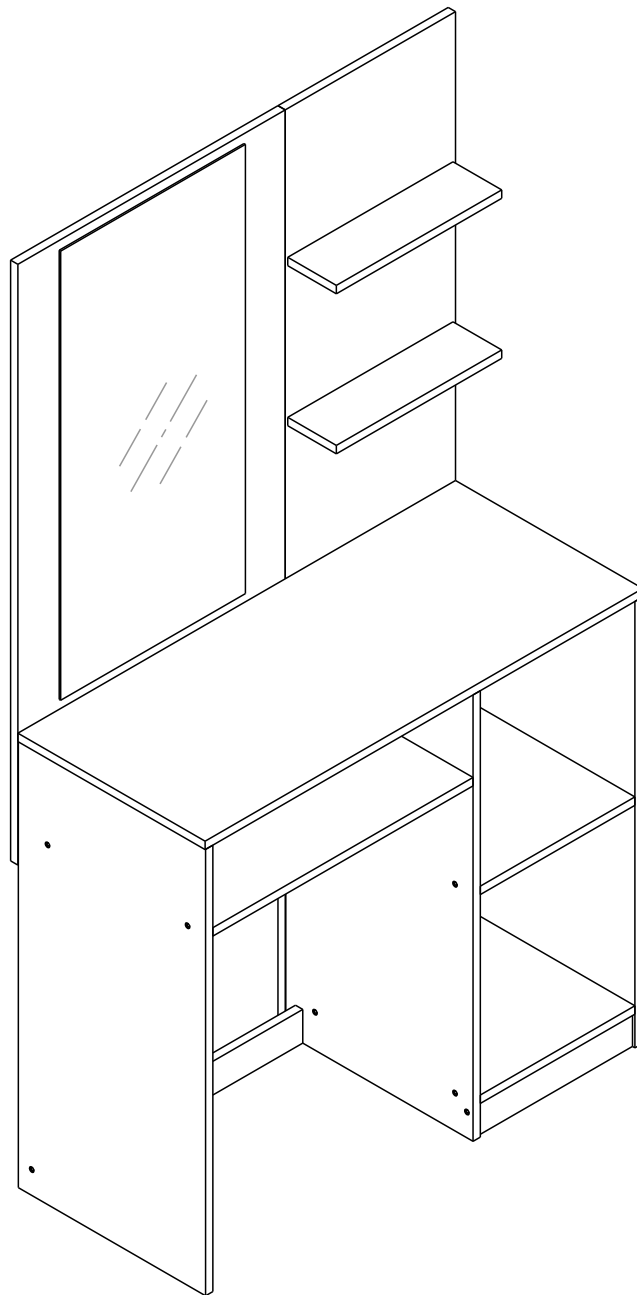


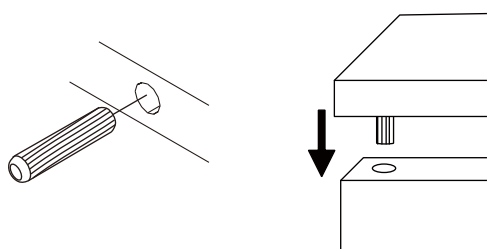
MAGNOLIA/P

Dressing Table 90cm.

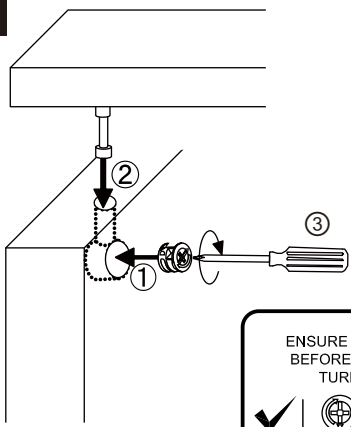


CONNECT SYSTEM

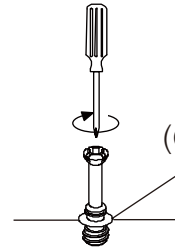
1



3









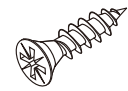
2



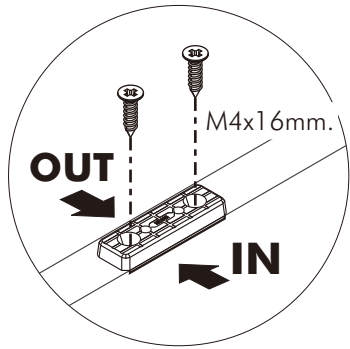
(Connecting bolts)

WHEN FITTING CAMS
 ENSURE STARTING POSITION IS CORRECT
 BEFORE YOU INSERT CONNECTING BOLT
 TURN CLOCKWISE UNTIL SECURE

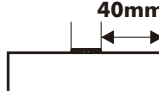

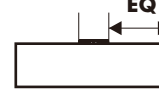

✓				✗
↑				
	CORRECT		WRONG	

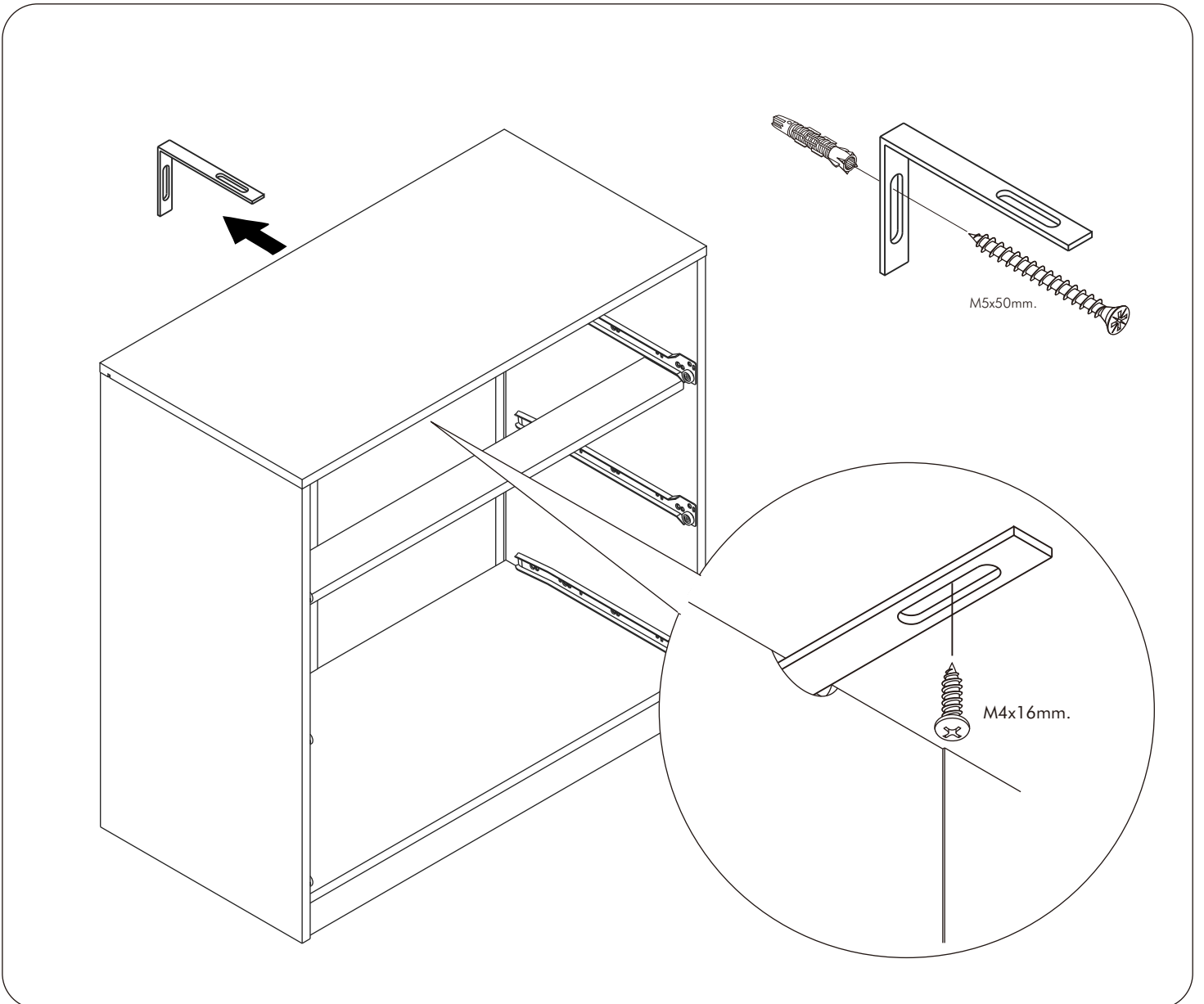
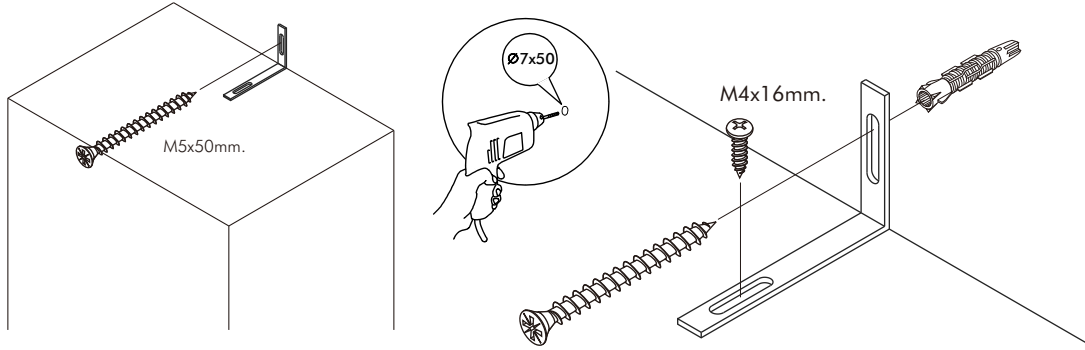
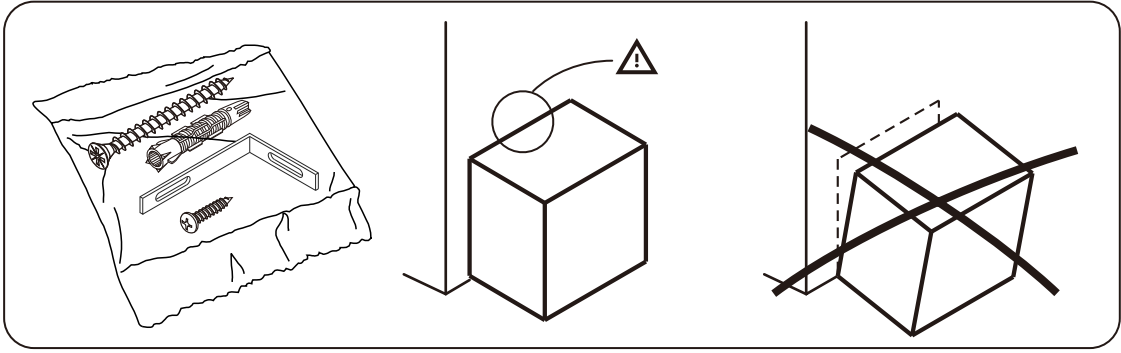


M4x16mm.



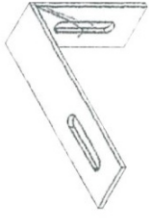
i

 <p>40mm.</p>		 <p>EQ</p>	
✗		✓	

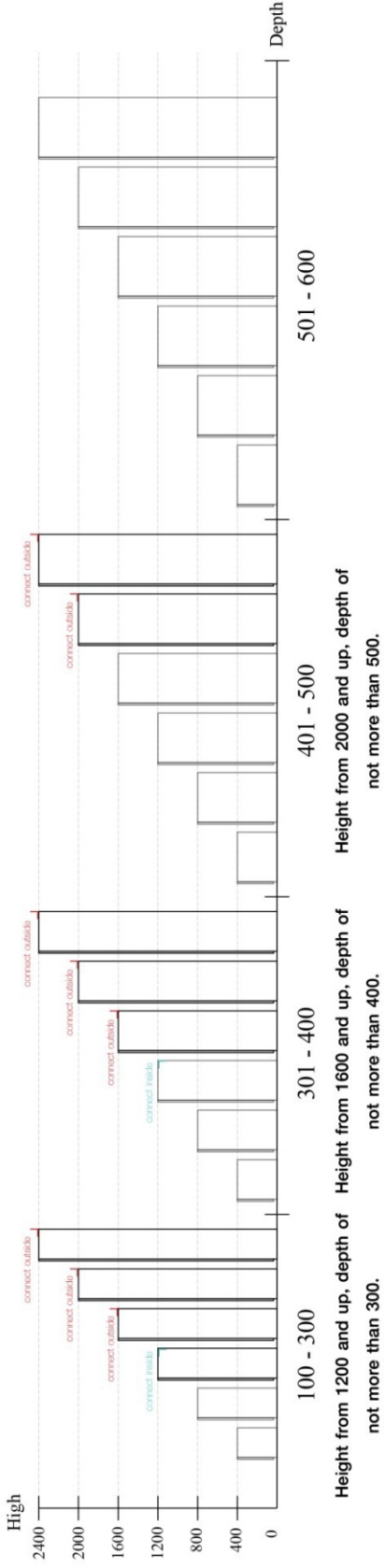


The Standard for identifying which mounted safety fall protection fitting to use **Note : That children's products must be installed with all anti-falling fittings.**

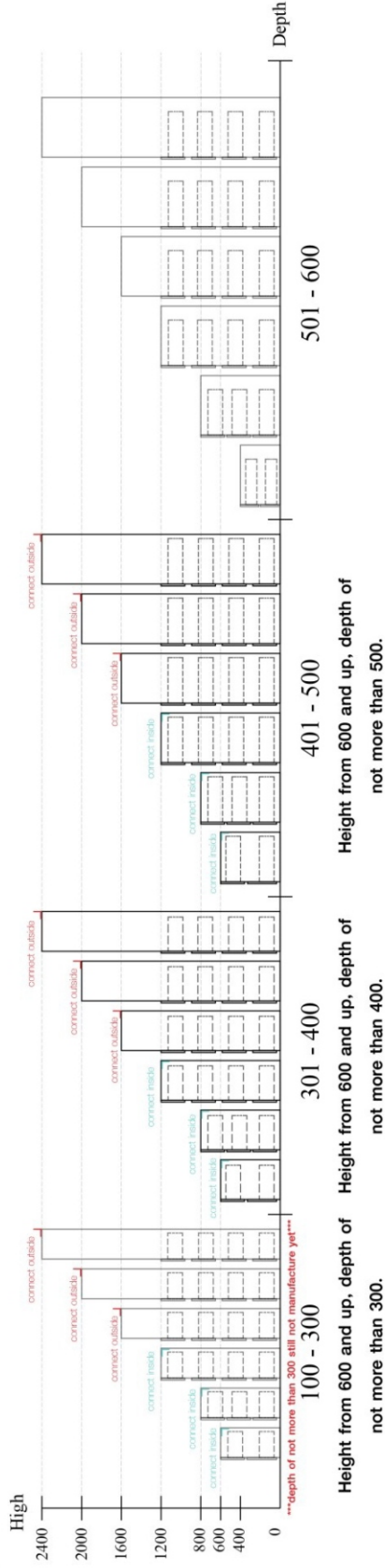
■ Mounted fall protection fittings



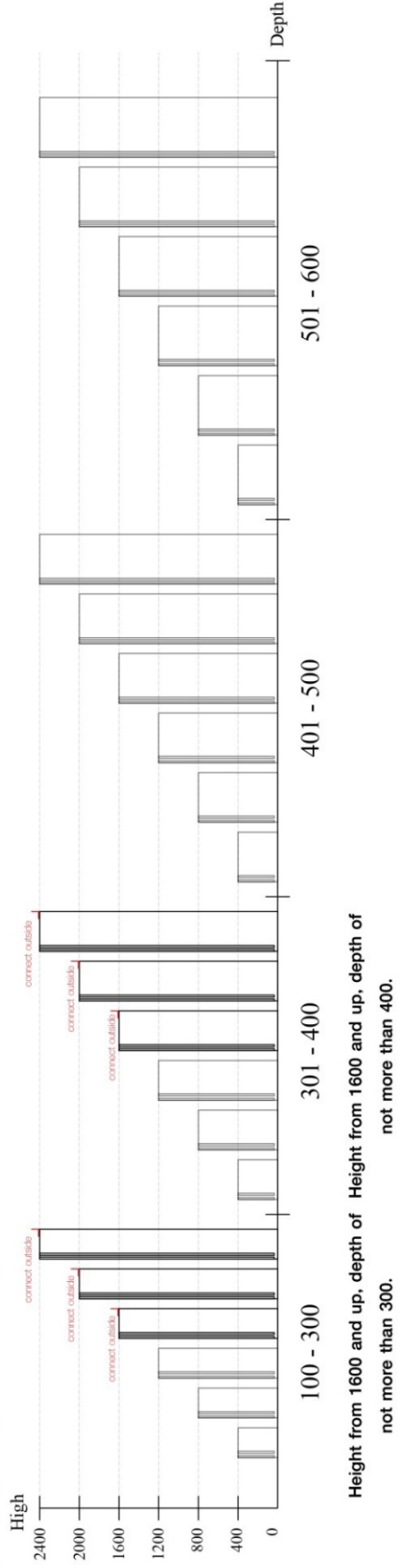
■ Category : Cabinet with open doors



■ Category : Chest of drawers

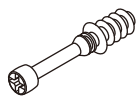


■ Category : Sliding door cabinet / Open cabinet



HARDWARE

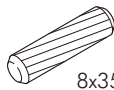
-BODY SET



x 9

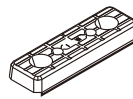


x 9

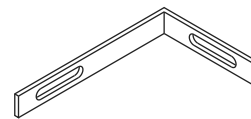


8x35mm.

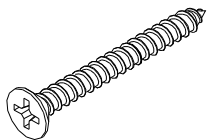
x 35



x 12



x 1



Mx4x45mm.

x 34



M4x16mm.

x 24



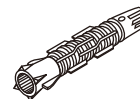
M4x16mm.

x 1



Mx5x50mm.

x 1



x 1



NT

x 28



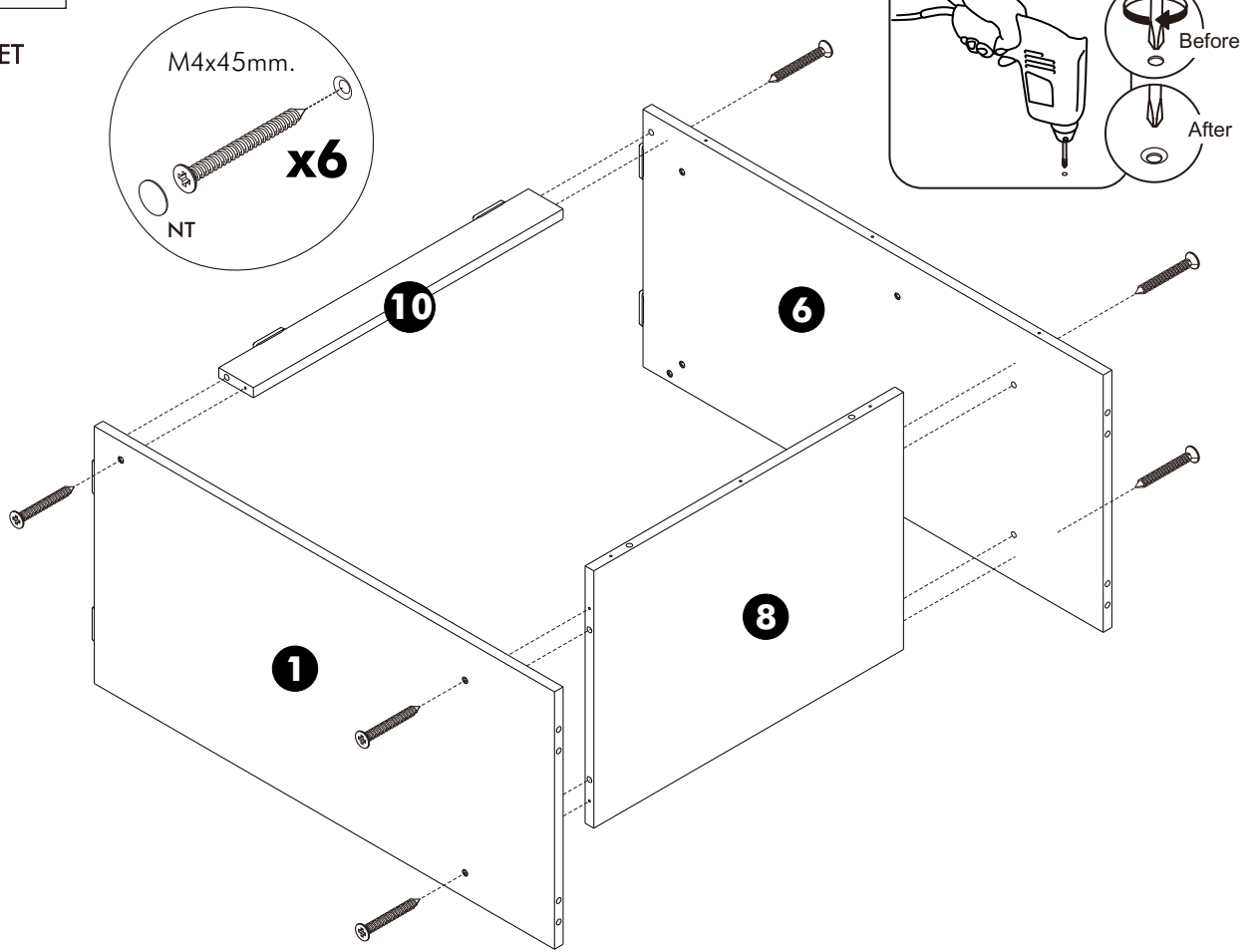
PVC WHITE

x 6

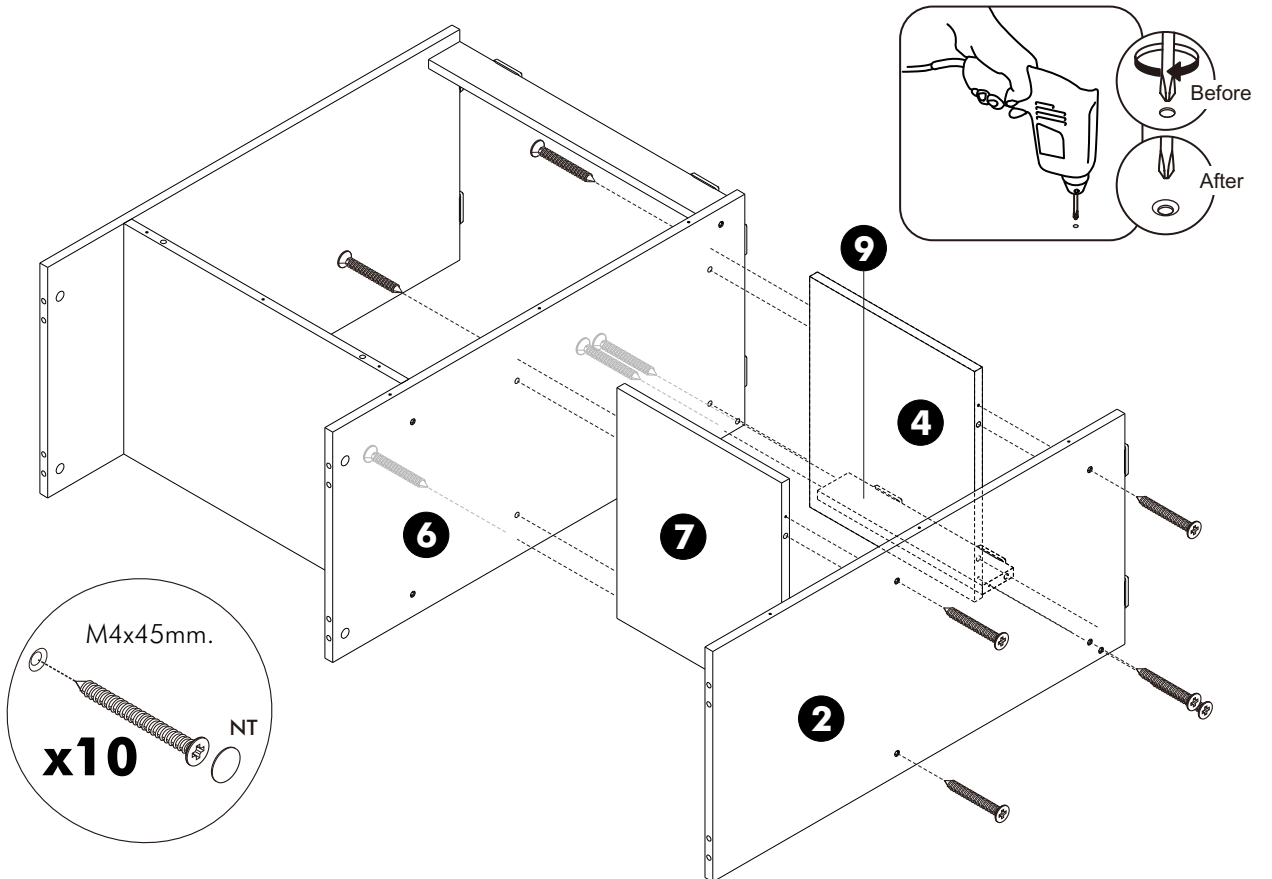
ASSEMBLY

-BODY SET

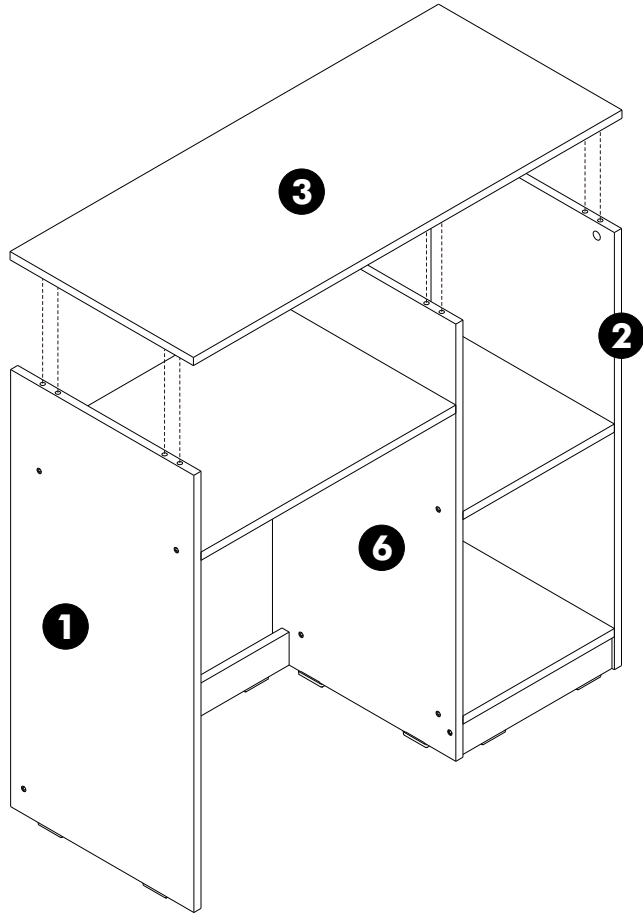
1.



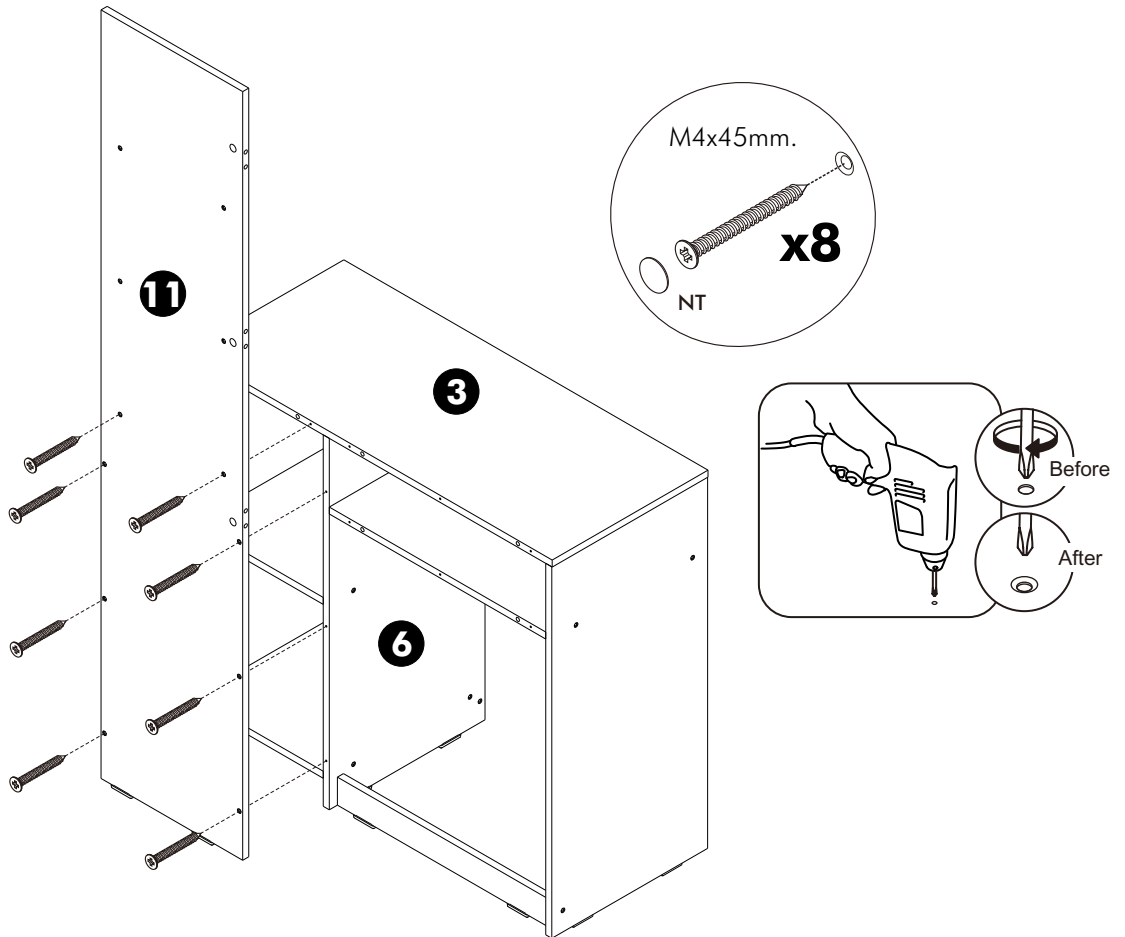
2.



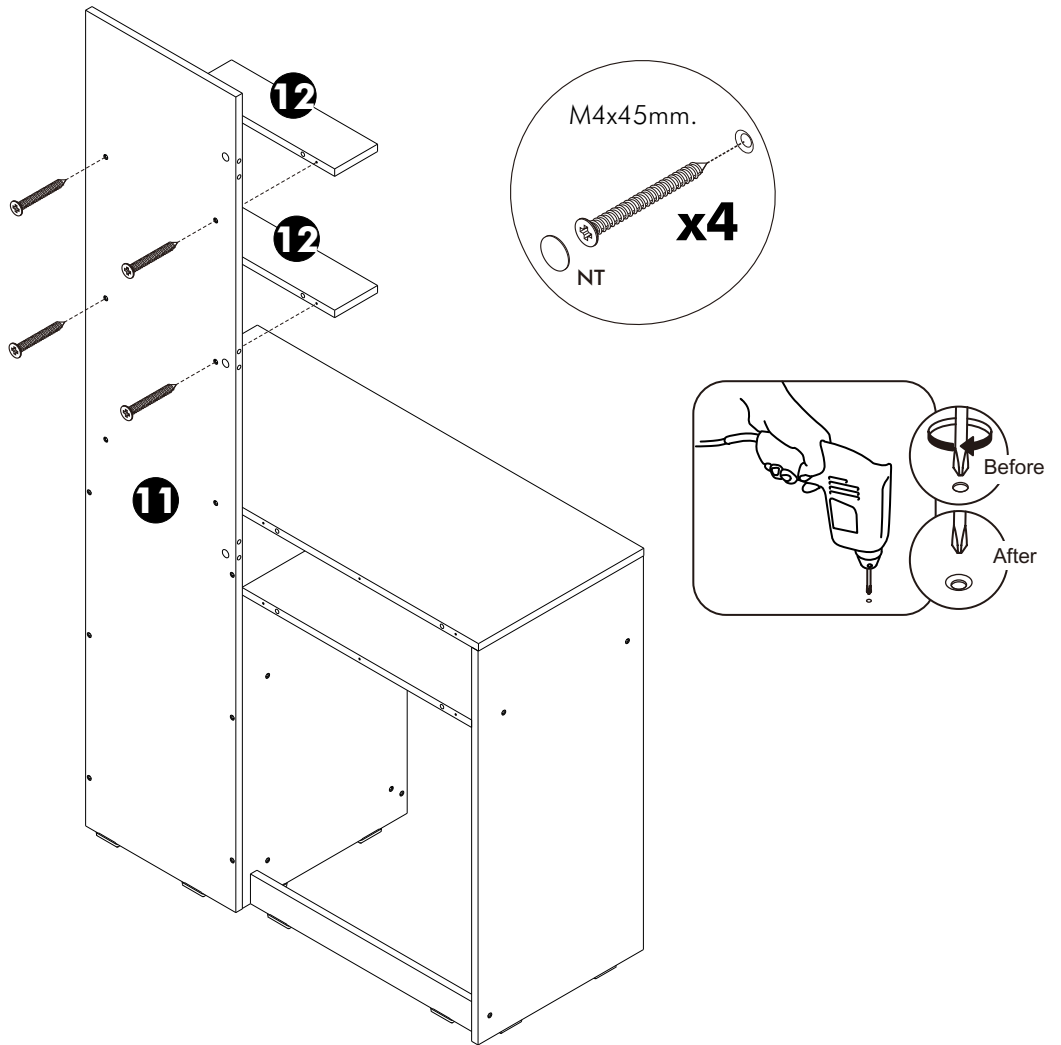
3.



4.



5.



6.

