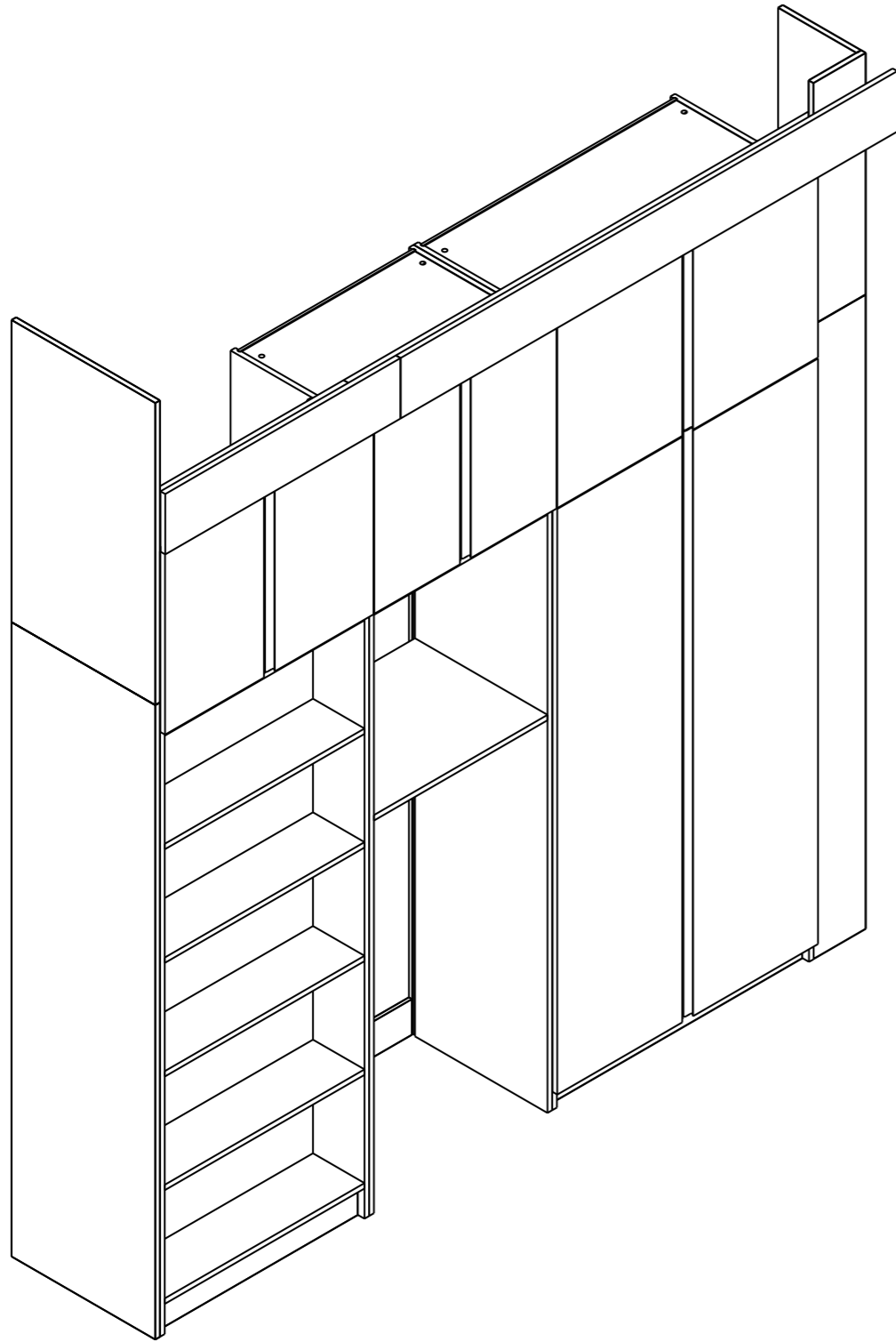
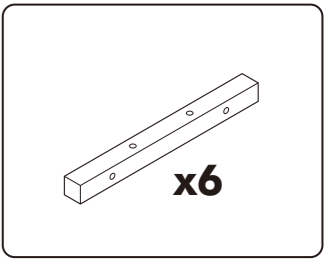
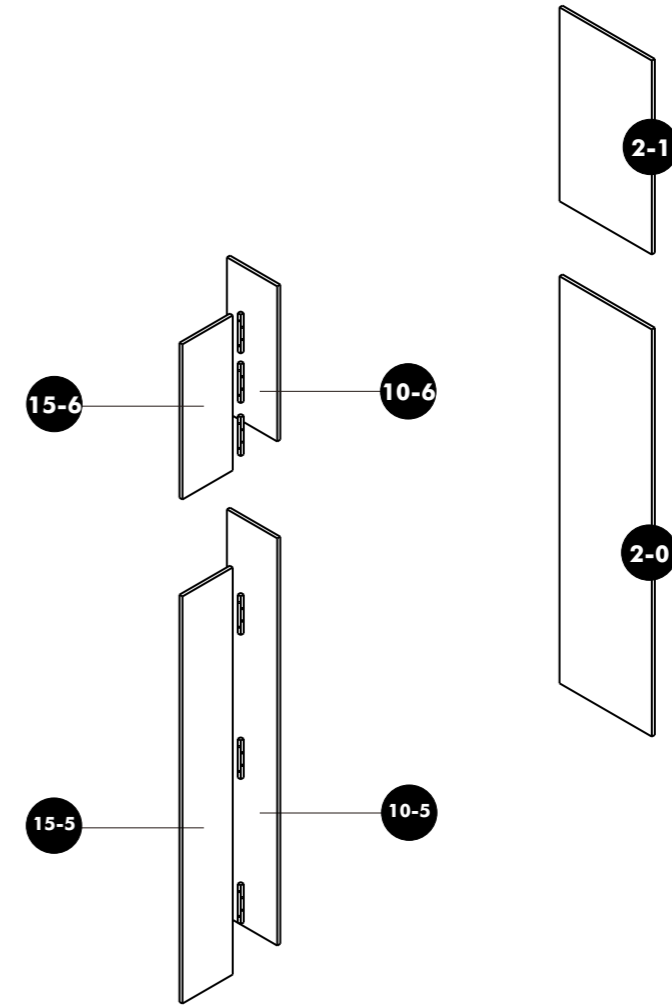


# BB WARDROBE TYPE S-2R

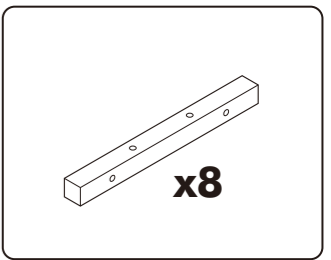
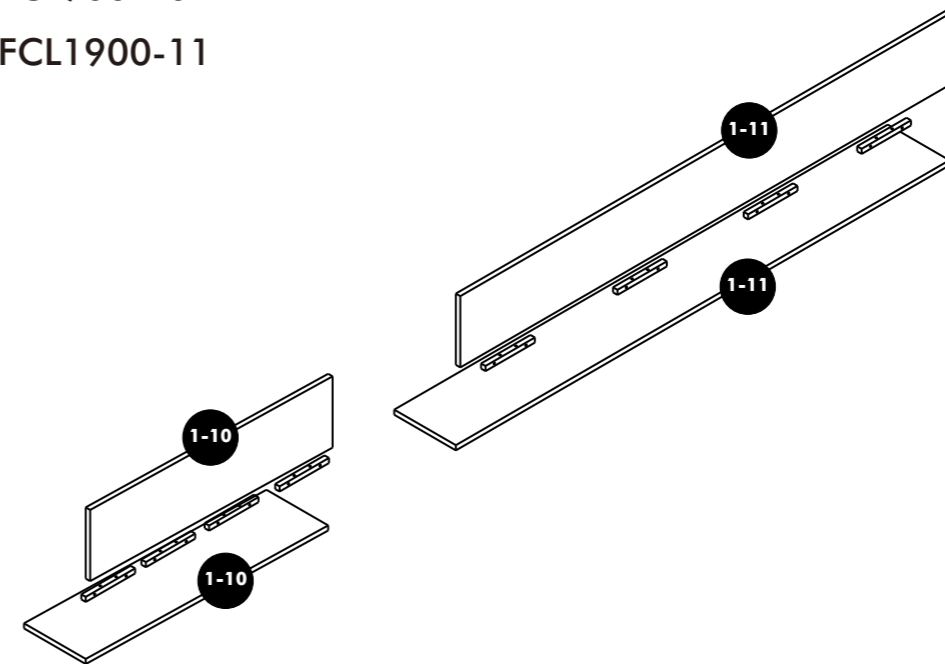
## BB RESIDENCE



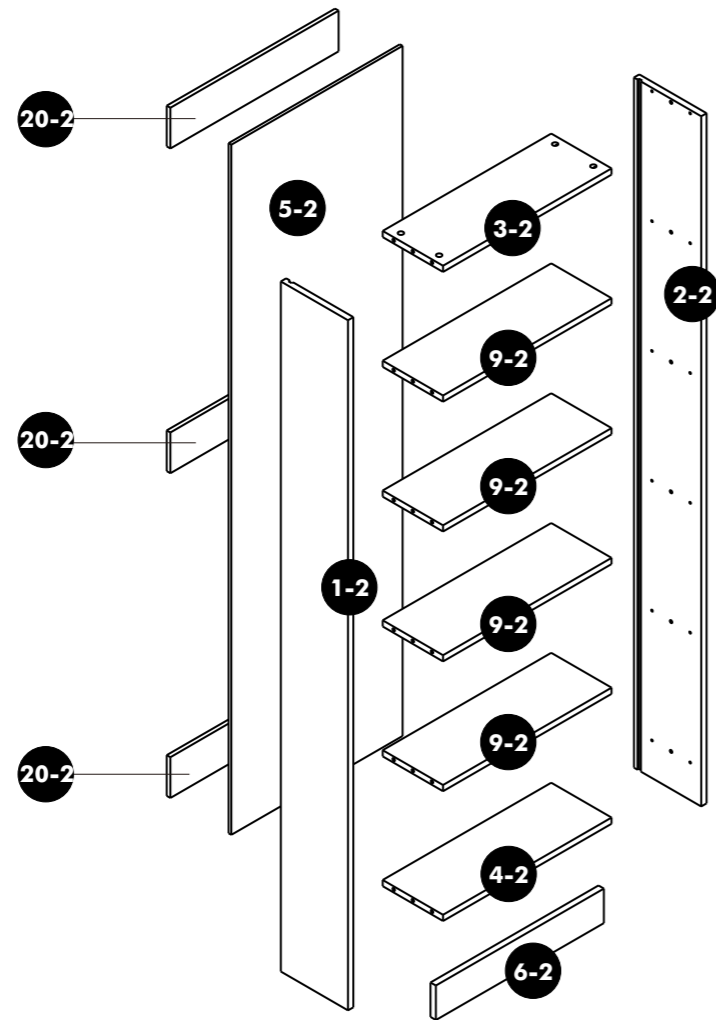
Assembly  
DF210-5  
DF80-6  
DEP-0  
DEP-1



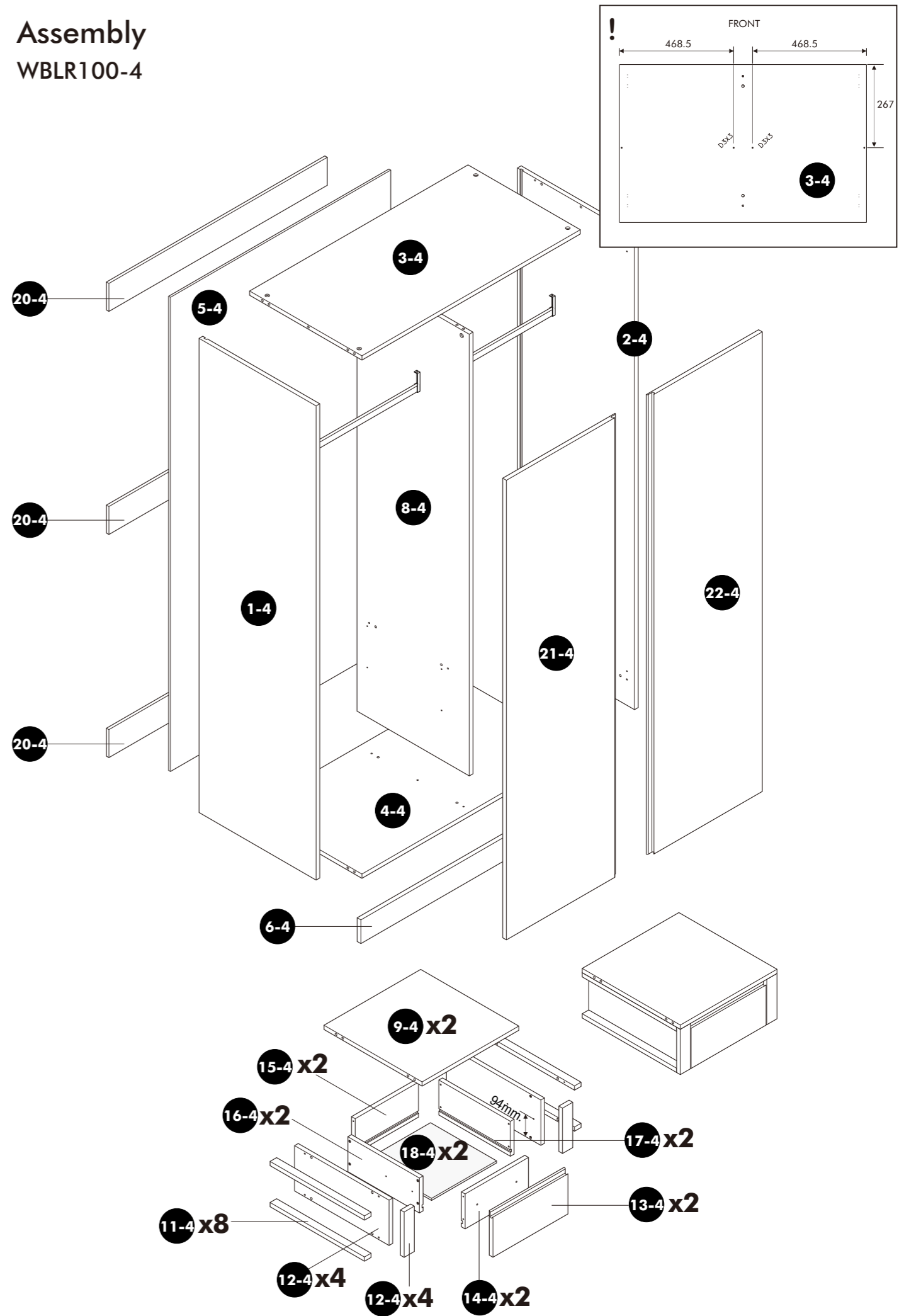
Assembly  
DFCL900-10  
DFCL1900-11



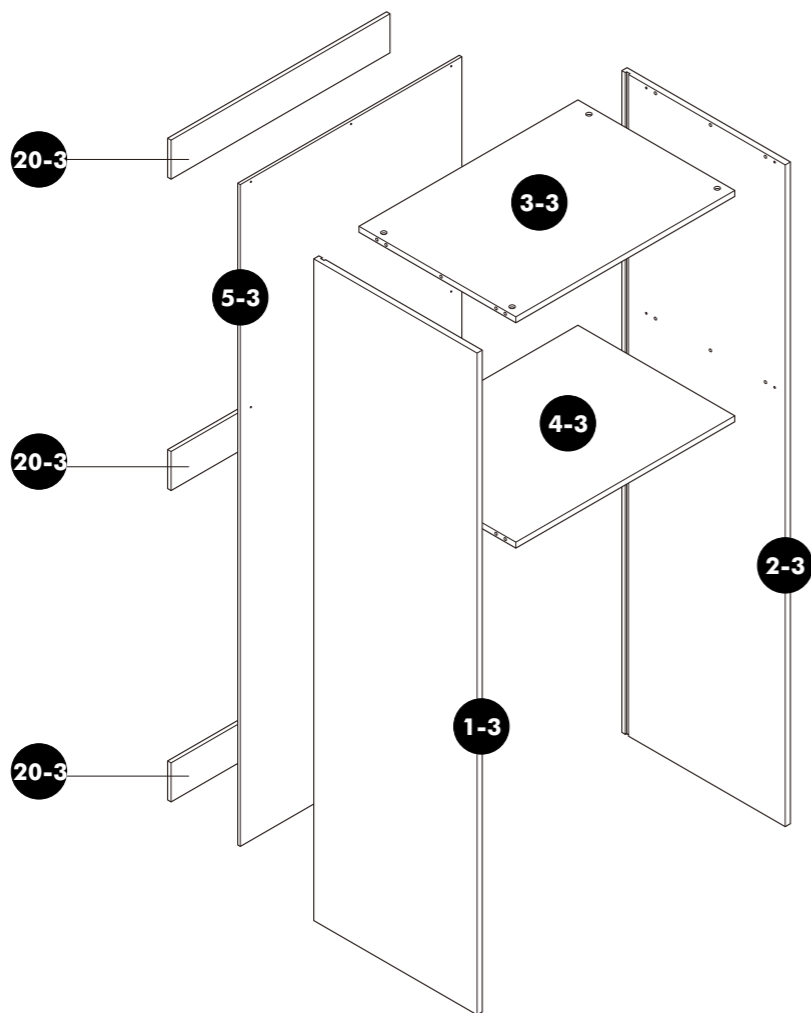
Assembly  
WDO80-2



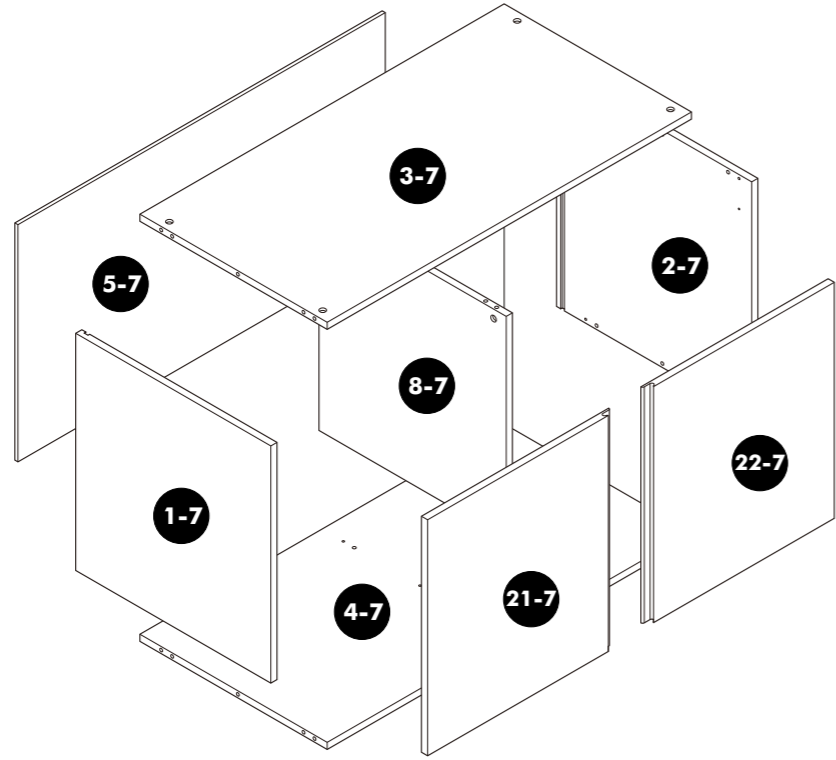
Assembly  
WBLR100-4



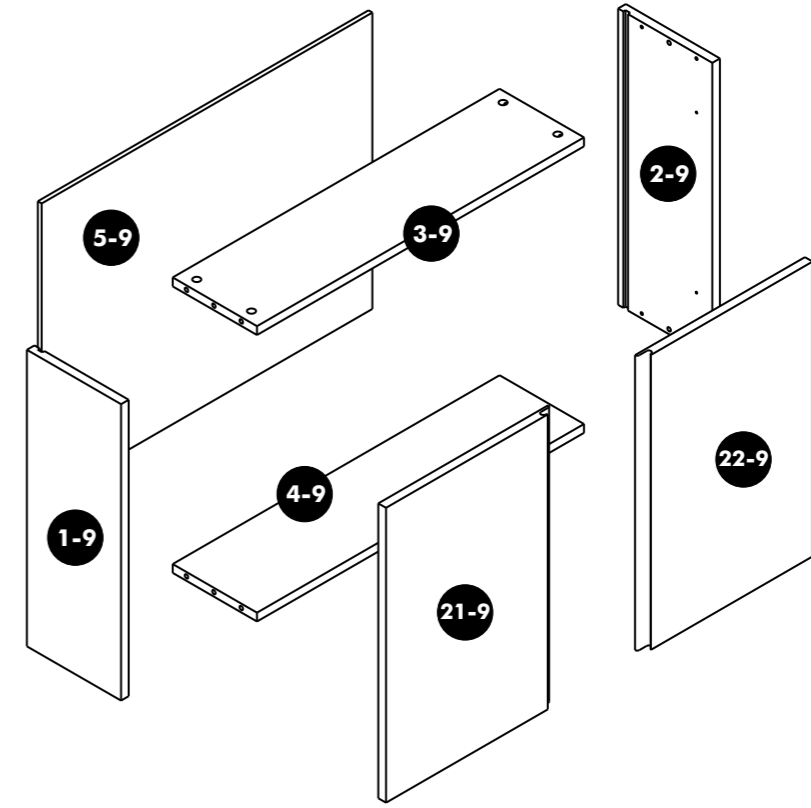
Assembly  
WBO70-3



Assembly  
CW100LRMI-7



Assembly  
CW80LR-9



Assembly  
WB70LR-8

