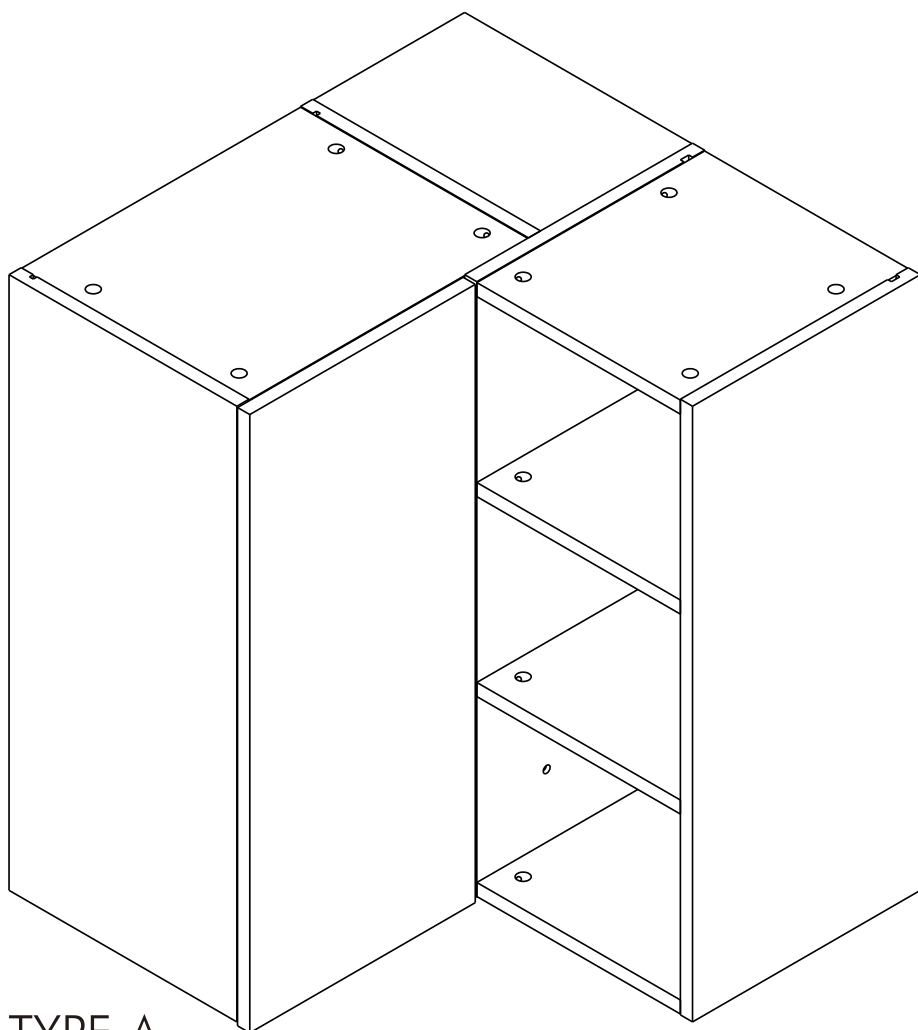
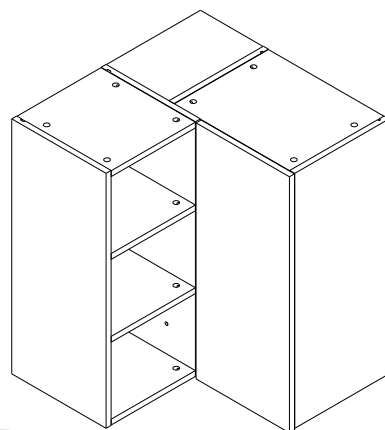


# TERTRIZ

**CORNER WALL CABINET 60CM.**

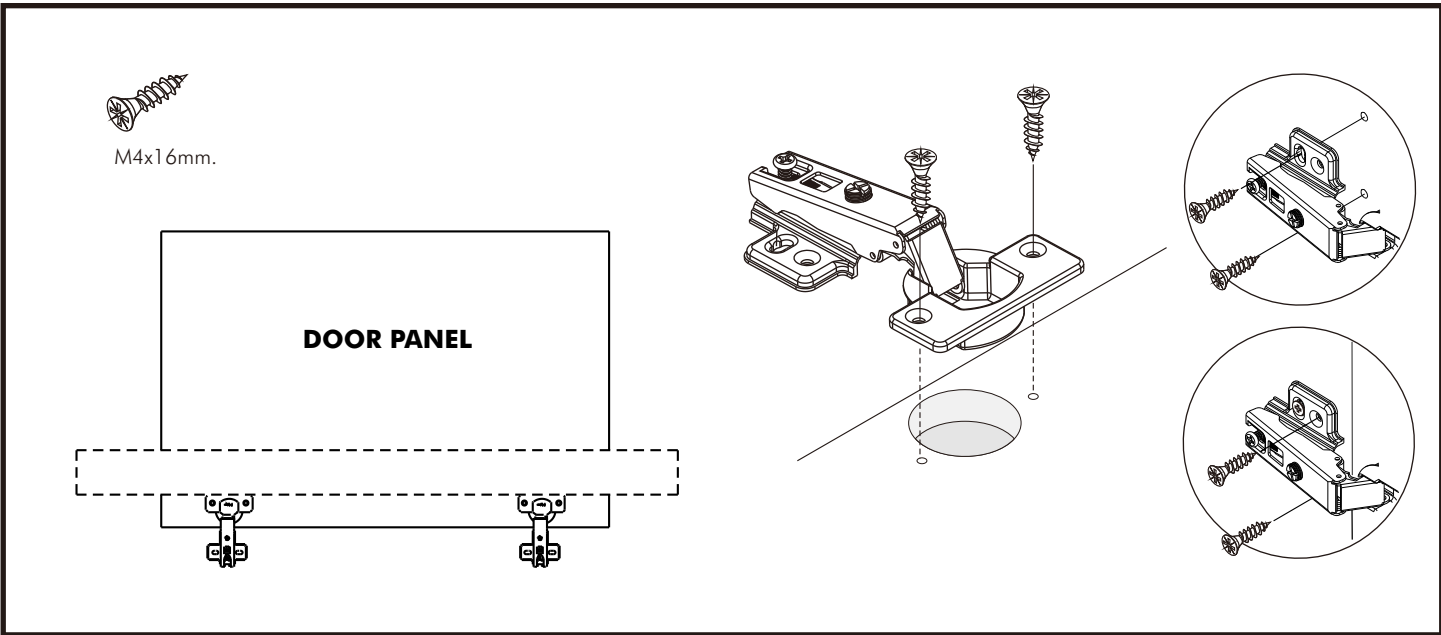
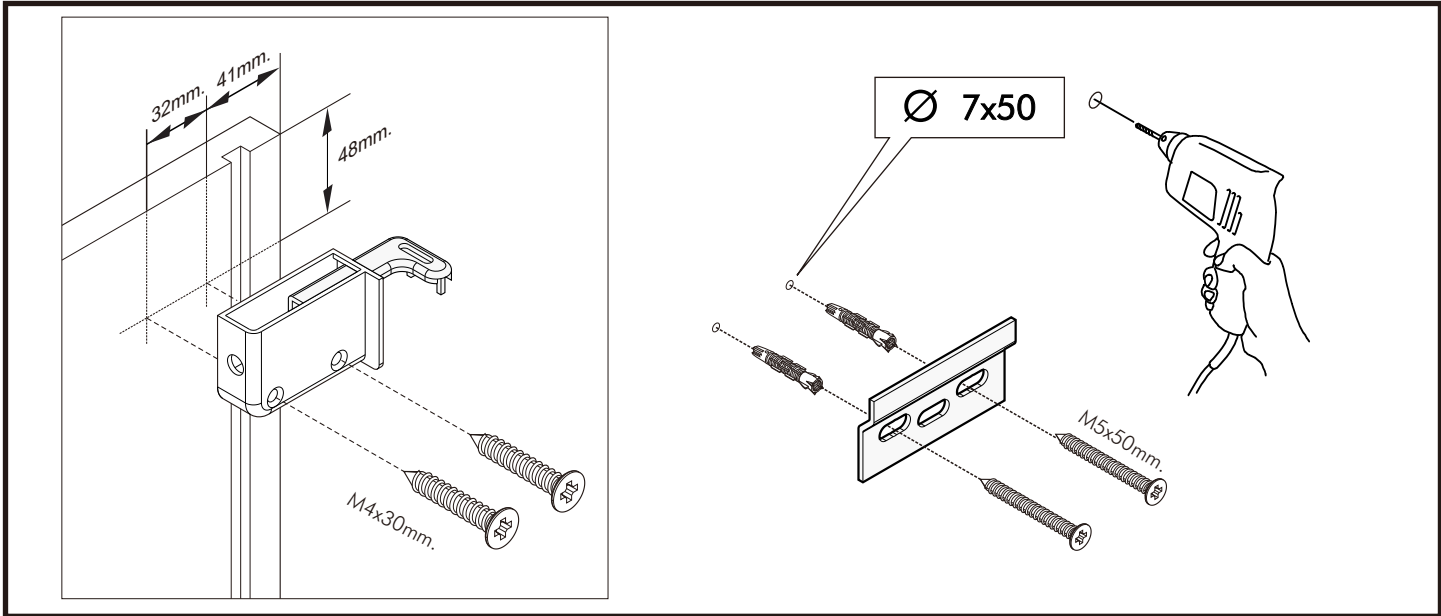
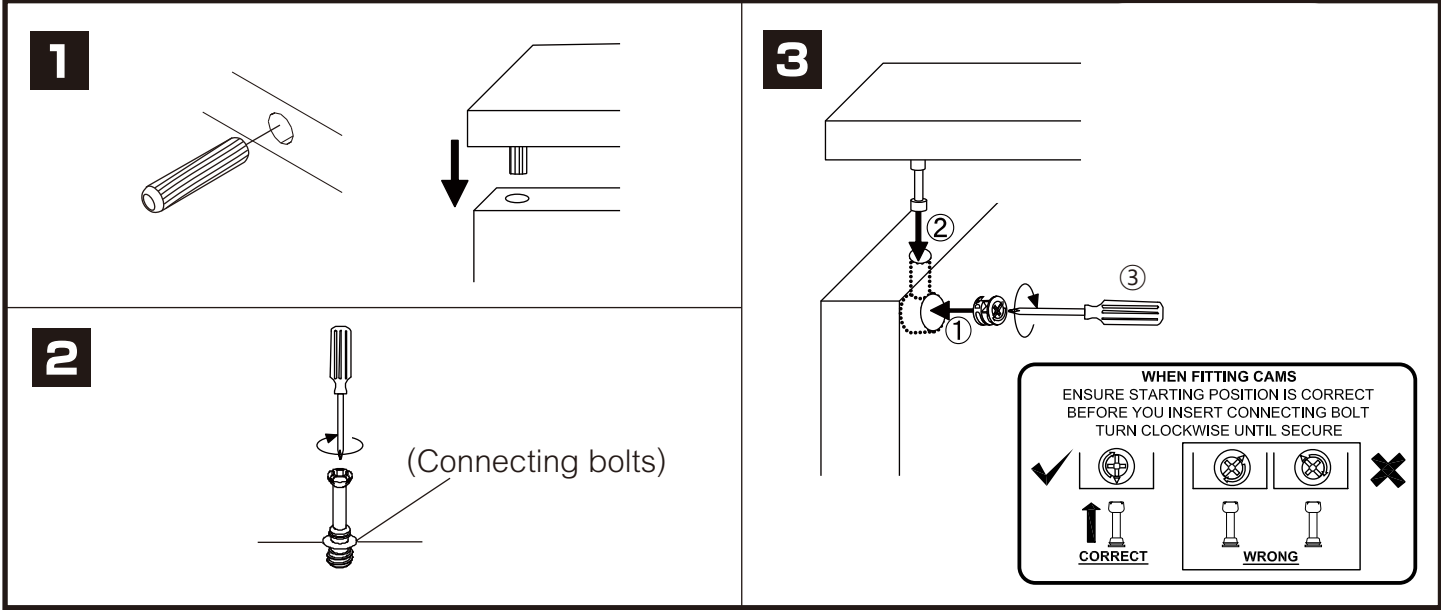


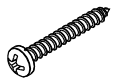
TYPE:A



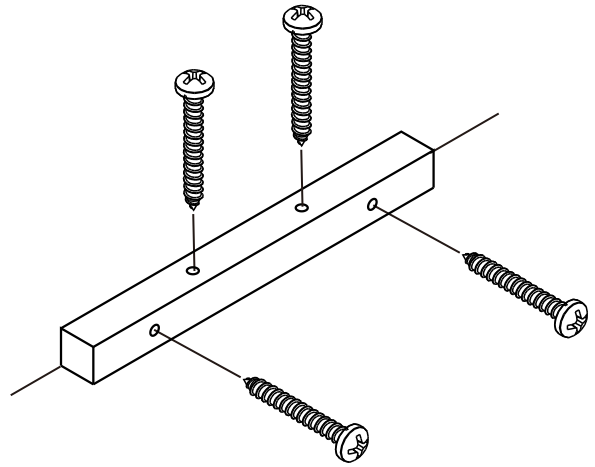
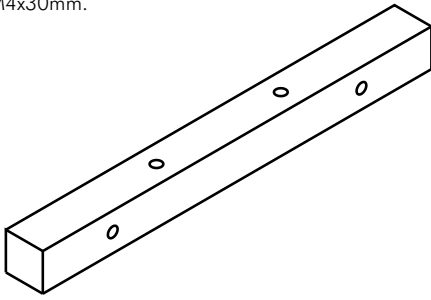
TYPE:B

# CONNECT SYSTEM



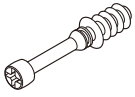


M4x30mm.



# HARDWARE

## -BODY SET

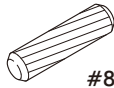


**x 24**



16mm.

**x 24**



#8x35

**x 24**

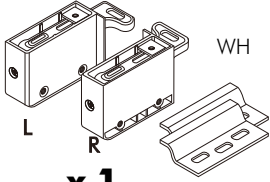


**x 12**

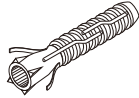


WH

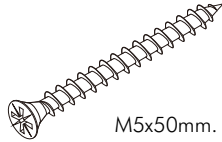
**x 4**



**x 1**

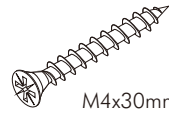


**x 8**



M5x50mm.

**x 8**



M4x30mm.

**x 10**

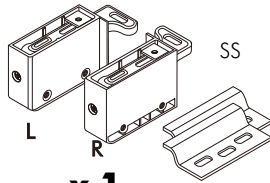


M4x20mm.

**x 2**



**x 4**

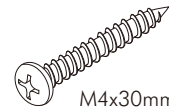


**x 1**



3x11 mm.

**x 4**



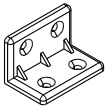
M4x30mm.

**x 8**



M4x25mm.

**x 4**



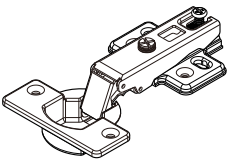
**x 2**



M4x16mm.

**x 8**

## -DOOR SET



**x 2**



M4x16mm.

**x 12**



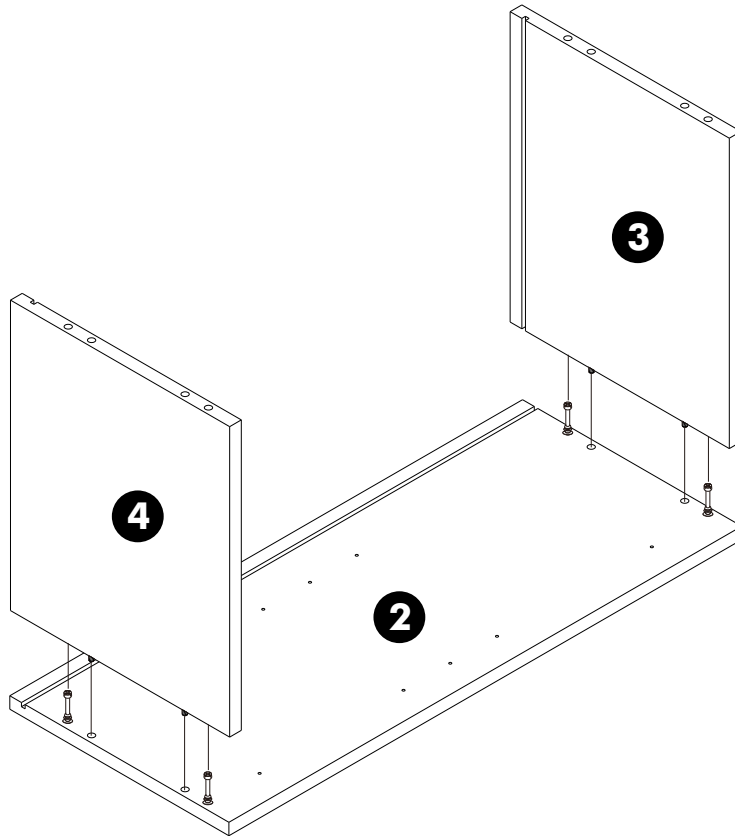
**x 2**

# ASSEMBLY

-BODY SET

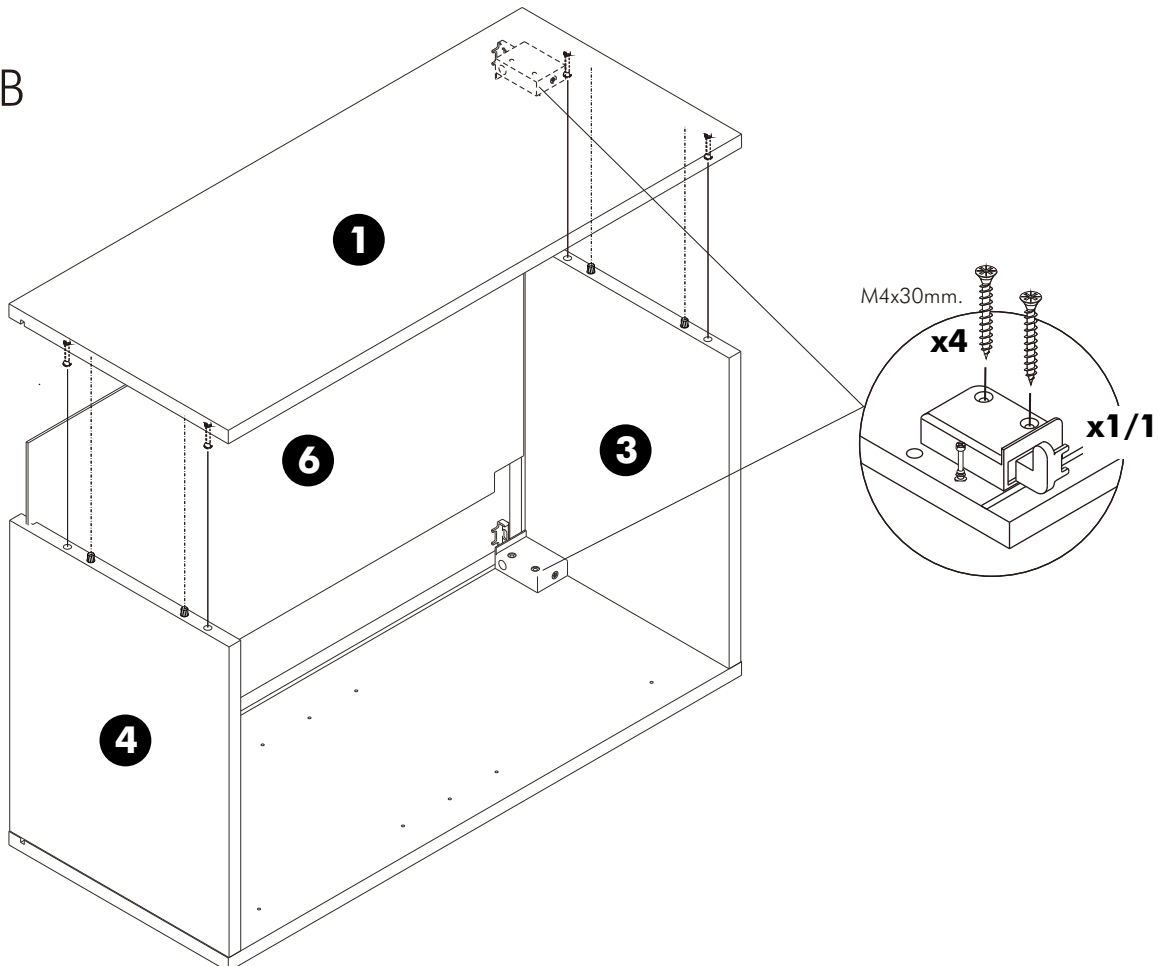
## 1.

TYPE:A-B



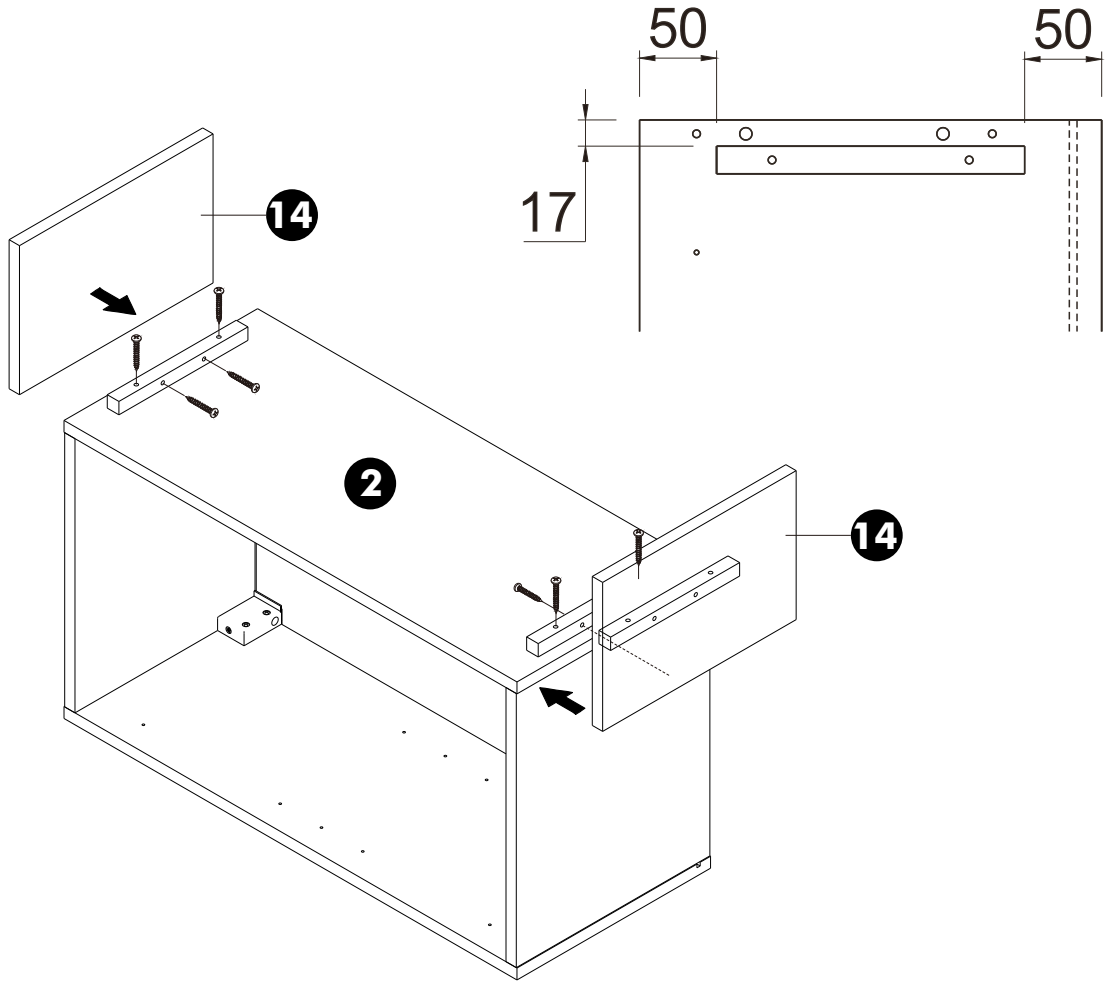
## 2.

TYPE:A-B

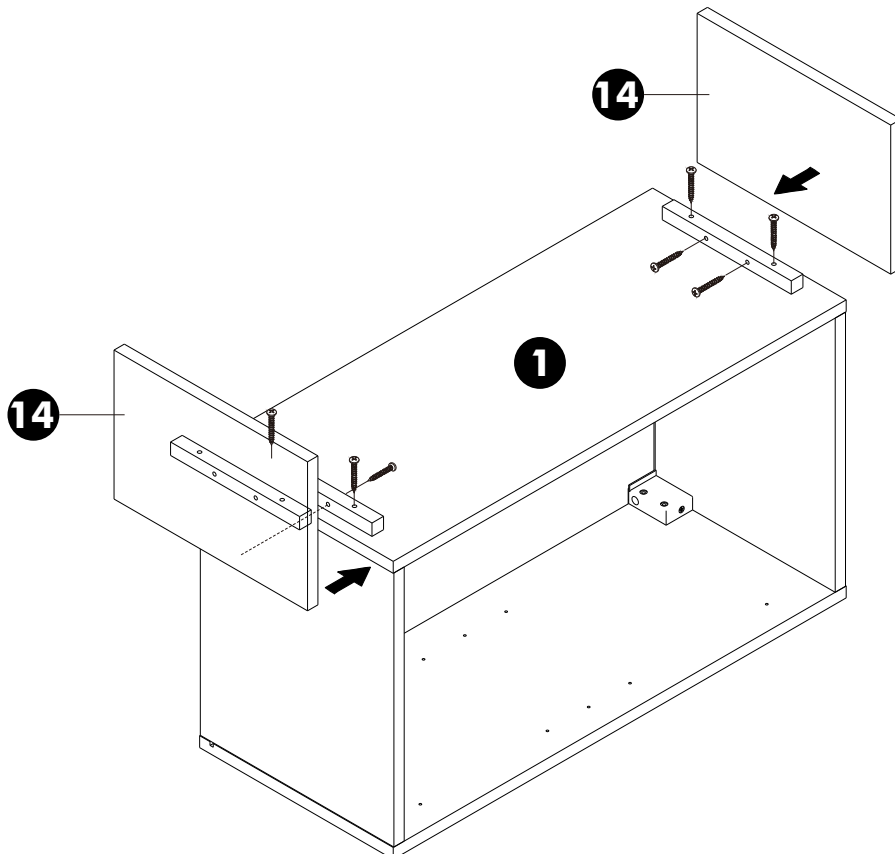


### 3.

TYPE:A



TYPE:B

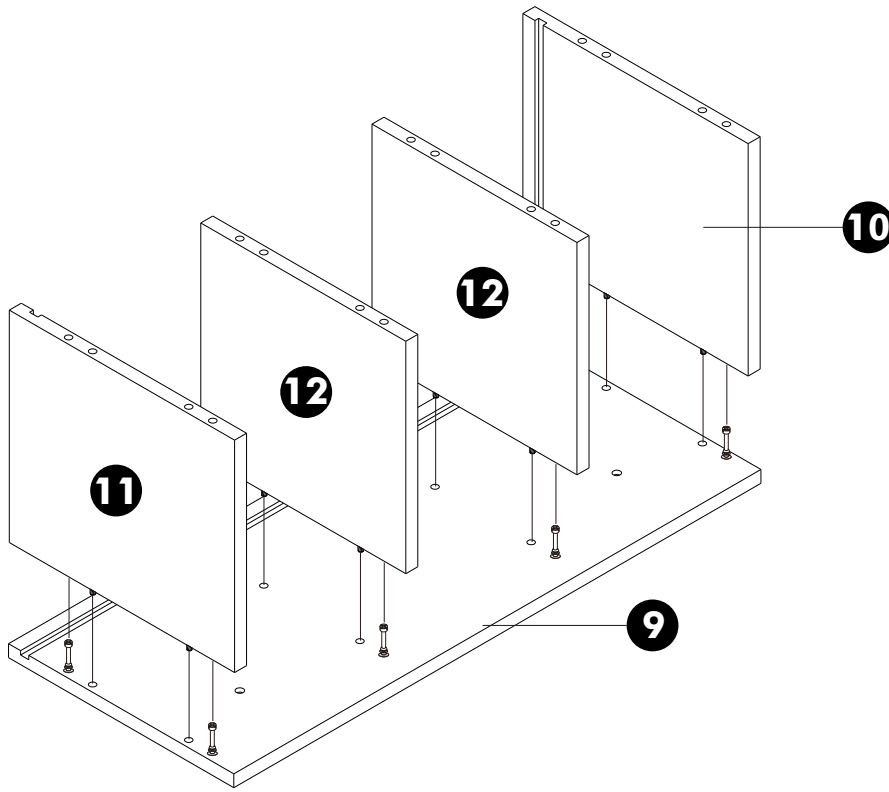


# ASSEMBLY

-BODY SET

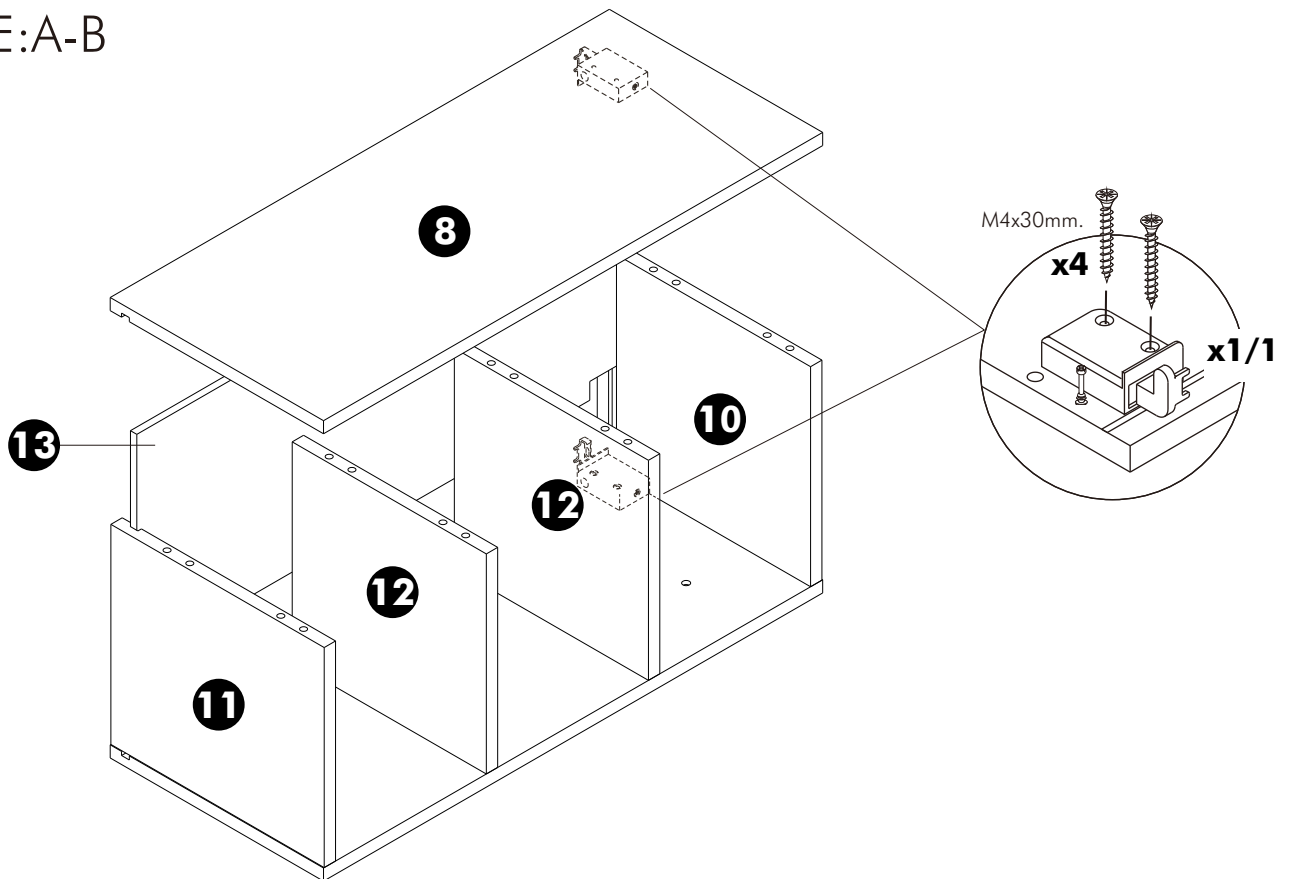
## 4.

TYPE:A-B



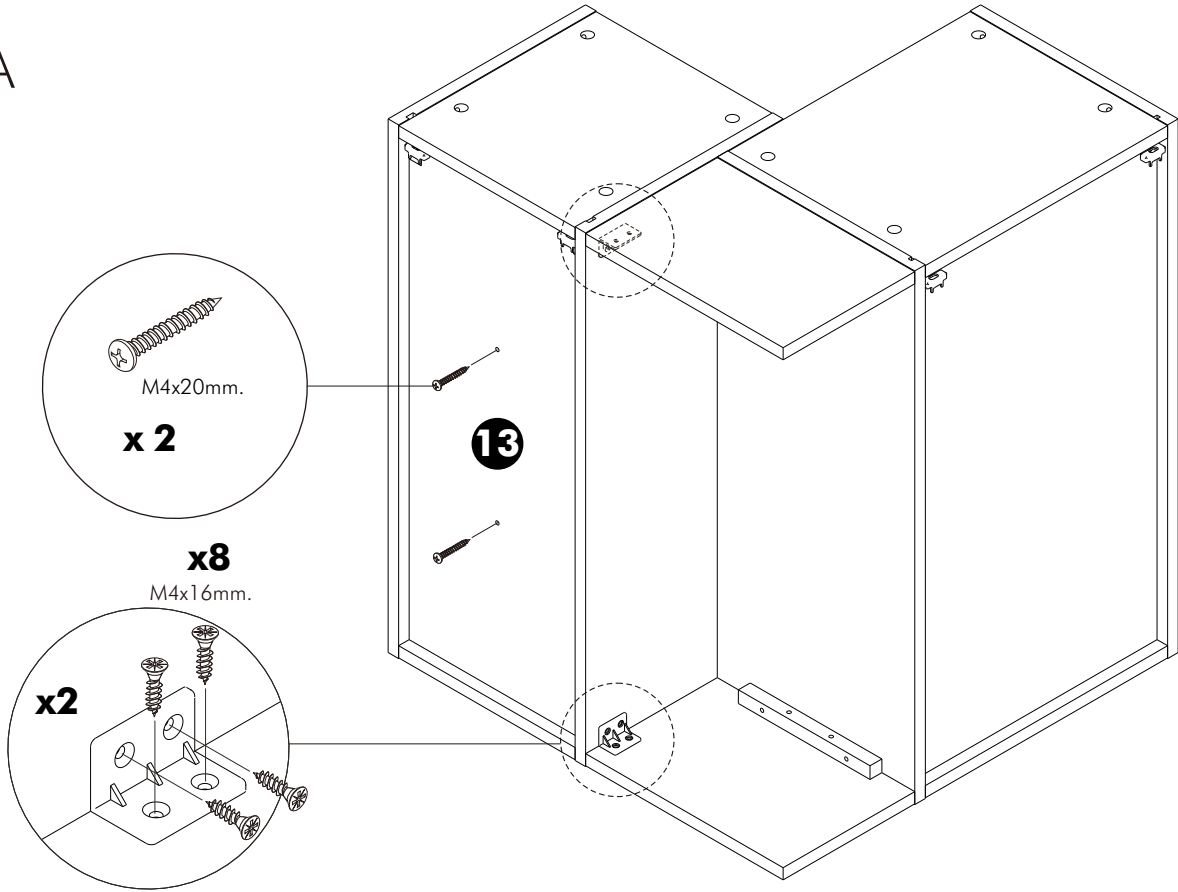
## 5.

TYPE:A-B



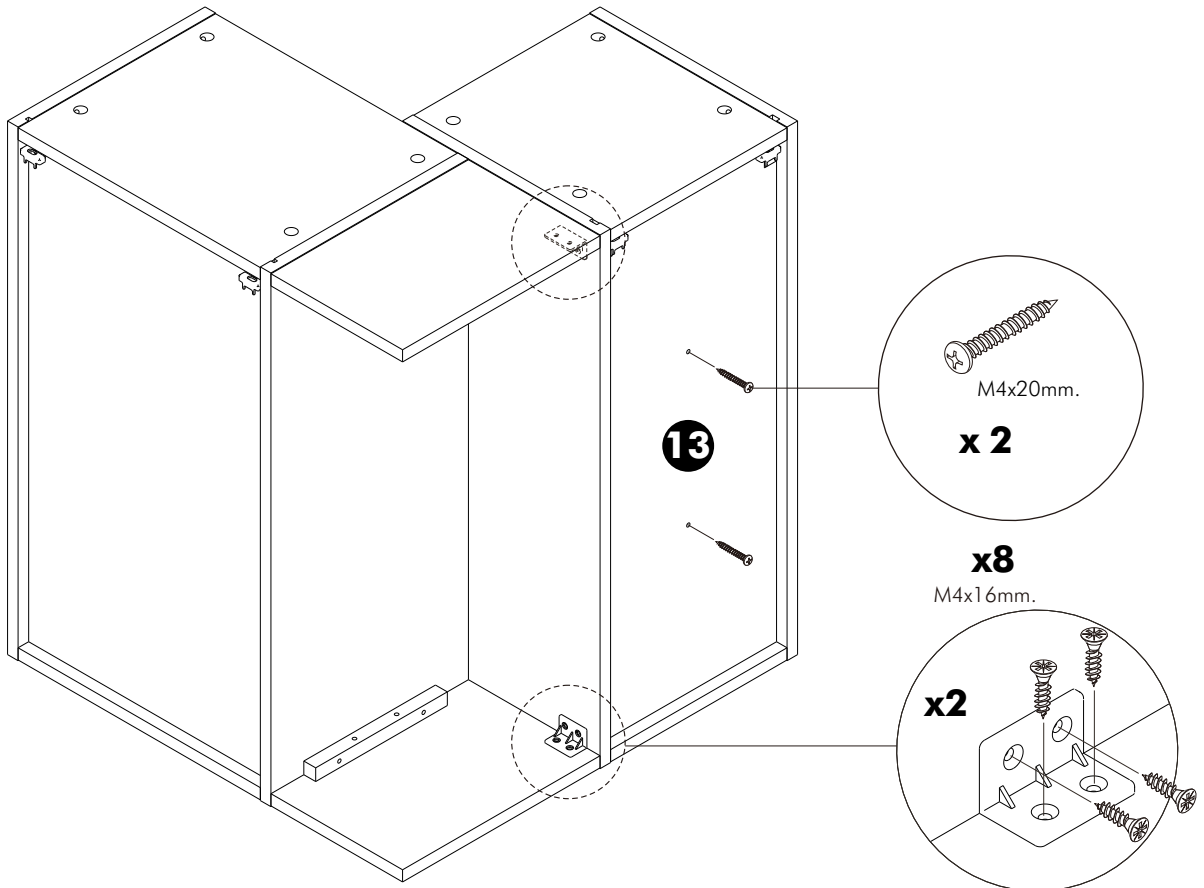
# 6.

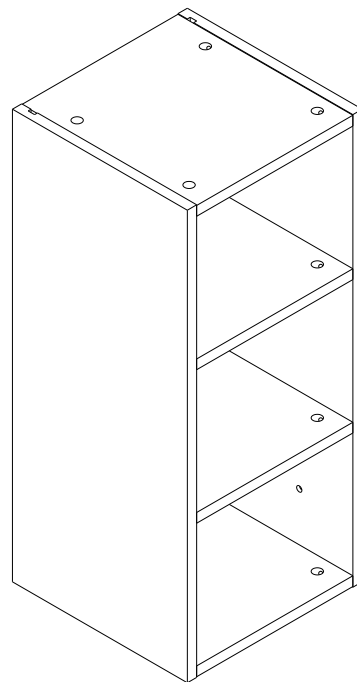
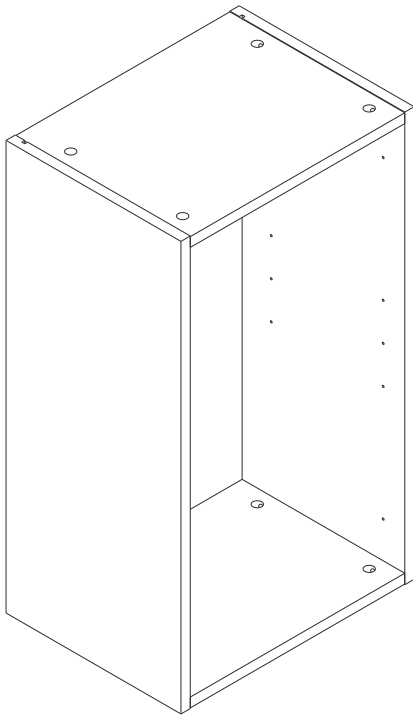
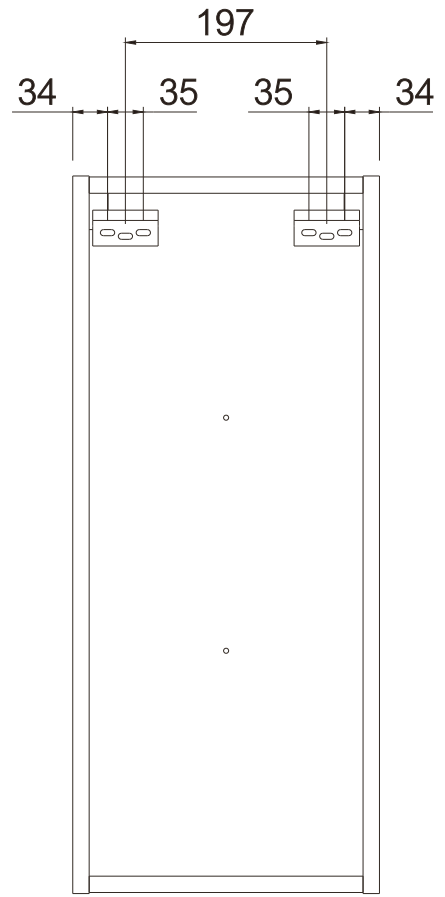
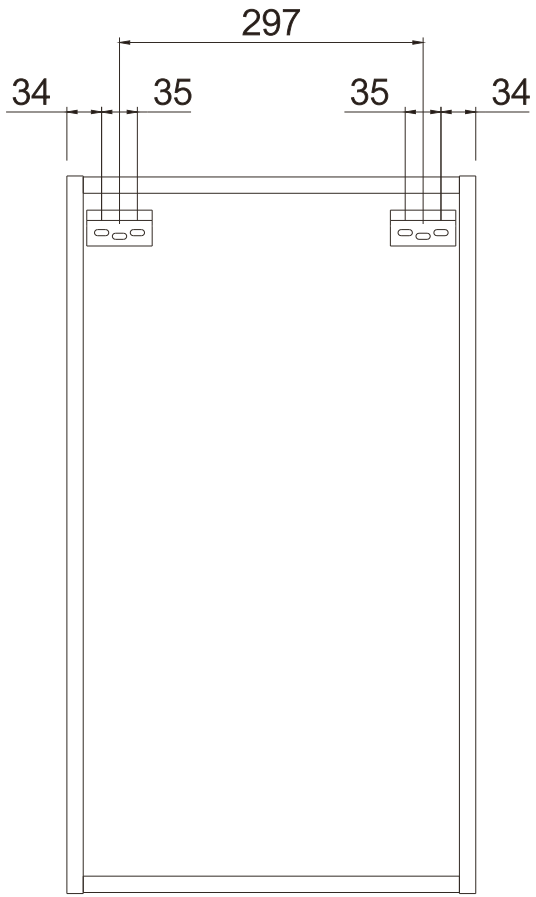
TYPE:A



# 6.

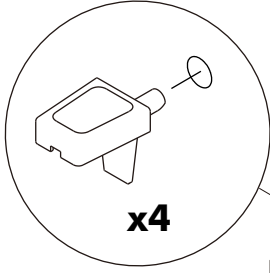
TYPE:B



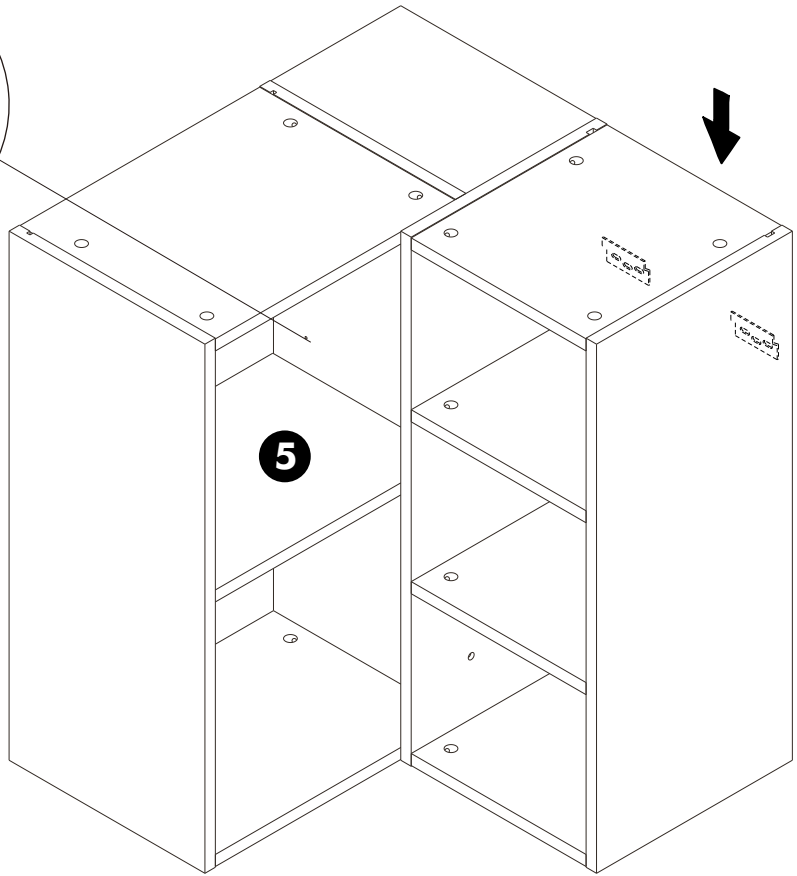
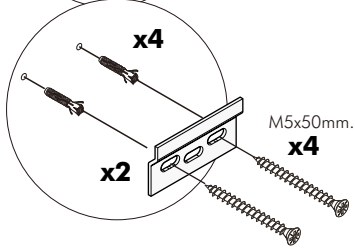
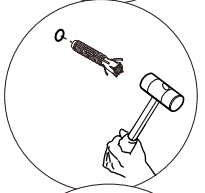


# 8.

TYPE:A

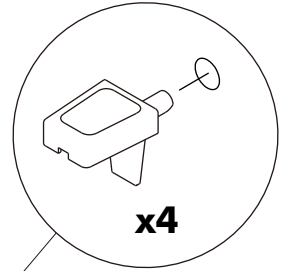


**WALL**

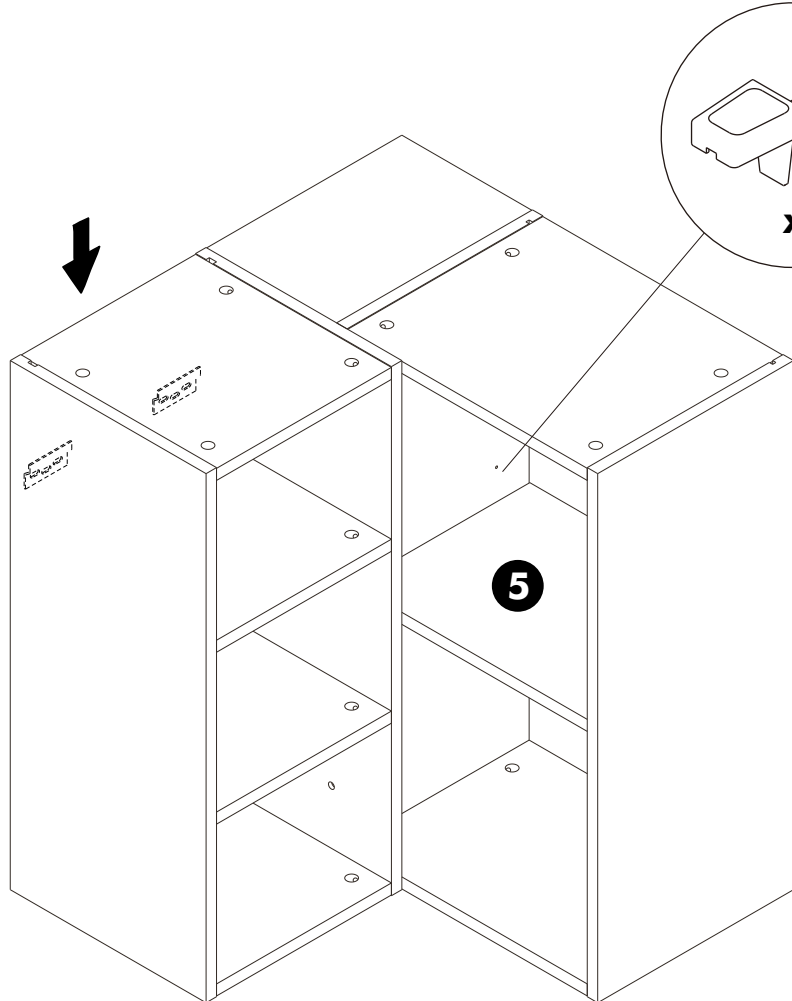
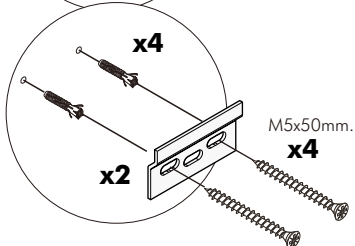
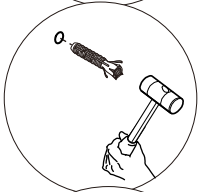
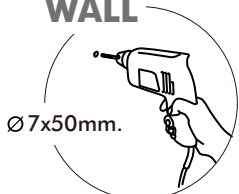


# 8.

TYPE:B

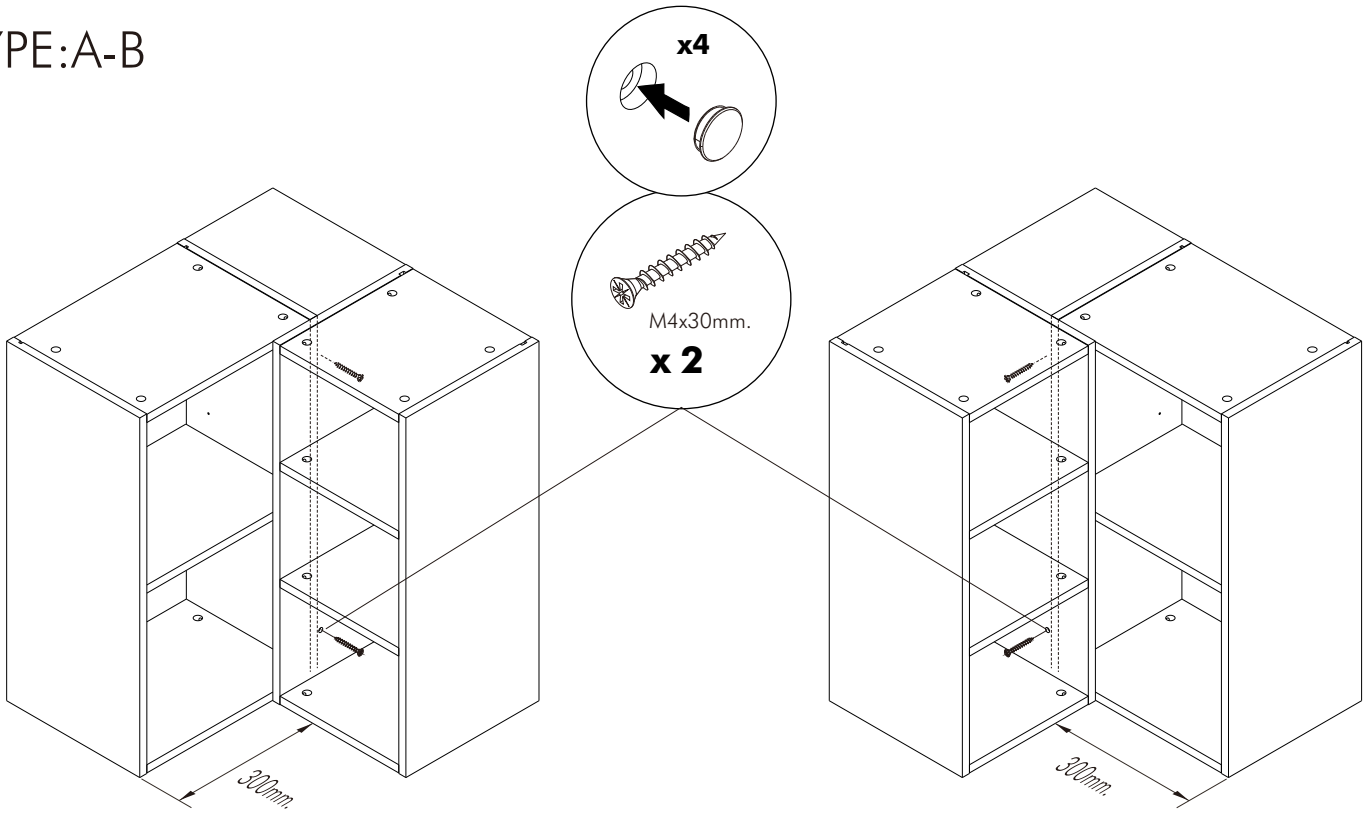


**WALL**



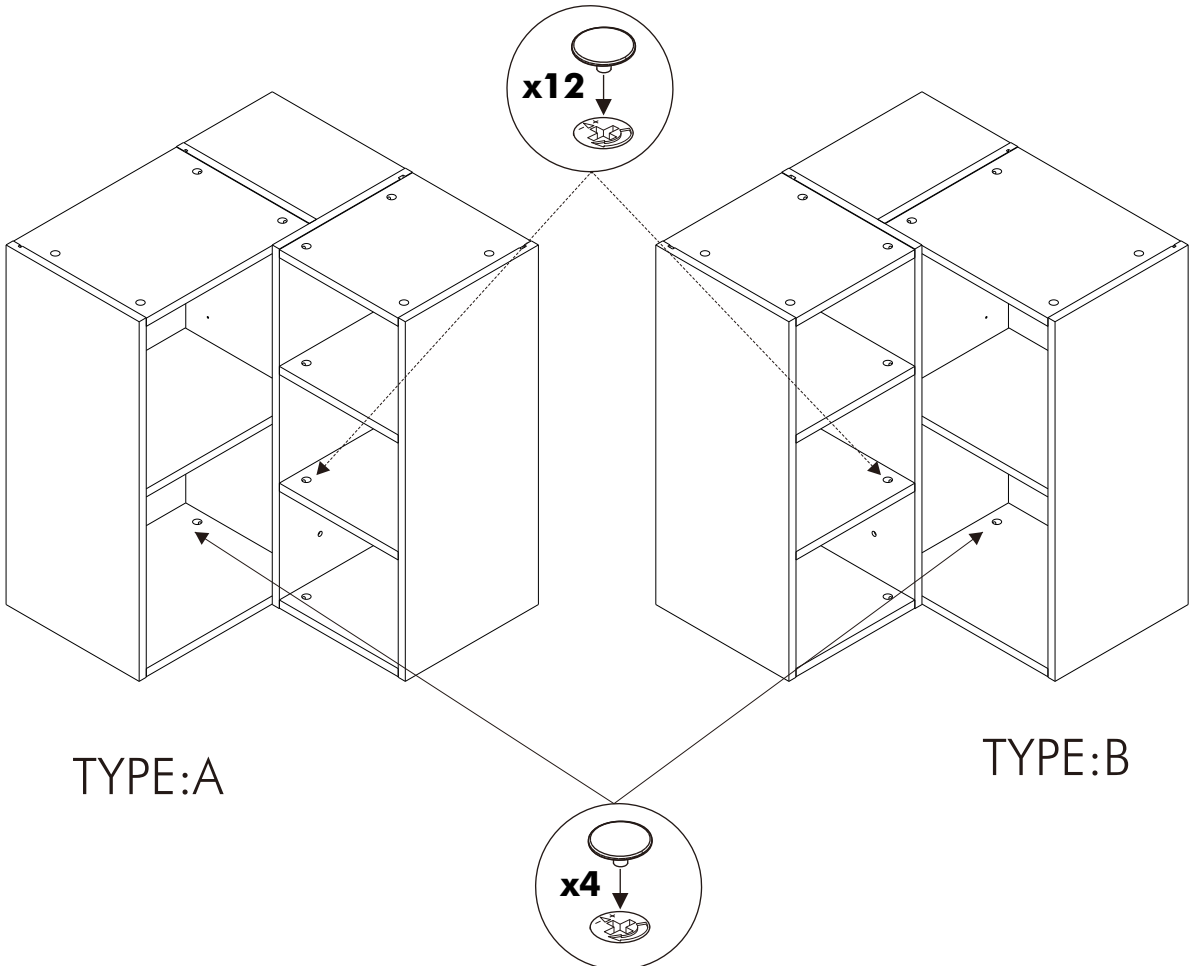
# 9.

TYPE:A-B



# 10.

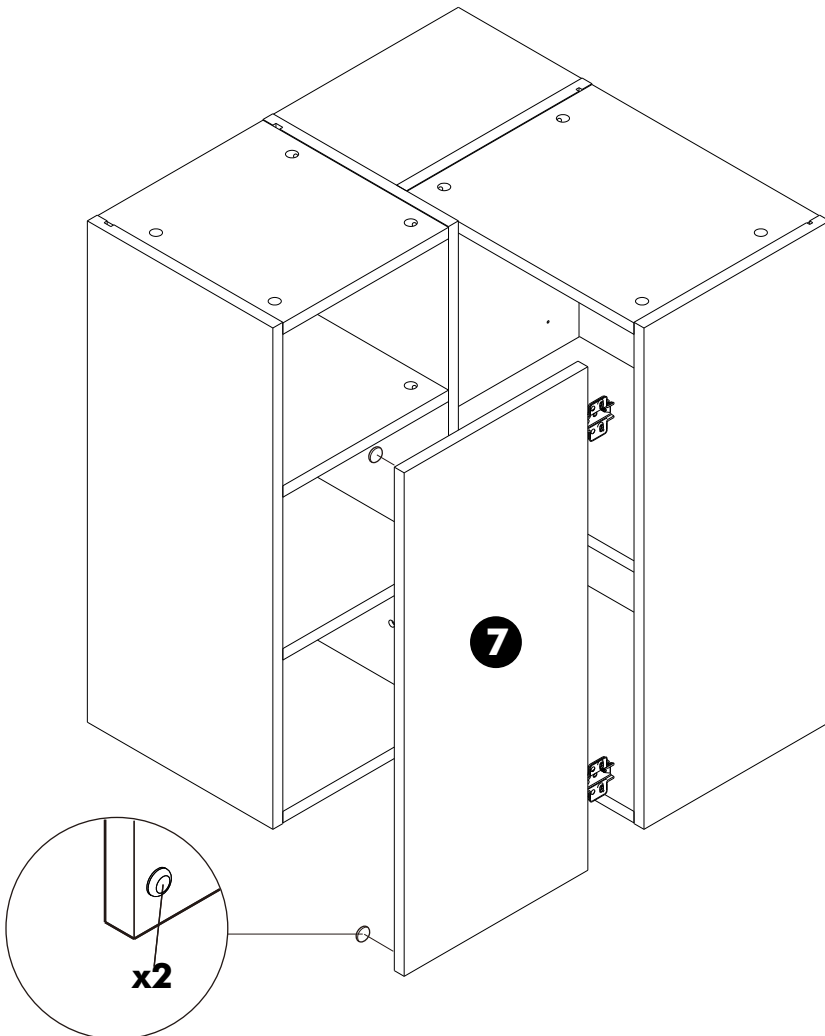
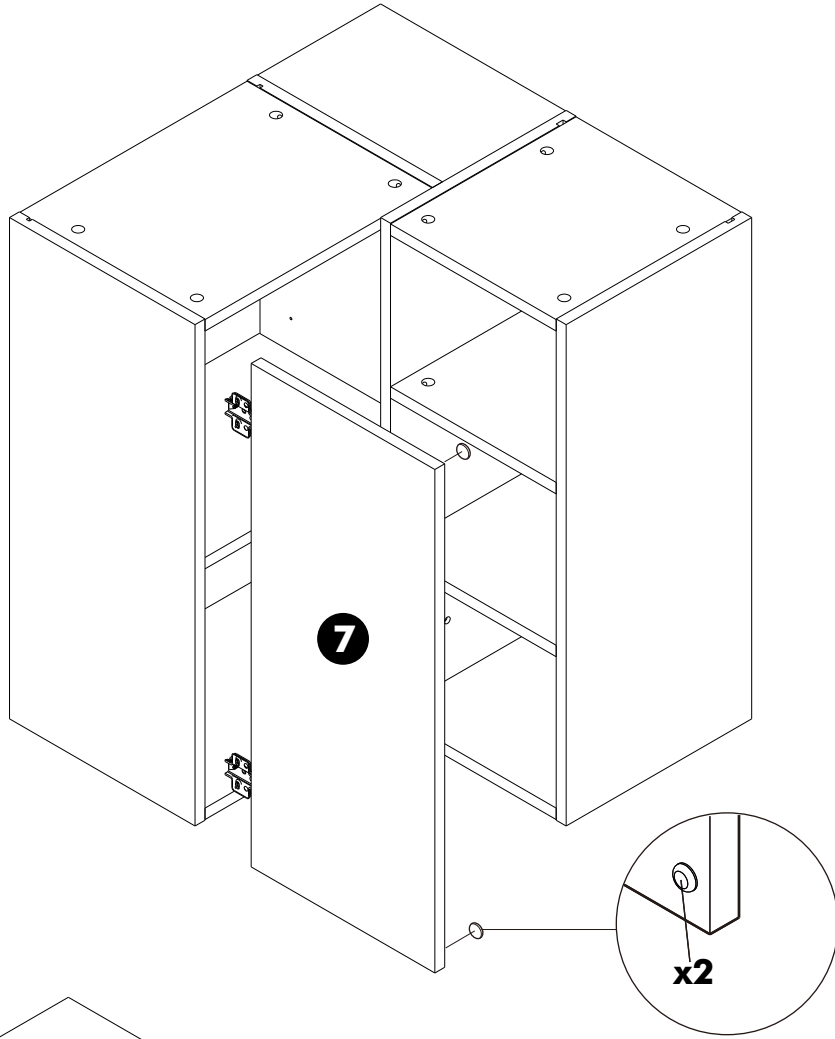
TYPE:A-B

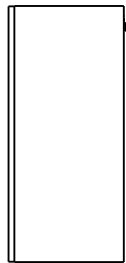
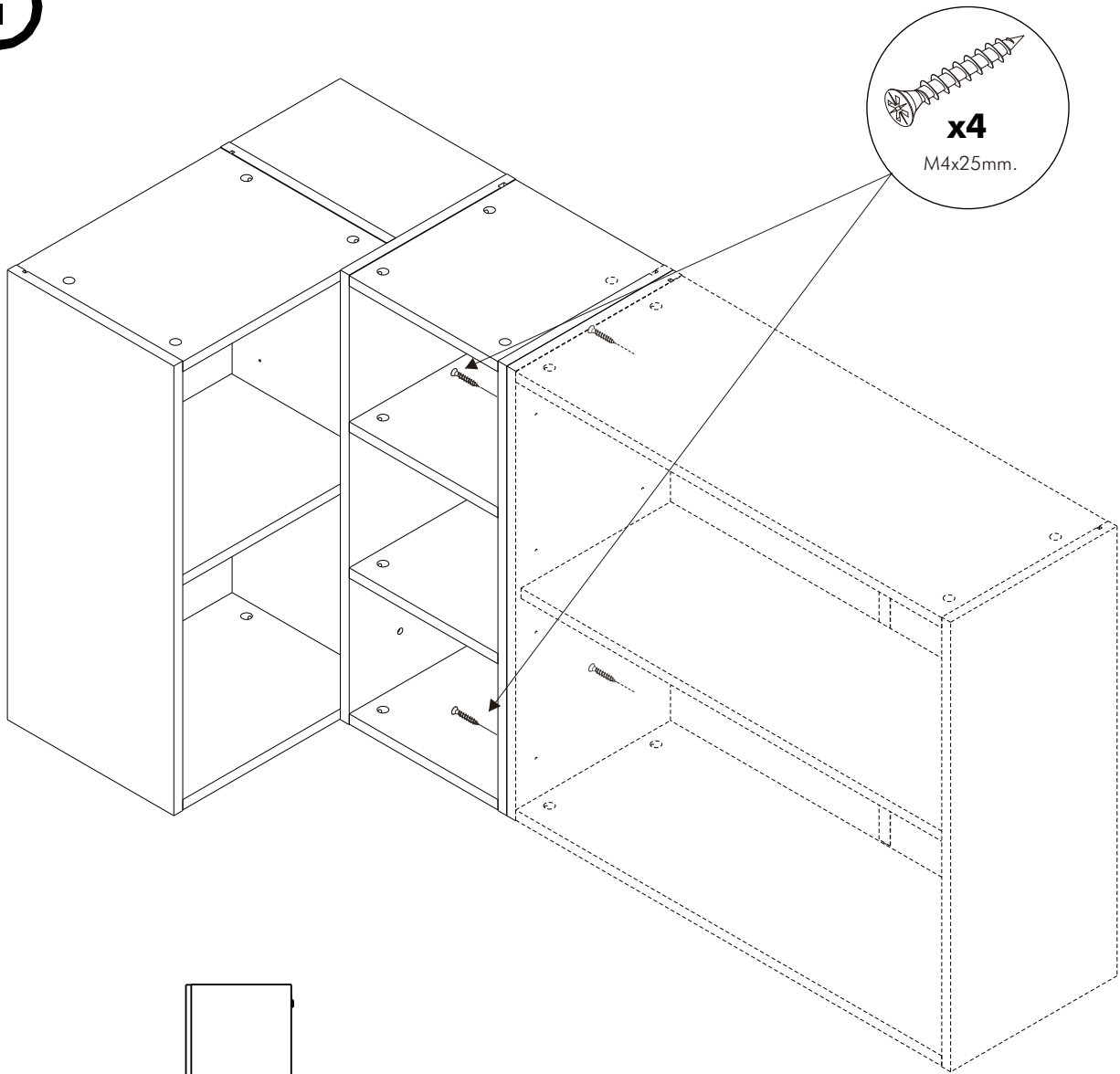


**ASSEMBLY**

-DOOR SET

TYPE:A-B





600MM.

