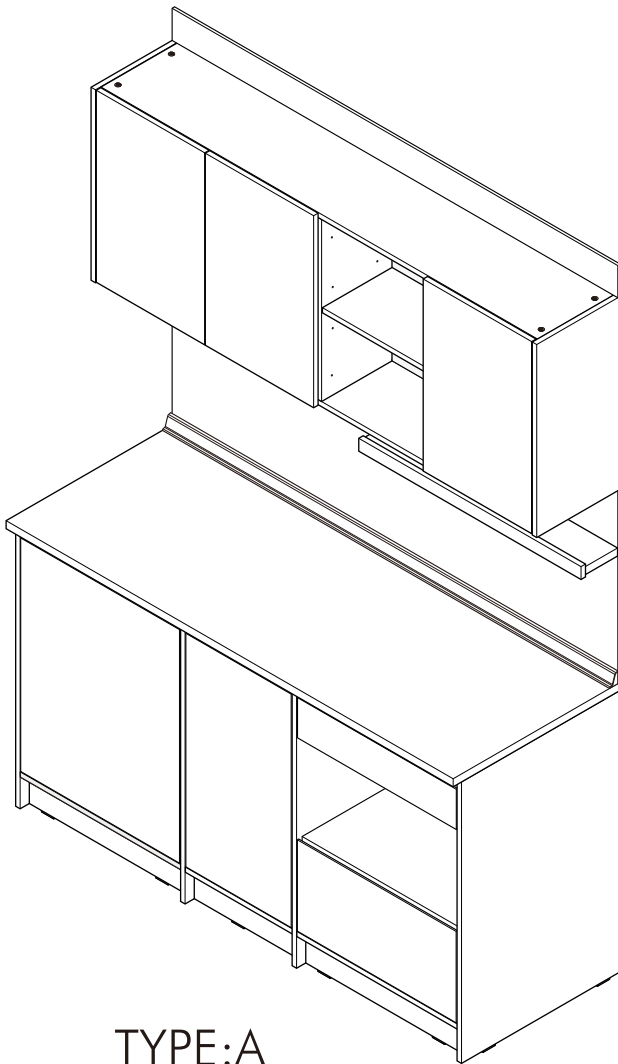
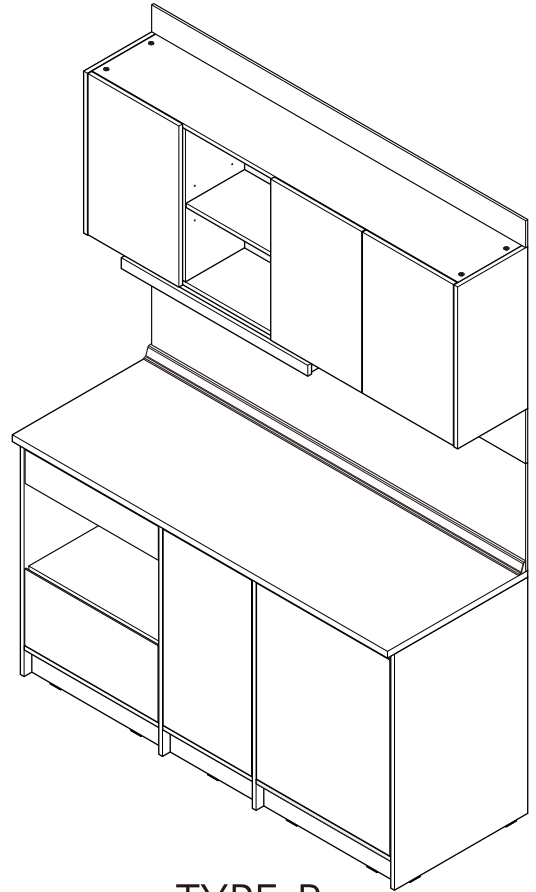


# PENNE

Kitchen 1.6 m



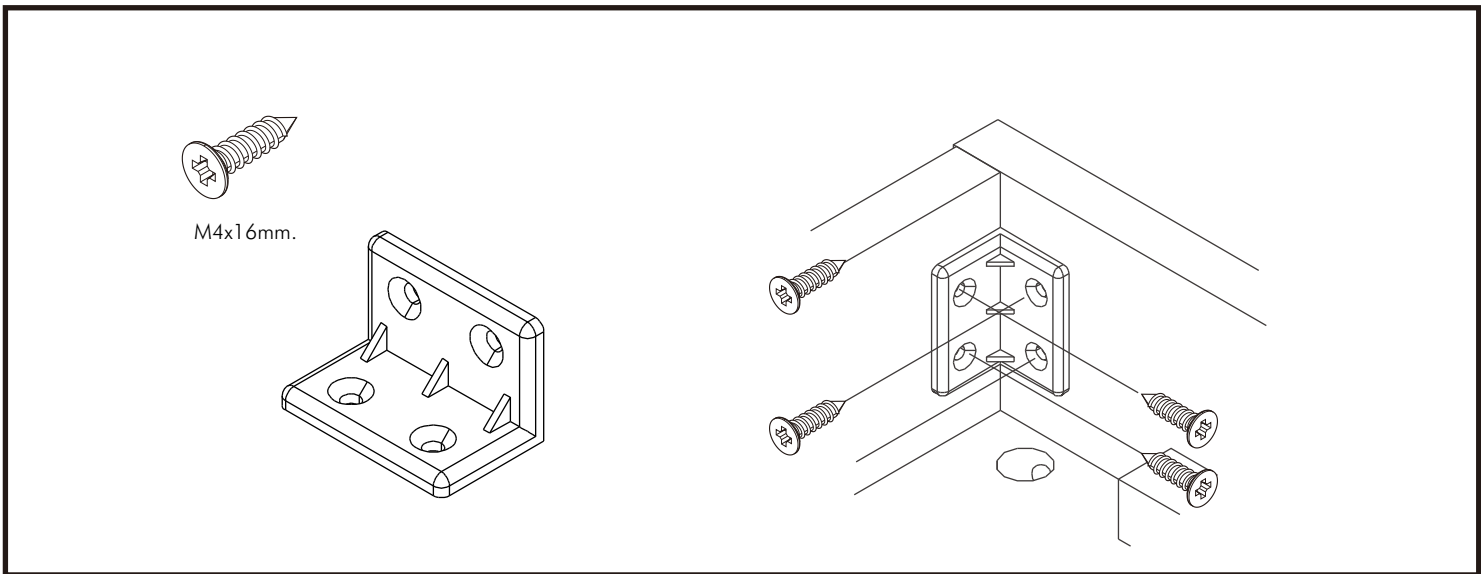
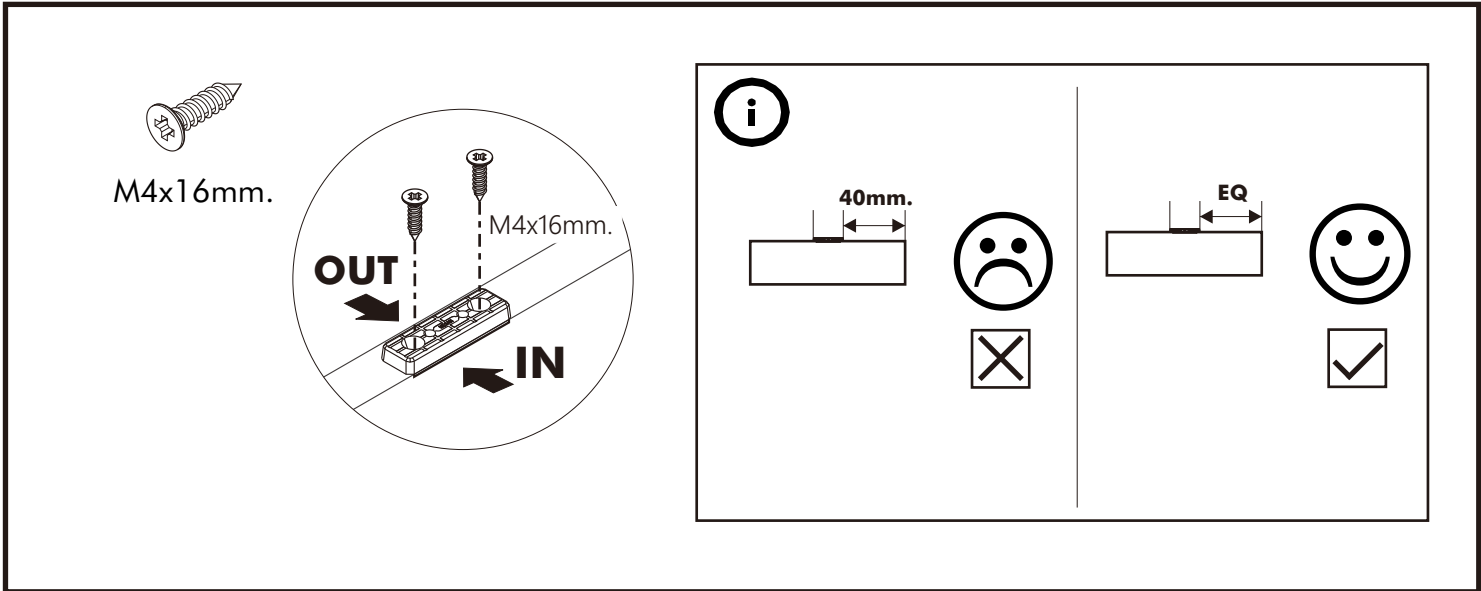
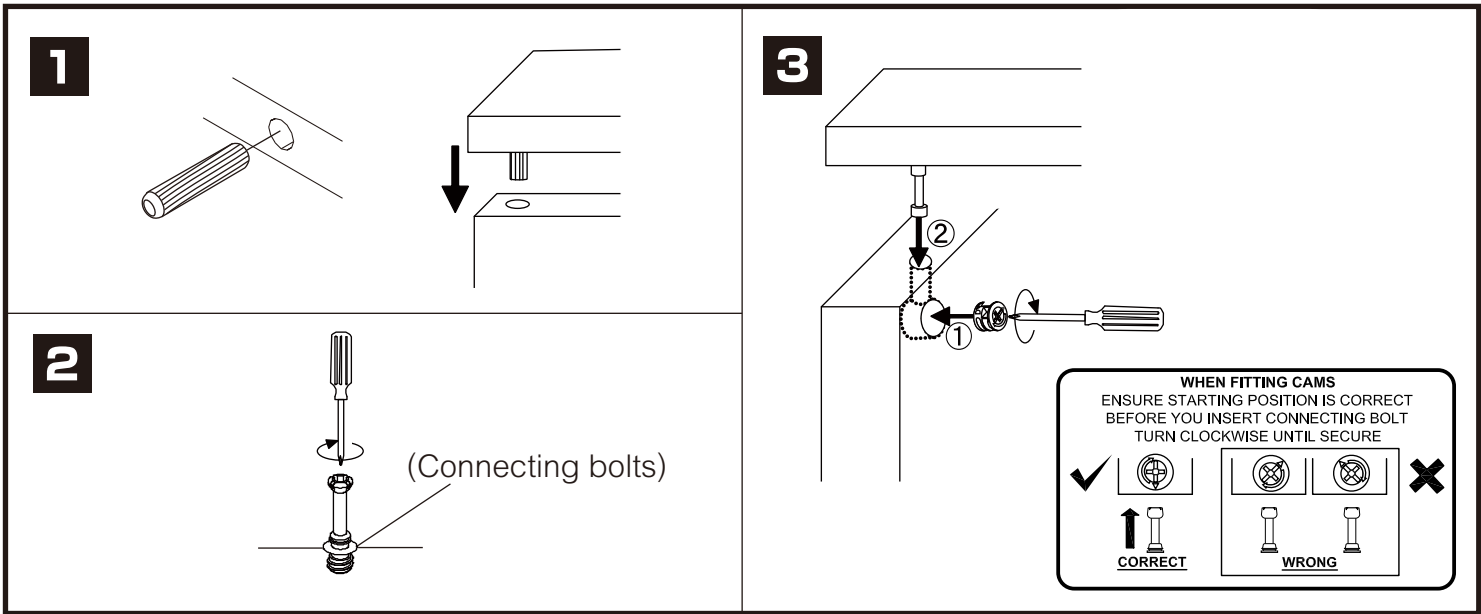
TYPE:A

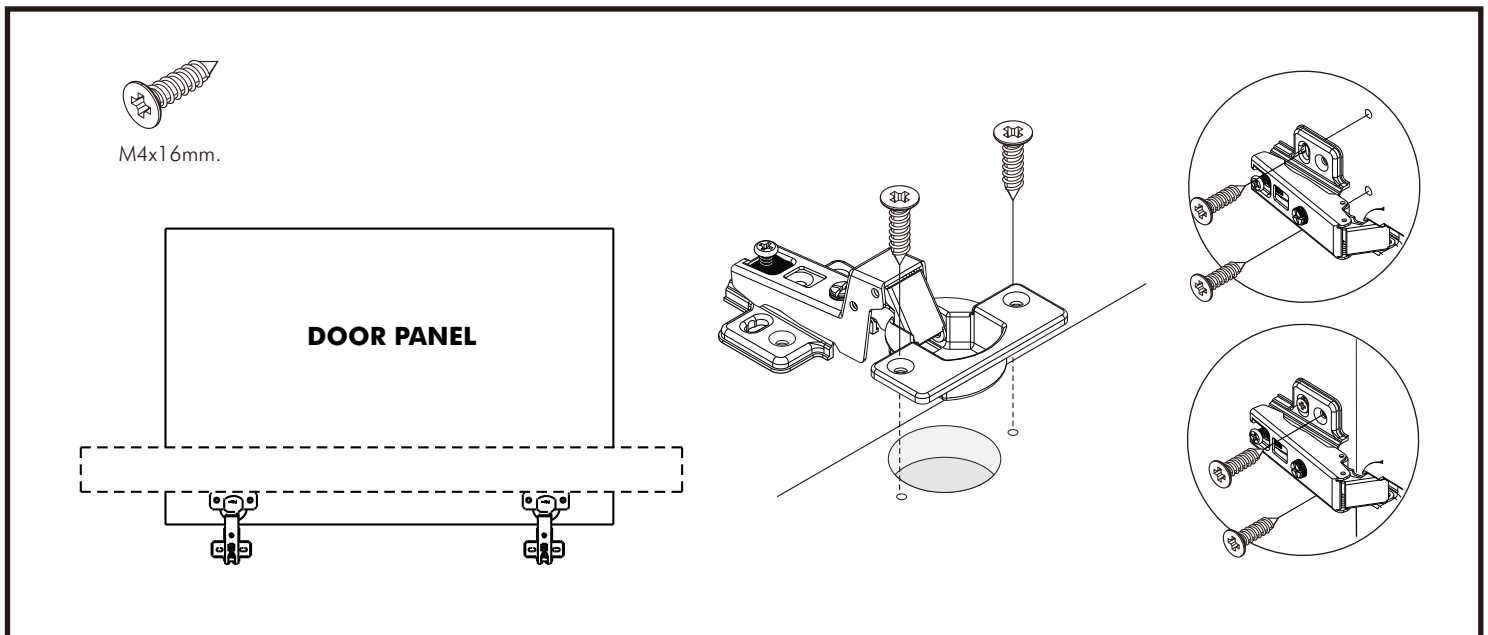
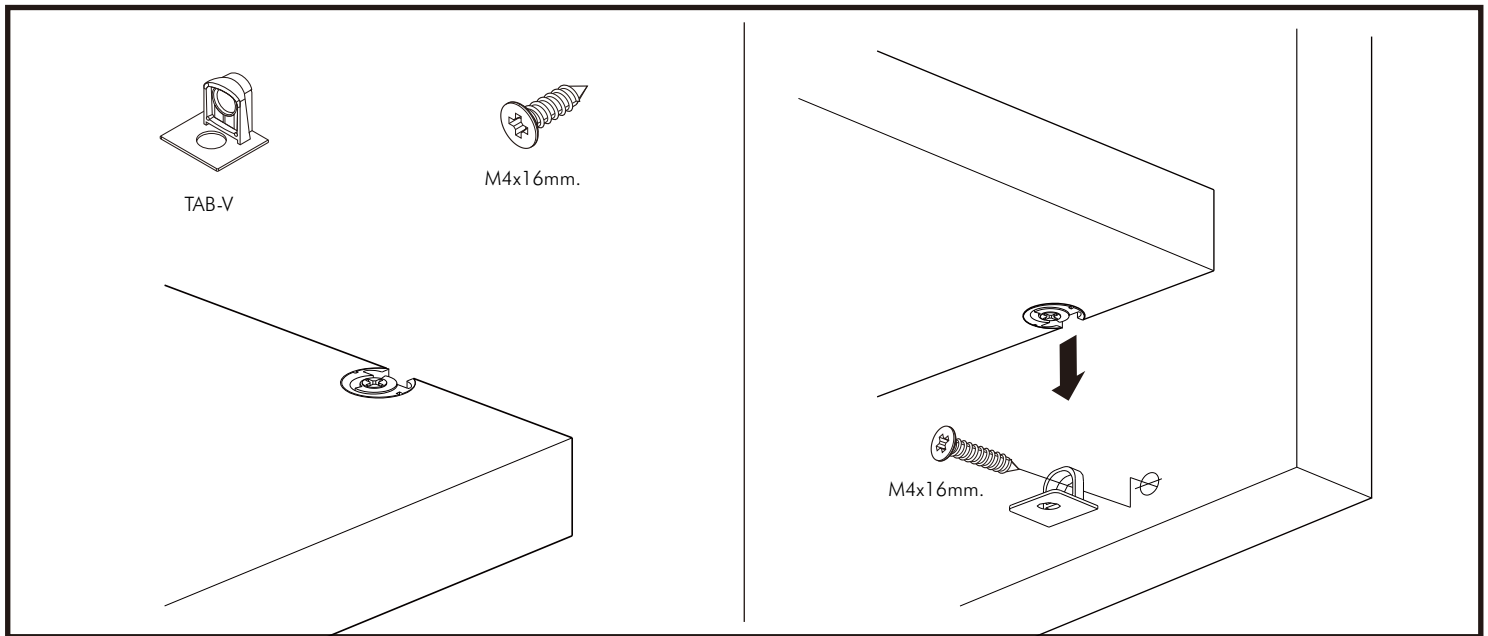
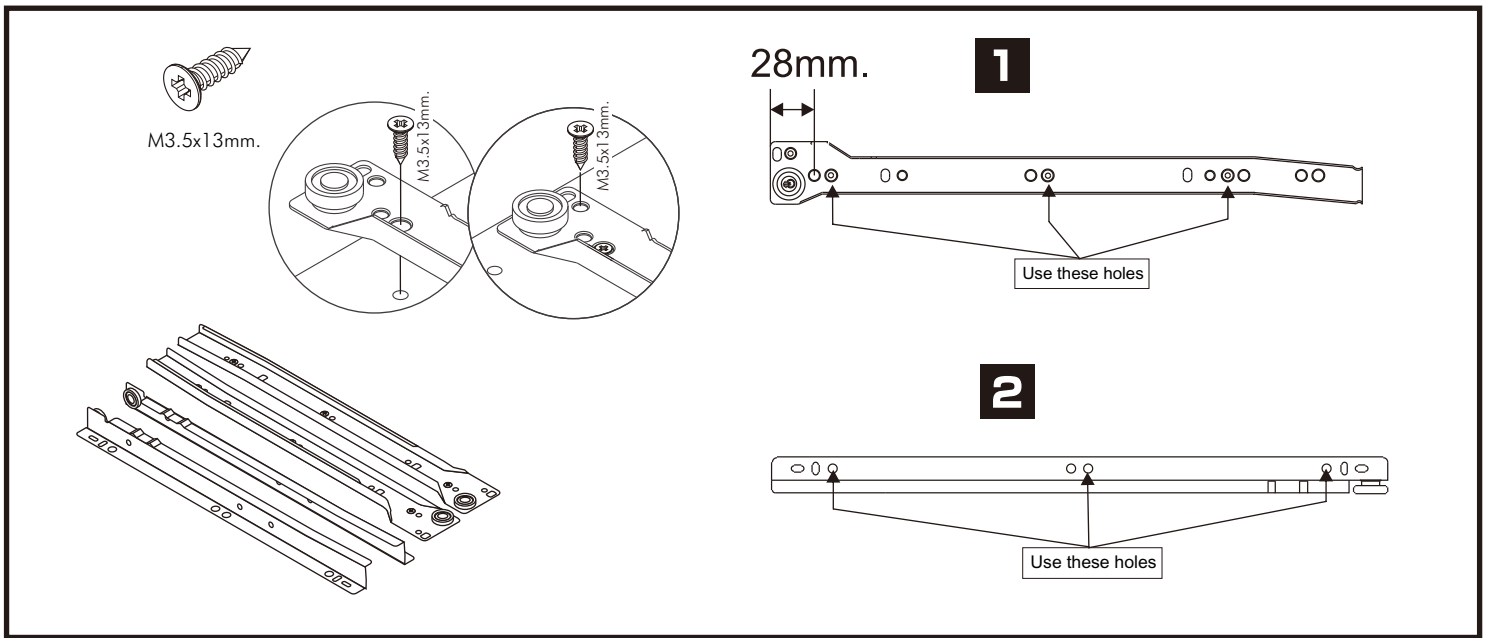


TYPE:B



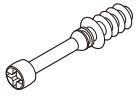
# CONNECT SYSTEM





# HARDWARE

## -BODY SET

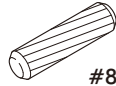


**x 17**



#15mm.

**x 14**



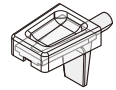
#8x35

**x 40**

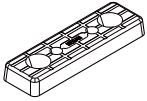


#19mm.

**x 3**



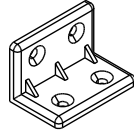
**x 20**



**x 13**



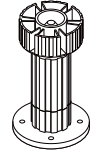
**x 5**



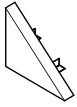
**x 42**



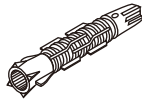
**x 5**



**x 10**



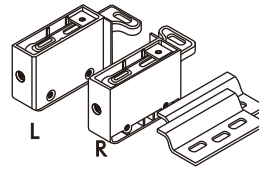
**x 2**



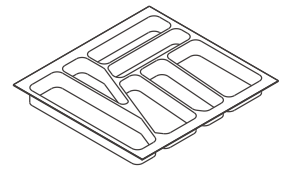
**x 10**



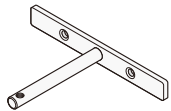
**x 4**



**x L1/R2**



**x 1**



**x 2**



M4x15mm.

**x 2**



M4x16mm.

**x 238**



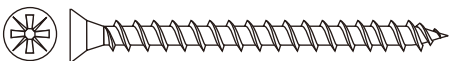
M4x30mm.

**x 6**



M4x50mm.

**x 4**



M5x50mm.

**x 6**



M5x70mm.

**x 4**



M4x16mm.

**x 10**

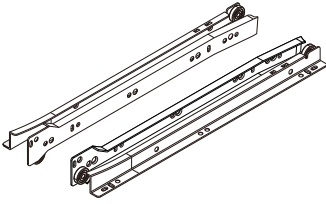


M4x20mm.

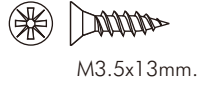
**x 6**

# HARDWARE

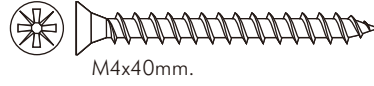
## -DRAWER SET



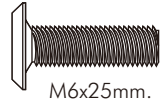
**x 2 Set**



**x 28**



**x 20**

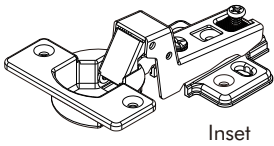


**x 4**

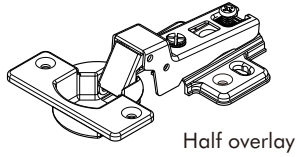


**x 4**

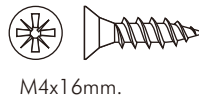
## -DOOR SET



**x 8**



**x 2**

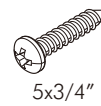
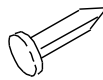
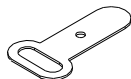
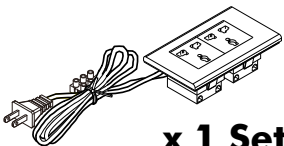


**x 60**



**x 8**

## -LAMP SET



**x 1**

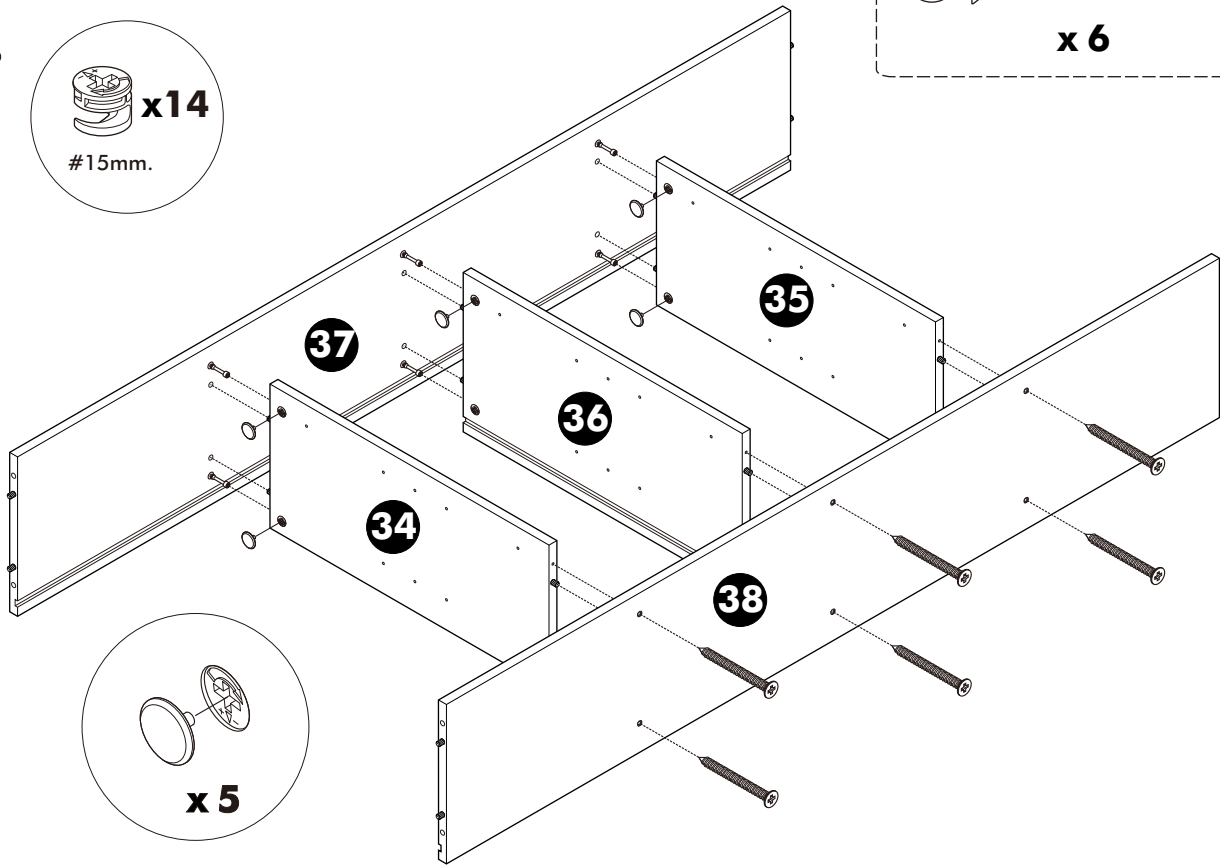
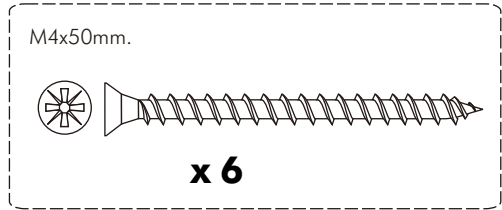


**x 4**

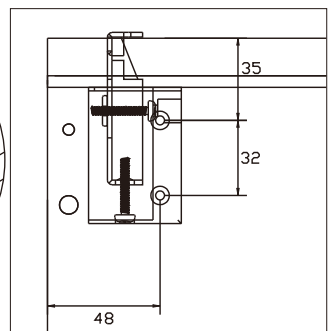
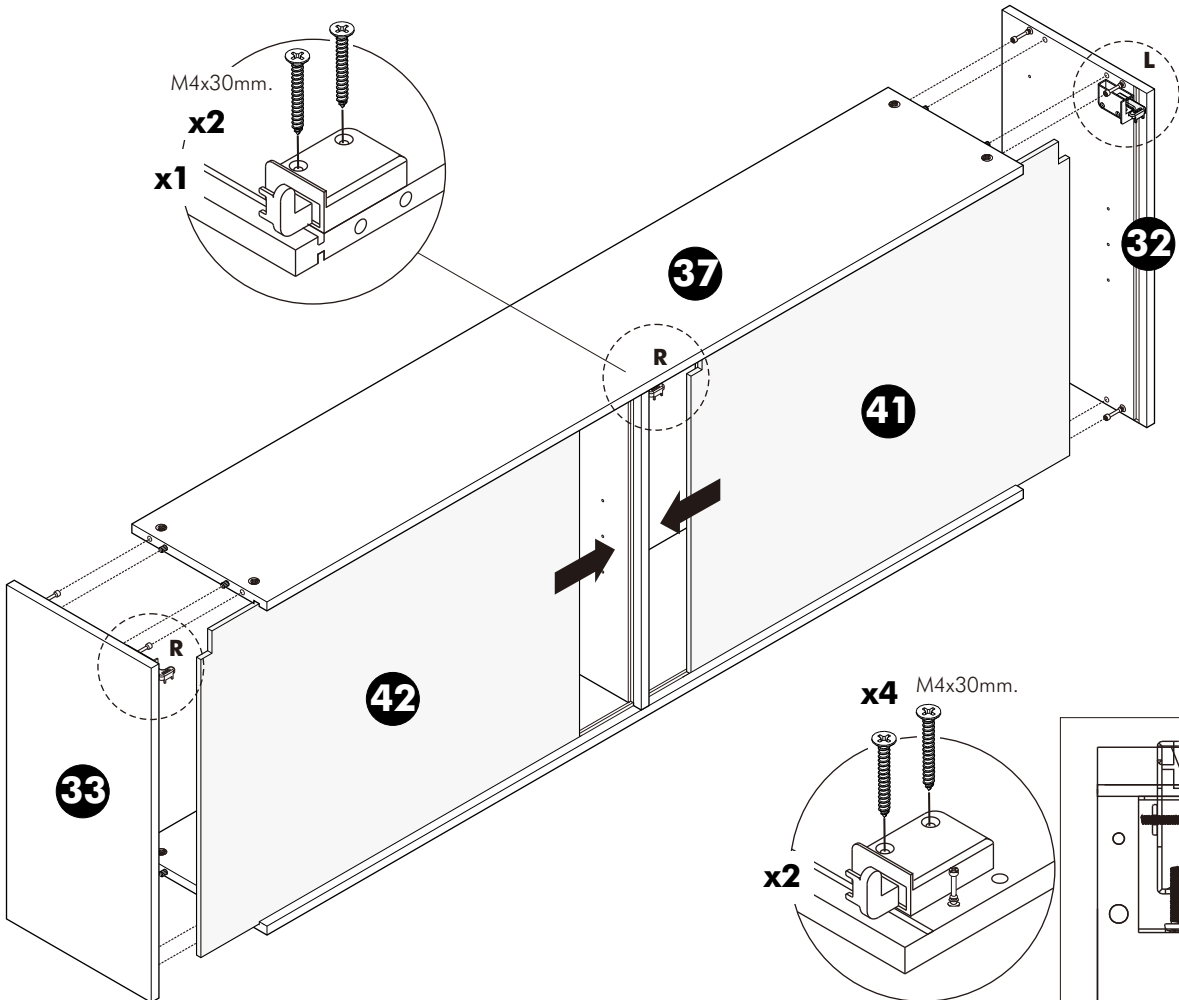
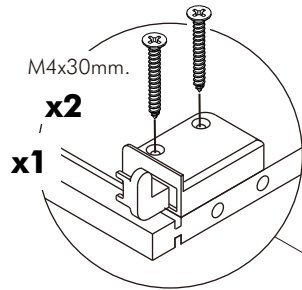
# ASSEMBLY

-BODY SET

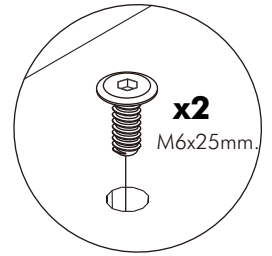
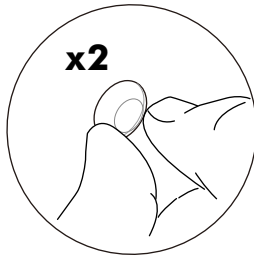
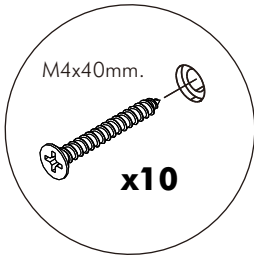
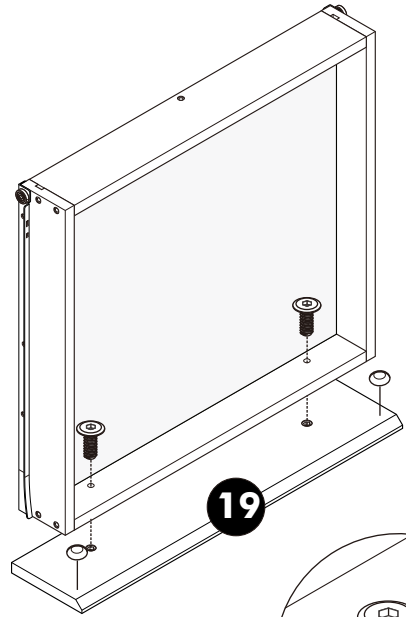
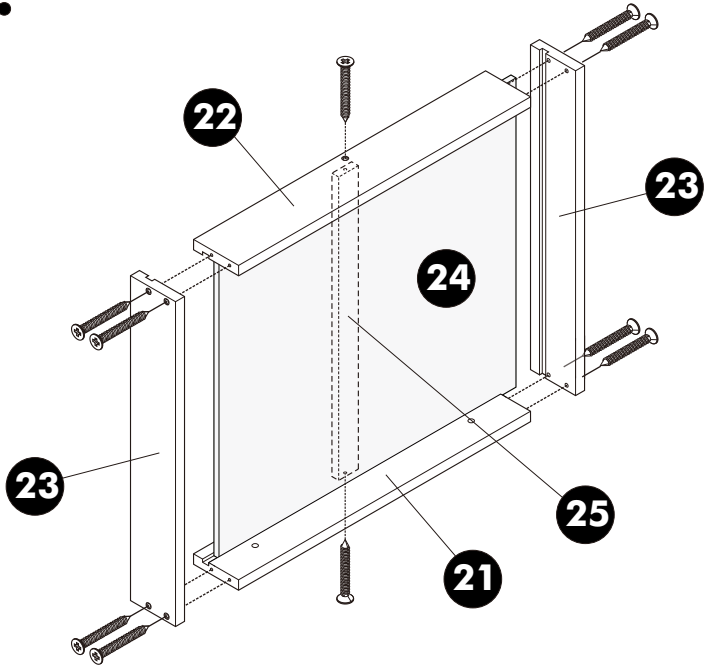
1.



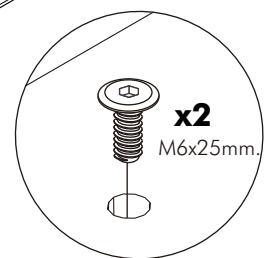
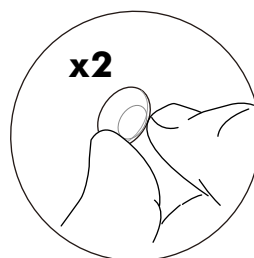
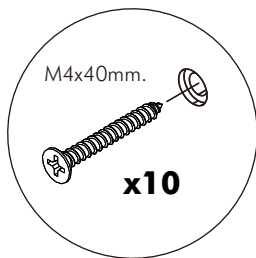
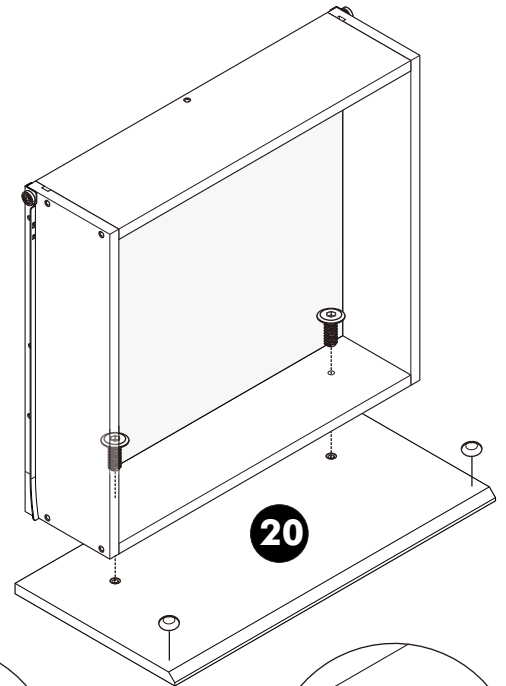
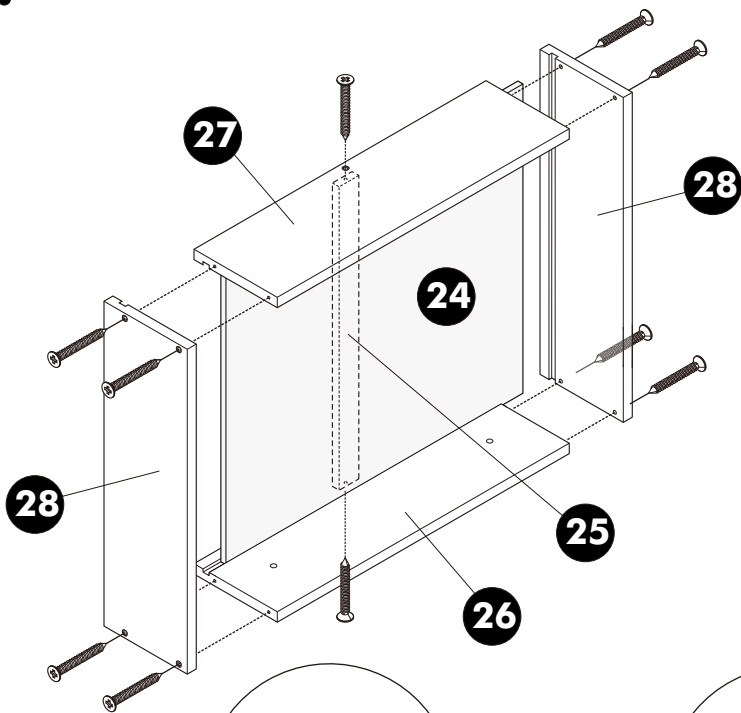
2.



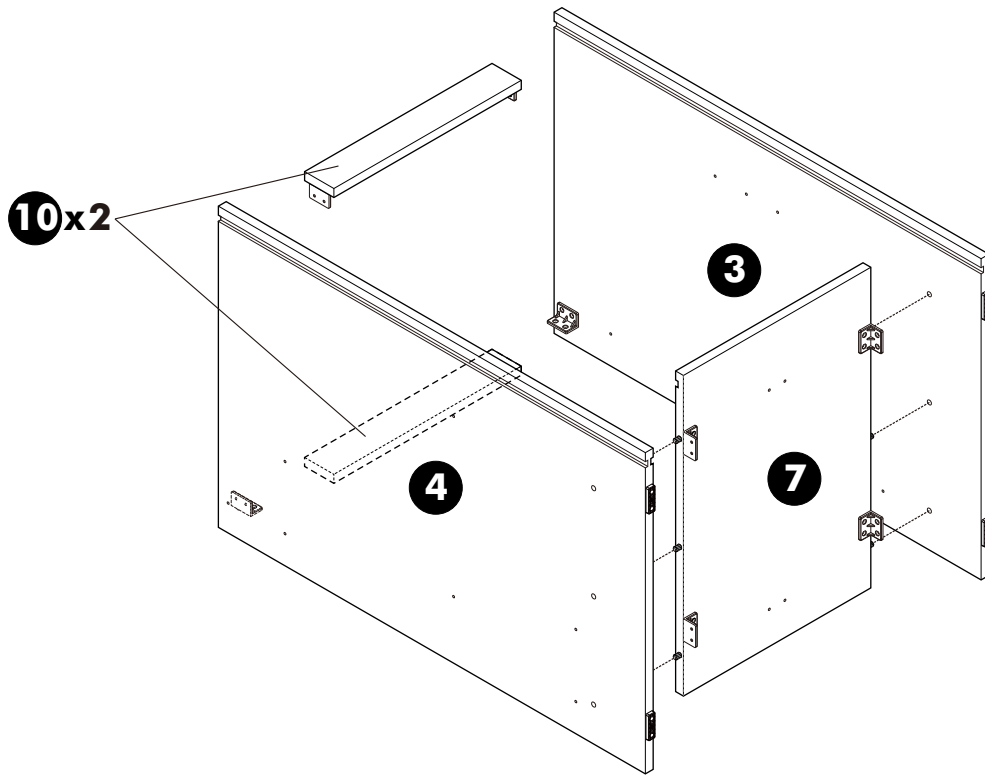
**3.**



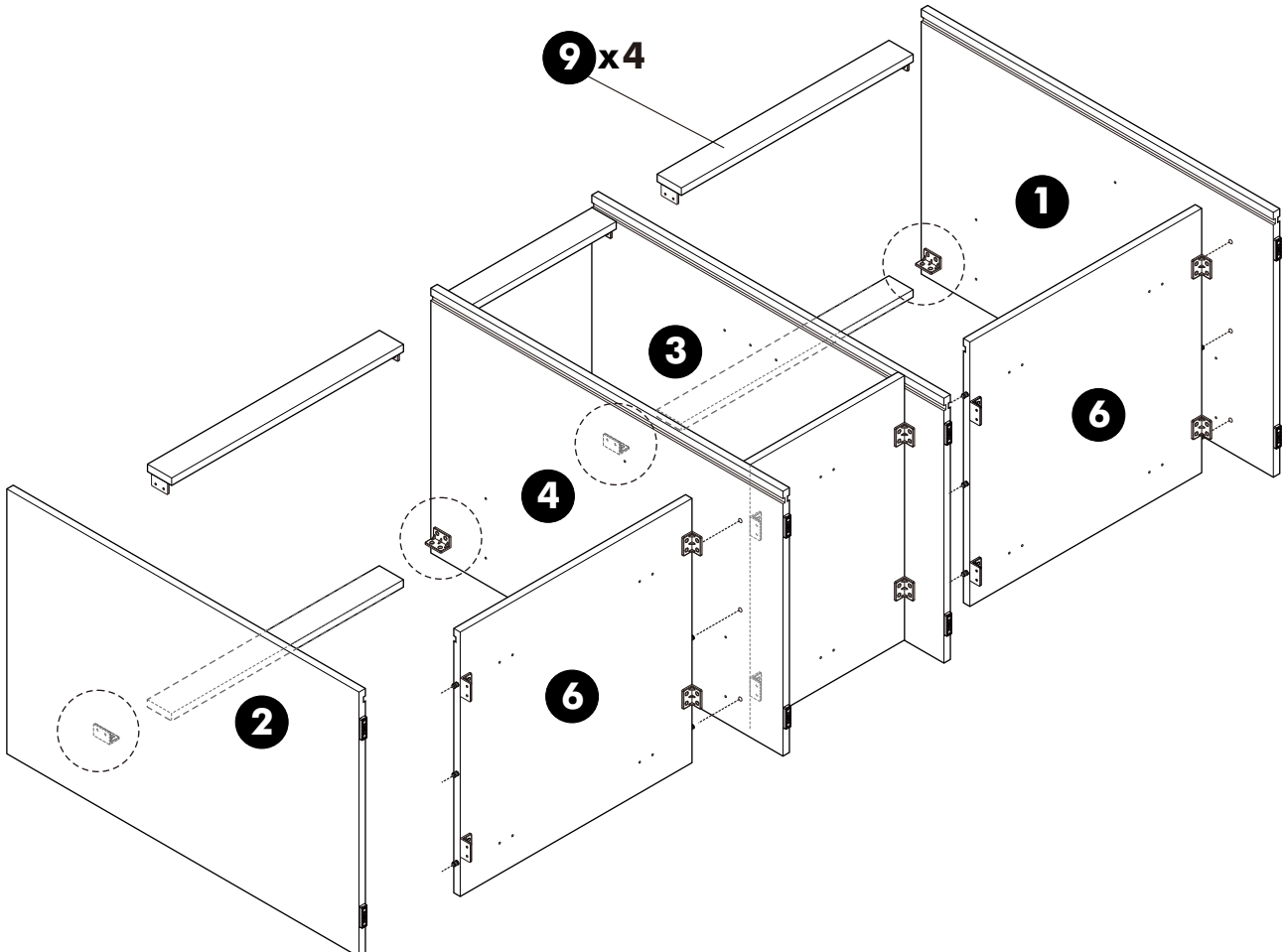
**4.**



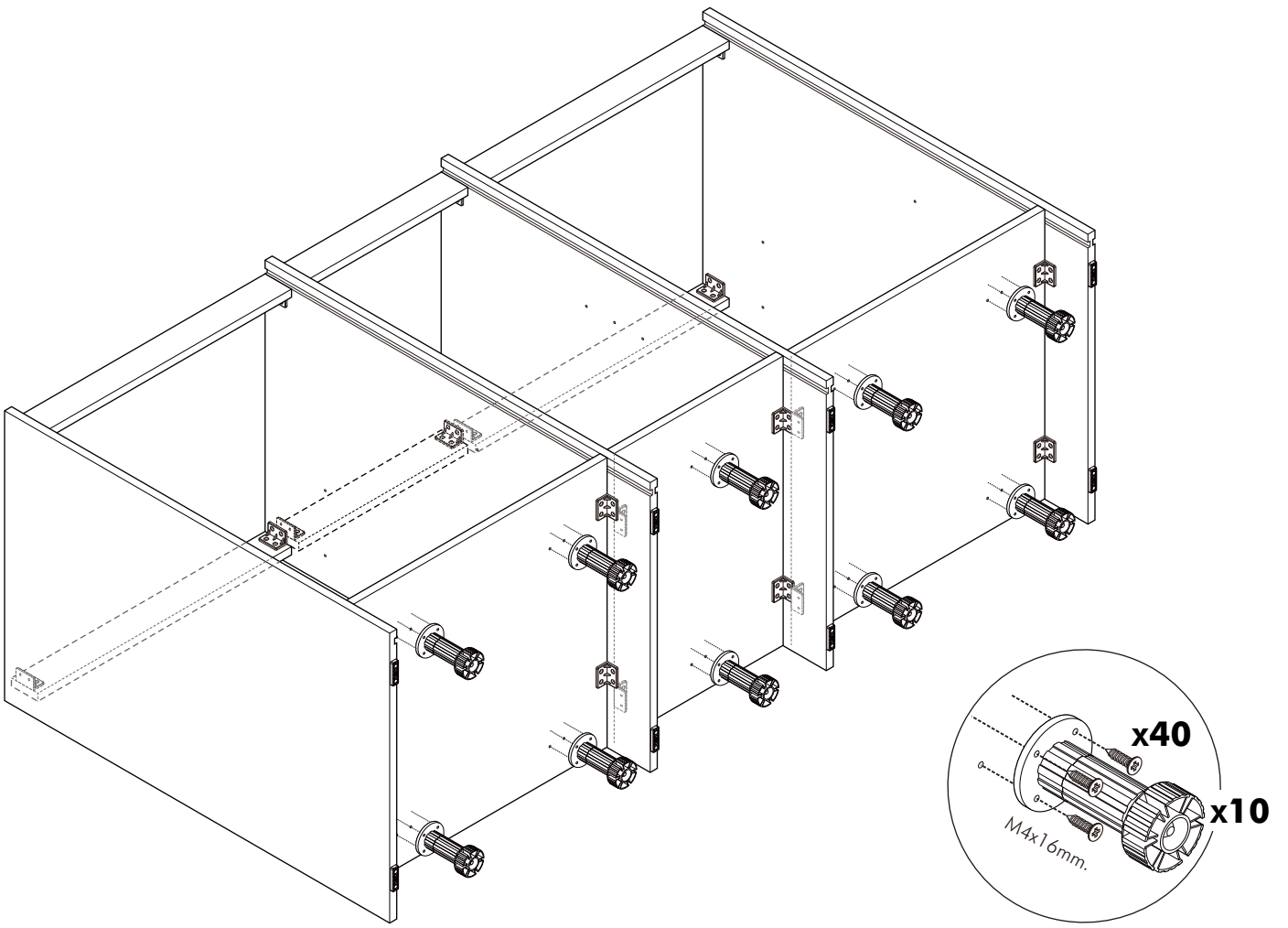
5.



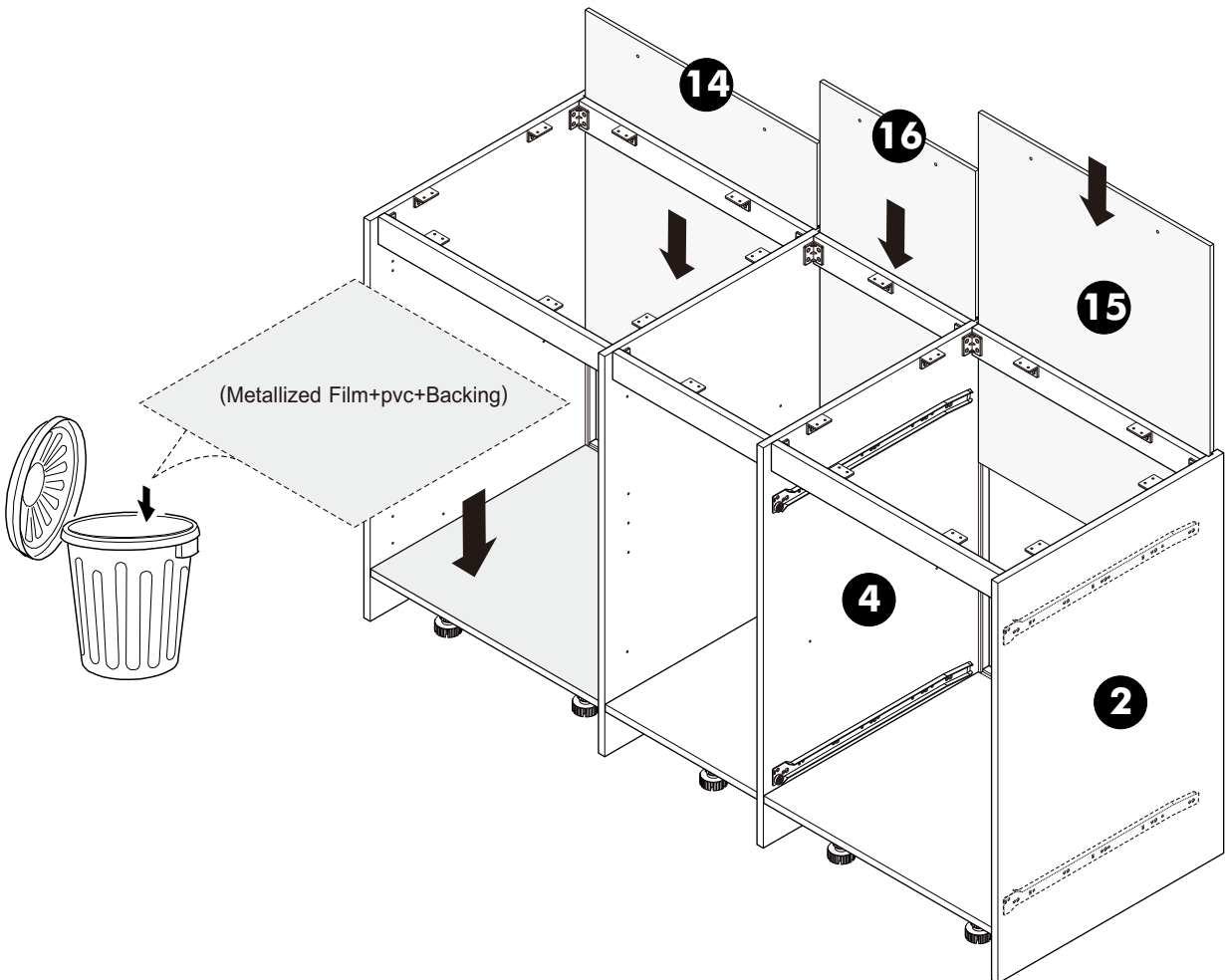
6.



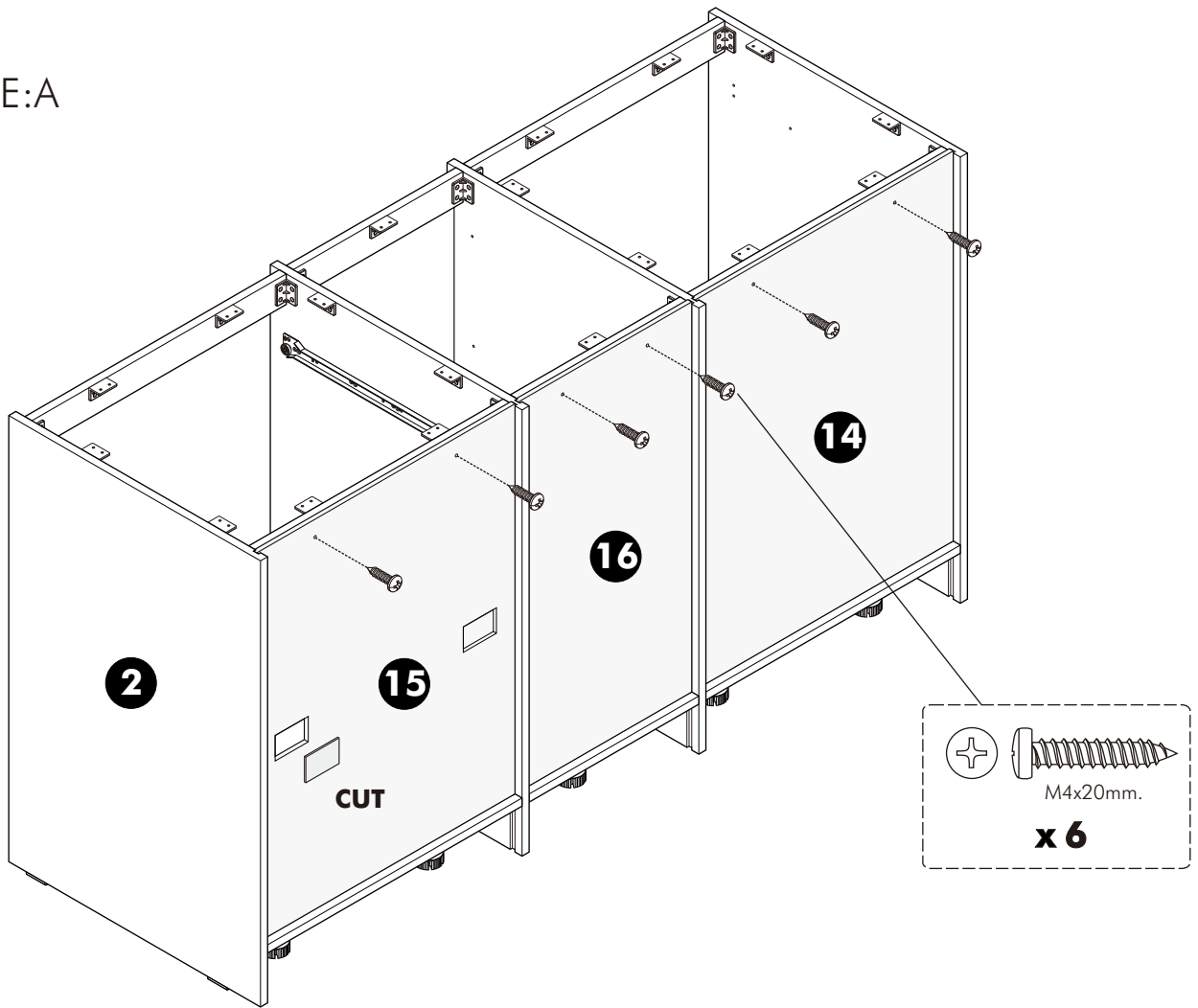
**7.**



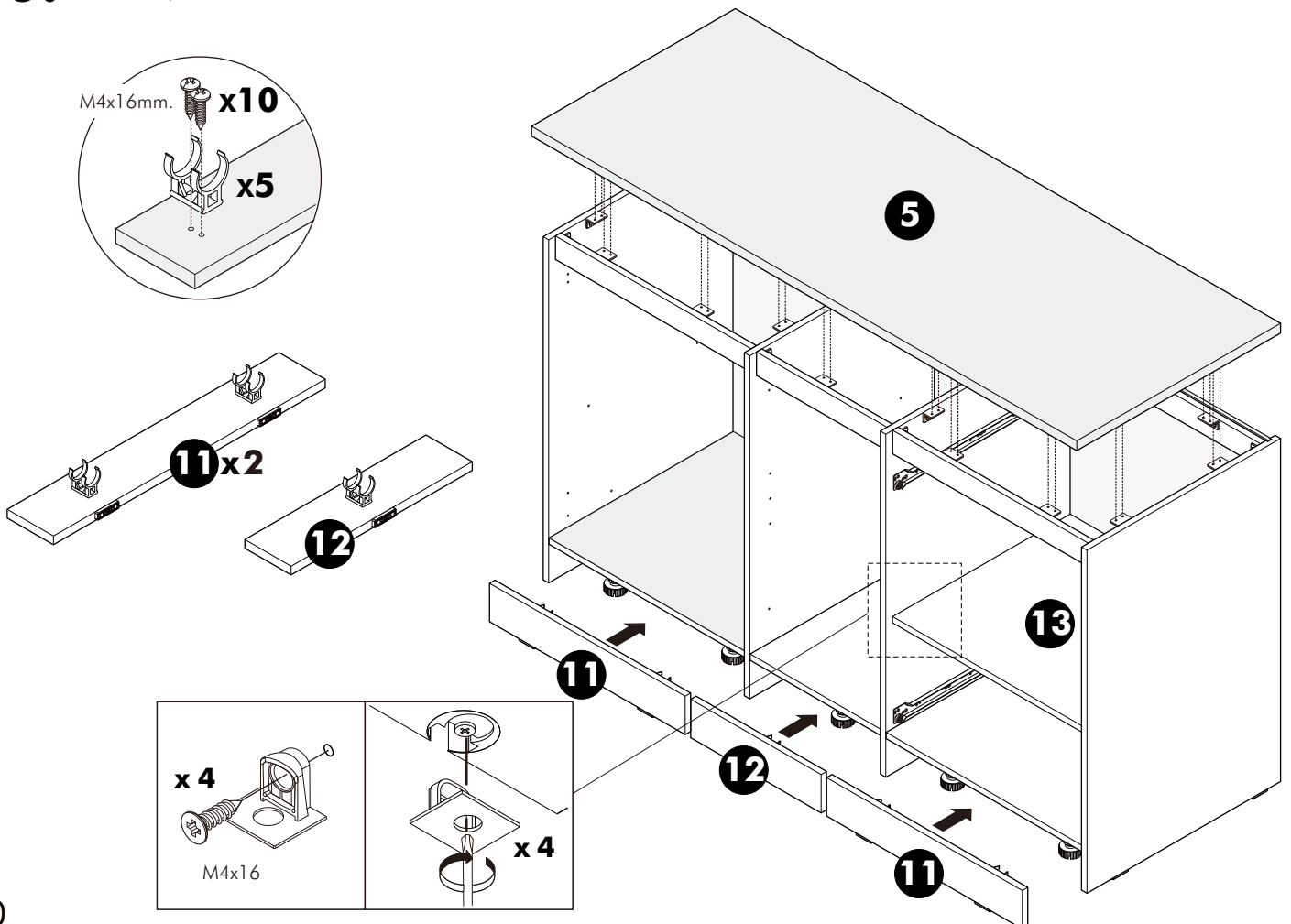
**8.** TYPE:A



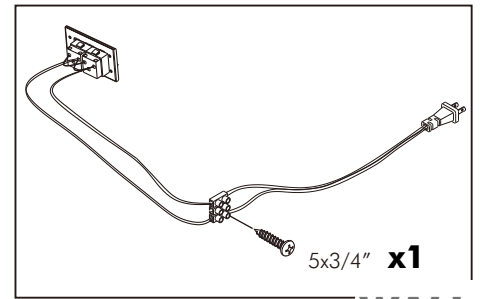
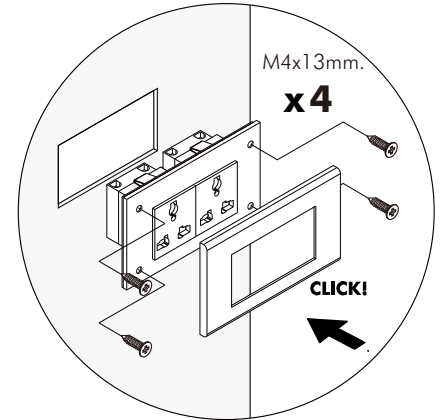
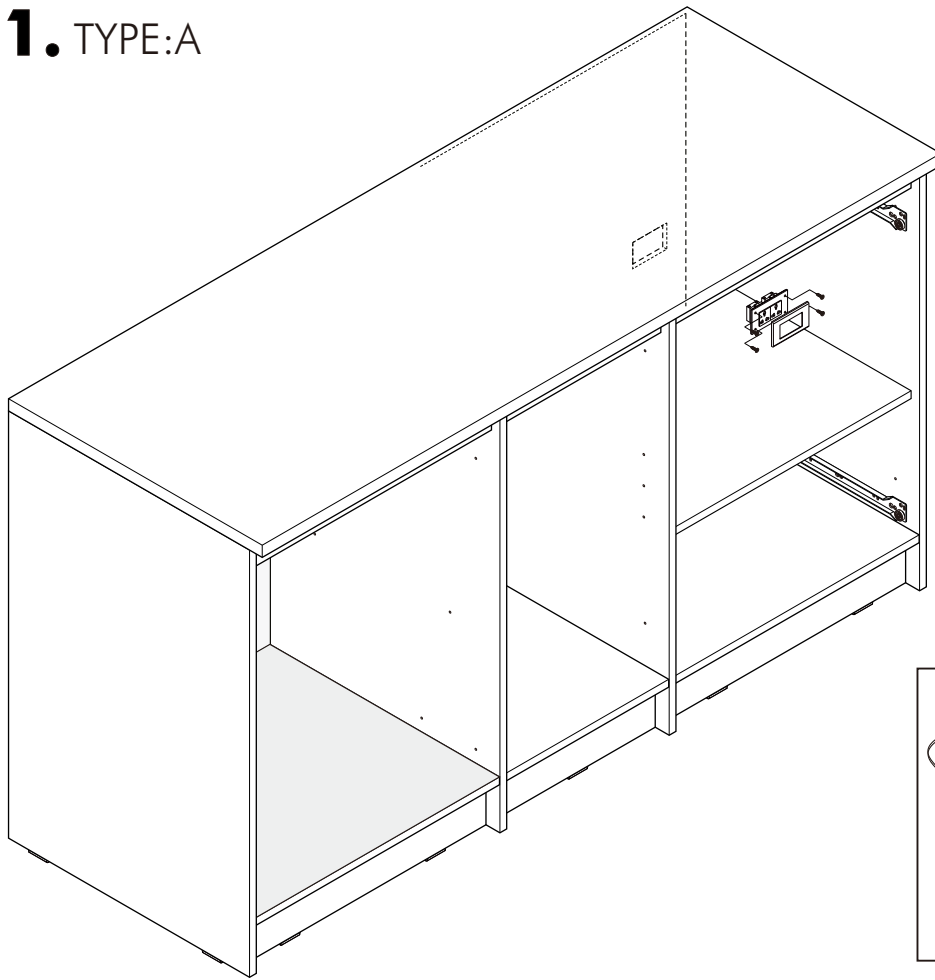
# 9. TYPE:A



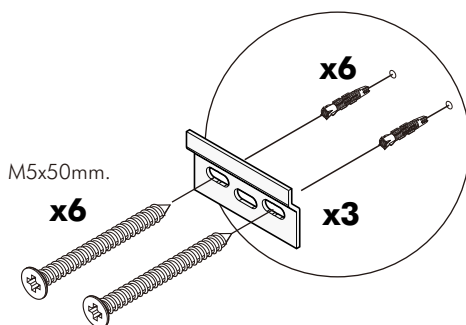
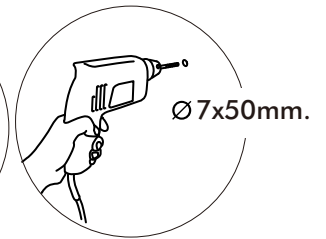
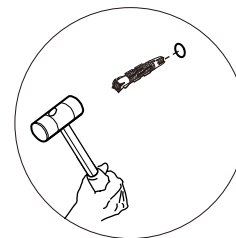
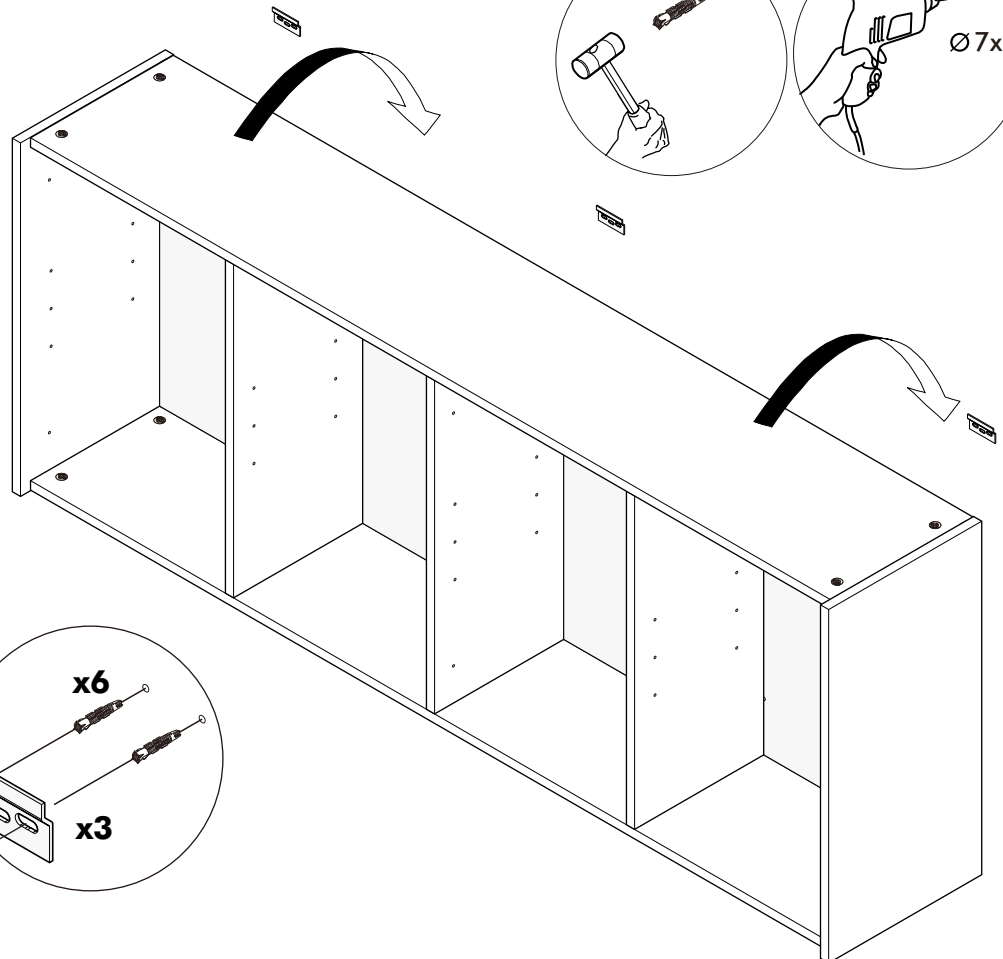
# 10. TYPE:A



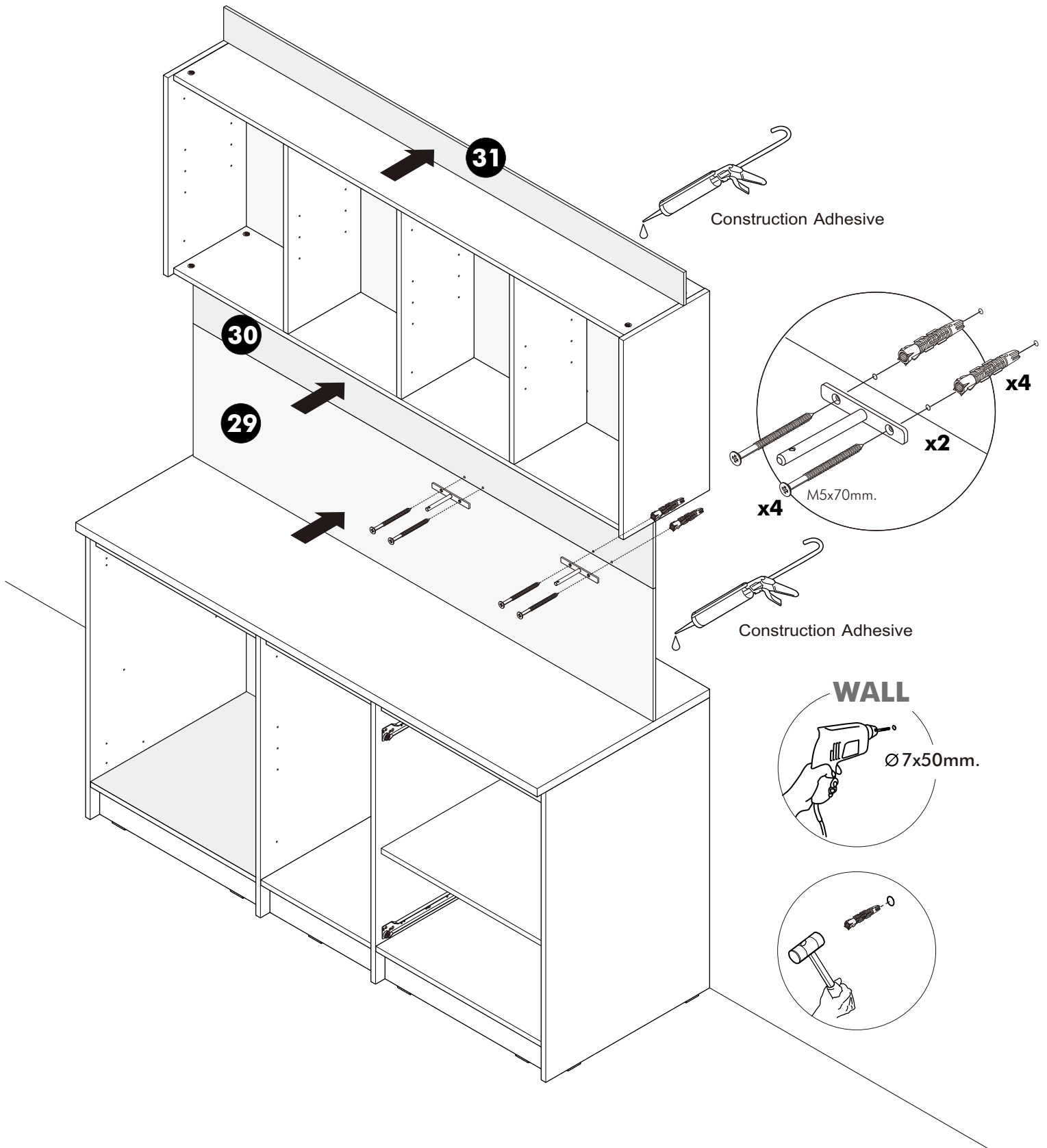
# 11. TYPE:A



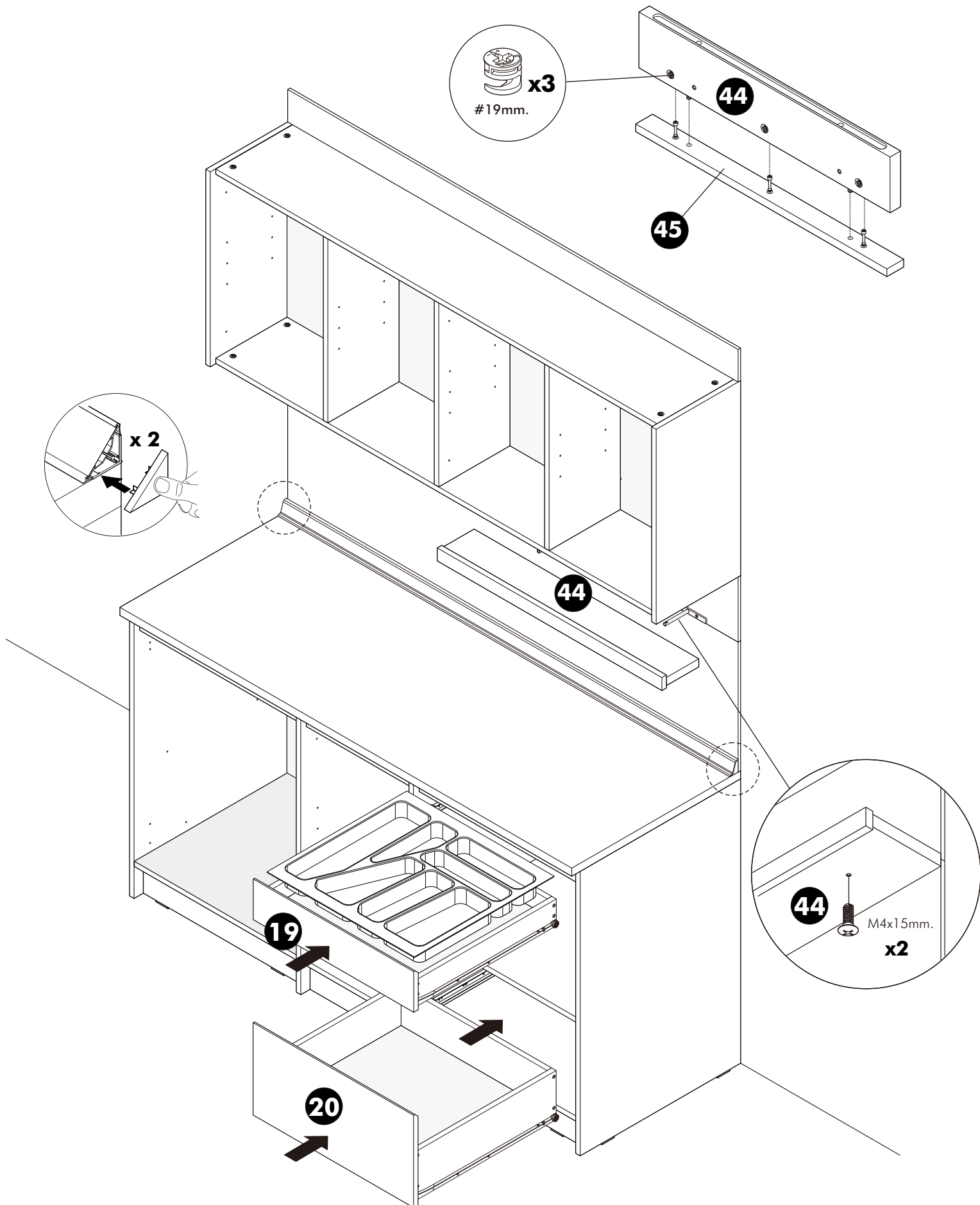
# 12. TYPE:A,B



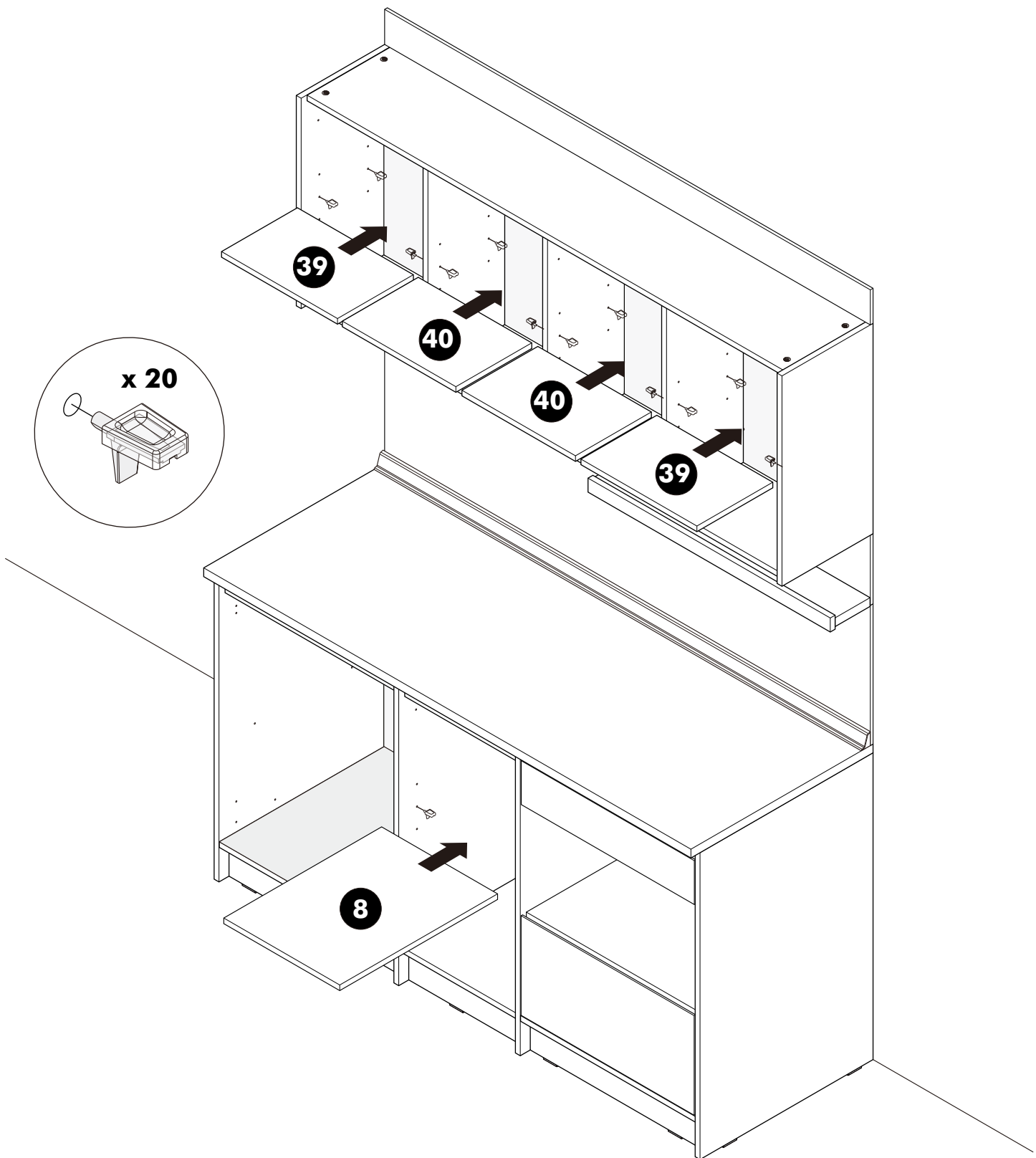
# 13. TYPE:A



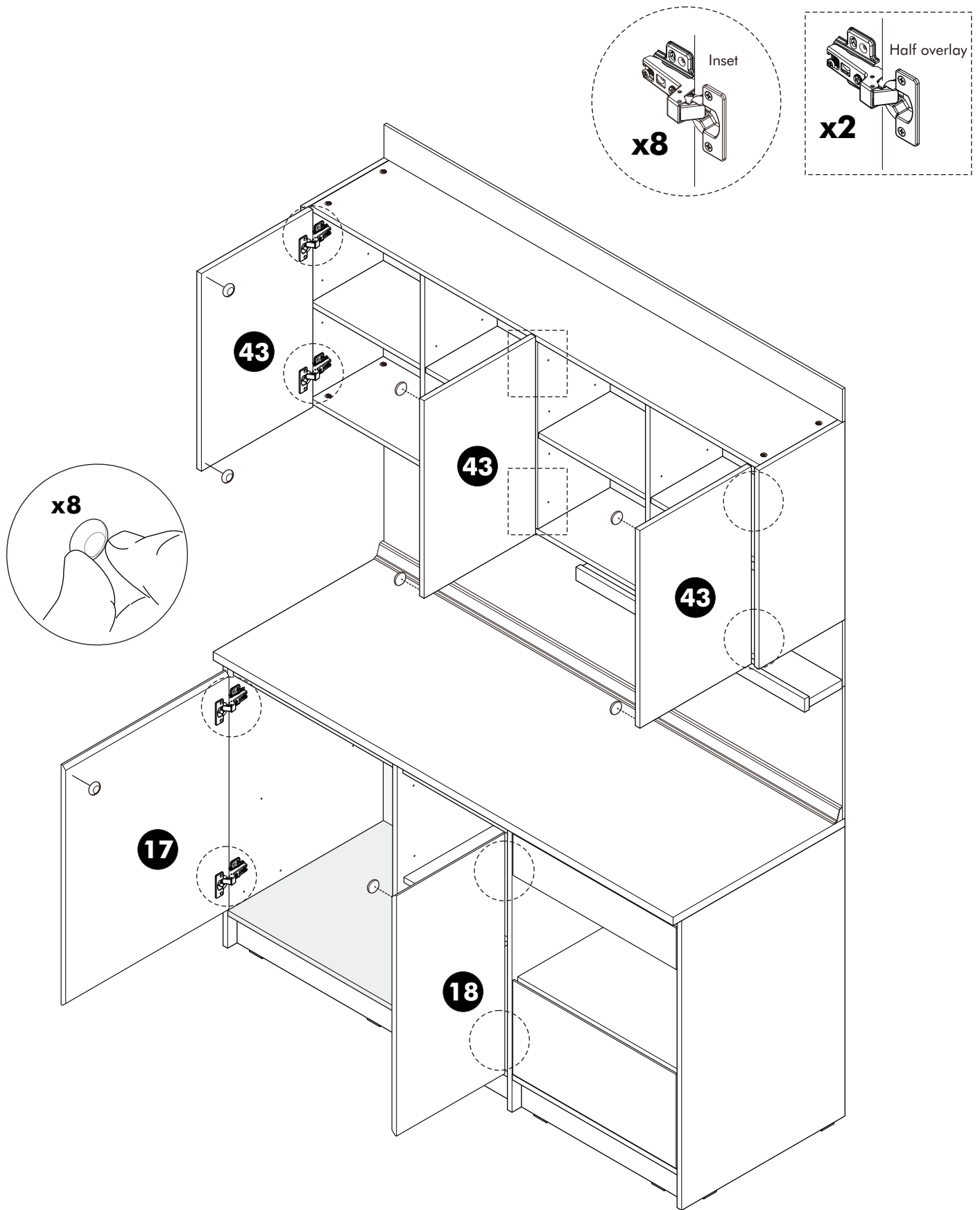
# 14. TYPE:A



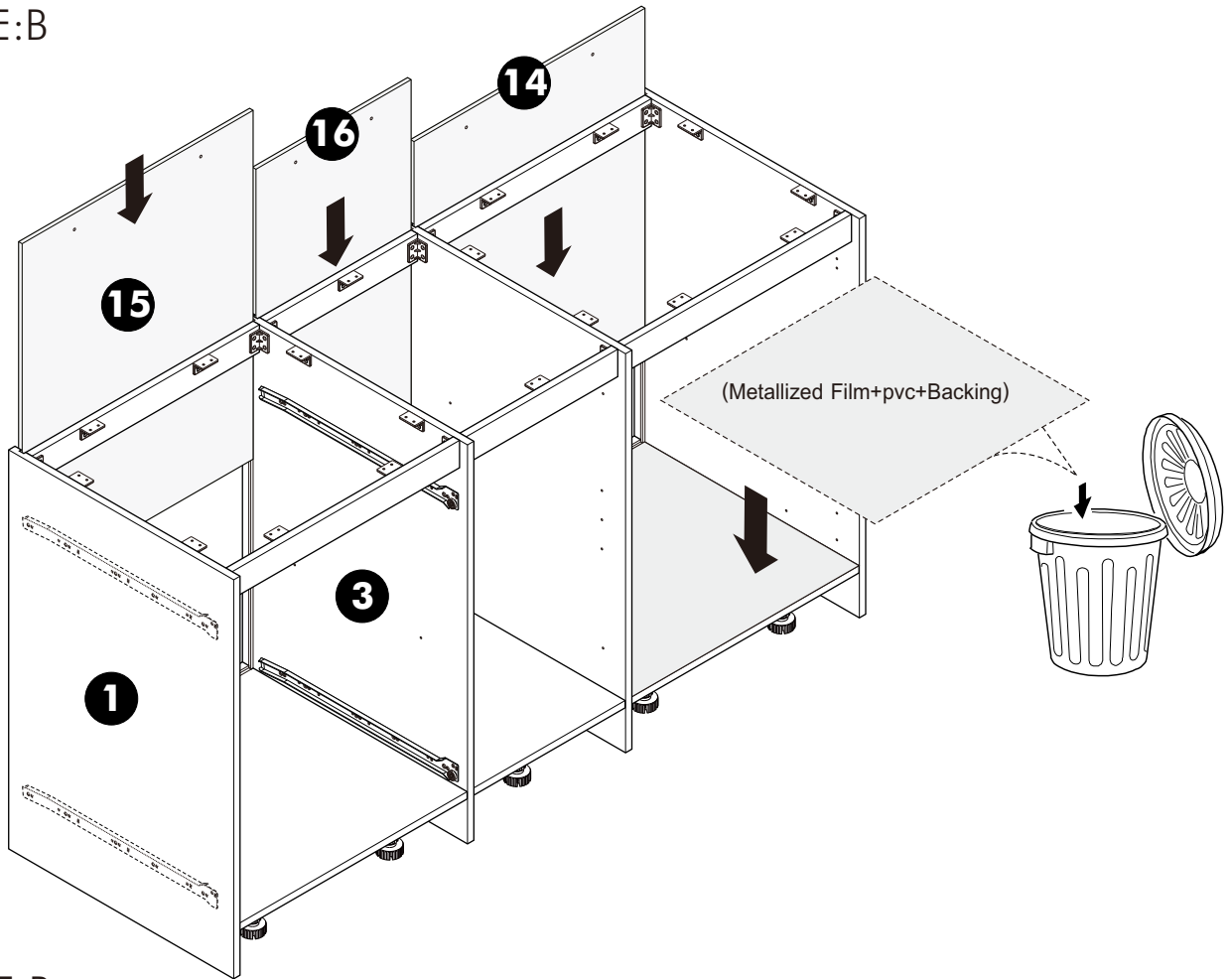
# 15. TYPE:A



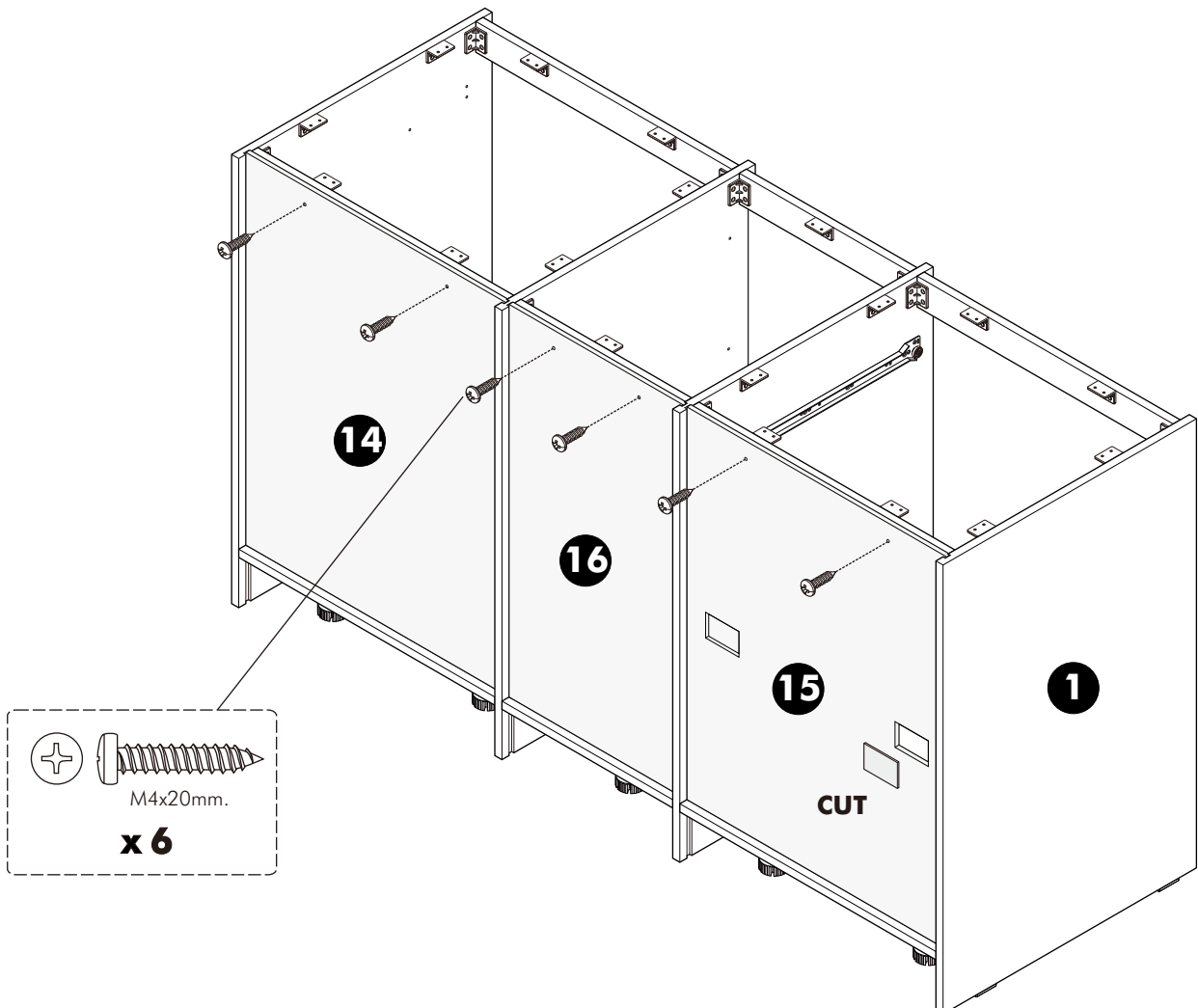
# 16. TYPE:A



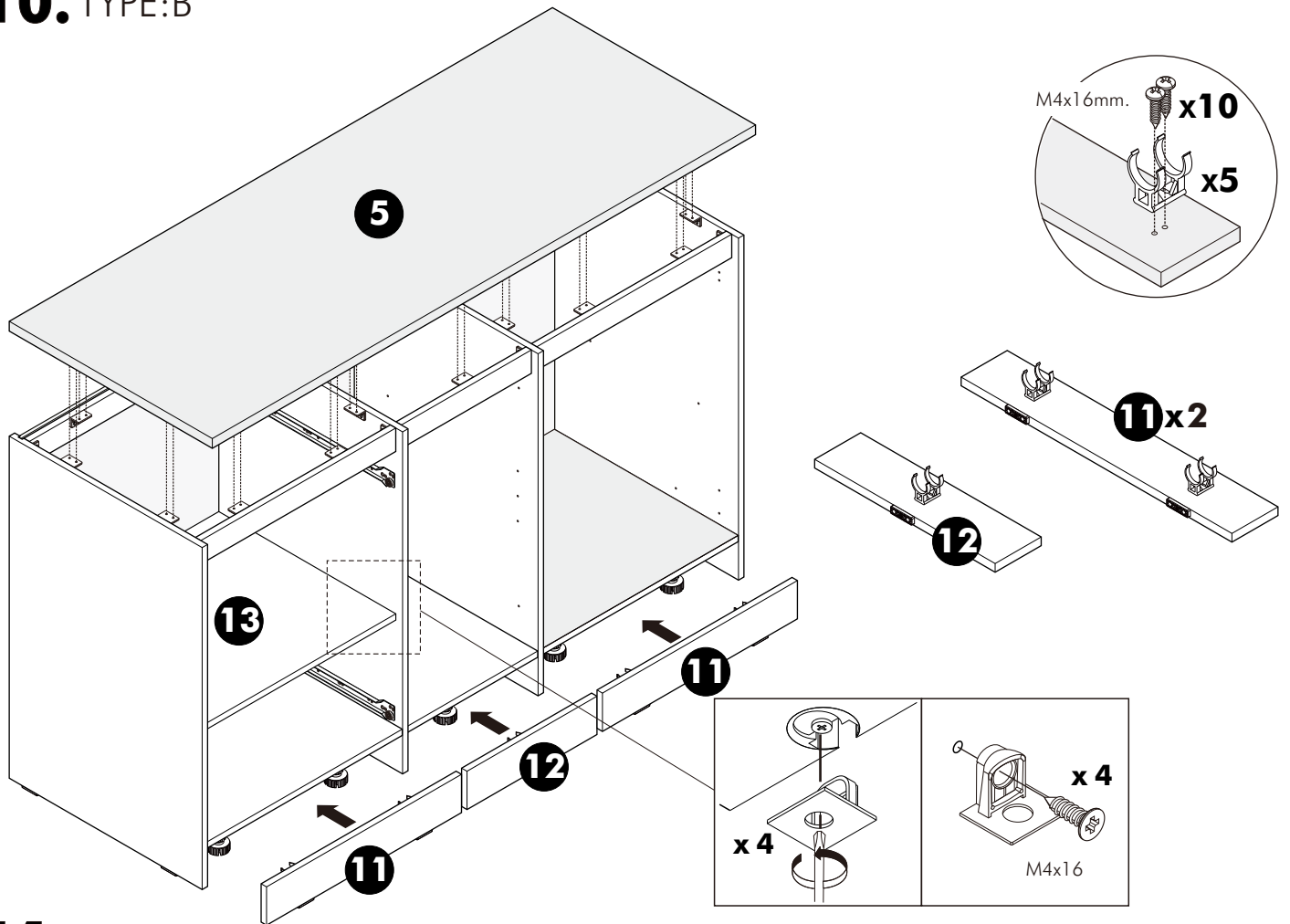
## 8. TYPE:B



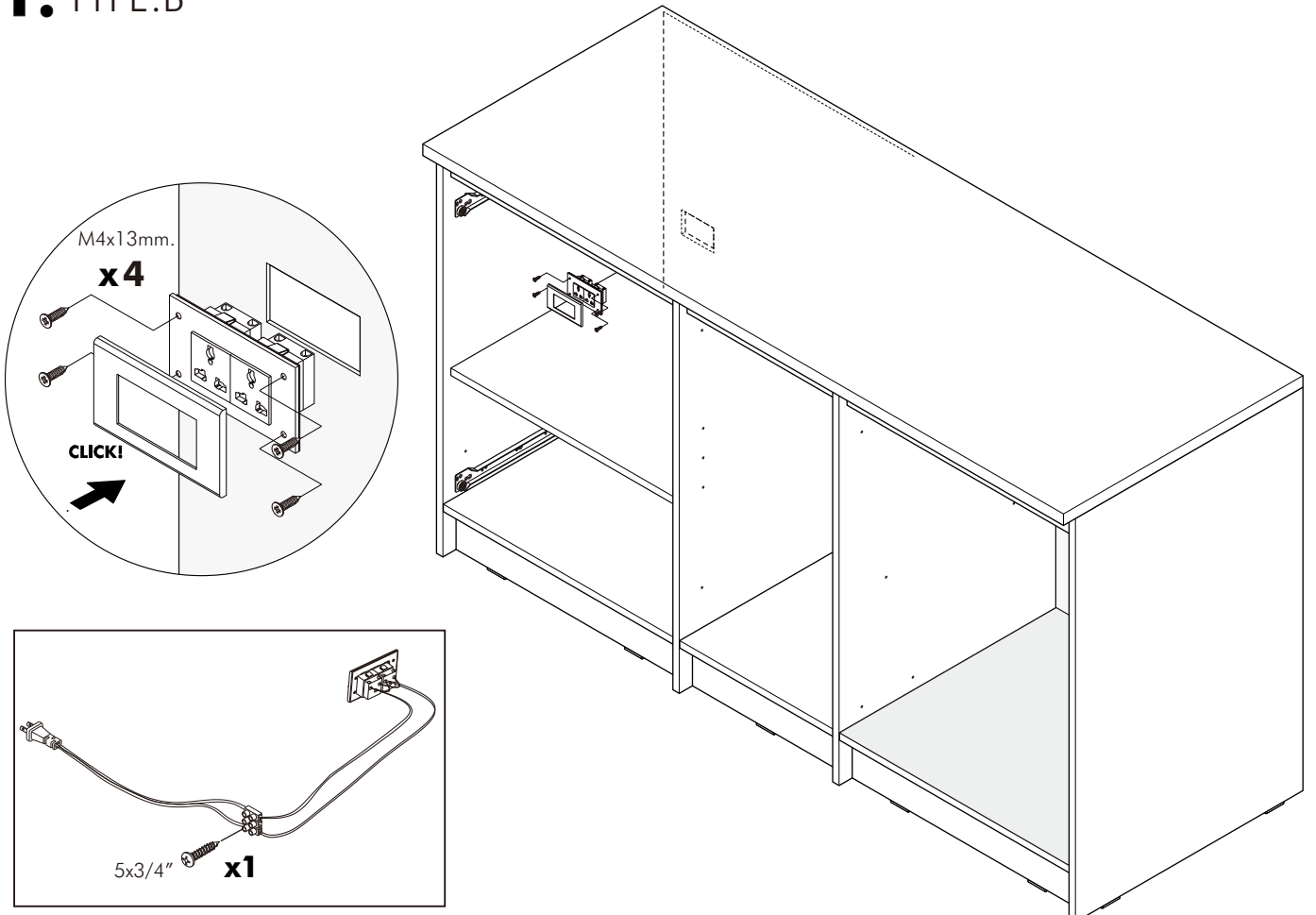
## 9. TYPE:B



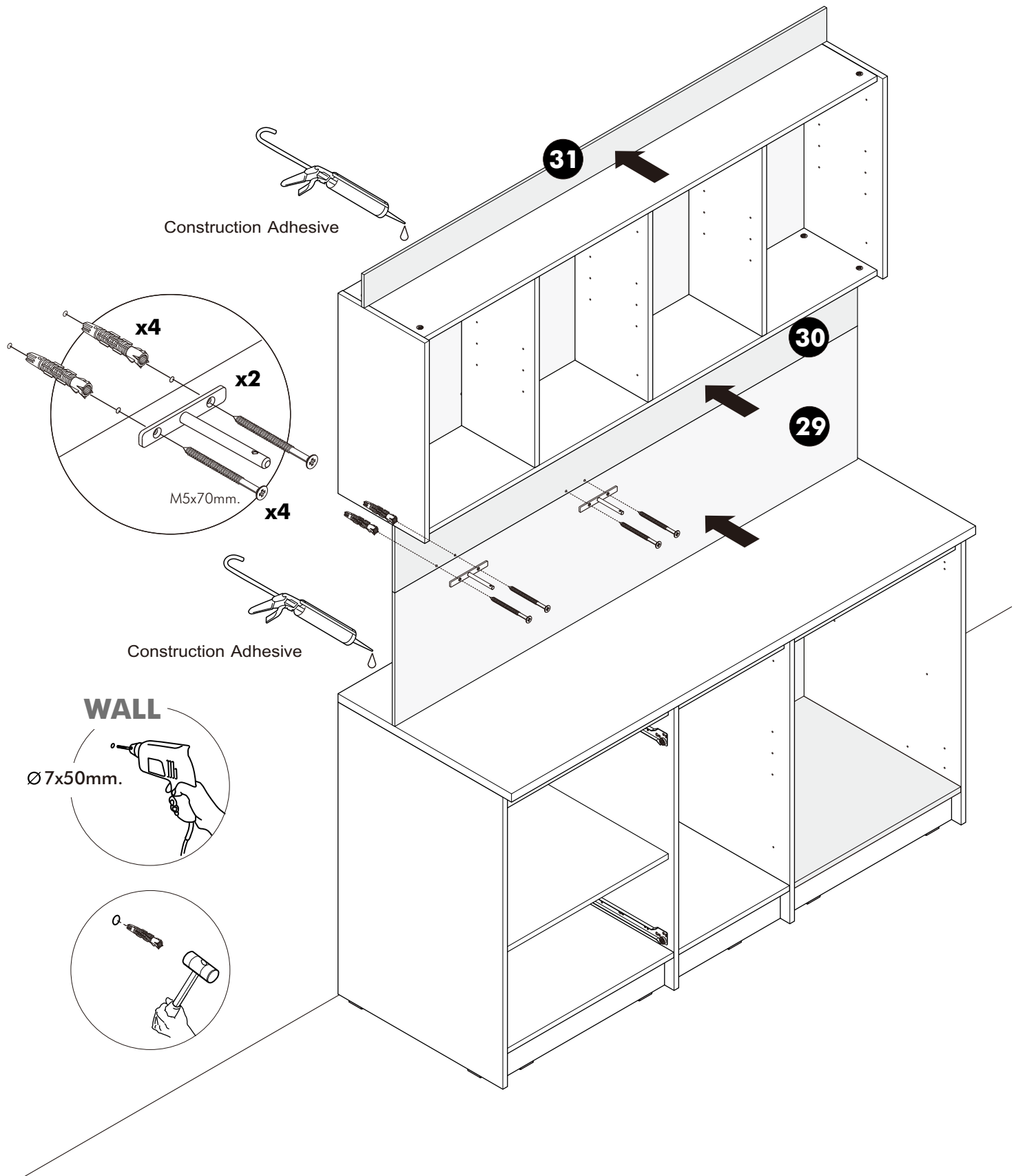
# 10. TYPE:B



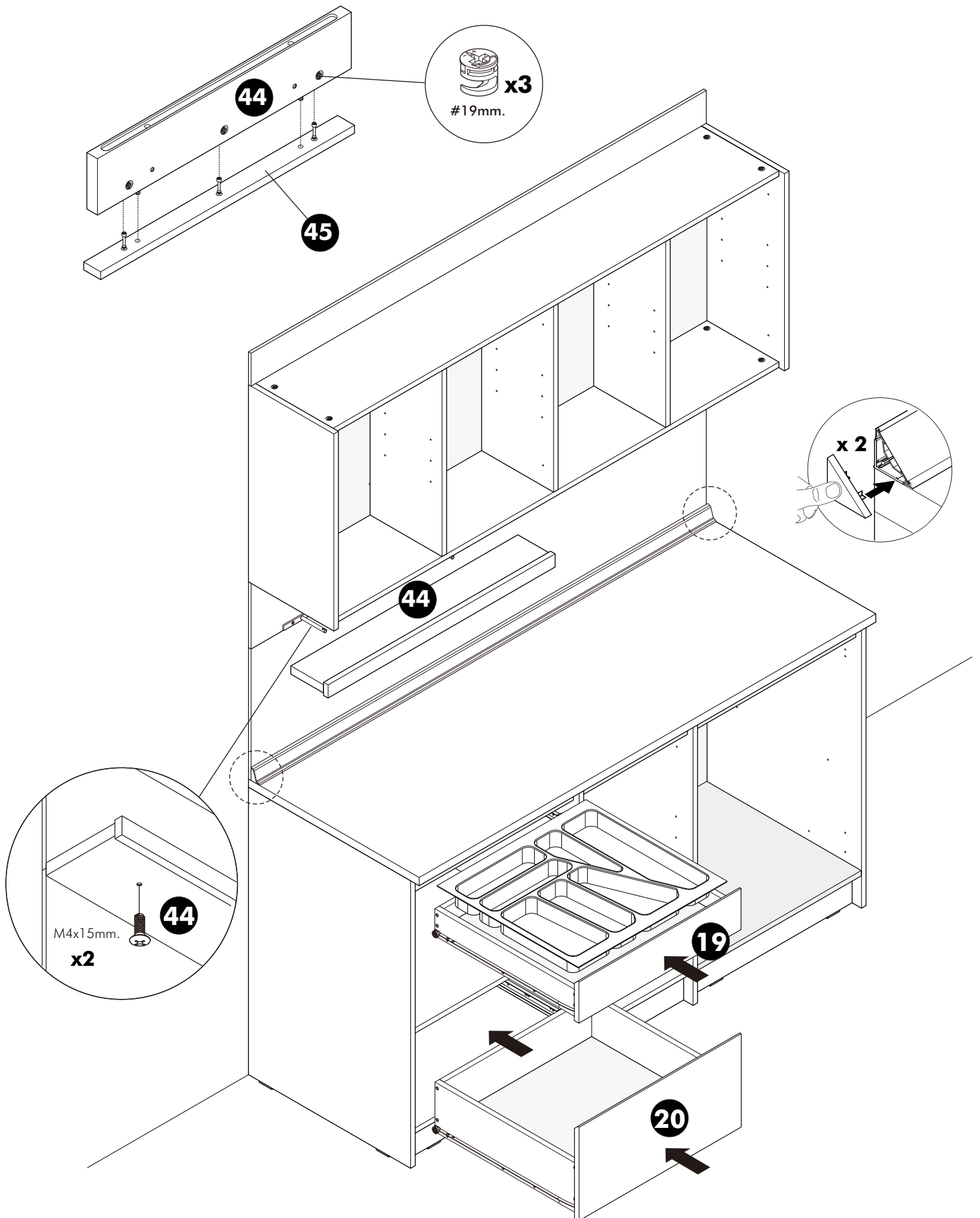
# 11. TYPE:B



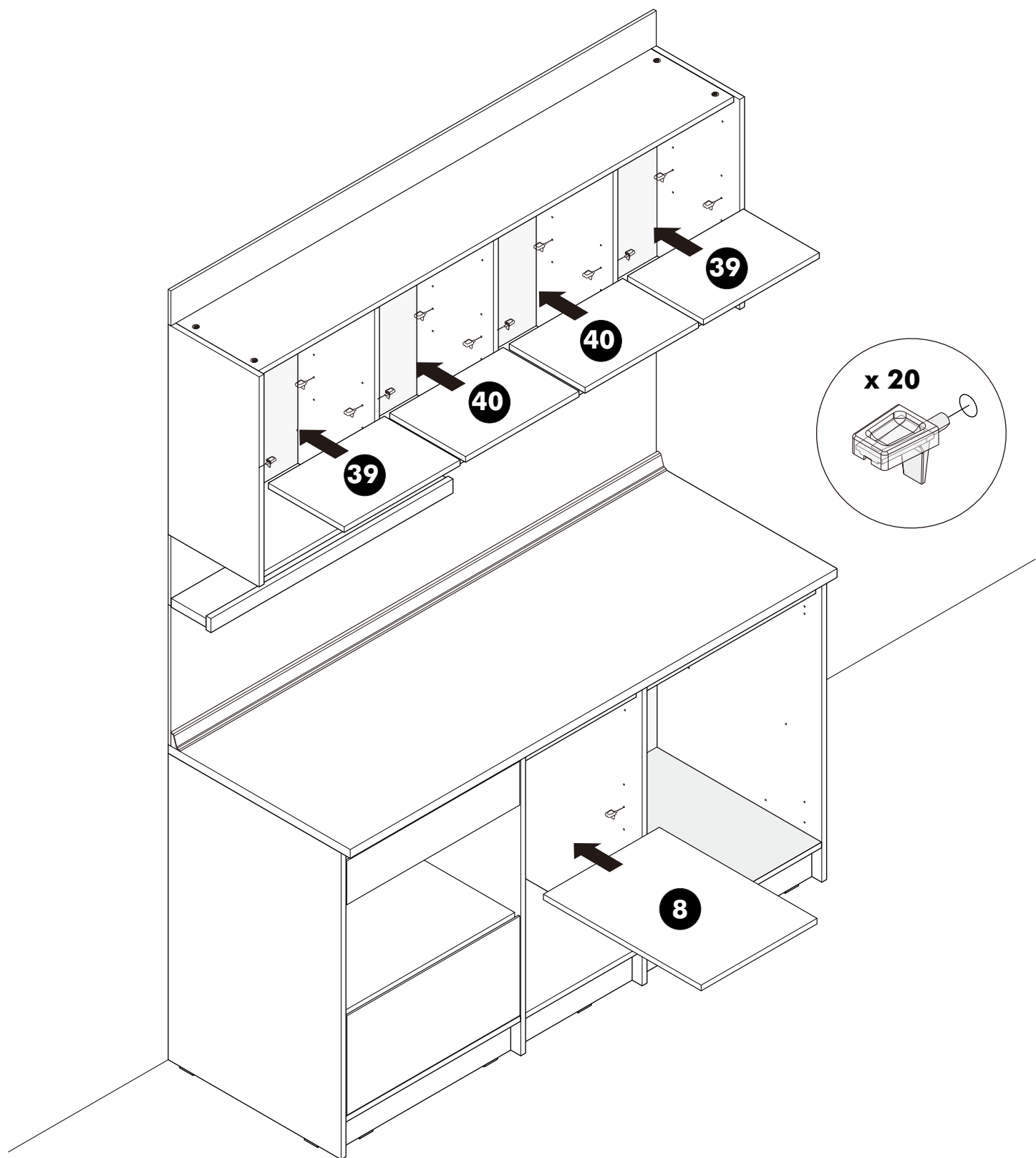
# 13. TYPE: B



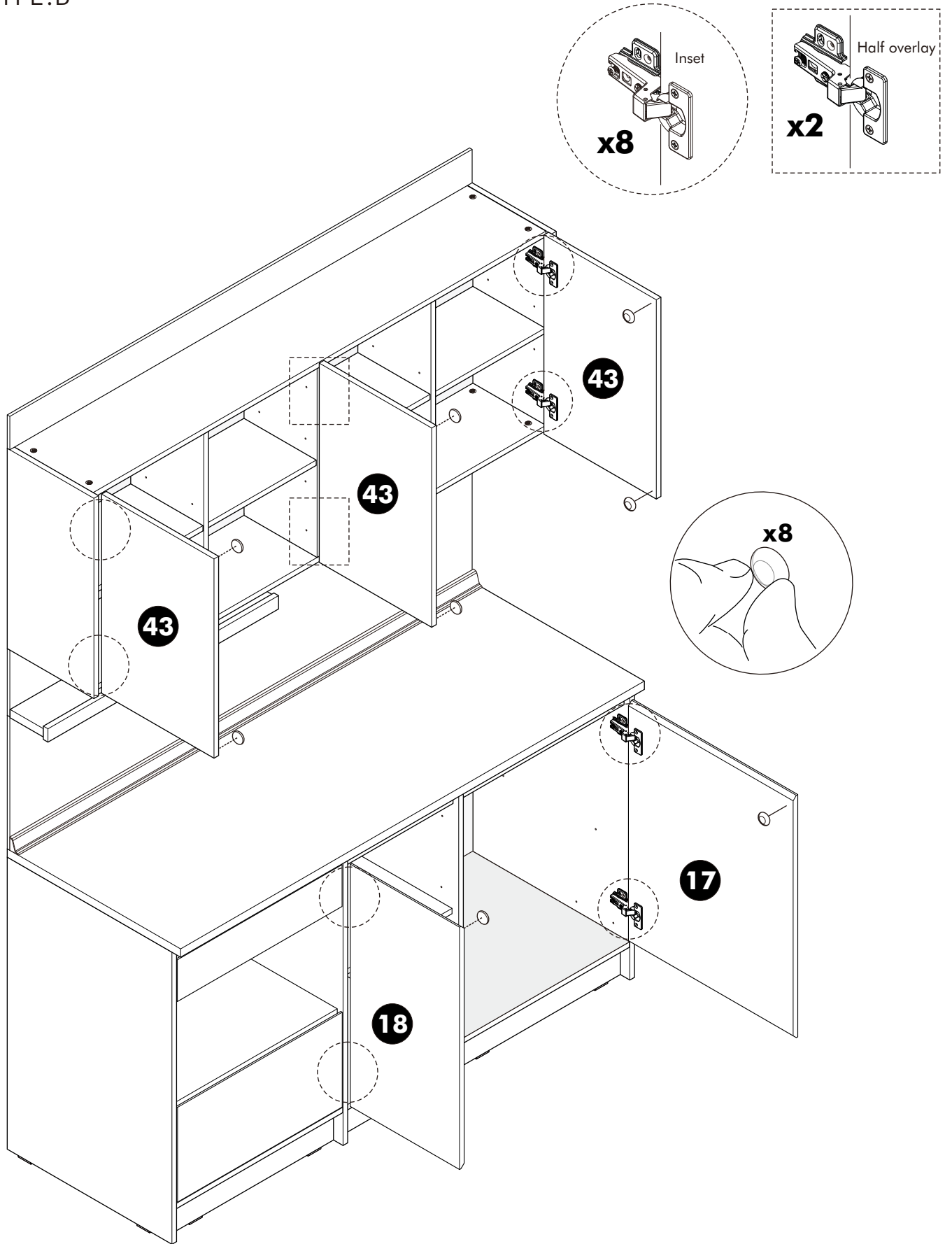
# 14. TYPE: B



# 15. TYPE:B

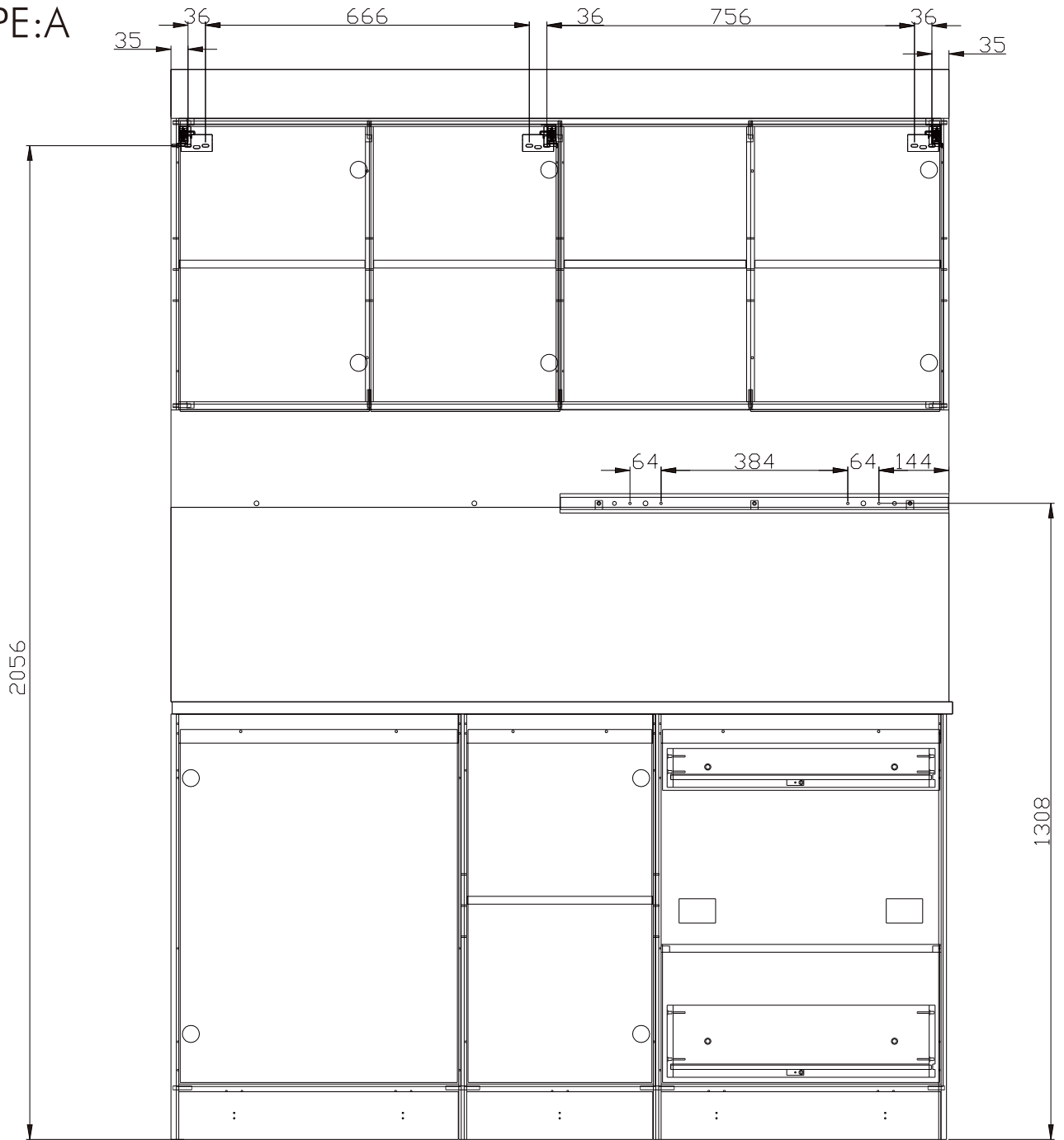


# 16. TYPE:B





TYPE:A





TYPE: B

