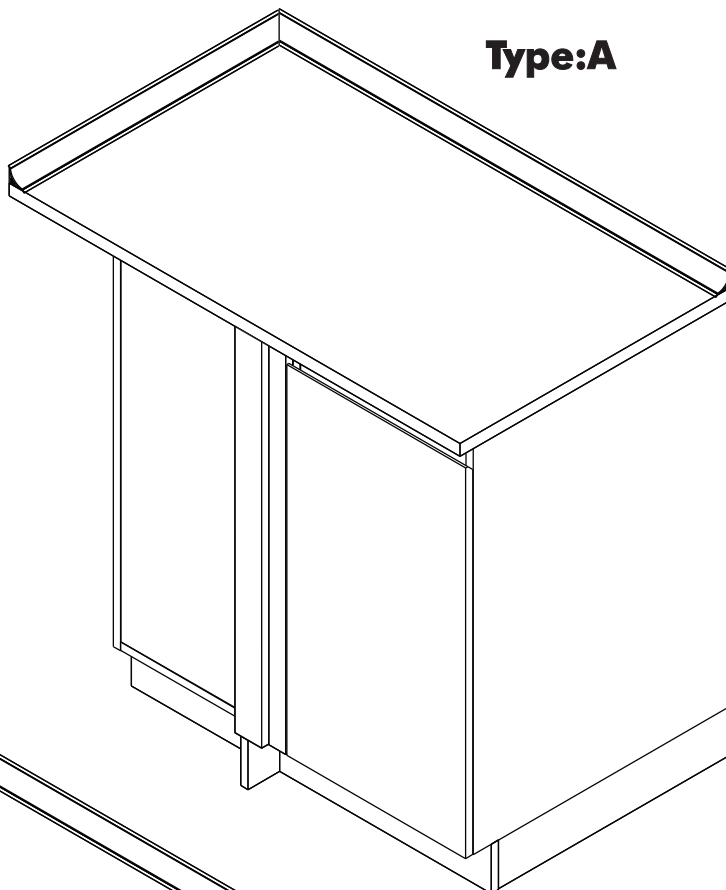


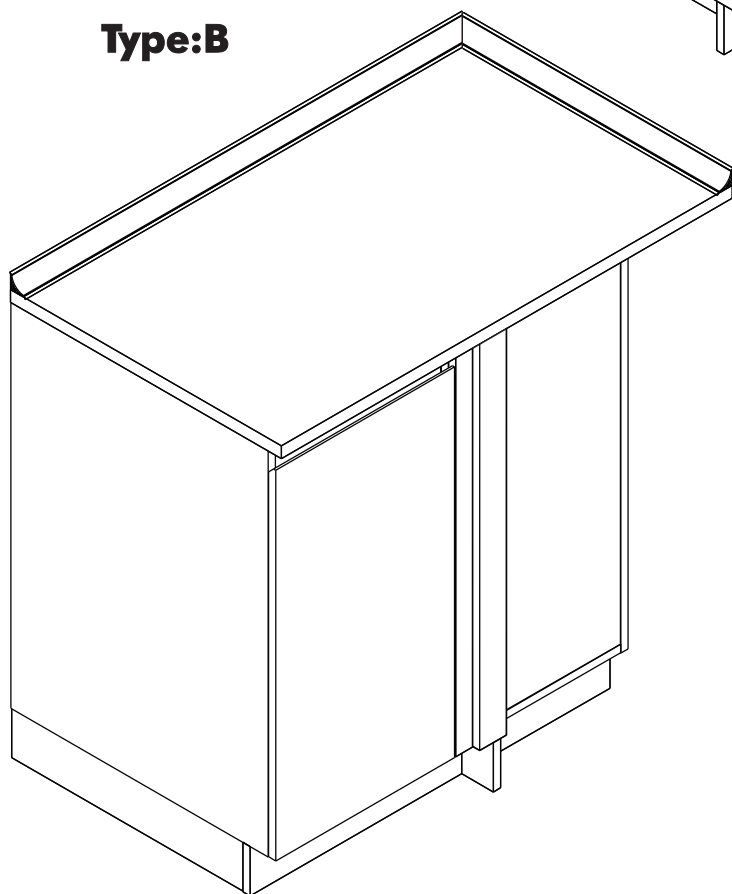
# TERTRIZ

Corner basecab 100 cm.

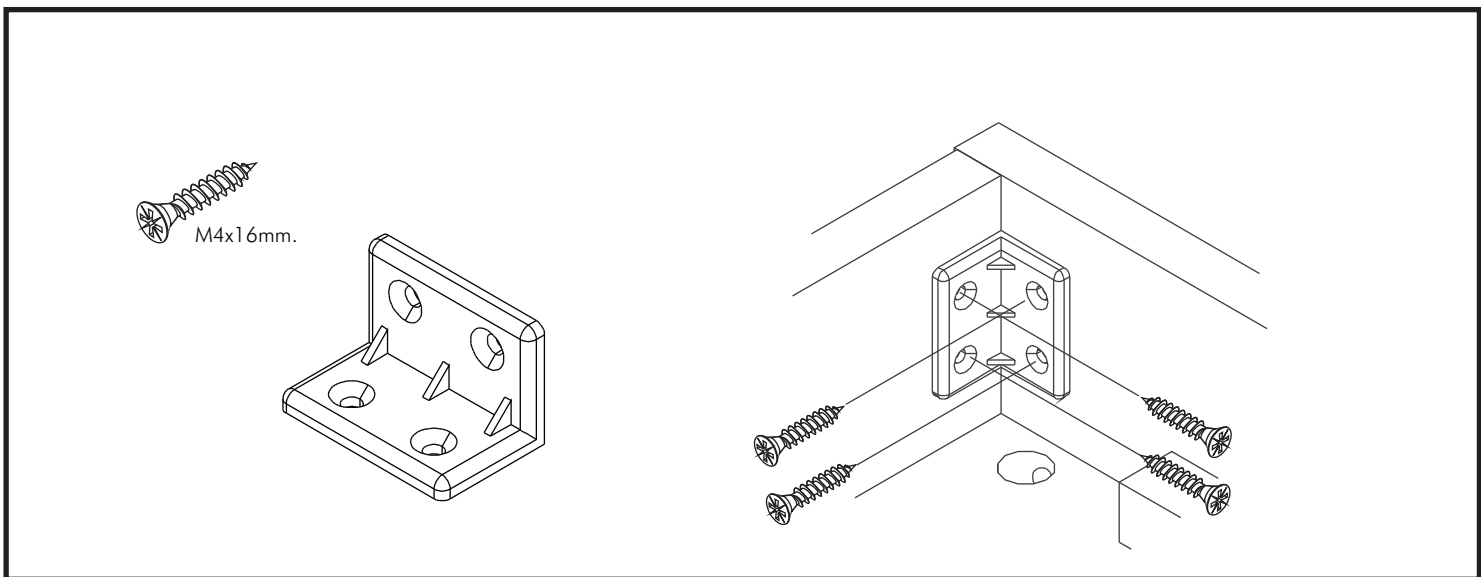
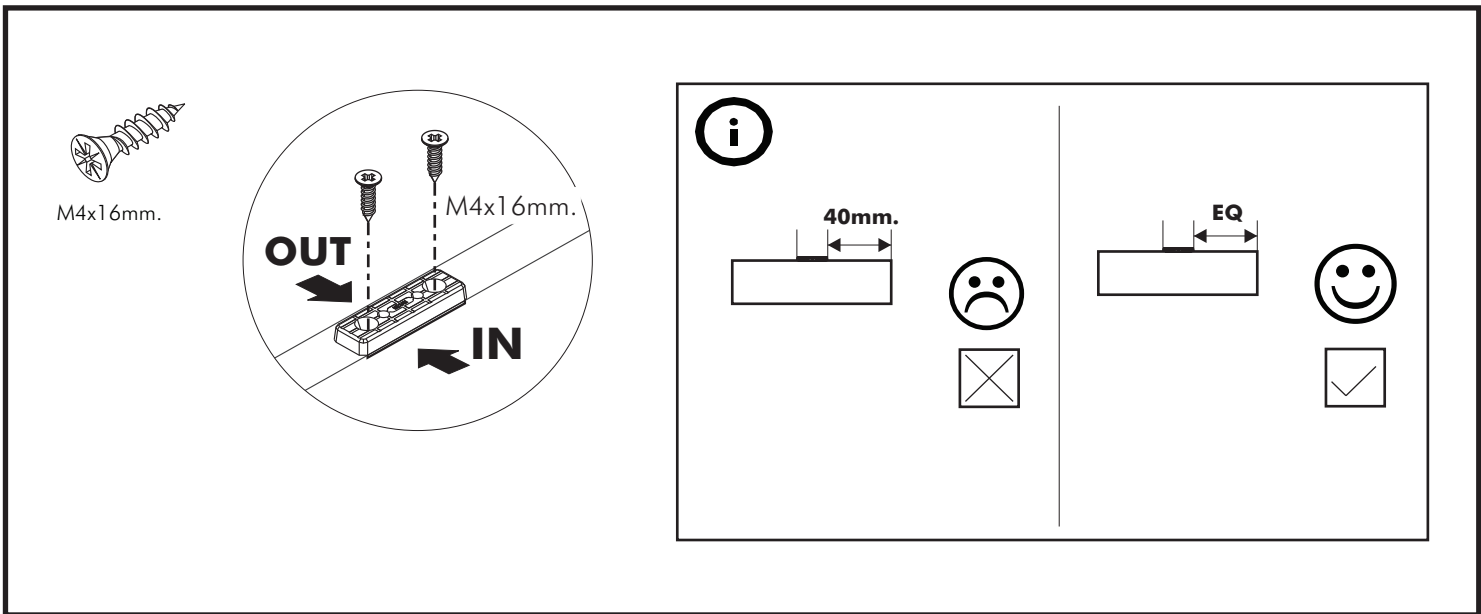
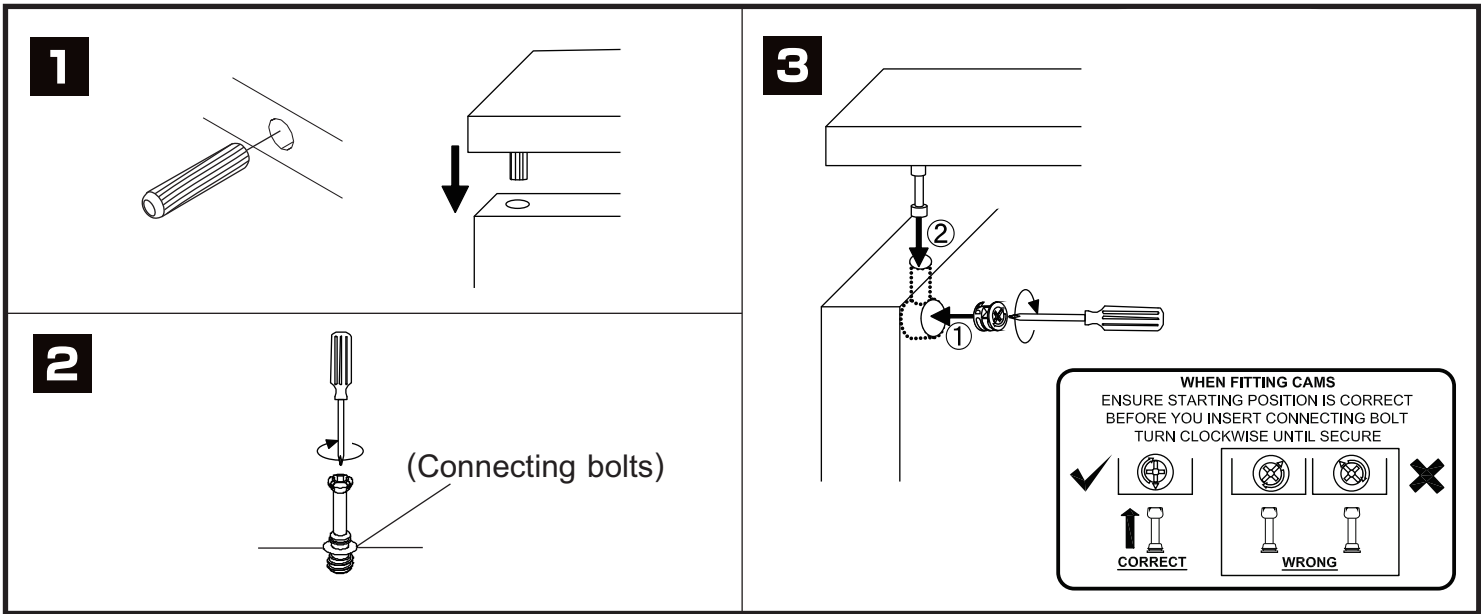
Type:A



Type:B

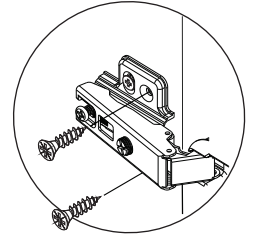
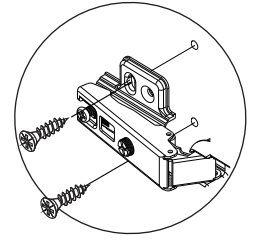
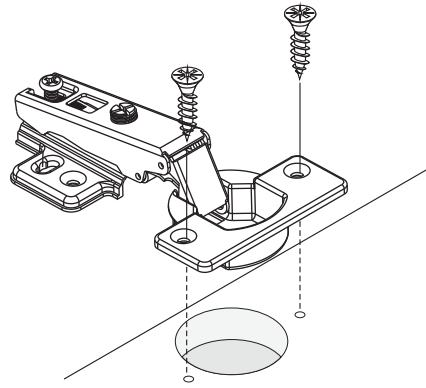
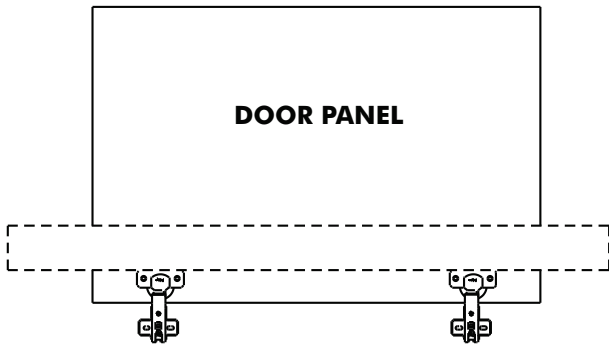


# CONNECT SYSTEM



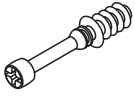


M4x16mm.



# HARDWARE

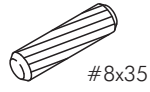
## -BODY SET



**x 4**



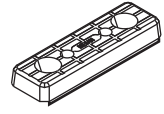
**x 4**



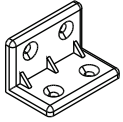
**x 6**



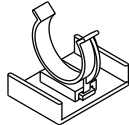
**x 4**



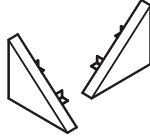
**x 7**



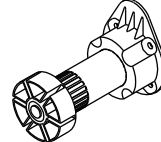
**x 17**



**x 7**



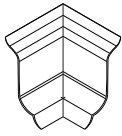
**x 2**



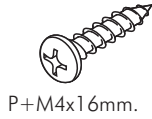
**x 6**



**x106**



**x 1**



**x 14**



**x 7**



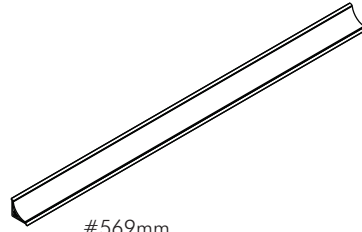
**M4x25mm.**



**x 4**

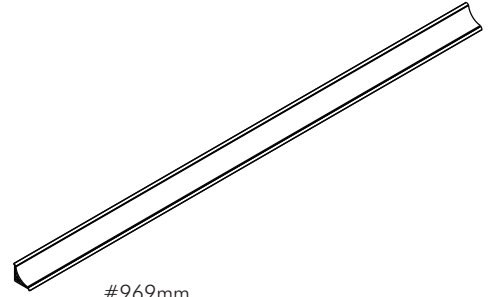


**M4x50mm.**



**x1**

**#569mm.**

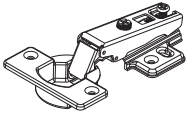


**x1**

**#969mm.**

# HARDWARE

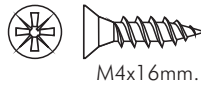
## -DOOR SET



**x 2**



**x 2**



**x12**

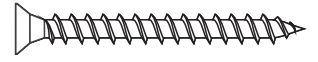
**M4x16mm.**

# ASSEMBLY

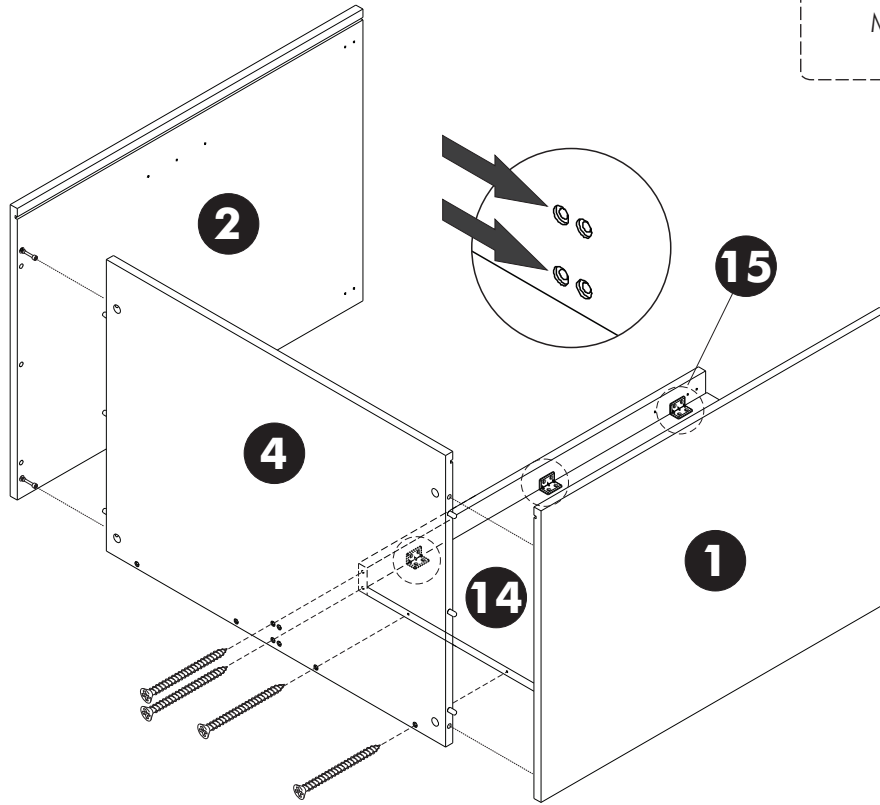
-BODY SET

1.

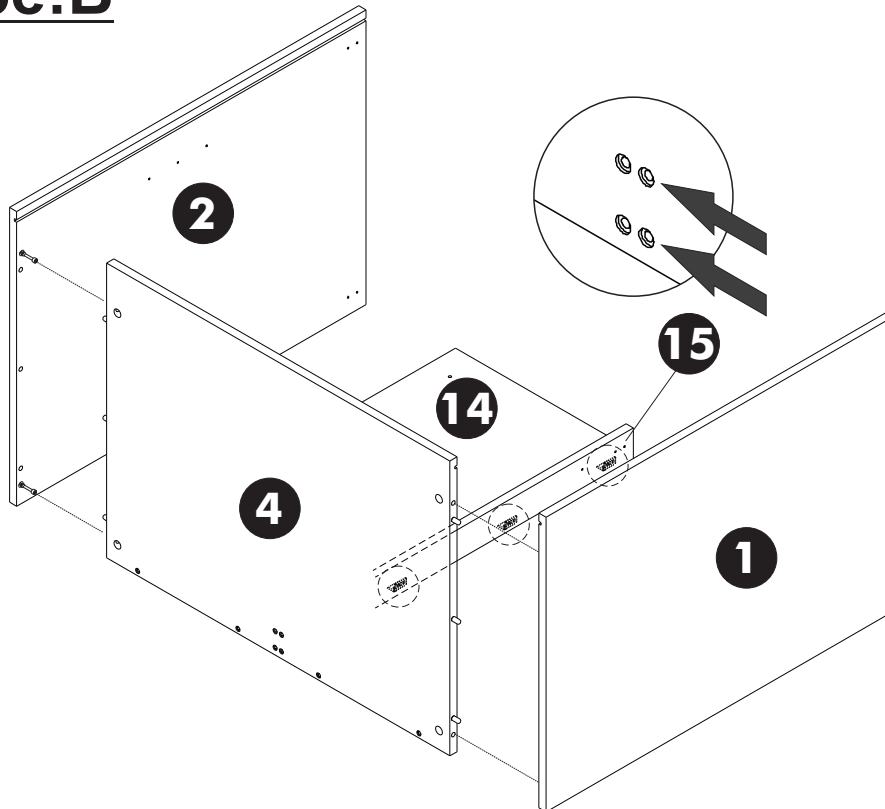
Type:A



M4x50mm. **x4**

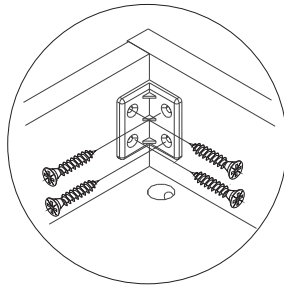
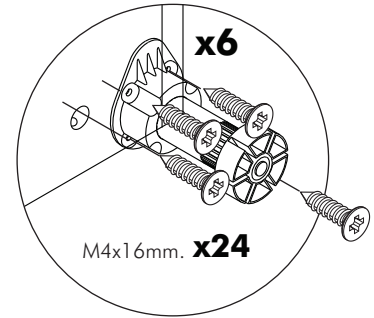
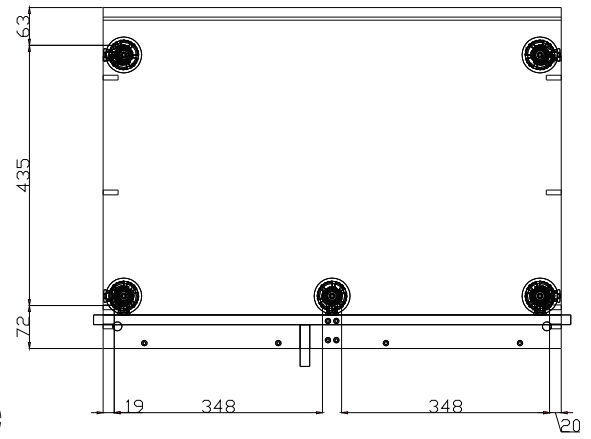
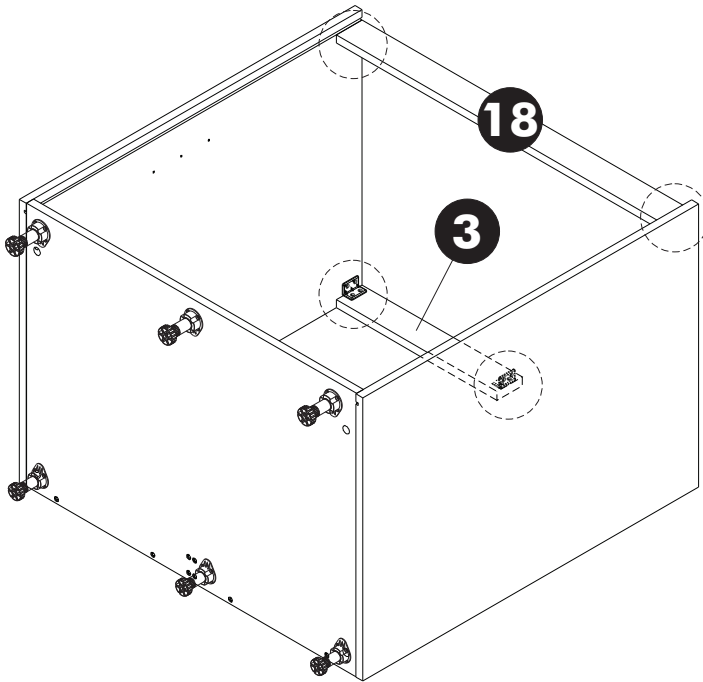


Type:B

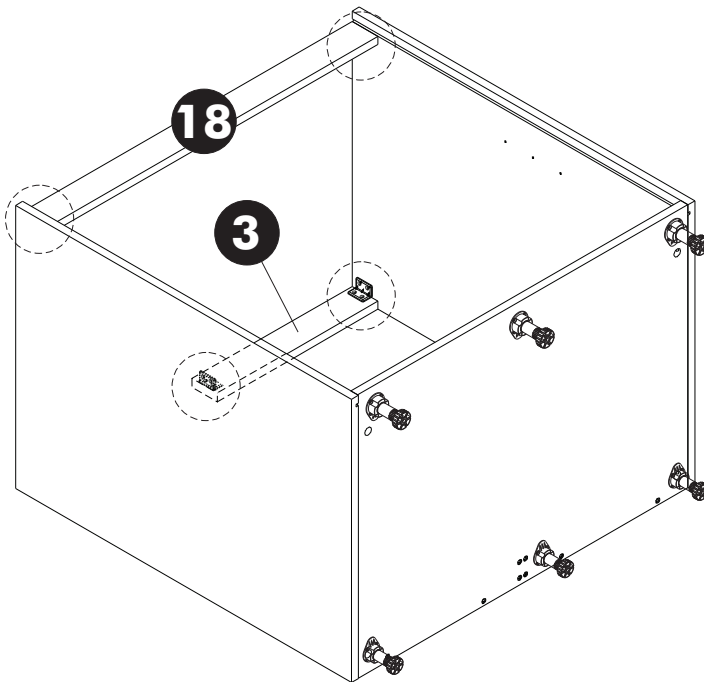


**2.**

**Type:A**

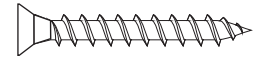
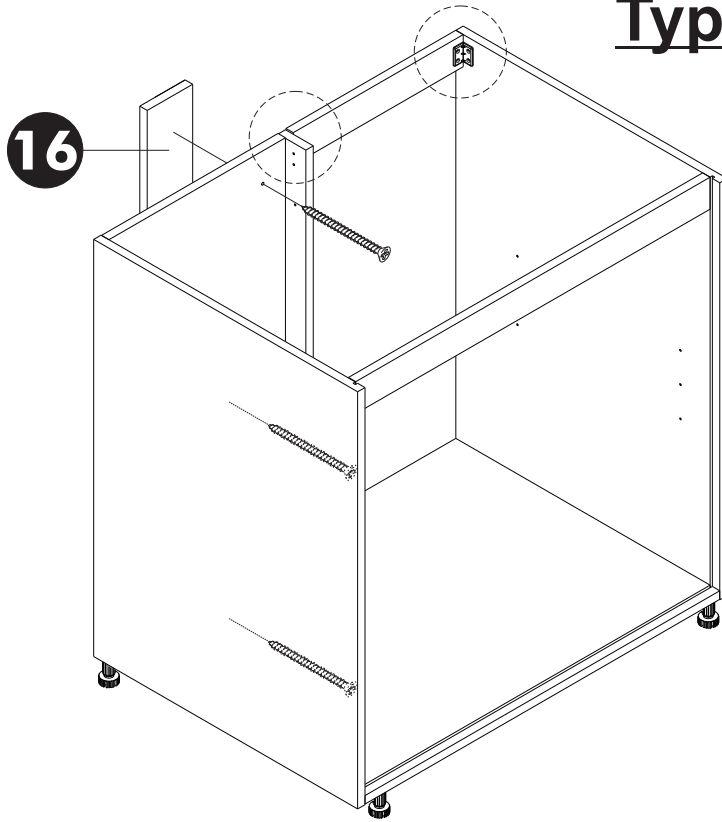


**Type:B**



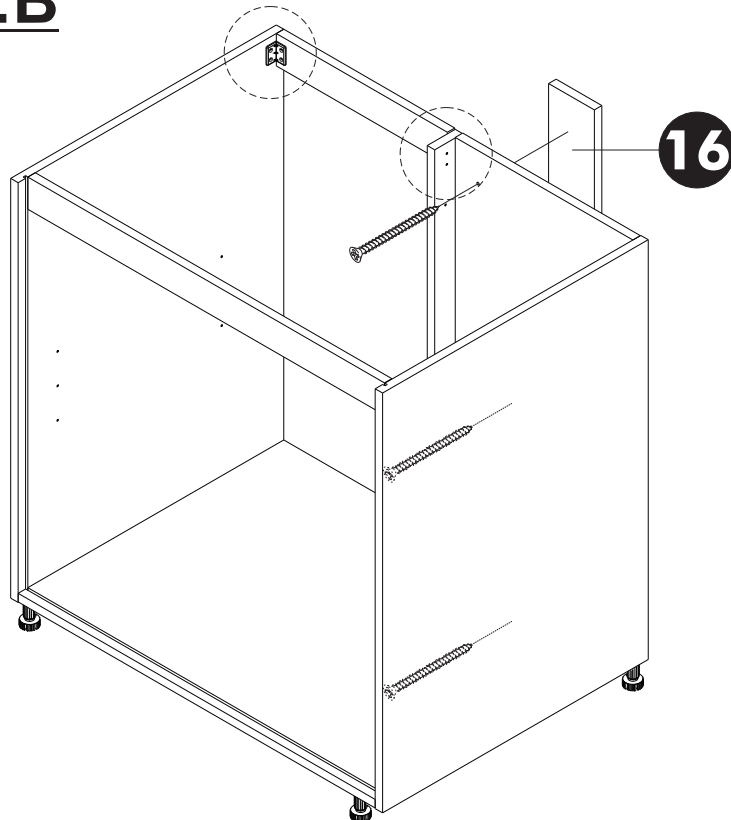
**3.**

**Type:A**



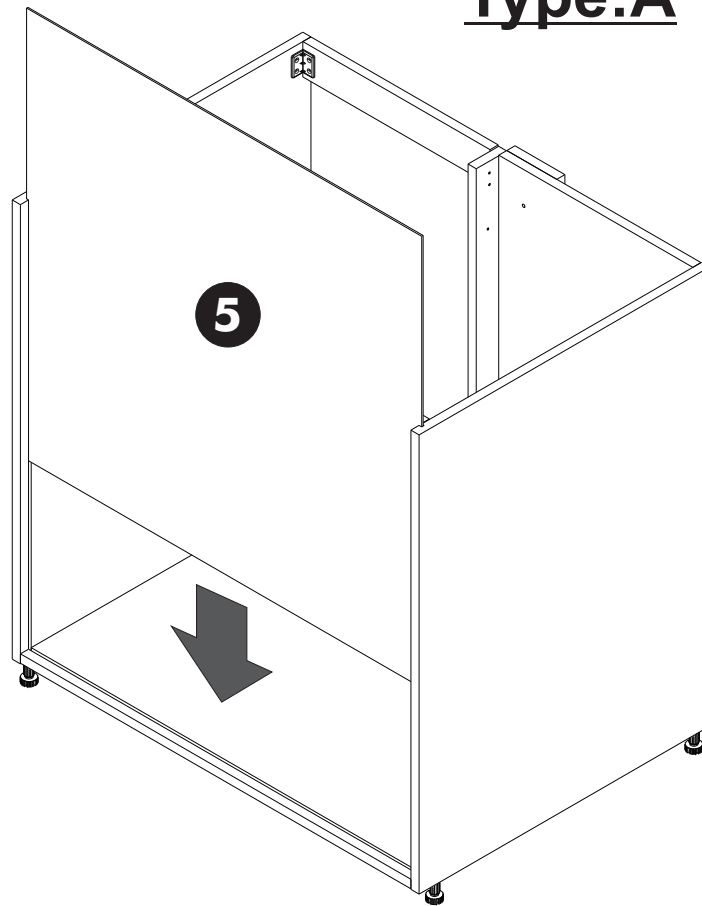
M4x25mm. **x3**

**Type:B**

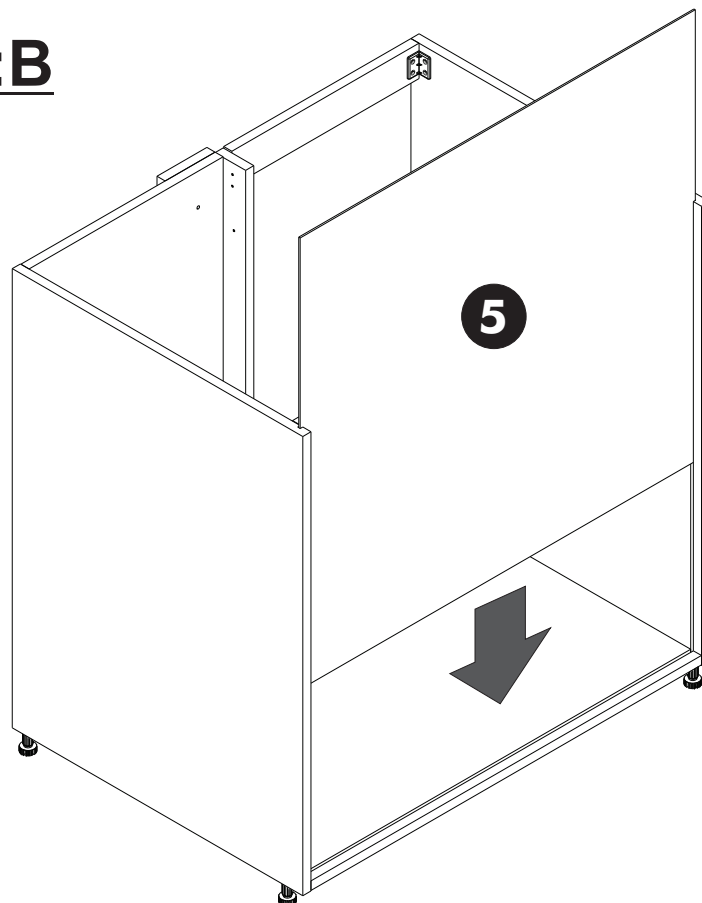


4.

Type:A

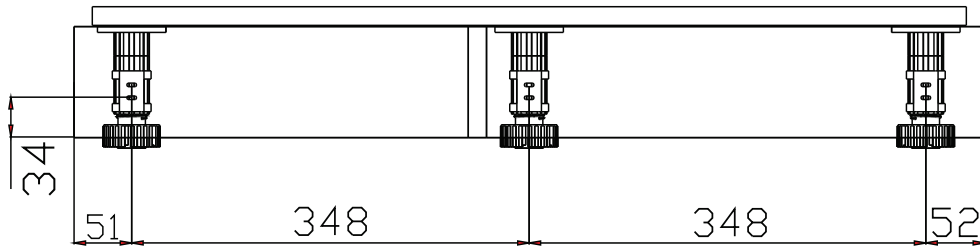
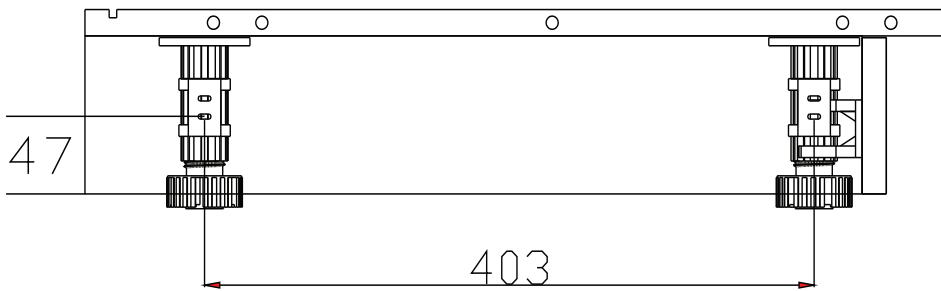
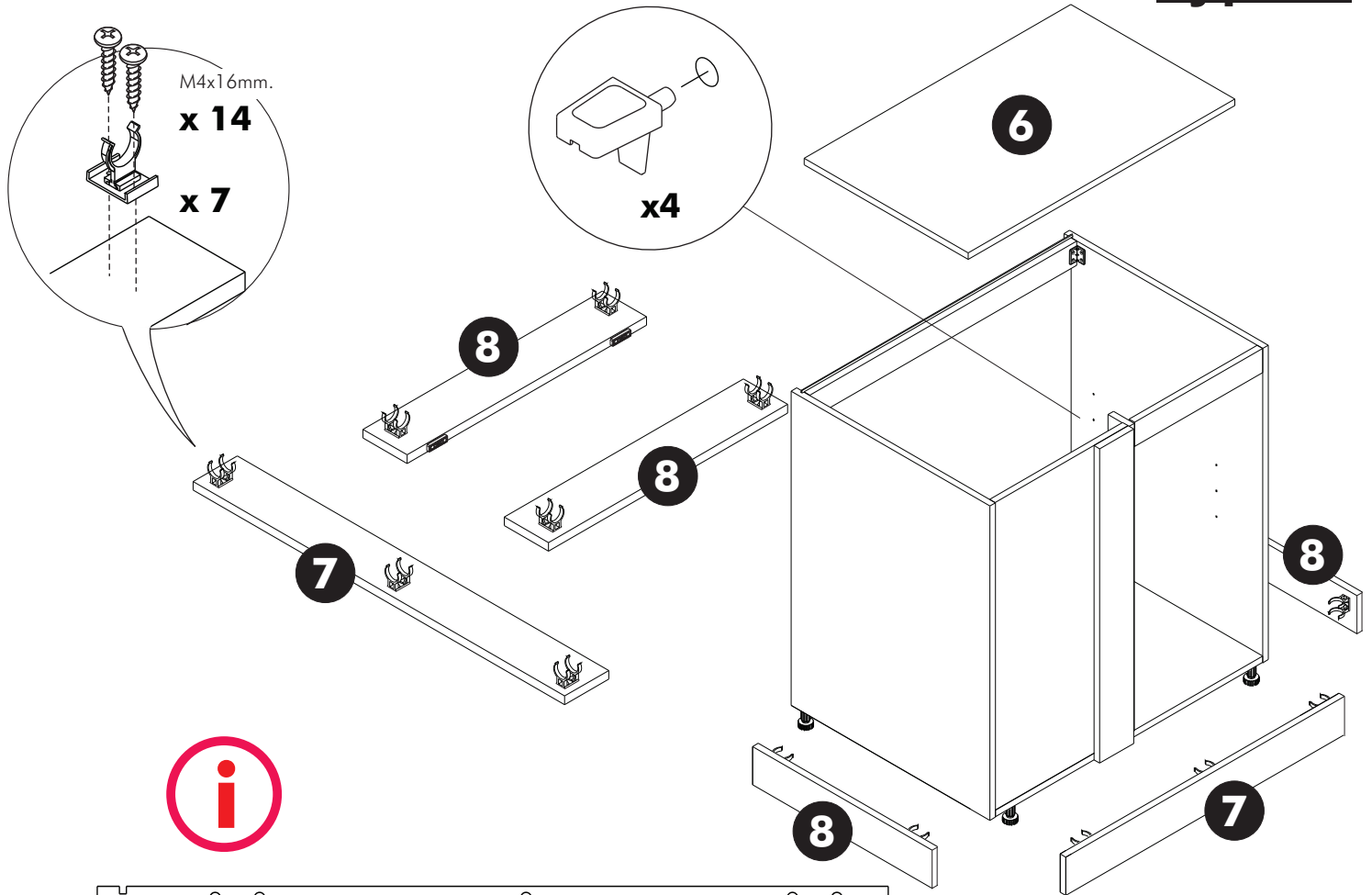


Type:B

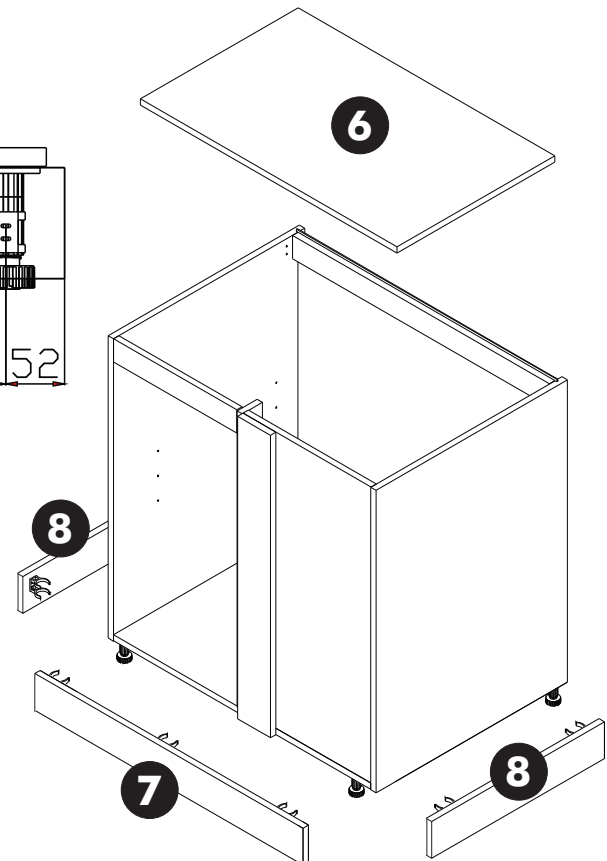


**5.**

**Type:A**

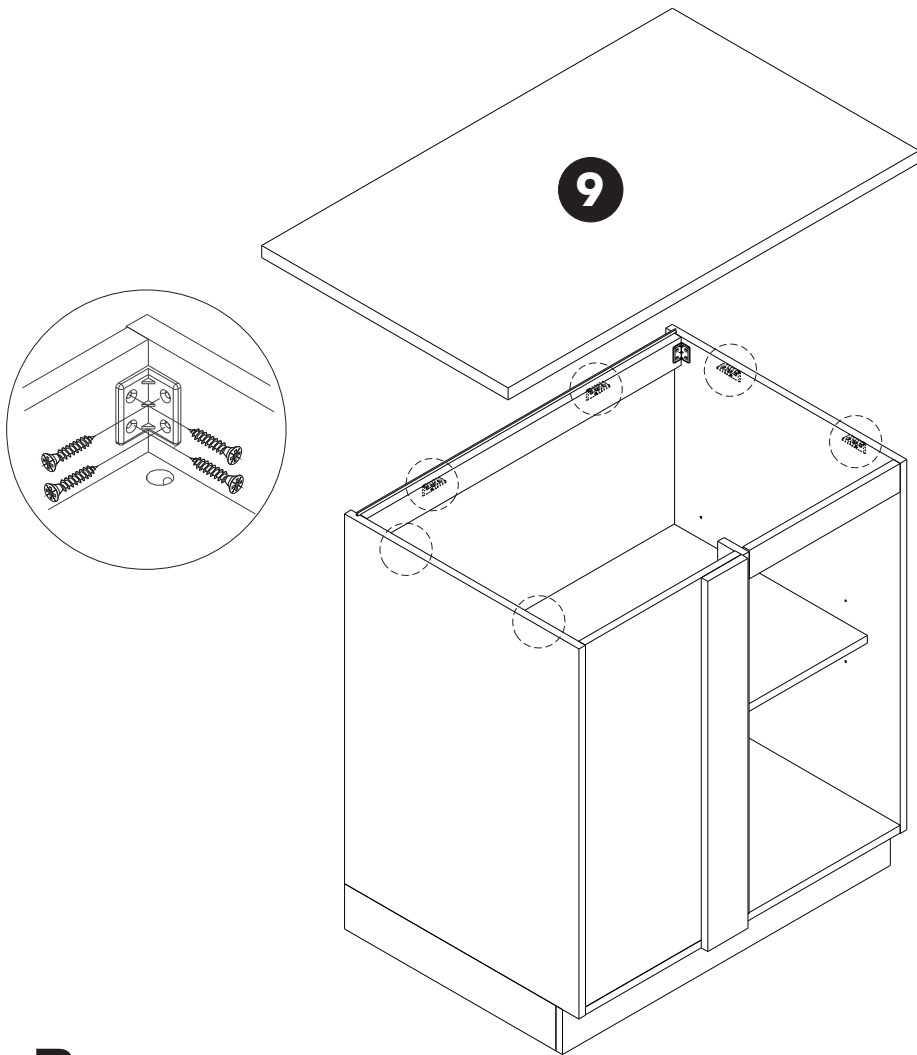


**Type:B**

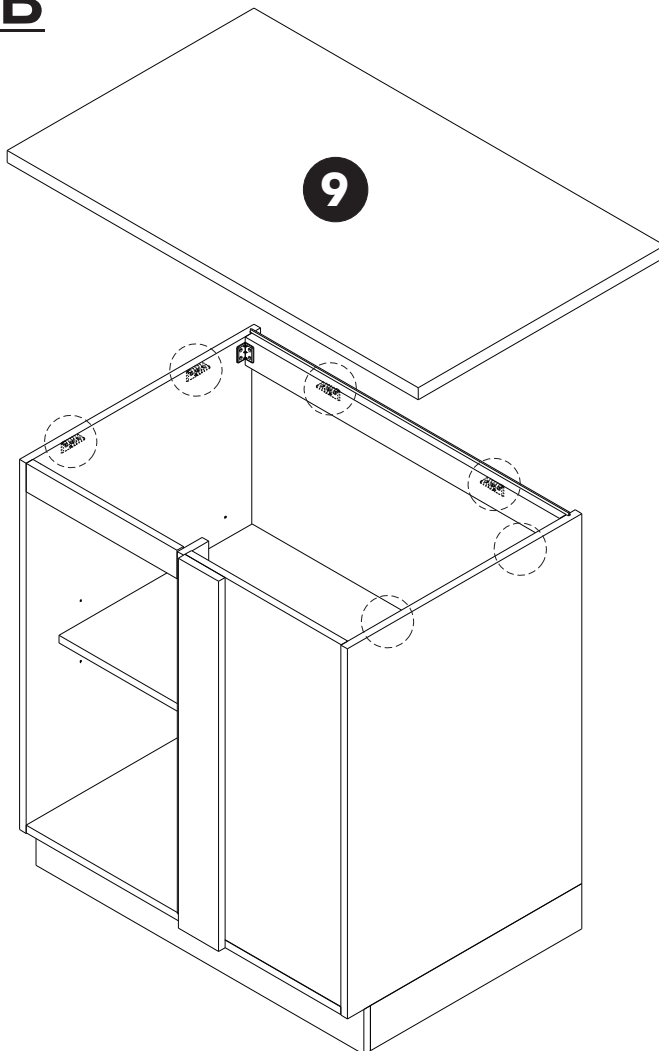


**6.**

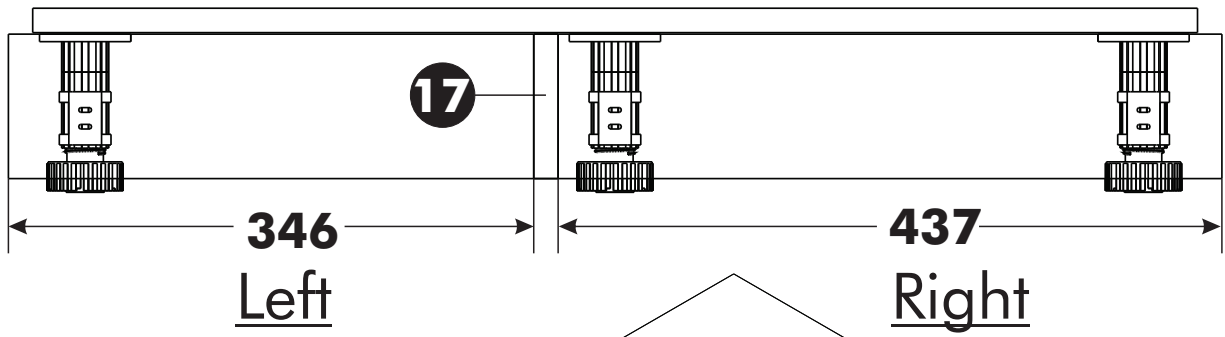
**Type:A**



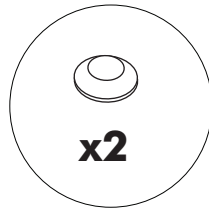
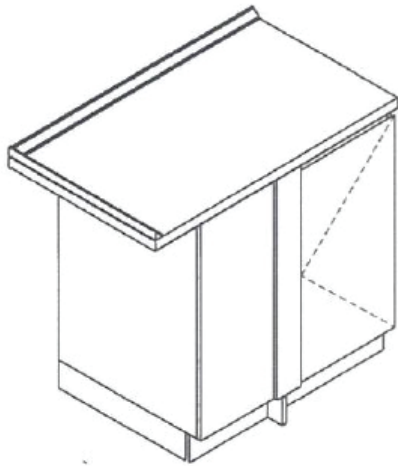
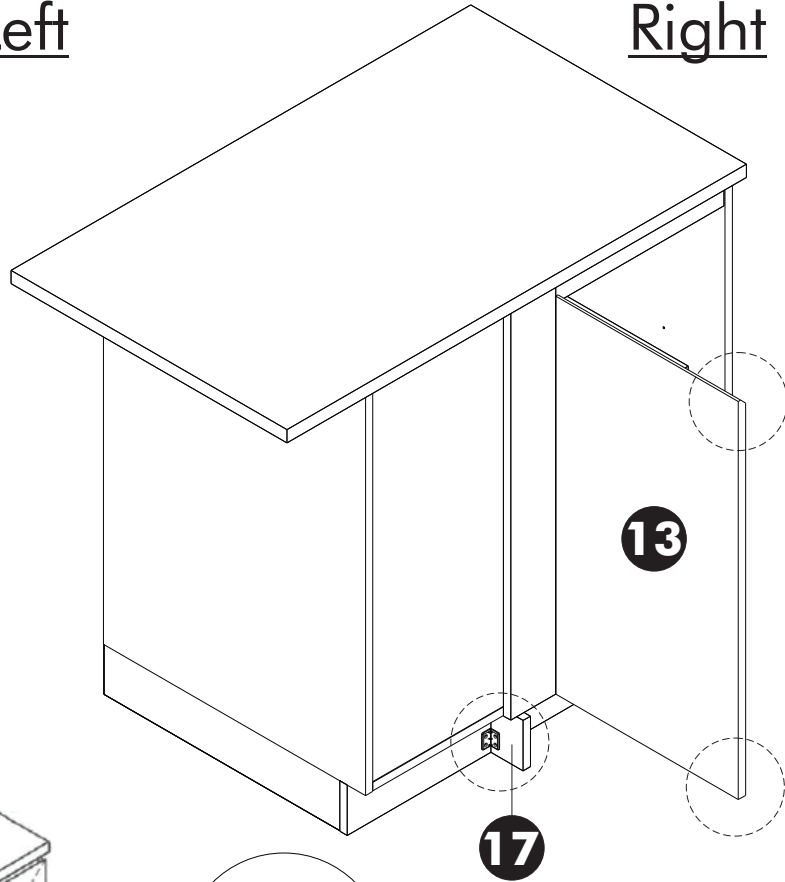
**Type:B**



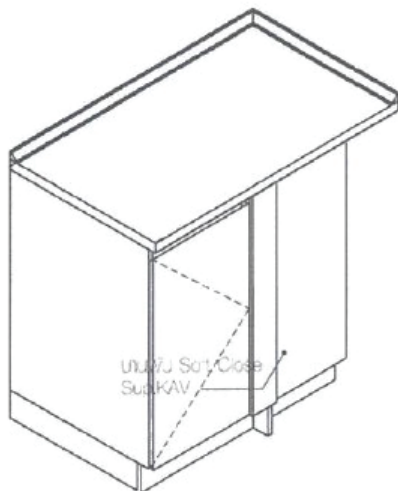
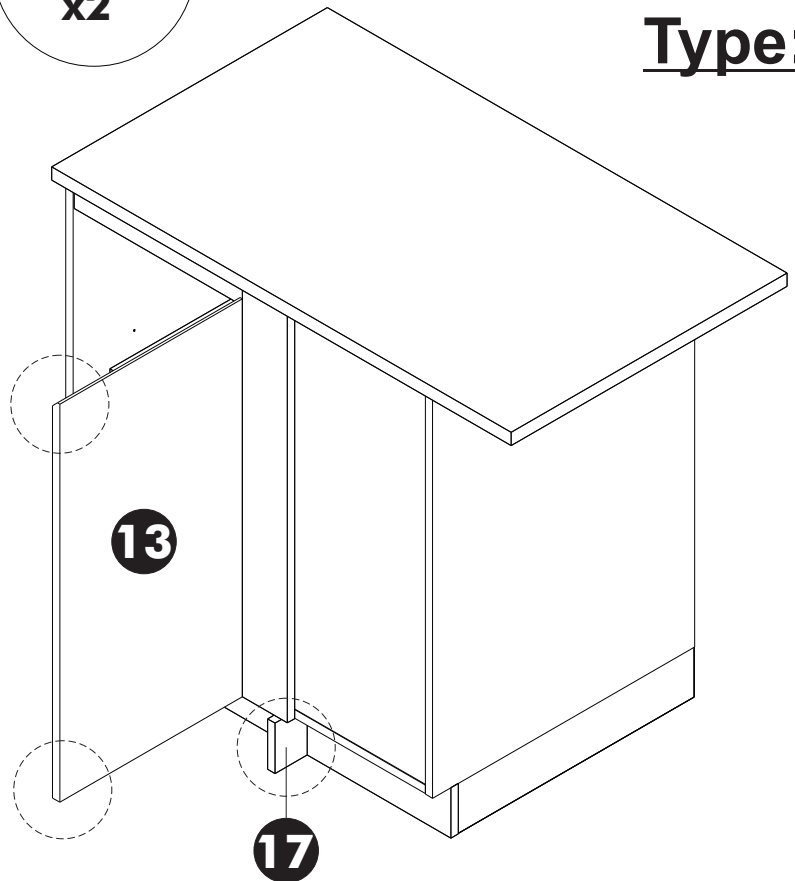
**7.**



**Type:A**

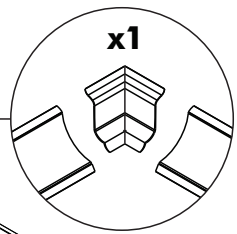
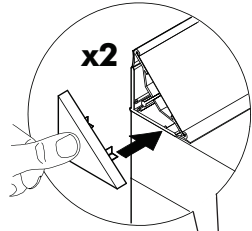


**Type:B**

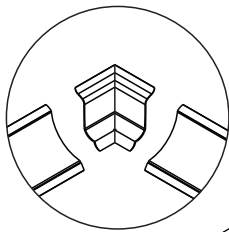
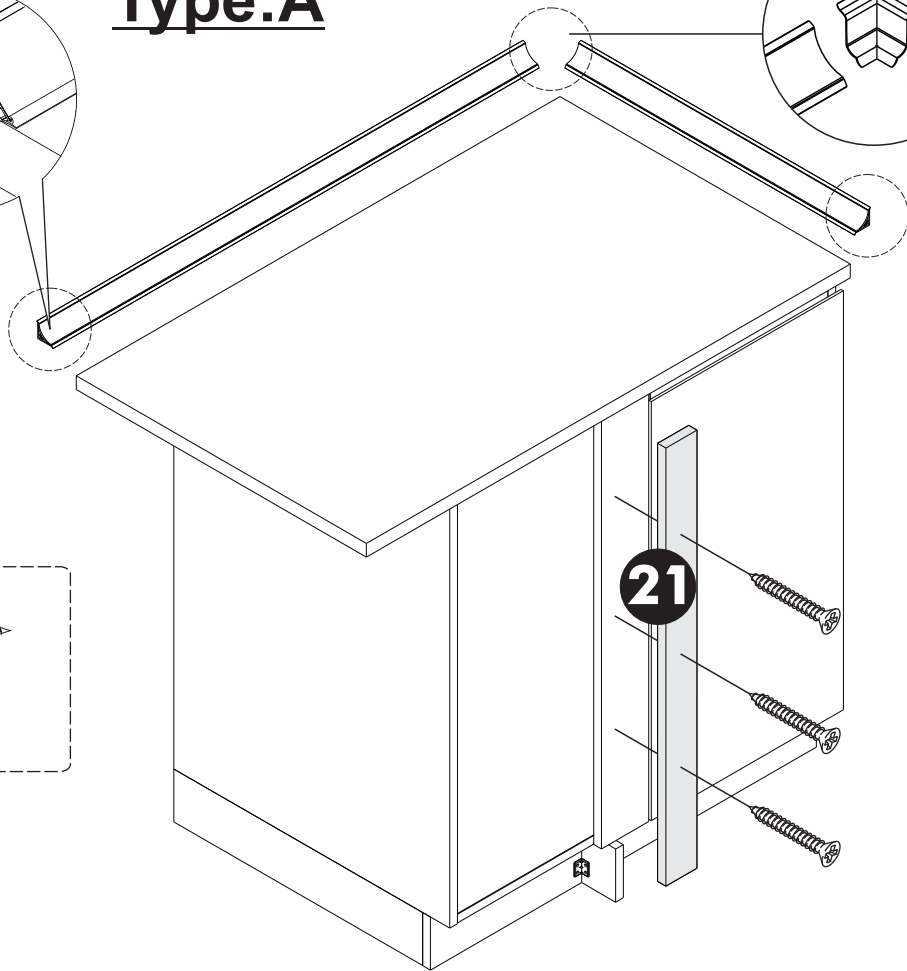
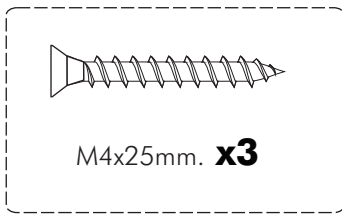


**8.**

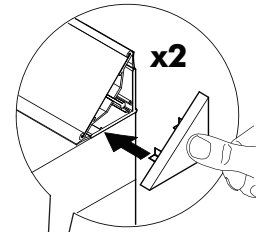
**Type:A**



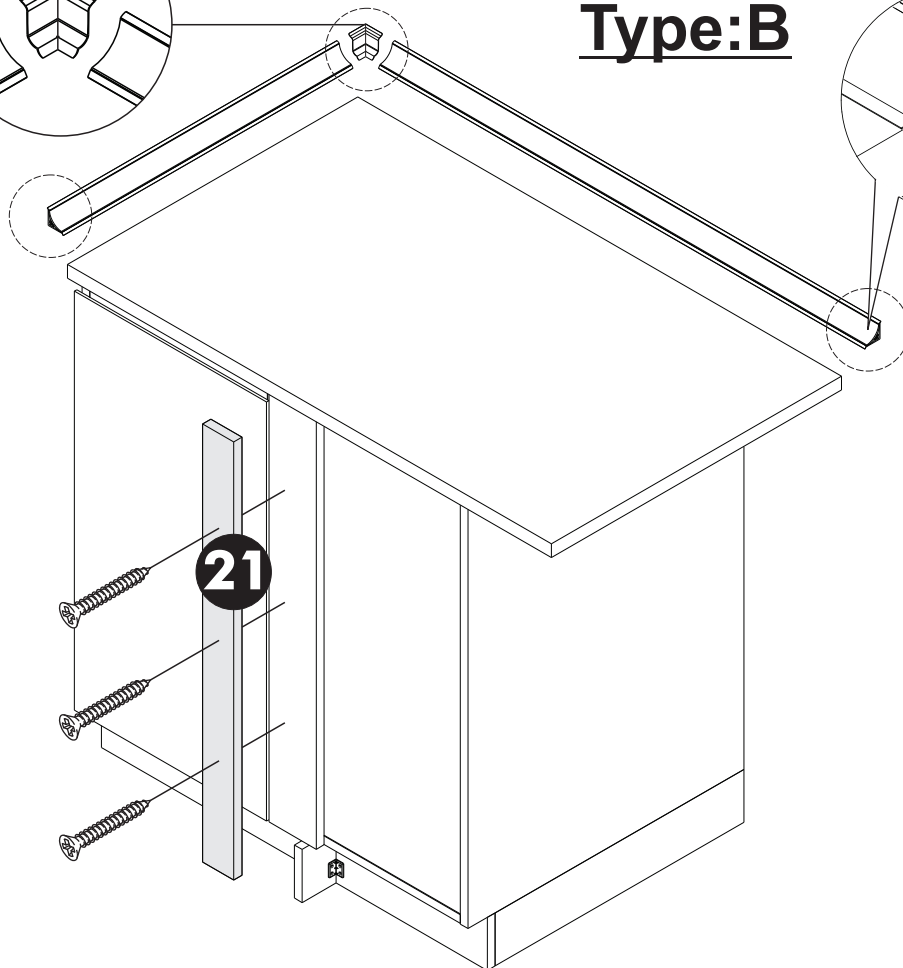
**Type:A**



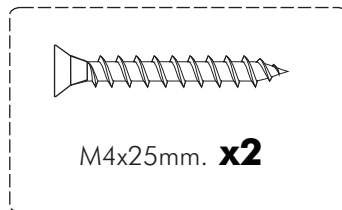
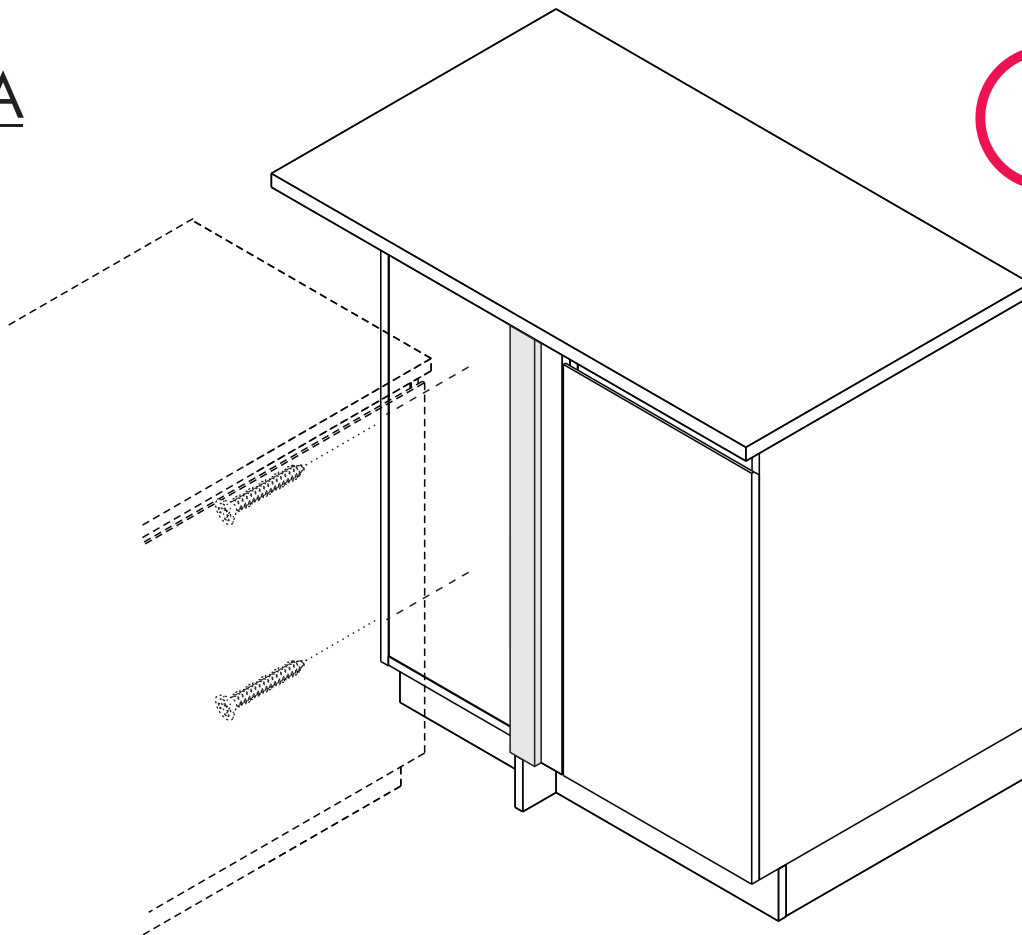
**Type:B**



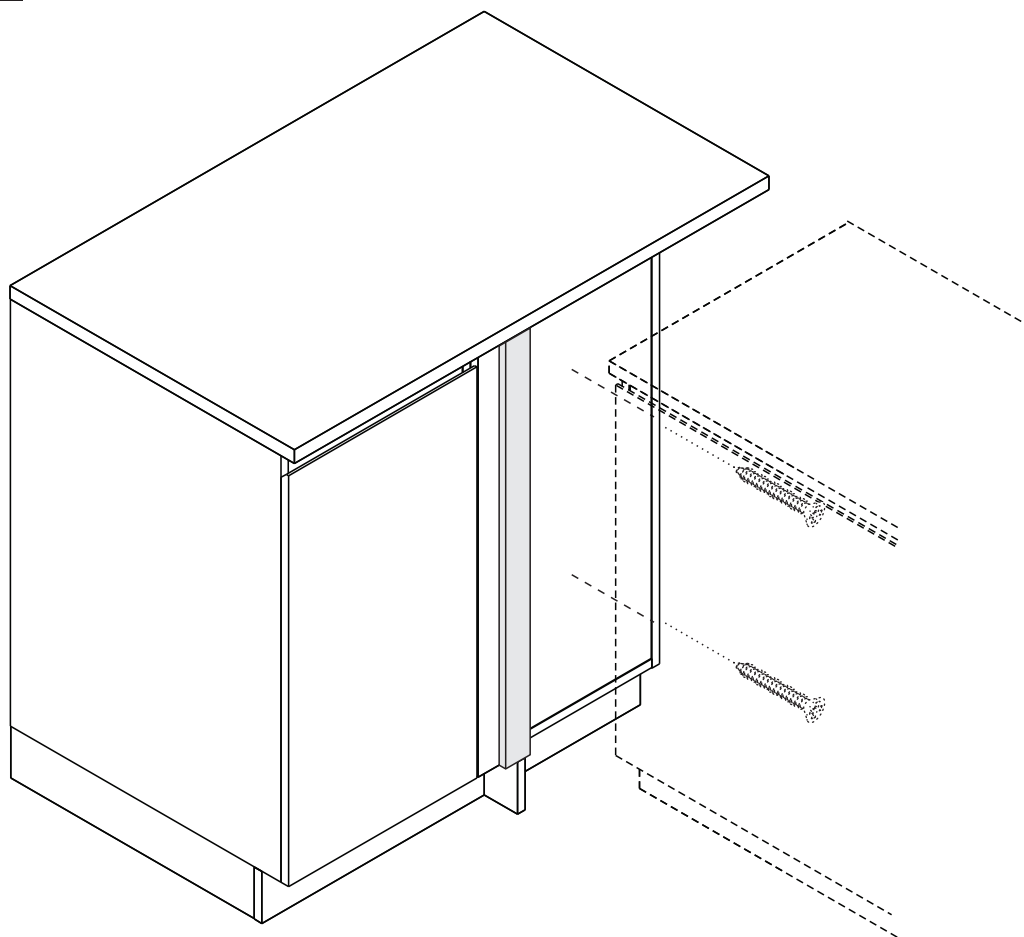
**Type:B**

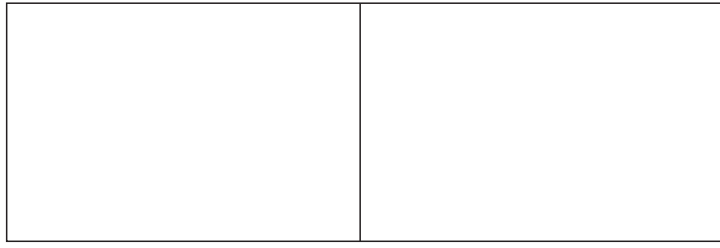


Type:A



Type:B





**600mm.**

