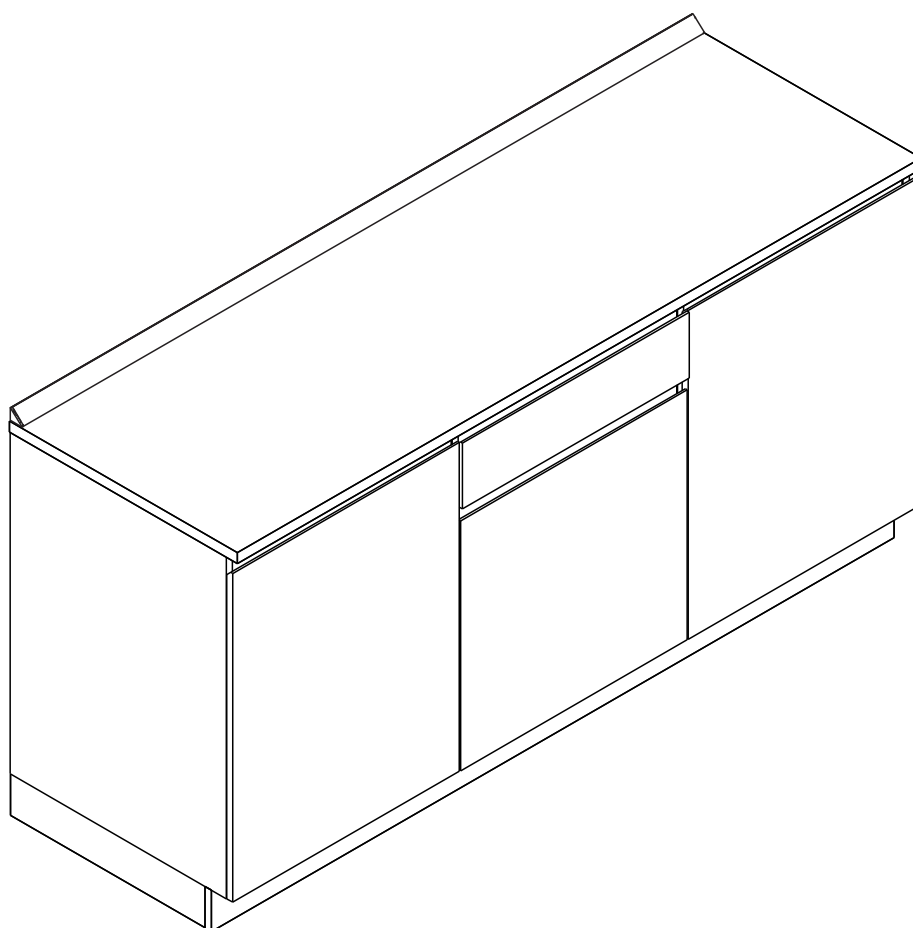


TERTRIZ

Base cabinet+DW 180 cm.



CONNECT SYSTEM

1

3

2

(Connecting bolts)

WHEN FITTING CAMS
 ENSURE STARTING POSITION IS CORRECT
 BEFORE YOU INSERT CONNECTING BOLT
 TURN CLOCKWISE UNTIL SECURE

✓					✗
	CORRECT	WRONG			

M4x16mm.

i

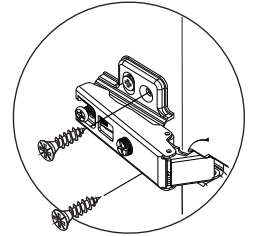
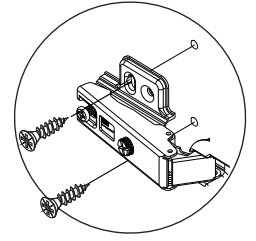
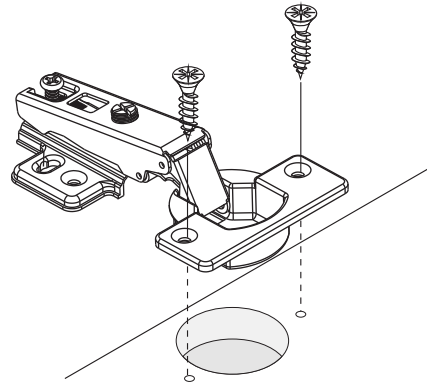
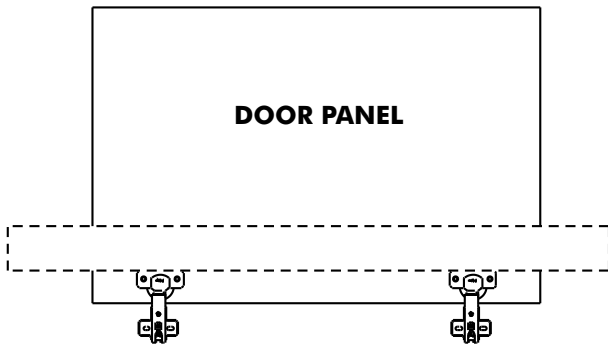
40mm.

EQ

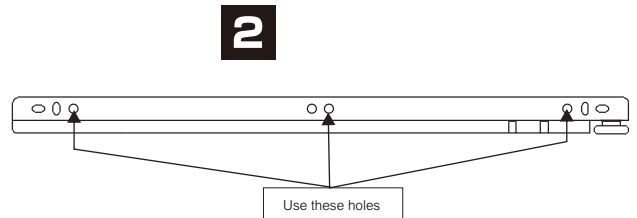
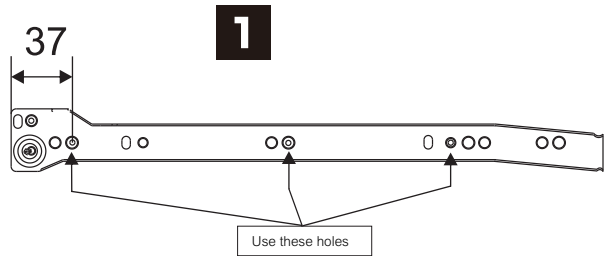
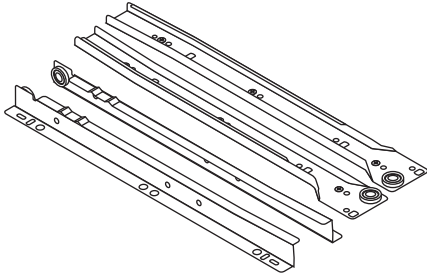
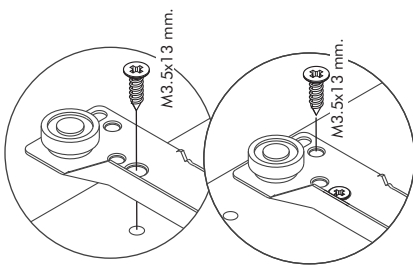
M4x16mm.

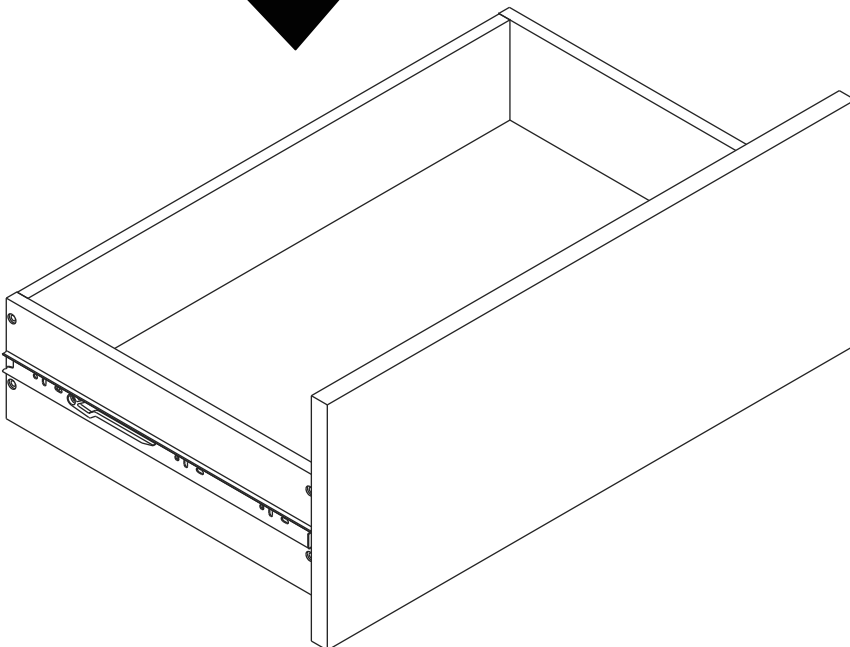
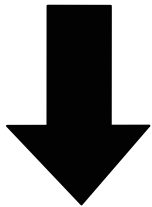
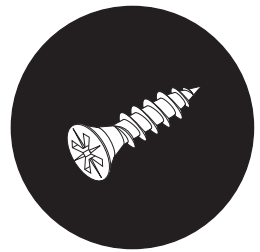
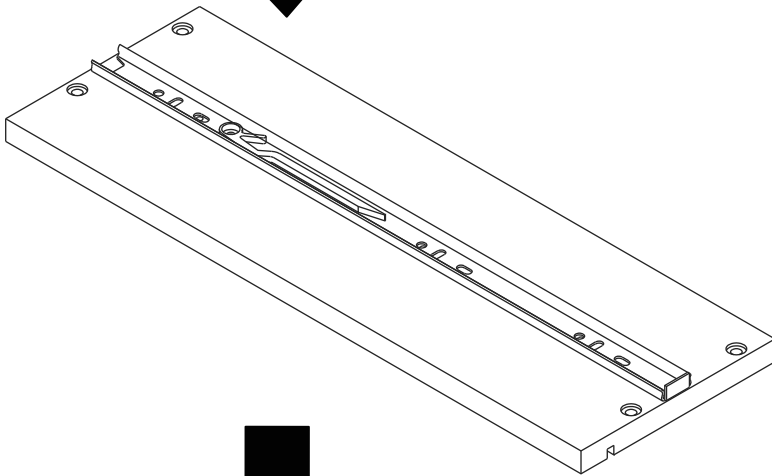
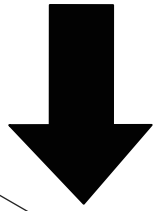
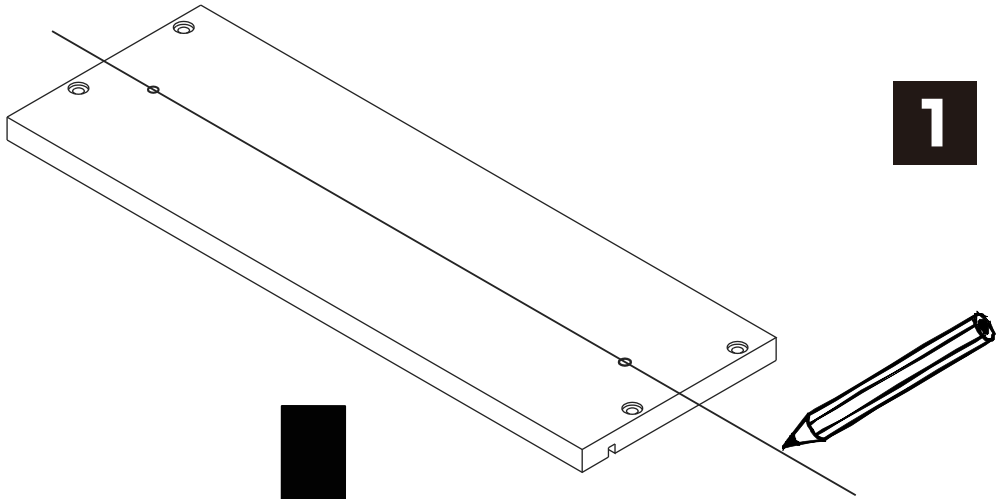


M4x16mm.



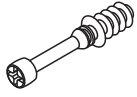
M3.5x13mm.





HARDWARE

-BODY SET



x 8



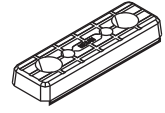
x 8



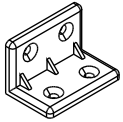
#8x35
x 14



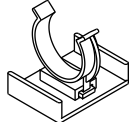
x 12



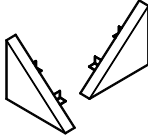
x 7



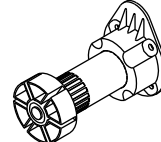
x 22



x 8



x 2



x 8



M4x16mm.
x134



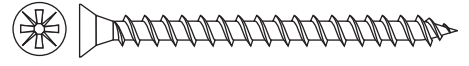
x 8

M4x50mm.



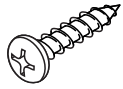
x2

M4x25mm.



x10

M4x40mm.



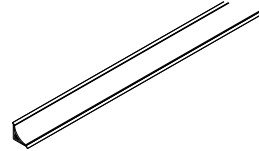
P+M4x16mm.

x 16



x 4

M4x25mm.



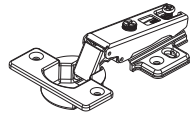
x 1

HARDWARE

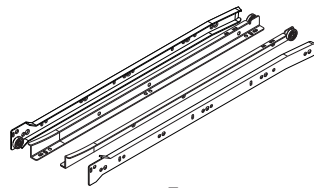
-DOOR SET



x 6



x 6



x1



x36

M4x16mm.



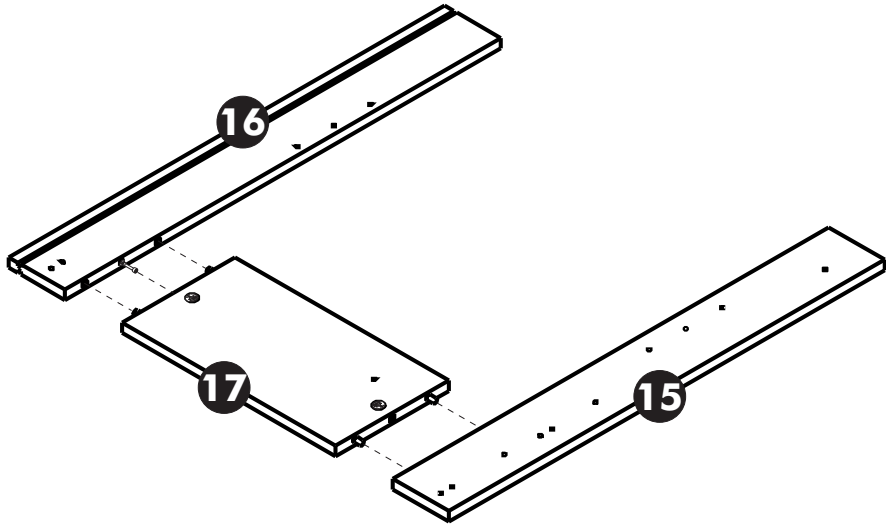
x14

M3.5x13mm.

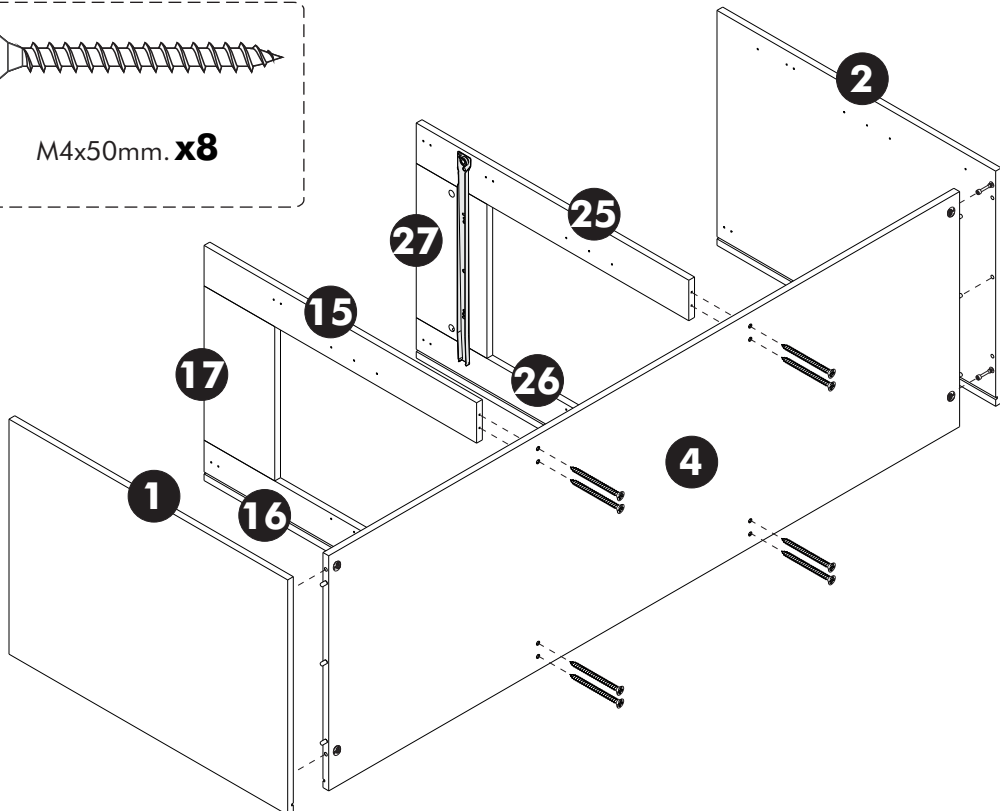
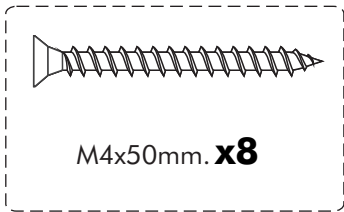
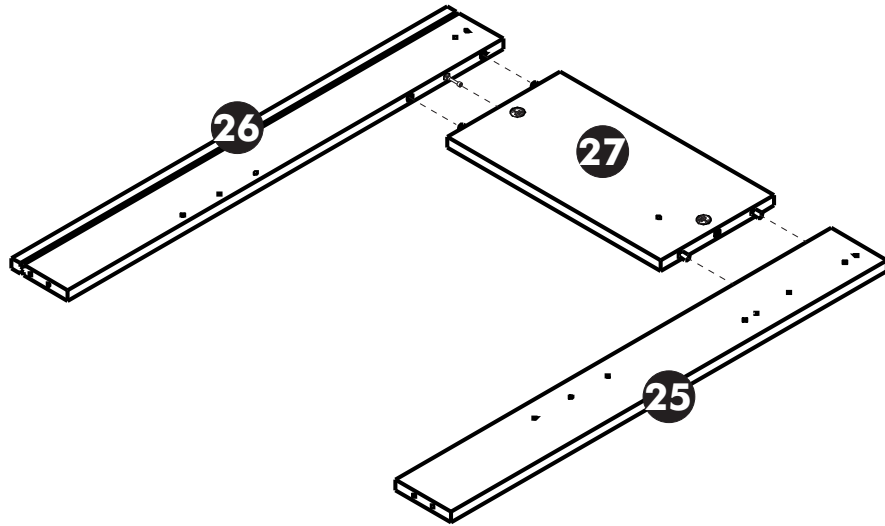
ASSEMBLY

-BODY SET

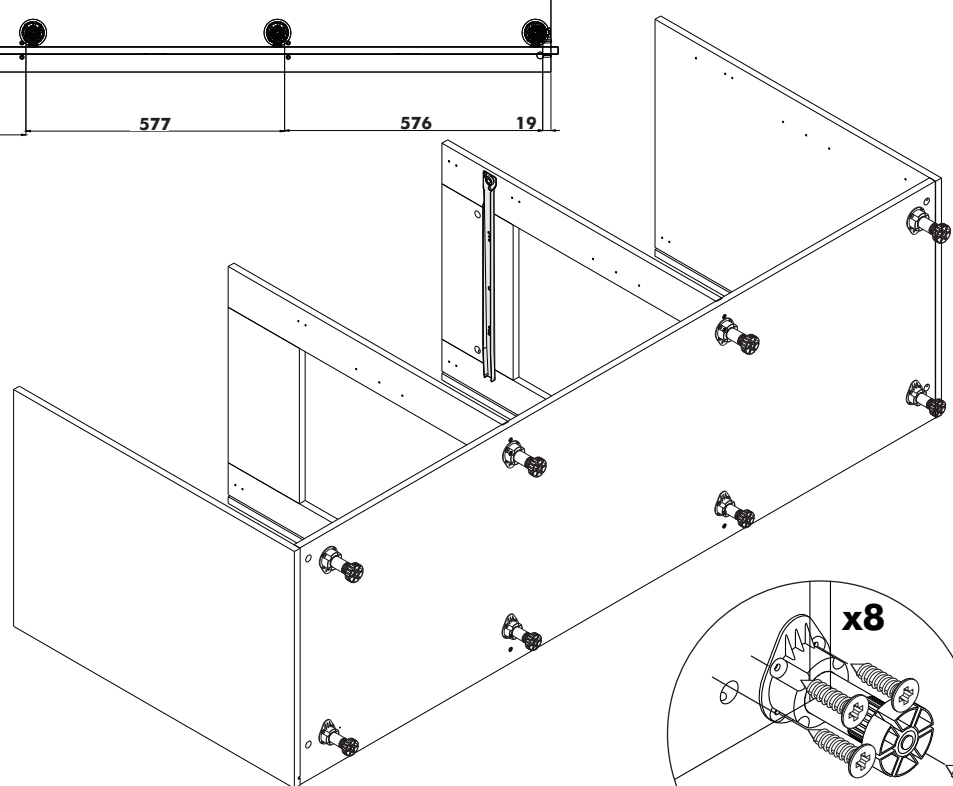
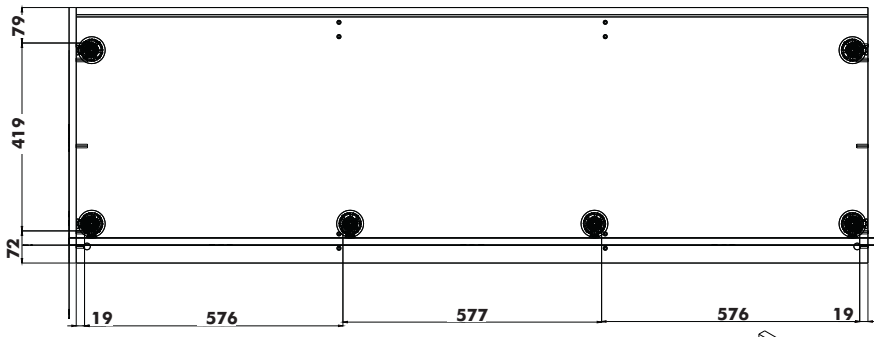
1.



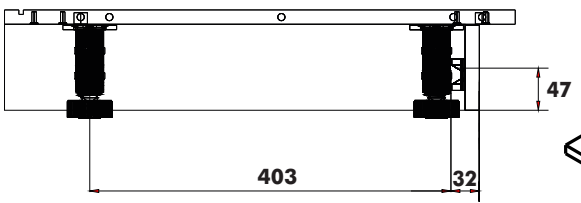
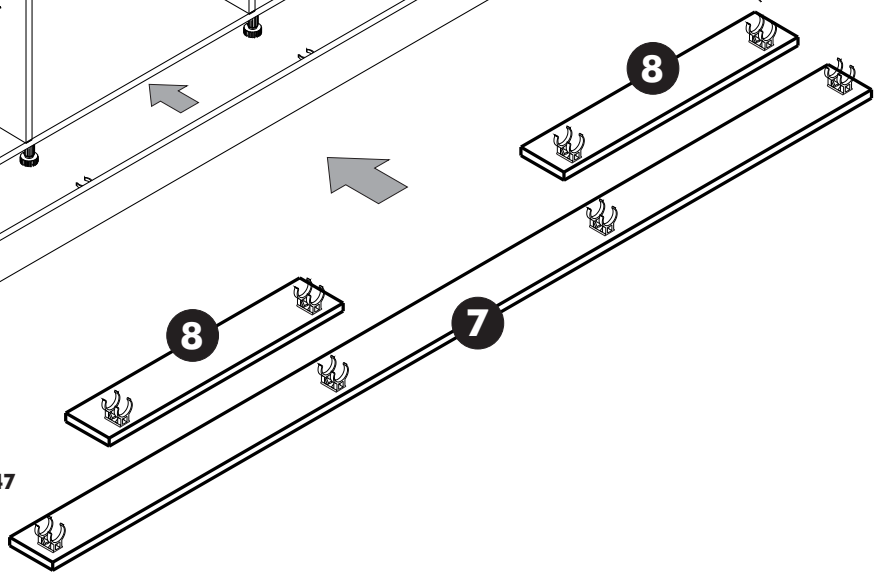
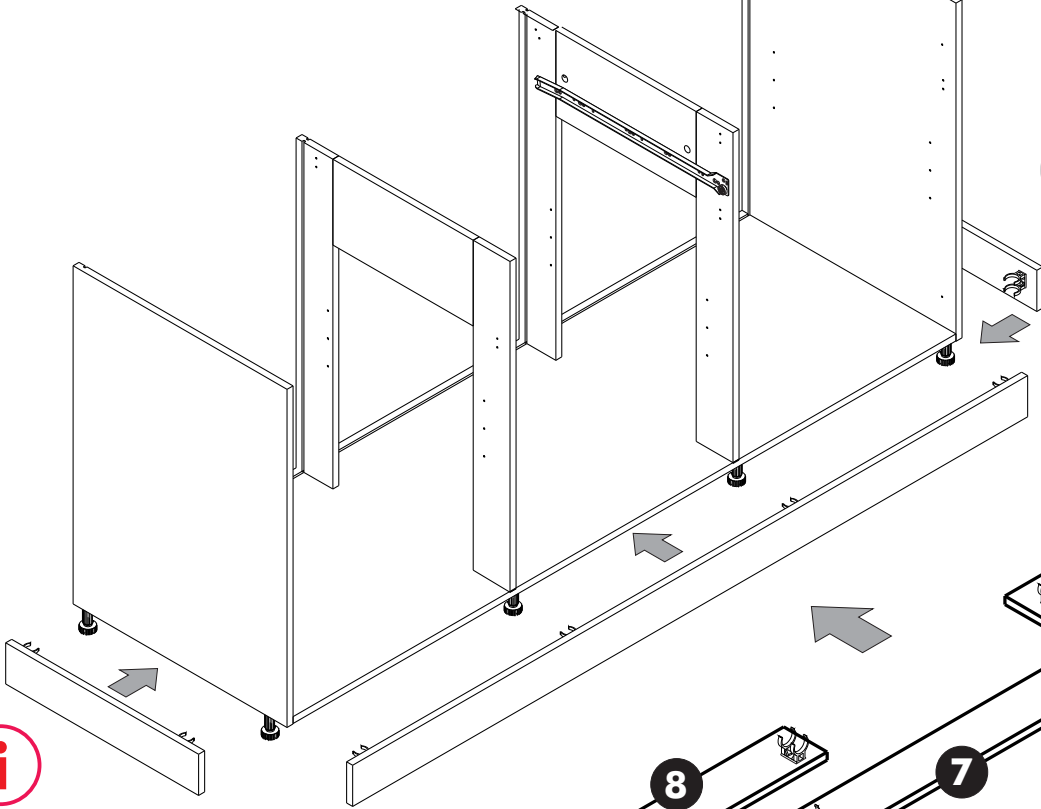
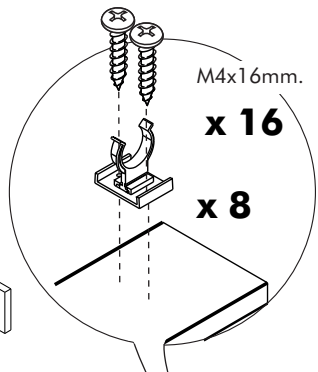
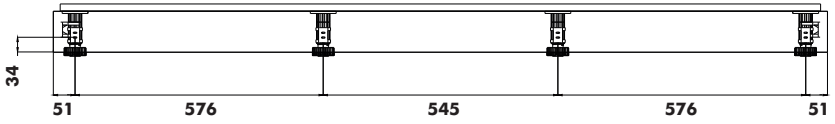
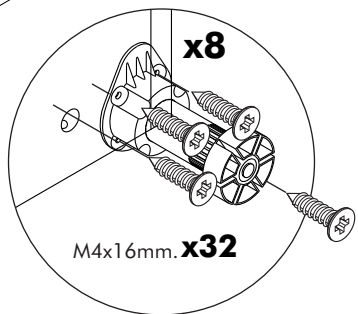
2.



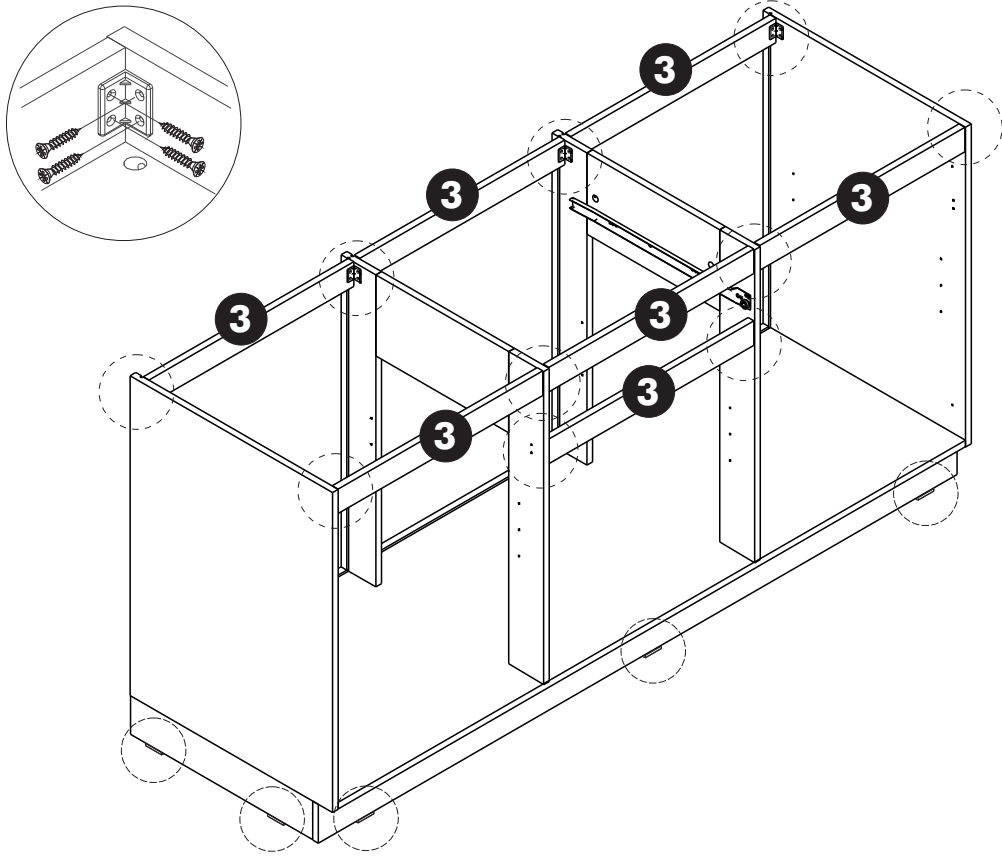
3.



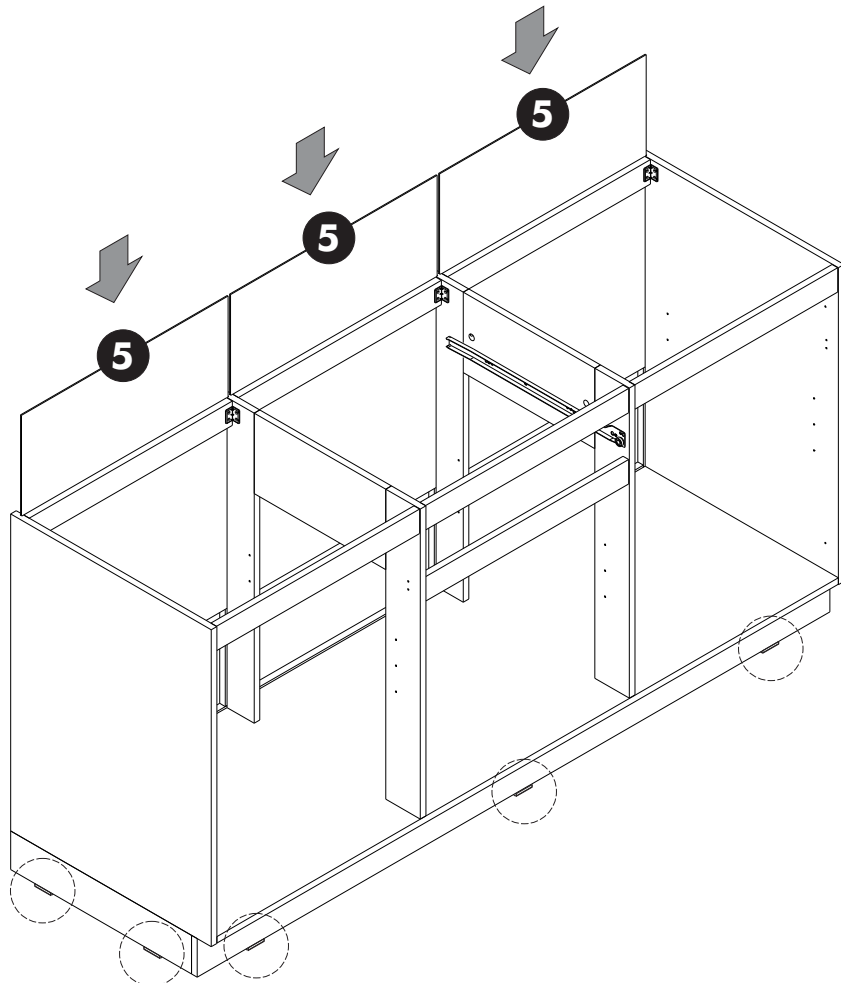
4.



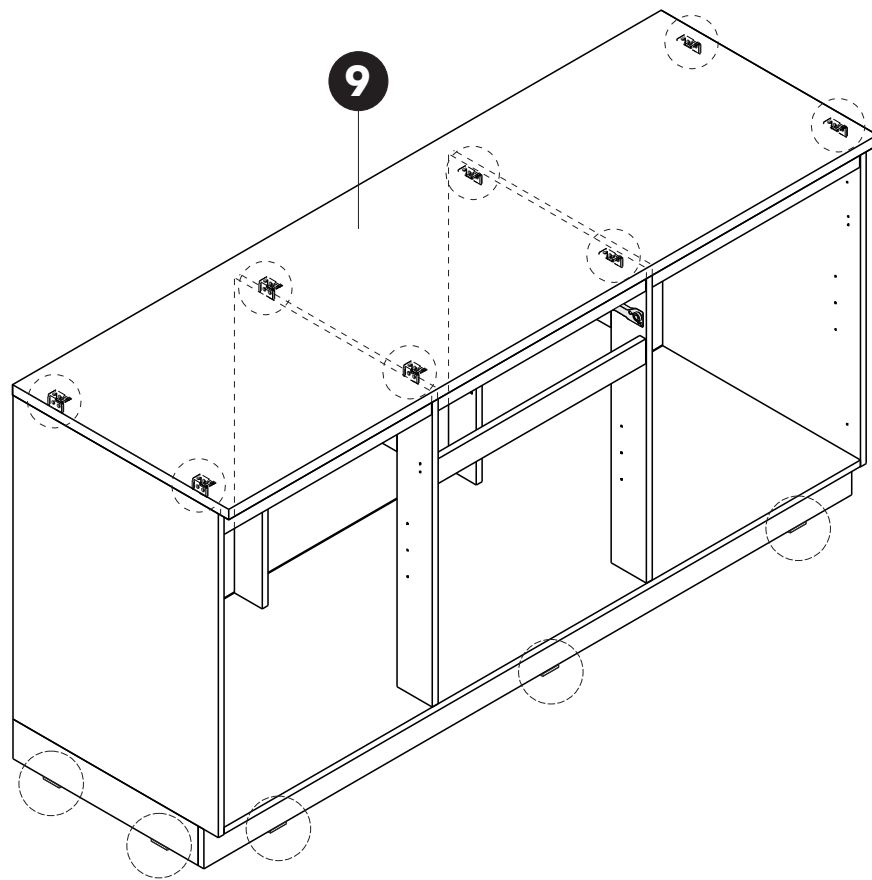
5.



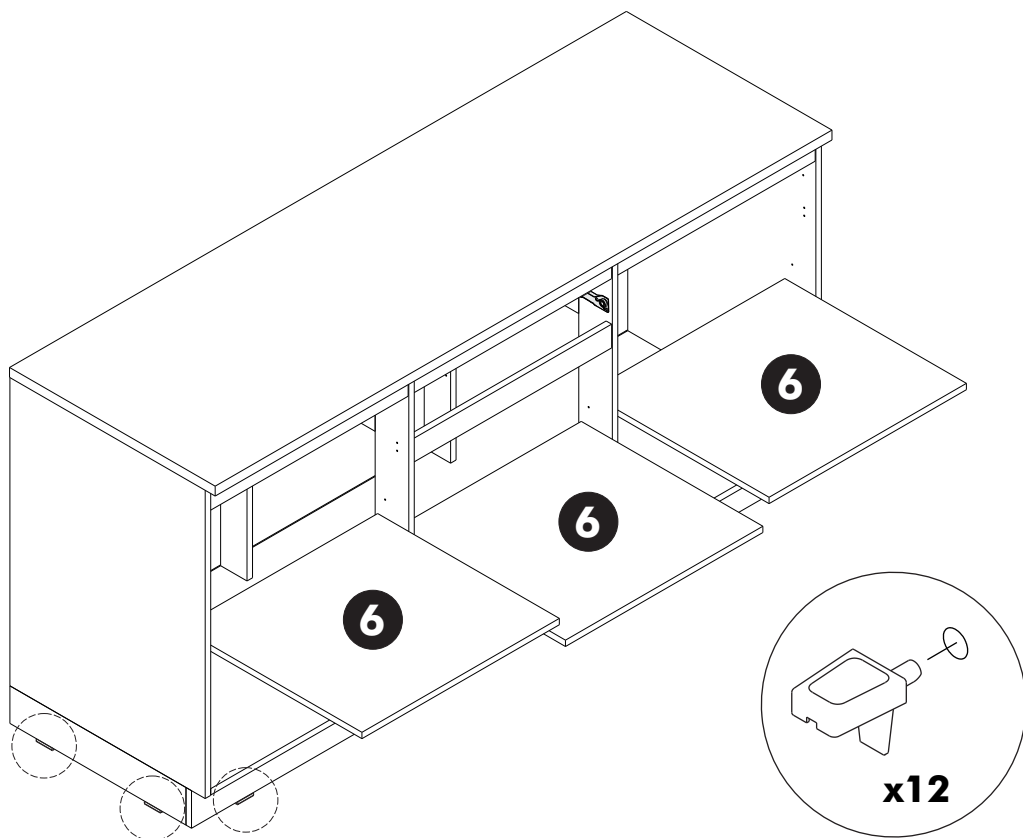
6.



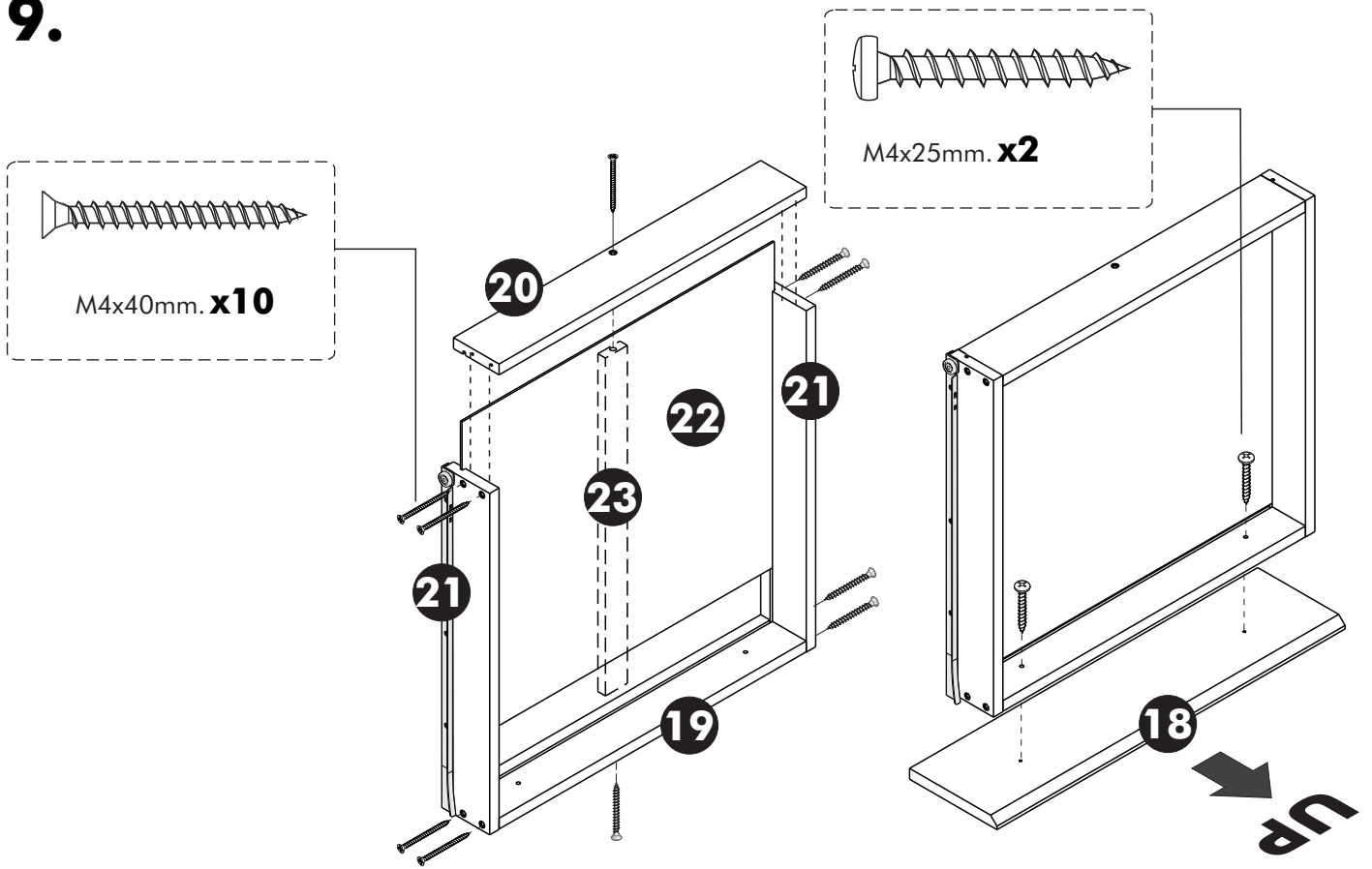
7.



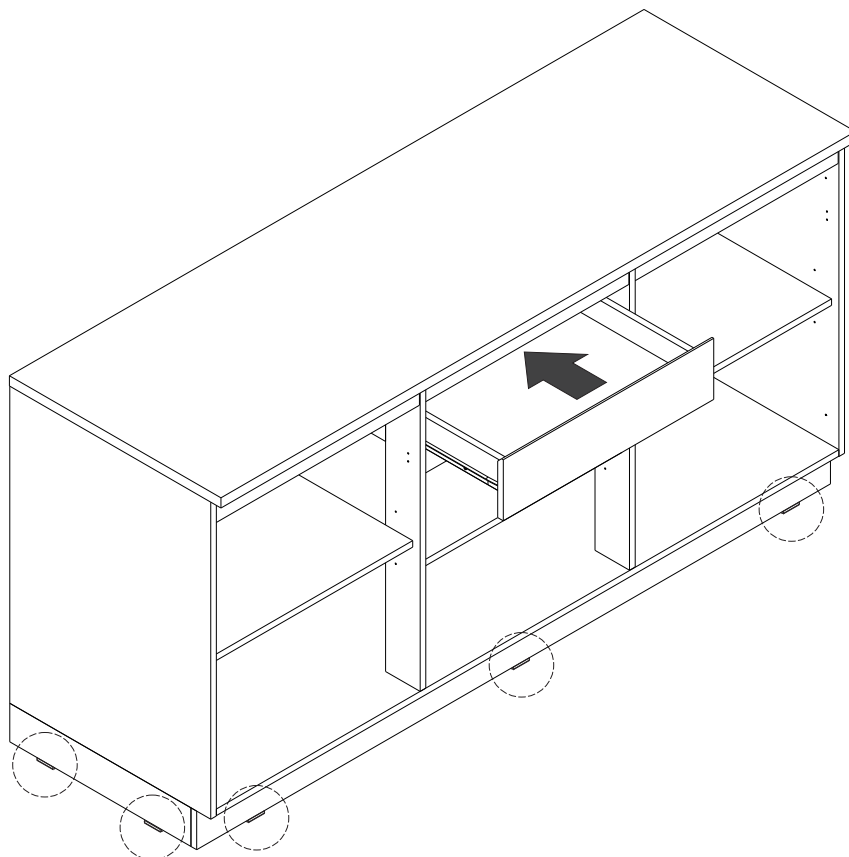
8.



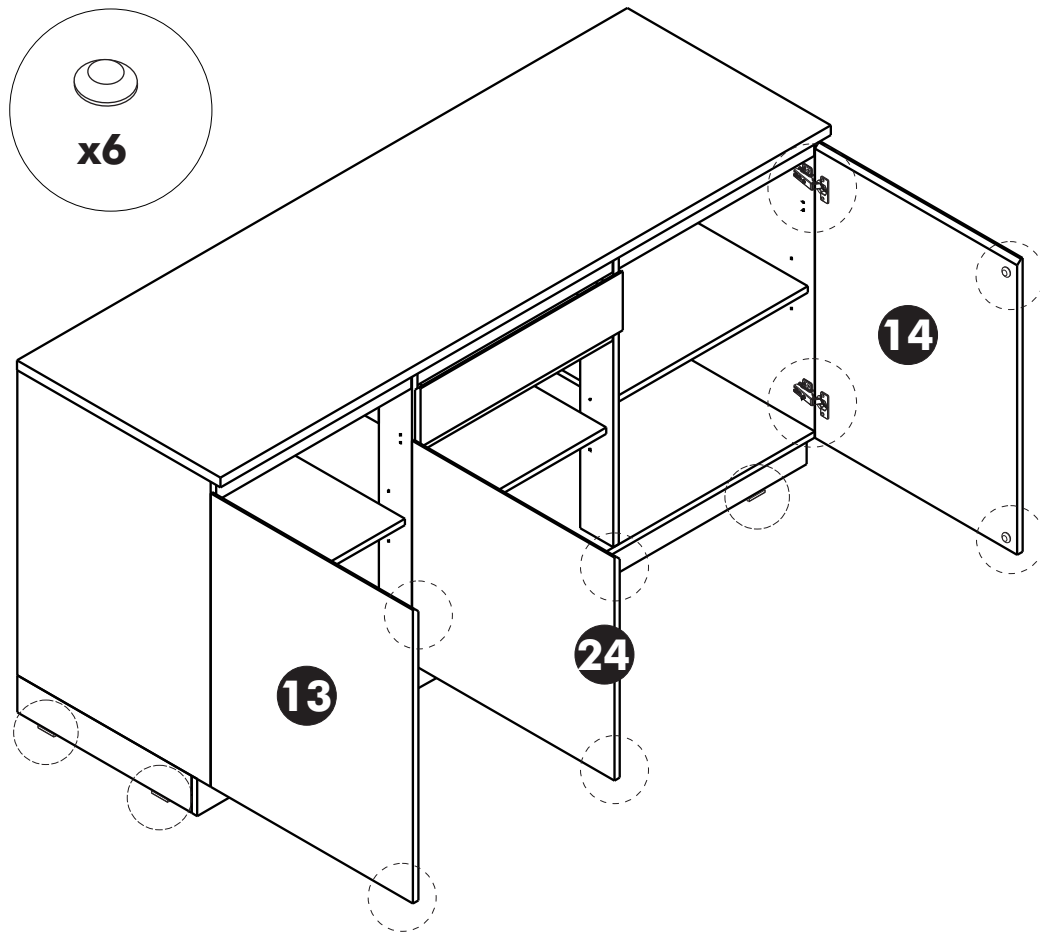
9.



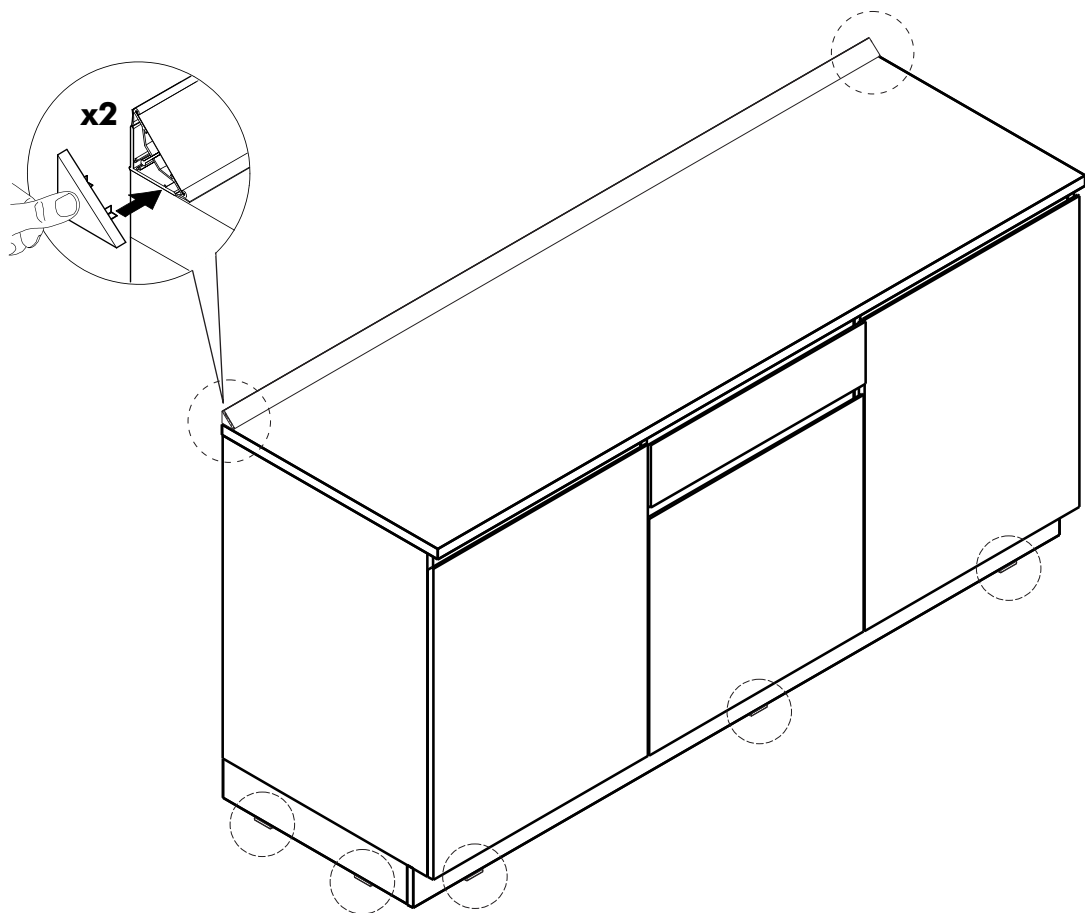
10.



11.

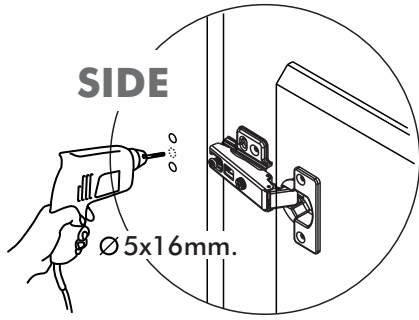


12.

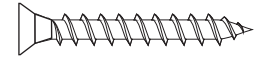
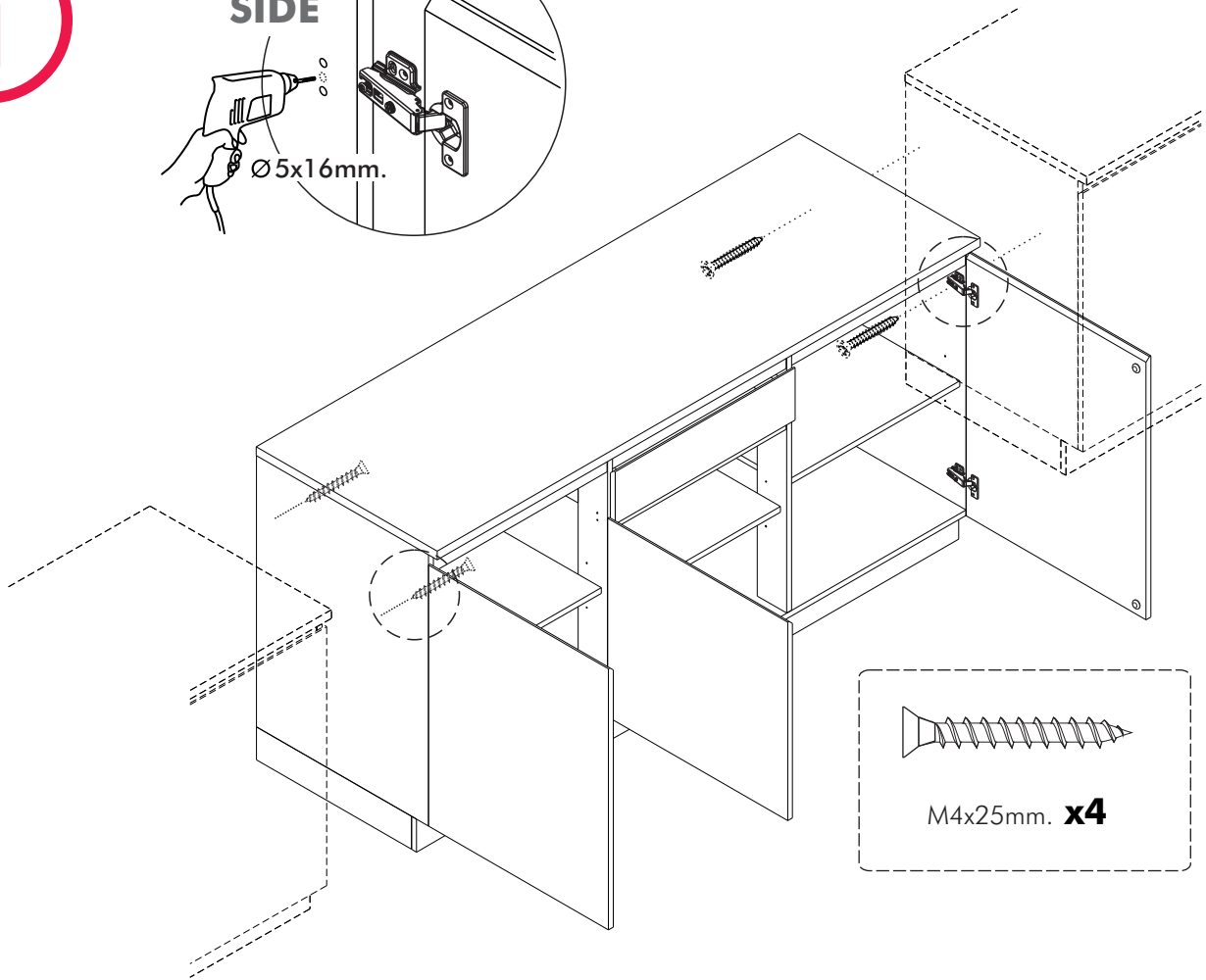




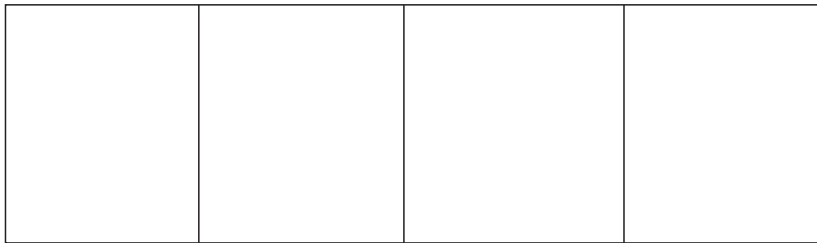
SIDE



Ø5x16mm.



M4x25mm. **x4**



600mm.

