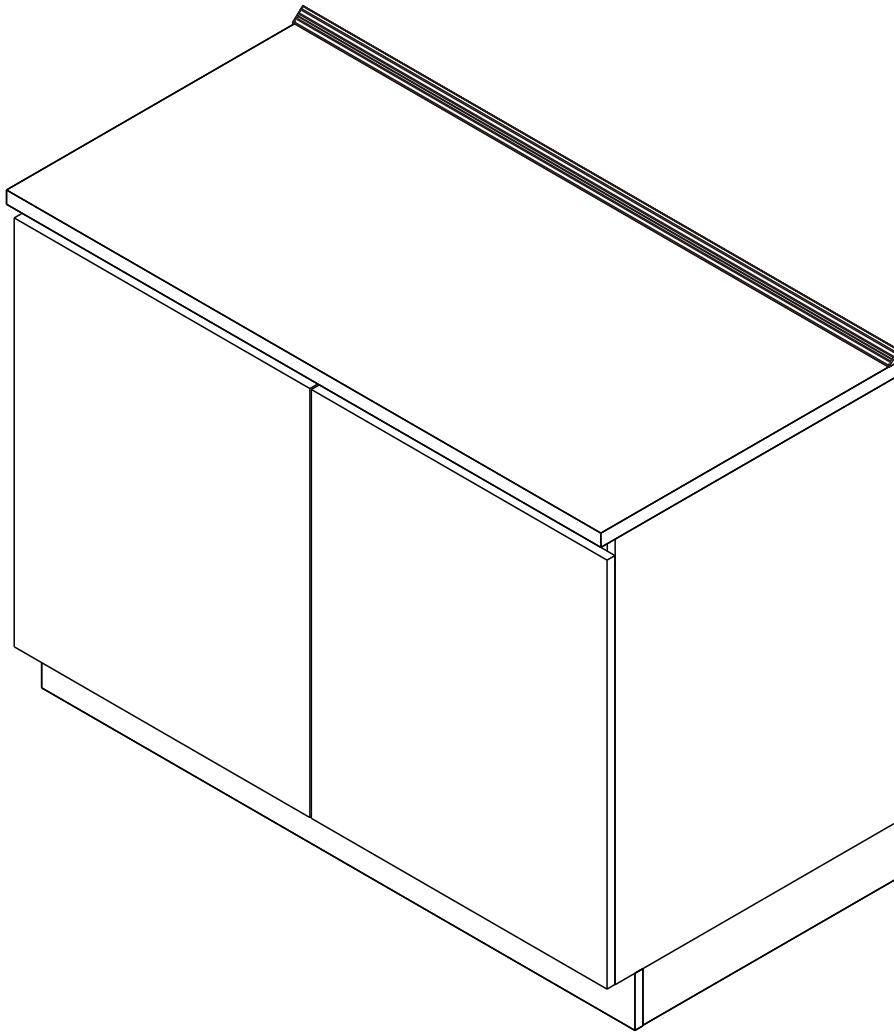


TERTRIZ

BASE CABINET 120CM.



CONNECT SYSTEM

1

3

2

(Connecting bolts)

WHEN FITTING CAMS
ENSURE STARTING POSITION IS CORRECT
BEFORE YOU INSERT CONNECTING BOLT
TURN CLOCKWISE UNTIL SECURE

✓				✗
↑	CORRECT	WRONG		

M4x16mm.

i

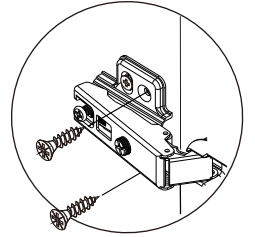
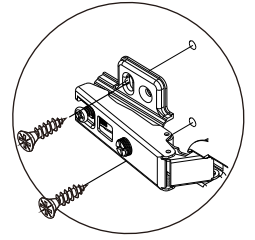
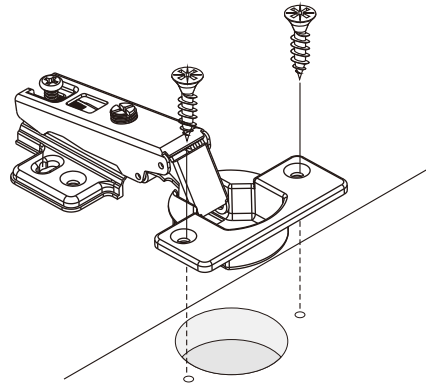
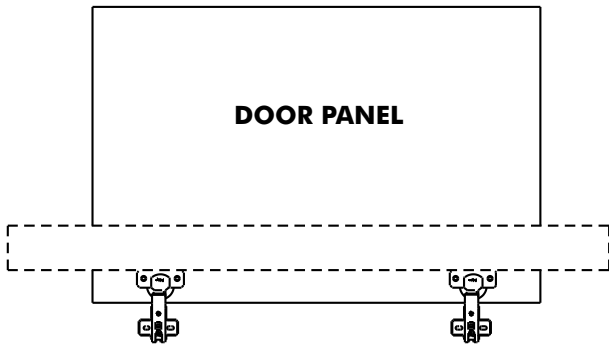
40mm.

EQ

M4x16mm.

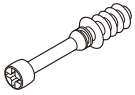


M4x16mm.



HARDWARE

-BODY SET

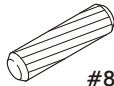


x 4



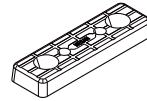
15mm.

x 4



#8x35

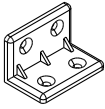
x 6



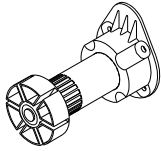
x 7



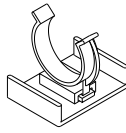
x 8



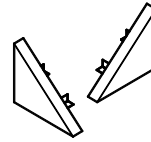
x 14



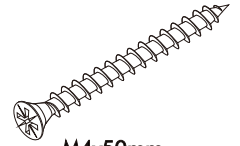
x 6



x 7



x 2



M4x50mm.

x 4



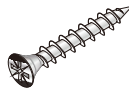
M4x16mm.

x 94



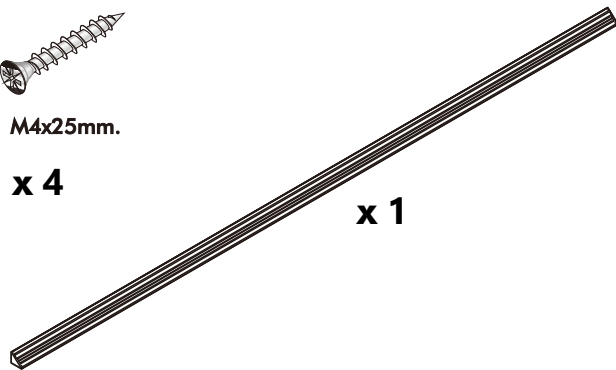
M4x16mm.

x 14



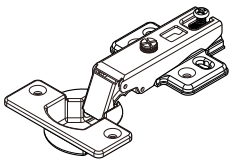
M4x25mm.

x 4



x 1

-DOOR SET



x 4



M4x16mm.

x 24

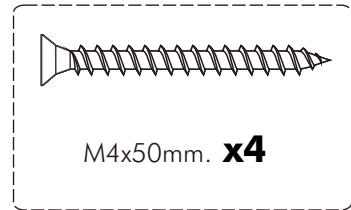
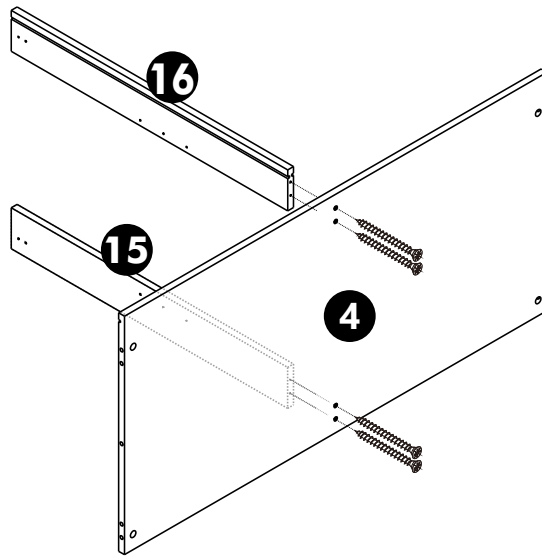


x 4

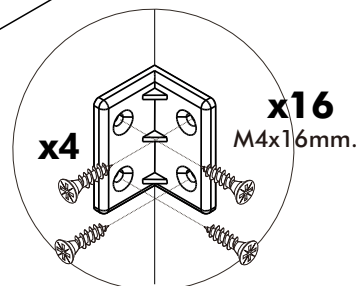
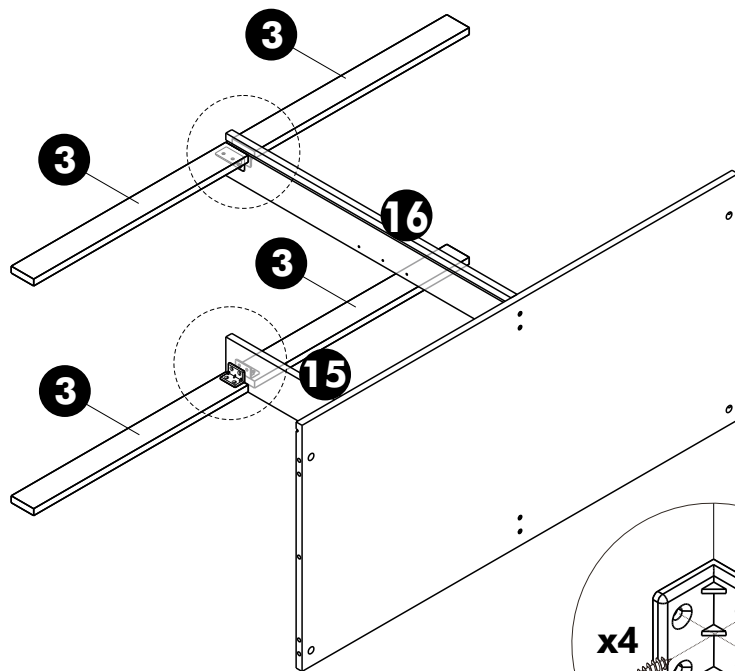
ASSEMBLY

-BODY SET

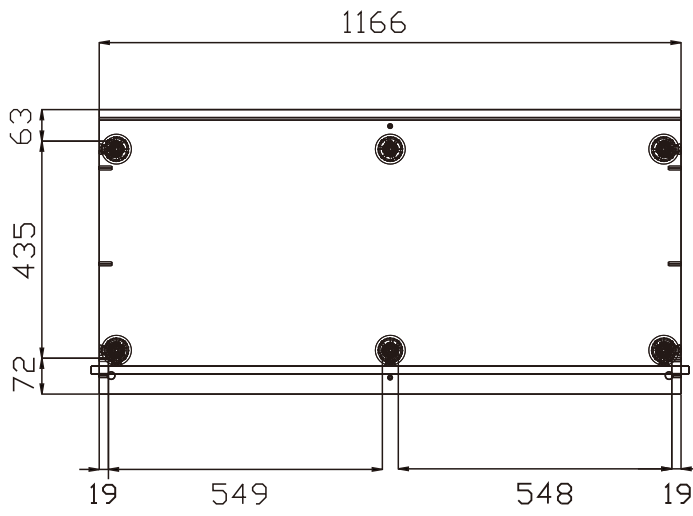
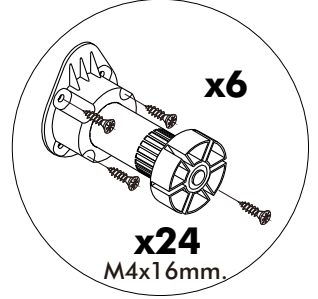
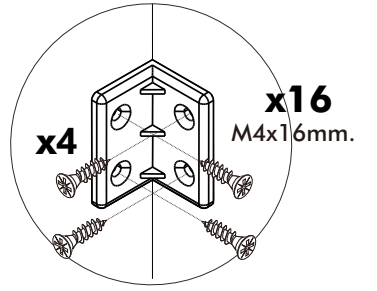
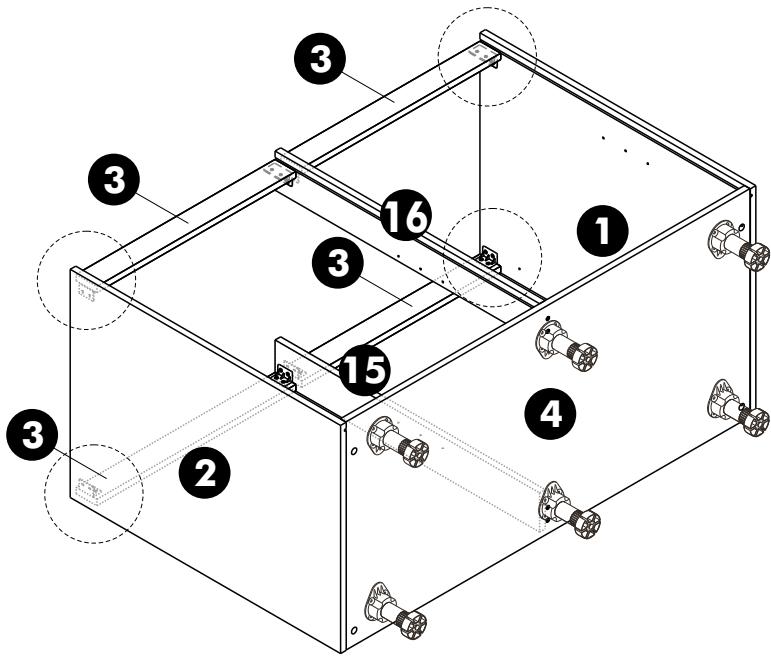
1.



2.

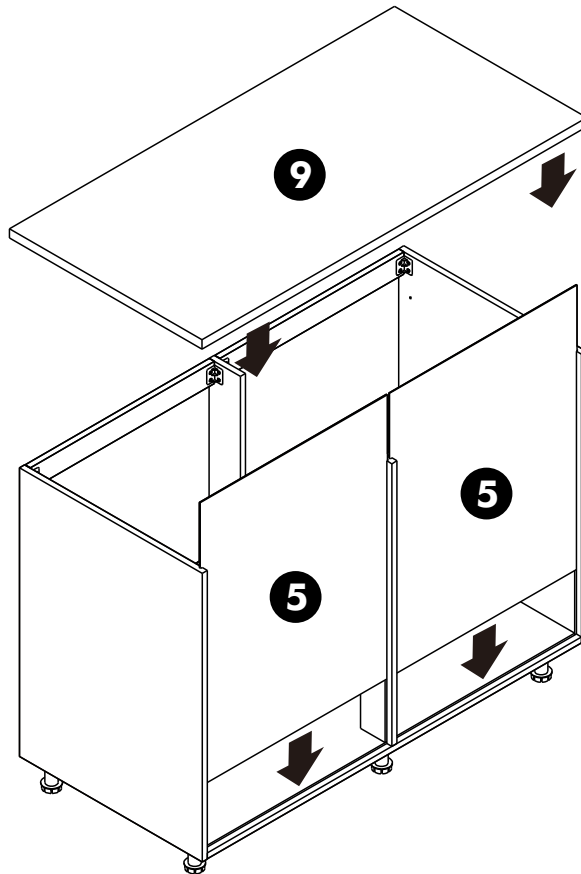


3.



DETAIL:

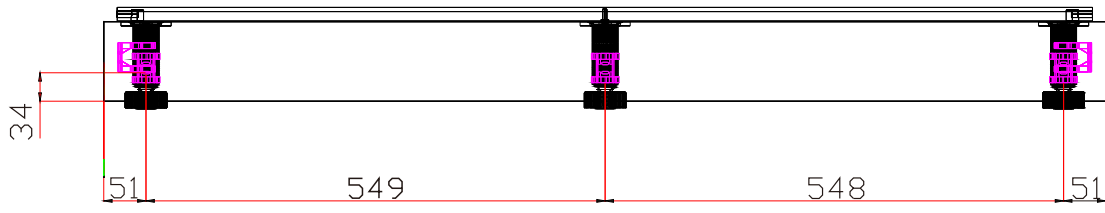
4.



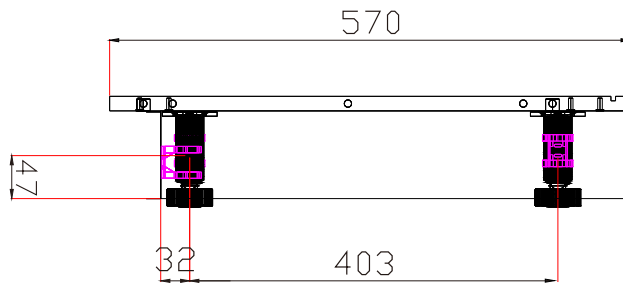
6

5.

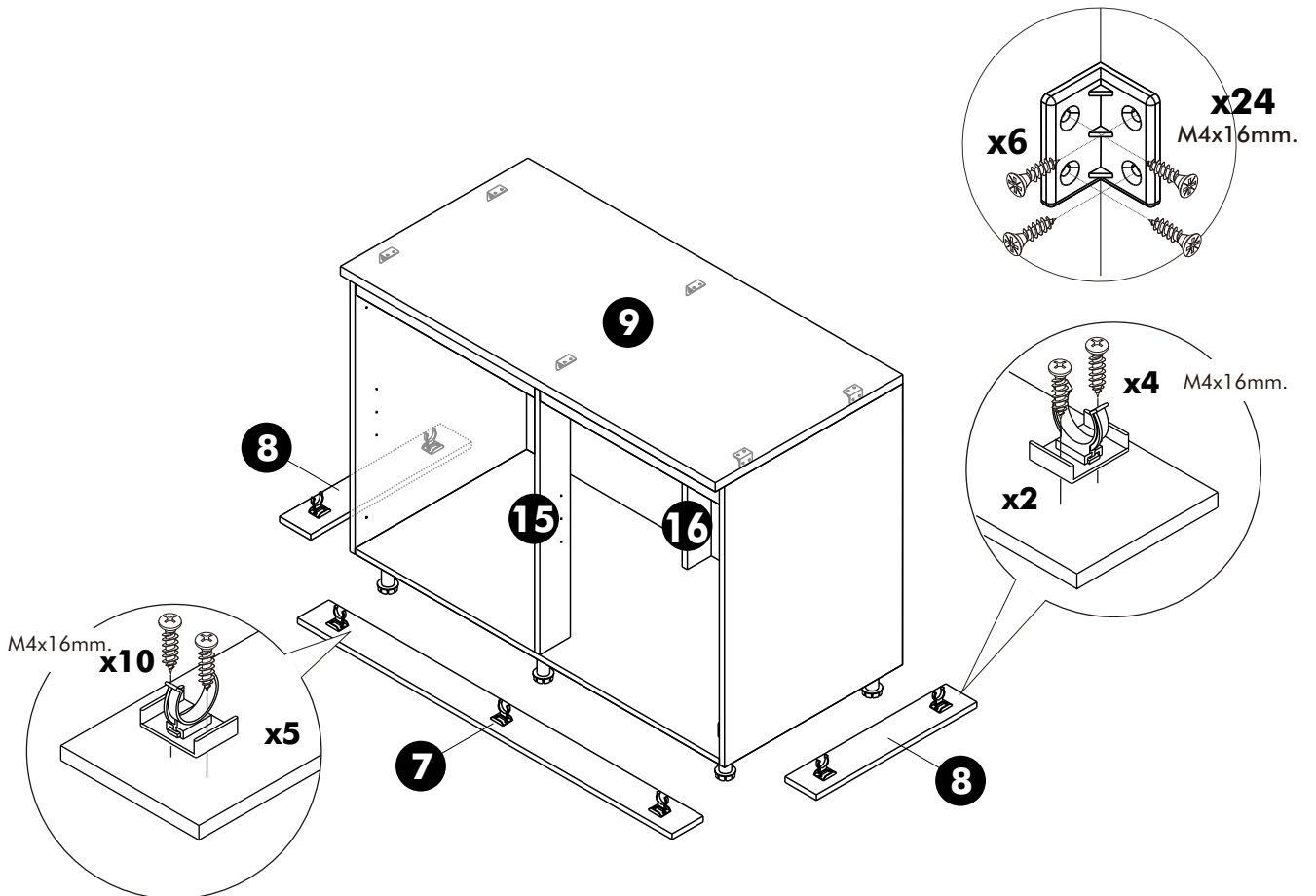
FRONT



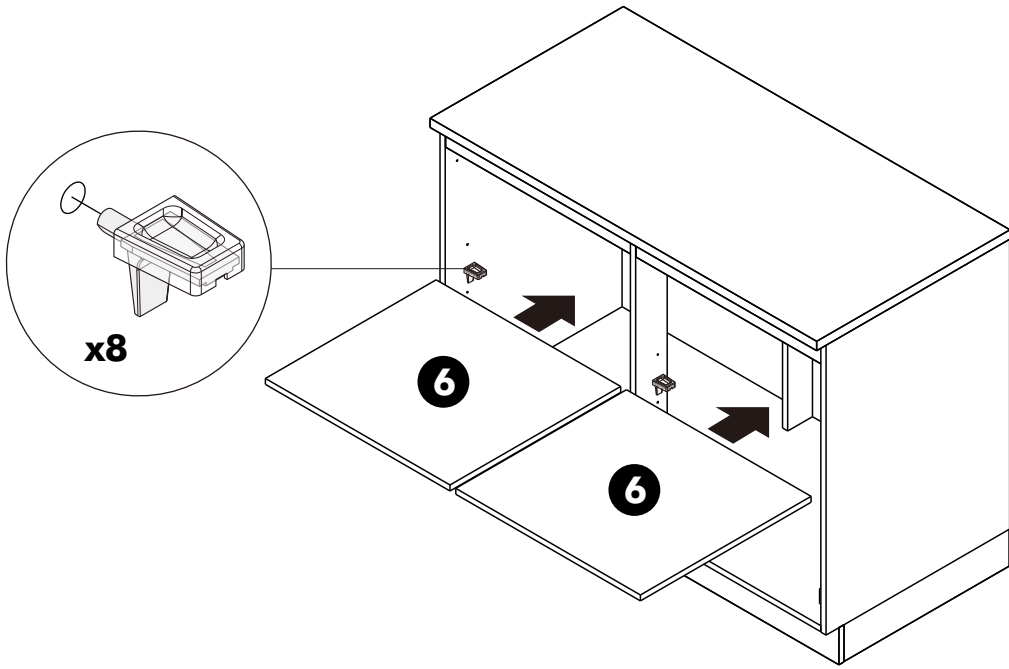
SIDE R+SIDE L



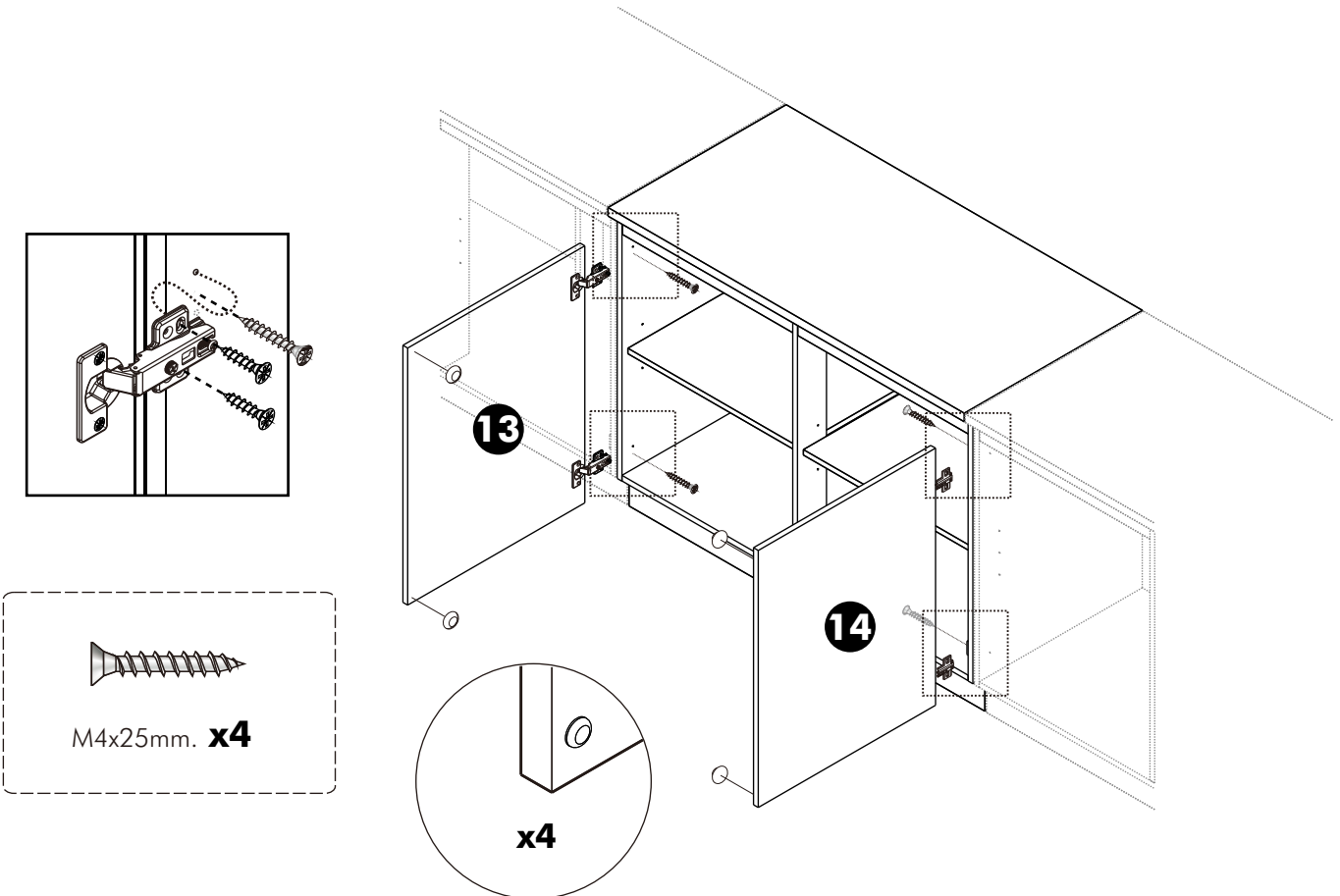
6.



7.

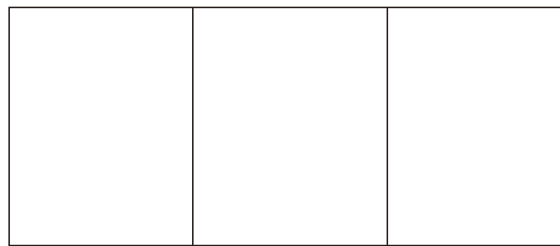
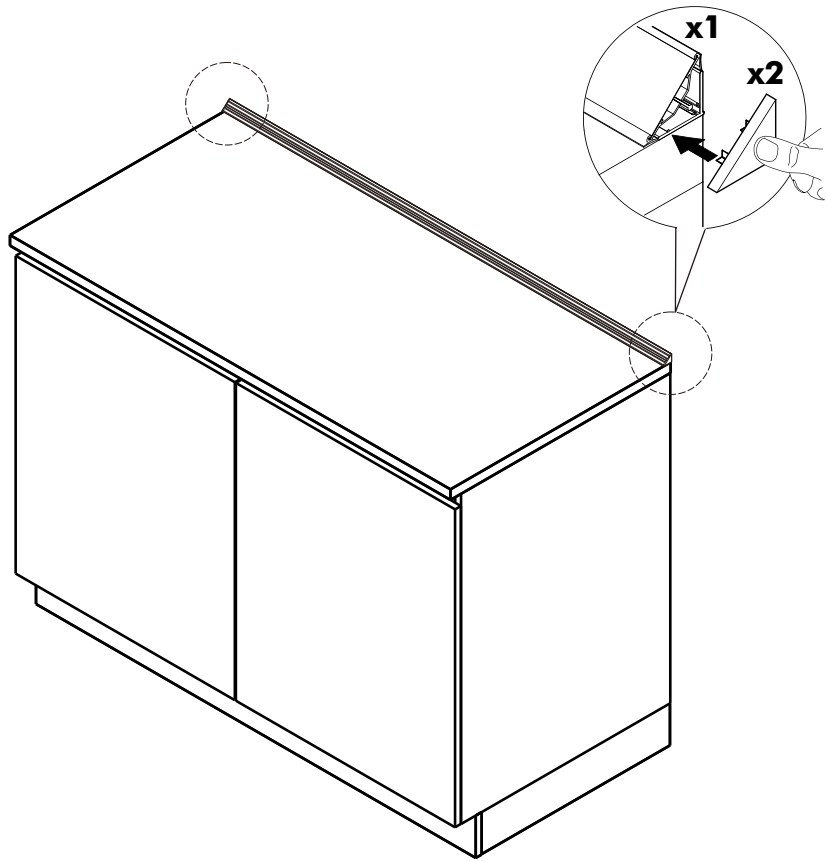


8



8

9.



600mm.

