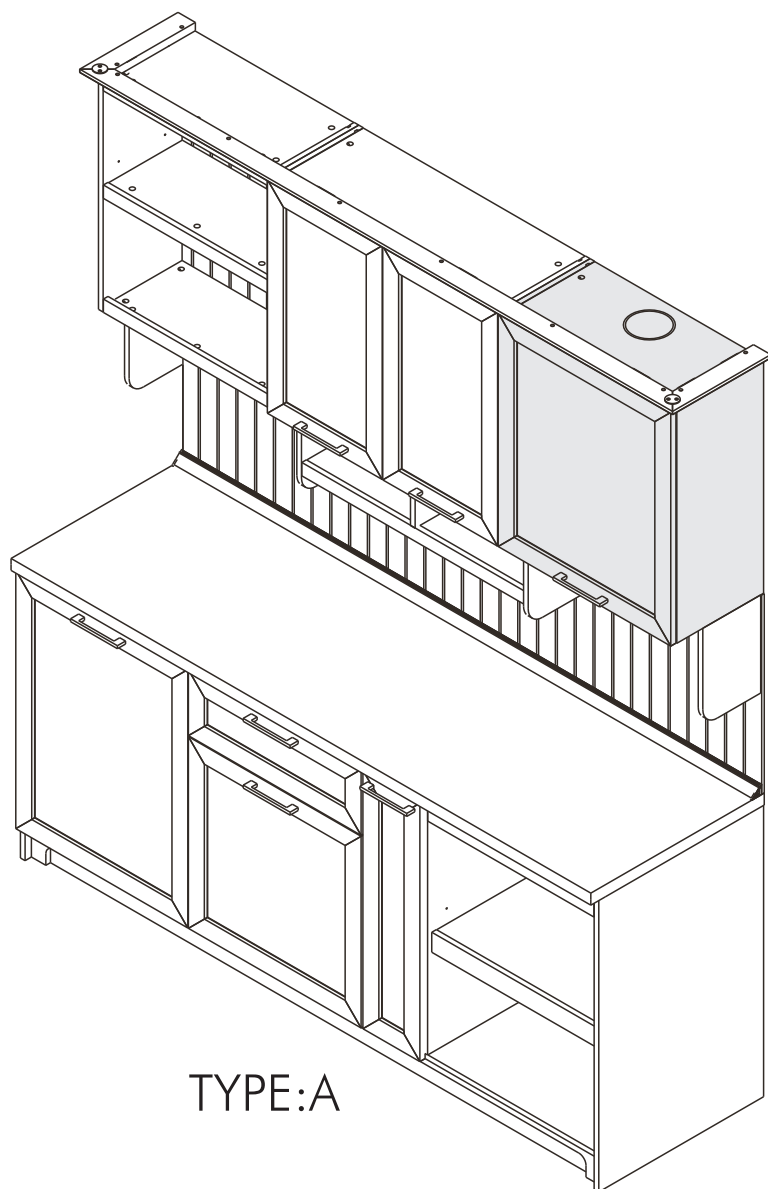
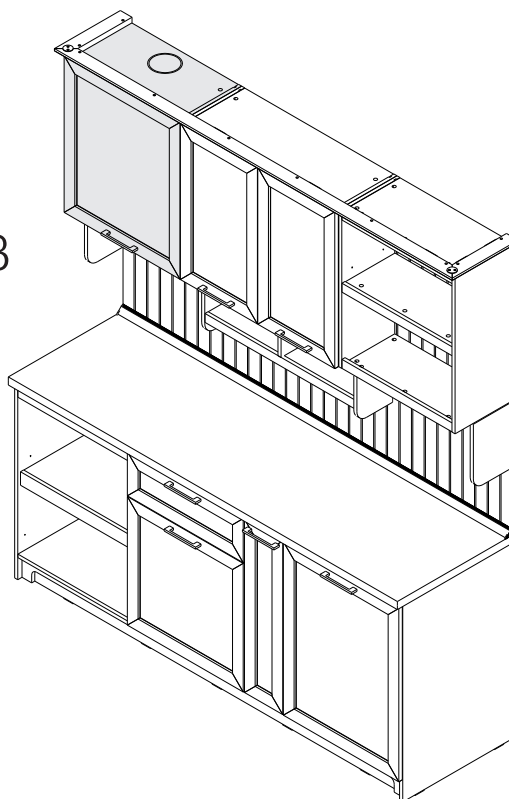


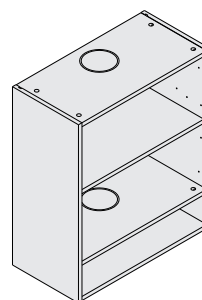
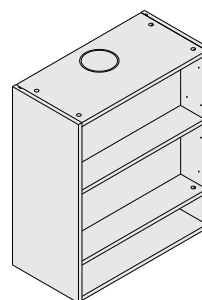
LYNSY

Kitchen Compact 2M

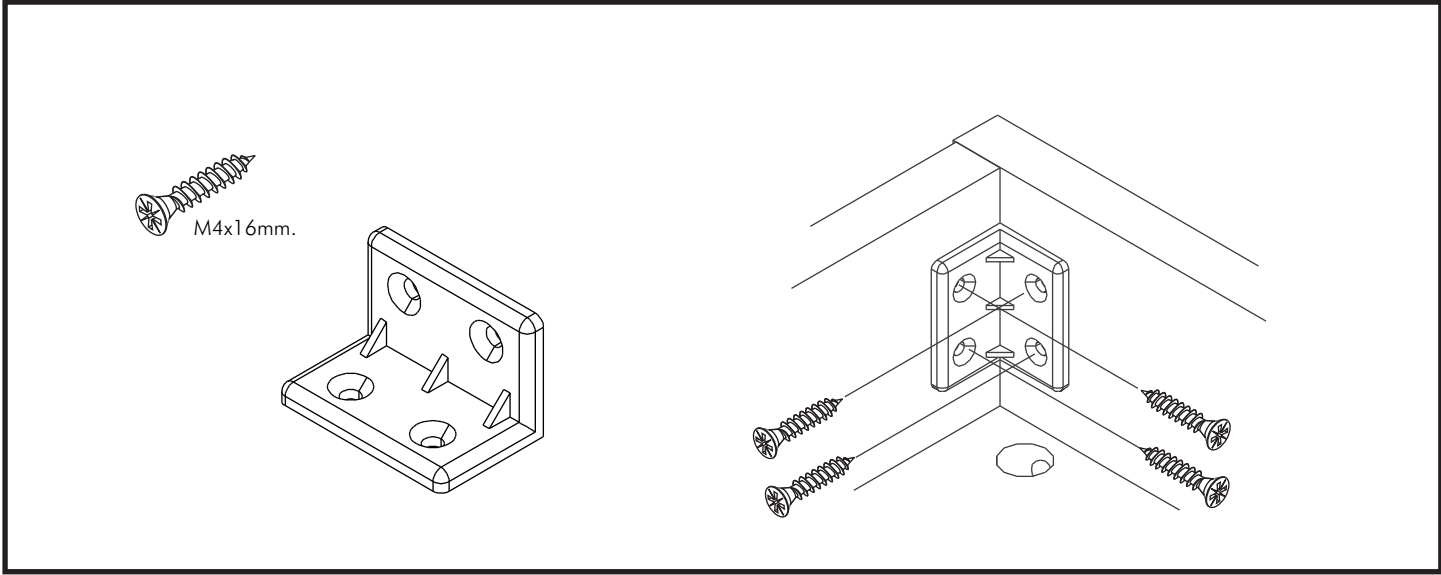
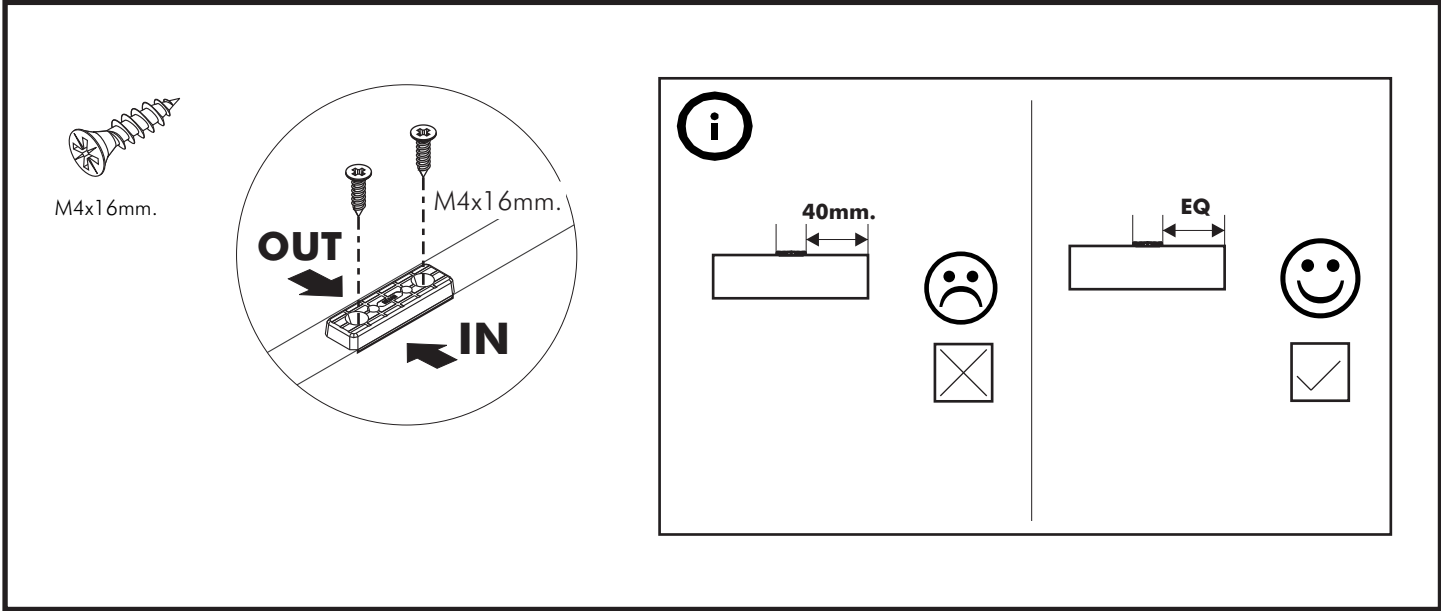
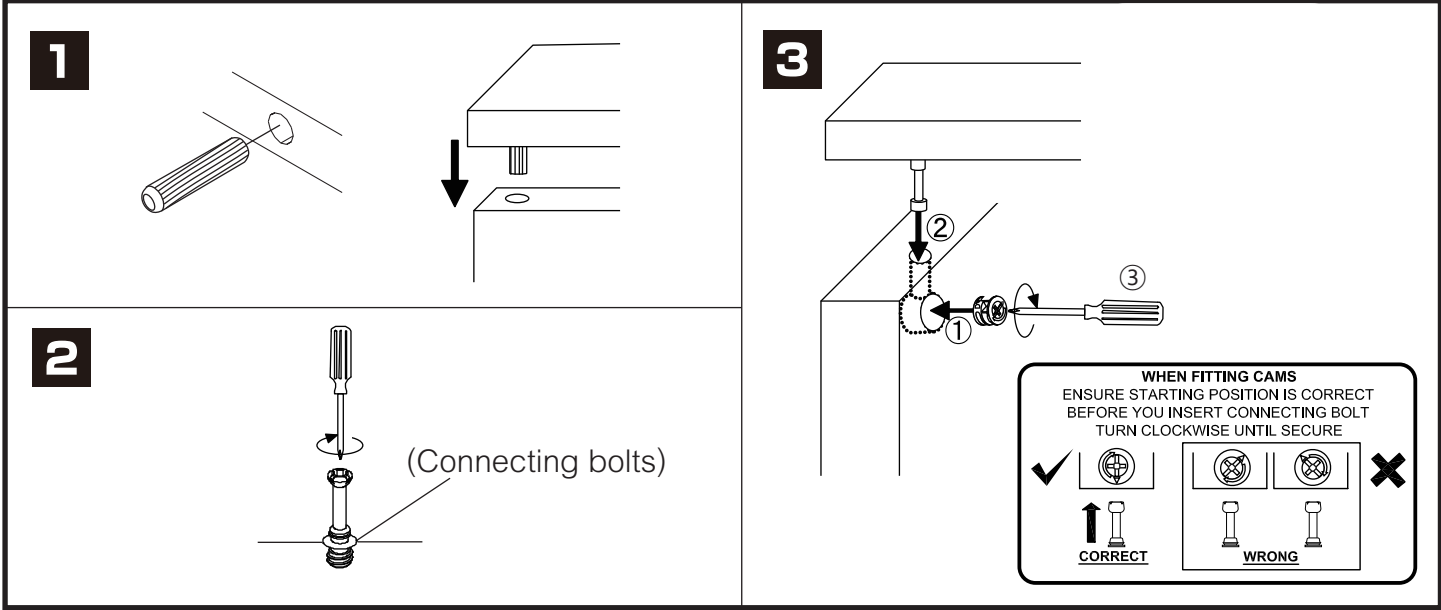
TYPE:B



TYPE:A



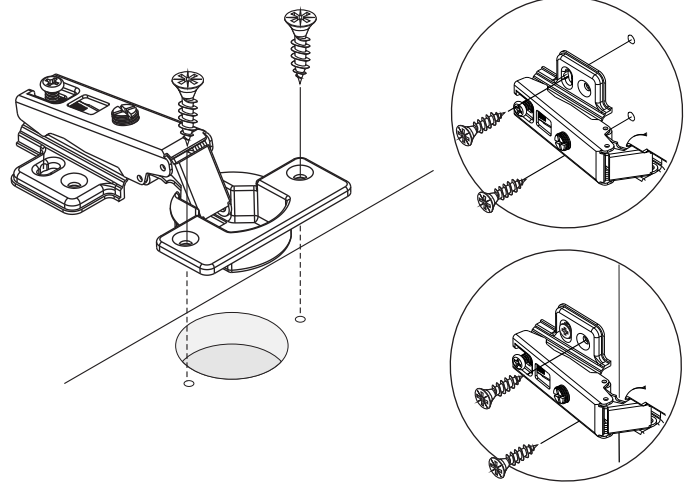
CONNECT SYSTEM





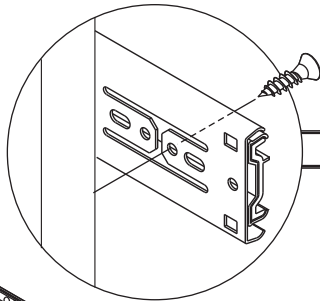
M4x16mm.

DOOR PANEL



M3.5x13mm.

1

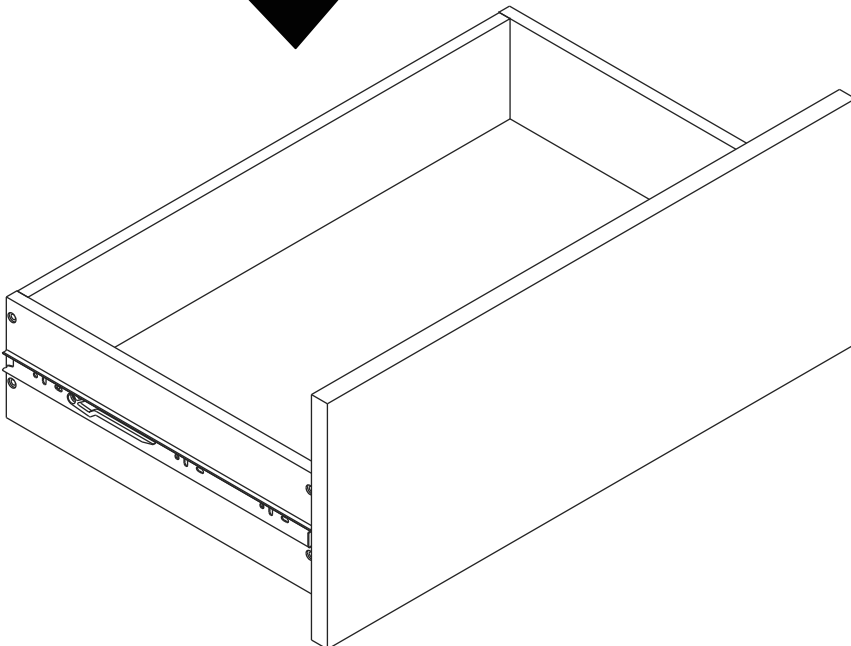
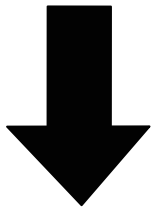
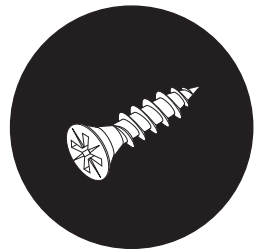
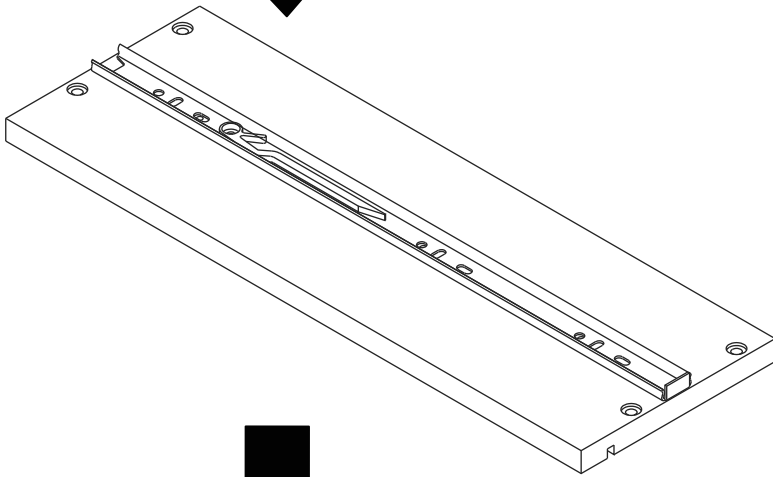
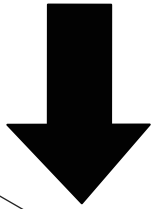
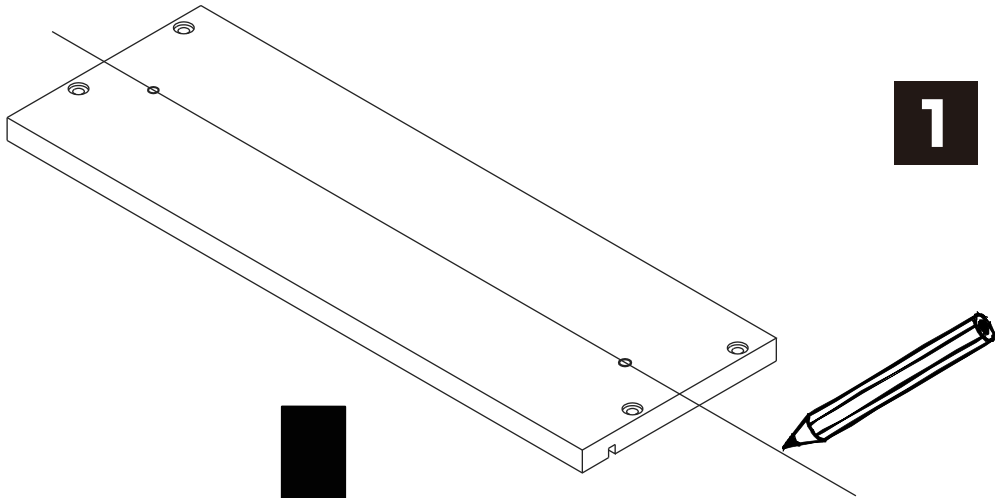


Use these holes

2

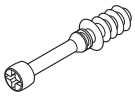


Use these holes



HARDWARE

-BODY SET

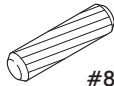


x 50



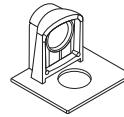
16mm.

x 50

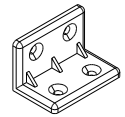


#8x35

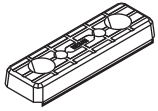
x 68



x 4



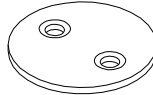
x 52



x 17



x 20

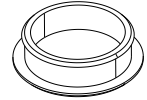


x 2



x 2

Ø 11mm.



x 6

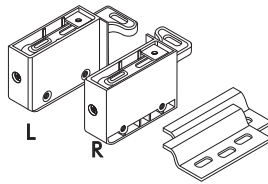
Ø 35mm.



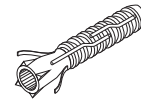
x 2



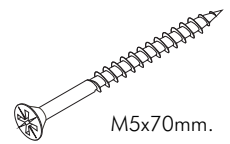
x 4



x 2

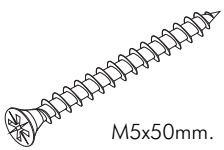


x 11



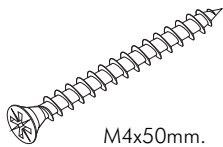
M5x70mm.

x 3



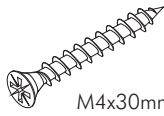
M5x50mm.

x 8



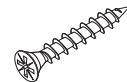
M4x50mm.

x 46



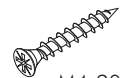
M4x30mm.

x 24



M4x25mm.

x 11



M4x20mm.

x 2



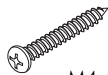
M4x16mm.

x 242



#6x3/8"(F)

x 4



M4x30mm.

x 4



M4x20mm.

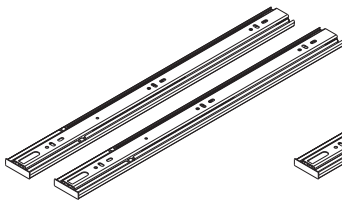
x 8



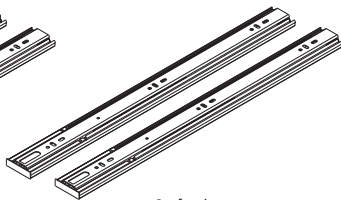
M4x10mm.

x 4

-DRAWER SET



x 1



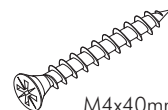
Soft close

x 1



M3.5x13mm.

x 24



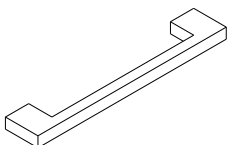
M4x40mm.

x 10



M6x23

x 4

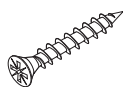


x 1



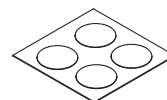
M4x25mm.

x 2



M4x25mm.

x 5



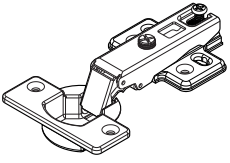
x 4



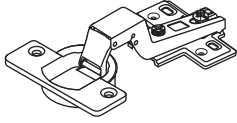
x 4

HARDWARE

-DOOR SET



x 8



x 2

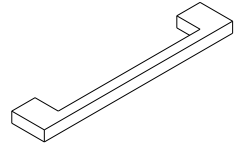


x 8



M4x16mm.

x 60



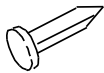
x 6



M4x25mm.

x 12

-LAMP SET



x 5

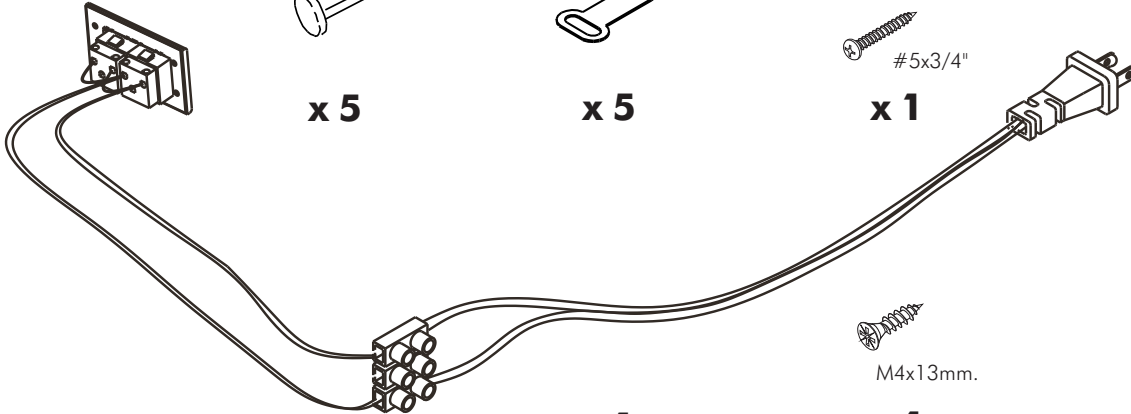


x 5



#5x3/4"

x 1

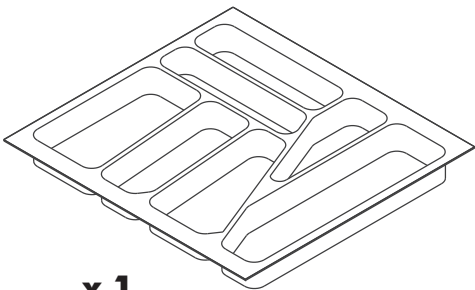


x 1

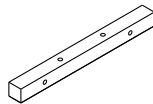


M4x13mm.

x 4

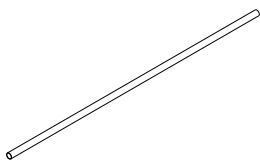


x 1

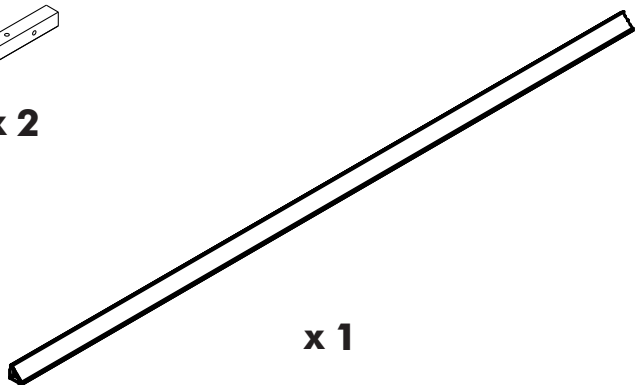


x 2

x 4



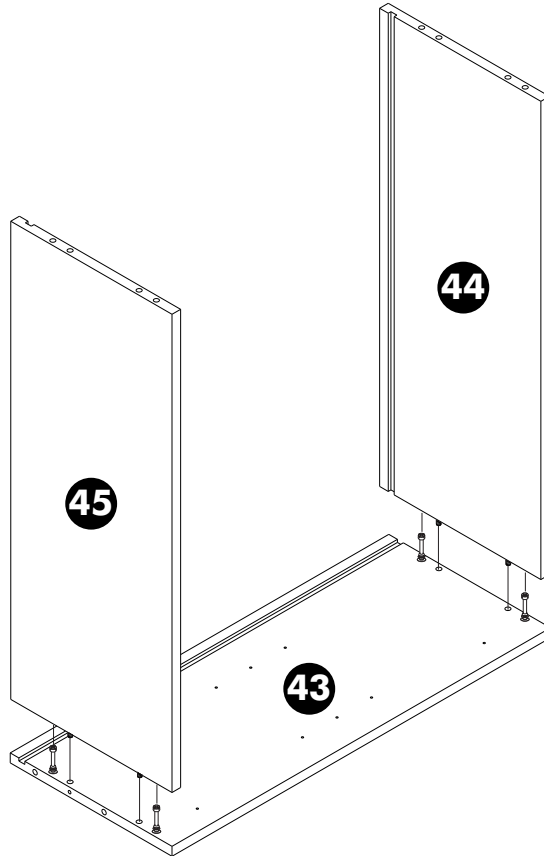
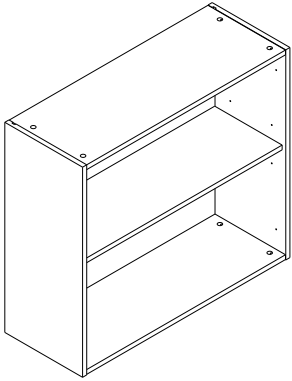
x 1



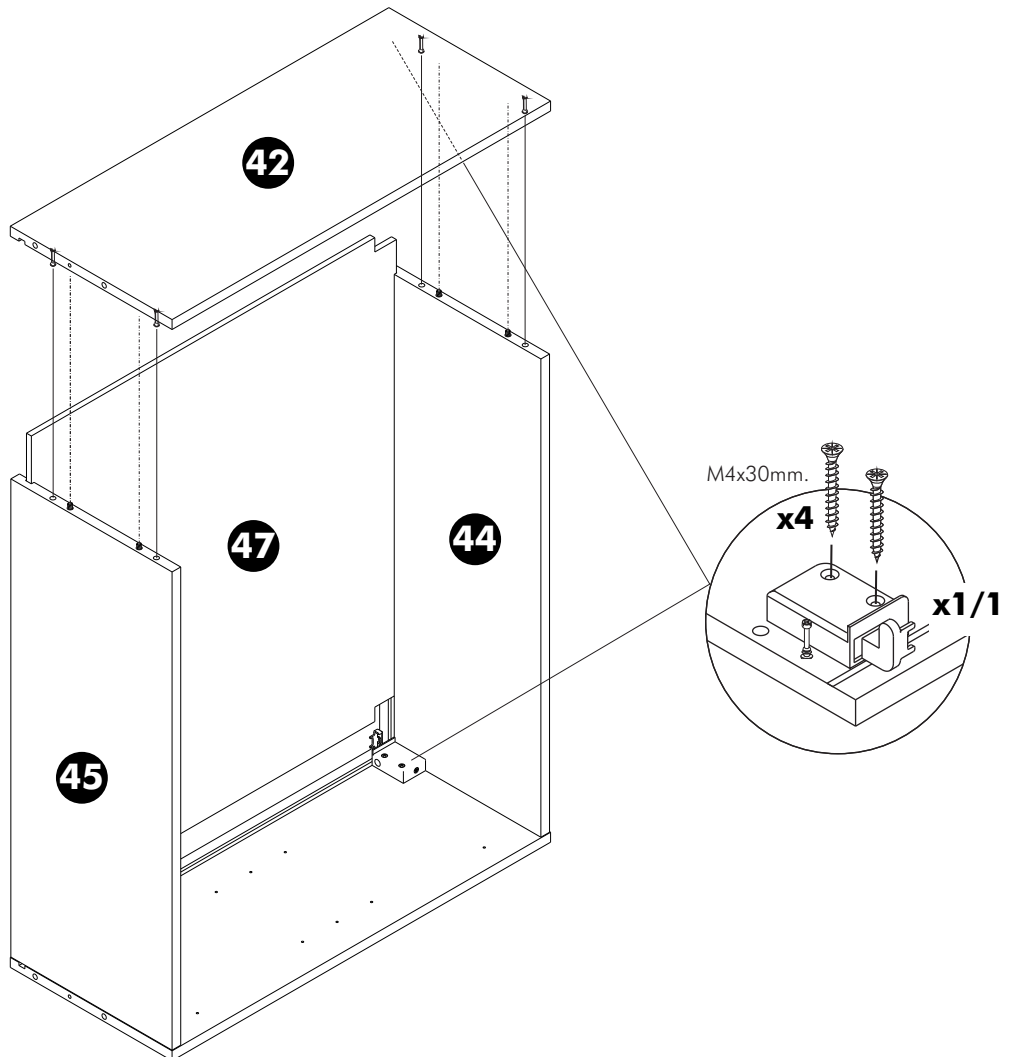
ASSEMBLY

-BODY SET

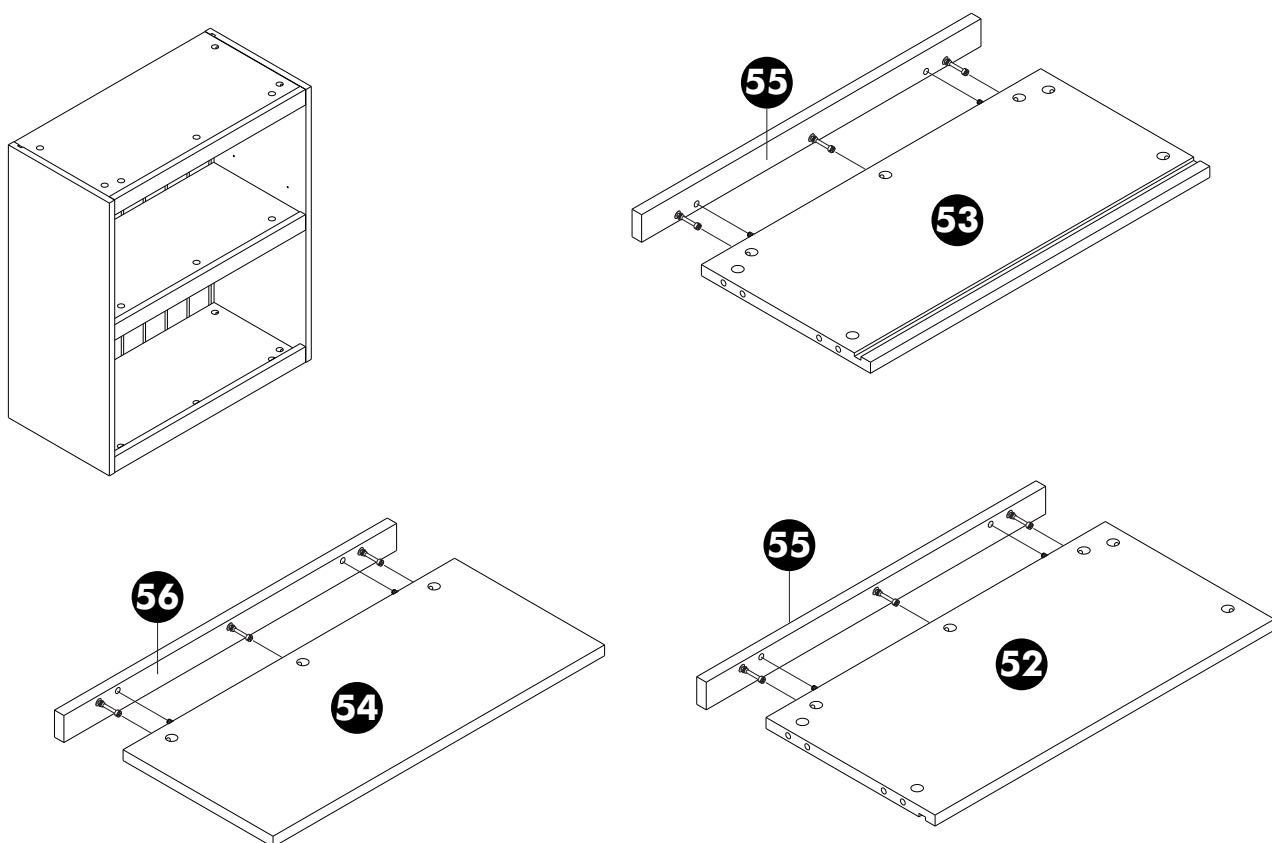
1. TYPE:A-B



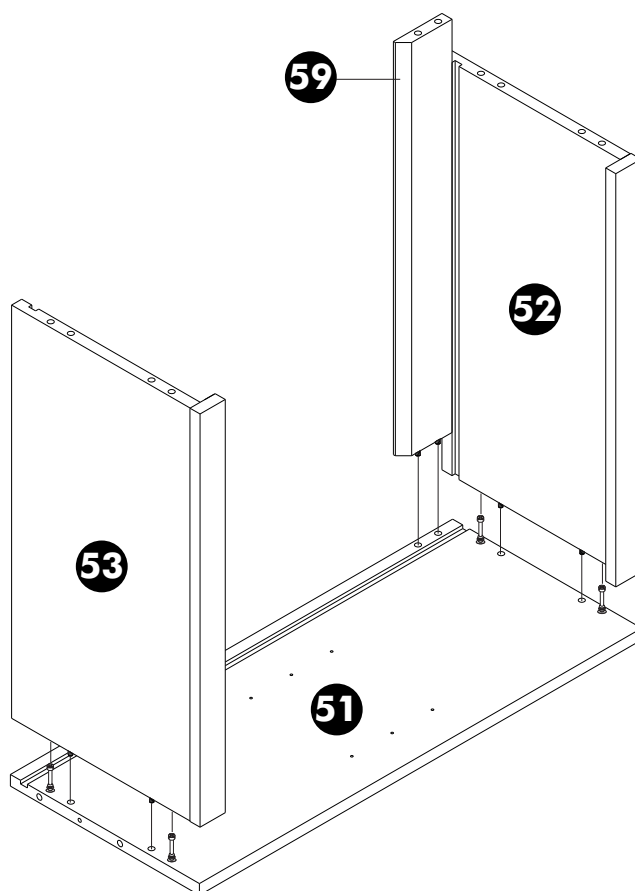
2.



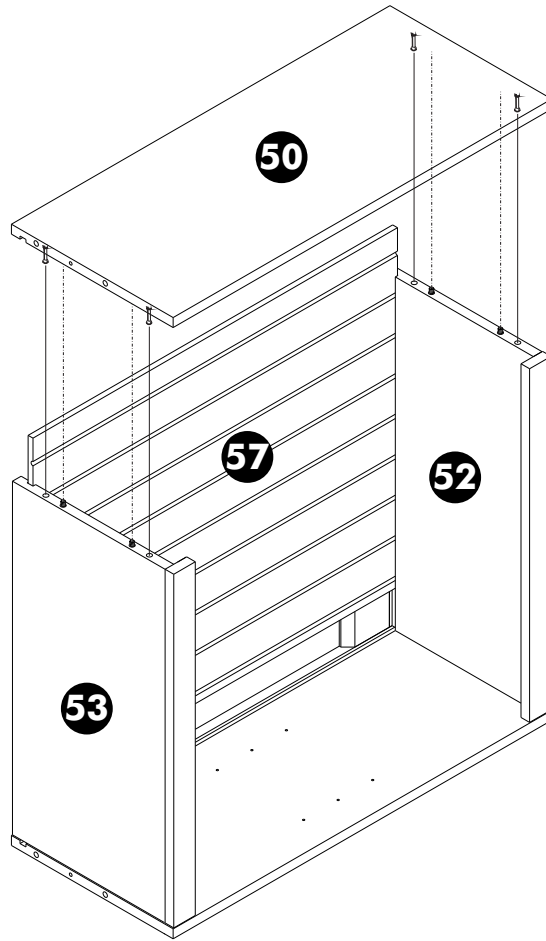
3. TYPE:A-B



4.

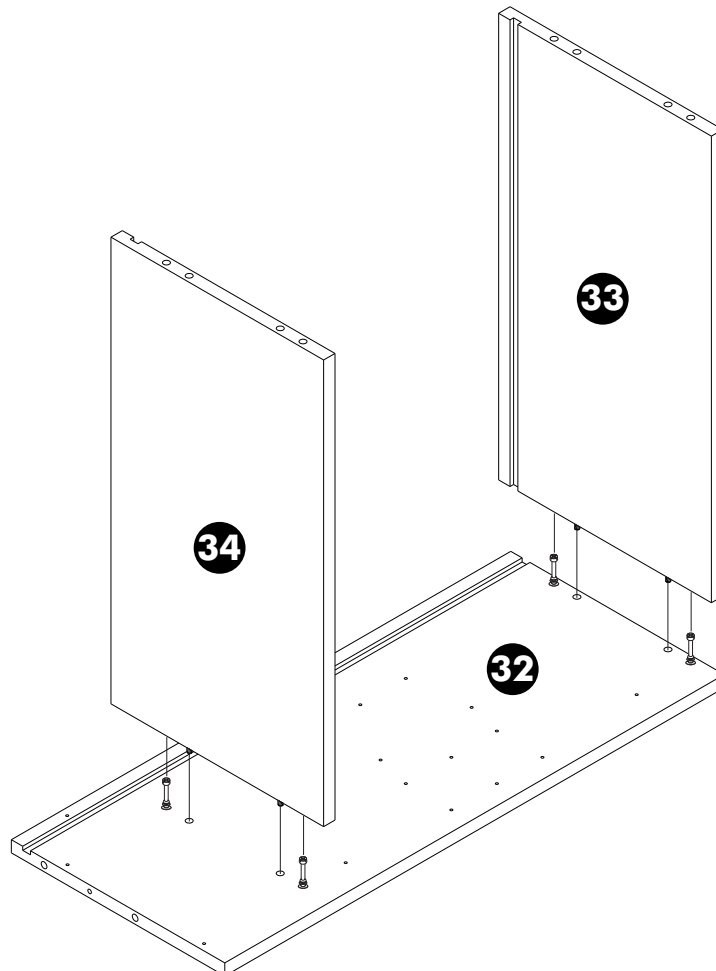
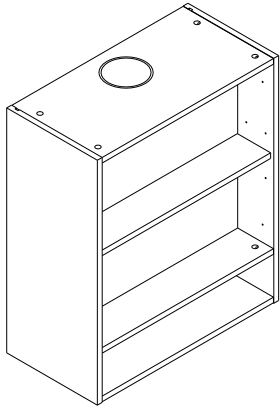


5. TYPE:A-B

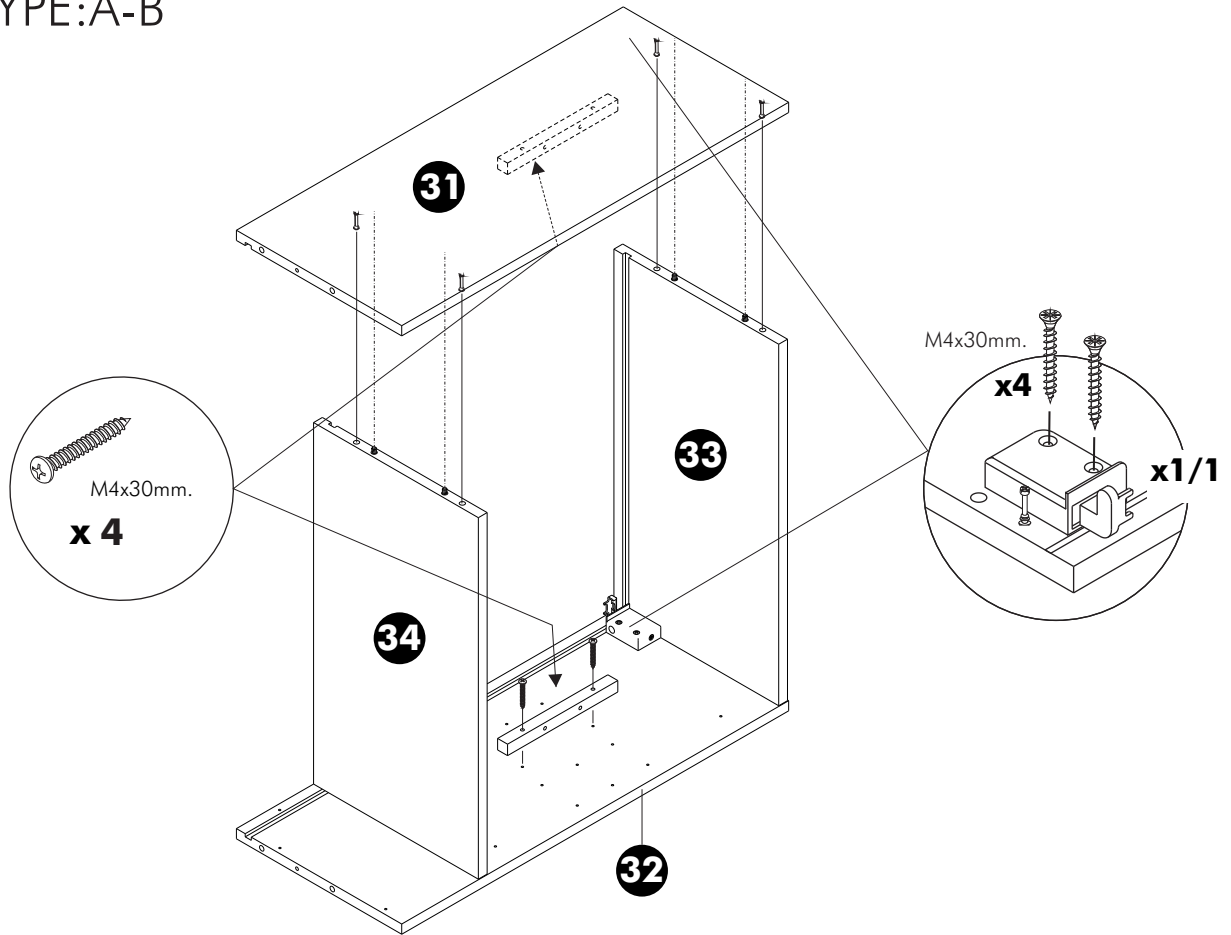


6. TYPE:A-B

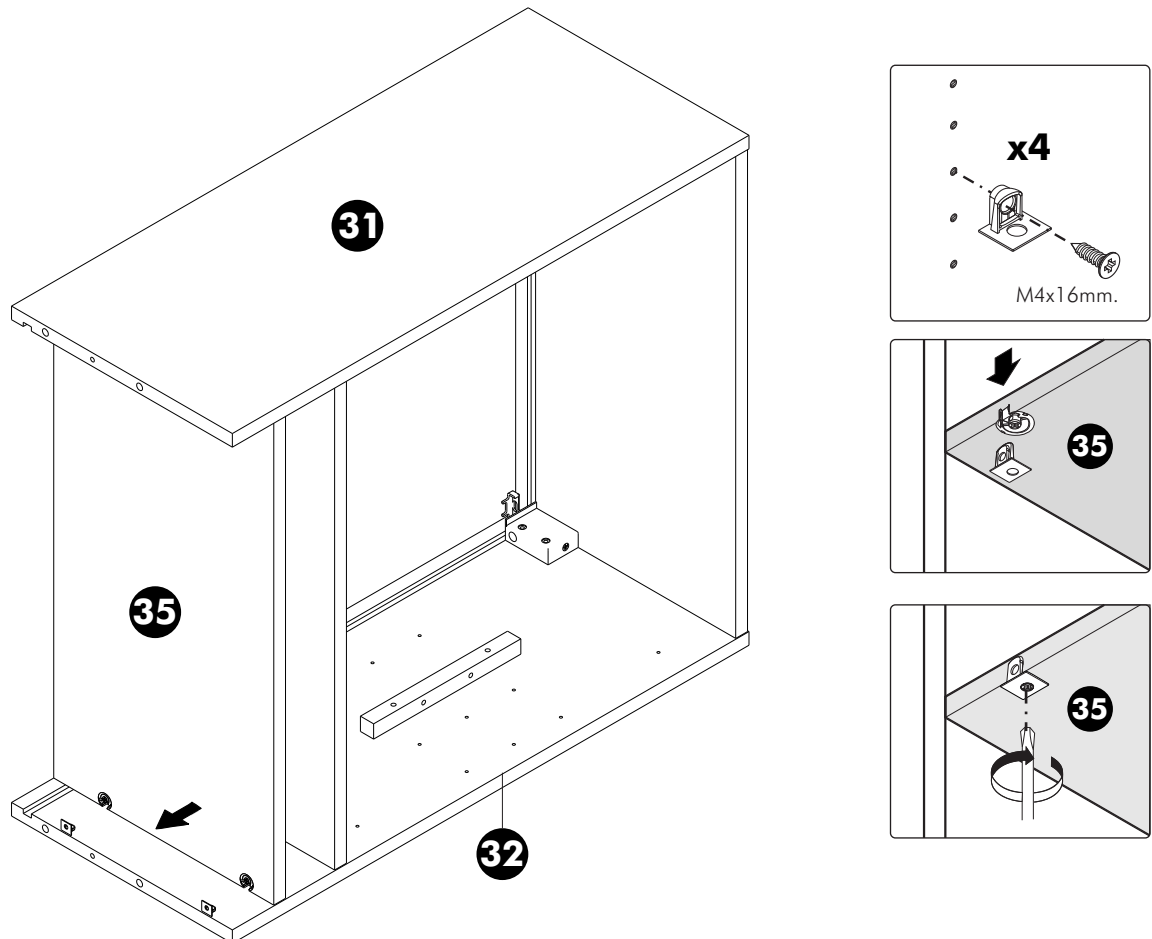
รูปแบบที่ 1-A



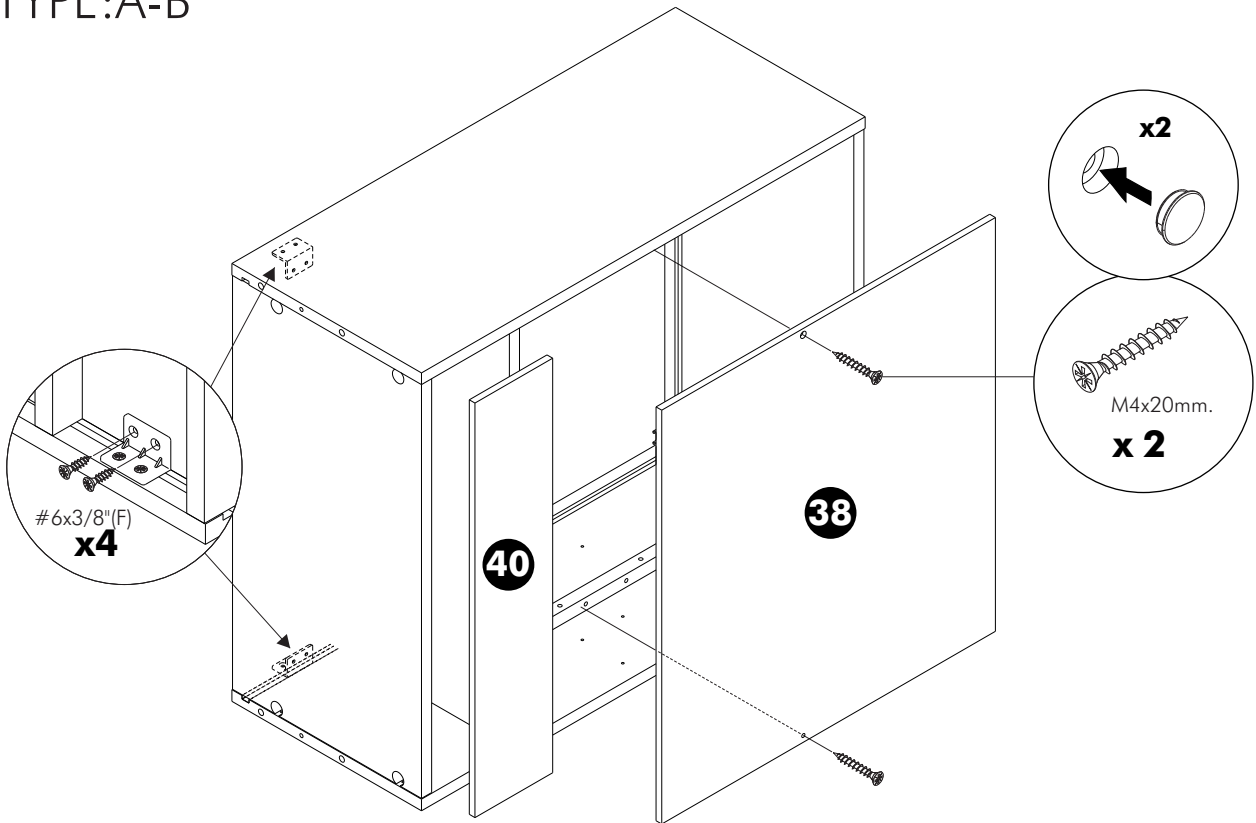
7. TYPE:A-B



8. TYPE:A-B

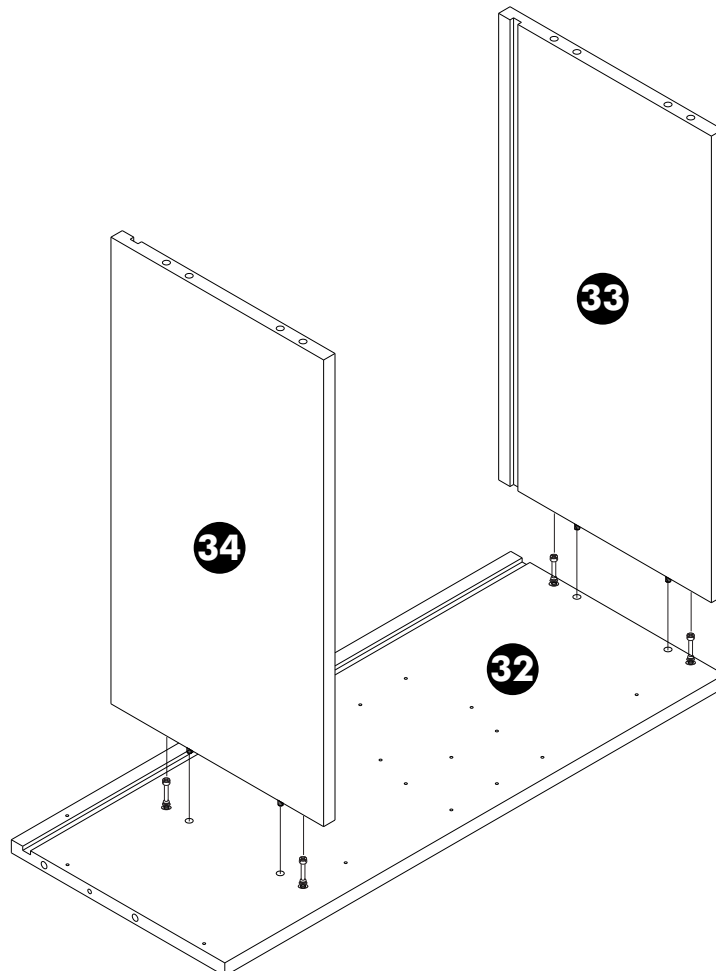
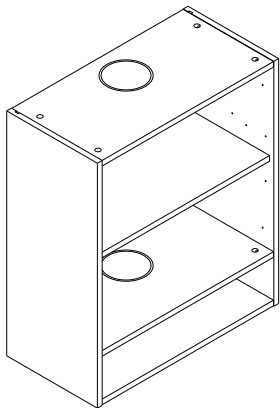


9. TYPE:A-B

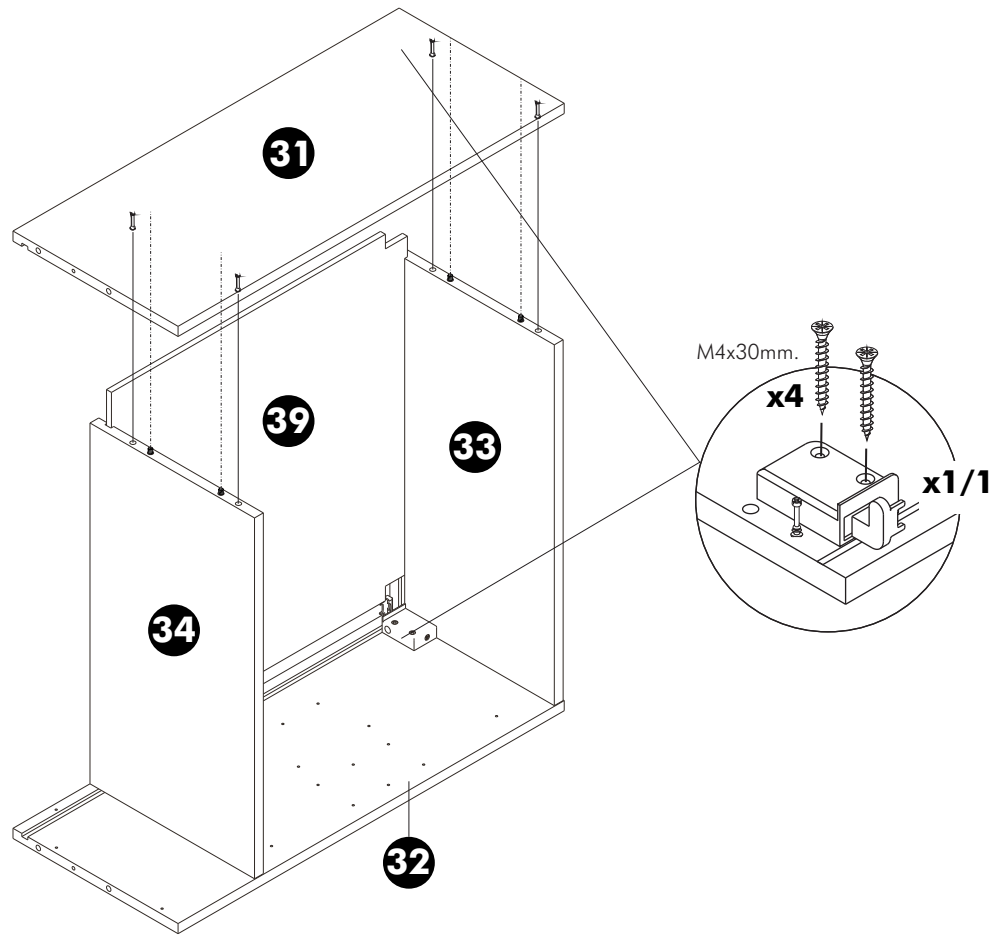


6. TYPE:A-B

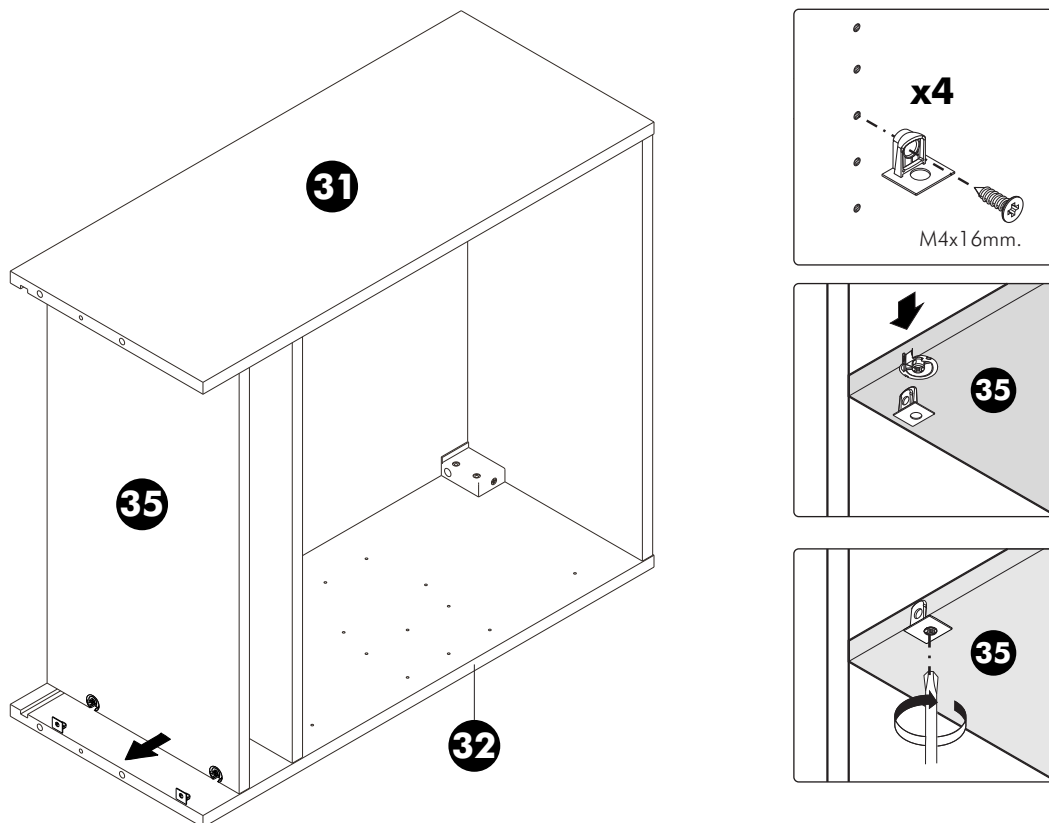
รูปแบบที่ 2-B



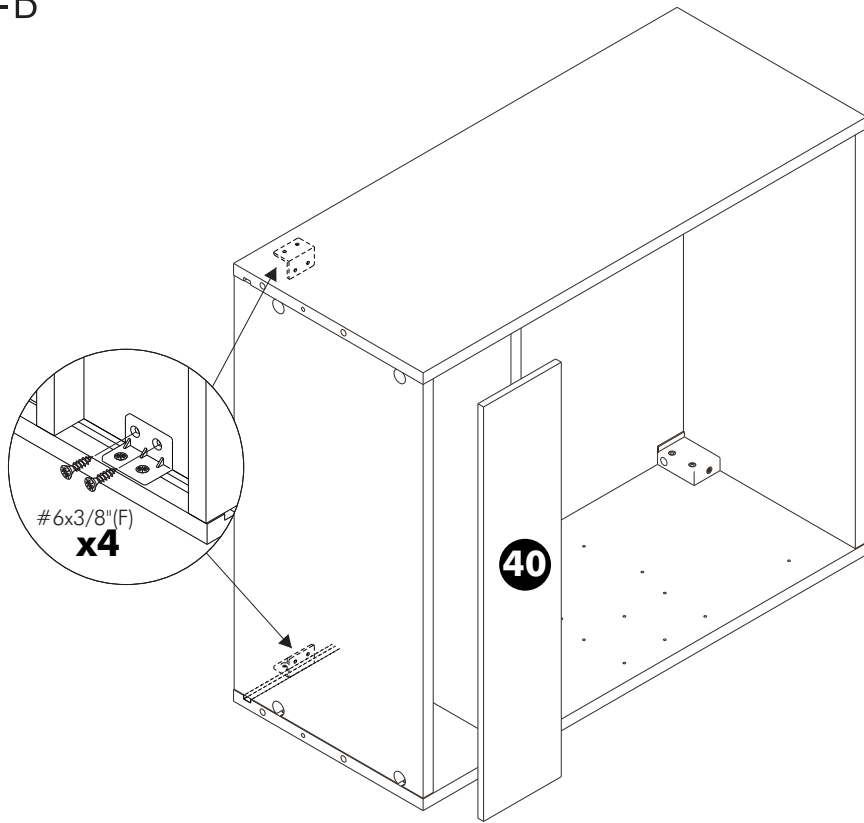
7. TYPE:A-B



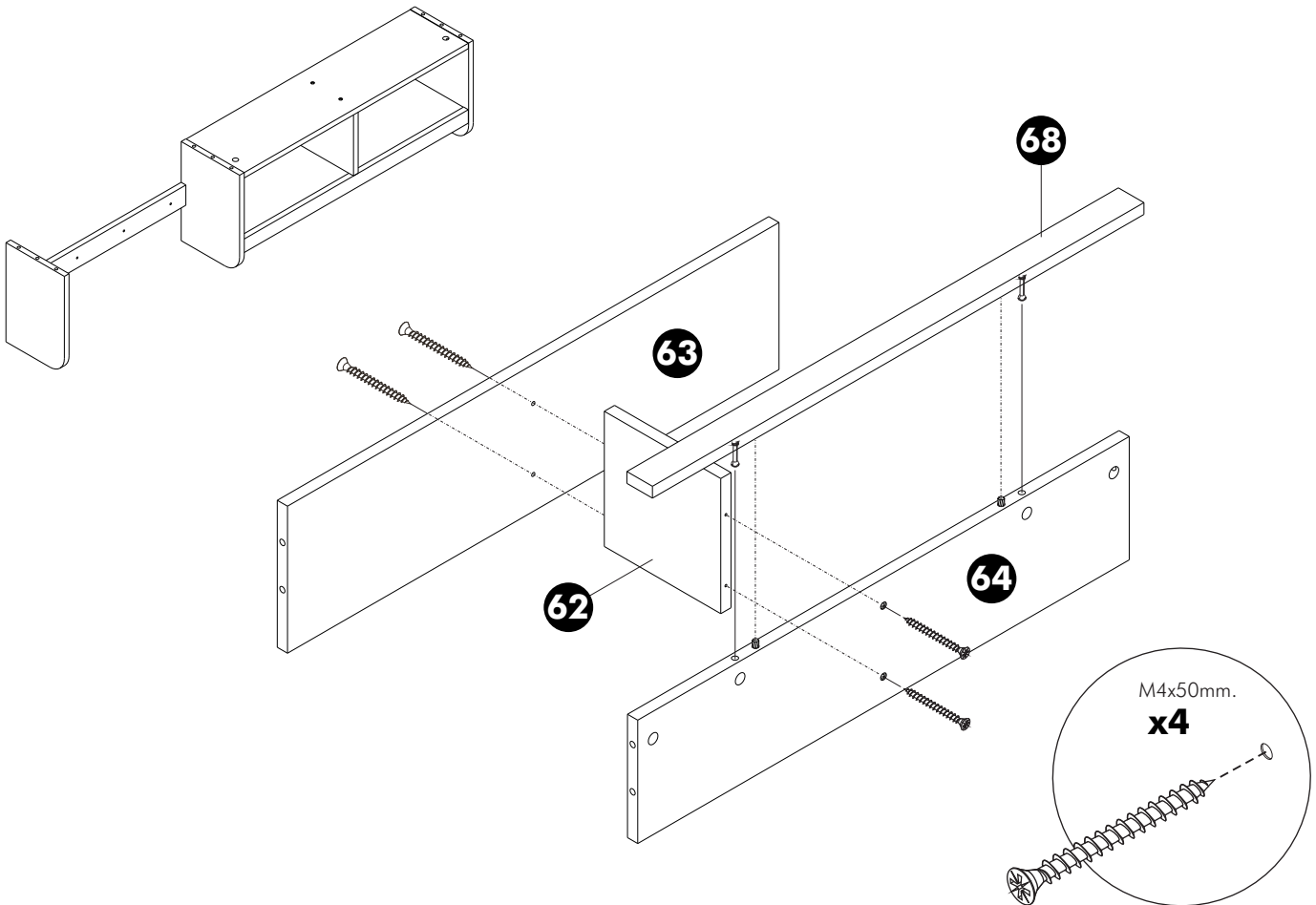
8. TYPE:A-B



9. TYPE:A-B

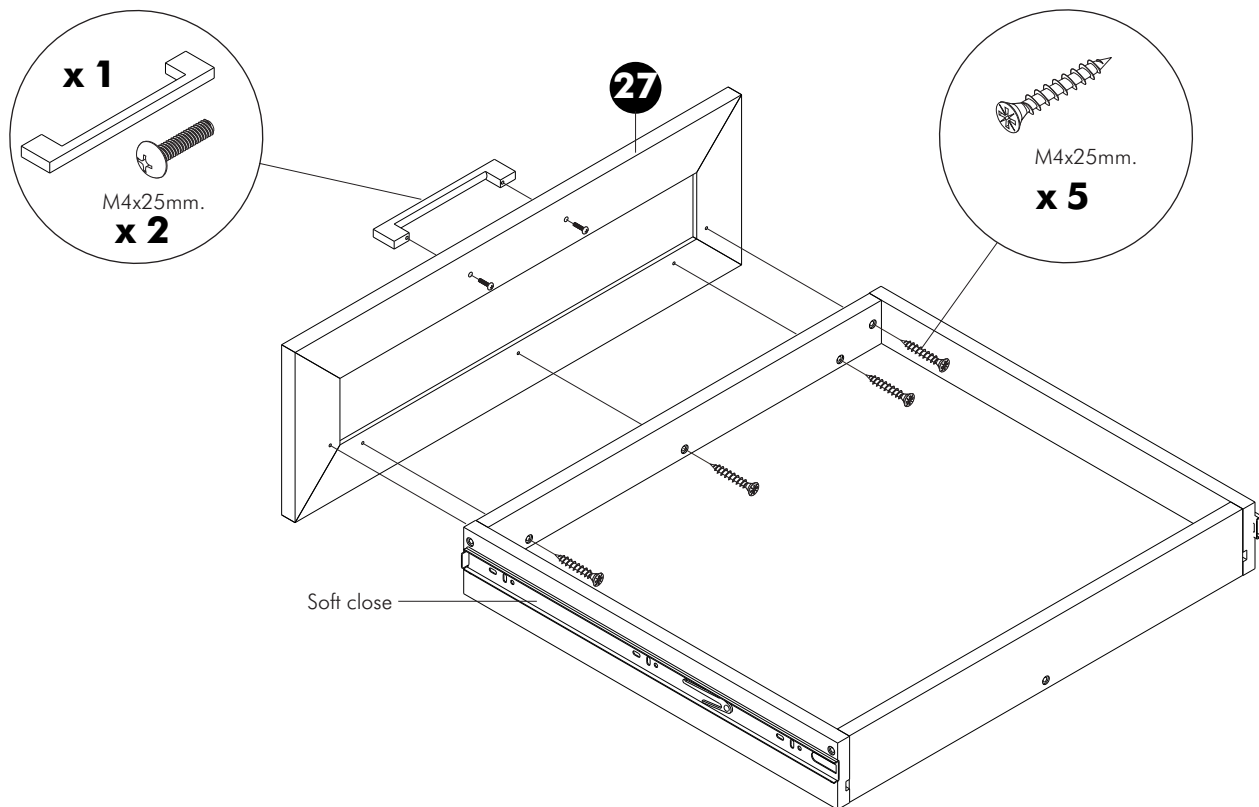
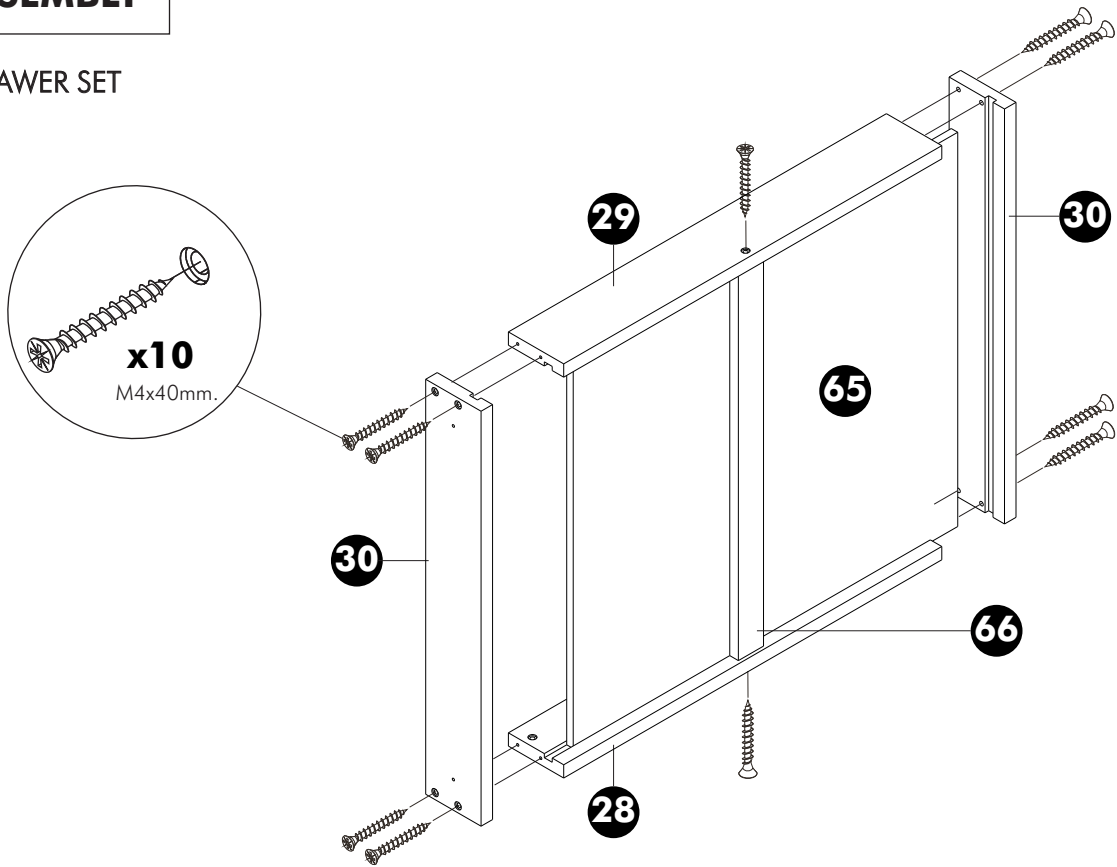


10.



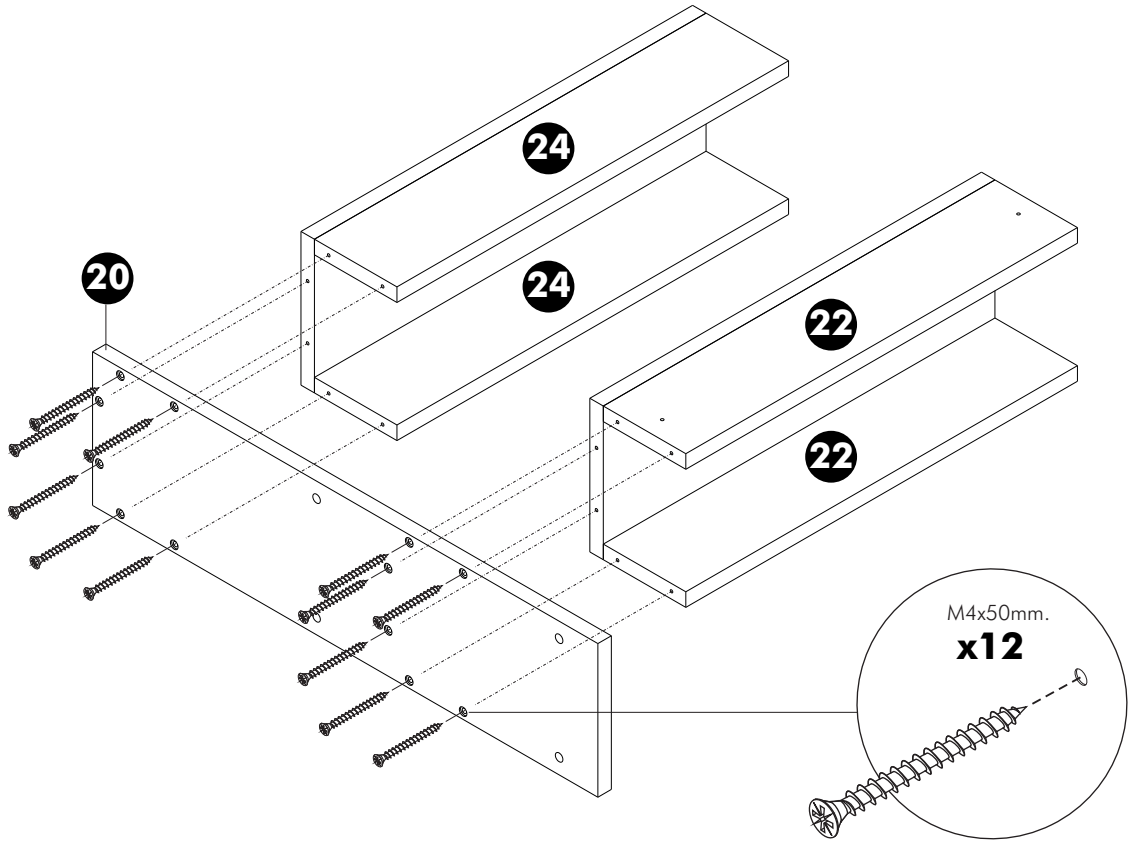
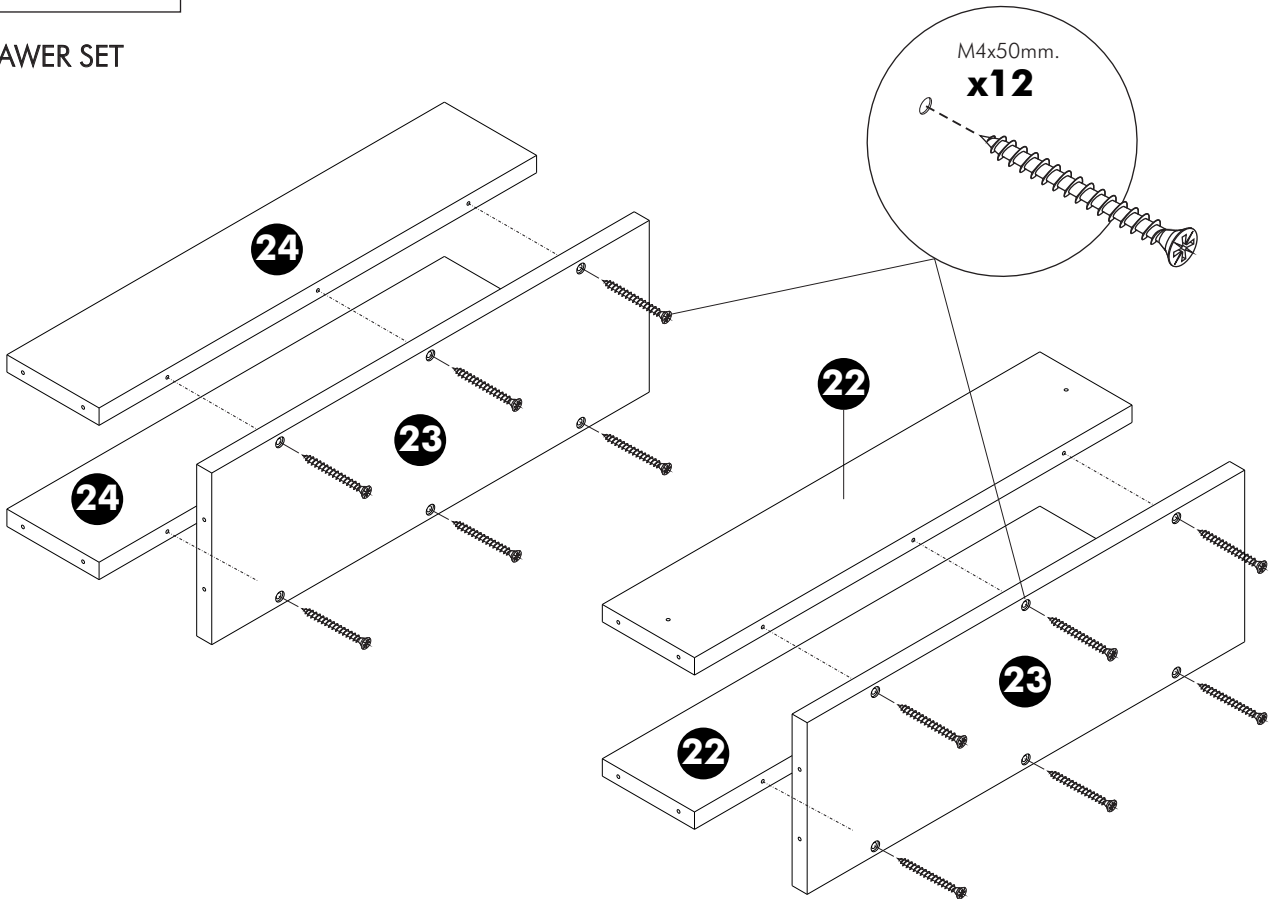
ASSEMBLY

-DRAWER SET



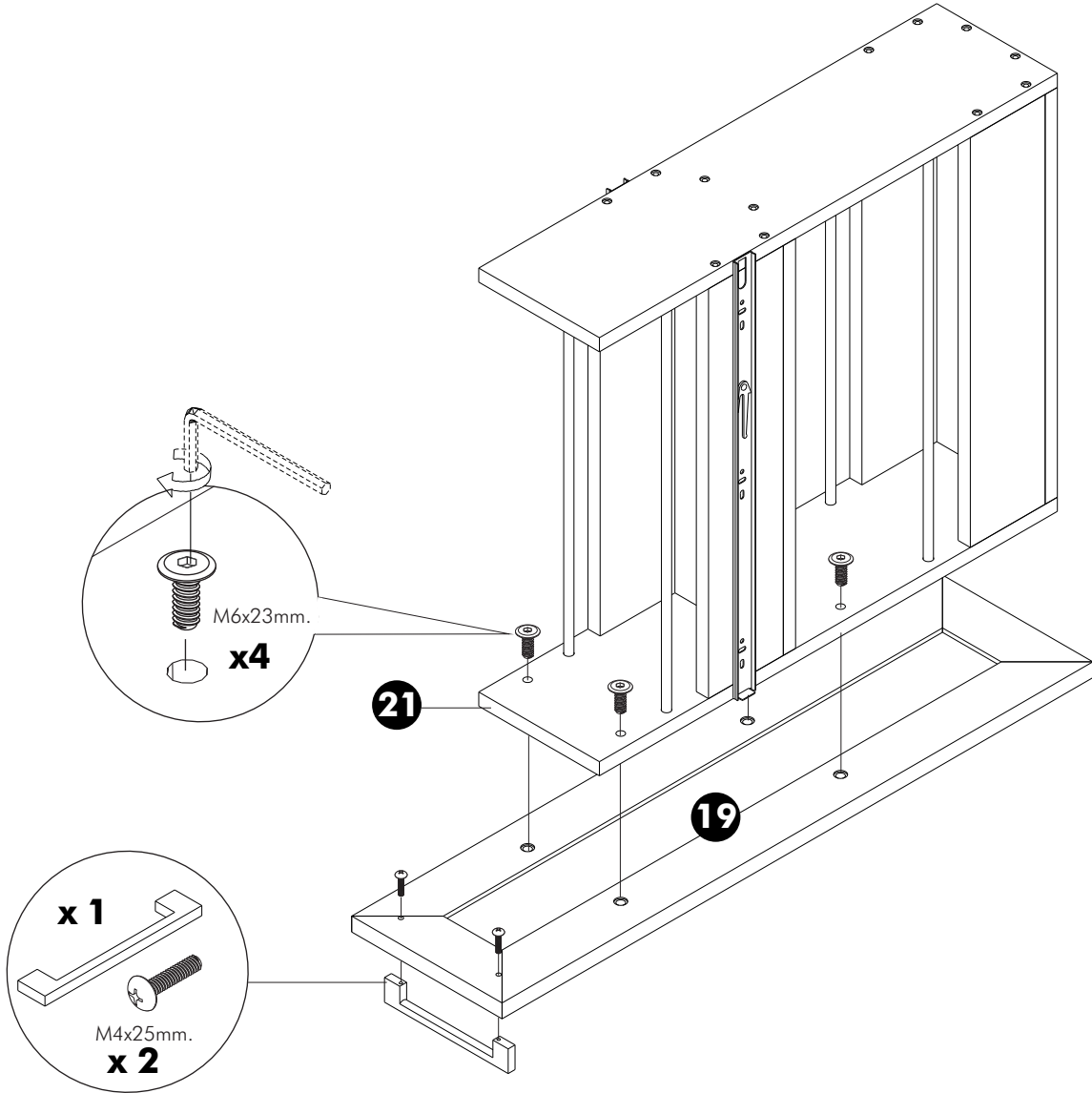
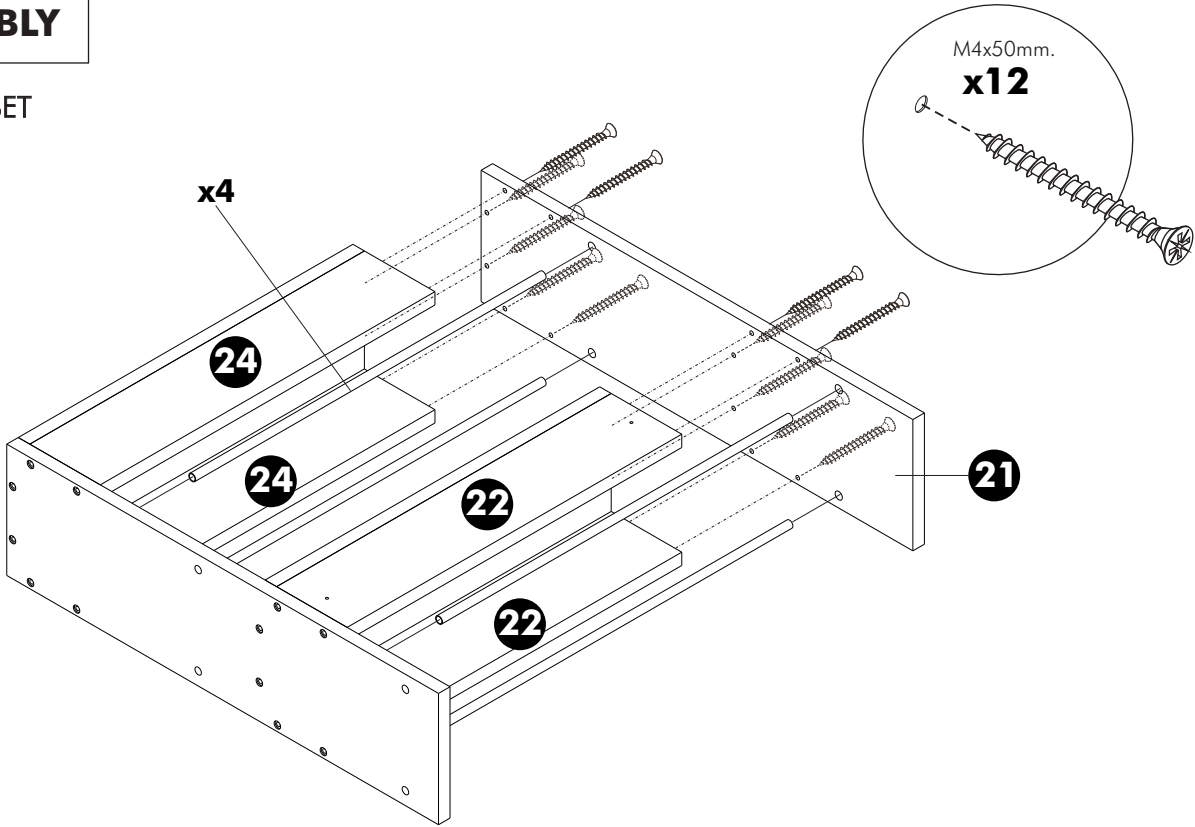
ASSEMBLY

-DRAWER SET



ASSEMBLY

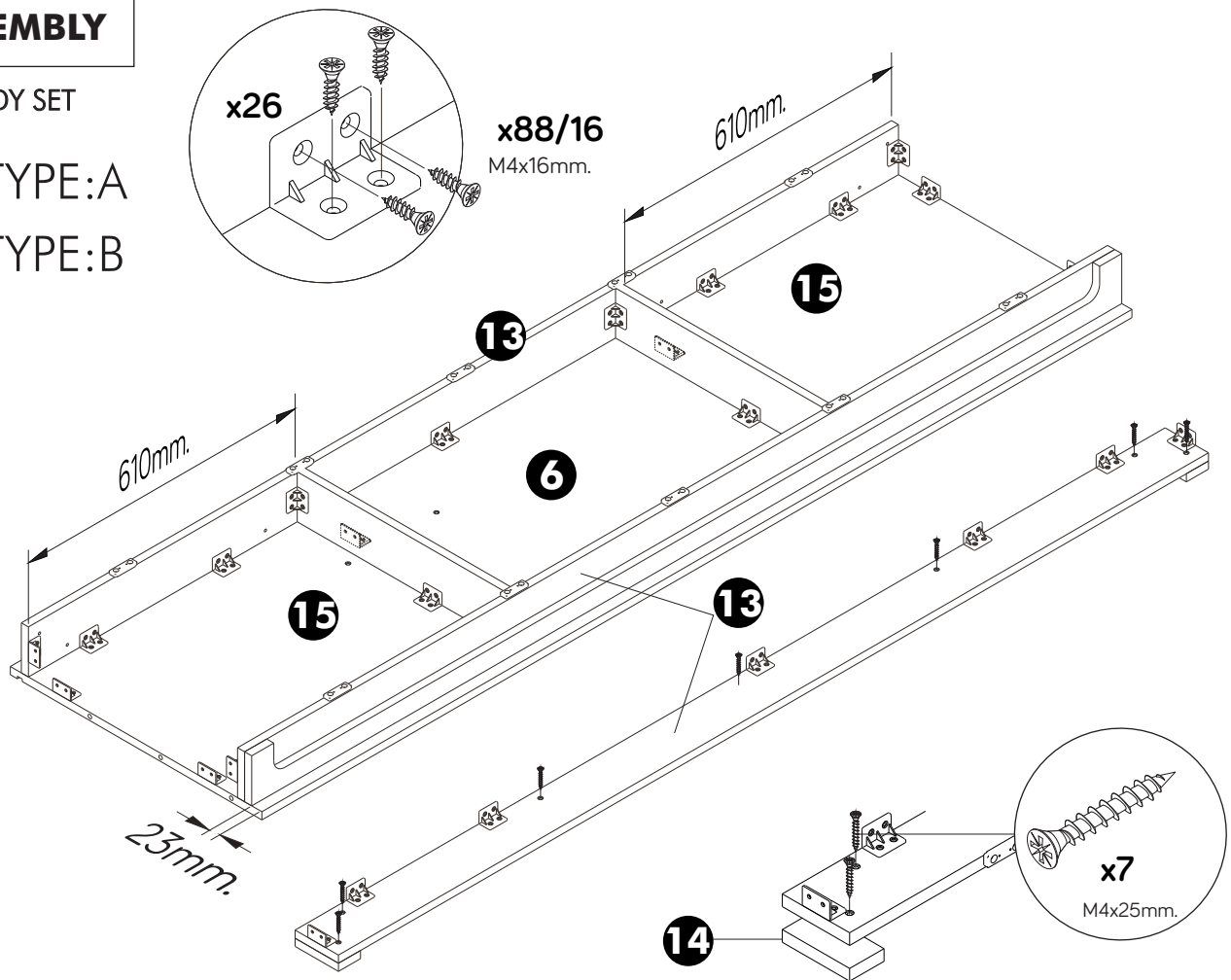
-DRAWER SET



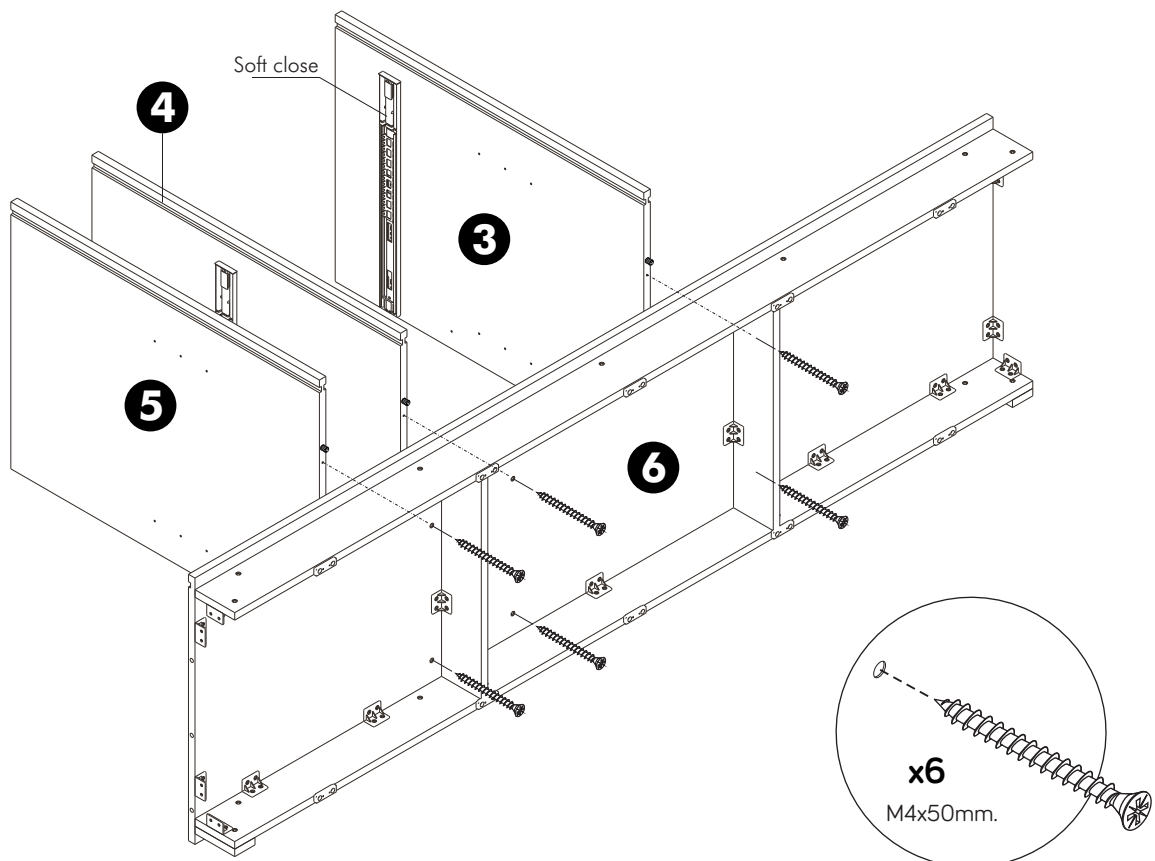
ASSEMBLY

-BODY SET

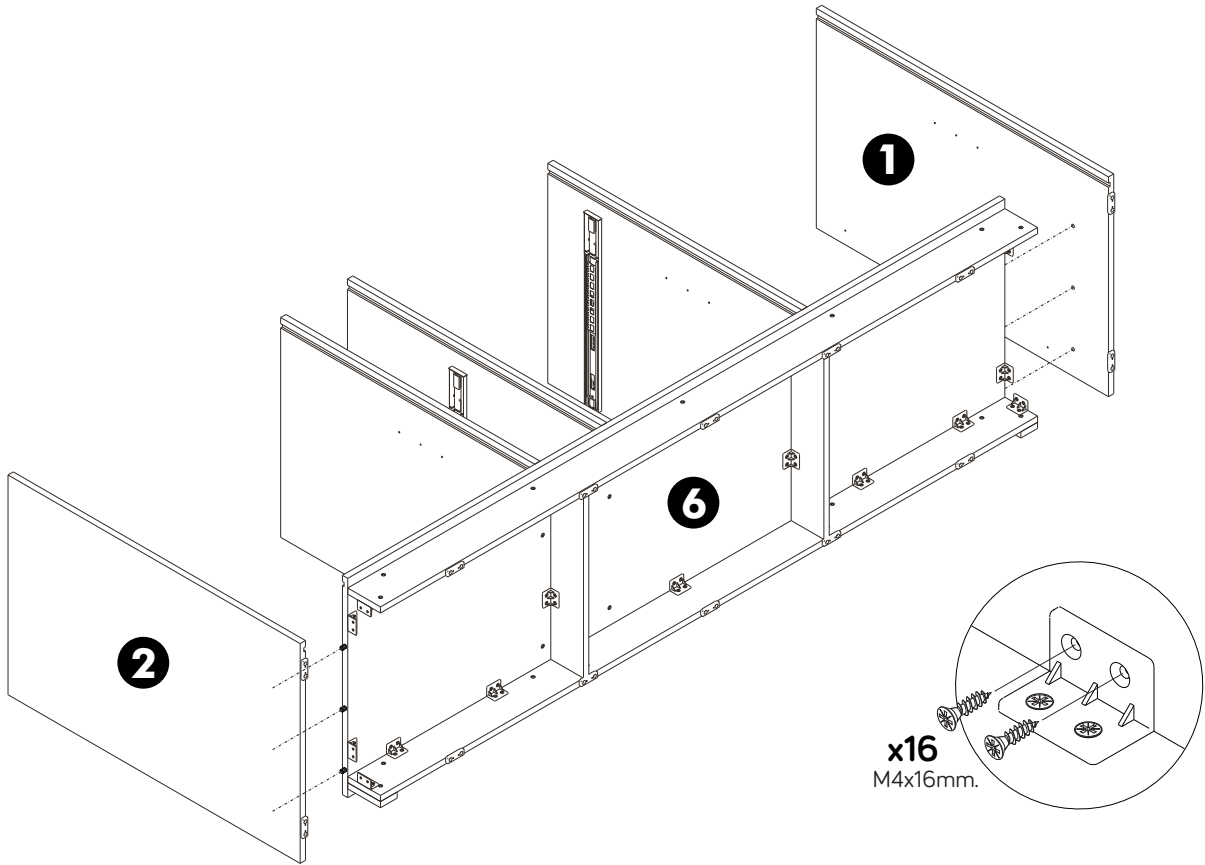
- 1. TYPE:A
- TYPE:B



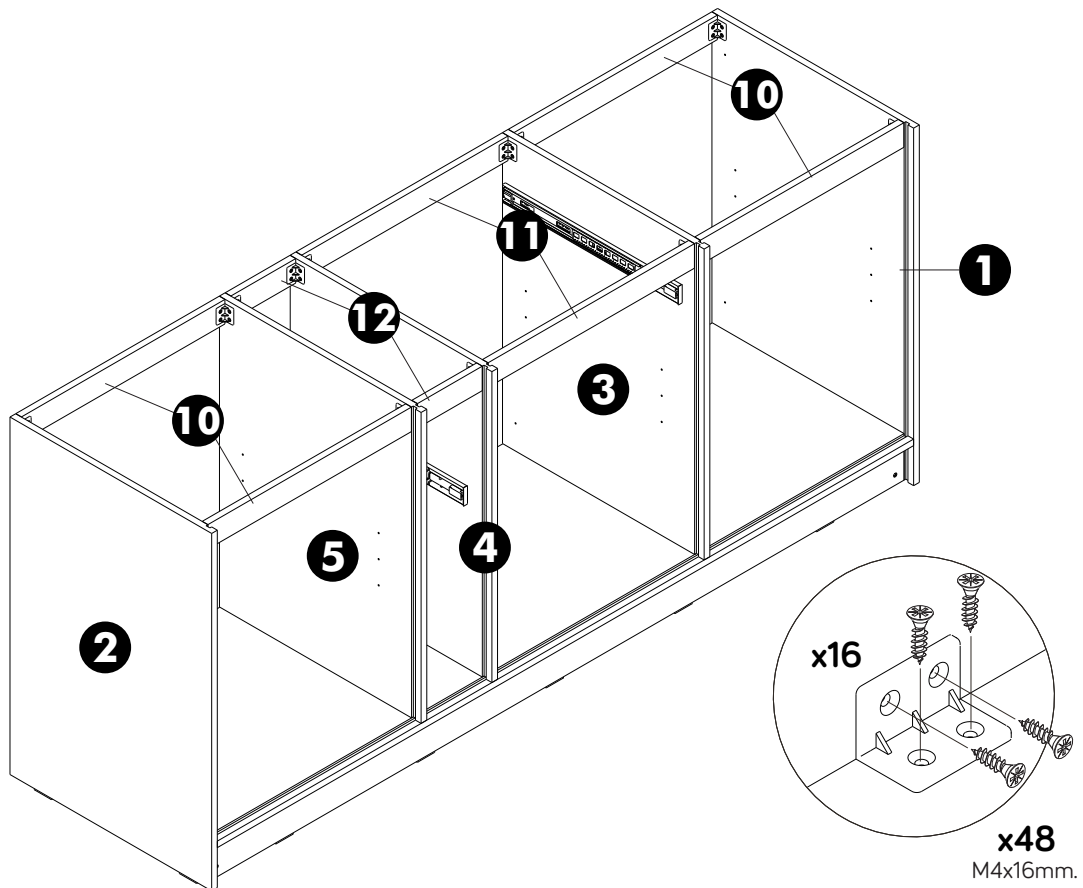
- 2.



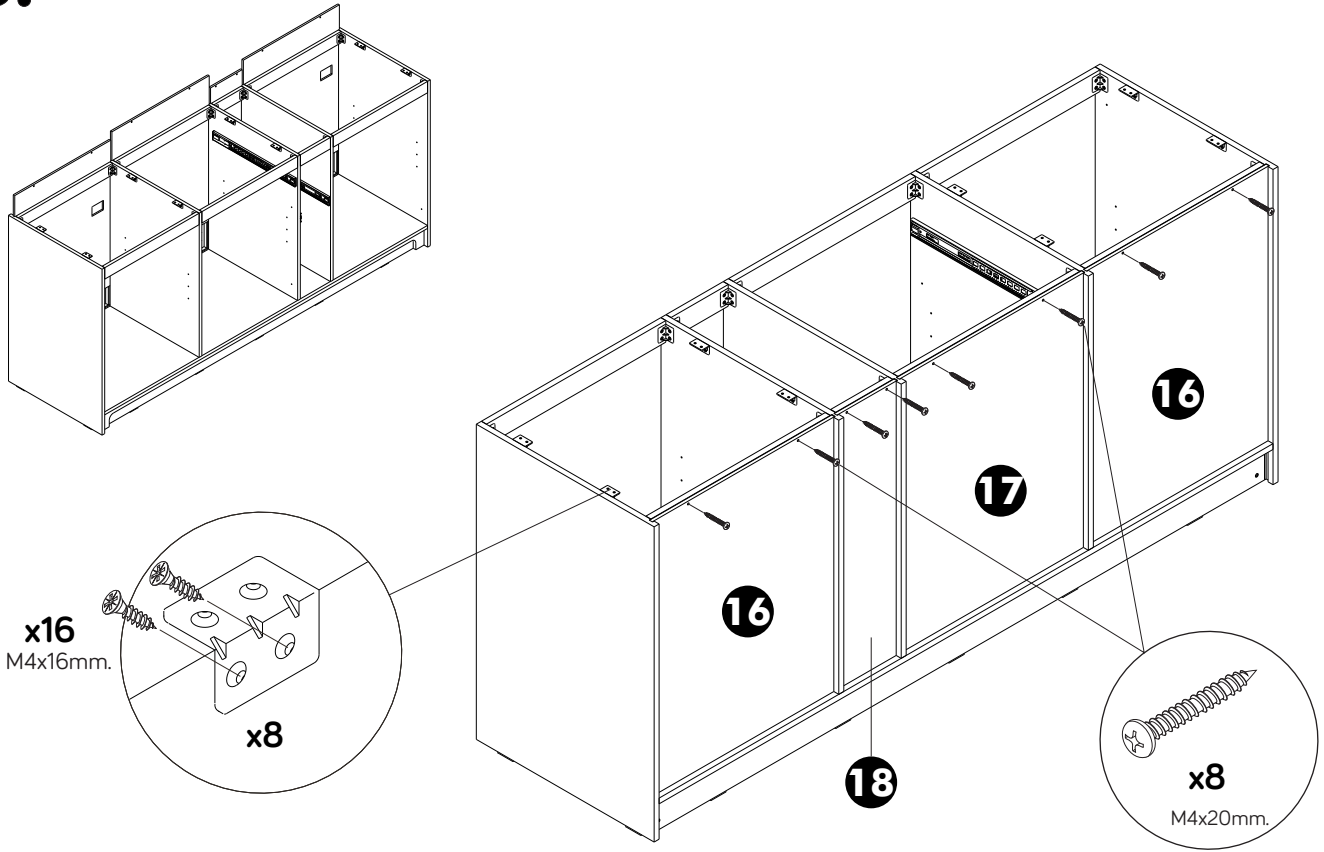
3.



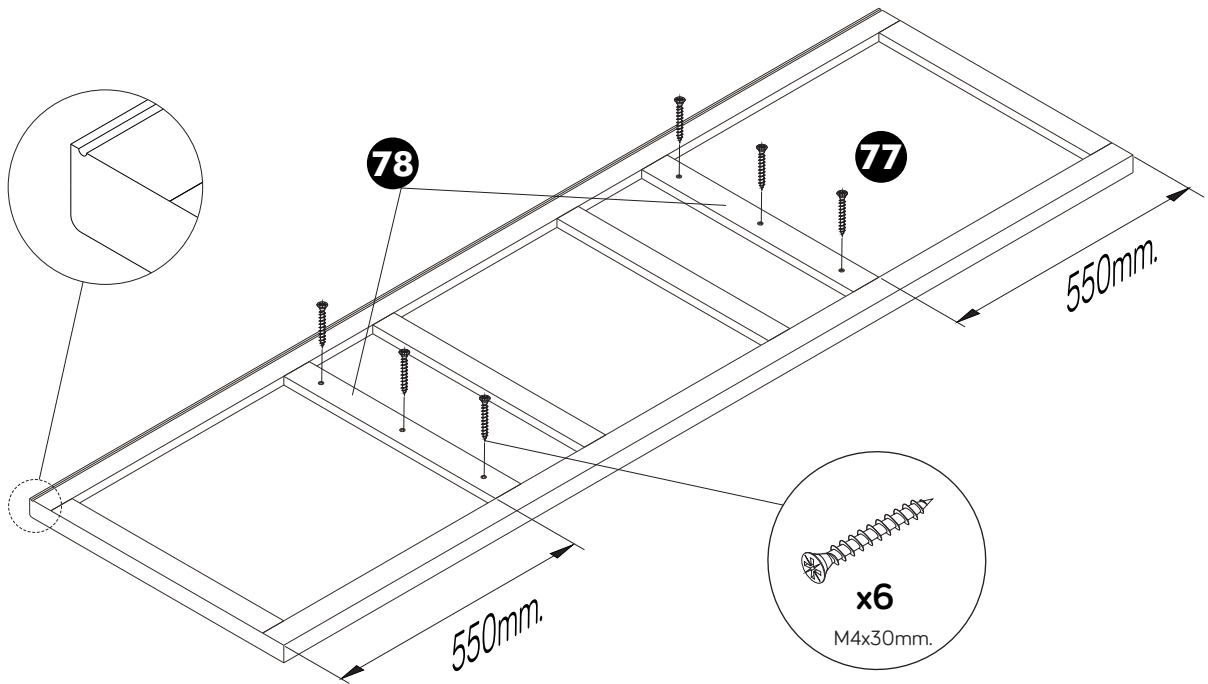
4.



5.



6.



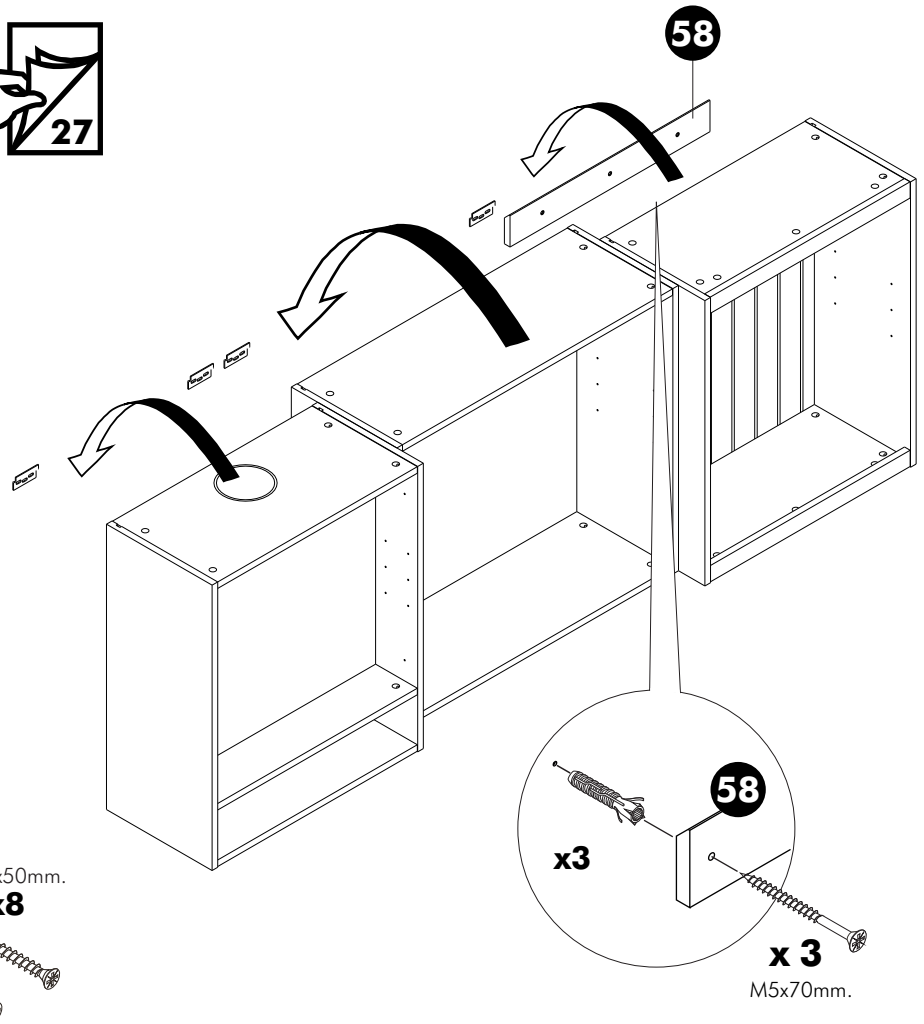
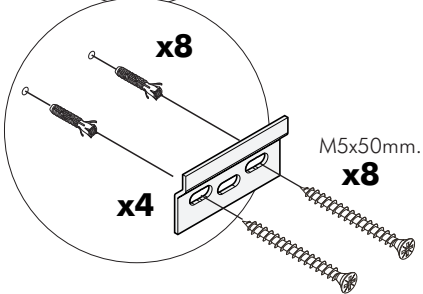
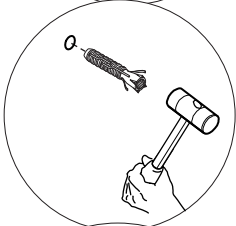
8.2

TYPE:B



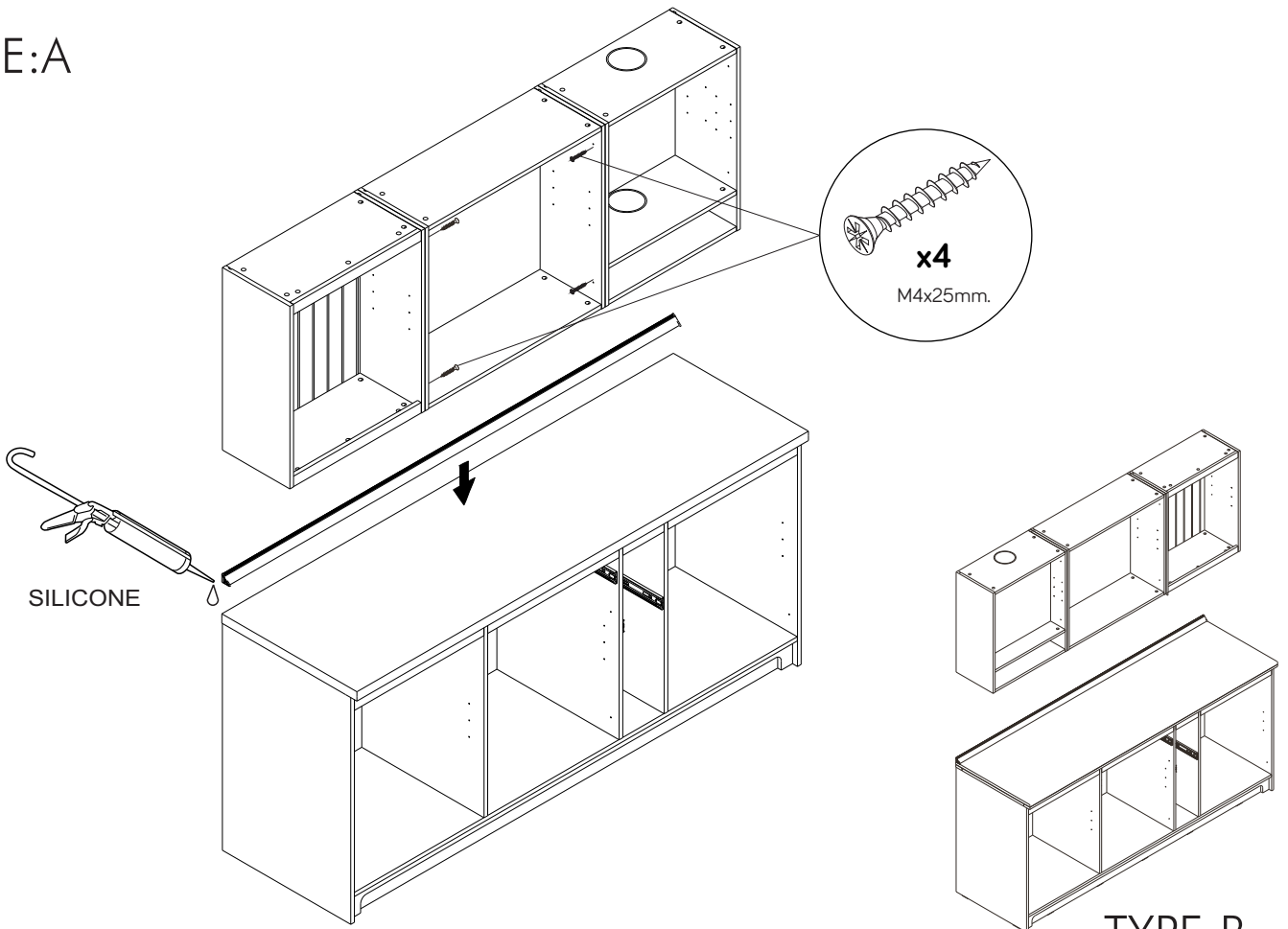
WALL

Ø7x50mm.



9.

TYPE:A



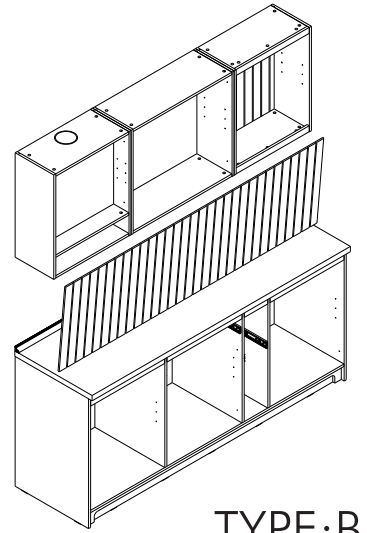
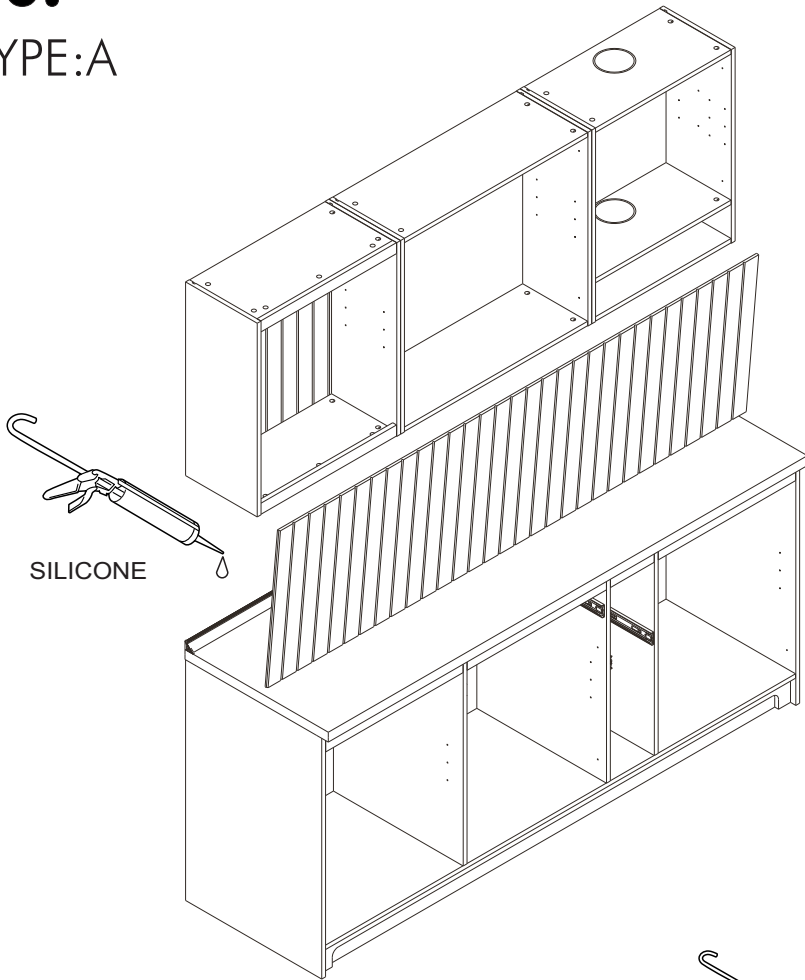
SILICONE

x4
M4x25mm.

TYPE:B

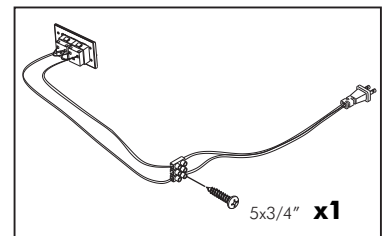
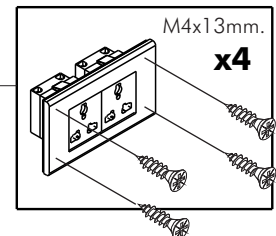
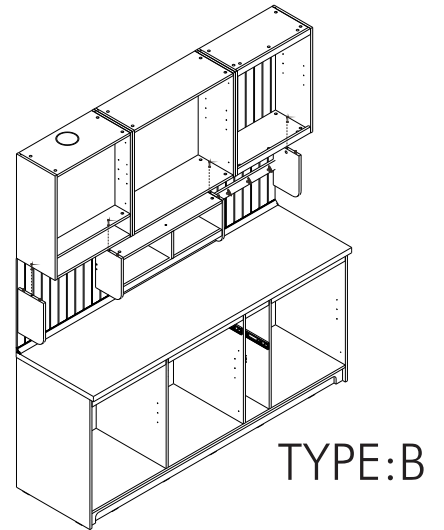
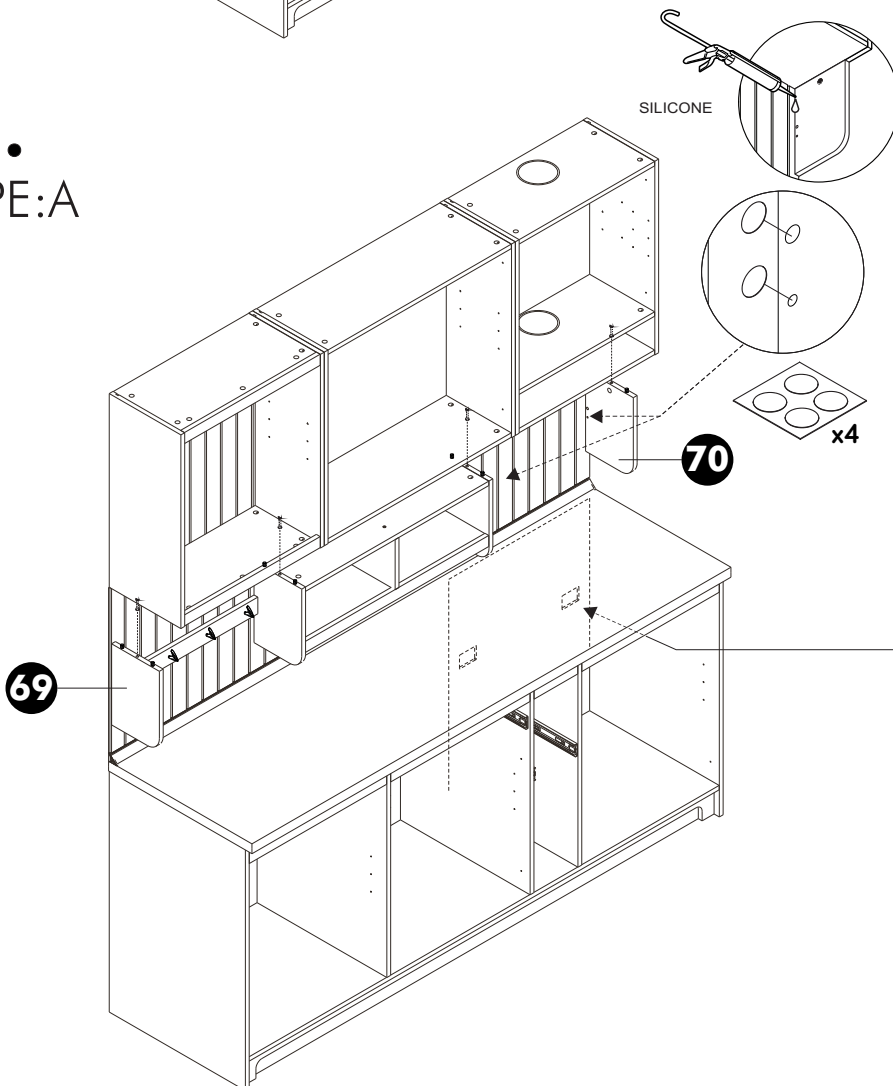
10.

TYPE:A



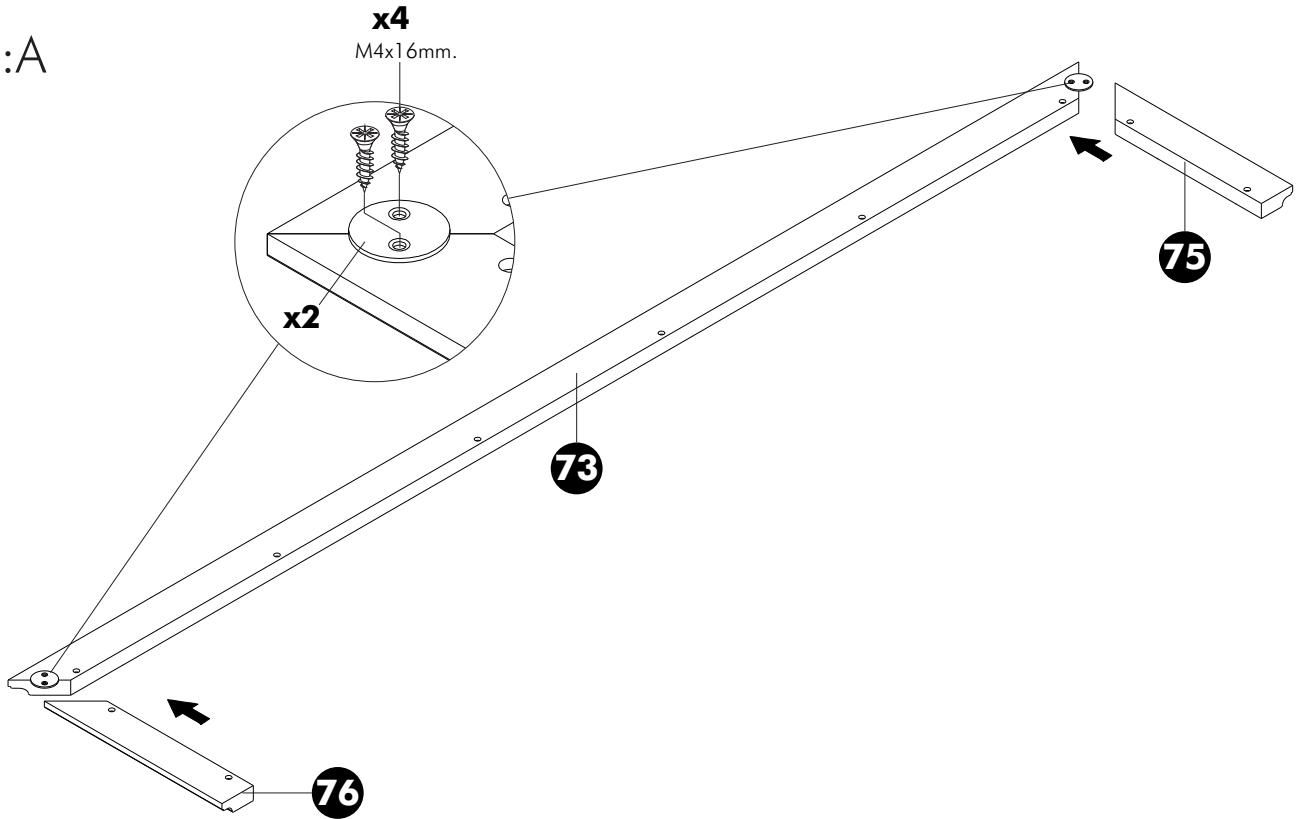
11.

TYPE:A



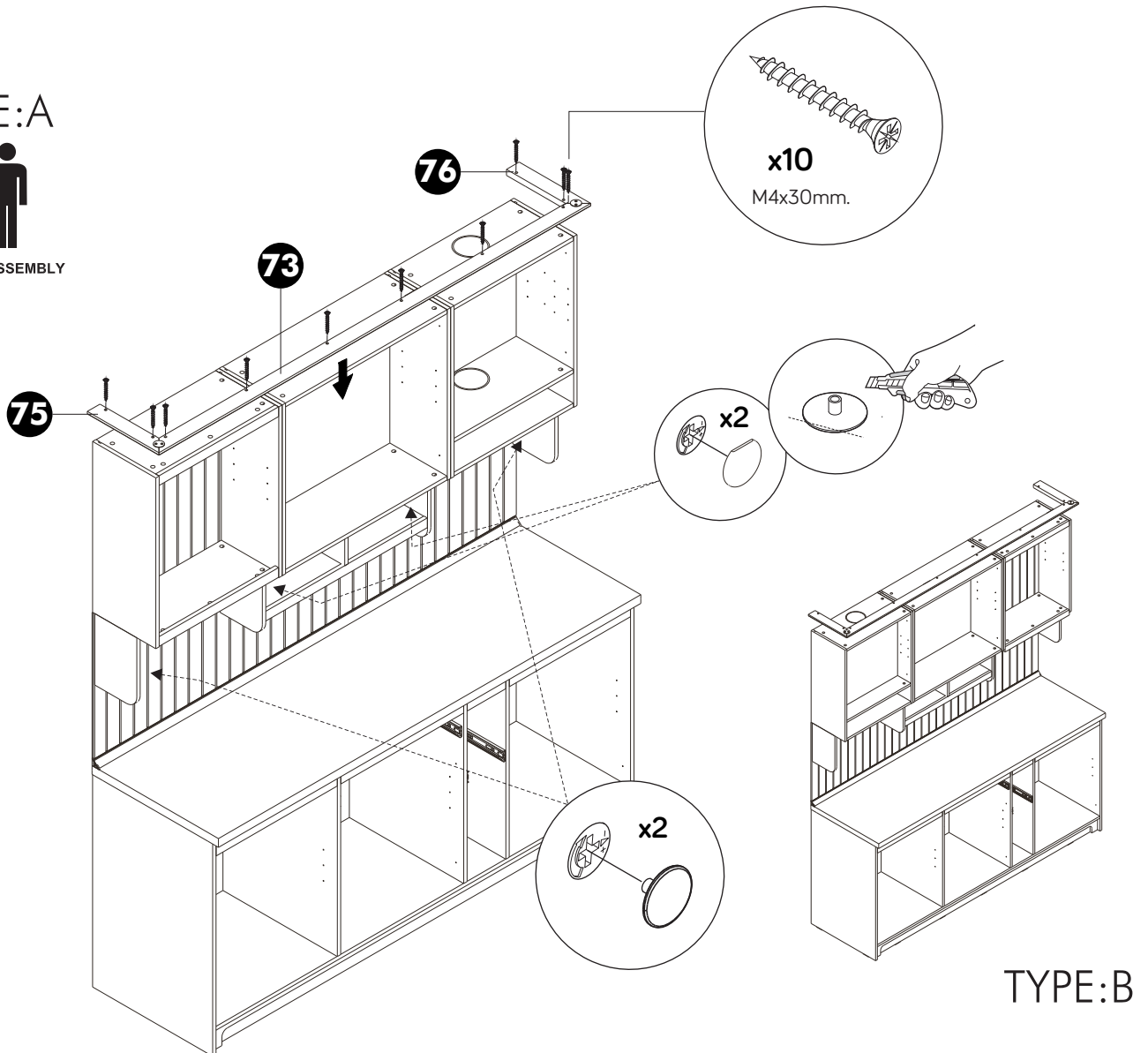
12

TYPE:A



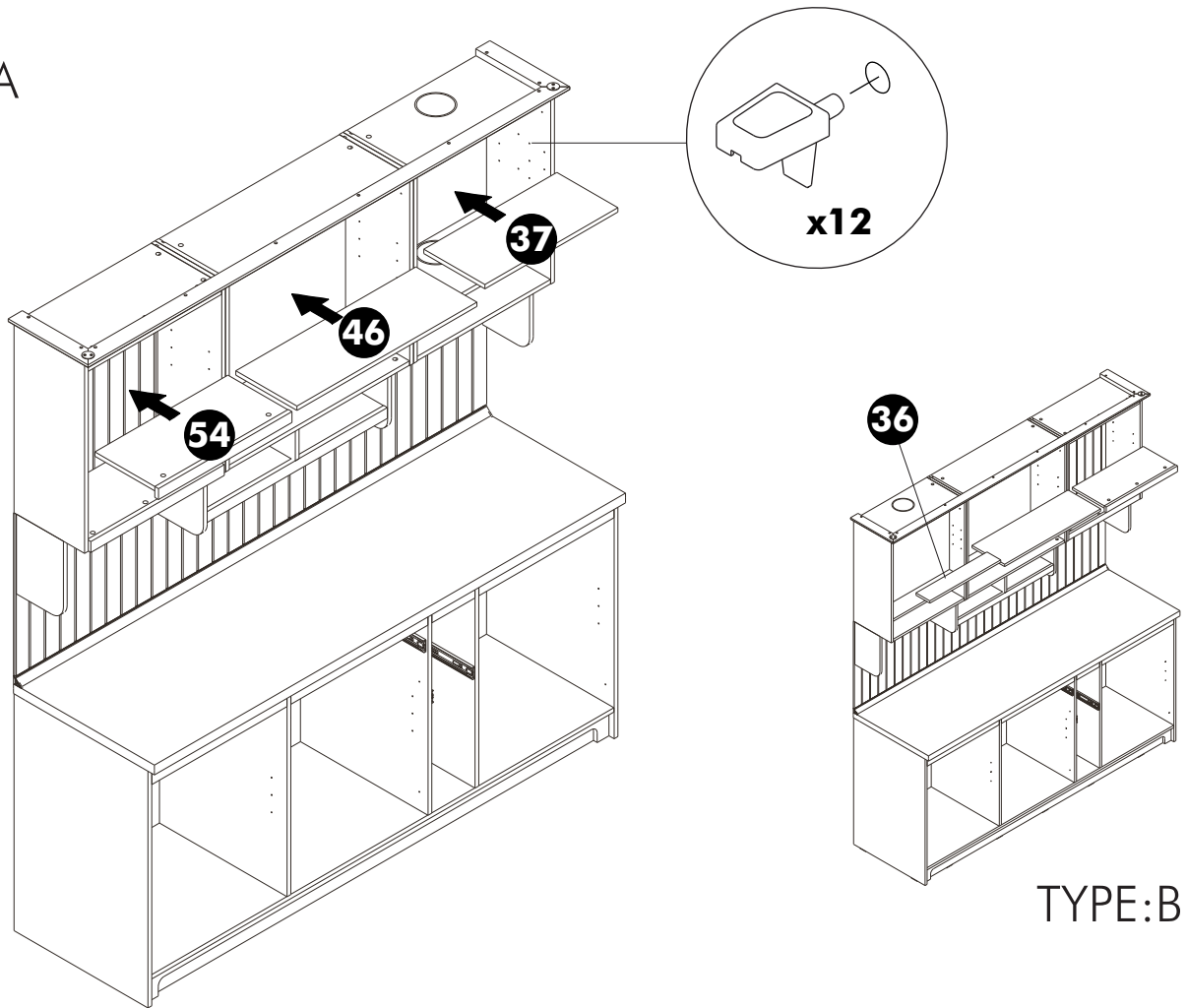
13.

TYPE:A



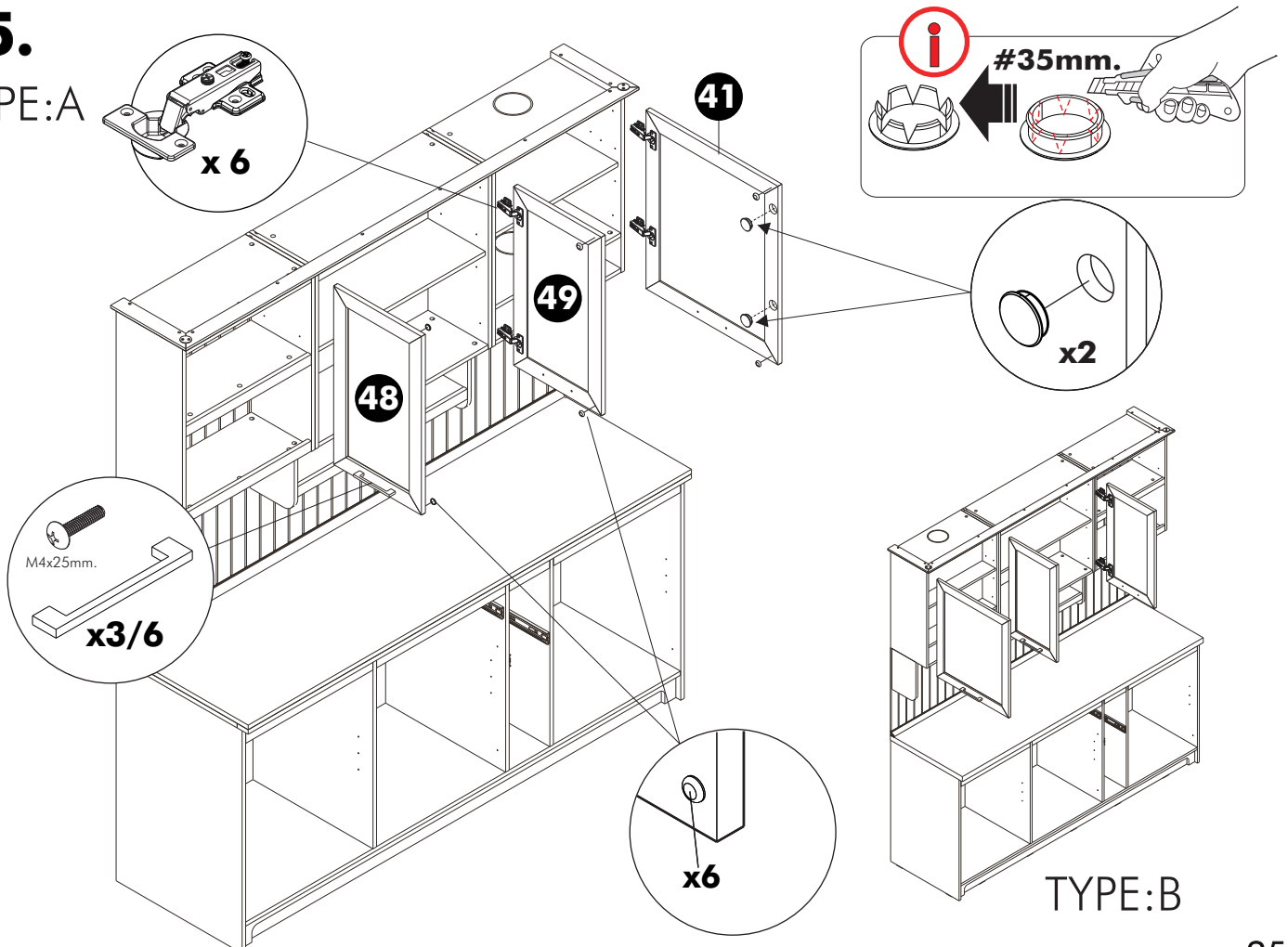
14.

TYPE:A



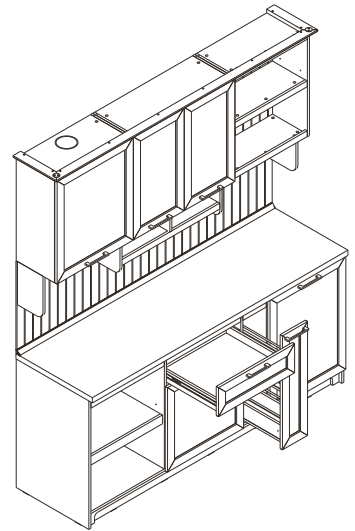
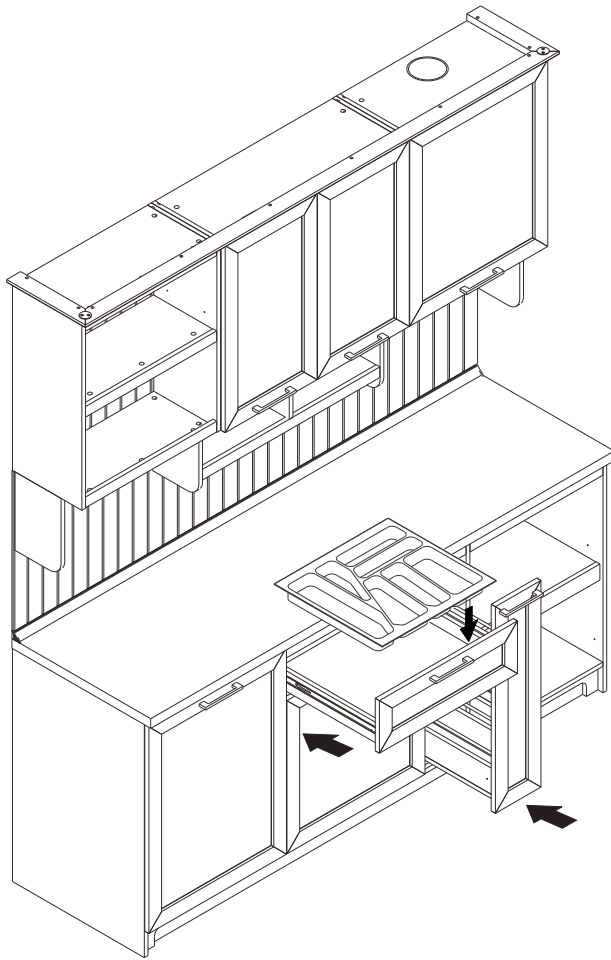
15.

TYPE:A



18.

TYPE:A



TYPE:B

