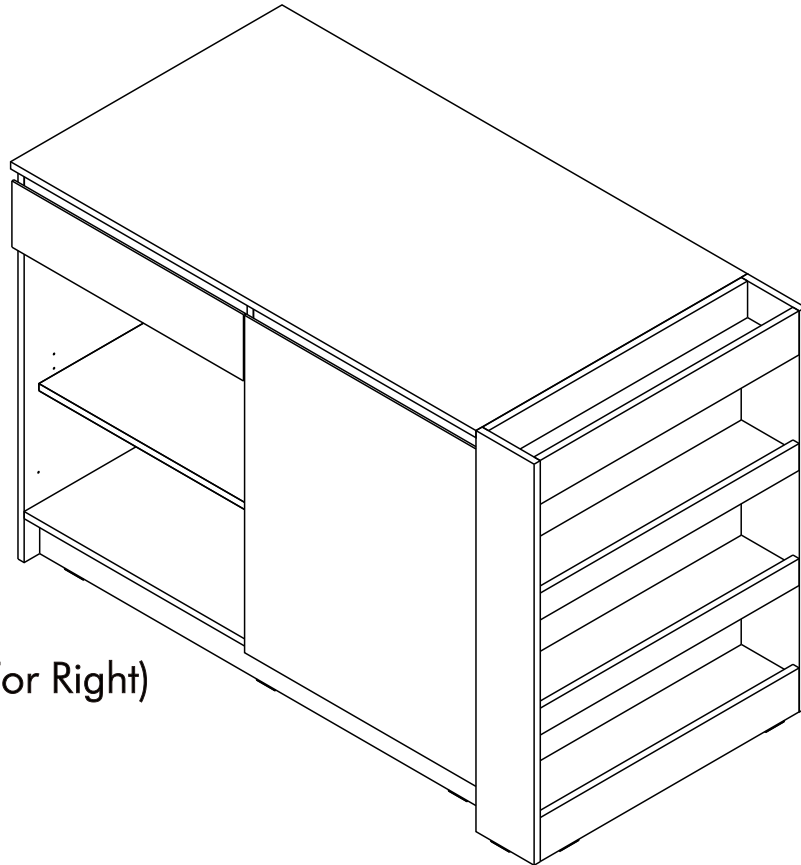
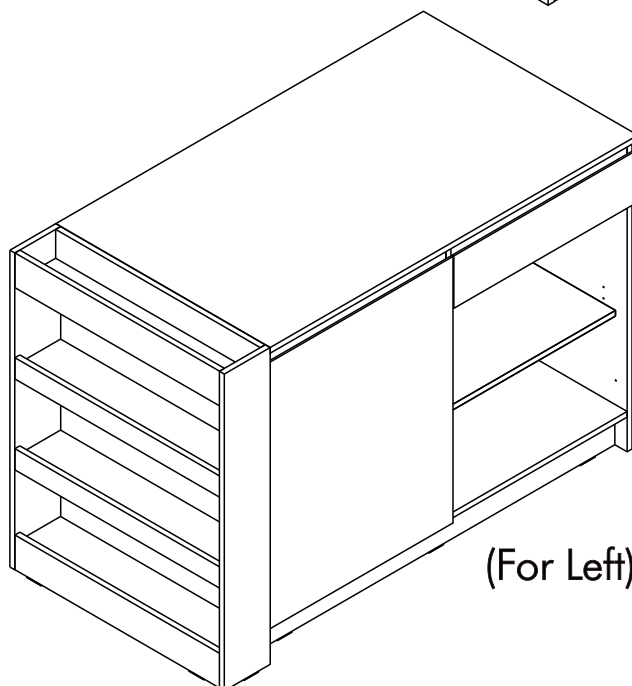


CUSINA

Island



(For Right)



(For Left)

CONNECT SYSTEM

1

3

2

(Connecting bolts)

WHEN FITTING CAMS
 ENSURE STARTING POSITION IS CORRECT
 BEFORE YOU INSERT CONNECTING BOLT
 TURN CLOCKWISE UNTIL SECURE

✓				✗
	CORRECT	WRONG		

M4x16mm.

OUT **IN**

i

40mm.

☹

✗

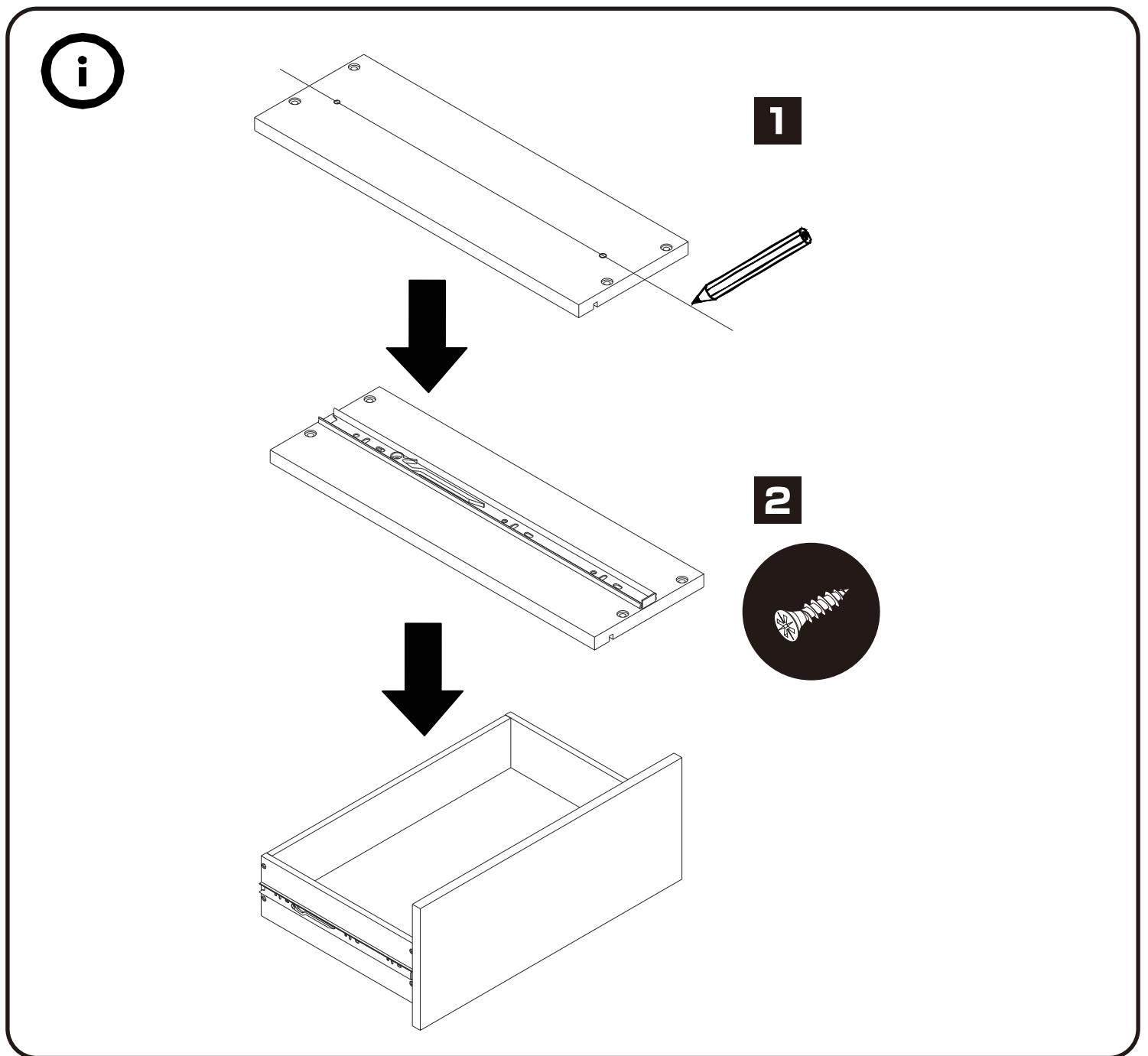
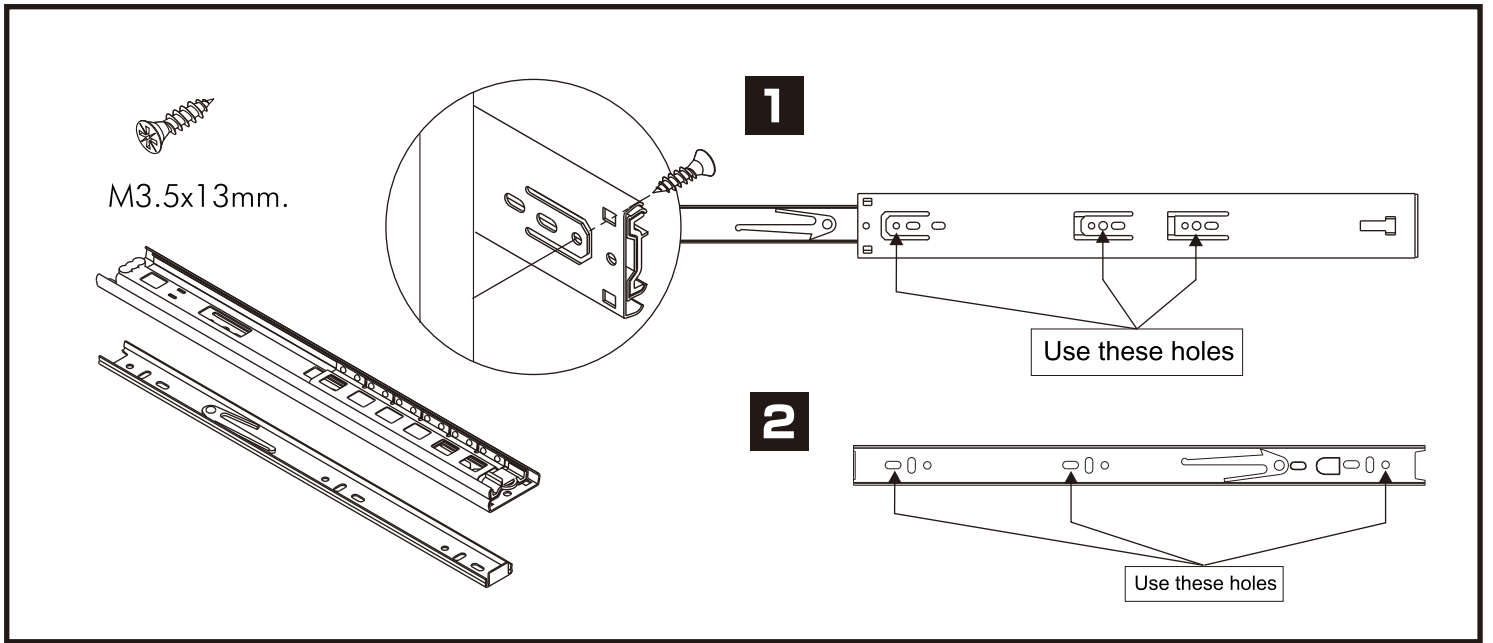
EQ

☺

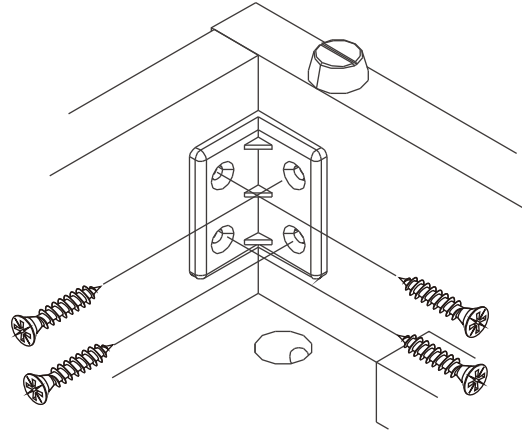
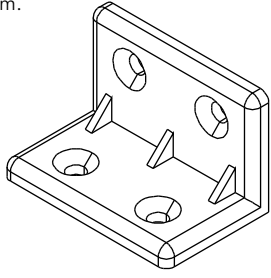
✓

M4x16mm.

DOOR PANEL

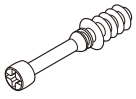


M4x16mm.



HARDWARE

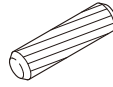
-BODY SET



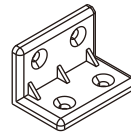
x 47



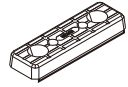
x 47



x 66



x 11



x 14



x 8



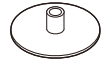
x 4



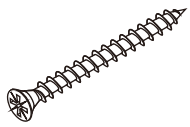
x 1



x 9

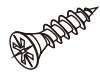


x 4



M4x50mm.

x 5



M4x16mm.

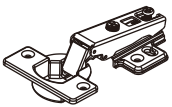
x 72



M4x25mm.

x 4

-DOOR SET



x 2



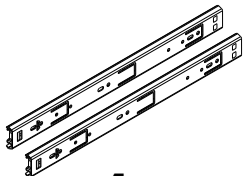
M4x16mm.

x 12



x 4

-DRAWER SET

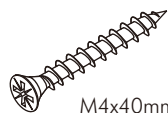


x 1



M3.5x13mm.

x 12



M4x40mm.

x 10



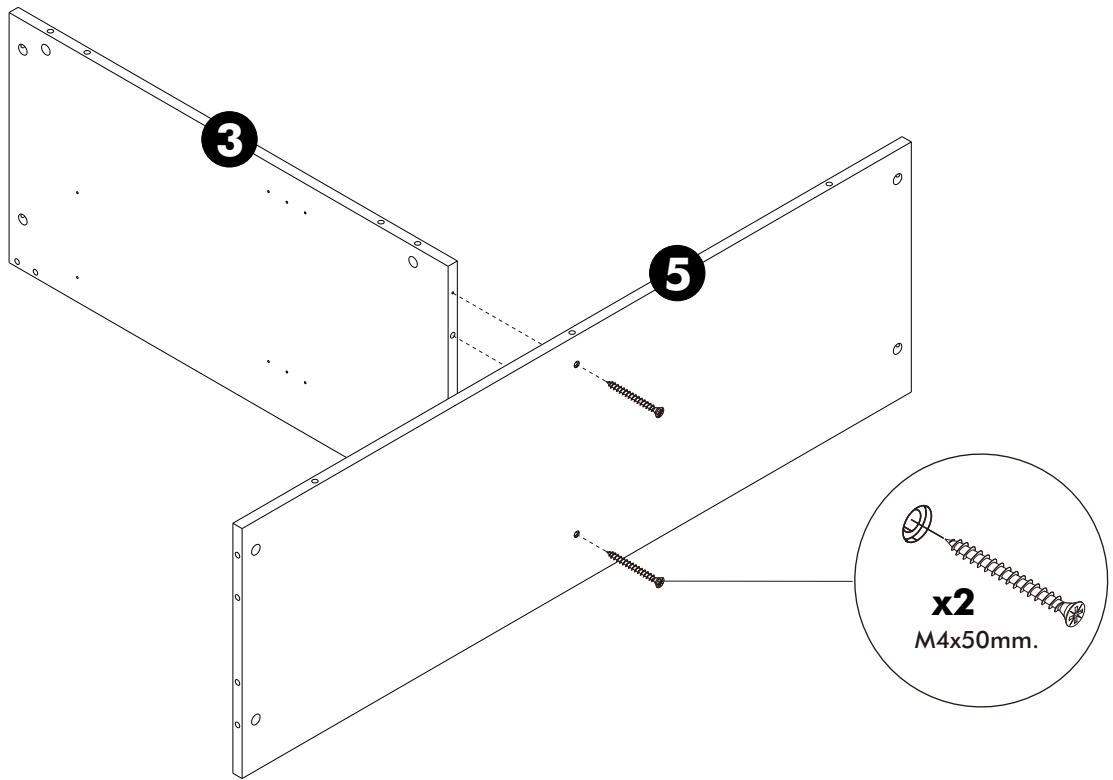
M4x20mm.

x 2

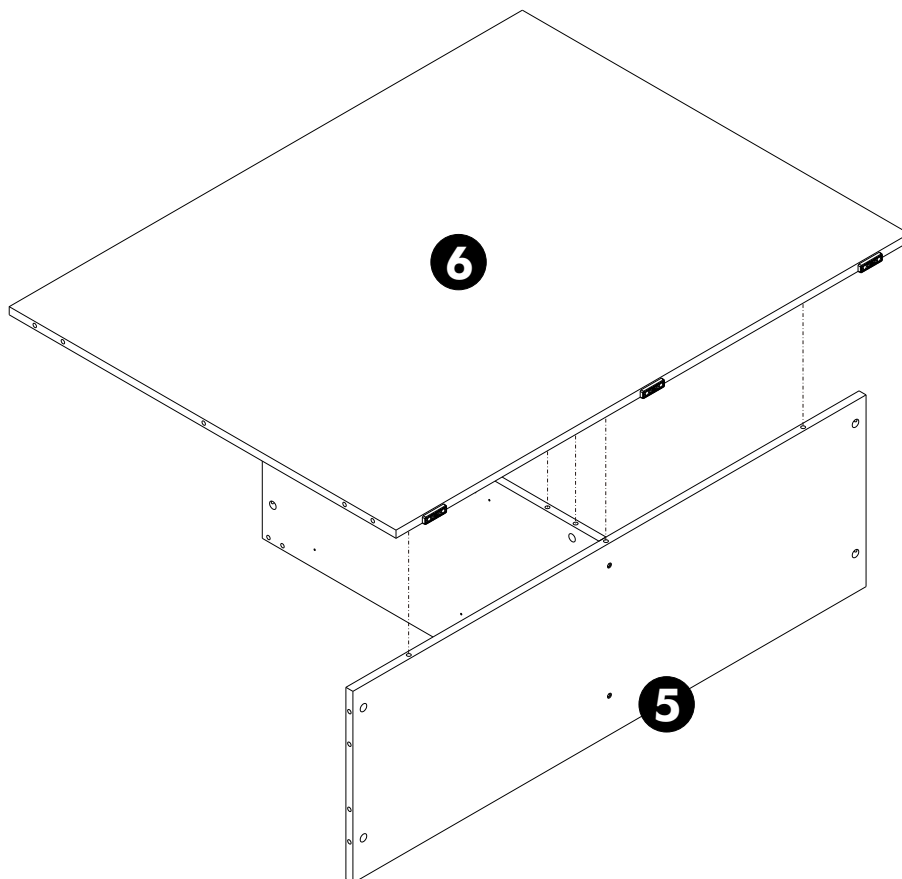
ASSEMBLY

-BODY SET

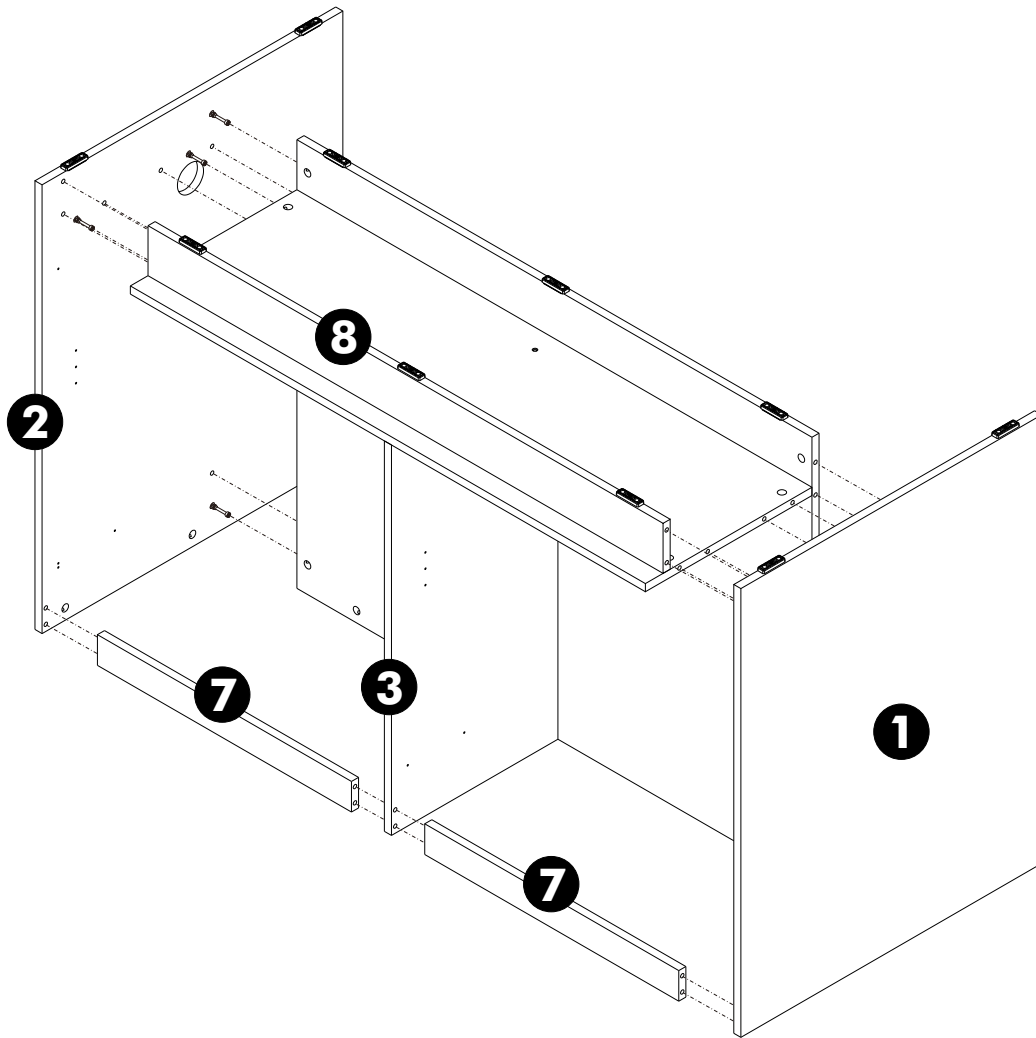
1.



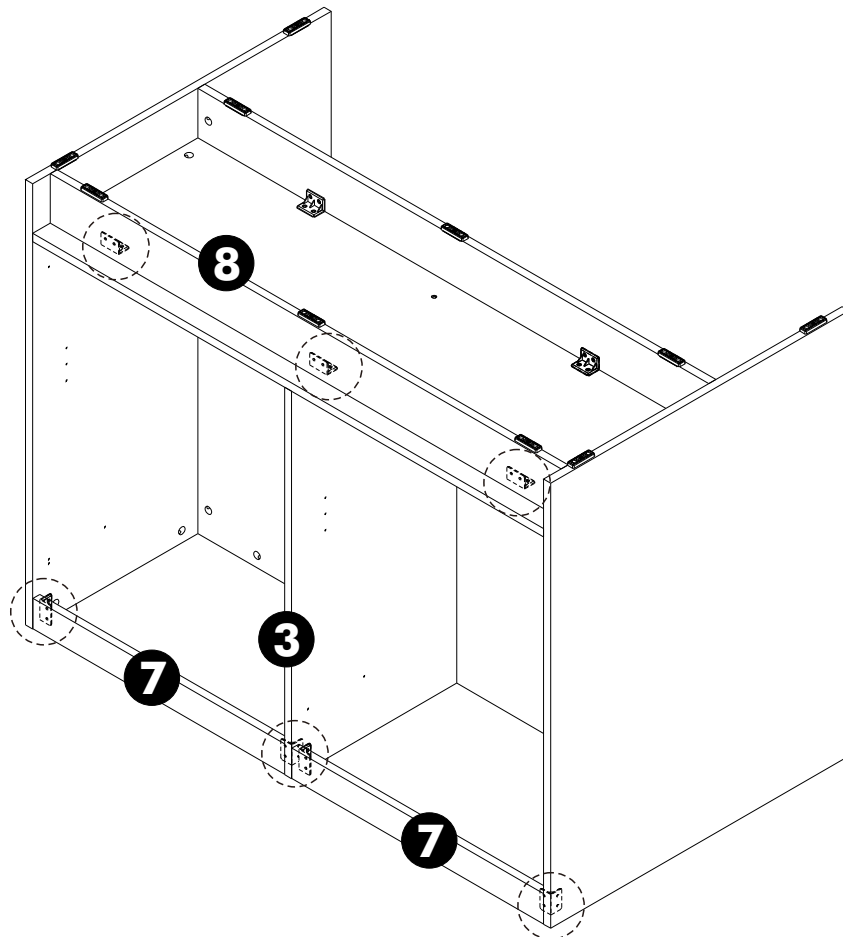
2.



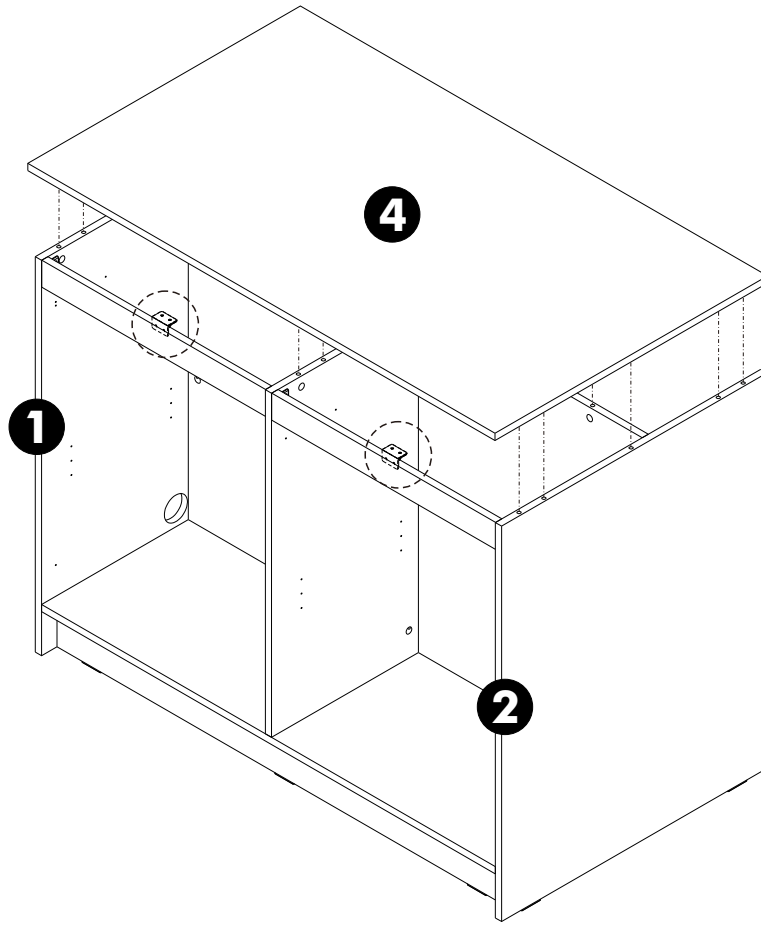
3.



4.

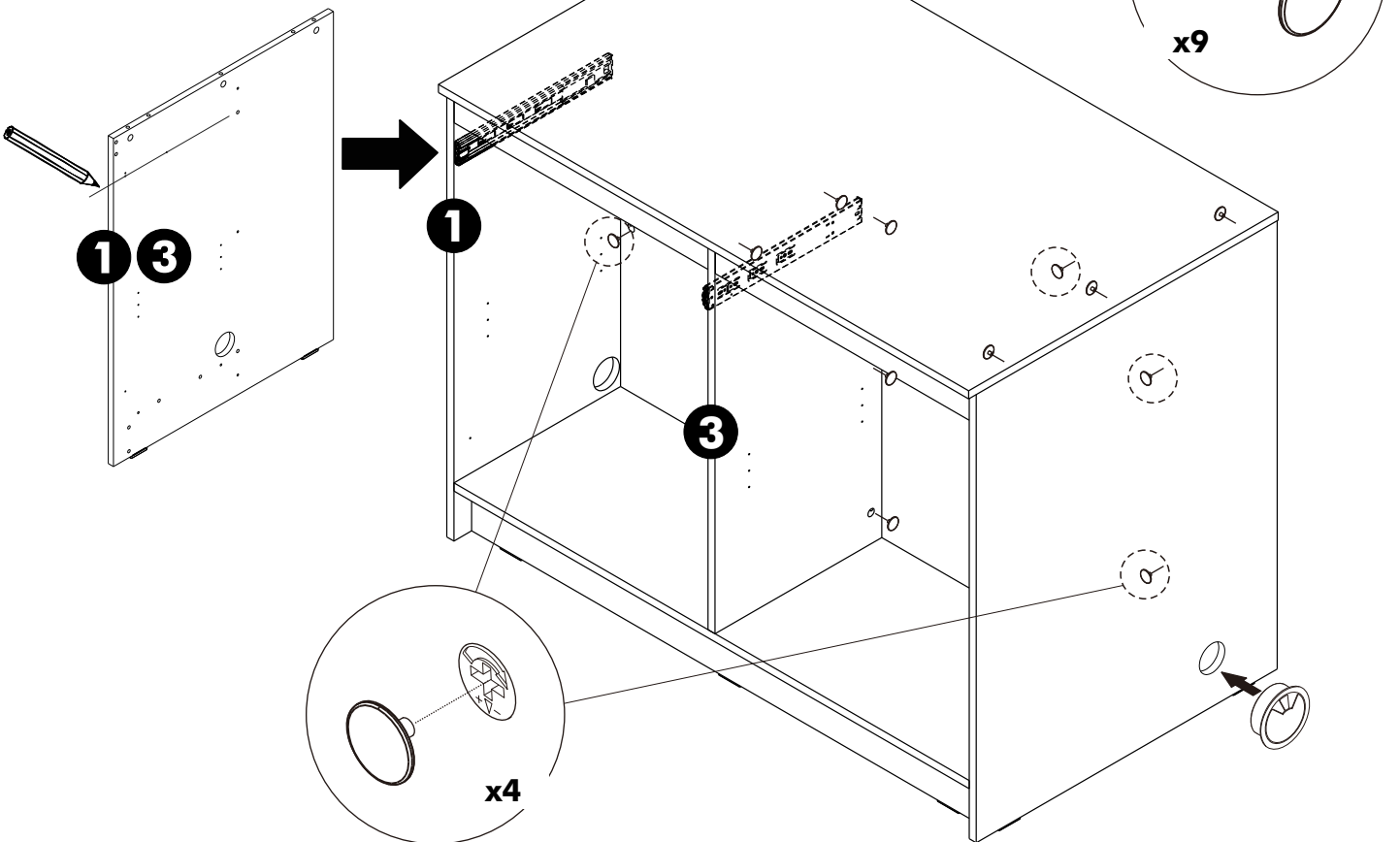


5.



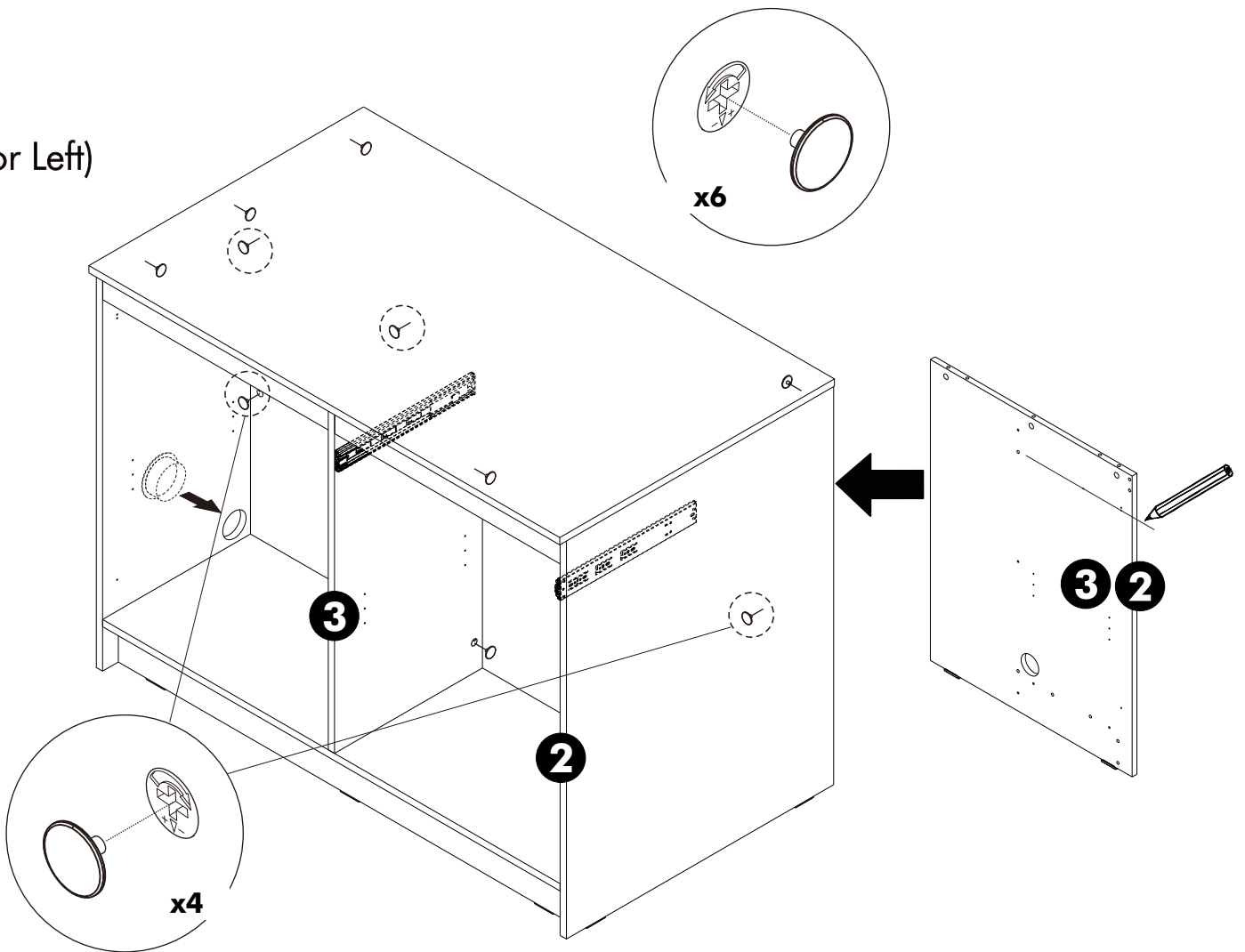
6.

(For Right)

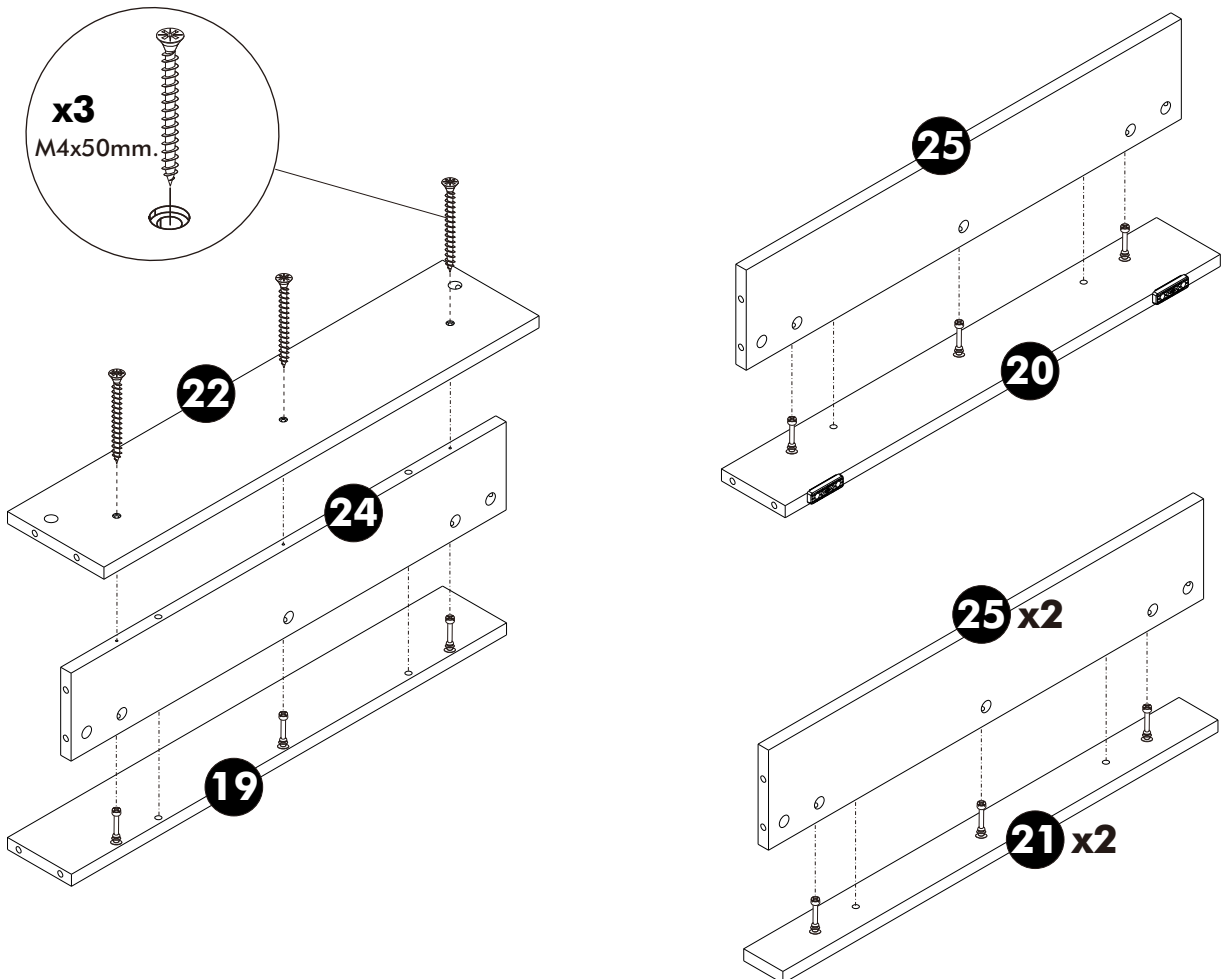


6.

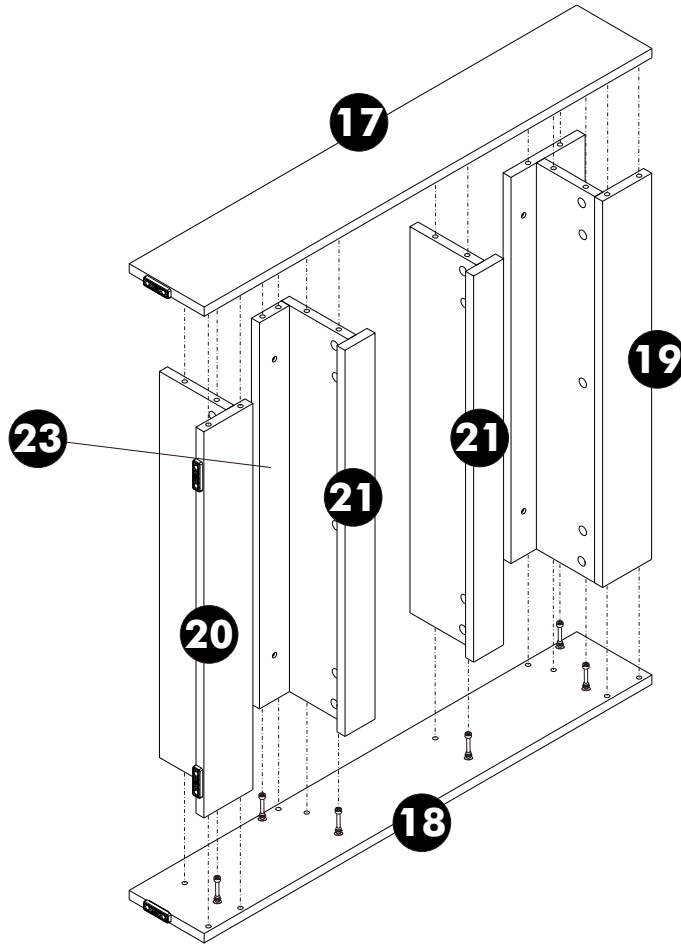
(For Left)



7.



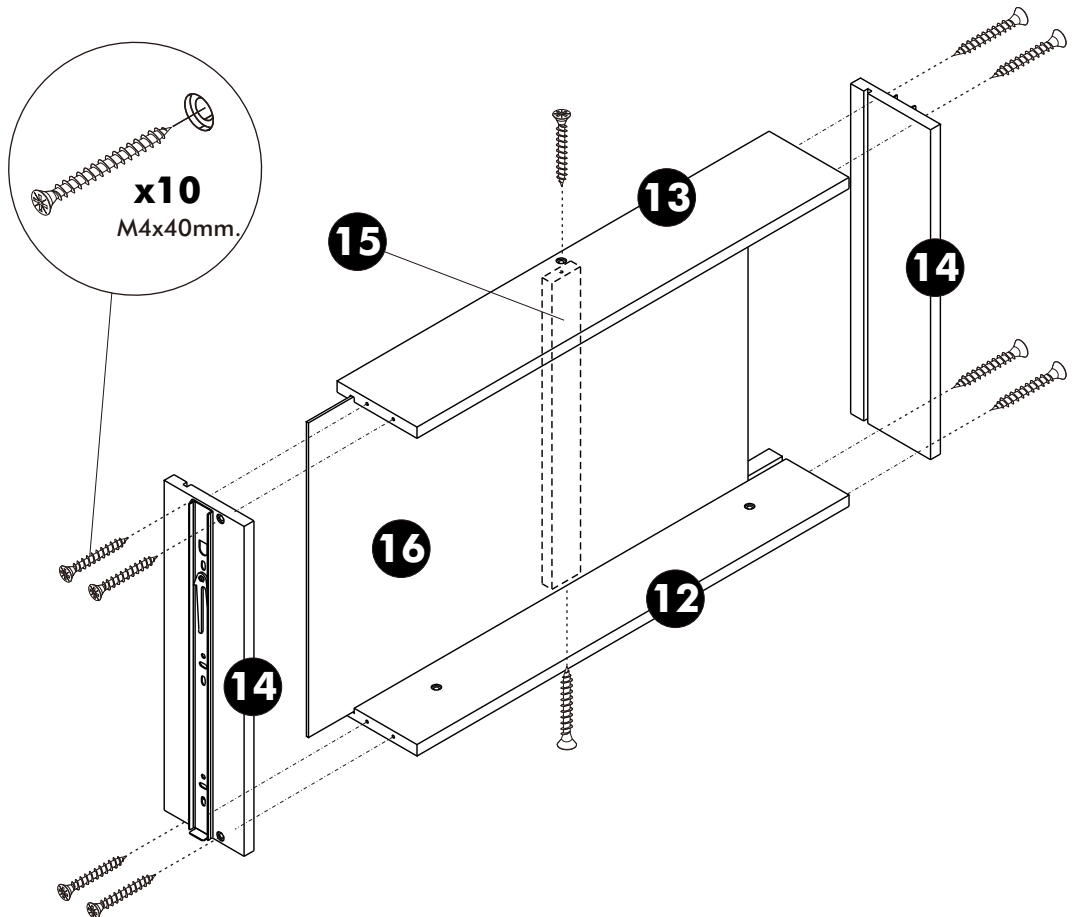
8.



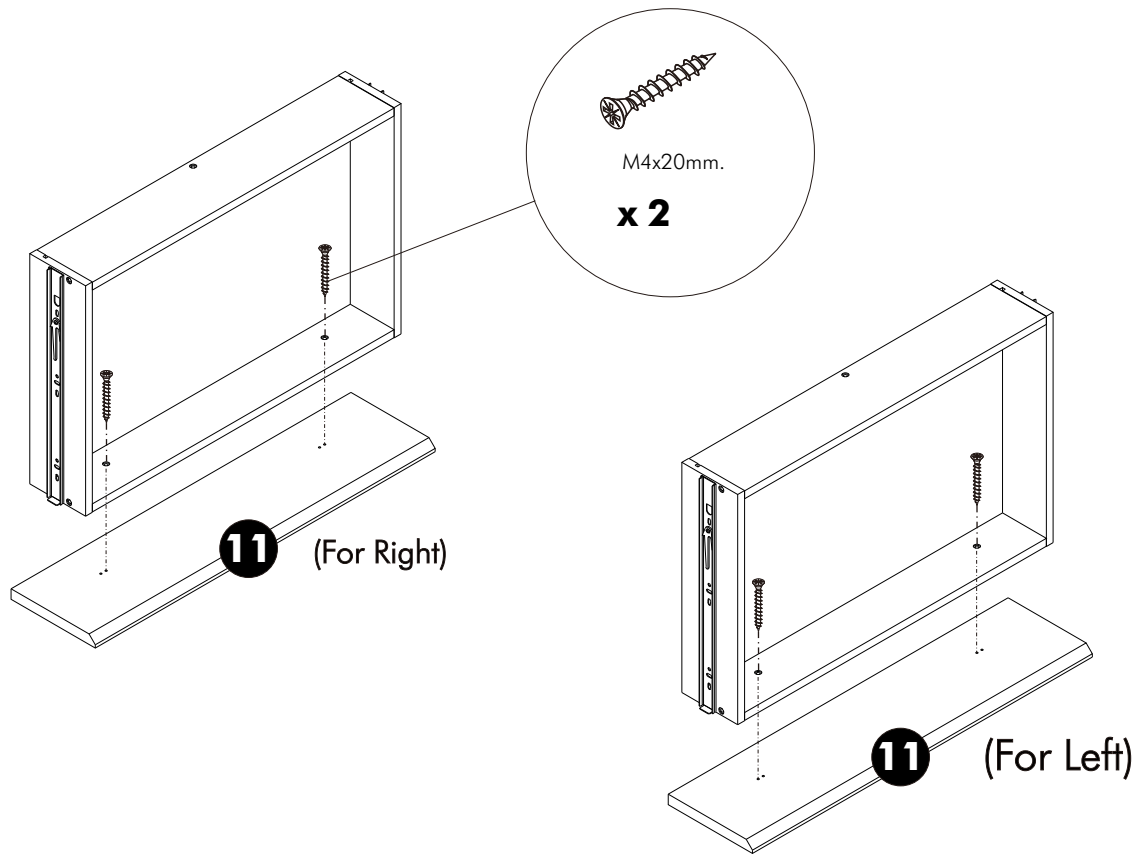
9.

ASSEMBLY

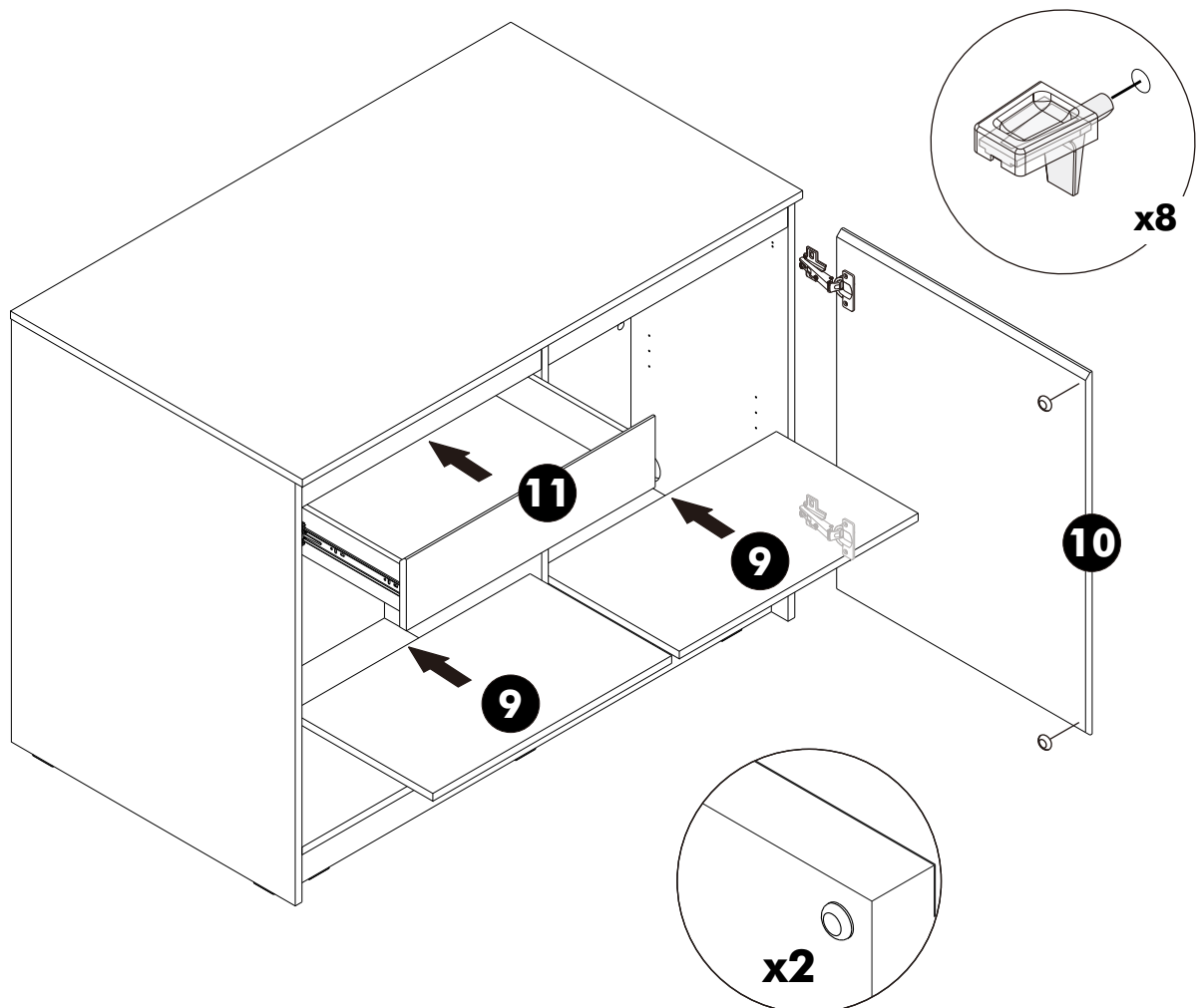
-DRAWER SET



10.



11.



12.

