

| | | | |
|-----------------|-----------------|------------------|--------------------|
| Model | FLEXI_RC_DBH602 | | |
| Creator | PASATHORN | .BCP Name | INDEX_C3D_KITCHEN2 |
| Reviewer | | Order | I004668 |
| Approves | | Date | 23/12/2025 |

FLEXI_RC_DBH602-600X570X838

Colour

02.78 FOIL 45GMS.MD627(VALENTINO)AQ-346-15KBWG(AQ PAPER)_

02.62 FOIL 75GMS.MD216(SANSTONE)AQ-264KB(AQ PAPER)_

-

-

-

Edge

01.261 1 MD627 _

01.155 1 SANDSTONE (P7-500M1) _

-

-

-

| | |
|-------------------------------------|-------------------|
| R&D REVIEW | |
| <input checked="" type="checkbox"/> | DWG.Customer |
| <input checked="" type="checkbox"/> | Work Report |
| <input type="checkbox"/> | Function |
| <input type="checkbox"/> | สินค้าตรงตัวอย่าง |
| ผู้ทบทวน _____ | |
| _____ | |

K102L-160174496

K102R-160124673

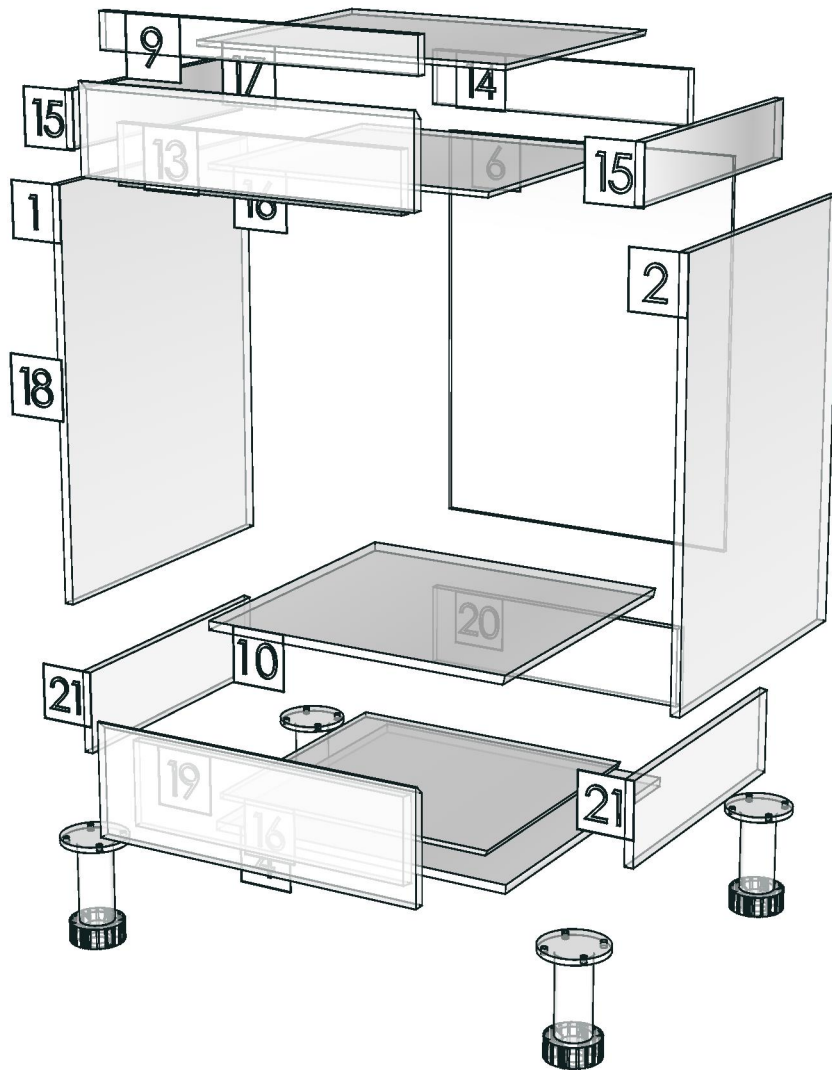
K103L-160174504

K103R-160174512



| | | | |
|-----------------|------------------|------------------|--------------------|
| Model | -FLEXI_RC_DBH602 | | |
| Creator | | .BCP Name | INDEX_C3D_KITCHEN2 |
| Reviewer | | Order | I004668 |
| Approves | | Date | |

12



| | | | |
|-----------------|----------------|------------------|--------------------|
| Model | FLEXI_RC_DBS80 | | |
| Creator | PASATHORN | .BCP Name | INDEX_C3D_KITCHEN2 |
| Reviewer | | Order | I004928 |
| Approves | | Date | 12/03/2026 |

FLEXI_RC_DBS80-800X570X838

Colour

02.78 FOIL 45GMS.MD627(VALENTINO)AQ-346-15KBWG(AQ PAPER)_

-
-
-
-

Edge

01.261 1 MD627 _

-
-
-
-

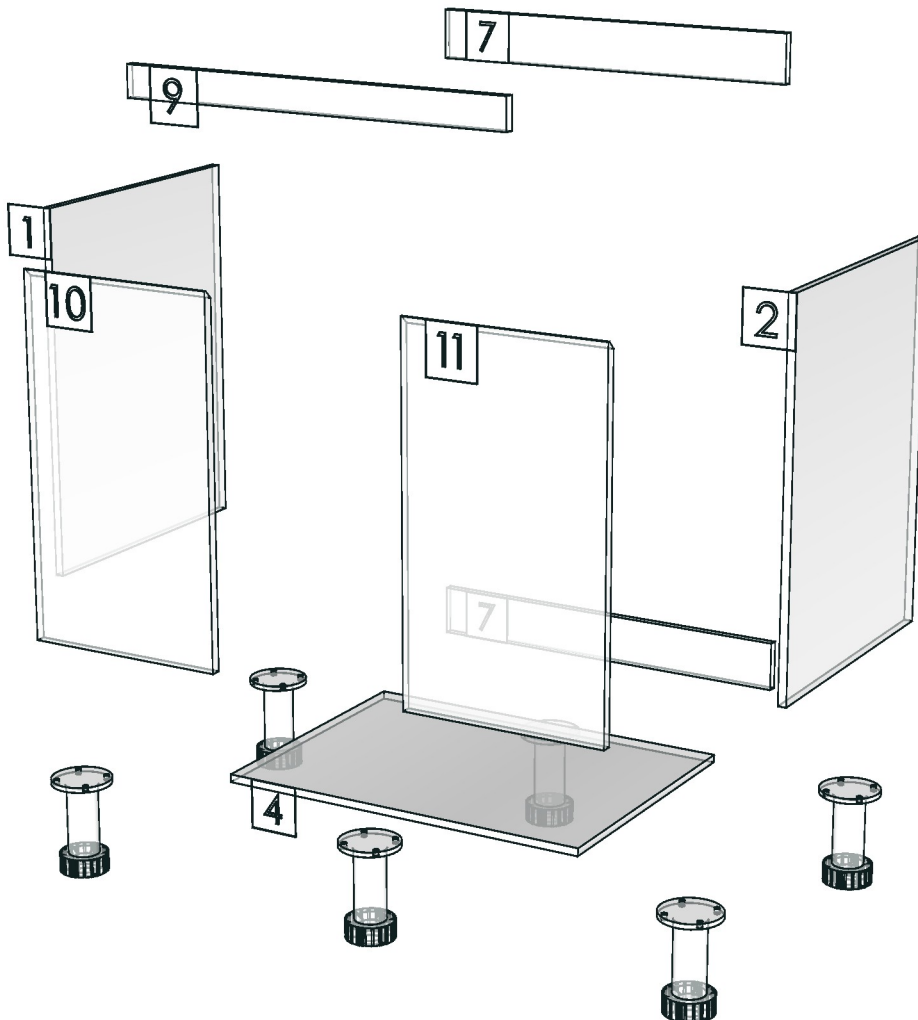
| | |
|-------------------------------------|-------------------|
| R&D REVIEW | |
| <input checked="" type="checkbox"/> | DWG.Customer |
| <input checked="" type="checkbox"/> | Work Report |
| <input type="checkbox"/> | Function |
| <input type="checkbox"/> | สินค้าตรงตัวอย่าง |
| ผู้ทบทวน _____ | |
| _____ | |

K103L-160174504

K103R-160174512



| | | | |
|-----------------|-----------------|------------------|--------------------|
| Model | -FLEXI_RC_DBS80 | | |
| Creator | | .BCP Name | INDEX_C3D_KITCHEN2 |
| Reviewer | | Order | I004928 |
| Approves | | Date | |



| | | | |
|-----------------|-----------------|------------------|--------------------|
| Model | FLEXI_RC_DDM900 | | |
| Creator | PASATHORN | .BCP Name | INDEX_C3D_KITCHEN2 |
| Reviewer | | Order | I004662 |
| Approves | P.SAWAI | Date | 18/12/2025 |

FLEXI_RC_DDM900-900X16X100

Colour

02.62 FOIL 75GMS.MD216(SANSTONE)AQ-264KB(AQ PAPER)_

-
-
-
-

Edge

01.155 1 SANDSTONE (P7-500M1) _

-
-
-
-

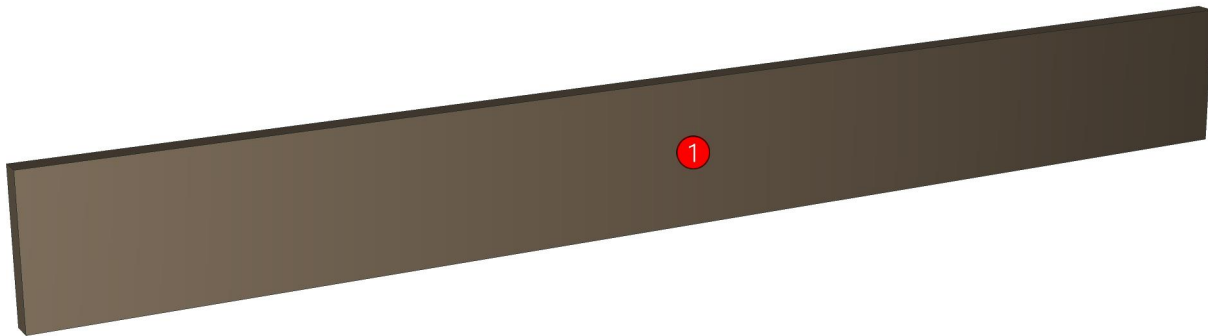
R&D REVIEW

- DWG.Customer
- Work Report
- Function
- สินค้าตรงตัวอย่าง

ผู้ทบทวน P.SAWAI
25/8/2563

K103L-160174504

K103R-160174512



| | | | |
|-----------------|-----------------|------------------|--------------------|
| Model | FLEXI_RC_DDM900 | | |
| Creator | PASATHORN | .BCP Name | INDEX_C3D_KITCHEN2 |
| Reviewer | | Order | I004662 |
| Approves | P. SAWAI | Date | 18/12/2025 |

| No. | Article No. | Description | Mat | Dimension | Cutting Size | Typepology | Skin |
|-----|--------------------|-----------------|-------|------------|-----------------|-------------------------------------|------|
| 0 | FLEXI_RC_DDM900 | FLEXI_RC_DDM900 | | 900x100x16 | | | |
| | FLEXI_RC_DDM900-01 | DDM-SP | PB-SP | 16x100x900 | 16X98X898;L2:W2 | 183000_STR=02.62_EDG=SANDSTONE073-1 | 2 |

| | | | |
|-----------------|--------------|------------------|--------------------|
| Model | FLEXI_RC_DFB | | |
| Creator | PASATHORN | .BCP Name | INDEX_C3D_KITCHEN2 |
| Reviewer | | Order | I004666 |
| Approves | P.SAWAI | Date | 22/12/2025 |

FLEXI_RC_DFB-150X16X738

Colour

02.78 FOIL 45GMS.MD627(VALENTINO)AQ-346-15KBWG(AQ PAPER)_

-
-
-
-

Edge

01.261 1 MD627 _

-
-
-
-

R&D REVIEW

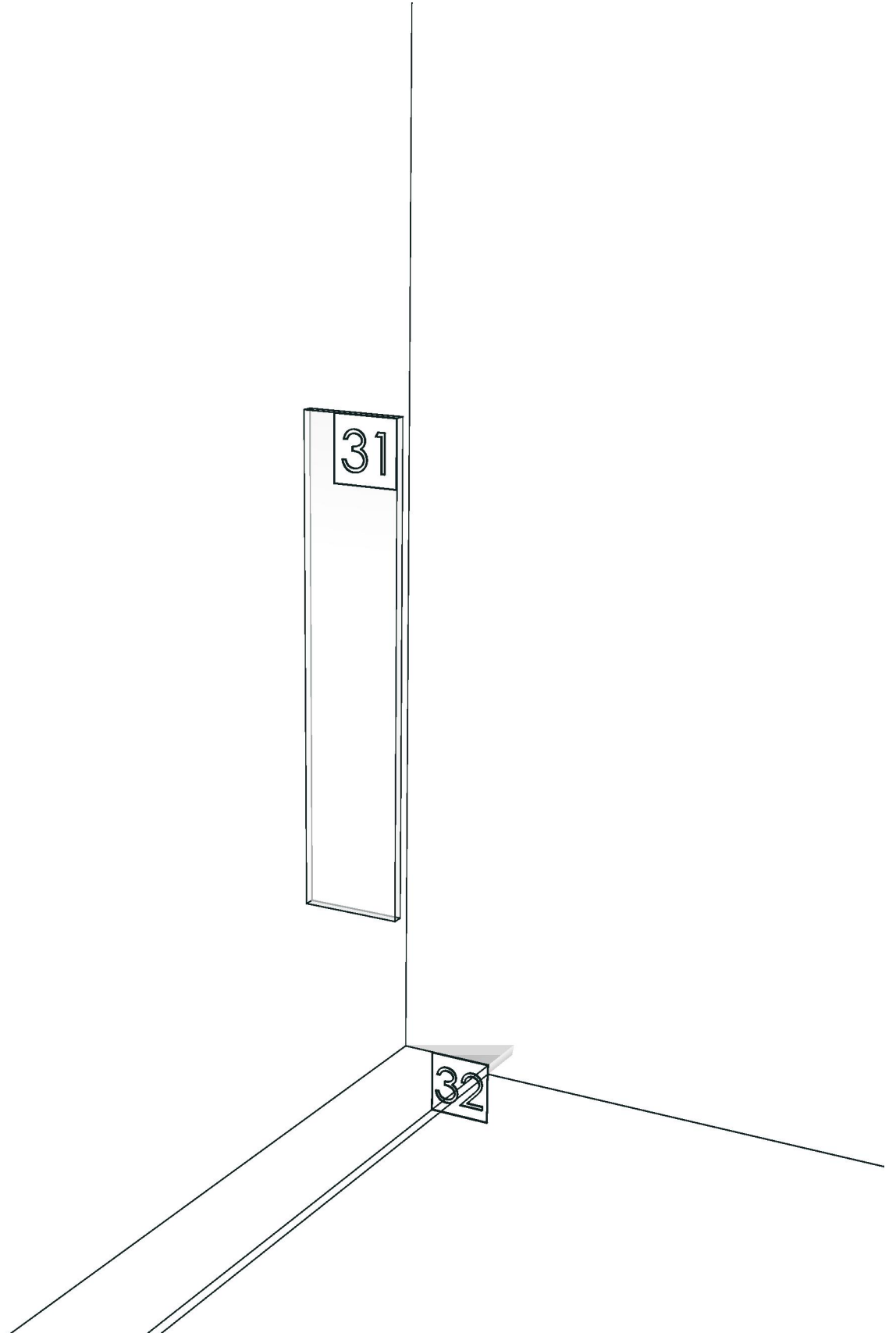
- DWG.Customer
- Work Report
- Function
- สินค้าตรงตัวอย่าง

ผู้ทบทวน P.SAWAI
22/12/25

- K101L-160174777
- K101R-160174785
- K102L-160174496
- K102R-160124673
- K103L-160174504
- K103R-160174512



| | | | |
|-----------------|---------------|------------------|--------------------|
| Model | -FLEXI_RC_DFB | | |
| Creator | | .BCP Name | INDEX_C3D_KITCHEN2 |
| Reviewer | | Order | I004666 |
| Approves | P. SAWAI | Date | |



| | | | |
|-----------------|---------------|------------------|--------------------|
| Model | FLEXI_RC_DFL1 | | |
| Creator | PASATHORN | .BCP Name | INDEX_C3D_KITCHEN2 |
| Reviewer | | Order | I004659 |
| Approves | P.SAWAI | Date | 16/12/2025 |

FLEXI_RC_DFL1-150X16X800

Colour

02.62 FOIL 75GMS.MD216(SANSTONE)AQ-264KB(AQ PAPER)_

-
-
-
-

Edge

01.155 1 SANDSTONE (P7-500M1) _

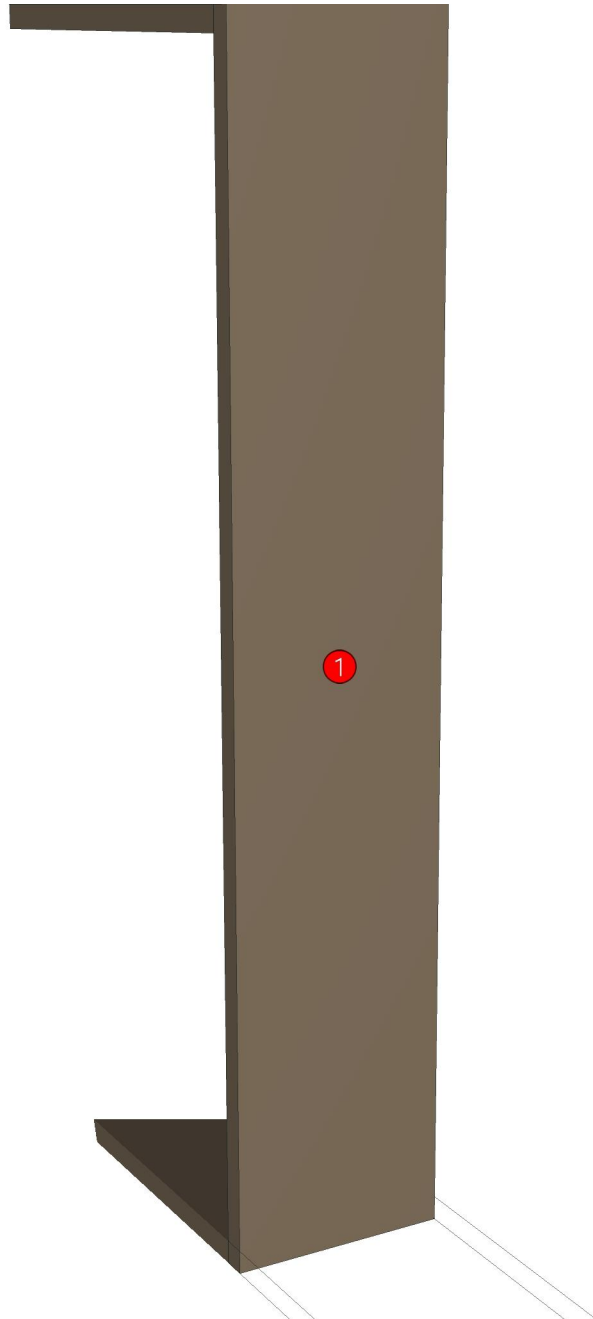
-
-
-
-

R&D REVIEW

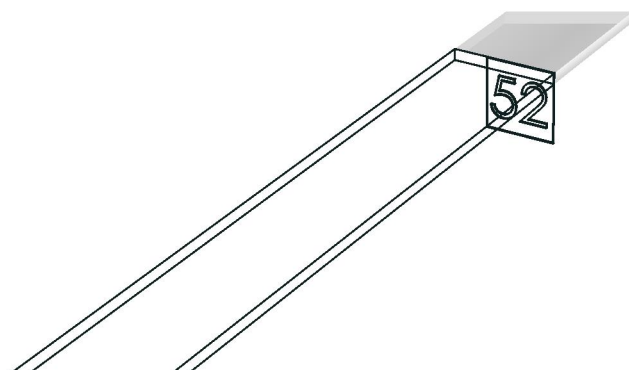
- DWG.Customer
- Work Report
- Function
- สินค้าตรงตัวอย่าง

ผู้ทบทวน P.SAWAI
16/12/25

- K102L-160174496
- K102R-160124673
- K103L-160174504
- K103R-160174512



| | | | |
|-----------------|----------------|------------------|--------------------|
| Model | -FLEXI_RC_DFL1 | | |
| Creator | | .BCP Name | INDEX_C3D_KITCHEN2 |
| Reviewer | | Order | I004659 |
| Approves | P. SAWAI | Date | |



| | | | |
|-----------------|---------------|------------------|--------------------|
| Model | FLEXI_RC_DFL2 | | |
| Creator | PASATHORN | .BCP Name | INDEX_C3D_KITCHEN2 |
| Reviewer | | Order | I004660 |
| Approves | P.SAWAI | Date | 16/12/2025 |

FLEXI_RC_DFL2-150X16X700

Colour

02.62 FOIL 75GMS.MD216(SANSTONE)AQ-264KB(AQ PAPER)_

-
-
-
-

Edge

01.155 1 SANDSTONE (P7-500M1) _

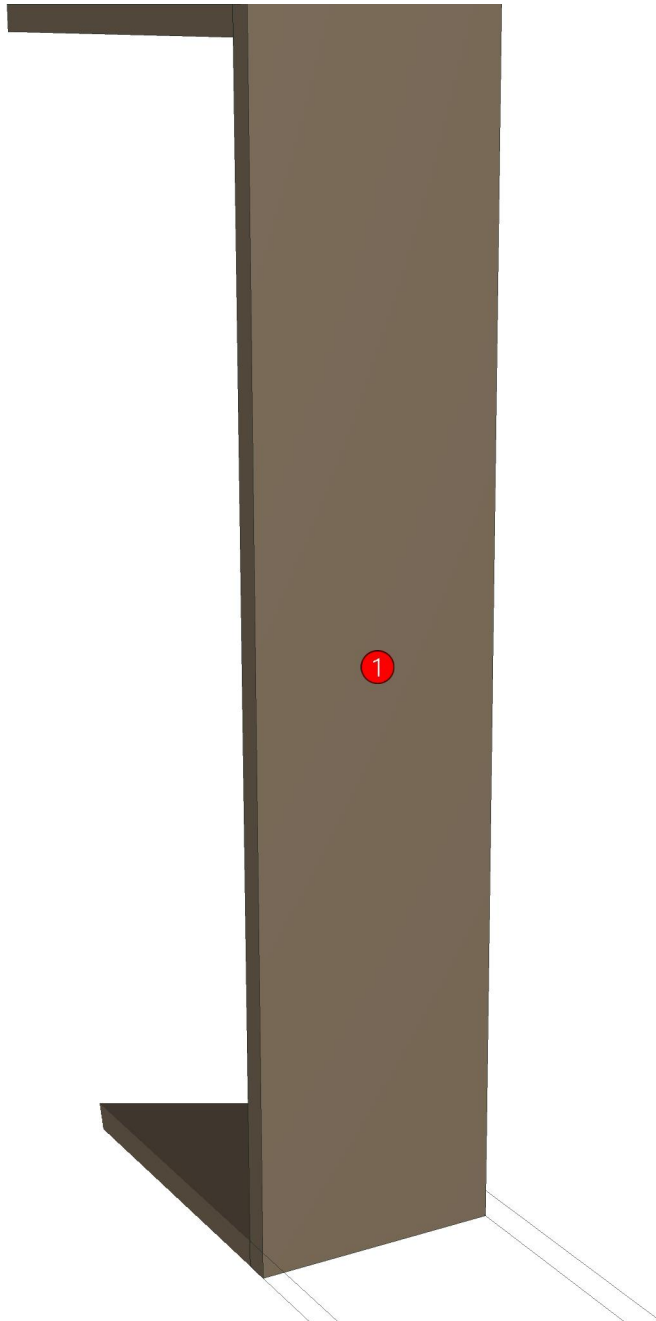
-
-
-
-

R&D REVIEW

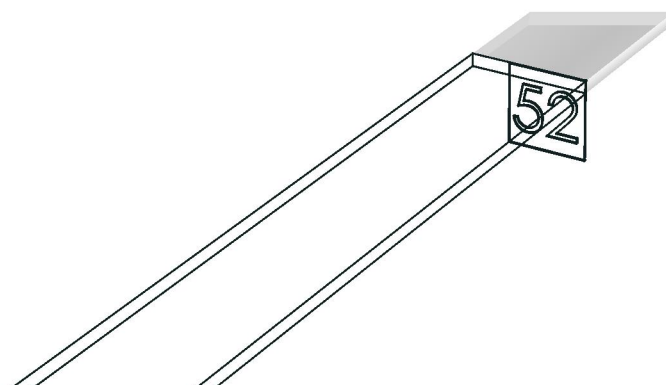
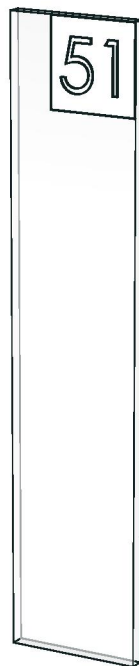
- DWG.Customer
- Work Report
- Function
- สินค้าตรงตัวอย่าง

ผู้ทบทวน P.SAWAI
16/12/2025

- K101L-160174777
- K101R-160174785
- K102L-160174496
- K102R-160124673
- K103L-160174504
- K103R-160174512



| | | | |
|-----------------|----------------|------------------|--------------------|
| Model | -FLEXI_RC_DFL2 | | |
| Creator | | .BCP Name | INDEX_C3D_KITCHEN2 |
| Reviewer | | Order | I004660 |
| Approves | P.SAWAI | Date | |



| | | | |
|-----------------|---------------------|------------------|--------------------|
| Model | FLEXI_RC_DF_CL1600G | | |
| Creator | PASATHORN | .BCP Name | INDEX_C3D_KITCHEN2 |
| Reviewer | | Order | I004658 |
| Approves | P.SAWAI | Date | 16/12/2025 |

FLEXI_RC_DF_CL1600G-1600X16X150

Colour

02.62 FOIL 75GMS.MD216(SANSTONE)AQ-264KB(AQ PAPER)_

-
-
-
-

Edge

01.155 1 SANDSTONE (P7-500M1) _

-
-
-
-

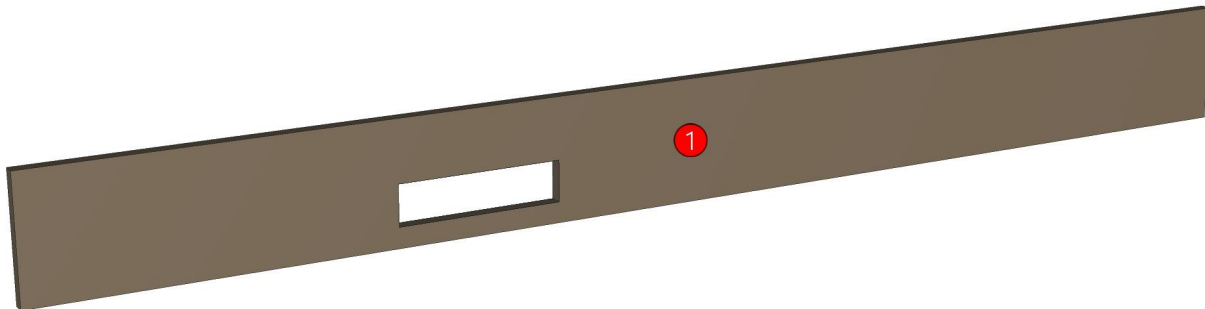
R&D REVIEW

- DWG.Customer
- Work Report
- Function
- สินค้าตรงตัวอย่าง

ผู้ทบทวน P.SAWAI
16/12/2025

K103L-160174504

K103R-160174512



| | | | |
|-----------------|---------------------|------------------|--------------------|
| Model | FLEXI_RC_DF_CL1600G | | |
| Creator | PASATHORN | .BCP Name | INDEX_C3D_KITCHEN2 |
| Reviewer | | Order | I004658 |
| Approves | P. SAWAI | Date | 16/12/2025 |

| No. | Article No. | Description | Mat | Dimension | Cutting Size | Typepology | Skin |
|-----|------------------------|---------------------|-------|-------------|-------------------|-------------------------------------|------|
| 0 | FLEXI_RC_DF_CL1600G | FLEXI_RC_DF_CL1600G | | 1600x150x16 | | | |
| | FLEXI_RC_DF_CL1600G-01 | DFCL-SP | PB-SP | 16x150x1600 | 16X149X1600;L1:W0 | 183000_STR=02.62_EDG=SANDSTONE073-1 | 2 |

| | | | |
|-----------------|-----------------|------------------|--------------------|
| Model | FLEXI_RC_DL60HL | | |
| Creator | PASATHORN | .BCP Name | INDEX_C3D_KITCHEN2 |
| Reviewer | | Order | I004665 |
| Approves | P.SAWAI | Date | 19/12/2025 |

FLEXI_RC_DL60HL-600X300X760

Colour

02.62 FOIL 75GMS.MD216(SANSTONE)AQ-264KB(AQ PAPER)_

-

-

-

-

K100R-160174489

K101R-160174785

K102R-160124673

K103R-160174512

Edge

01.155 1 SANDSTONE (P7-500M1) _

-

-

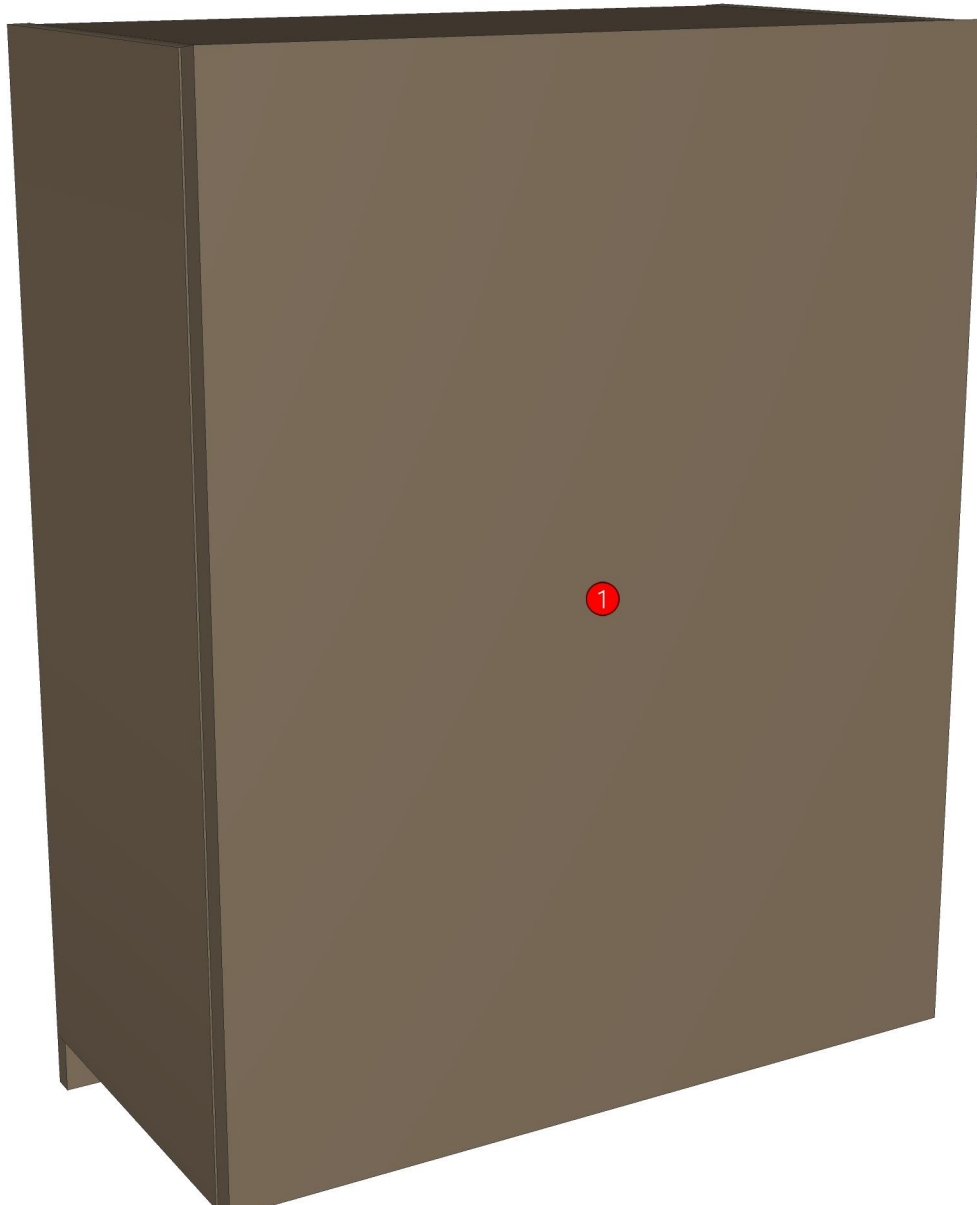
-

-

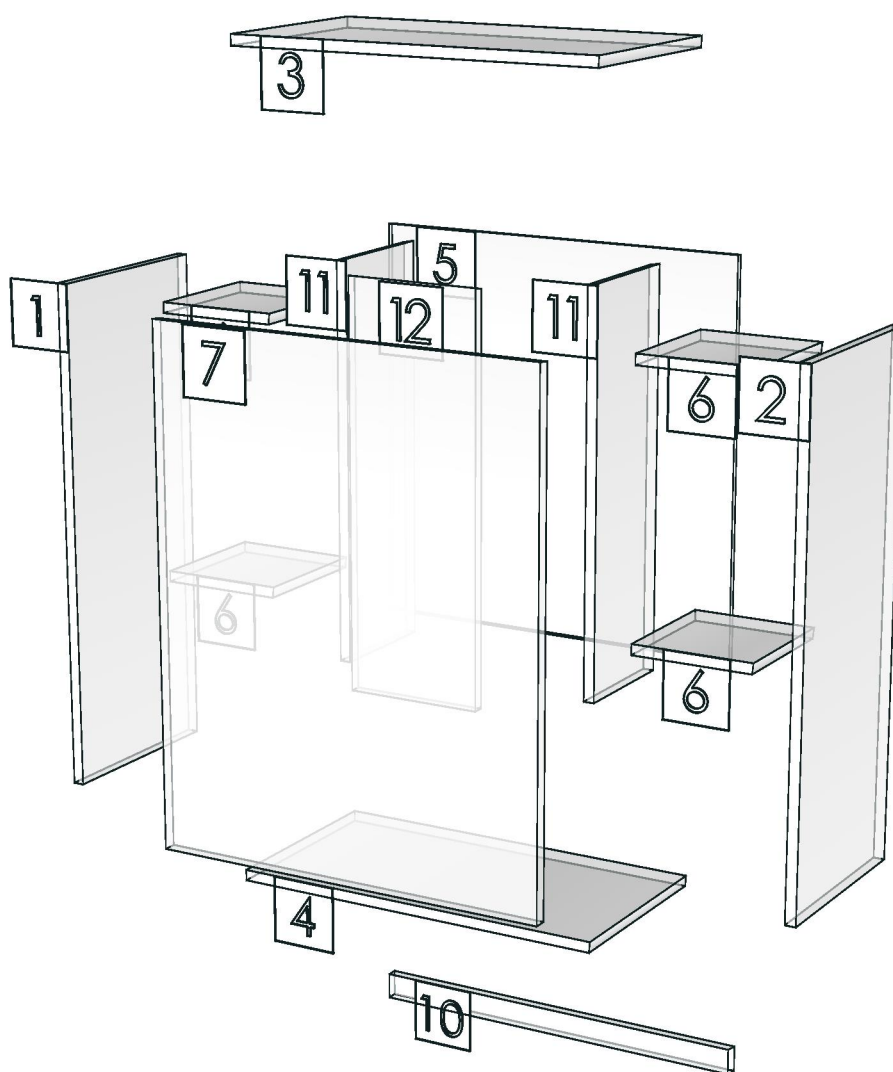
R&D REVIEW

- DWG.Customer
- Work Report
- Function
- สินค้าตรงตัวอย่าง

ผู้ทบทวน P.SAWAI
19/12/25



| | | | |
|-----------------|------------------|------------------|--------------------|
| Model | -FLEXI_RC_DL60HL | | |
| Creator | | .BCP Name | INDEX_C3D_KITCHEN2 |
| Reviewer | | Order | I004665 |
| Approves | P.SAWAI | Date | |



| | | | |
|-----------------|-----------------|------------------|--------------------|
| Model | FLEXI_RC_DLO80R | | |
| Creator | PASATHORN | .BCP Name | INDEX_C3D_KITCHEN2 |
| Reviewer | | Order | I004664 |
| Approves | P.SAWAI | Date | 19/12/2025 |

FLEXI_RC_DLO80R-800X300X700

Colour

02.62 FOIL 75GMS.MD216(SANSTONE)AQ-264KB(AQ PAPER)_

-
-
-
-

Edge

01.155 1 SANDSTONE (P7-500M1) _

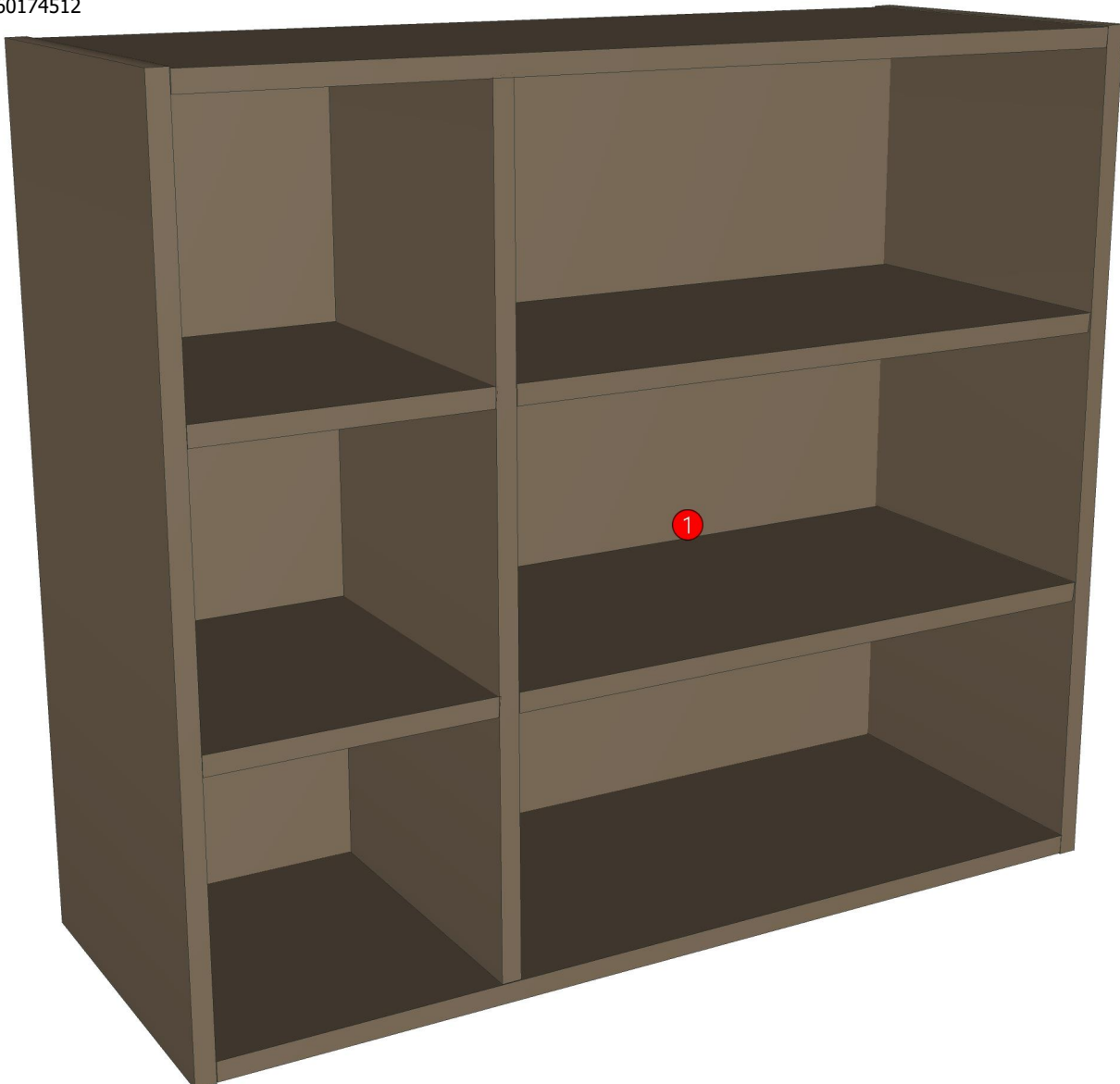
-
-
-
-

R&D REVIEW

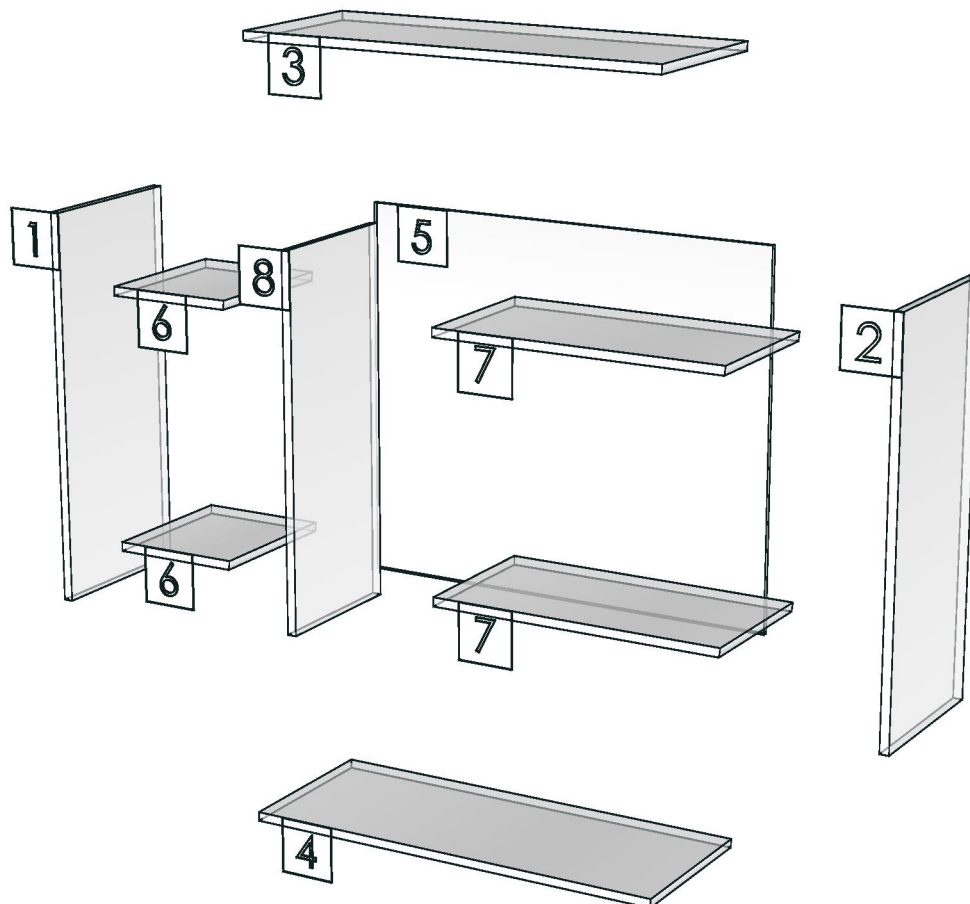
- DWG.Customer
- Work Report
- Function
- สินค้าตรงตัวอย่าง

ผู้ทบทวน P.SAWAI
25/12/25

K103R-160174512



| | | | |
|-----------------|------------------|------------------|--------------------|
| Model | -FLEXI_RC_DLO80R | | |
| Creator | | .BCP Name | INDEX_C3D_KITCHEN2 |
| Reviewer | | Order | I004664 |
| Approves | P. SAWAI | Date | |



| | | | |
|-----------------|--------------------|------------------|--------------------|
| Model | FLEXI_RC_D_PLT1600 | | |
| Creator | PASATHORN | .BCP Name | INDEX_C3D_KITCHEN2 |
| Reviewer | | Order | I004656 |
| Approves | P.SAWAI | Date | 16/12/2025 |

FLEXI_RC_D_PLT1600-1600X9X100

Colour

02.78 FOIL 45GMS.MD627(VALENTINO)AQ-346-15KBWG(AQ PAPER)_

-
-
-
-

Edge

01.261 1 MD627 _

-
-
-
-

R&D REVIEW

DWG.Customer

Work Report

Function

สินค้าตรงตัวอย่าง

ผู้ทบทวน P.SAWAI

25/8/2563

K103L-160174504

K103R-160174512



| | | | |
|-----------------|--------------------|------------------|--------------------|
| Model | FLEXI_RC_D_PLT1600 | | |
| Creator | PASATHORN | .BCP Name | INDEX_C3D_KITCHEN2 |
| Reviewer | | Order | I004656 |
| Approves | P. SAWAI | Date | 16/12/2025 |

| No. | Article No. | Description | Mat | Dimension | Cutting Size | Typepology | Skin |
|-----|-----------------------|--------------------|-------|------------|-----------------|--------------------------------|------|
| 0 | FLEXI_RC_D_PLT1600 | FLEXI_RC_D_PLT1600 | | 1600x100x9 | | | |
| | FLEXI_RC_D_PLT1600-01 | DPLINT | PB-SP | 9x100x1600 | 9X98X1598;L2:W2 | 183000 _STR=02.78 _EDG=MD627-1 | 2 |