

<b>Model</b>	FLEXI_RC_DBH602GL		
<b>Creator</b>	PASATHORN	<b>.BCP Name</b>	INDEX_C3D_KITCHEN2
<b>Reviewer</b>		<b>Order</b>	I004690
<b>Approves</b>		<b>Date</b>	08/01/2026

## **FLEXI\_RC\_DBH602GL-600X570X838**

### **Colour**

02.78 FOIL 45GMS.MD627(VALENTINO)AQ-346-15KBWG(AQ PAPER)\_

02.62 FOIL 75GMS.MD216(SANSTONE)AQ-264KB(AQ PAPER)\_

-

-

-

K100R-160174489

K101R-160174785

### **Edge**

01.261 1 MD627 \_

01.155 1 SANDSTONE (P7-500M1) \_

-

-

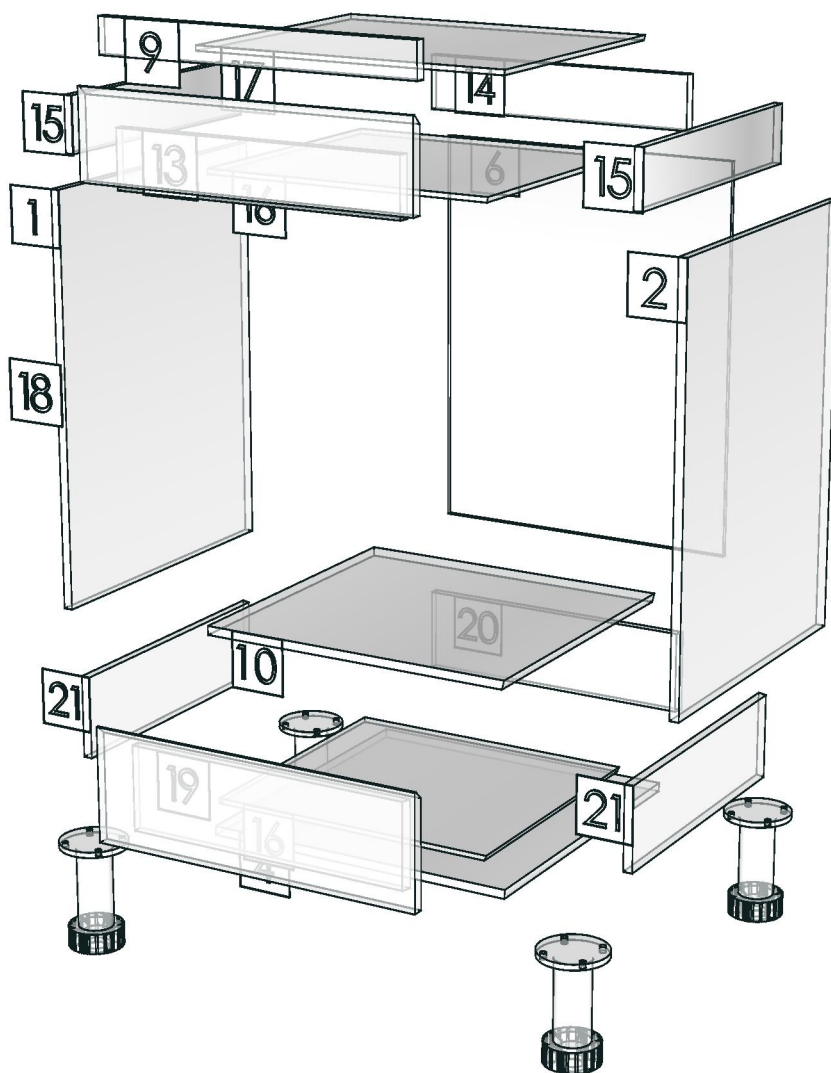
-

<b>R&amp;D REVIEW</b>	
<input checked="" type="checkbox"/>	DWG.Customer
<input checked="" type="checkbox"/>	Work Report
<input type="checkbox"/>	Function
<input type="checkbox"/>	สินค้าตรงตัวอย่าง
ผู้ทบทวน _____	
_____	



<b>Model</b>	-FLEXI_RC_DBH602GL		
<b>Creator</b>		<b>.BCP Name</b>	INDEX_C3D_KITCHEN2
<b>Reviewer</b>		<b>Order</b>	I004690
<b>Approves</b>		<b>Date</b>	

12



<b>Model</b>	FLEXI_RC_DBS55R		
<b>Creator</b>	PASATHORN	<b>.BCP Name</b>	INDEX_C3D_KITCHEN2
<b>Reviewer</b>		<b>Order</b>	I004688
<b>Approves</b>		<b>Date</b>	08/01/2026

## **FLEXI\_RC\_DBS55R-550X570X838**

**Colour**

02.78 FOIL 45GMS.MD627(VALENTINO)AQ-346-15KBWG(AQ PAPER)\_

-  
-  
-  
-

**Edge**

01.261 1 MD627 \_

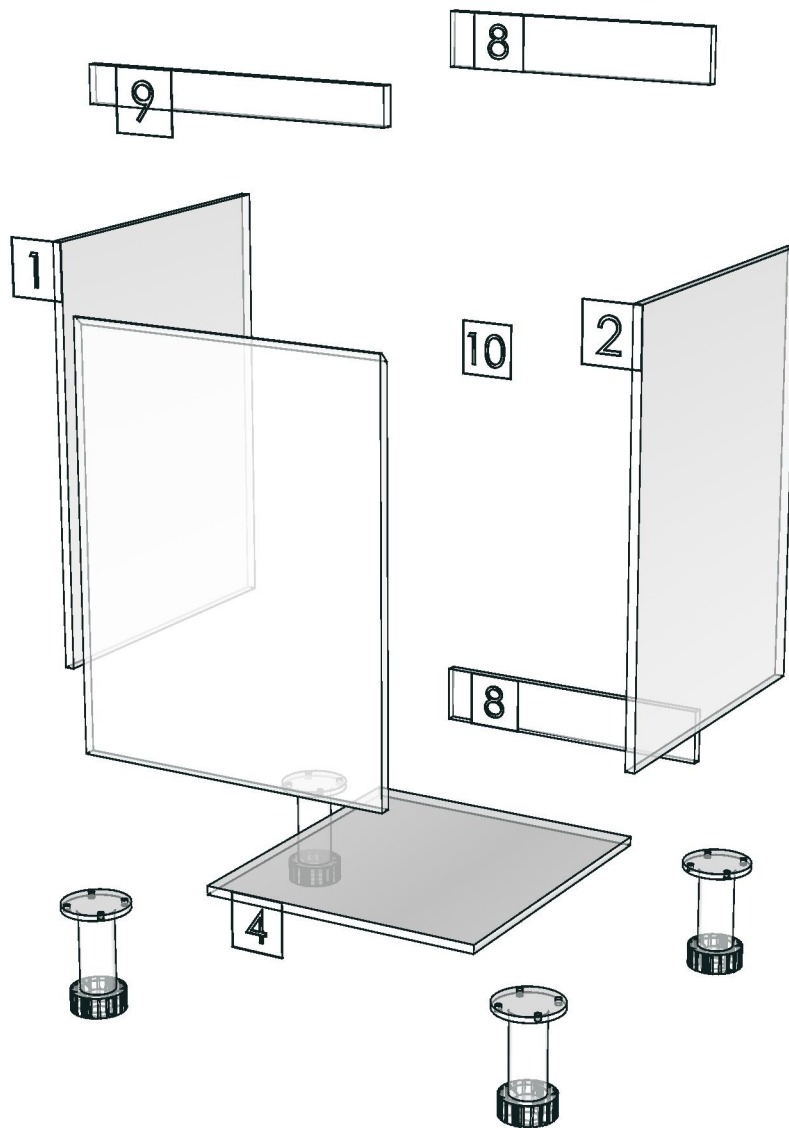
-  
-  
-  
-

K101R-160174785

<b>R&amp;D REVIEW</b>	
<input checked="" type="checkbox"/>	DWG.Customer
<input checked="" type="checkbox"/>	Work Report
<input type="checkbox"/>	Function
<input type="checkbox"/>	สินค้าตรงตัวอย่าง
ผู้ทบทวน _____	
_____	



<b>Model</b>	-FLEXI_RC_DBS55R		
<b>Creator</b>		<b>.BCP Name</b>	INDEX_C3D_KITCHEN2
<b>Reviewer</b>		<b>Order</b>	I004688
<b>Approves</b>		<b>Date</b>	



<b>Model</b>	FLEXI_RC_DDM650		
<b>Creator</b>	PASATHORN	<b>.BCP Name</b>	INDEX_C3D_KITCHEN2
<b>Reviewer</b>		<b>Order</b>	I004680
<b>Approves</b>		<b>Date</b>	08/01/2026

## **FLEXI\_RC\_DDM650-650X16X100**

**Colour**

02.62 FOIL 75GMS.MD216(SANSTONE)AQ-264KB(AQ PAPER)\_

-  
-  
-  
-

**Edge**

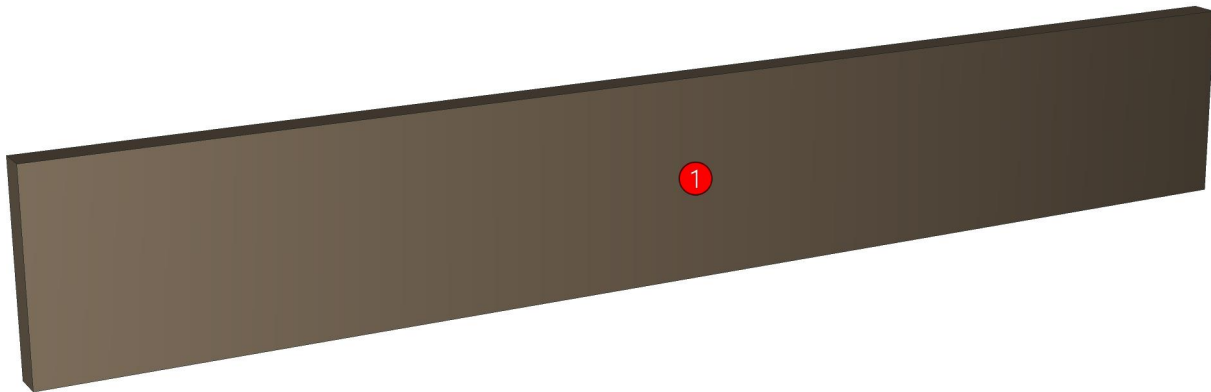
01.155 1 SANDSTONE (P7-500M1) \_

-  
-  
-  
-

K101L-160174777

K101R-160174785

<b>R&amp;D REVIEW</b>	
<input checked="" type="checkbox"/>	DWG.Customer
<input checked="" type="checkbox"/>	Work Report
<input type="checkbox"/>	Function
<input type="checkbox"/>	สินค้าตรงตัวอย่าง
ผู้ทบทวน _____	



<b>Model</b>	FLEXI_RC_DDM650		
<b>Creator</b>	PASATHORN	<b>.BCP Name</b>	INDEX_C3D_KITCHEN2
<b>Reviewer</b>		<b>Order</b>	I004680
<b>Approves</b>		<b>Date</b>	08/01/2026

No.	Article No.	Description	Mat	Dimension	Cutting Size	Typepology	Skin
0	FLEXI_RC_DDM650	FLEXI_RC_DDM650		650x100x16			
	FLEXI_RC_DDM650-01	DDM-SP	PB-SP	16x100x650	16X98X649;L2:W1	183000_STR=02.62_EDG=SANDSTONE073-1	2

<b>Model</b>	FLEXI_RC_DFB		
<b>Creator</b>	PASATHORN	<b>.BCP Name</b>	INDEX_C3D_KITCHEN2
<b>Reviewer</b>		<b>Order</b>	I004666
<b>Approves</b>	P.SAWAI	<b>Date</b>	22/12/2025

## **FLEXI\_RC\_DFB-150X16X738**

**Colour**

02.78 FOIL 45GMS.MD627(VALENTINO)AQ-346-15KBWG(AQ PAPER)\_

-  
-  
-  
-

**Edge**

01.261 1 MD627 \_

-  
-  
-  
-

**R&D REVIEW**

DWG.Customer

Work Report

Function

สินค้าตรงตัวอย่าง

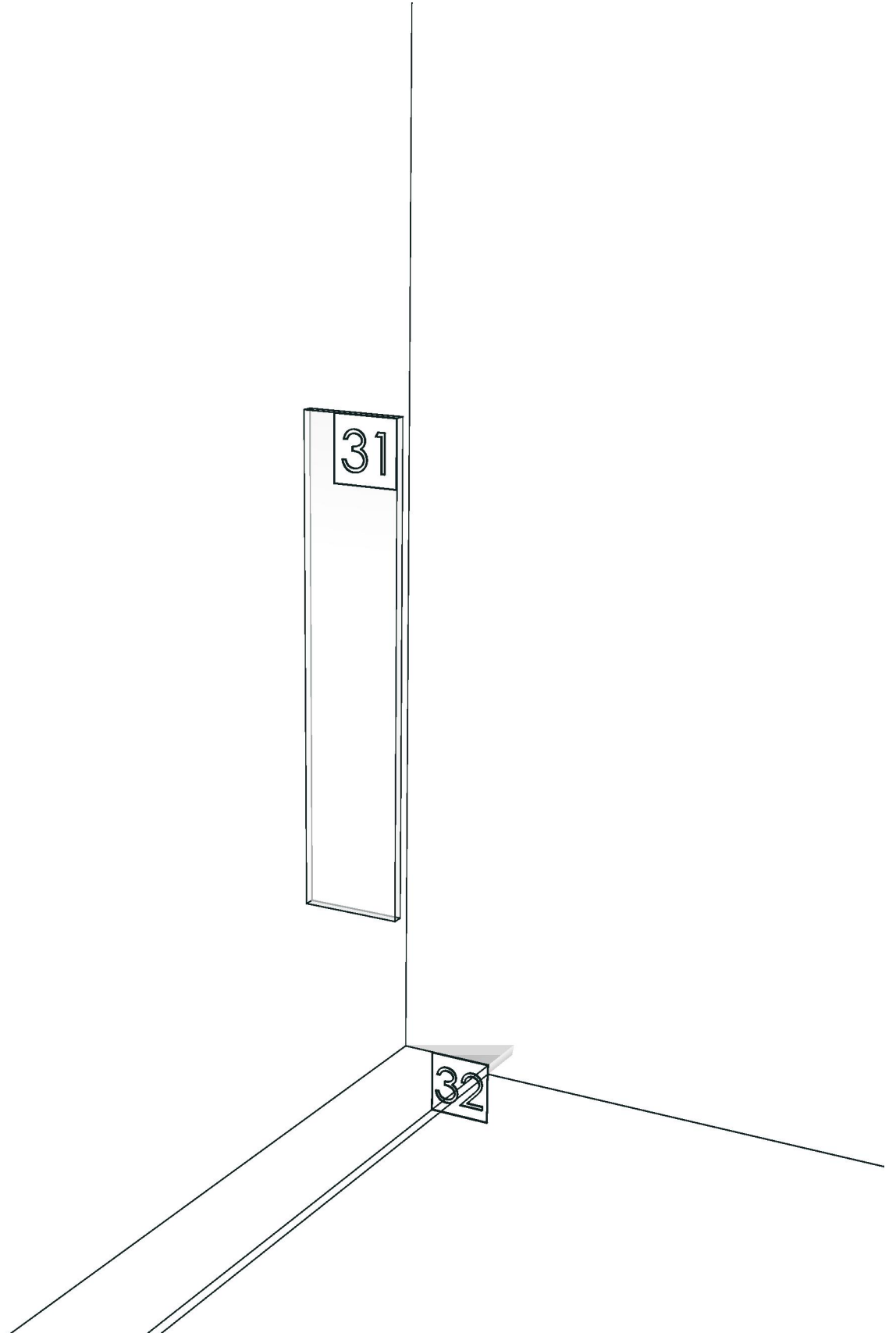
ผู้ทบทวน P.SAWAI

22/12/25

- K101L-160174777
- K101R-160174785
- K102L-160174496
- K102R-160124673
- K103L-160174504
- K103R-160174512



<b>Model</b>	-FLEXI_RC_DFB		
<b>Creator</b>		<b>.BCP Name</b>	INDEX_C3D_KITCHEN2
<b>Reviewer</b>		<b>Order</b>	I004666
<b>Approves</b>	P. SAWAI	<b>Date</b>	



<b>Model</b>	FLEXI_RC_DFL2		
<b>Creator</b>	PASATHORN	<b>.BCP Name</b>	INDEX_C3D_KITCHEN2
<b>Reviewer</b>		<b>Order</b>	I004660
<b>Approves</b>	P.SAWAI	<b>Date</b>	16/12/2025

## **FLEXI\_RC\_DFL2-150X16X700**

**Colour**

02.62 FOIL 75GMS.MD216(SANSTONE)AQ-264KB(AQ PAPER)\_

-  
-  
-  
-

**Edge**

01.155 1 SANDSTONE (P7-500M1) \_

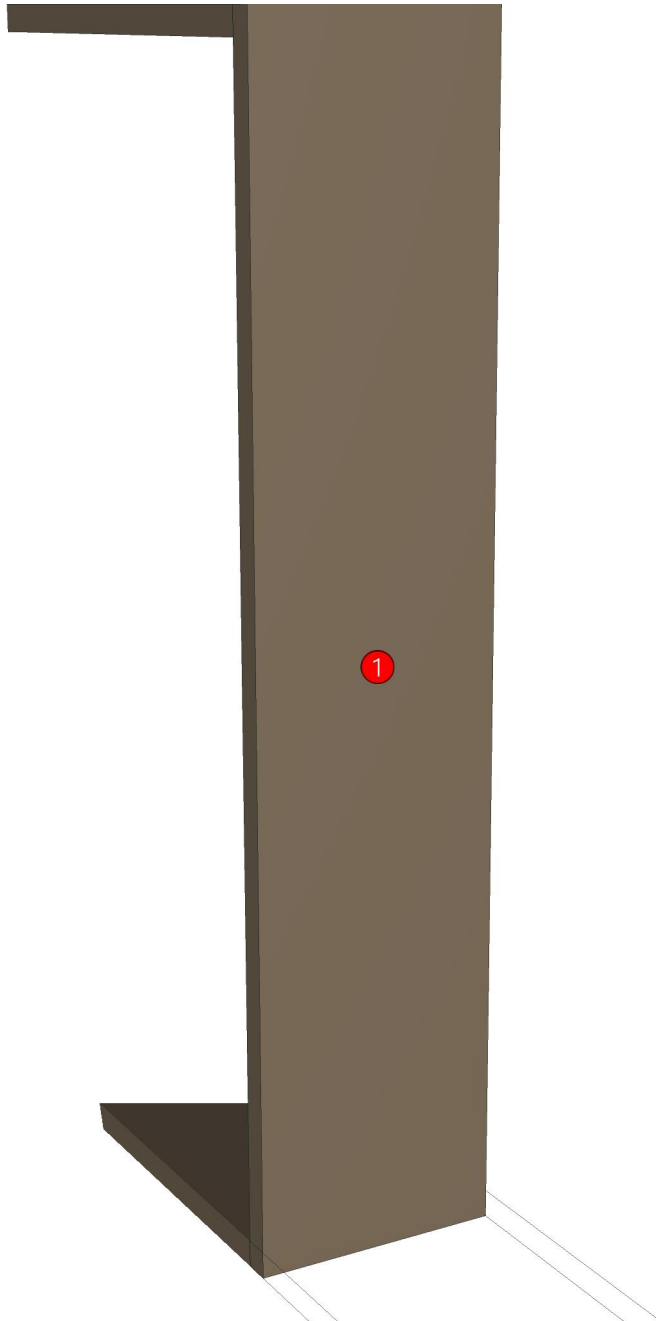
-  
-  
-  
-

**R&D REVIEW**

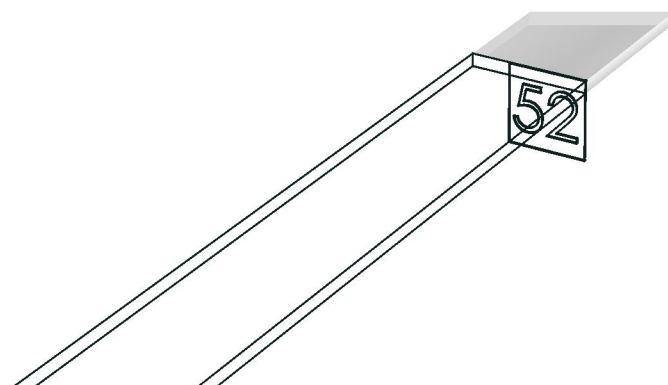
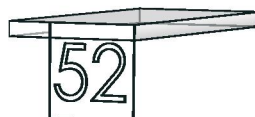
- DWG.Customer
- Work Report
- Function
- สินค้าตรงตัวอย่าง

ผู้ทบทวน P.SAWAI  
25/12/25

- K101L-160174777
- K101R-160174785
- K102L-160174496
- K102R-160124673
- K103L-160174504
- K103R-160174512



<b>Model</b>	-FLEXI_RC_DFL2		
<b>Creator</b>		<b>.BCP Name</b>	INDEX_C3D_KITCHEN2
<b>Reviewer</b>		<b>Order</b>	I004660
<b>Approves</b>	P.SAWAI	<b>Date</b>	



<b>Model</b>	FLEXI_RC_DF_CL1250G		
<b>Creator</b>	PASATHORN	<b>.BCP Name</b>	INDEX_C3D_KITCHEN2
<b>Reviewer</b>		<b>Order</b>	I004678
<b>Approves</b>		<b>Date</b>	08/01/2026

## **FLEXI\_RC\_DF\_CL1250G-1250X16X150**

**Colour**

02.62 FOIL 75GMS.MD216(SANSTONE)AQ-264KB(AQ PAPER)\_

-  
-  
-  
-

**Edge**

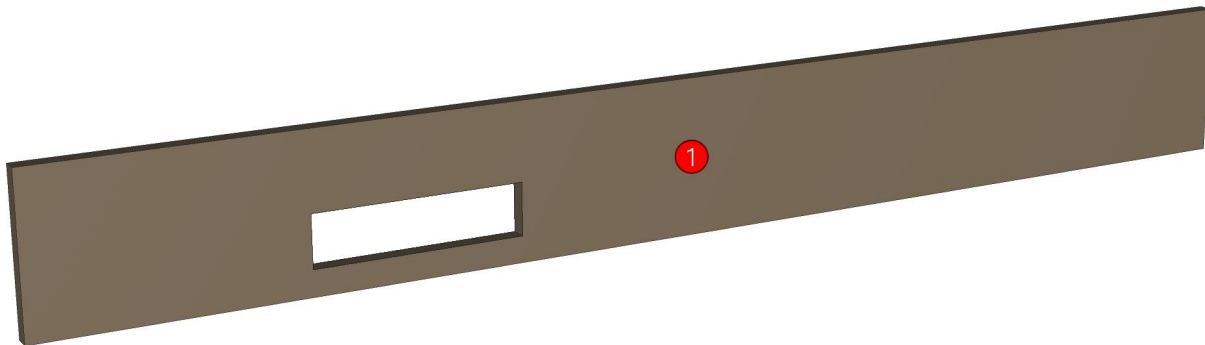
01.155 1 SANDSTONE (P7-500M1) \_

-  
-  
-  
-

K101L-160174777

K101R-160174785

<b>R&amp;D REVIEW</b>	
<input checked="" type="checkbox"/>	DWG.Customer
<input checked="" type="checkbox"/>	Work Report
<input type="checkbox"/>	Function
<input type="checkbox"/>	สินค้าตรงตัวอย่าง
ผู้ทบทวน _____	



<b>Model</b>	FLEXI_RC_DF_CL1250G		
<b>Creator</b>	PASATHORN	<b>.BCP Name</b>	INDEX_C3D_KITCHEN2
<b>Reviewer</b>		<b>Order</b>	I004678
<b>Approves</b>		<b>Date</b>	08/01/2026

No.	Article No.	Description	Mat	Dimension	Cutting Size	Typepology	Skin
0	FLEXI_RC_DF_CL1250G	FLEXI_RC_DF_CL1250G		1250x150x16			
	FLEXI_RC_DF_CL1250G-01	DFCL-SP	PB-SP	16x150x1250	16X149X1249;L1:W1	183000_STR=02.62_EDG=SANDSTONE073-1	2

<b>Model</b>	FLEXI_RC_DF_CL300		
<b>Creator</b>	PASATHORN	<b>.BCP Name</b>	INDEX_C3D_KITCHEN2
<b>Reviewer</b>		<b>Order</b>	I004679
<b>Approves</b>		<b>Date</b>	08/01/2026

## **FLEXI\_RC\_DF\_CL300-300X16X150**

**Colour**

02.62 FOIL 75GMS.MD216(SANSTONE)AQ-264KB(AQ PAPER)\_

-

-

-

K100L-160124666

K100R-160174489

K101L-160174777

K101R-160174785

**Edge**

01.155 1 SANDSTONE (P7-500M1) \_

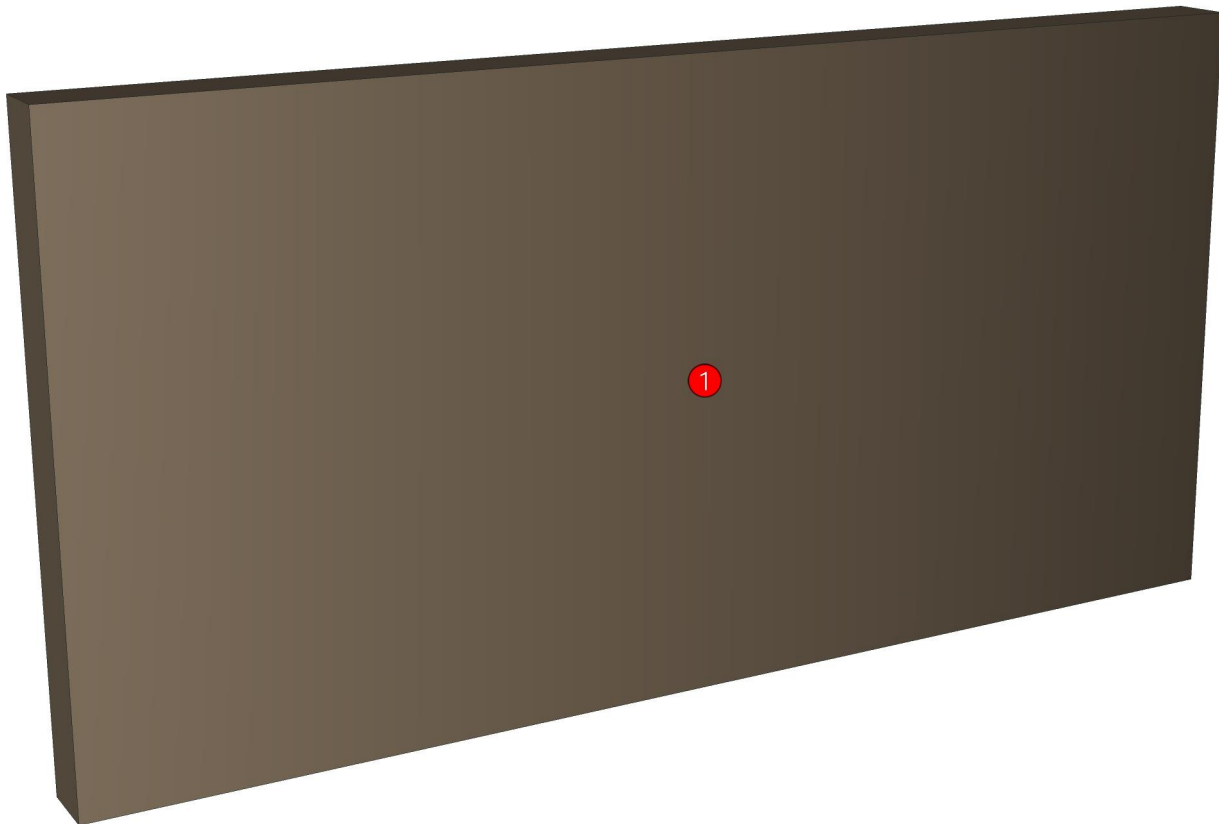
-

-

-

-

<b>R&amp;D REVIEW</b>	
<input checked="" type="checkbox"/>	DWG.Customer
<input checked="" type="checkbox"/>	Work Report
<input type="checkbox"/>	Function
<input type="checkbox"/>	สินค้าตรงตัวอย่าง
ผู้ทบทวน _____	



<b>Model</b>	FLEXI_RC_DF_CL300		
<b>Creator</b>	PASATHORN	<b>.BCP Name</b>	INDEX_C3D_KITCHEN2
<b>Reviewer</b>		<b>Order</b>	I004679
<b>Approves</b>		<b>Date</b>	08/01/2026

No.	Article No.	Description	Mat	Dimension	Cutting Size	Typepology	Skin
0	FLEXI_RC_DF_CL300	FLEXI_RC_DF_CL300		300x150x16			
	FLEXI_RC_DF_CL300-01	DFCL-SP	PB-SP	16x150x300	16X149X299;L1:W1	183000_STR=02.62_EDG=SANDSTONE073-1	2

<b>Model</b>	FLEXI_RC_DL60HL		
<b>Creator</b>	PASATHORN	<b>.BCP Name</b>	INDEX_C3D_KITCHEN2
<b>Reviewer</b>		<b>Order</b>	I004665
<b>Approves</b>	P.SAWAI	<b>Date</b>	19/12/2025

## **FLEXI\_RC\_DL60HL-600X300X760**

**Colour**

02.62 FOIL 75GMS.MD216(SANSTONE)AQ-264KB(AQ PAPER)\_

-

-

-

-

K100R-160174489

K101R-160174785

K102R-160124673

K103R-160174512

**Edge**

01.155 1 SANDSTONE (P7-500M1) \_

-

-

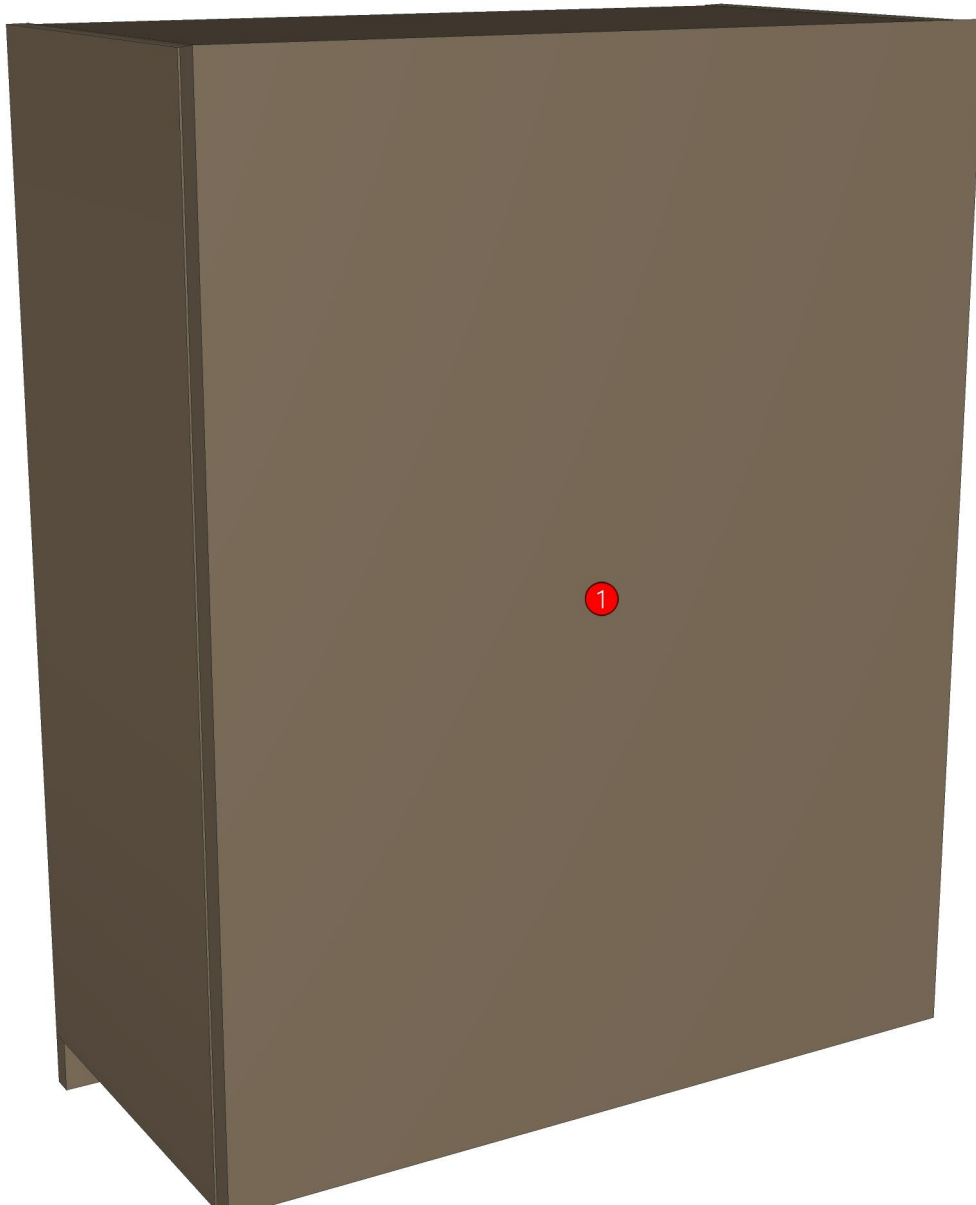
-

-

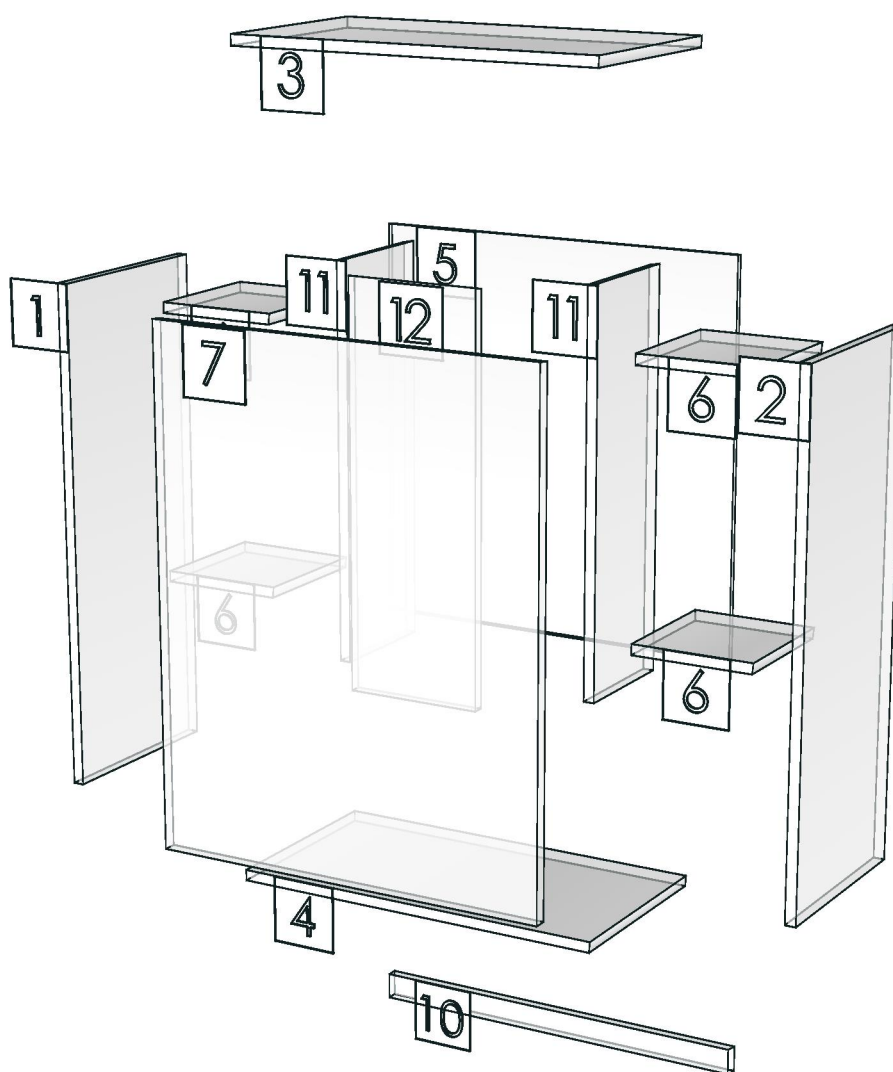
**R&D REVIEW**

- DWG.Customer
- Work Report
- Function
- สินค้าตรงตัวอย่าง

ผู้ทบทวน P.SAWAI  
19/12/25



<b>Model</b>	-FLEXI_RC_DL60HL		
<b>Creator</b>		<b>.BCP Name</b>	INDEX_C3D_KITCHEN2
<b>Reviewer</b>		<b>Order</b>	I004665
<b>Approves</b>	P.SAWAI	<b>Date</b>	



<b>Model</b>	FLEXI_RC_DLO55		
<b>Creator</b>	PASATHORN	<b>.BCP Name</b>	INDEX_C3D_KITCHEN2
<b>Reviewer</b>		<b>Order</b>	I004681
<b>Approves</b>		<b>Date</b>	08/01/2026

## **FLEXI\_RC\_DLO55-550X300X700**

**Colour**

02.62 FOIL 75GMS.MD216(SANSTONE)AQ-264KB(AQ PAPER)\_

-  
-  
-  
-

K101L-160174777

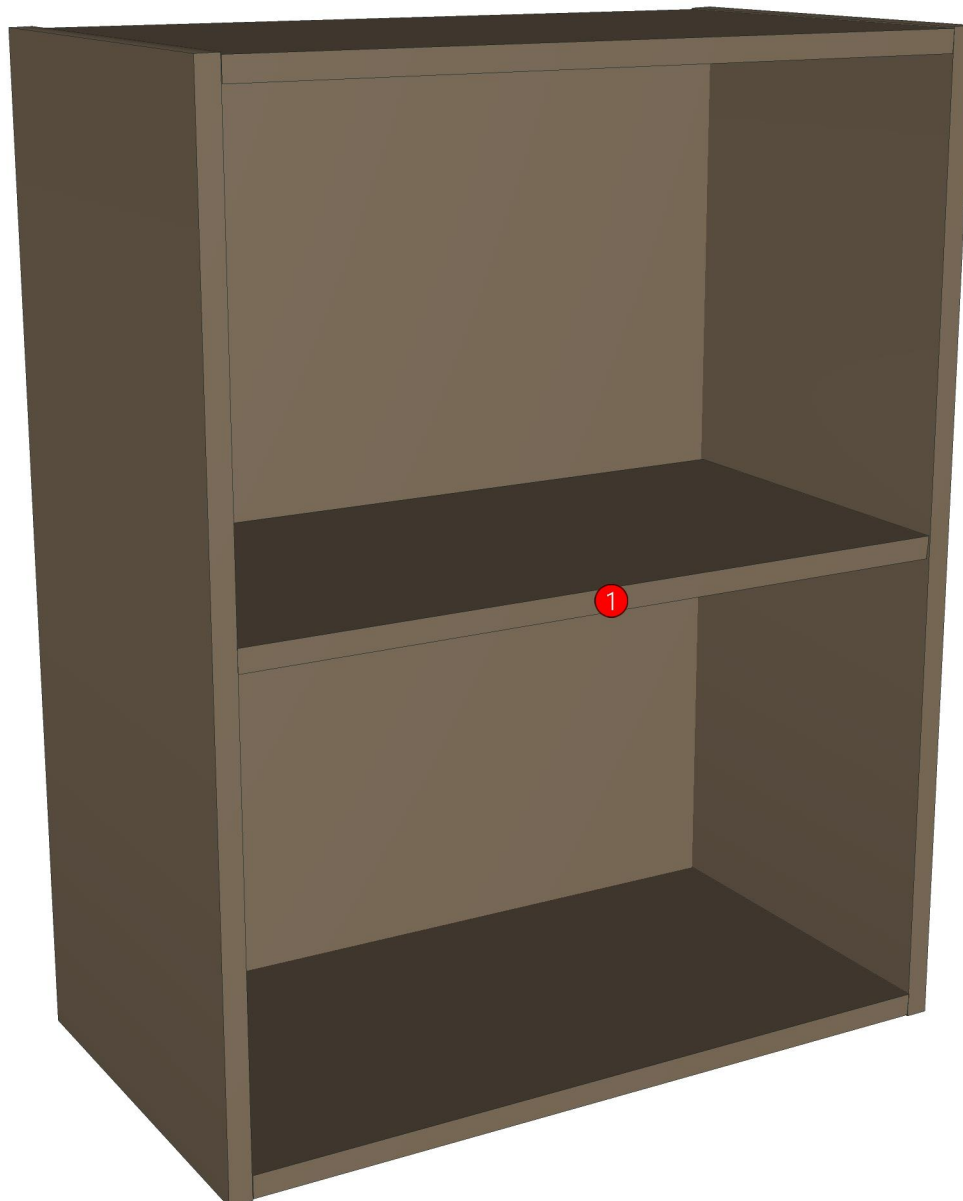
K101R-160174785

**Edge**

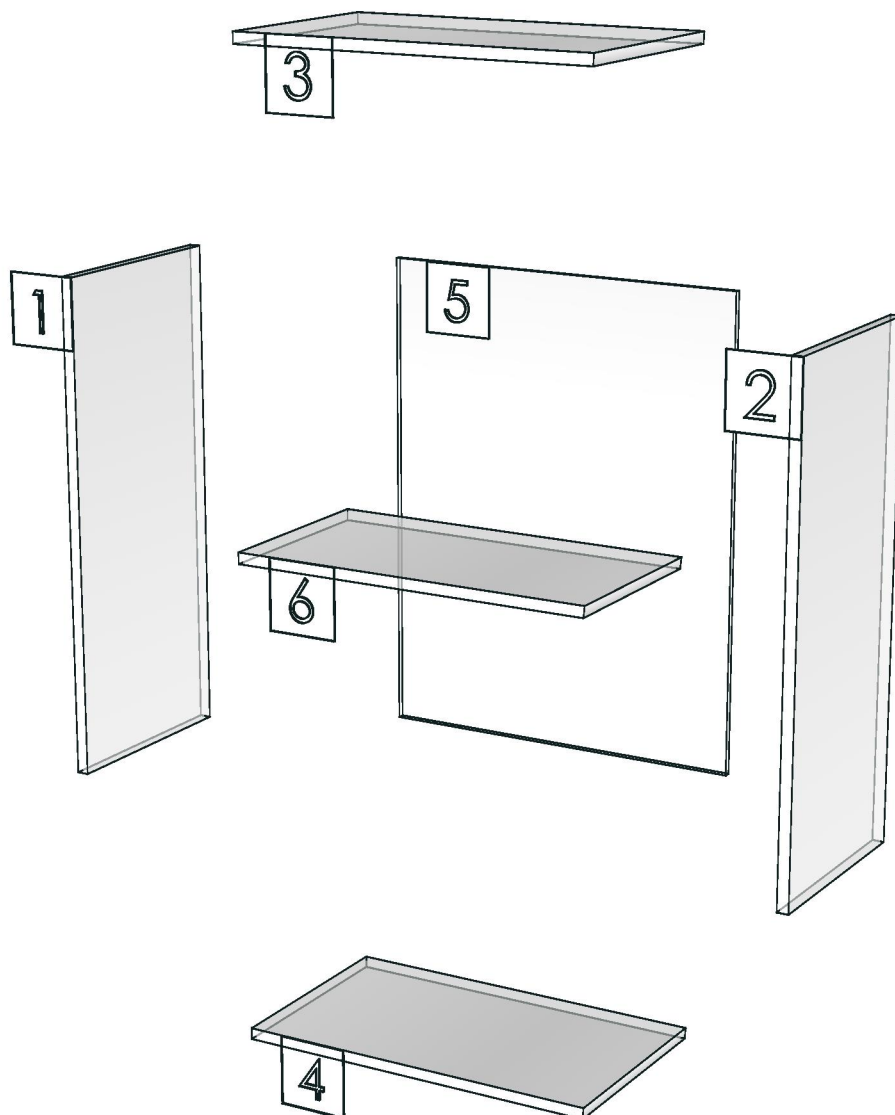
01.155 1 SANDSTONE (P7-500M1) \_

-  
-  
-  
-

<b>R&amp;D REVIEW</b>	
<input checked="" type="checkbox"/>	DWG.Customer
<input checked="" type="checkbox"/>	Work Report
<input type="checkbox"/>	Function
<input type="checkbox"/>	สินค้าตรงตัวอย่าง
ผู้ทบทวน _____	
_____	



<b>Model</b>	-FLEXI_RC_DLO55		
<b>Creator</b>		<b>.BCP Name</b>	INDEX_C3D_KITCHEN2
<b>Reviewer</b>		<b>Order</b>	I004681
<b>Approves</b>		<b>Date</b>	



<b>Model</b>	FLEXI_RC_D_PLT1250		
<b>Creator</b>	PASATHORN	<b>.BCP Name</b>	INDEX_C3D_KITCHEN2
<b>Reviewer</b>		<b>Order</b>	I004676
<b>Approves</b>		<b>Date</b>	08/01/2026

## **FLEXI\_RC\_D\_PLT1250-1250X9X100**

**Colour**

02.78 FOIL 45GMS.MD627(VALENTINO)AQ-346-15KBWG(AQ PAPER)\_

-  
-  
-  
-

**Edge**

01.261 1 MD627 \_

-  
-  
-  
-

K101L-160174777

K101R-160174785

<b>R&amp;D REVIEW</b>	
<input checked="" type="checkbox"/>	DWG.Customer
<input checked="" type="checkbox"/>	Work Report
<input type="checkbox"/>	Function
<input type="checkbox"/>	สินค้าตรงตัวอย่าง
ผู้ทบทวน _____	



<b>Model</b>	FLEXI_RC_D_PLT1250		
<b>Creator</b>	PASATHORN	<b>.BCP Name</b>	INDEX_C3D_KITCHEN2
<b>Reviewer</b>		<b>Order</b>	I004676
<b>Approves</b>		<b>Date</b>	08/01/2026

No.	Article No.	Description	Mat	Dimension	Cutting Size	Typepology	Skin
0	FLEXI_RC_D_PLT1250	FLEXI_RC_D_PLT1250		1250x100x9			
	FLEXI_RC_D_PLT1250-01	DPLINT	PB-SP	9x100x1250	9X98X1249;L2:W1	183000 _STR=02.78 _EDG=MD627-1	2

<b>Model</b>	FLEXI_RC_D_PLT600		
<b>Creator</b>	PASATHORN	<b>.BCP Name</b>	INDEX_C3D_KITCHEN2
<b>Reviewer</b>		<b>Order</b>	I004674
<b>Approves</b>		<b>Date</b>	08/01/2026

## **FLEXI\_RC\_D\_PLT600-600X9X100**

**Colour**

02.78 FOIL 45GMS.MD627(VALENTINO)AQ-346-15KBWG(AQ PAPER)\_

-

-

-

K100L-160124666

K100R-160174489

K101L-160174777

K101R-160174785

**Edge**

01.261 1 MD627 \_

-

-

-

-

<b>R&amp;D REVIEW</b>	
<input checked="" type="checkbox"/>	DWG.Customer
<input checked="" type="checkbox"/>	Work Report
<input type="checkbox"/>	Function
<input type="checkbox"/>	สินค้าตรงตัวอย่าง
ผู้ทบทวน _____	



<b>Model</b>	FLEXI_RC_D_PLT600		
<b>Creator</b>	PASATHORN	<b>.BCP Name</b>	INDEX_C3D_KITCHEN2
<b>Reviewer</b>		<b>Order</b>	I004674
<b>Approves</b>		<b>Date</b>	08/01/2026

No.	Article No.	Description	Mat	Dimension	Cutting Size	Typepology	Skin
0	FLEXI_RC_D_PLT600	FLEXI_RC_D_PLT600		600x100x9			
	FLEXI_RC_D_PLT600-01	DPLINT	PB-SP	9x100x600	9X98X599;L2:W1	183000 _STR=02.78 _EDG=MD627-1	2