

Model	FLEXI_RC_DBH602GR		
Creator	PASATHORN	.BCP Name	INDEX_C3D_KITCHEN2
Reviewer		Order	I004691
Approves		Date	08/01/2026

FLEXI_RC_DBH602GR-600X570X838

Colour

02.78 FOIL 45GMS.MD627(VALENTINO)AQ-346-15KBWG(AQ PAPER)_

02.62 FOIL 75GMS.MD216(SANSTONE)AQ-264KB(AQ PAPER)_

-

-

K100L-160124666

K101L-160174777

Edge

01.261 1 MD627 _

01.155 1 SANDSTONE (P7-500M1) _

-

-

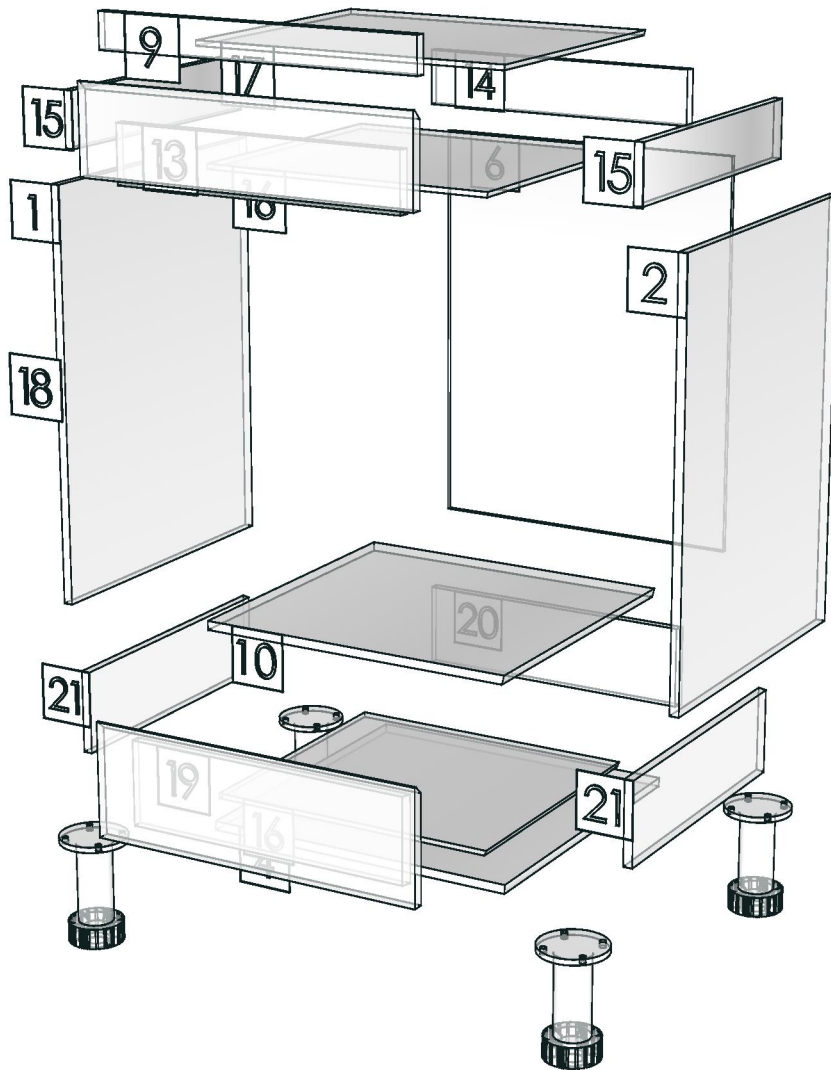
-

R&D REVIEW	
<input checked="" type="checkbox"/>	DWG.Customer
<input checked="" type="checkbox"/>	Work Report
<input type="checkbox"/>	Function
<input type="checkbox"/>	สินค้าตรงตัวอย่าง
ผู้ทบทวน _____	



Model	-FLEXI_RC_DBH602GR		
Creator		.BCP Name	INDEX_C3D_KITCHEN2
Reviewer		Order	I004691
Approves		Date	

12



Model	FLEXI_RC_DBS55L		
Creator	PASATHORN	.BCP Name	INDEX_C3D_KITCHEN2
Reviewer		Order	I004686
Approves		Date	08/01/2026

FLEXI_RC_DBS55L-550X570X838

Colour

02.78 FOIL 45GMS.MD627(VALENTINO)AQ-346-15KBWG(AQ PAPER)_

-
-
-
-

K101L-160174777

Edge

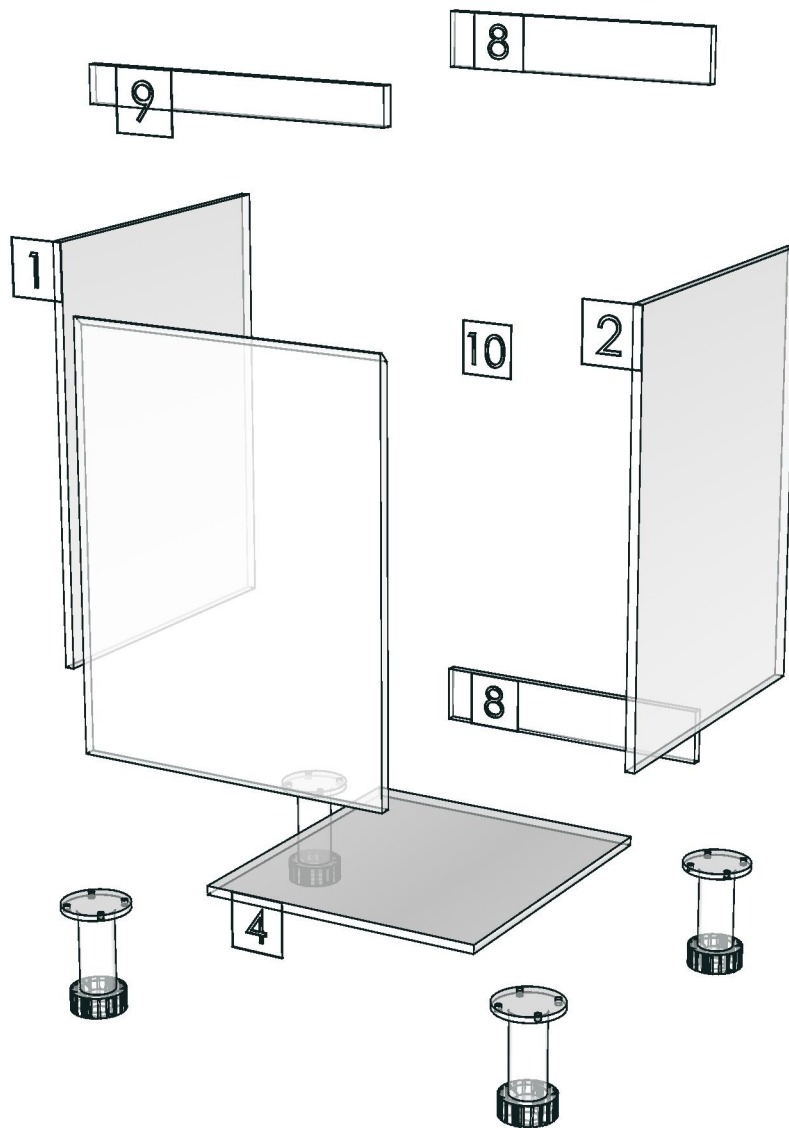
01.261 1 MD627 _

-
-
-
-

R&D REVIEW	
<input checked="" type="checkbox"/>	DWG.Customer
<input checked="" type="checkbox"/>	Work Report
<input type="checkbox"/>	Function
<input type="checkbox"/>	สินค้าตรงตัวอย่าง
ผู้ทบทวน _____	



Model	-FLEXI_RC_DBS55L		
Creator		.BCP Name	INDEX_C3D_KITCHEN2
Reviewer		Order	I004686
Approves		Date	



Model	FLEXI_RC_DDM650		
Creator	PASATHORN	.BCP Name	INDEX_C3D_KITCHEN2
Reviewer		Order	I004680
Approves		Date	08/01/2026

FLEXI_RC_DDM650-650X16X100

Colour

02.62 FOIL 75GMS.MD216(SANSTONE)AQ-264KB(AQ PAPER)_

-
-
-
-

Edge

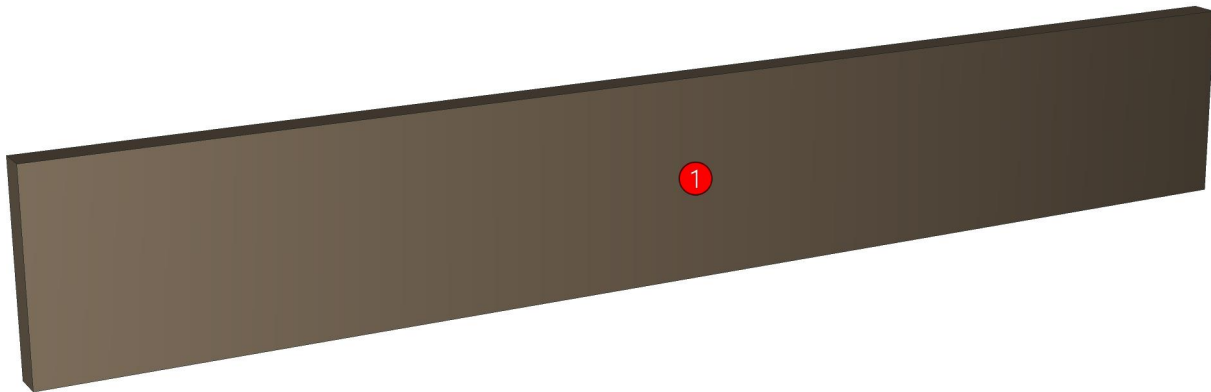
01.155 1 SANDSTONE (P7-500M1) _

-
-
-
-

K101L-160174777

K101R-160174785

R&D REVIEW	
<input checked="" type="checkbox"/>	DWG.Customer
<input checked="" type="checkbox"/>	Work Report
<input type="checkbox"/>	Function
<input type="checkbox"/>	สินค้าตรงตัวอย่าง
ผู้ทบทวน _____	



Model	FLEXI_RC_DDM650		
Creator	PASATHORN	.BCP Name	INDEX_C3D_KITCHEN2
Reviewer		Order	I004680
Approves		Date	08/01/2026

No.	Article No.	Description	Mat	Dimension	Cutting Size	Typepology	Skin
0	FLEXI_RC_DDM650	FLEXI_RC_DDM650		650x100x16			
	FLEXI_RC_DDM650-01	DDM-SP	PB-SP	16x100x650	16X98X649;L2:W1	183000_STR=02.62_EDG=SANDSTONE073-1	2

Model	FLEXI_RC_DFB		
Creator	PASATHORN	.BCP Name	INDEX_C3D_KITCHEN2
Reviewer		Order	I004666
Approves	P.SAWAI	Date	22/12/2025

FLEXI_RC_DFB-150X16X738

Colour

02.78 FOIL 45GMS.MD627(VALENTINO)AQ-346-15KBWG(AQ PAPER)_

-
-
-
-

Edge

01.261 1 MD627 _

-
-
-
-

R&D REVIEW

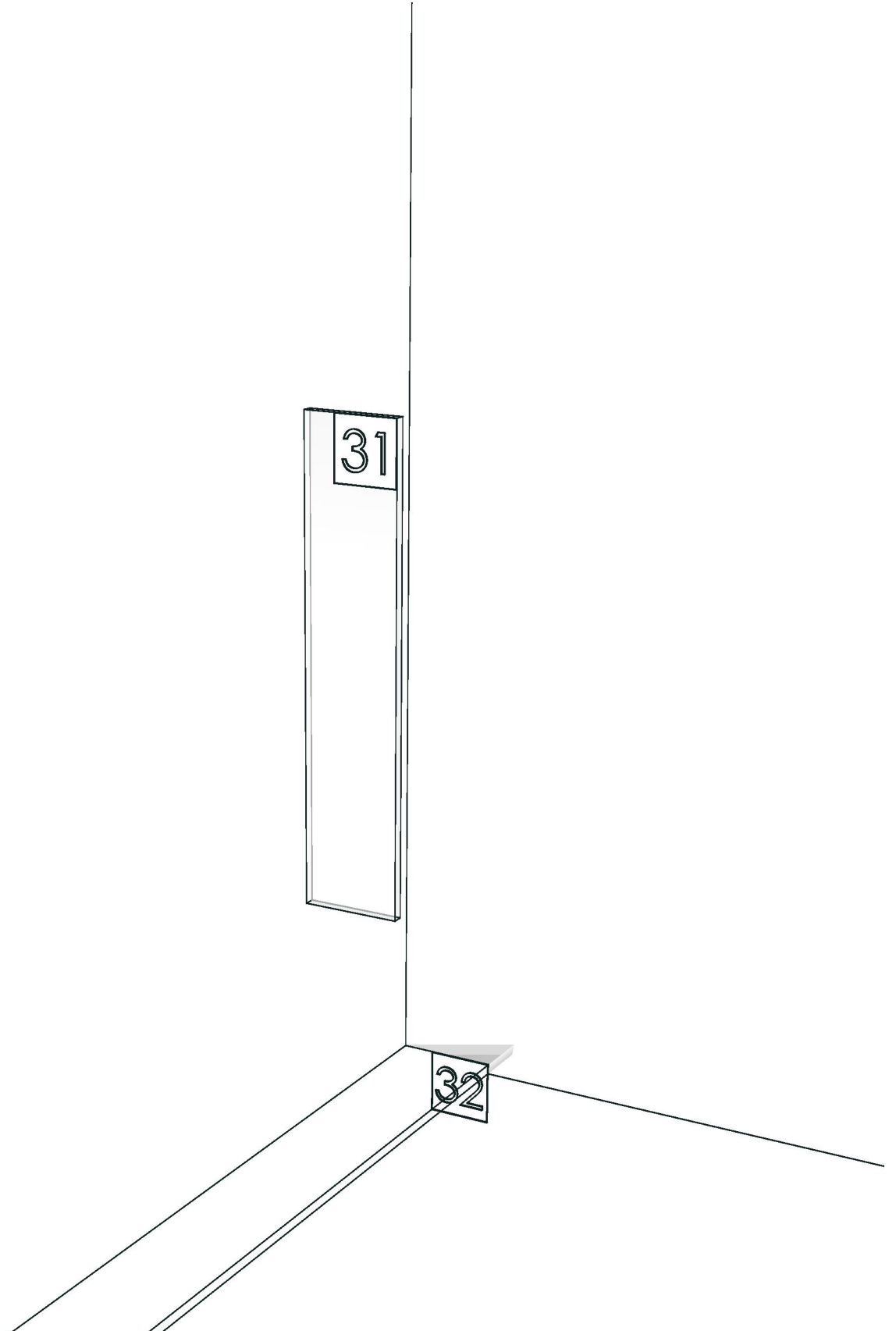
- DWG.Customer
- Work Report
- Function
- สินค้าตรงตัวอย่าง

ผู้ทบทวน P.SAWAI
22/12/25

- K101L-160174777
- K101R-160174785
- K102L-160174496
- K102R-160124673
- K103L-160174504
- K103R-160174512



Model	-FLEXI_RC_DFB		
Creator		.BCP Name	INDEX_C3D_KITCHEN2
Reviewer		Order	I004666
Approves	P.SAWAI	Date	



Model	FLEXI_RC_DFL2		
Creator	PASATHORN	.BCP Name	INDEX_C3D_KITCHEN2
Reviewer		Order	I004660
Approves	P.SAWAI	Date	16/12/2025

FLEXI_RC_DFL2-150X16X700

Colour

02.62 FOIL 75GMS.MD216(SANSTONE)AQ-264KB(AQ PAPER)_

-
-
-
-

Edge

01.155 1 SANDSTONE (P7-500M1) _

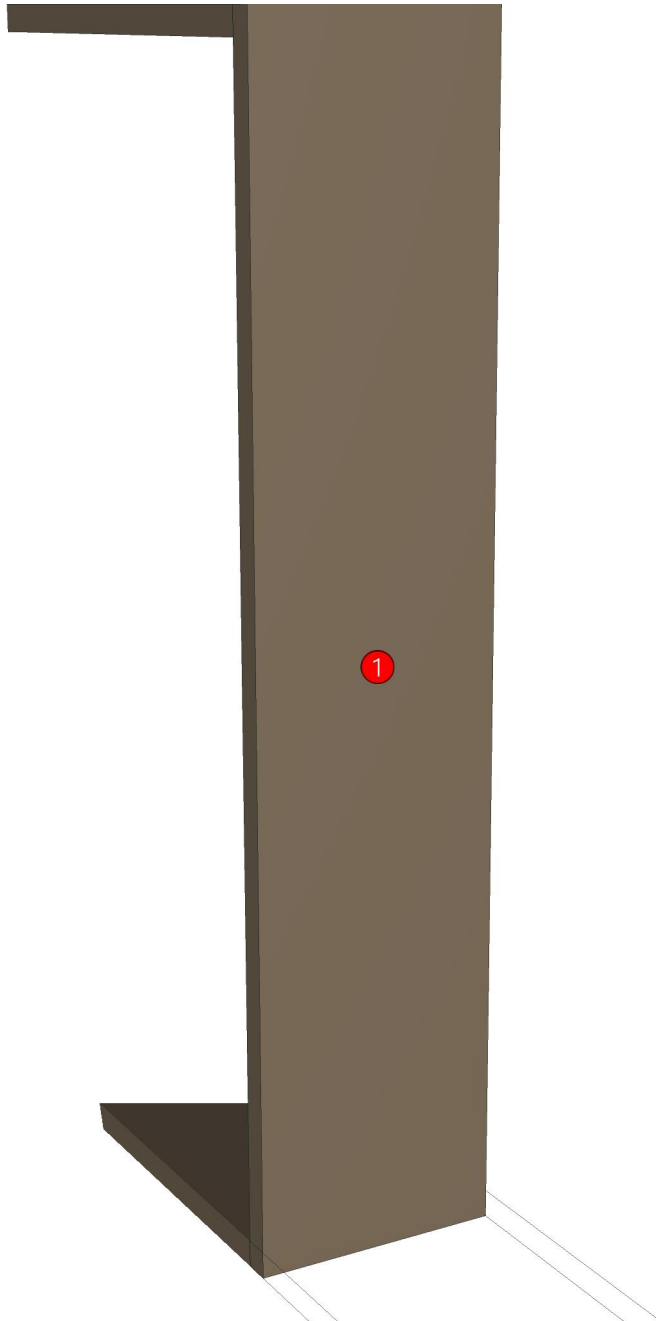
-
-
-
-

R&D REVIEW

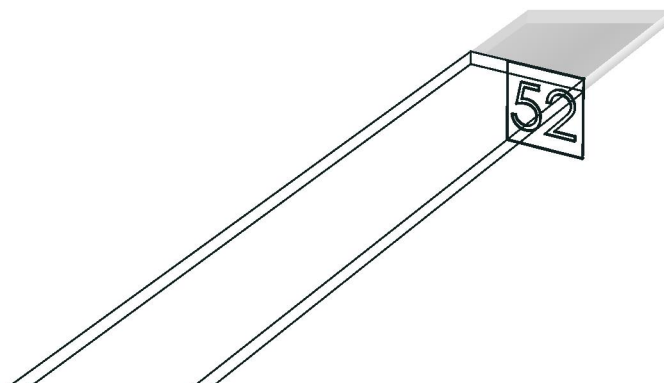
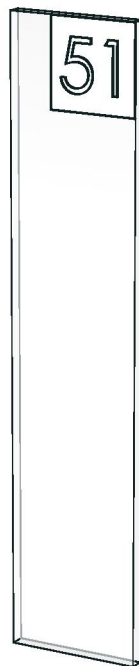
- DWG.Customer
- Work Report
- Function
- สินค้าตรงตัวอย่าง

ผู้ทบทวน P.SAWAI
25/12/25

- K101L-160174777
- K101R-160174785
- K102L-160174496
- K102R-160124673
- K103L-160174504
- K103R-160174512



Model	-FLEXI_RC_DFL2		
Creator		.BCP Name	INDEX_C3D_KITCHEN2
Reviewer		Order	I004660
Approves	P.SAWAI	Date	



Model	FLEXI_RC_DF_CL1250G		
Creator	PASATHORN	.BCP Name	INDEX_C3D_KITCHEN2
Reviewer		Order	I004678
Approves		Date	08/01/2026

FLEXI_RC_DF_CL1250G-1250X16X150

Colour

02.62 FOIL 75GMS.MD216(SANSTONE)AQ-264KB(AQ PAPER)_

-
-
-
-

K101L-160174777

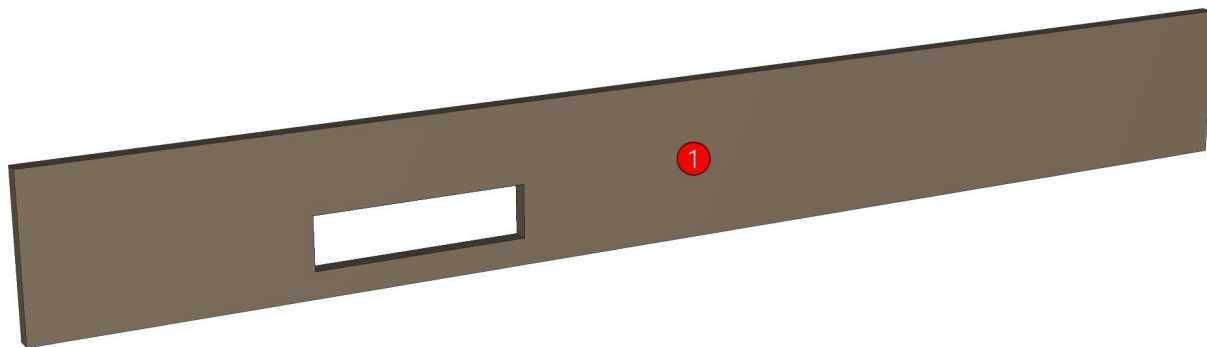
K101R-160174785

Edge

01.155 1 SANDSTONE (P7-500M1) _

-
-
-
-

R&D REVIEW	
<input checked="" type="checkbox"/>	DWG.Customer
<input checked="" type="checkbox"/>	Work Report
<input type="checkbox"/>	Function
<input type="checkbox"/>	สินค้าตรงตัวอย่าง
ผู้ทบทวน _____	



Model	FLEXI_RC_DF_CL1250G		
Creator	PASATHORN	.BCP Name	INDEX_C3D_KITCHEN2
Reviewer		Order	I004678
Approves		Date	08/01/2026

No.	Article No.	Description	Mat	Dimension	Cutting Size	Typepology	Skin
0	FLEXI_RC_DF_CL1250G	FLEXI_RC_DF_CL1250G		1250x150x16			
	FLEXI_RC_DF_CL1250G-01	DFCL-SP	PB-SP	16x150x1250	16X149X1249;L1:W1	183000_STR=02.62_EDG=SANDSTONE073-1	2

Model	FLEXI_RC_DF_CL300		
Creator	PASATHORN	.BCP Name	INDEX_C3D_KITCHEN2
Reviewer		Order	I004679
Approves		Date	08/01/2026

FLEXI_RC_DF_CL300-300X16X150

Colour

02.62 FOIL 75GMS.MD216(SANSTONE)AQ-264KB(AQ PAPER)_

-

-

-

K100L-160124666

K100R-160174489

K101L-160174777

K101R-160174785

Edge

01.155 1 SANDSTONE (P7-500M1) _

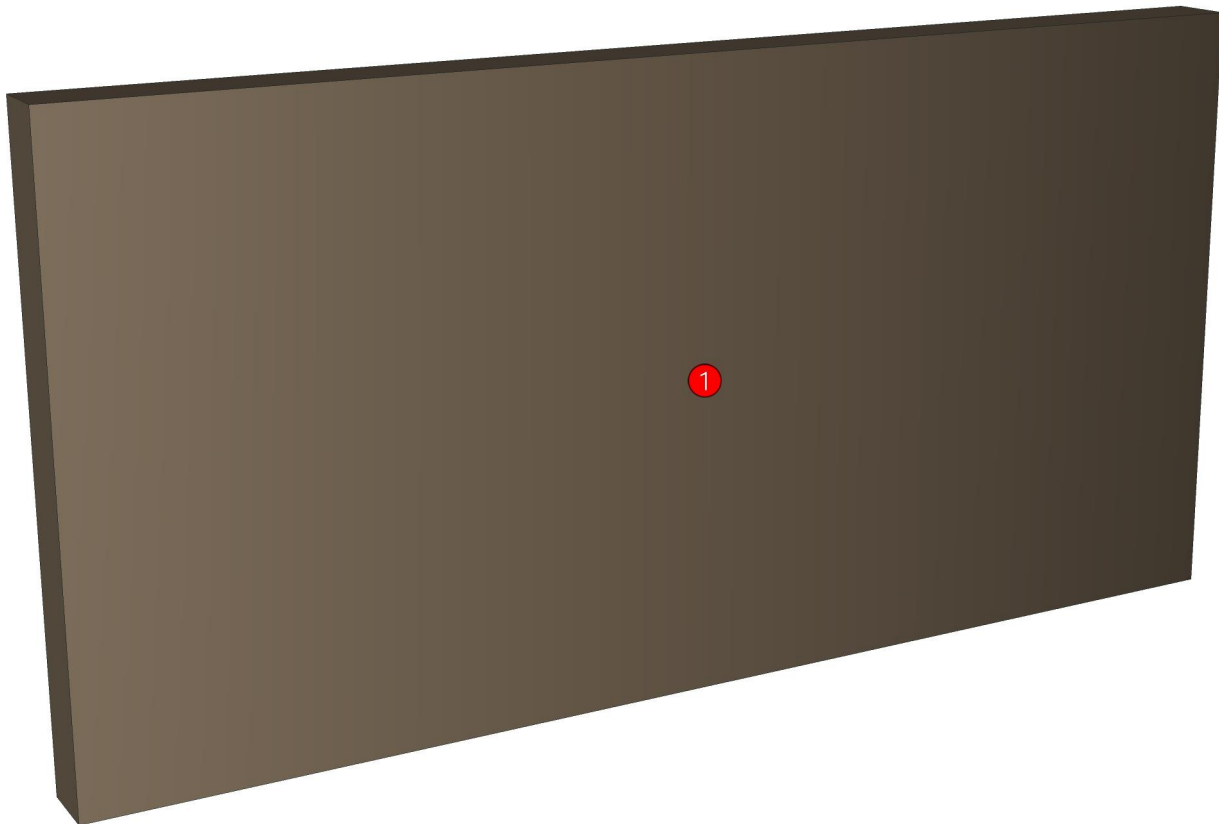
-

-

-

-

R&D REVIEW	
<input checked="" type="checkbox"/>	DWG.Customer
<input checked="" type="checkbox"/>	Work Report
<input type="checkbox"/>	Function
<input type="checkbox"/>	สินค้าตรงตัวอย่าง
ผู้ทบทวน _____	



Model	FLEXI_RC_DF_CL300		
Creator	PASATHORN	.BCP Name	INDEX_C3D_KITCHEN2
Reviewer		Order	I004679
Approves		Date	08/01/2026

No.	Article No.	Description	Mat	Dimension	Cutting Size	Typepology	Skin
0	FLEXI_RC_DF_CL300	FLEXI_RC_DF_CL300		300x150x16			
	FLEXI_RC_DF_CL300-01	DFCL-SP	PB-SP	16x150x300	16X149X299;L1:W1	183000_STR=02.62_EDG=SANDSTONE073-1	2

Model	FLEXI_RC_DL60HR		
Creator	PASATHORN	.BCP Name	INDEX_C3D_KITCHEN2
Reviewer		Order	I004684
Approves		Date	08/01/2026

FLEXI_RC_DL60HR-600X300X760

Colour

02.62 FOIL 75GMS.MD216(SANSTONE)AQ-264KB(AQ PAPER)_

-

-

-

K100L-160124666

K101L-160174777

K102L-160174496

K103L-160174504

Edge

01.155 1 SANDSTONE (P7-500M1) _

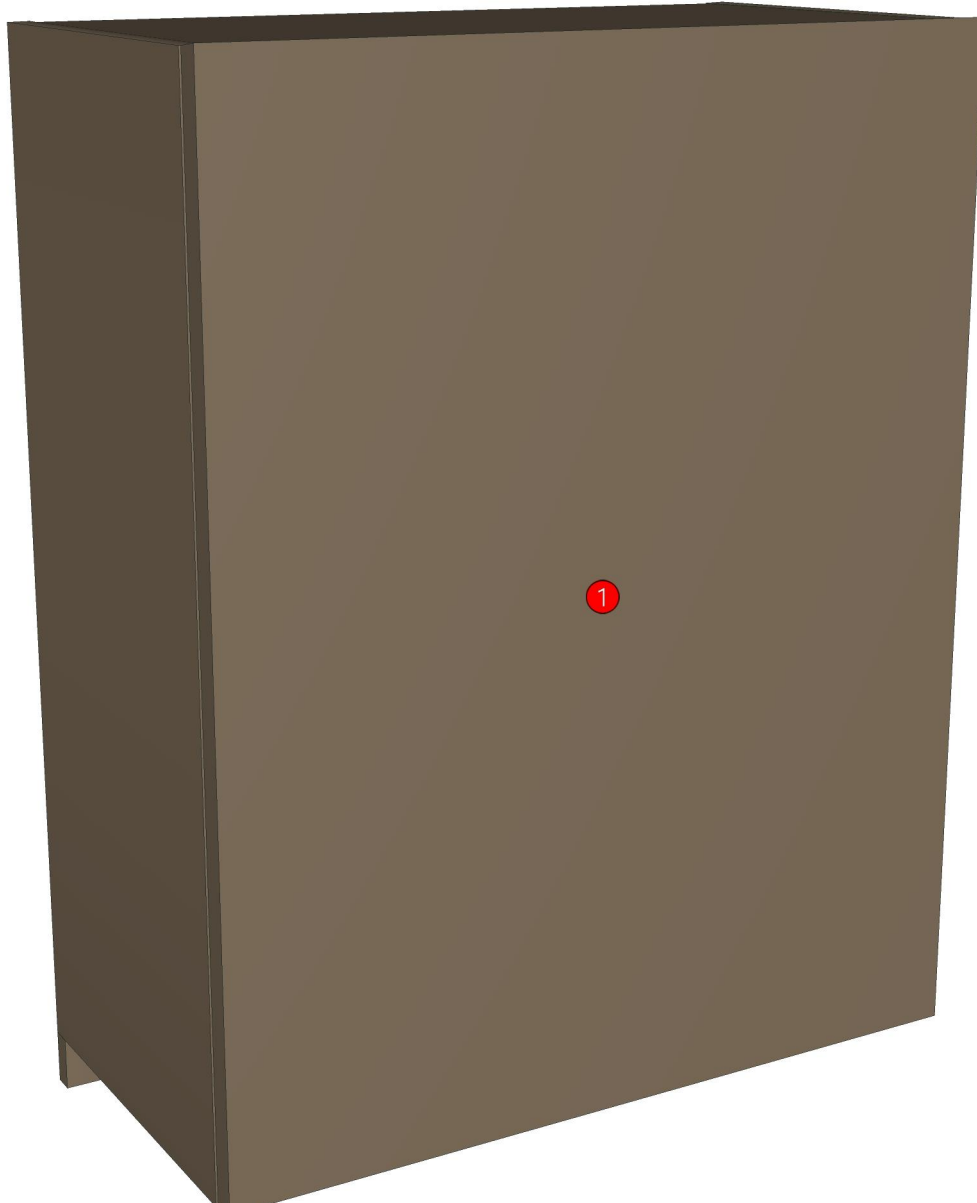
-

-

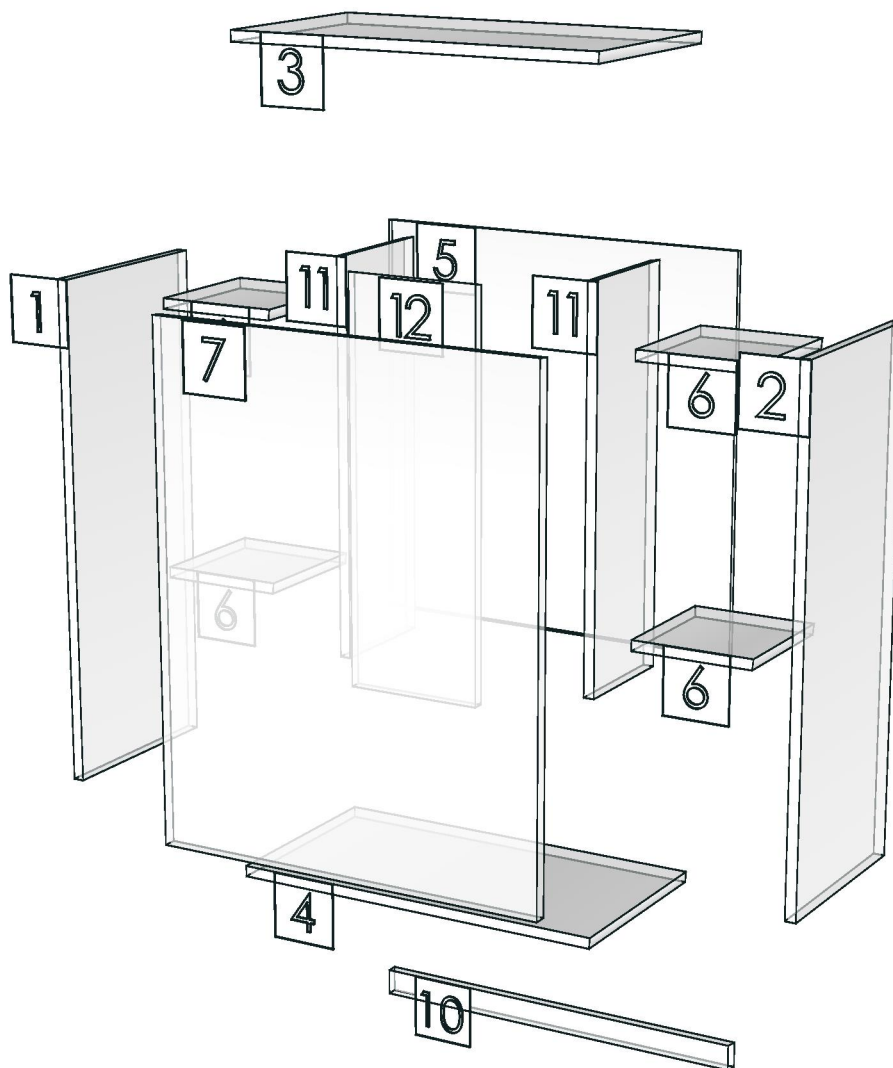
-

-

R&D REVIEW	
<input checked="" type="checkbox"/>	DWG.Customer
<input checked="" type="checkbox"/>	Work Report
<input type="checkbox"/>	Function
<input type="checkbox"/>	สินค้าตรงตัวอย่าง
ผู้ทบทวน _____	



Model	-FLEXI_RC_DL60HR		
Creator		.BCP Name	INDEX_C3D_KITCHEN2
Reviewer		Order	I004684
Approves		Date	



Model	FLEXI_RC_DLO55		
Creator	PASATHORN	.BCP Name	INDEX_C3D_KITCHEN2
Reviewer		Order	I004681
Approves		Date	08/01/2026

FLEXI_RC_DLO55-550X300X700

Colour

02.62 FOIL 75GMS.MD216(SANSTONE)AQ-264KB(AQ PAPER)_

-
-
-
-

K101L-160174777

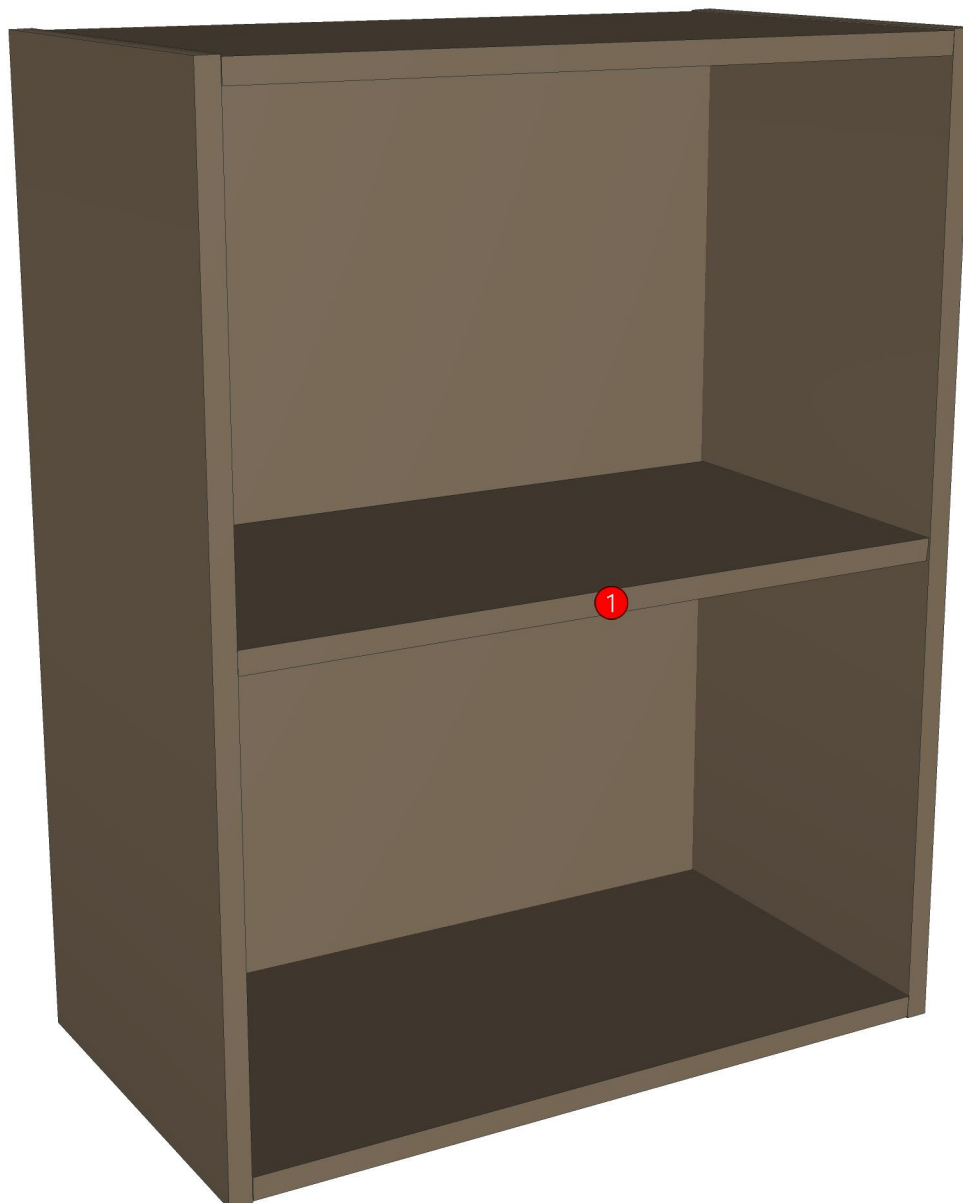
K101R-160174785

Edge

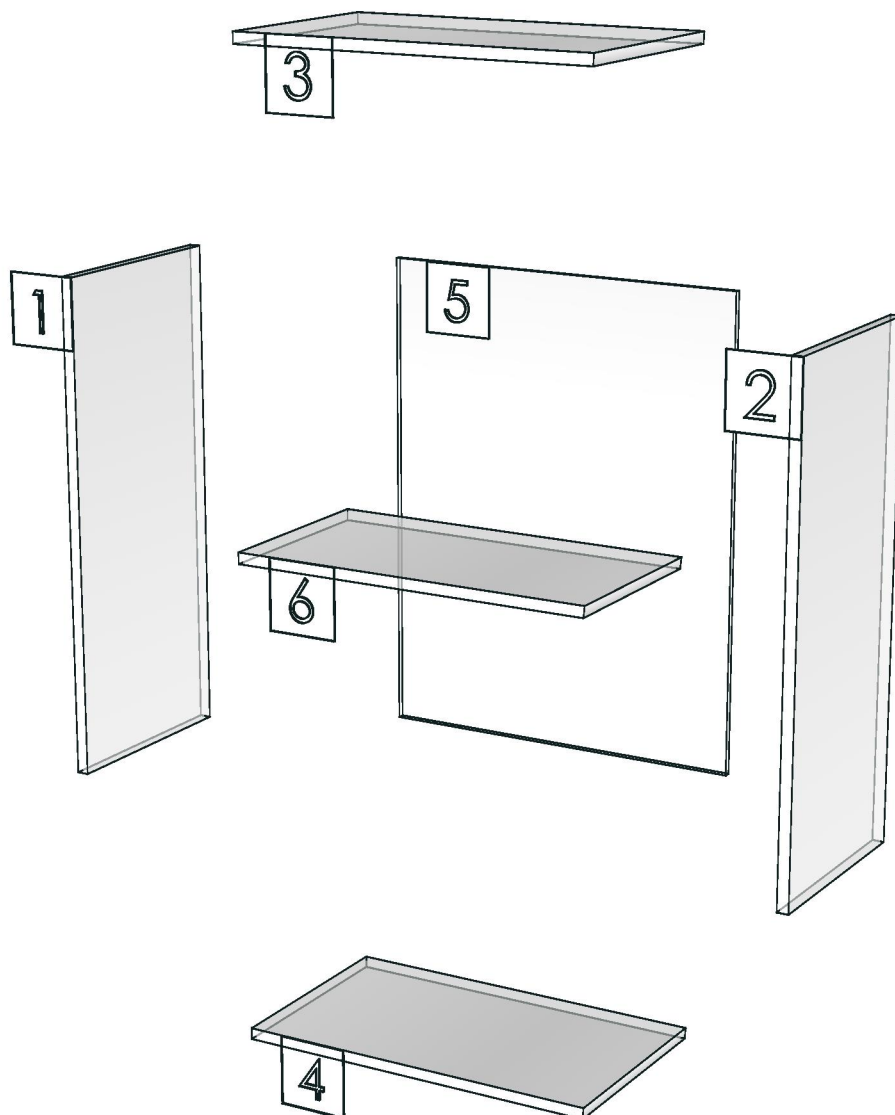
01.155 1 SANDSTONE (P7-500M1) _

-
-
-
-

R&D REVIEW	
<input checked="" type="checkbox"/>	DWG.Customer
<input checked="" type="checkbox"/>	Work Report
<input type="checkbox"/>	Function
<input type="checkbox"/>	สินค้าตรงตัวอย่าง
ผู้ทบทวน _____	



Model	-FLEXI_RC_DLO55		
Creator		.BCP Name	INDEX_C3D_KITCHEN2
Reviewer		Order	I004681
Approves		Date	



Model	FLEXI_RC_D_PLT1250		
Creator	PASATHORN	.BCP Name	INDEX_C3D_KITCHEN2
Reviewer		Order	I004676
Approves		Date	08/01/2026

FLEXI_RC_D_PLT1250-1250X9X100

Colour

02.78 FOIL 45GMS.MD627(VALENTINO)AQ-346-15KBWG(AQ PAPER)_

-
-
-
-

Edge

01.261 1 MD627 _

-
-
-
-

K101L-160174777

K101R-160174785

R&D REVIEW	
<input checked="" type="checkbox"/>	DWG.Customer
<input checked="" type="checkbox"/>	Work Report
<input type="checkbox"/>	Function
<input type="checkbox"/>	สินค้าตรงตัวอย่าง
ผู้ทบทวน _____	



Model	FLEXI_RC_D_PLT1250		
Creator	PASATHORN	.BCP Name	INDEX_C3D_KITCHEN2
Reviewer		Order	I004676
Approves		Date	08/01/2026

No.	Article No.	Description	Mat	Dimension	Cutting Size	Typepology	Skin
0	FLEXI_RC_D_PLT1250	FLEXI_RC_D_PLT1250		1250x100x9			
	FLEXI_RC_D_PLT1250-01	DPLINT	PB-SP	9x100x1250	9X98X1249;L2:W1	183000 _STR=02.78 _EDG=MD627-1	2

Model	FLEXI_RC_D_PLT600		
Creator	PASATHORN	.BCP Name	INDEX_C3D_KITCHEN2
Reviewer		Order	I004674
Approves		Date	08/01/2026

FLEXI_RC_D_PLT600-600X9X100

Colour

02.78 FOIL 45GMS.MD627(VALENTINO)AQ-346-15KBWG(AQ PAPER)_

-

-

-

K100L-160124666

K100R-160174489

K101L-160174777

K101R-160174785

Edge

01.261 1 MD627 _

-

-

-

-

R&D REVIEW	
<input checked="" type="checkbox"/>	DWG.Customer
<input checked="" type="checkbox"/>	Work Report
<input type="checkbox"/>	Function
<input type="checkbox"/>	สินค้าตรงตัวอย่าง
ผู้ทบทวน _____	



Model	FLEXI_RC_D_PLT600		
Creator	PASATHORN	.BCP Name	INDEX_C3D_KITCHEN2
Reviewer		Order	I004674
Approves		Date	08/01/2026

No.	Article No.	Description	Mat	Dimension	Cutting Size	Typepology	Skin
0	FLEXI_RC_D_PLT600	FLEXI_RC_D_PLT600		600x100x9			
	FLEXI_RC_D_PLT600-01	DPLINT	PB-SP	9x100x600	9X98X599;L2:W1	183000 _STR=02.78 _EDG=MD627-1	2