

<b>Model</b>	FLEXI_RC_DBH602		
<b>Creator</b>	PASATHORN	<b>.BCP Name</b>	INDEX_C3D_KITCHEN2
<b>Reviewer</b>		<b>Order</b>	I004668
<b>Approves</b>		<b>Date</b>	23/12/2025

## **FLEXI\_RC\_DBH602-600X570X838**

### **Colour**

02.78 FOIL 45GMS.MD627(VALENTINO)AQ-346-15KBWG(AQ PAPER)\_

02.62 FOIL 75GMS.MD216(SANSTONE)AQ-264KB(AQ PAPER)\_

-

-

-

### **Edge**

01.261 1 MD627 \_

01.155 1 SANDSTONE (P7-500M1) \_

-

-

-

<b>R&amp;D REVIEW</b>	
<input checked="" type="checkbox"/>	DWG.Customer
<input checked="" type="checkbox"/>	Work Report
<input type="checkbox"/>	Function
<input type="checkbox"/>	สินค้าตรงตัวอย่าง
ผู้ทบทวน _____	
_____	

K102L-160174496

K102R-160124673

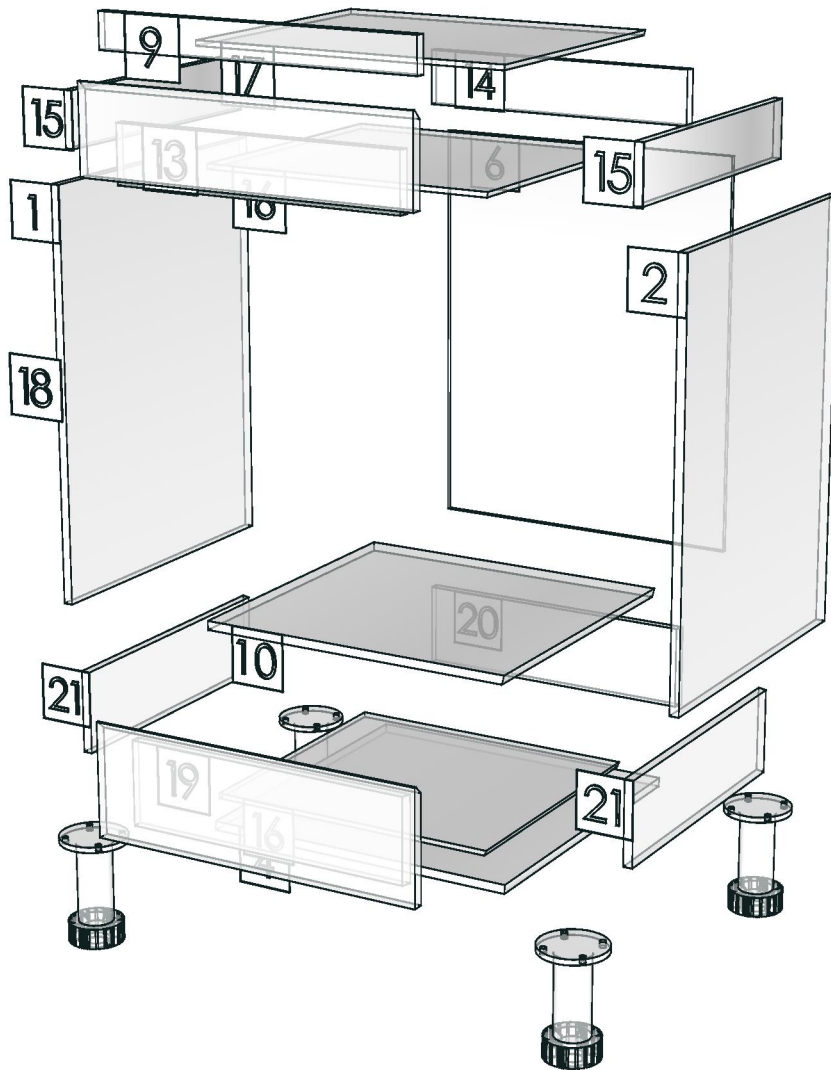
K103L-160174504

K103R-160174512



<b>Model</b>	-FLEXI_RC_DBH602		
<b>Creator</b>		<b>.BCP Name</b>	INDEX_C3D_KITCHEN2
<b>Reviewer</b>		<b>Order</b>	I004668
<b>Approves</b>		<b>Date</b>	

12



<b>Model</b>	FLEXI_RC_DBS80		
<b>Creator</b>	PASATHORN	<b>.BCP Name</b>	INDEX_C3D_KITCHEN2
<b>Reviewer</b>		<b>Order</b>	I004928
<b>Approves</b>		<b>Date</b>	12/03/2026

## **FLEXI\_RC\_DBS80-800X570X838**

**Colour**

02.78 FOIL 45GMS.MD627(VALENTINO)AQ-346-15KBWG(AQ PAPER)\_

-  
-  
-  
-

**Edge**

01.261 1 MD627 \_

-  
-  
-  
-

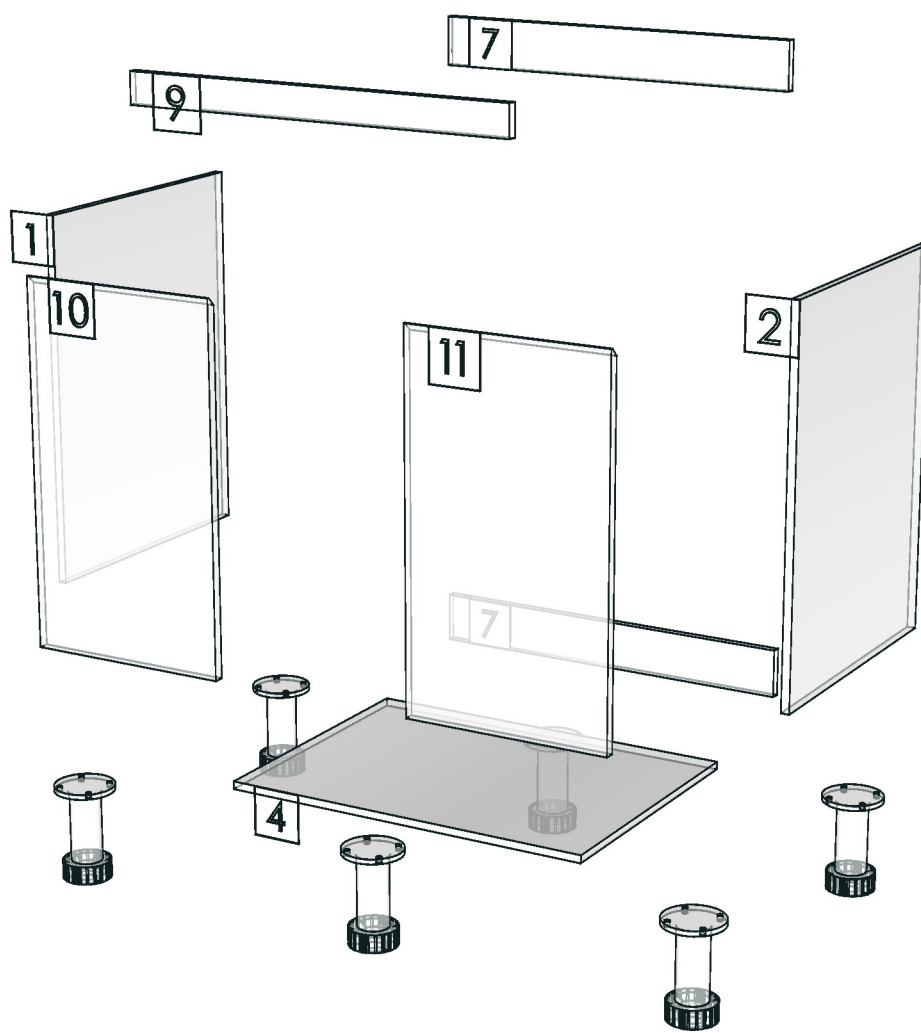
<b>R&amp;D REVIEW</b>	
<input checked="" type="checkbox"/>	DWG.Customer
<input checked="" type="checkbox"/>	Work Report
<input type="checkbox"/>	Function
<input type="checkbox"/>	สินค้าตรงตัวอย่าง
ผู้ทบทวน _____	
_____	

K103L-160174504

K103R-160174512



<b>Model</b>	-FLEXI_RC_DBS80		
<b>Creator</b>		<b>.BCP Name</b>	INDEX_C3D_KITCHEN2
<b>Reviewer</b>		<b>Order</b>	I004928
<b>Approves</b>		<b>Date</b>	



<b>Model</b>	FLEXI_RC_DDM900		
<b>Creator</b>	PASATHORN	<b>.BCP Name</b>	INDEX_C3D_KITCHEN2
<b>Reviewer</b>		<b>Order</b>	I004662
<b>Approves</b>	P.SAWAI	<b>Date</b>	18/12/2025

## **FLEXI\_RC\_DDM900-900X16X100**

**Colour**

02.62 FOIL 75GMS.MD216(SANSTONE)AQ-264KB(AQ PAPER)\_

-  
-  
-  
-

**Edge**

01.155 1 SANDSTONE (P7-500M1) \_

-  
-  
-  
-

**R&D REVIEW**

DWG.Customer

Work Report

Function

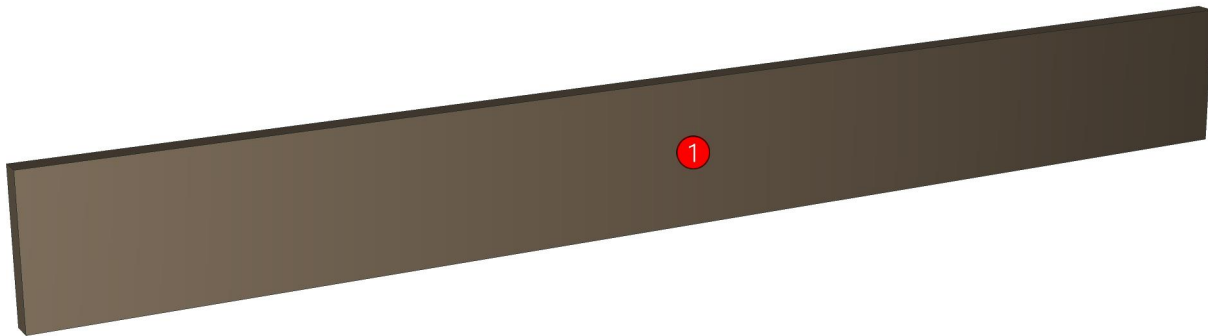
สินค้าตรงตัวอย่าง

ผู้ทบทวน P.SAWAI

25/12/25

K103L-160174504

K103R-160174512



<b>Model</b>	FLEXI_RC_DDM900		
<b>Creator</b>	PASATHORN	<b>.BCP Name</b>	INDEX_C3D_KITCHEN2
<b>Reviewer</b>		<b>Order</b>	I004662
<b>Approves</b>	P. SAWAI	<b>Date</b>	18/12/2025

No.	Article No.	Description	Mat	Dimension	Cutting Size	Typepology	Skin
0	FLEXI_RC_DDM900	FLEXI_RC_DDM900		900x100x16			
	FLEXI_RC_DDM900-01	DDM-SP	PB-SP	16x100x900	16X98X898;L2:W2	183000_STR=02.62_EDG=SANDSTONE073-1	2

<b>Model</b>	FLEXI_RC_DFB		
<b>Creator</b>	PASATHORN	<b>.BCP Name</b>	INDEX_C3D_KITCHEN2
<b>Reviewer</b>		<b>Order</b>	I004666
<b>Approves</b>	P.SAWAI	<b>Date</b>	22/12/2025

## **FLEXI\_RC\_DFB-150X16X738**

**Colour**

02.78 FOIL 45GMS.MD627(VALENTINO)AQ-346-15KBWG(AQ PAPER)\_

-  
-  
-  
-

**Edge**

01.261 1 MD627 \_

-  
-  
-  
-

- K101L-160174777
- K101R-160174785
- K102L-160174496
- K102R-160124673
- K103L-160174504
- K103R-160174512

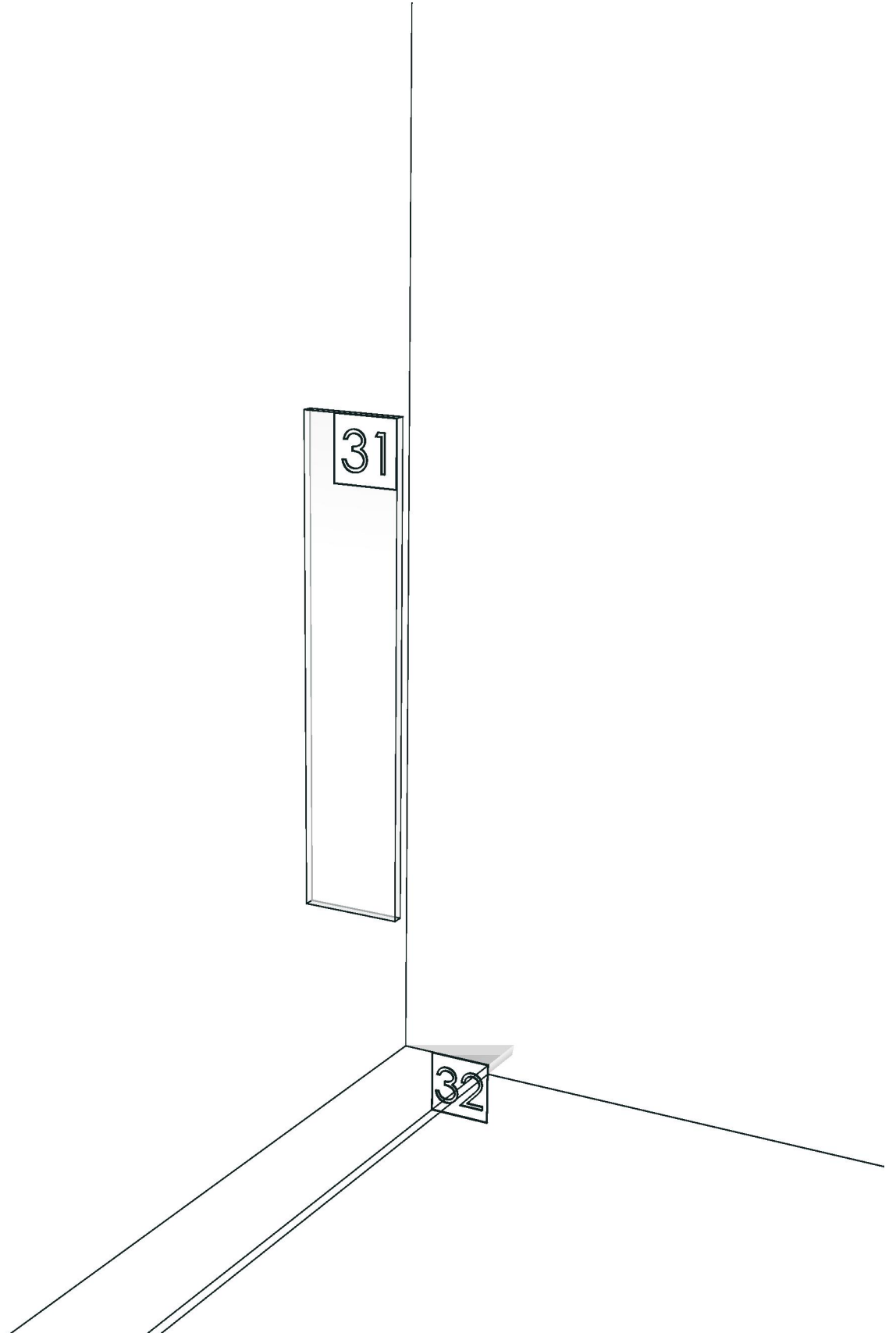
**R&D REVIEW**

- DWG.Customer
- Work Report
- Function
- สินค้าตรงตัวอย่าง

ผู้ทบทวน P.SAWAI  
22/12/25



<b>Model</b>	-FLEXI_RC_DFB		
<b>Creator</b>		<b>.BCP Name</b>	INDEX_C3D_KITCHEN2
<b>Reviewer</b>		<b>Order</b>	I004666
<b>Approves</b>	P. SAWAI	<b>Date</b>	



<b>Model</b>	FLEXI_RC_DFL1		
<b>Creator</b>	PASATHORN	<b>.BCP Name</b>	INDEX_C3D_KITCHEN2
<b>Reviewer</b>		<b>Order</b>	I004659
<b>Approves</b>	P.SAWAI	<b>Date</b>	16/12/2025

## FLEXI\_RC\_DFL1-150X16X800

**Colour**

02.62 FOIL 75GMS.MD216(SANSTONE)AQ-264KB(AQ PAPER)\_

-  
-  
-  
-

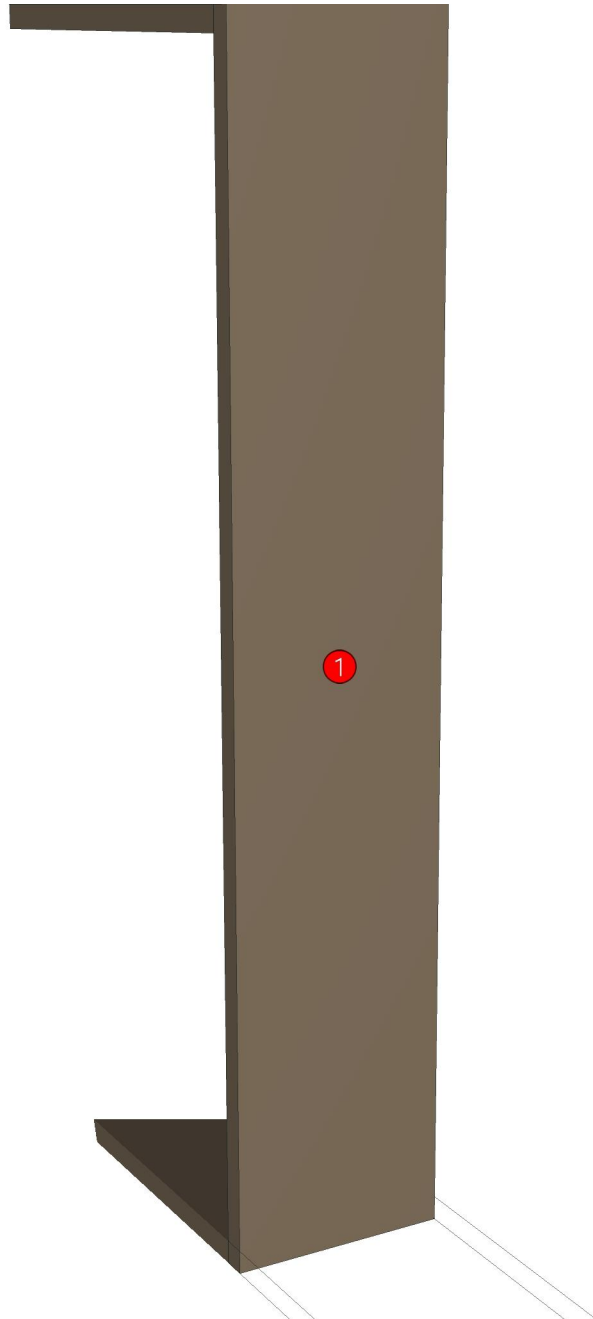
**Edge**

01.155 1 SANDSTONE (P7-500M1) \_

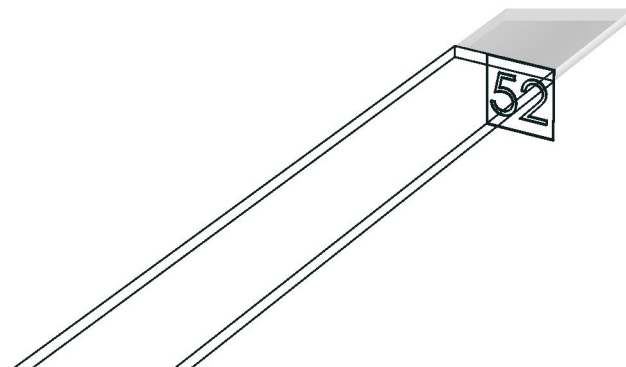
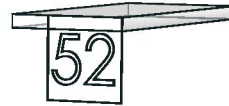
-  
-  
-  
-

<b>R&amp;D REVIEW</b>	
<input checked="" type="checkbox"/>	DWG.Customer
<input checked="" type="checkbox"/>	Work Report
<input type="checkbox"/>	Function
<input type="checkbox"/>	สินค้าตรงตัวอย่าง
ผู้ทบทวน <u>P.SAWAI</u>	
<u>16/12/2025</u>	

- K102L-160174496
- K102R-160124673
- K103L-160174504
- K103R-160174512



<b>Model</b>	-FLEXI_RC_DFL1		
<b>Creator</b>		<b>.BCP Name</b>	INDEX_C3D_KITCHEN2
<b>Reviewer</b>		<b>Order</b>	I004659
<b>Approves</b>	P. SAWAI	<b>Date</b>	



<b>Model</b>	FLEXI_RC_DFL2		
<b>Creator</b>	PASATHORN	<b>.BCP Name</b>	INDEX_C3D_KITCHEN2
<b>Reviewer</b>		<b>Order</b>	I004660
<b>Approves</b>	P.SAWAI	<b>Date</b>	16/12/2025

## **FLEXI\_RC\_DFL2-150X16X700**

**Colour**

02.62 FOIL 75GMS.MD216(SANSTONE)AQ-264KB(AQ PAPER)\_

-  
-  
-  
-

**Edge**

01.155 1 SANDSTONE (P7-500M1) \_

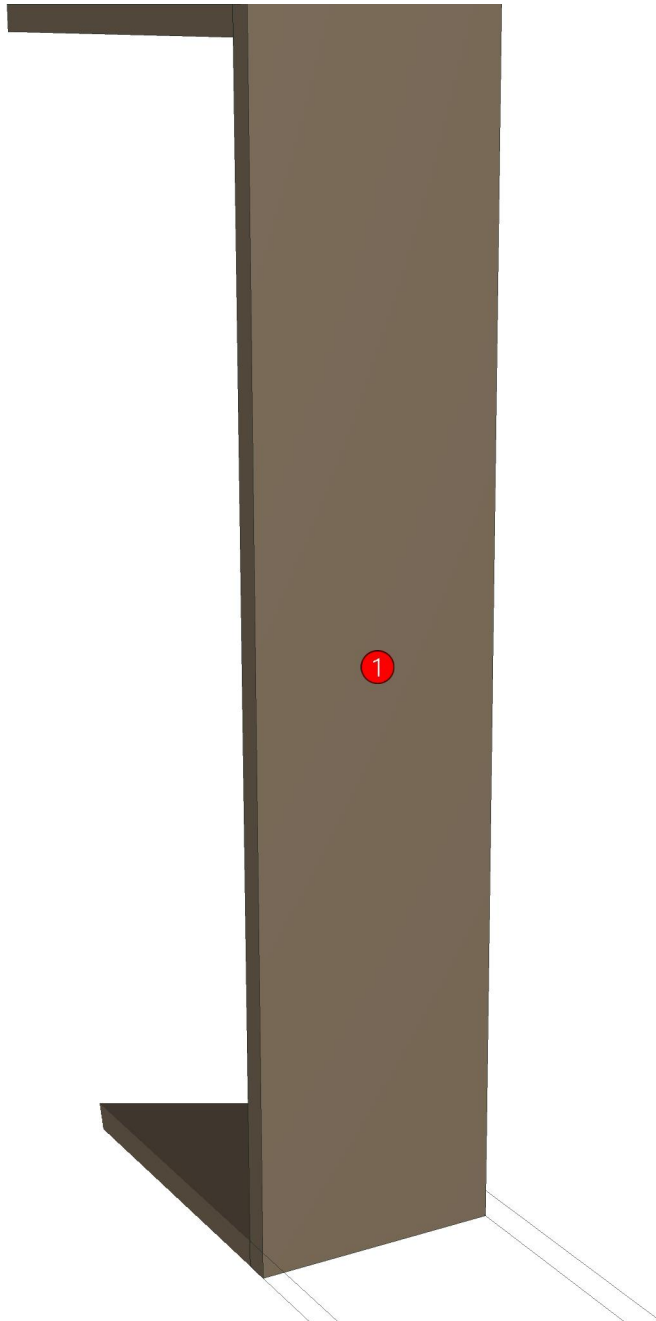
-  
-  
-  
-

**R&D REVIEW**

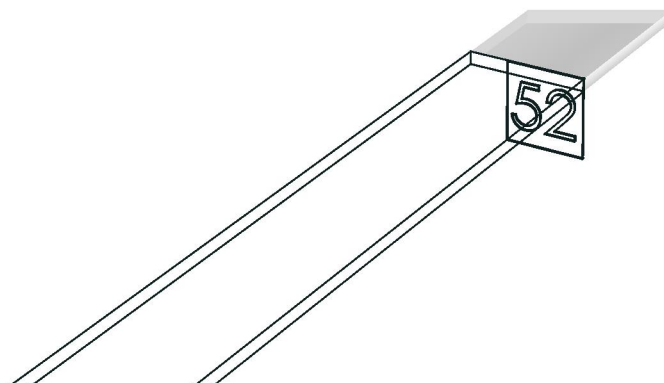
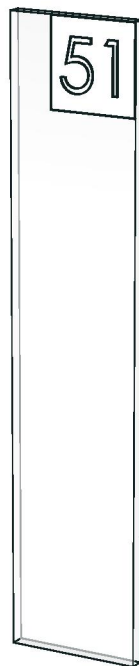
- DWG.Customer
- Work Report
- Function
- สินค้าตรงตัวอย่าง

ผู้ทบทวน P.SAWAI  
25/12/25

- K101L-160174777
- K101R-160174785
- K102L-160174496
- K102R-160124673
- K103L-160174504
- K103R-160174512



<b>Model</b>	-FLEXI_RC_DFL2		
<b>Creator</b>		<b>.BCP Name</b>	INDEX_C3D_KITCHEN2
<b>Reviewer</b>		<b>Order</b>	I004660
<b>Approves</b>	P.SAWAI	<b>Date</b>	



<b>Model</b>	FLEXI_RC_DF_CL1600G		
<b>Creator</b>	PASATHORN	<b>.BCP Name</b>	INDEX_C3D_KITCHEN2
<b>Reviewer</b>		<b>Order</b>	I004658
<b>Approves</b>	P.SAWAI	<b>Date</b>	16/12/2025

## **FLEXI\_RC\_DF\_CL1600G-1600X16X150**

**Colour**

02.62 FOIL 75GMS.MD216(SANSTONE)AQ-264KB(AQ PAPER)\_

-  
-  
-  
-

**Edge**

01.155 1 SANDSTONE (P7-500M1) \_

-  
-  
-  
-

**R&D REVIEW**

DWG.Customer

Work Report

Function

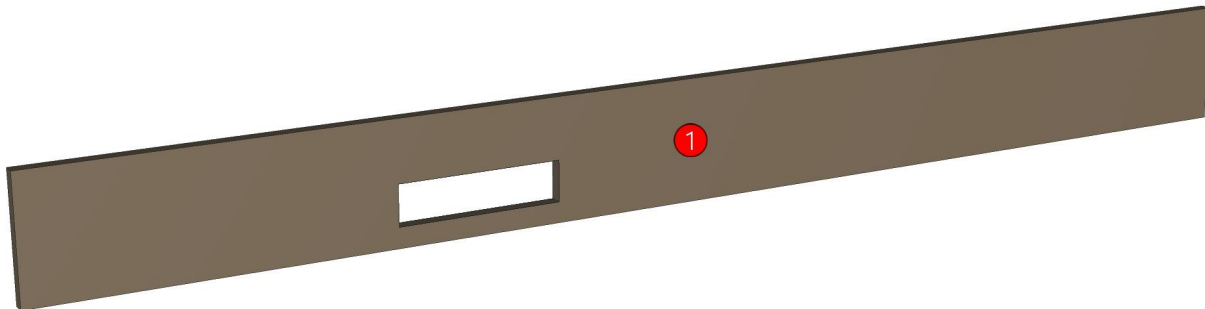
สินค้าตรงตัวอย่าง

ผู้ทบทวน P.SAWAI

16/12/25

K103L-160174504

K103R-160174512



<b>Model</b>	FLEXI_RC_DF_CL1600G		
<b>Creator</b>	PASATHORN	<b>.BCP Name</b>	INDEX_C3D_KITCHEN2
<b>Reviewer</b>		<b>Order</b>	I004658
<b>Approves</b>	P. SAWAI	<b>Date</b>	16/12/2025

No.	Article No.	Description	Mat	Dimension	Cutting Size	Typepology	Skin
0	FLEXI_RC_DF_CL1600G FLEXI_RC_DF_CL1600G-01	FLEXI_RC_DF_CL1600G DFCL-SP	PB-SP	1600x150x16 16x150x1600	16X149X1600;L1:W0	183000_STR=02.62_EDG=SANDSTONE073-1	2

<b>Model</b>	FLEXI_RC_DL60HR		
<b>Creator</b>	PASATHORN	<b>.BCP Name</b>	INDEX_C3D_KITCHEN2
<b>Reviewer</b>		<b>Order</b>	I004684
<b>Approves</b>		<b>Date</b>	08/01/2026

## **FLEXI\_RC\_DL60HR-600X300X760**

**Colour**

02.62 FOIL 75GMS.MD216(SANSTONE)AQ-264KB(AQ PAPER)\_

-

-

-

K100L-160124666

K101L-160174777

K102L-160174496

K103L-160174504

**Edge**

01.155 1 SANDSTONE (P7-500M1) \_

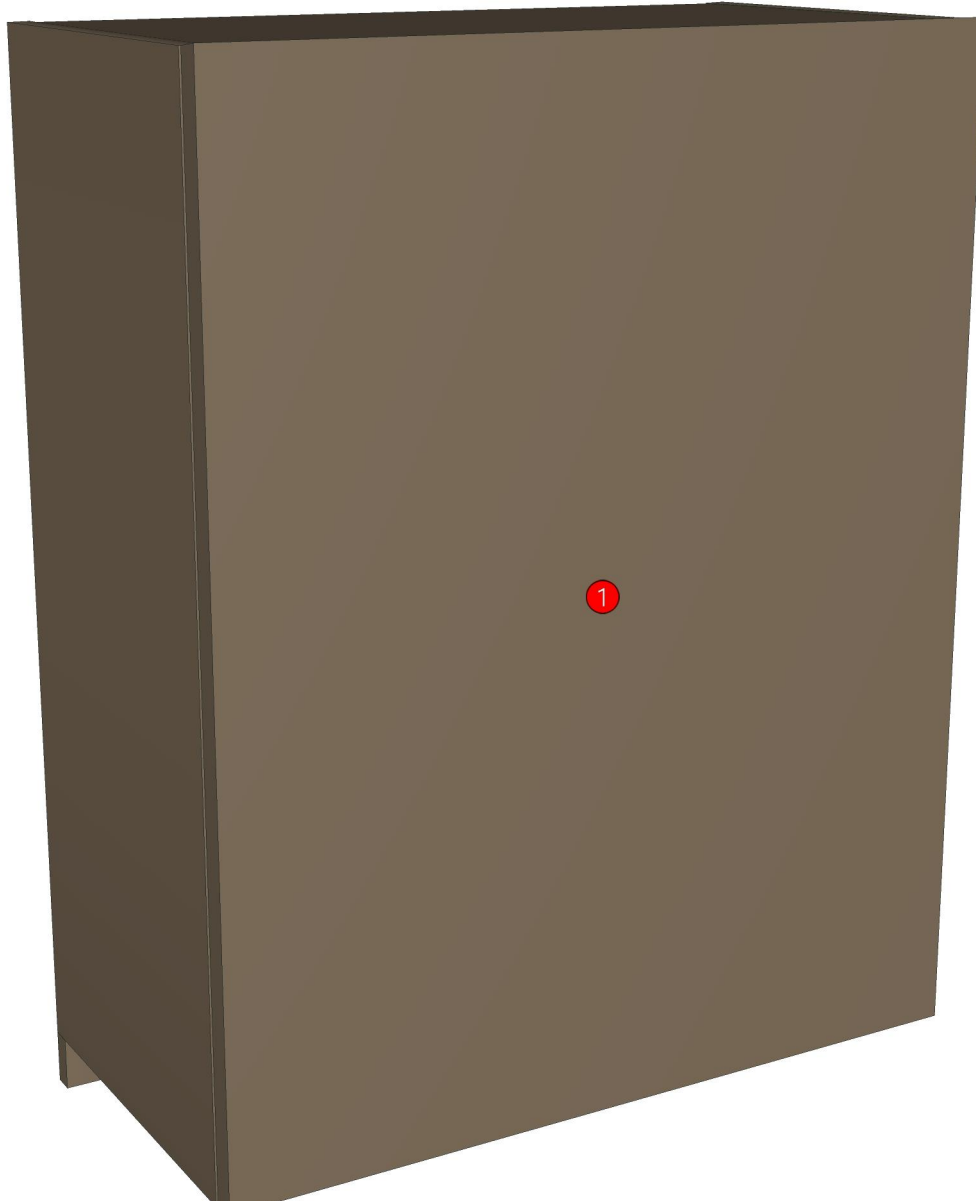
-

-

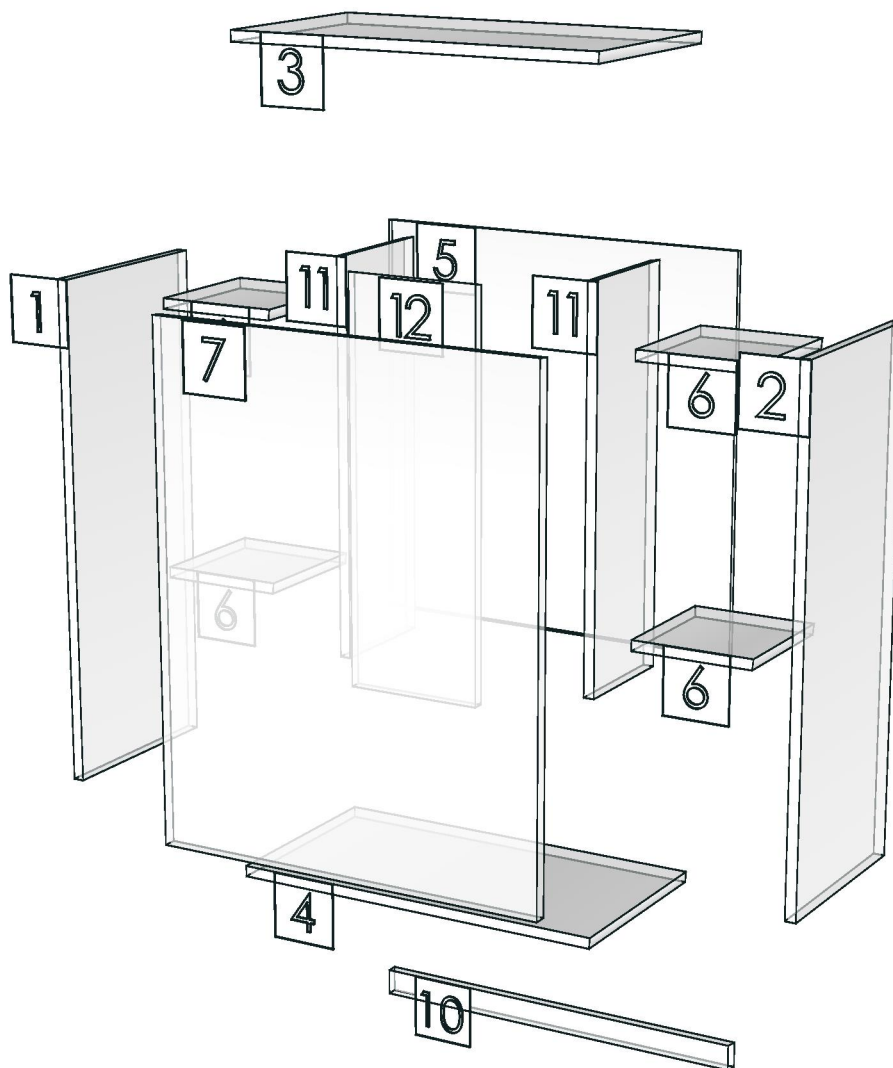
-

-

<b>R&amp;D REVIEW</b>	
<input checked="" type="checkbox"/>	DWG.Customer
<input checked="" type="checkbox"/>	Work Report
<input type="checkbox"/>	Function
<input type="checkbox"/>	สินค้าตรงตัวอย่าง
ผู้ทบทวน _____	



<b>Model</b>	-FLEXI_RC_DL60HR		
<b>Creator</b>		<b>.BCP Name</b>	INDEX_C3D_KITCHEN2
<b>Reviewer</b>		<b>Order</b>	I004684
<b>Approves</b>		<b>Date</b>	



<b>Model</b>	FLEXI_RC_DLO80L		
<b>Creator</b>	PASATHORN	<b>.BCP Name</b>	INDEX_C3D_KITCHEN2
<b>Reviewer</b>		<b>Order</b>	I004683
<b>Approves</b>	P.SAWAI	<b>Date</b>	08/01/2026

## **FLEXI\_RC\_DLO80L-800X300X700**

**Colour**

02.62 FOIL 75GMS.MD216(SANSTONE)AQ-264KB(AQ PAPER)\_

-  
-  
-  
-

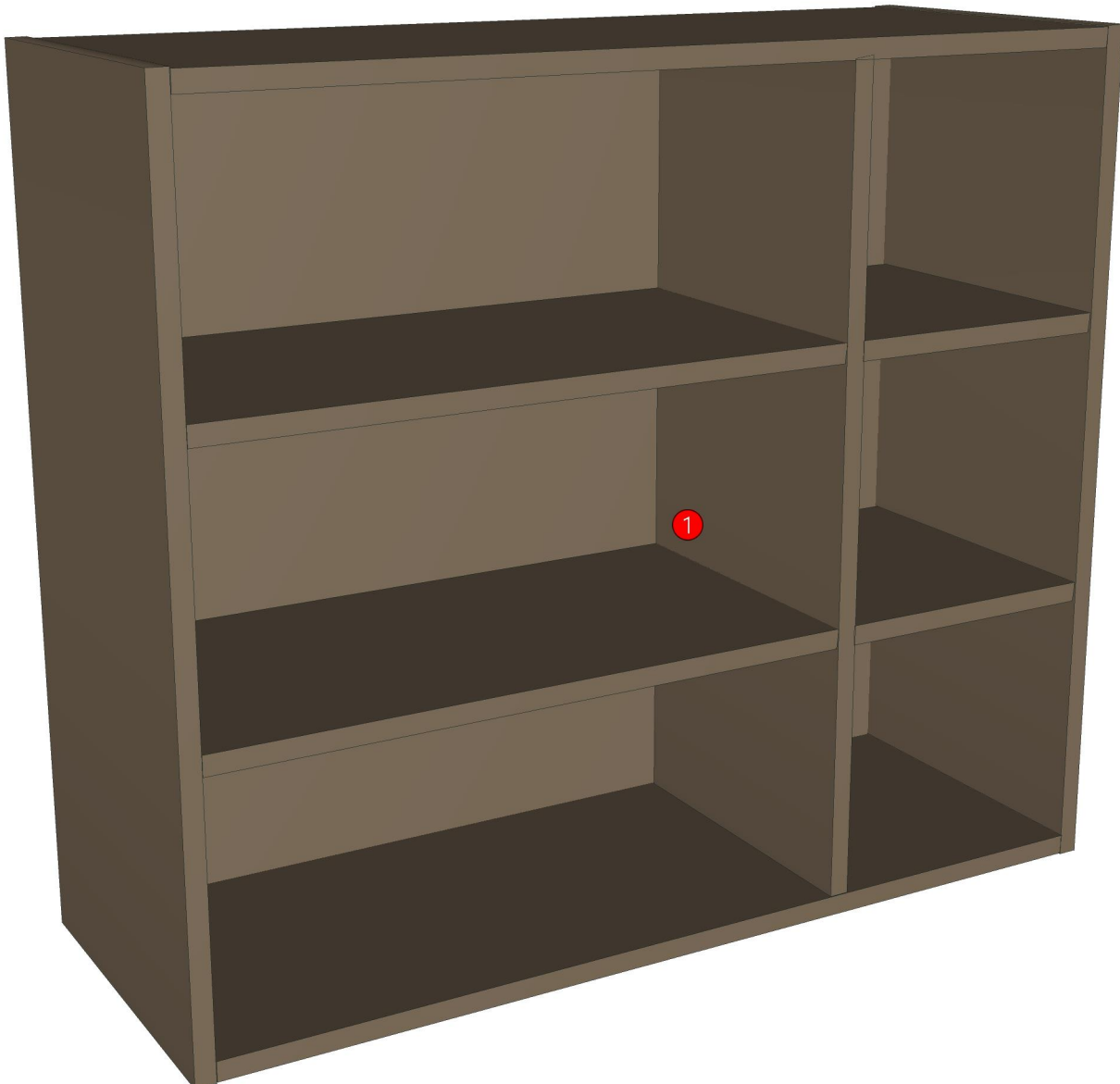
**Edge**

01.155 1 SANDSTONE (P7-500M1) \_

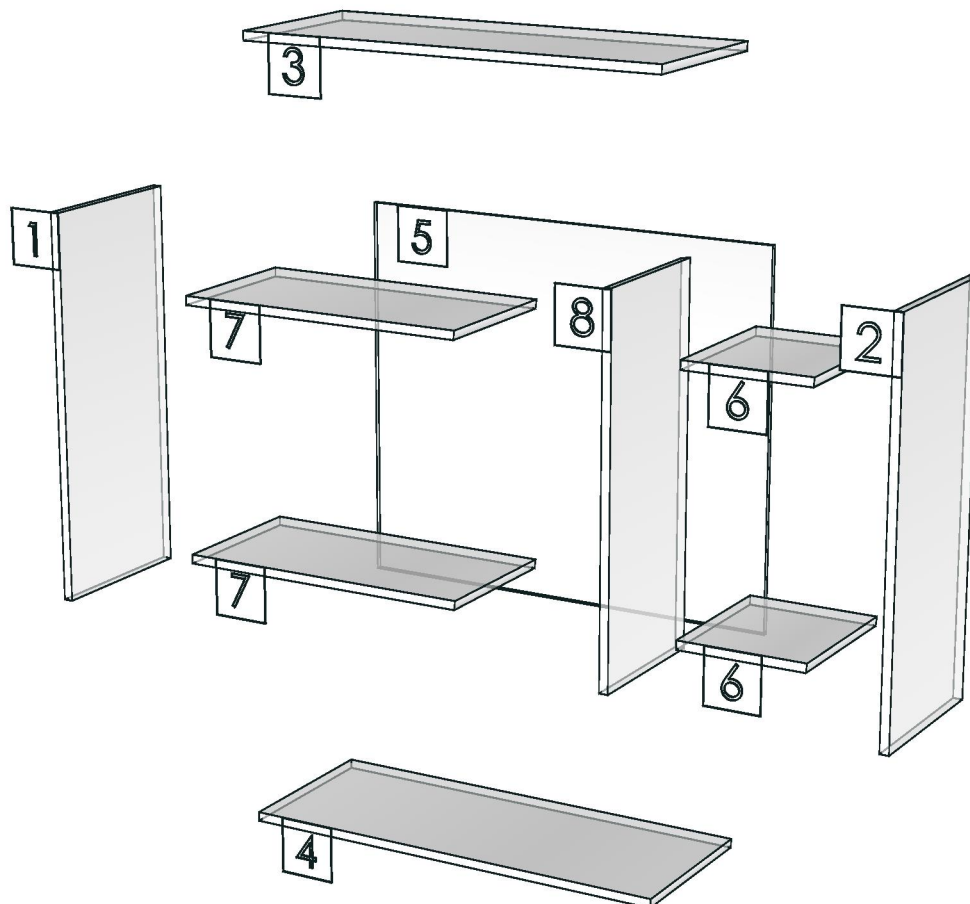
-  
-  
-  
-

<b>R&amp;D REVIEW</b>	
<input checked="" type="checkbox"/>	DWG.Customer
<input checked="" type="checkbox"/>	Work Report
<input type="checkbox"/>	Function
<input type="checkbox"/>	สินค้าตรงตัวอย่าง
ผู้ทบทวน <u>P.SAWAI</u>	
<u>25/8/2563</u>	

K103L-160174504



<b>Model</b>	-FLEXI_RC_DLO80L		
<b>Creator</b>		<b>.BCP Name</b>	INDEX_C3D_KITCHEN2
<b>Reviewer</b>		<b>Order</b>	I004683
<b>Approves</b>	P.SAWAI	<b>Date</b>	



<b>Model</b>	FLEXI_RC_D_PLT1600		
<b>Creator</b>	PASATHORN	<b>.BCP Name</b>	INDEX_C3D_KITCHEN2
<b>Reviewer</b>		<b>Order</b>	I004656
<b>Approves</b>	P.SAWAI	<b>Date</b>	16/12/2025

## **FLEXI\_RC\_D\_PLT1600-1600X9X100**

**Colour**

02.78 FOIL 45GMS.MD627(VALENTINO)AQ-346-15KBWG(AQ PAPER)\_

-  
-  
-  
-

**Edge**

01.261 1 MD627 \_

-  
-  
-  
-

**R&D REVIEW**

DWG.Customer

Work Report

Function

สินค้าตรงตัวอย่าง

ผู้ทบทวน P.SAWAI

25/8/2563

K103L-160174504

K103R-160174512



<b>Model</b>	FLEXI_RC_D_PLT1600		
<b>Creator</b>	PASATHORN	<b>.BCP Name</b>	INDEX_C3D_KITCHEN2
<b>Reviewer</b>		<b>Order</b>	I004656
<b>Approves</b>	P. SAWAI	<b>Date</b>	16/12/2025

No.	Article No.	Description	Mat	Dimension	Cutting Size	Typepology	Skin
0	FLEXI_RC_D_PLT1600	FLEXI_RC_D_PLT1600		1600x100x9			
	FLEXI_RC_D_PLT1600-01	DPLINT	PB-SP	9x100x1600	9X98X1598;L2:W2	183000 _STR=02.78 _EDG=MD627-1	2