

Model	FLEXI_RC_DBH602		
Creator	PASATHORN	.BCP Name	INDEX_C3D_KITCHEN2
Reviewer		Order	I004668
Approves		Date	23/12/2025

FLEXI_RC_DBH602-600X570X838

Colour

02.78 FOIL 45GMS.MD627(VALENTINO)AQ-346-15KBWG(AQ PAPER)_

02.62 FOIL 75GMS.MD216(SANSTONE)AQ-264KB(AQ PAPER)_

-

-

-

Edge

01.261 1 MD627 _

01.155 1 SANDSTONE (P7-500M1) _

-

-

-

R&D REVIEW	
<input checked="" type="checkbox"/>	DWG.Customer
<input checked="" type="checkbox"/>	Work Report
<input type="checkbox"/>	Function
<input type="checkbox"/>	สินค้าตรงตัวอย่าง
ผู้ทบทวน _____	

K102L-160174496

K102R-160124673

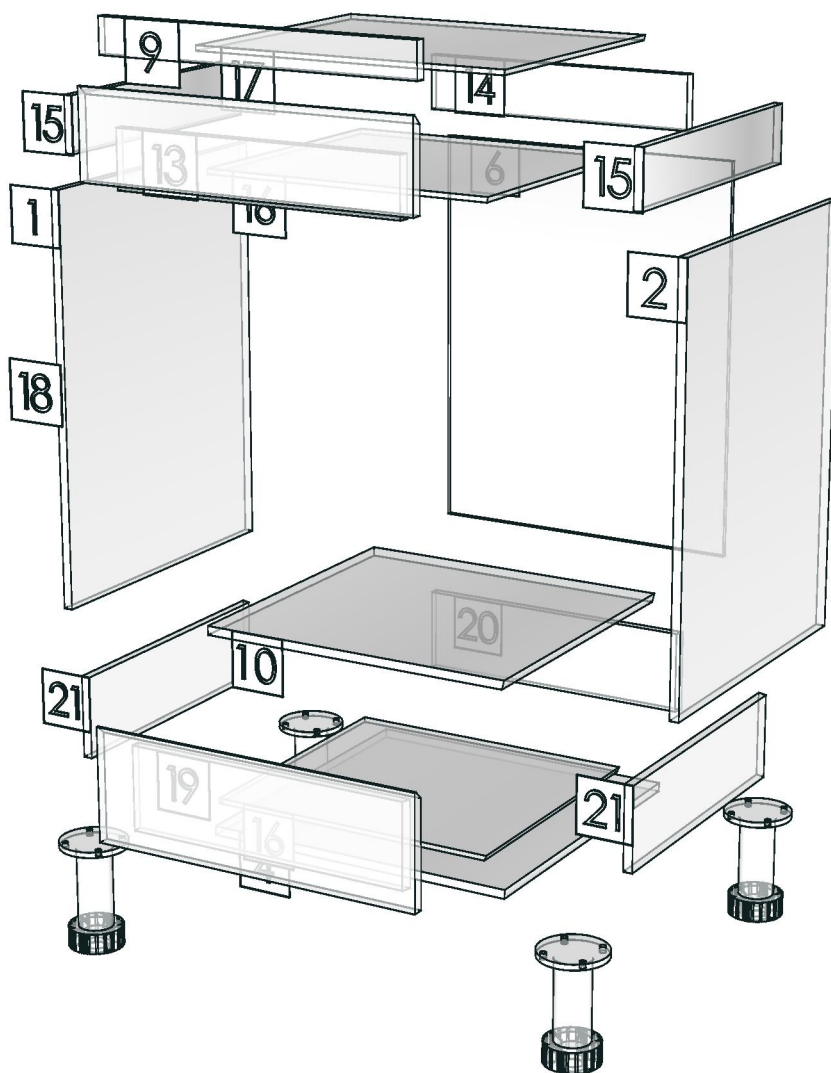
K103L-160174504

K103R-160174512



Model	-FLEXI_RC_DBH602		
Creator		.BCP Name	INDEX_C3D_KITCHEN2
Reviewer		Order	I004668
Approves		Date	

12



Model	FLEXI_RC_DBS50L		
Creator	PASATHORN	.BCP Name	INDEX_C3D_KITCHEN2
Reviewer		Order	I004685
Approves		Date	08/01/2026

FLEXI_RC_DBS50L-500X570X838

Colour

02.78 FOIL 45GMS.MD627(VALENTINO)AQ-346-15KBWG(AQ PAPER)_

-
-
-
-

Edge

01.261 1 MD627 _

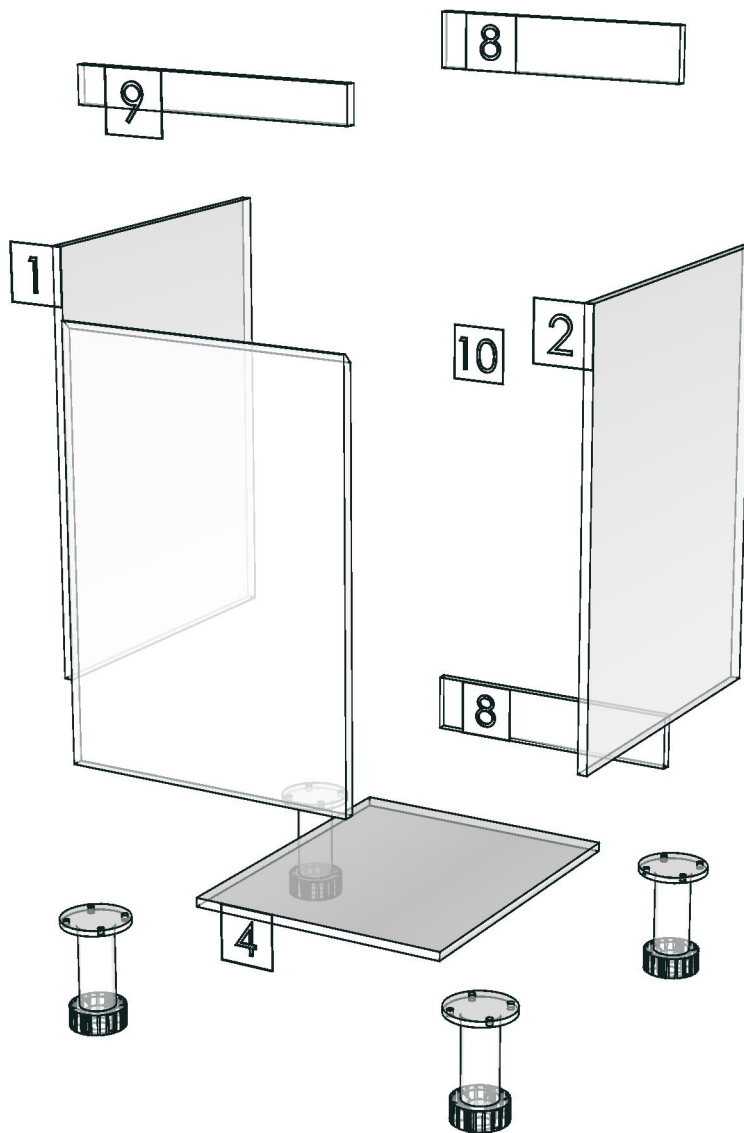
-
-
-
-

R&D REVIEW	
<input checked="" type="checkbox"/>	DWG.Customer
<input checked="" type="checkbox"/>	Work Report
<input type="checkbox"/>	Function
<input type="checkbox"/>	สินค้าตรงตัวอย่าง
ผู้ทบทวน _____	

K102L-160174496



Model	-FLEXI_RC_DBS50L		
Creator		.BCP Name	INDEX_C3D_KITCHEN2
Reviewer		Order	I004685
Approves		Date	



Model	FLEXI_RC_DDM600		
Creator	PASATHORN	.BCP Name	INDEX_C3D_KITCHEN2
Reviewer		Order	I004661
Approves	P.SAWAI	Date	16/12/2025

FLEXI_RC_DDM600-600X16X100

Colour

02.62 FOIL 75GMS.MD216(SANSTONE)AQ-264KB(AQ PAPER)_

-

-

-

K100L-160124666

K100R-160174489

K102L-160174496

K102R-160124673

Edge

01.155 1 SANDSTONE (P7-500M1) _

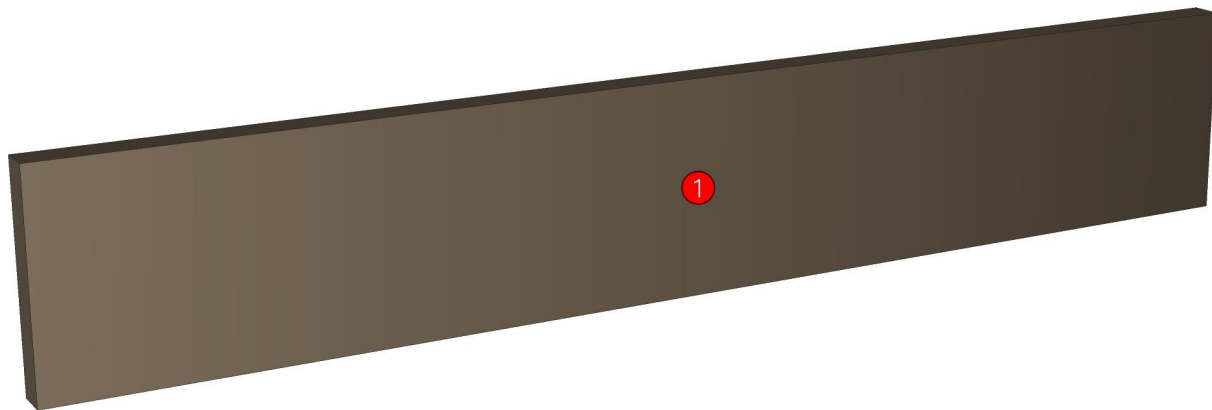
-

-

-

-

R&D REVIEW	
<input checked="" type="checkbox"/>	DWG.Customer
<input checked="" type="checkbox"/>	Work Report
<input type="checkbox"/>	Function
<input type="checkbox"/>	สินค้าตรงตัวอย่าง
ผู้ทบทวน <u>P.SAWAI</u>	
<u>16/12/2025</u>	



Model	FLEXI_RC_DDM600		
Creator	PASATHORN	.BCP Name	INDEX_C3D_KITCHEN2
Reviewer		Order	I004661
Approves	P. SAWAI	Date	16/12/2025

No.	Article No.	Description	Mat	Dimension	Cutting Size	Typepology	Skin
0	FLEXI_RC_DDM600 FLEXI_RC_DDM600-01	FLEXI_RC_DDM600 DDM-SP	PB-SP	600x100x16 16x100x600	16X98X598;L2:W2	183000_STR=02.62_EDG=SANDSTONE073-1	2

Model	FLEXI_RC_DFB		
Creator	PASATHORN	.BCP Name	INDEX_C3D_KITCHEN2
Reviewer		Order	I004666
Approves	P.SAWAI	Date	22/12/2025

FLEXI_RC_DFB-150X16X738

Colour

02.78 FOIL 45GMS.MD627(VALENTINO)AQ-346-15KBWG(AQ PAPER)_

-
-
-
-

Edge

01.261 1 MD627 _

-
-
-
-

R&D REVIEW

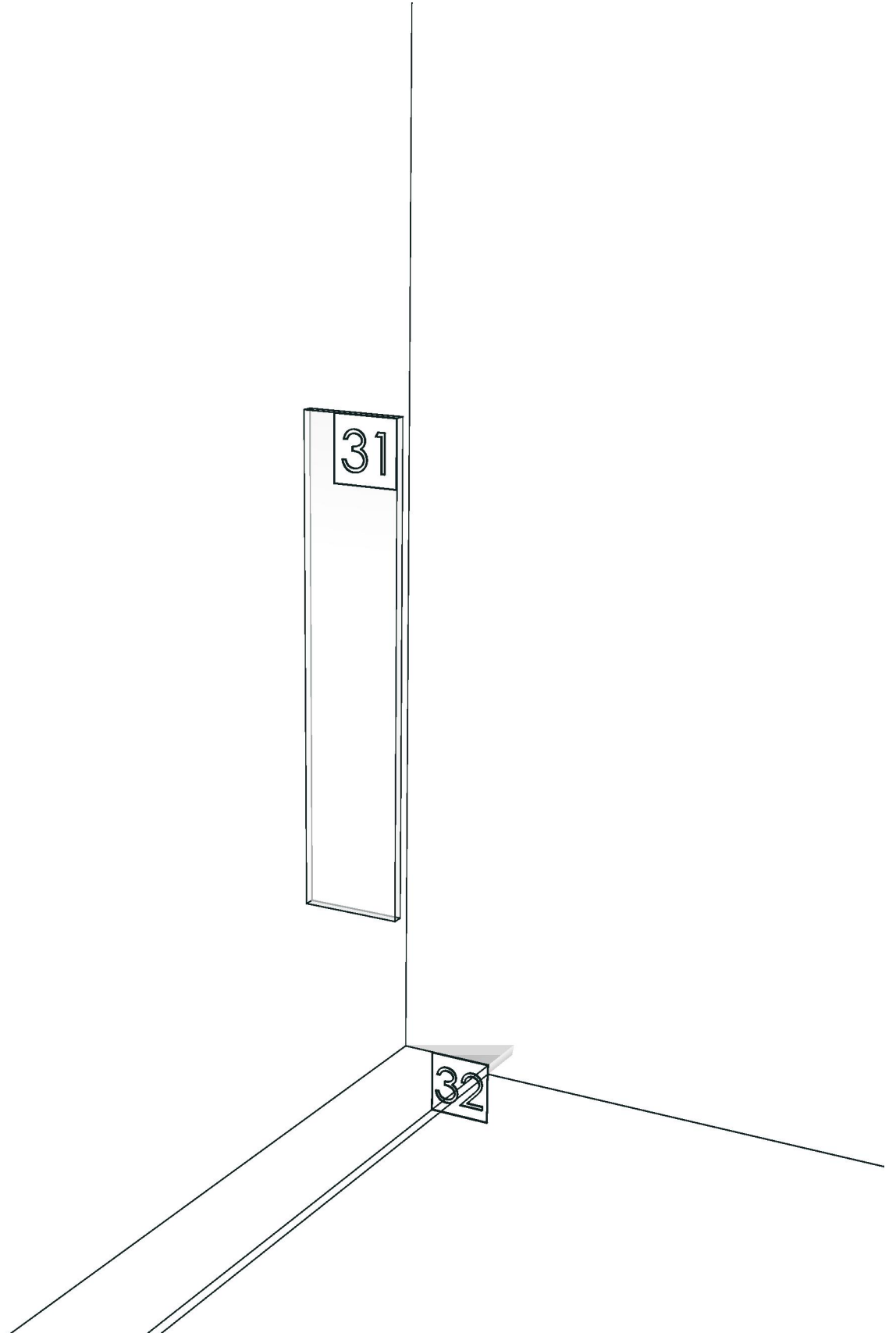
- DWG.Customer
- Work Report
- Function
- สินค้าตรงตัวอย่าง

ผู้ทบทวน P.SAWAI
22/12/25

- K101L-160174777
- K101R-160174785
- K102L-160174496
- K102R-160124673
- K103L-160174504
- K103R-160174512



Model	-FLEXI_RC_DFB		
Creator		.BCP Name	INDEX_C3D_KITCHEN2
Reviewer		Order	I004666
Approves	P.SAWAI	Date	



Model	FLEXI_RC_DFL1		
Creator	PASATHORN	.BCP Name	INDEX_C3D_KITCHEN2
Reviewer		Order	I004659
Approves	P.SAWAI	Date	16/12/2025

FLEXI_RC_DFL1-150X16X800

Colour

02.62 FOIL 75GMS.MD216(SANSTONE)AQ-264KB(AQ PAPER)_

-
-
-
-

Edge

01.155 1 SANDSTONE (P7-500M1) _

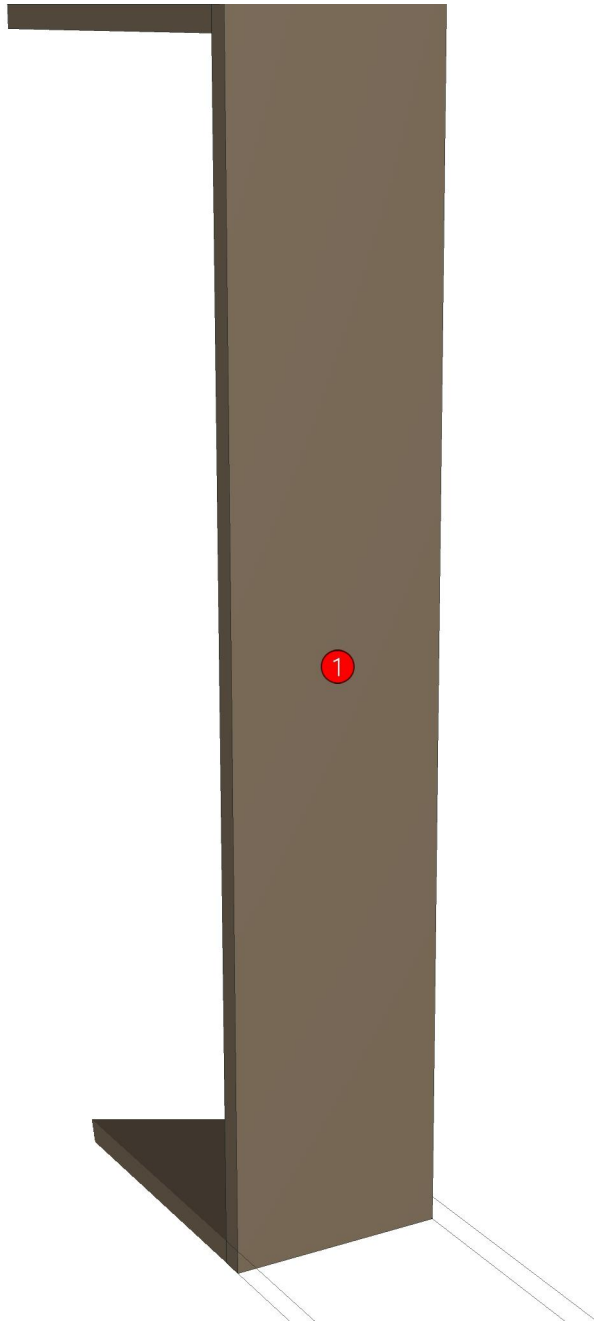
-
-
-
-

R&D REVIEW

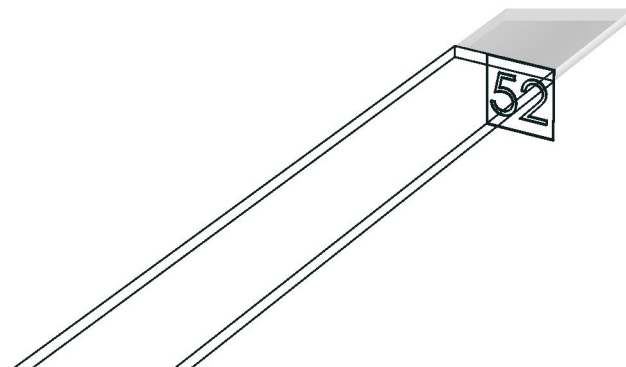
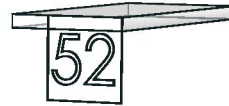
- DWG.Customer
- Work Report
- Function
- สินค้าตรงตัวอย่าง

ผู้ทบทวน P.SAWAI
16/12/2025

- K102L-160174496
- K102R-160124673
- K103L-160174504
- K103R-160174512



Model	-FLEXI_RC_DFL1		
Creator		.BCP Name	INDEX_C3D_KITCHEN2
Reviewer		Order	I004659
Approves	P. SAWAI	Date	



Model	FLEXI_RC_DFL2		
Creator	PASATHORN	.BCP Name	INDEX_C3D_KITCHEN2
Reviewer		Order	I004660
Approves	P.SAWAI	Date	16/12/2025

FLEXI_RC_DFL2-150X16X700

Colour

02.62 FOIL 75GMS.MD216(SANSTONE)AQ-264KB(AQ PAPER)_

-
-
-
-

Edge

01.155 1 SANDSTONE (P7-500M1) _

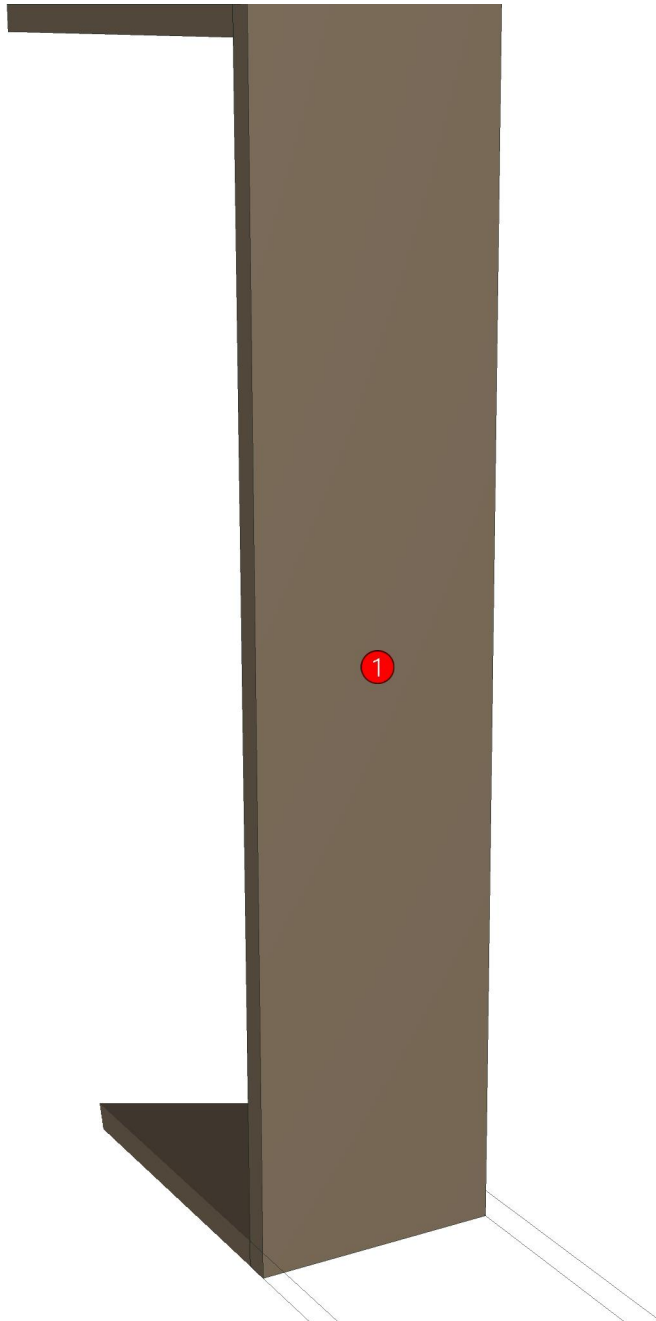
-
-
-
-

R&D REVIEW

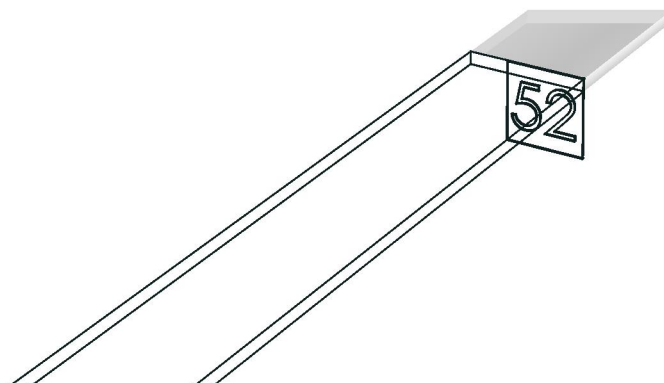
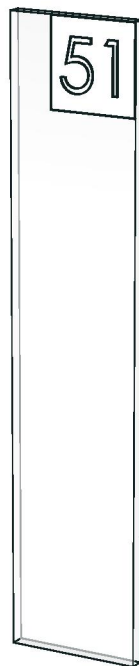
- DWG.Customer
- Work Report
- Function
- สินค้าตรงตัวอย่าง

ผู้ทบทวน P.SAWAI
25/12/25

- K101L-160174777
- K101R-160174785
- K102L-160174496
- K102R-160124673
- K103L-160174504
- K103R-160174512



Model	-FLEXI_RC_DFL2		
Creator		.BCP Name	INDEX_C3D_KITCHEN2
Reviewer		Order	I004660
Approves	P.SAWAI	Date	



Model	FLEXI_RC_DF_CL1300G		
Creator	PASATHORN	.BCP Name	INDEX_C3D_KITCHEN2
Reviewer		Order	I004657
Approves	P.SAWAI	Date	16/12/2025

FLEXI_RC_DF_CL1300G-1300X16X150

Colour

02.62 FOIL 75GMS.MD216(SANSTONE)AQ-264KB(AQ PAPER)_

-
-
-
-

Edge

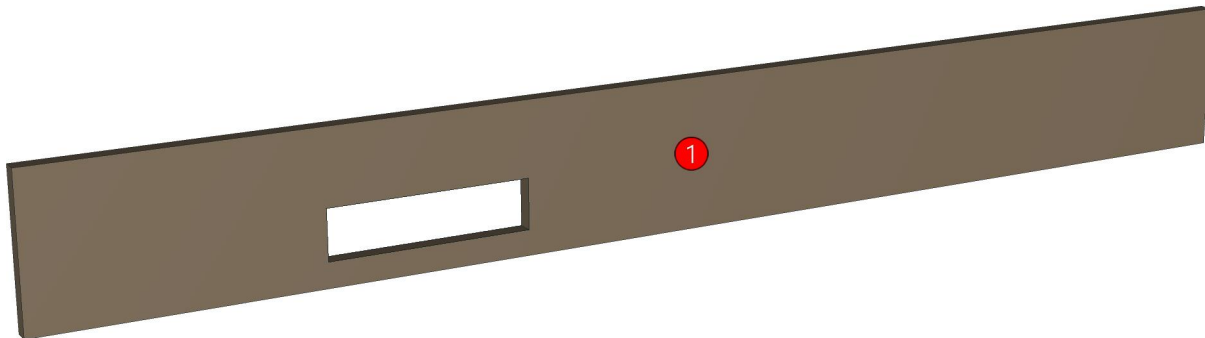
01.155 1 SANDSTONE (P7-500M1) _

-
-
-
-

R&D REVIEW	
<input checked="" type="checkbox"/>	DWG.Customer
<input checked="" type="checkbox"/>	Work Report
<input type="checkbox"/>	Function
<input type="checkbox"/>	สินค้าตรงตัวอย่าง
ผู้ทบทวน <u>P.SAWAI</u>	
<u>16/12/2025</u>	

K102L-160174496

K102R-160124673



Model	FLEXI_RC_DF_CL1300G		
Creator	PASATHORN	.BCP Name	INDEX_C3D_KITCHEN2
Reviewer		Order	I004657
Approves	P. SAWAI	Date	16/12/2025

No.	Article No.	Description	Mat	Dimension	Cutting Size	Typepology	Skin
0	FLEXI_RC_DF_CL1300G FLEXI_RC_DF_CL1300G-01	FLEXI_RC_DF_CL1300G DFCL-SP	PB-SP	1300x150x16 16x150x1300	16X149X1300;L1:W0	183000_STR=02.62_EDG=SANDSTONE073-1	2

Model	FLEXI_RC_DL60HR		
Creator	PASATHORN	.BCP Name	INDEX_C3D_KITCHEN2
Reviewer		Order	I004684
Approves		Date	08/01/2026

FLEXI_RC_DL60HR-600X300X760

Colour

02.62 FOIL 75GMS.MD216(SANSTONE)AQ-264KB(AQ PAPER)_

-

-

-

K100L-160124666

K101L-160174777

K102L-160174496

K103L-160174504

Edge

01.155 1 SANDSTONE (P7-500M1) _

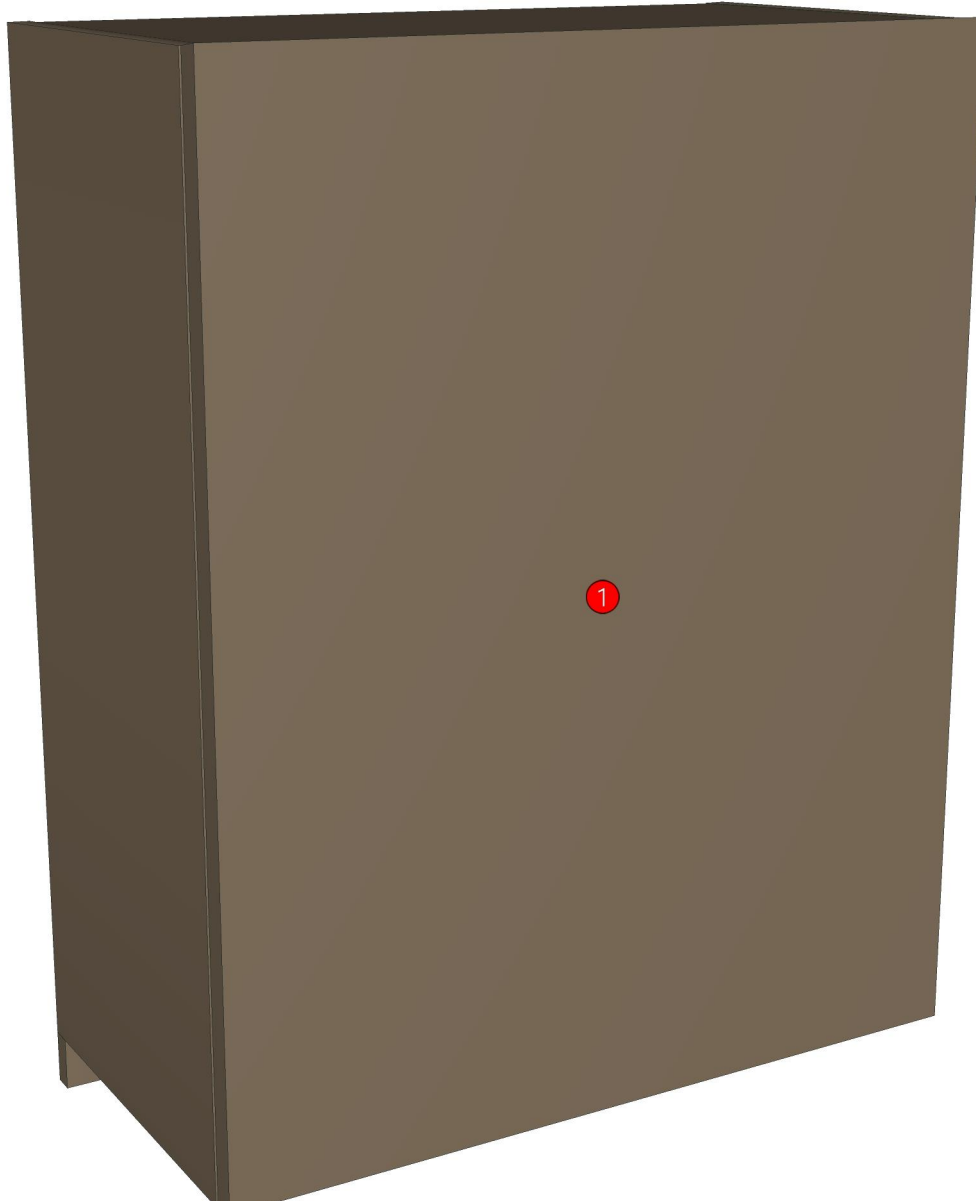
-

-

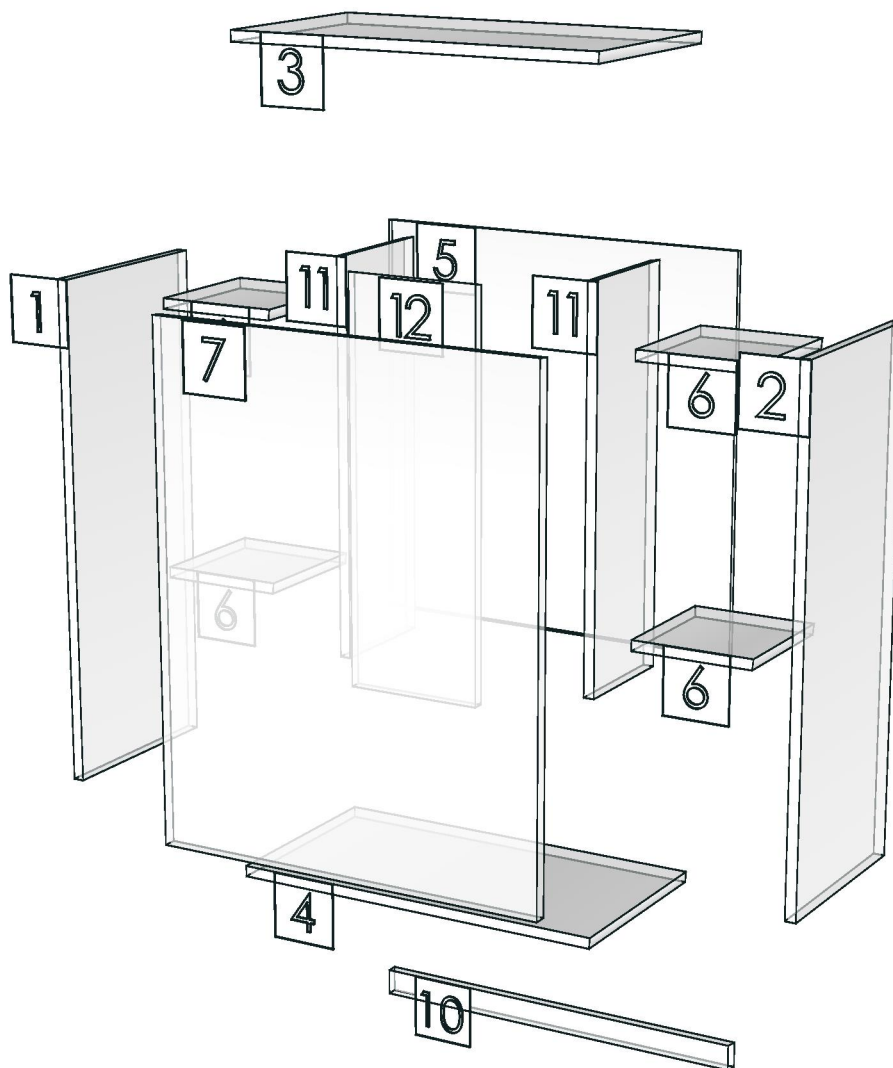
-

-

R&D REVIEW	
<input checked="" type="checkbox"/>	DWG.Customer
<input checked="" type="checkbox"/>	Work Report
<input type="checkbox"/>	Function
<input type="checkbox"/>	สินค้าตรงตัวอย่าง
ผู้ทบทวน _____	



Model	-FLEXI_RC_DL60HR		
Creator		.BCP Name	INDEX_C3D_KITCHEN2
Reviewer		Order	I004684
Approves		Date	



Model	FLEXI_RC_DLO50		
Creator	PASATHORN	.BCP Name	INDEX_C3D_KITCHEN2
Reviewer		Order	I004663
Approves	P.SAWAI	Date	18/12/2025

FLEXI_RC_DLO50-500X300X700

Colour

02.62 FOIL 75GMS.MD216(SANSTONE)AQ-264KB(AQ PAPER)_

-
-
-
-

Edge

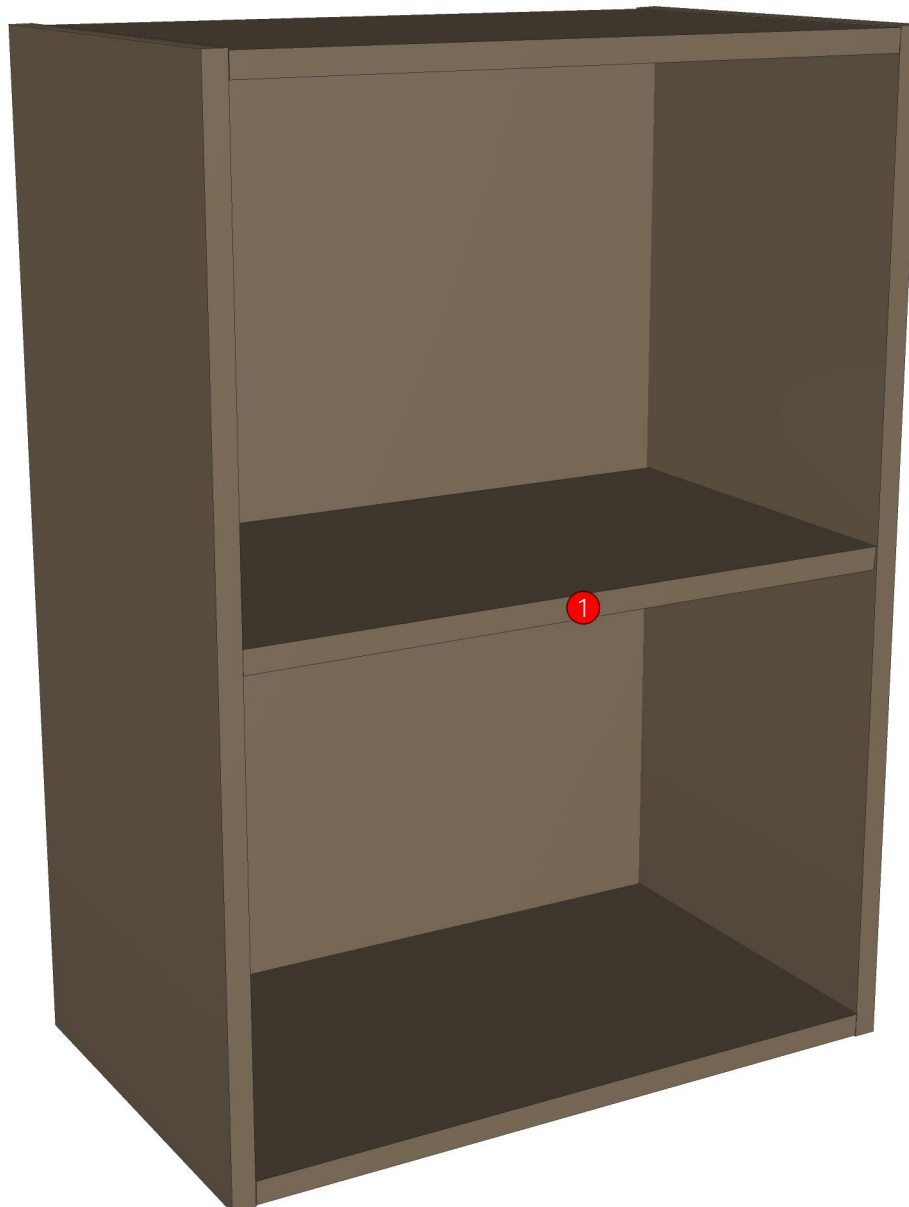
01.155 1 SANDSTONE (P7-500M1) _

-
-
-
-

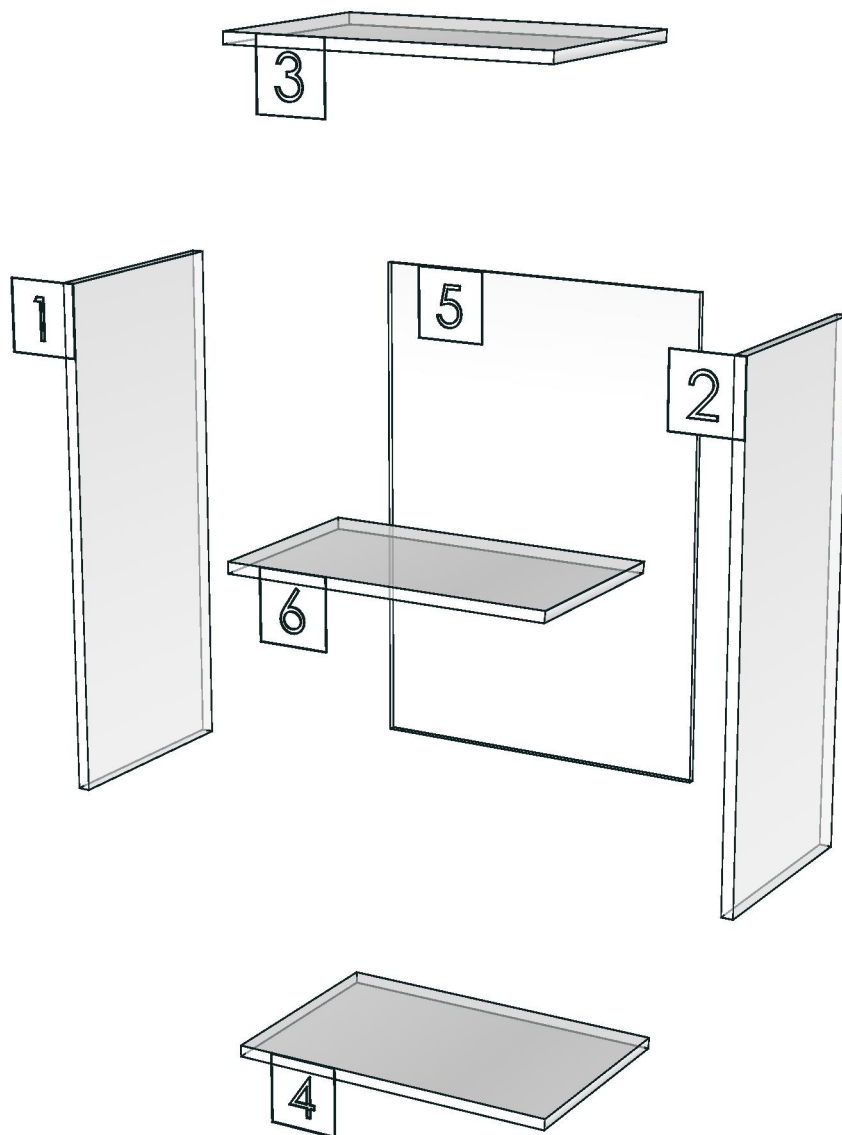
R&D REVIEW	
<input checked="" type="checkbox"/>	DWG.Customer
<input checked="" type="checkbox"/>	Work Report
<input type="checkbox"/>	Function
<input type="checkbox"/>	สินค้าตรงตัวอย่าง
ผู้ทบทวน <u>P.SAWAI</u>	
<u>25/12/25</u>	

K102L-160174496

K102R-160124673



Model	-FLEXI_RC_DLO50		
Creator		.BCP Name	INDEX_C3D_KITCHEN2
Reviewer		Order	I004663
Approves	P.SAWAI	Date	



Model	FLEXI_RC_D_PLT1300		
Creator	PASATHORN	.BCP Name	INDEX_C3D_KITCHEN2
Reviewer		Order	I004655
Approves	P.SAWAI	Date	16/12/2025

FLEXI_RC_D_PLT1300-1300X9X100

Colour

02.78 FOIL 45GMS.MD627(VALENTINO)AQ-346-15KBWG(AQ PAPER)_

-
-
-
-

Edge

01.261 1 MD627 _

-
-
-
-

R&D REVIEW

DWG.Customer

Work Report

Function

สินค้าตรงตัวอย่าง

ผู้ทบทวน P.SAWAI

16/12/25

K102L-160174496

K102R-160124673



Model	FLEXI_RC_D_PLT1300		
Creator	PASATHORN	.BCP Name	INDEX_C3D_KITCHEN2
Reviewer		Order	I004655
Approves	P. SAWAI	Date	16/12/2025

No.	Article No.	Description	Mat	Dimension	Cutting Size	Typepology	Skin
0	FLEXI_RC_D_PLT1300	FLEXI_RC_D_PLT1300		1300x100x9			
	FLEXI_RC_D_PLT1300-01	DPLINT	PB-SP	9x100x1300	9X98X1298;L2:W2	183000 _STR=02.78 _EDG=MD627-1	2