

Model	FLEXI_RC_DBH602GL		
Creator	PASATHORN	.BCP Name	INDEX_C3D_KITCHEN2
Reviewer		Order	I004690
Approves		Date	08/01/2026

FLEXI_RC_DBH602GL-600X570X838

Colour

02.78 FOIL 45GMS.MD627(VALENTINO)AQ-346-15KBWG(AQ PAPER)_

02.62 FOIL 75GMS.MD216(SANSTONE)AQ-264KB(AQ PAPER)_

-

-

-

K100R-160174489

K101R-160174785

Edge

01.261 1 MD627 _

01.155 1 SANDSTONE (P7-500M1) _

-

-

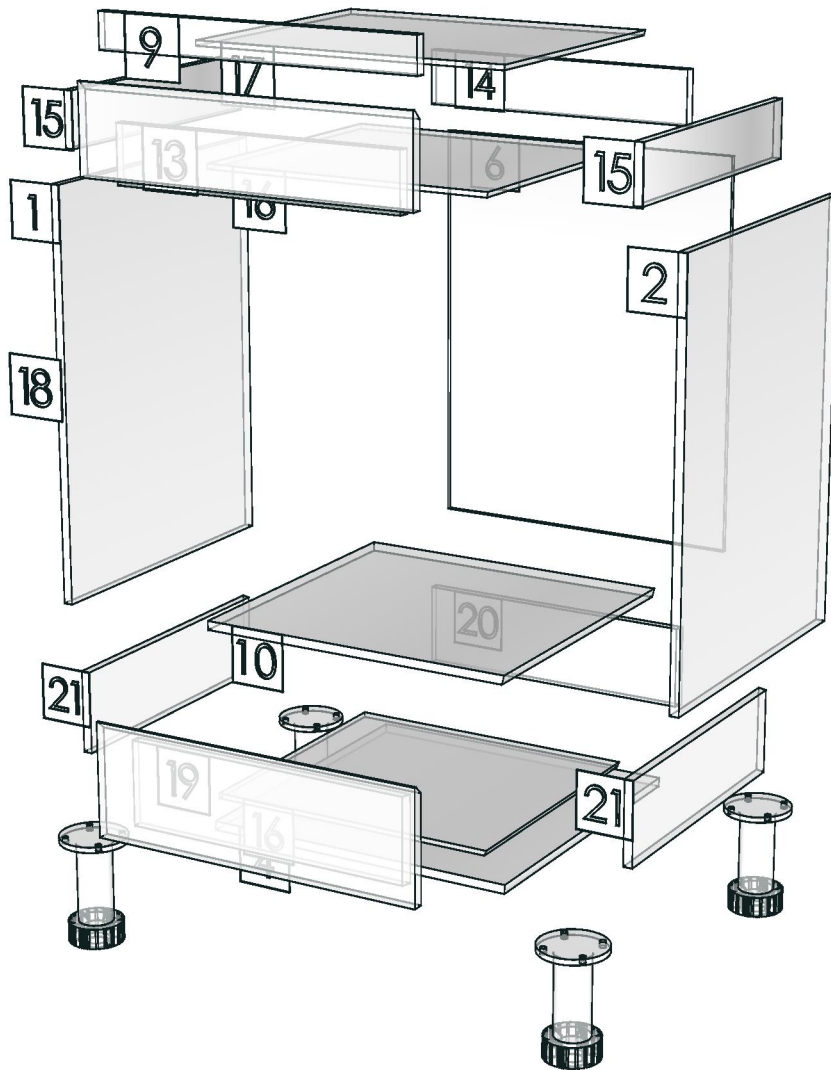
-

R&D REVIEW	
<input checked="" type="checkbox"/>	DWG.Customer
<input checked="" type="checkbox"/>	Work Report
<input type="checkbox"/>	Function
<input type="checkbox"/>	สินค้าตรงตัวอย่าง
ผู้ทบทวน _____	



Model	-FLEXI_RC_DBH602GL		
Creator		.BCP Name	INDEX_C3D_KITCHEN2
Reviewer		Order	I004690
Approves		Date	

12



Model	FLEXI_RC_DBS60R		
Creator	PASATHORN	.BCP Name	INDEX_C3D_KITCHEN2
Reviewer		Order	I004689
Approves		Date	08/01/2026

FLEXI_RC_DBS60R-600X570X838

Colour

02.78 FOIL 45GMS.MD627(VALENTINO)AQ-346-15KBWG(AQ PAPER)_

-

-

-

-

K100R-160174489

Edge

01.261 1 MD627 _

-

-

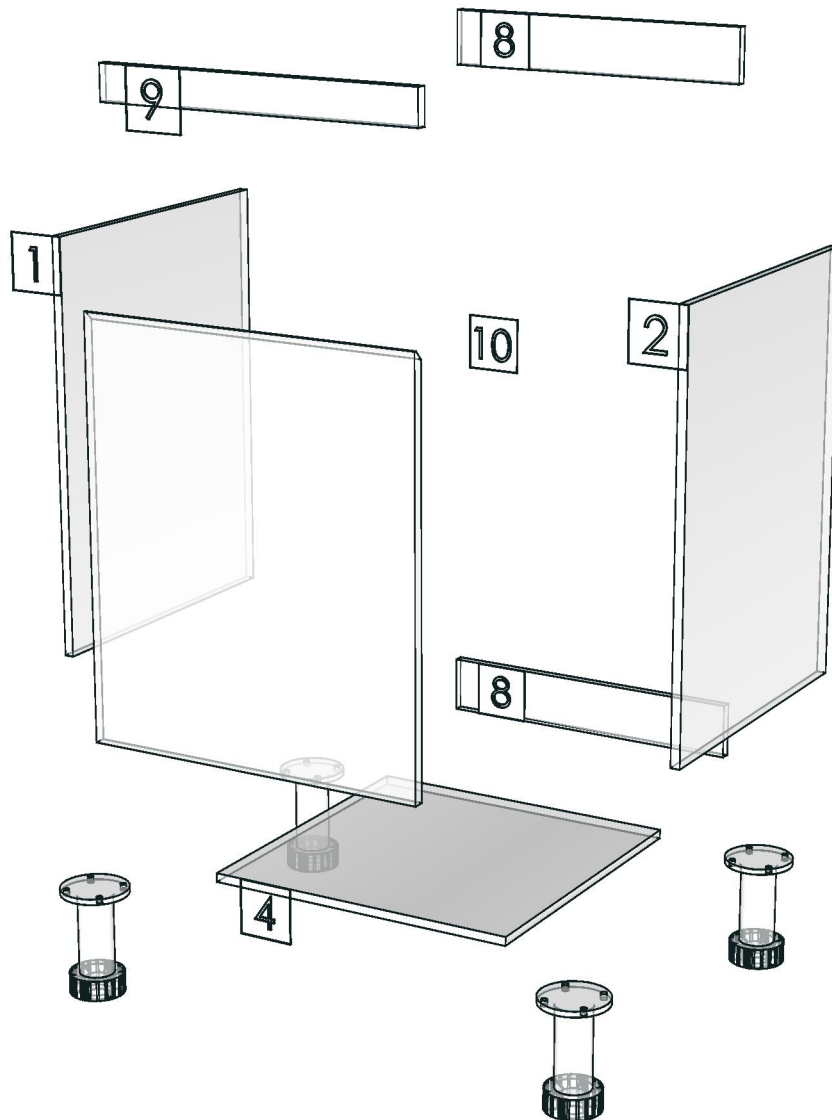
-

-

R&D REVIEW	
<input checked="" type="checkbox"/>	DWG.Customer
<input checked="" type="checkbox"/>	Work Report
<input type="checkbox"/>	Function
<input type="checkbox"/>	สินค้าตรงตัวอย่าง
ผู้ทบทวน _____	



Model	-FLEXI_RC_DBS60R		
Creator		.BCP Name	INDEX_C3D_KITCHEN2
Reviewer		Order	I004689
Approves		Date	



Model	FLEXI_RC_DDM600		
Creator	PASATHORN	.BCP Name	INDEX_C3D_KITCHEN2
Reviewer		Order	I004661
Approves	P.SAWAI	Date	16/12/2025

FLEXI_RC_DDM600-600X16X100

Colour

02.62 FOIL 75GMS.MD216(SANSTONE)AQ-264KB(AQ PAPER)_

-

-

-

K100L-160124666

K100R-160174489

K102L-160174496

K102R-160124673

Edge

01.155 1 SANDSTONE (P7-500M1) _

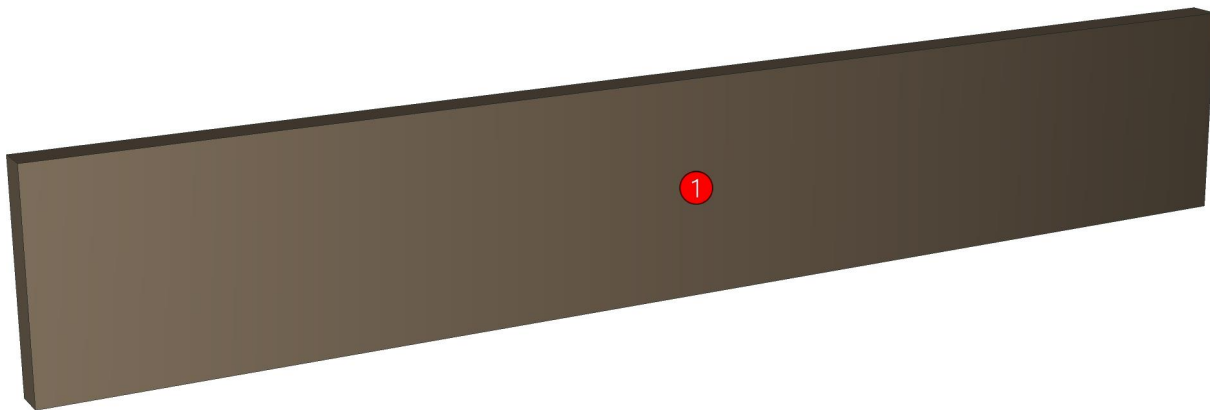
-

-

-

-

R&D REVIEW	
<input checked="" type="checkbox"/>	DWG.Customer
<input checked="" type="checkbox"/>	Work Report
<input type="checkbox"/>	Function
<input type="checkbox"/>	สินค้าตรงตัวอย่าง
ผู้ทบทวน <u>P.SAWAI</u>	
<u>16/12/2025</u>	



Model	FLEXI_RC_DDM600		
Creator	PASATHORN	.BCP Name	INDEX_C3D_KITCHEN2
Reviewer		Order	I004661
Approves	P. SAWAI	Date	16/12/2025

No.	Article No.	Description	Mat	Dimension	Cutting Size	Typepology	Skin
0	FLEXI_RC_DDM600 FLEXI_RC_DDM600-01	FLEXI_RC_DDM600 DDM-SP	PB-SP	600x100x16 16x100x600	16X98X598;L2:W2	183000_STR=02.62_EDG=SANDSTONE073-1	2

Model	FLEXI_RC_DF_CL1200G		
Creator	PASATHORN	.BCP Name	INDEX_C3D_KITCHEN2
Reviewer		Order	I004677
Approves		Date	08/01/2026

FLEXI_RC_DF_CL1200G-1200X16X150

Colour

02.62 FOIL 75GMS.MD216(SANSTONE)AQ-264KB(AQ PAPER)_

-

-

-

K100L-160124666

K100R-160174489

Edge

01.155 1 SANDSTONE (P7-500M1) _

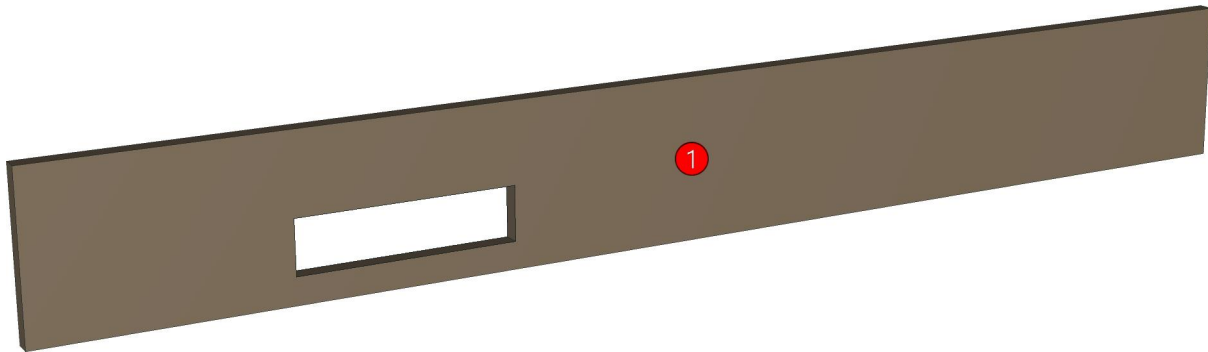
-

-

-

-

R&D REVIEW	
<input checked="" type="checkbox"/>	DWG.Customer
<input checked="" type="checkbox"/>	Work Report
<input type="checkbox"/>	Function
<input type="checkbox"/>	สินค้าตรงตัวอย่าง
ผู้ทบทวน _____	



Model	FLEXI_RC_DF_CL1200G		
Creator	PASATHORN	.BCP Name	INDEX_C3D_KITCHEN2
Reviewer		Order	I004677
Approves		Date	08/01/2026

No.	Article No.	Description	Mat	Dimension	Cutting Size	Typepology	Skin
0	FLEXI_RC_DF_CL1200G	FLEXI_RC_DF_CL1200G		1200x150x16			
	FLEXI_RC_DF_CL1200G-01	DFCL-SP	PB-SP	16x150x1200	16X149X1198;L1:W2	183000_STR=02.62_EDG=SANDSTONE073-1	2

Model	FLEXI_RC_DF_CL300		
Creator	PASATHORN	.BCP Name	INDEX_C3D_KITCHEN2
Reviewer		Order	I004679
Approves		Date	08/01/2026

FLEXI_RC_DF_CL300-300X16X150

Colour

02.62 FOIL 75GMS.MD216(SANSTONE)AQ-264KB(AQ PAPER)_

-

-

-

K100L-160124666

K100R-160174489

K101L-160174777

K101R-160174785

Edge

01.155 1 SANDSTONE (P7-500M1) _

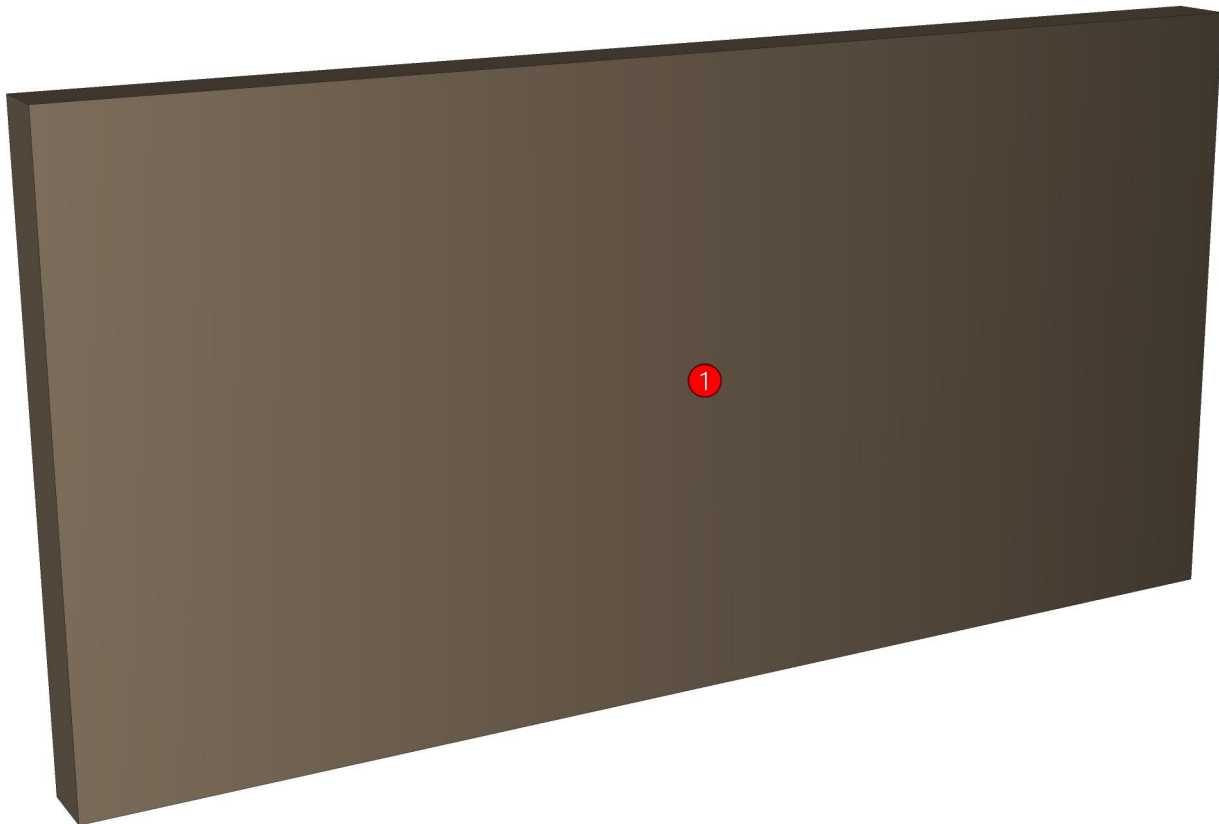
-

-

-

-

R&D REVIEW	
<input checked="" type="checkbox"/>	DWG.Customer
<input checked="" type="checkbox"/>	Work Report
<input type="checkbox"/>	Function
<input type="checkbox"/>	สินค้าตรงตัวอย่าง
ผู้ทบทวน _____	



Model	FLEXI_RC_DF_CL300		
Creator	PASATHORN	.BCP Name	INDEX_C3D_KITCHEN2
Reviewer		Order	I004679
Approves		Date	08/01/2026

No.	Article No.	Description	Mat	Dimension	Cutting Size	Typepology	Skin
0	FLEXI_RC_DF_CL300	FLEXI_RC_DF_CL300		300x150x16			
	FLEXI_RC_DF_CL300-01	DFCL-SP	PB-SP	16x150x300	16X149X299;L1:W1	183000_STR=02.62_EDG=SANDSTONE073-1	2

Model	FLEXI_RC_DL60HL		
Creator	PASATHORN	.BCP Name	INDEX_C3D_KITCHEN2
Reviewer		Order	I004665
Approves	P.SAWAI	Date	19/12/2025

FLEXI_RC_DL60HL-600X300X760

Colour

02.62 FOIL 75GMS.MD216(SANSTONE)AQ-264KB(AQ PAPER)_

-
-
-
-

K100R-160174489

K101R-160174785

K102R-160124673

K103R-160174512

Edge

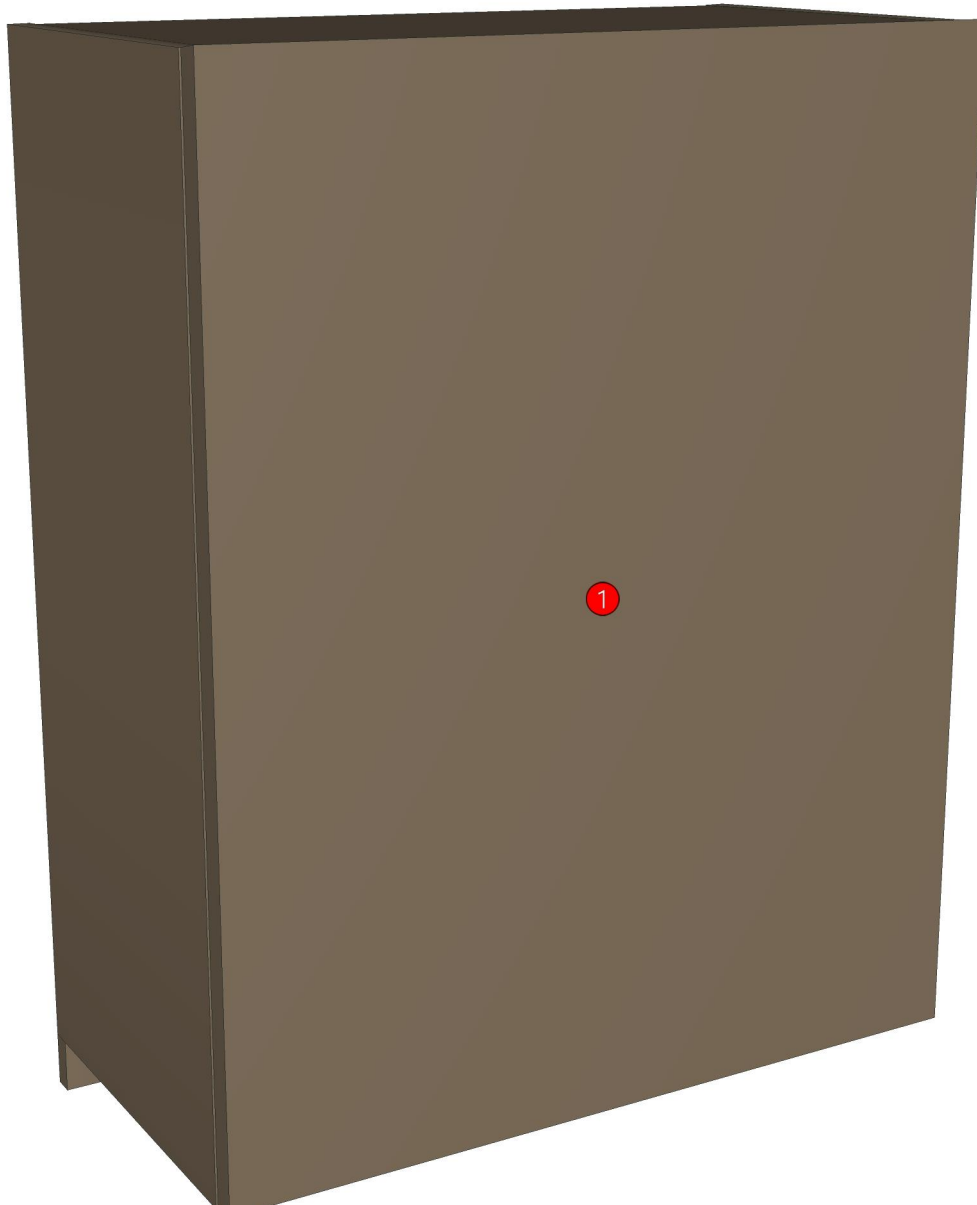
01.155 1 SANDSTONE (P7-500M1) _

-
-
-
-

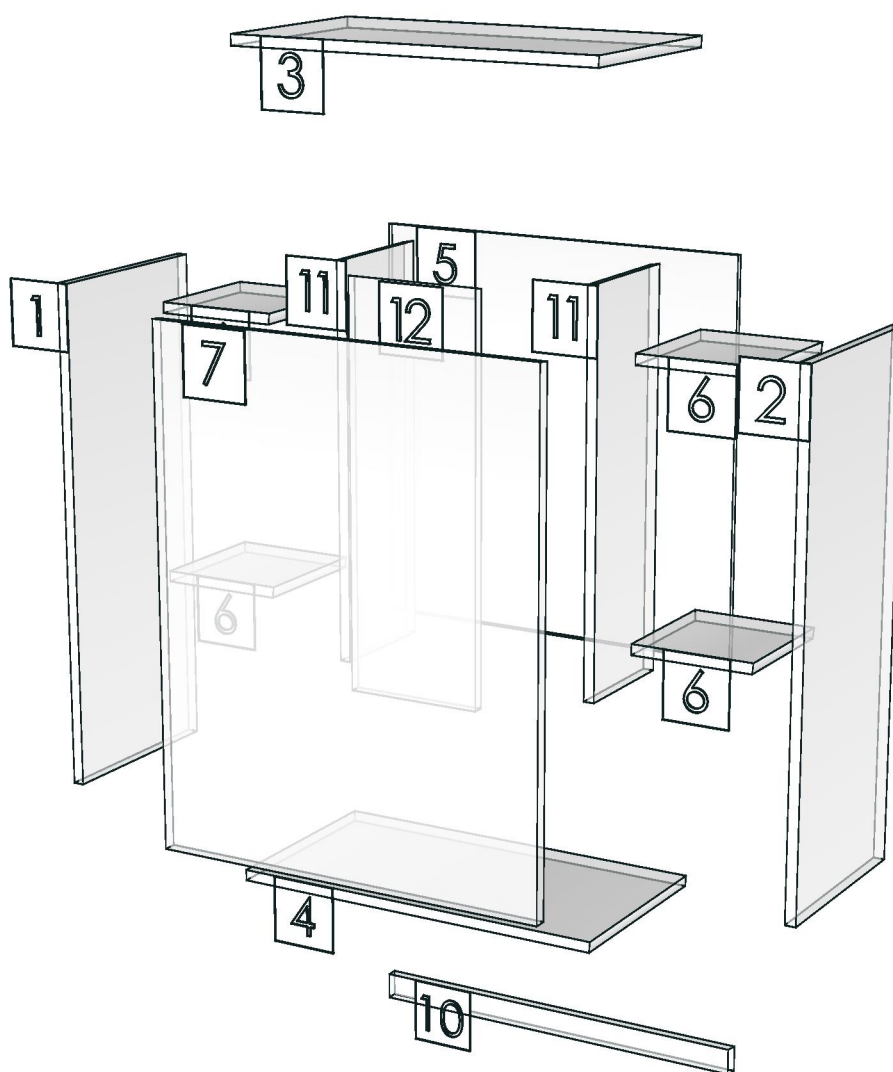
R&D REVIEW

- DWG.Customer
- Work Report
- Function
- สินค้าตรงตัวอย่าง

ผู้ทบทวน P.SAWAI
19/12/25



Model	-FLEXI_RC_DL60HL		
Creator		.BCP Name	INDEX_C3D_KITCHEN2
Reviewer		Order	I004665
Approves	P.SAWAI	Date	



Model	FLEXI_RC_DLO60		
Creator	PASATHORN	.BCP Name	INDEX_C3D_KITCHEN2
Reviewer		Order	I004682
Approves		Date	08/01/2026

FLEXI_RC_DLO60-600X300X700

Colour

02.62 FOIL 75GMS.MD216(SANSTONE)AQ-264KB(AQ PAPER)_

-

-

-

K100L-160124666

K100R-160174489

Edge

01.155 1 SANDSTONE (P7-500M1) _

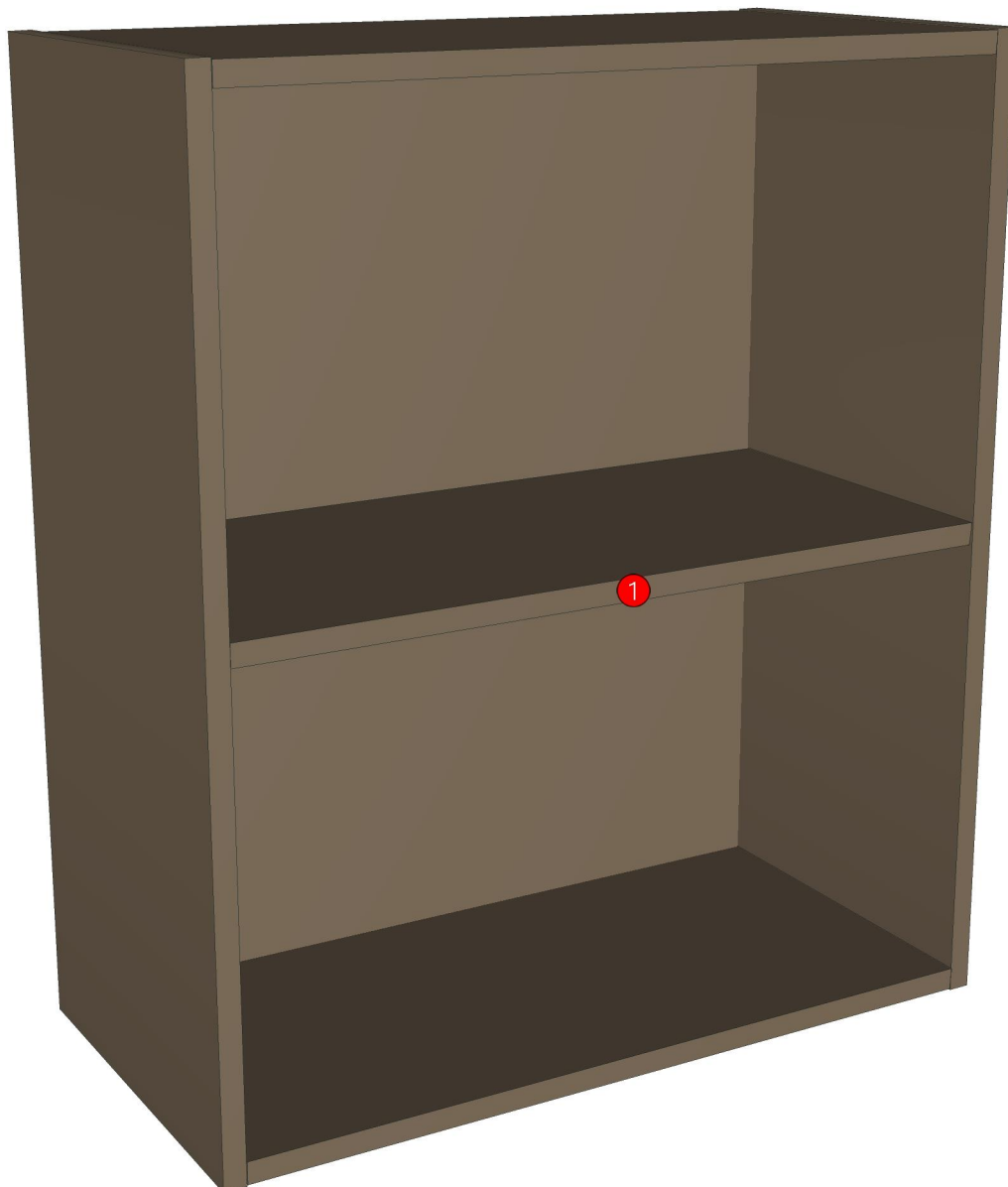
-

-

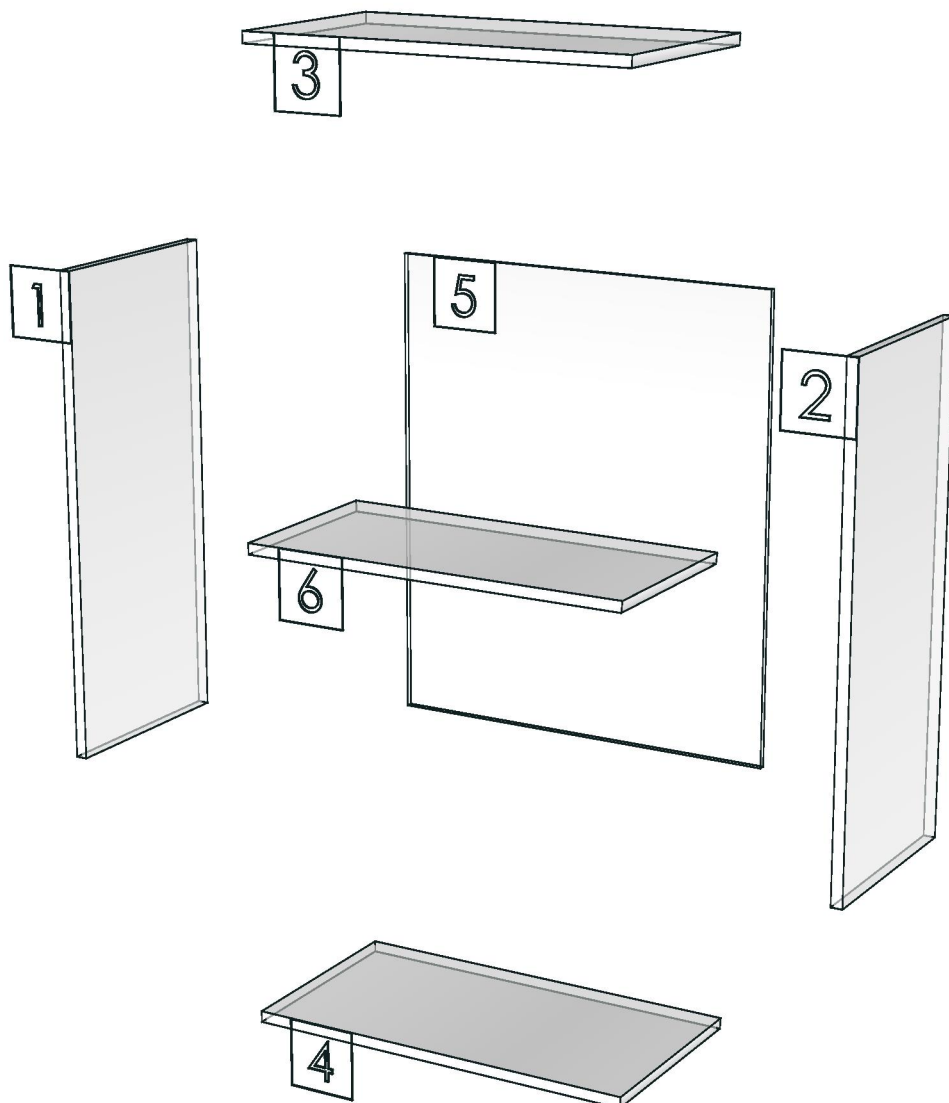
-

-

R&D REVIEW	
<input checked="" type="checkbox"/>	DWG.Customer
<input checked="" type="checkbox"/>	Work Report
<input type="checkbox"/>	Function
<input type="checkbox"/>	สินค้าตรงตัวอย่าง
ผู้ทบทวน _____	



Model	-FLEXI_RC_DLO60		
Creator		.BCP Name	INDEX_C3D_KITCHEN2
Reviewer		Order	I004682
Approves		Date	



Model	FLEXI_RC_D_PLT1200		
Creator	PASATHORN	.BCP Name	INDEX_C3D_KITCHEN2
Reviewer		Order	I004675
Approves		Date	08/01/2026

FLEXI_RC_D_PLT1200-1200X9X100

Colour

02.78 FOIL 45GMS.MD627(VALENTINO)AQ-346-15KBWG(AQ PAPER)_

-

-

-

K100L-160124666

K100R-160174489

Edge

01.261 1 MD627 _

-

-

-

-

R&D REVIEW	
<input checked="" type="checkbox"/>	DWG.Customer
<input checked="" type="checkbox"/>	Work Report
<input type="checkbox"/>	Function
<input type="checkbox"/>	สินค้าตรงตัวอย่าง
ผู้ทบทวน _____	



Model	FLEXI_RC_D_PLT1200		
Creator	PASATHORN	.BCP Name	INDEX_C3D_KITCHEN2
Reviewer		Order	I004675
Approves		Date	08/01/2026

No.	Article No.	Description	Mat	Dimension	Cutting Size	Typepology	Skin
0	FLEXI_RC_D_PLT1200	FLEXI_RC_D_PLT1200		1200x100x9			
	FLEXI_RC_D_PLT1200-01	DPLINT	PB-SP	9x100x1200	9X98X1198;L2:W2	183000 _STR=02.78 _EDG=MD627-1	2

Model	FLEXI_RC_D_PLT600		
Creator	PASATHORN	.BCP Name	INDEX_C3D_KITCHEN2
Reviewer		Order	I004674
Approves		Date	08/01/2026

FLEXI_RC_D_PLT600-600X9X100

Colour

02.78 FOIL 45GMS.MD627(VALENTINO)AQ-346-15KBWG(AQ PAPER)_

-

-

-

K100L-160124666

K100R-160174489

K101L-160174777

K101R-160174785

Edge

01.261 1 MD627 _

-

-

-

-

R&D REVIEW	
<input checked="" type="checkbox"/>	DWG.Customer
<input checked="" type="checkbox"/>	Work Report
<input type="checkbox"/>	Function
<input type="checkbox"/>	สินค้าตรงตัวอย่าง
ผู้ทบทวน _____	



Model	FLEXI_RC_D_PLT600		
Creator	PASATHORN	.BCP Name	INDEX_C3D_KITCHEN2
Reviewer		Order	I004674
Approves		Date	08/01/2026

No.	Article No.	Description	Mat	Dimension	Cutting Size	Typepology	Skin
0	FLEXI_RC_D_PLT600	FLEXI_RC_D_PLT600		600x100x9			
	FLEXI_RC_D_PLT600-01	DPLINT	PB-SP	9x100x600	9X98X599;L2:W1	183000 _STR=02.78 _EDG=MD627-1	2