

Model	IVORY_DB1034L		
Creator	PASATHORN	.BCP Name	INDEX_C3D_KITCHEN2
Reviewer		Order	I004874
Approves		Date	19/02/2026

IVORY_DB1034L-1034X570X901

Colour

05.109 ML.IVORY MD208(PEARL)_

20.36 ML MD216 (PEARL)_

-

-

-

Edge

01.475 0.6 MD208 IVORY3995 (11013M1) _

01.476 0.6 SAND STONE P7-500 M1 _

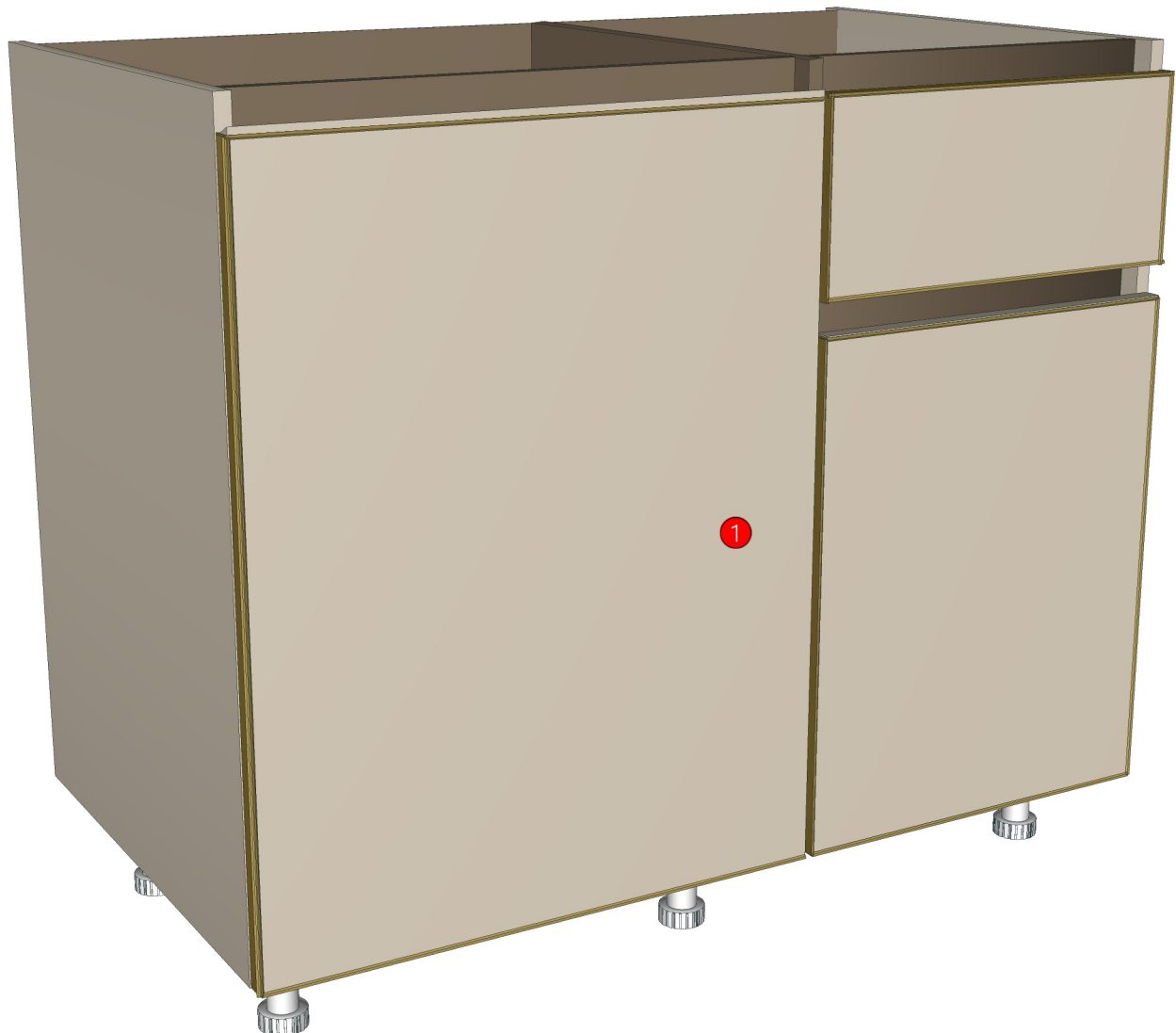
-

-

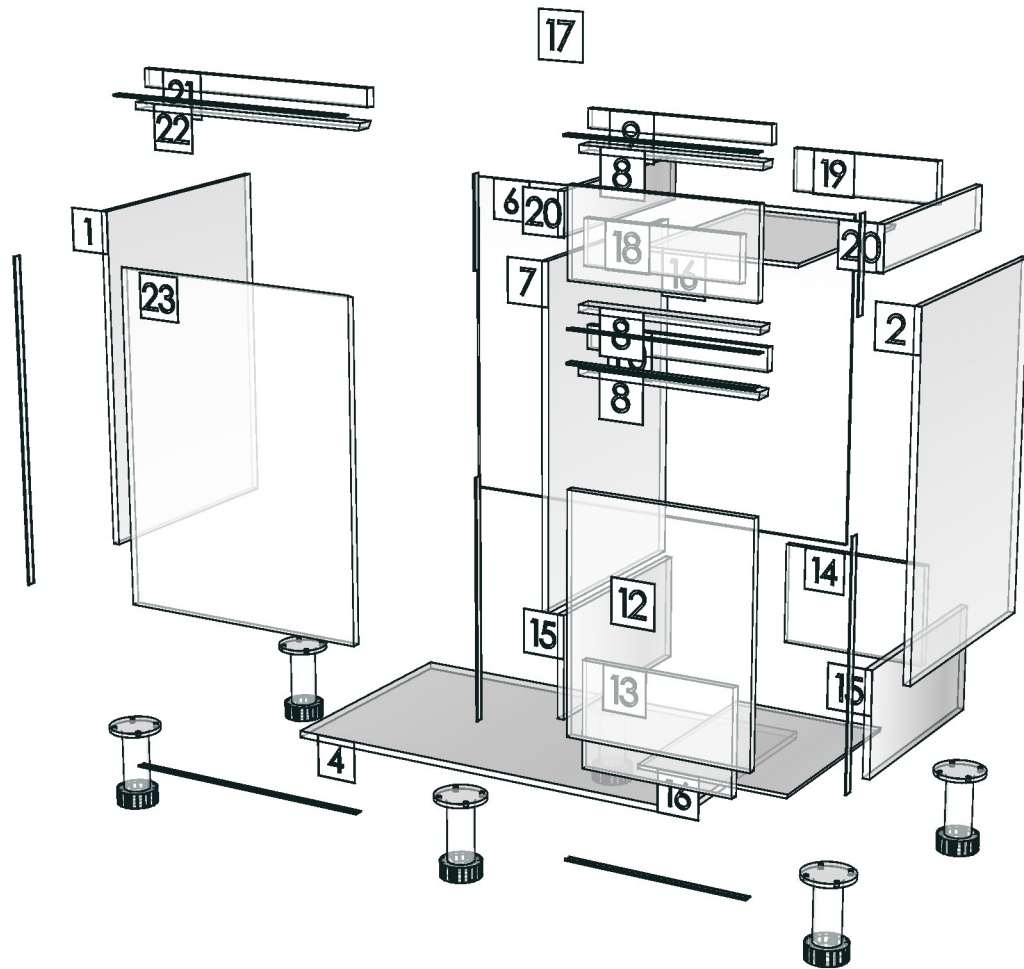
-

K120L-160174251

R&D REVIEW	
<input checked="" type="checkbox"/>	DWG.Customer
<input checked="" type="checkbox"/>	Work Report
<input type="checkbox"/>	Function
<input type="checkbox"/>	สินค้าตรงตัวอย่าง
ผู้ทบทวน _____	



Model	-IVORY_DB1034L		
Creator		.BCP Name	INDEX_C3D_KITCHEN2
Reviewer		Order	I004874
Approves		Date	



Model	IVORY_DBO716		
Creator	PASATHORN	.BCP Name	INDEX_C3D_KITCHEN2
Reviewer		Order	I003083
Approves	P.SAWAI	Date	08/05/2024

IVORY_DBO716-716X593X901

Colour

05.109 ML.IVORY MD208(PEARL)_

20.36 ML MD216 (PEARL)_

-

-

K100L-160169656

K100R-160173917

K101L-160169671

K101R-160173932

K102L-160173947

Edge

01.475 0.6 MD208 IVORY3995 (11013M1) _

01.476 0.6 SAND STONE P7-500 M1 (73.216) _

-

-

-

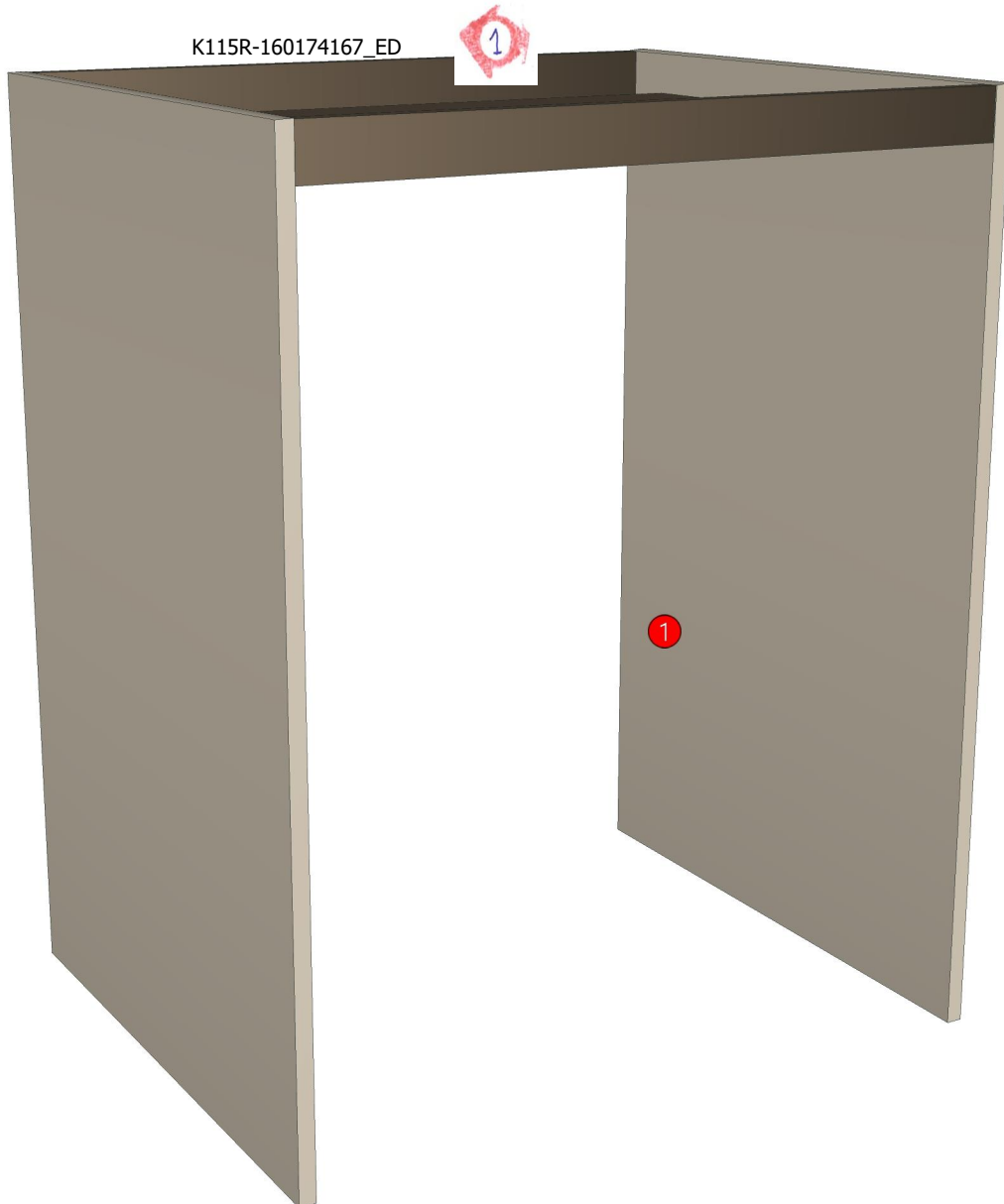
K119L-160174234_E

K120L-160174251_E

K121R-160174265_I

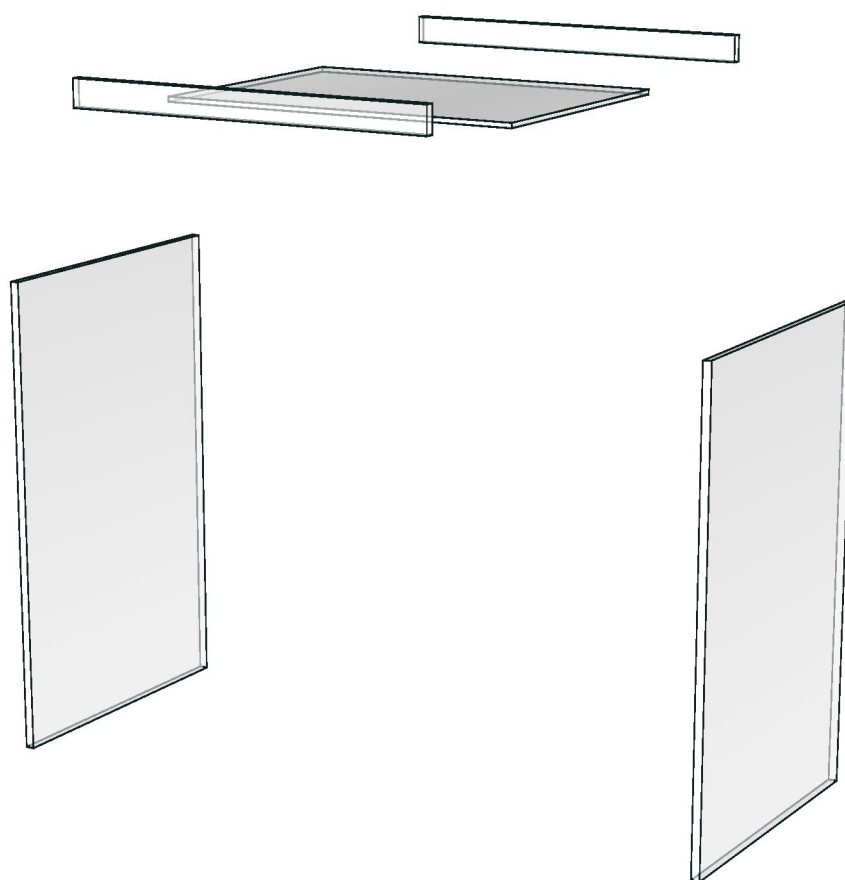
K105L-160174005

K115R-160174167_ED



R&D REVIEW	
<input checked="" type="checkbox"/>	DWG.Customer
<input checked="" type="checkbox"/>	Work Report
<input type="checkbox"/>	Function
<input type="checkbox"/>	สินค้าตรงตัวอย่าง
ผู้ทบทวน P.SAWAI	
25/8/2563	

Model	-IVORY_DBO716		
Creator		.BCP Name	INDEX_C3D_KITCHEN2
Reviewer		Order	I003083
Approves	P. SAWAI	Date	



Model	IVORY_DFB		
Creator	PASATHORN	.BCP Name	INDEX_C3D_KITCHEN2
Reviewer		Order	I004727
Approves	P.SAWAI	Date	22/01/2026

IVORY_DFB-150X19X801

Colour

05.109 ML.IVORY MD208(PEARL)_

-
-
-
-

Edge

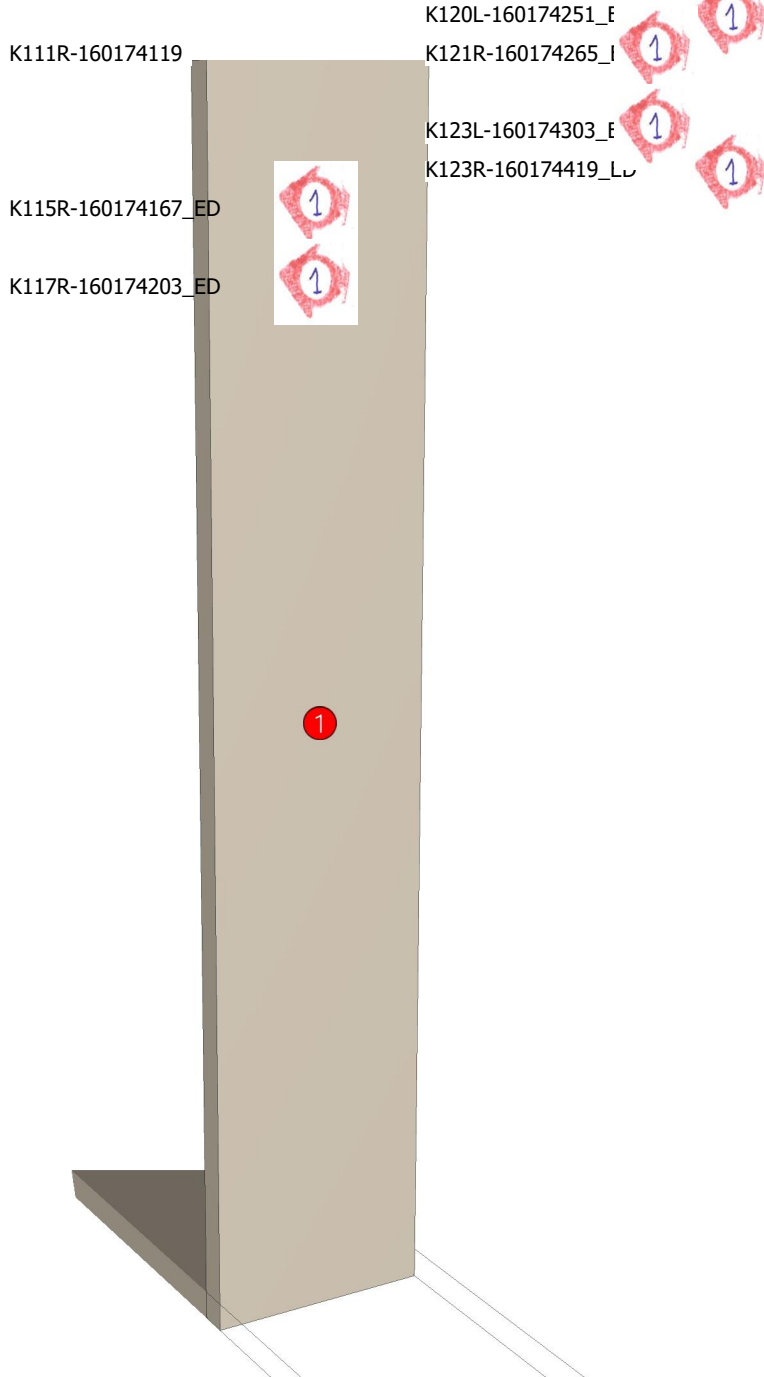
01.475 0.6 MD208 IVORY3995 (11013M1) _

-
-
-
-

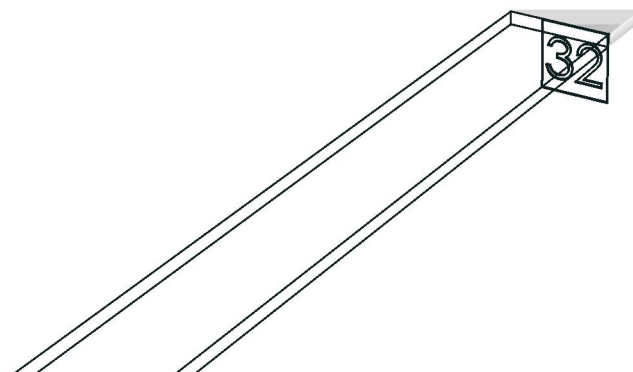
R&D REVIEW

- DWG.Customer
- Work Report
- Function
- สินค้าตรงตัวอย่าง

ผู้ทบทวน P.SAWAI
22/01/2026



Model	-IVORY_DFB		
Creator		.BCP Name	INDEX_C3D_KITCHEN2
Reviewer		Order	I004727
Approves	P-SAWAI	Date	



Model	IVORY_DFL		
Creator	PASATHORN	.BCP Name	INDEX_C3D_KITCHEN2
Reviewer		Order	I003081
Approves	<i>P.SAWAI</i>	Date	08/05/2024

IVORY_DFL-150X19X625

Colour

05.109 ML.IVORY MD208(PEARL)_

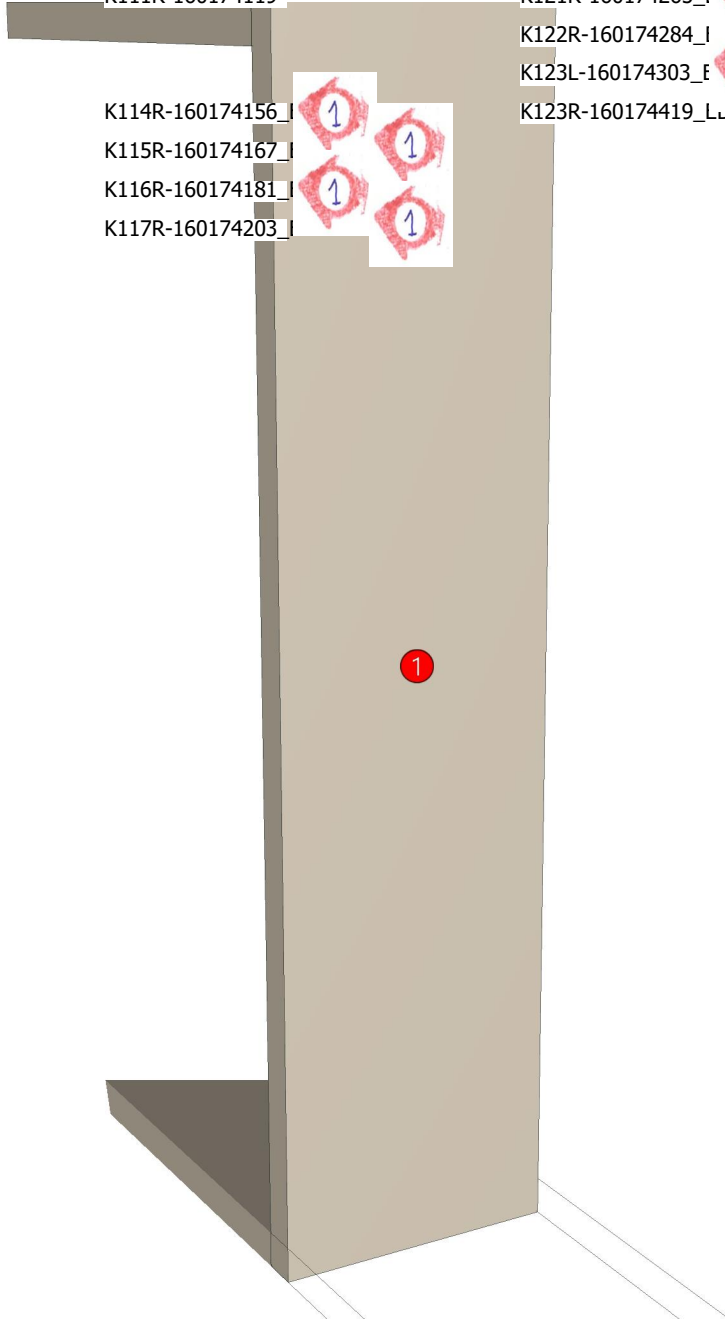
-
-
-
- K100L-160169656
- K100R-160173917
-
- K102L-160173947
- K103R-160173964
- K104R-160173983
- K105L-160174005
-
- K107R-160174032

Edge

01.475 0.6 MD208 IVORY3995 (11013M1) _

- K108L-160174046
- K109L-160174061
- K110L-160174078
- K111R-160174119
-
- K114R-160174156
- K115R-160174167
- K116R-160174181
- K117R-160174203

- K119L-160174234_E
- K120L-160174251_E
- K121R-160174265_I
- K122R-160174284_I
- K123L-160174303_E
- K123R-160174419_L



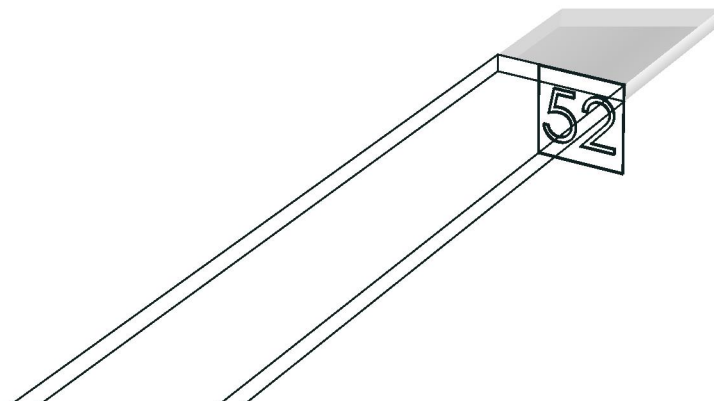
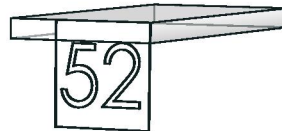
R&D REVIEW

- DWG.Customer
- Work Report
- Function
- สินค้าตรงตัวอย่าง

ผู้ทบทวน P.SAWAI

25/8/24

Model	-IVORY_DFL		
Creator		.BCP Name	INDEX_C3D_KITCHEN2
Reviewer		Order	I003081
Approves	P.SAWAI	Date	



Model	IVORY_DF_CL1900		
Creator	PASATHORN	.BCP Name	INDEX_C3D_KITCHEN2
Reviewer		Order	I003079
Approves	P.SAWAI	Date	08/05/2024

IVORY_DF_CL1900-1900X16X180

Colour

20.36 ML MD216 (PEARL)_

-

-

-

K100L-160169656

K100R-160173917

Edge

01.476 0.6 SAND STONE P7-500 M1 (73.216) _

-

-

-

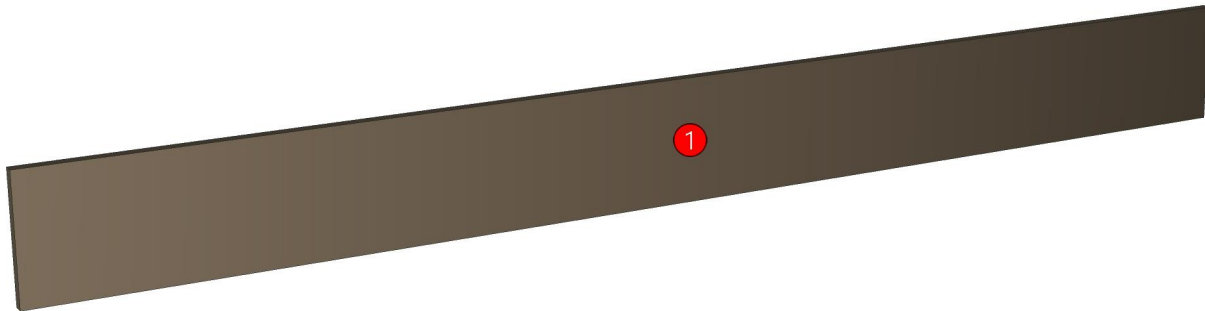
-

K120L-160174251_ED

R&D REVIEW

- DWG.Customer
- Work Report
- Function
- สินค้าตรงตัวอย่าง

ผู้ทบทวน P.SAWAI
25/8/24



Model	IVORY_DF_CL1900		
Creator	PASATHORN	.BCP Name	INDEX_C3D_KITCHEN2
Reviewer		Order	I003079
Approves	P. SAWAI	Date	08/05/2024

No.	Article No.	Description	Mat	Dimension	Cutting Size	Typepology	Skin
0	IVORY_DF_CL1900 IVORY_DF_CL1900-01	IVORY_DF_CL1900 DFCL	PB-SP	1900x180x16 16x180x1900	16X179.4X1899.4;L1:W1	183000_STR=20.36_EDG=SAND STONE P7-500 M1-.6	2

Model	IVORY_DL50LS		
Creator	PASATHORN	.BCP Name	INDEX_C3D_KITCHEN2
Reviewer		Order	I004857
Approves		Date	18/02/2026

IVORY_DL50LS-500X300X625

Colour

05.109 ML.IVORY MD208(PEARL)_

20.36 ML MD216 (PEARL)_

-

-

-

Edge

01.475 0.6 MD208 IVORY3995 (11013M1) _

01.476 0.6 SAND STONE P7-500 M1 (73.216) _

-

-

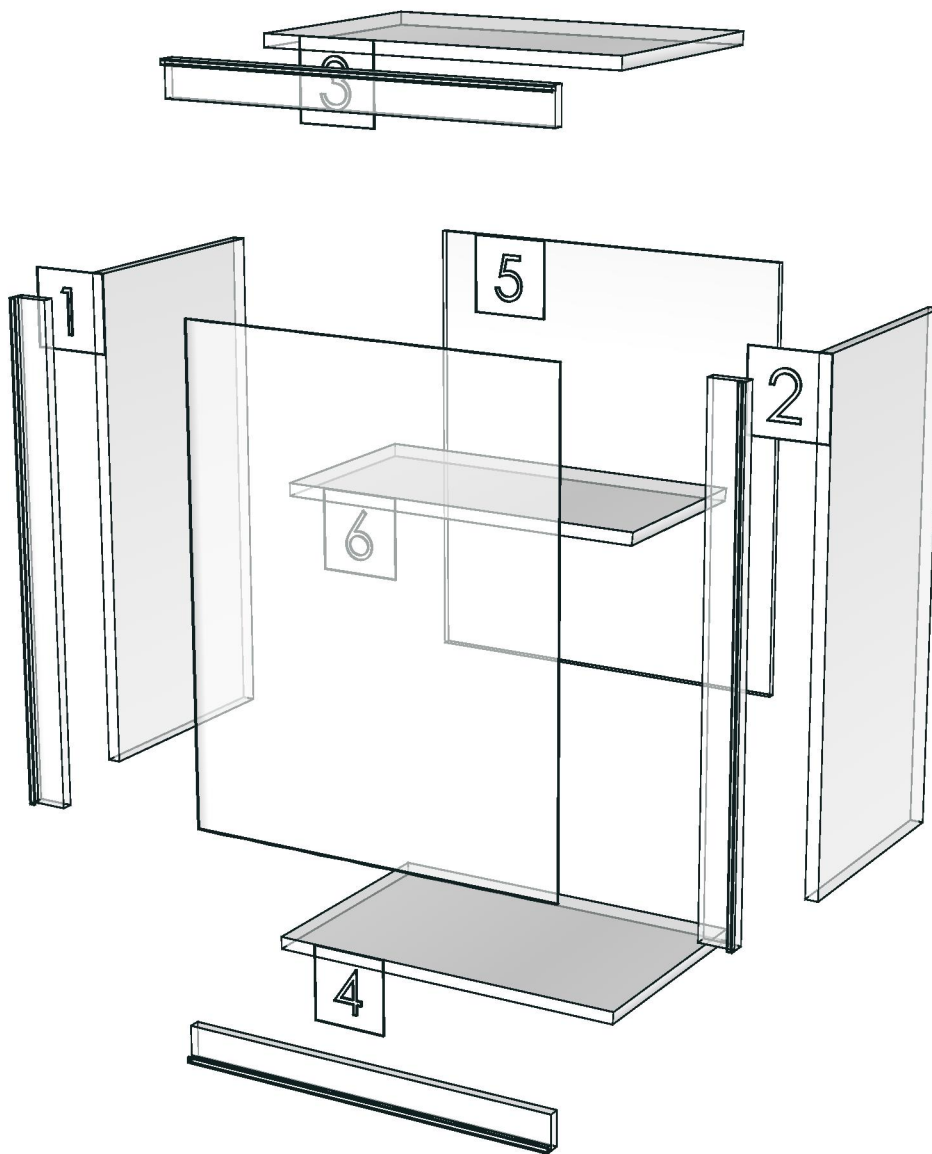
-

K120L-160174251

R&D REVIEW	
<input checked="" type="checkbox"/>	DWG.Customer
<input checked="" type="checkbox"/>	Work Report
<input type="checkbox"/>	Function
<input type="checkbox"/>	สินค้าตรงตัวอย่าง
ผู้ทบทวน _____	



Model	-IVORY_DL50LS		
Creator		.BCP Name	INDEX_C3D_KITCHEN2
Reviewer		Order	I004857
Approves		Date	



Model	IVORY_DL60HR		
Creator	PASATHORN	.BCP Name	INDEX_C3D_KITCHEN2
Reviewer		Order	I003096
Approves	<i>P.SAWAI</i>	Date	11/05/2024

IVORY_DL60HR-600X300X580

Colour

05.109 ML.IVORY MD208(PEARL)_
20.36 ML MD216 (PEARL)_

-
-
K100L-160169656
K101L-160169671

K102L-160173947
K103R-160173964

K105L-160174005
K106L-160174019

Edge

01.475 0.6 MD208 IVORY3995 (11013M1) _
01.476 0.6 SAND STONE P7-500 M1 (73.216) _

-
-
K108L-160174046
K109L-160174061
K110L-160174078

K119L-160174234
K120L-160174251

K123L-160174303

K114R-160174156

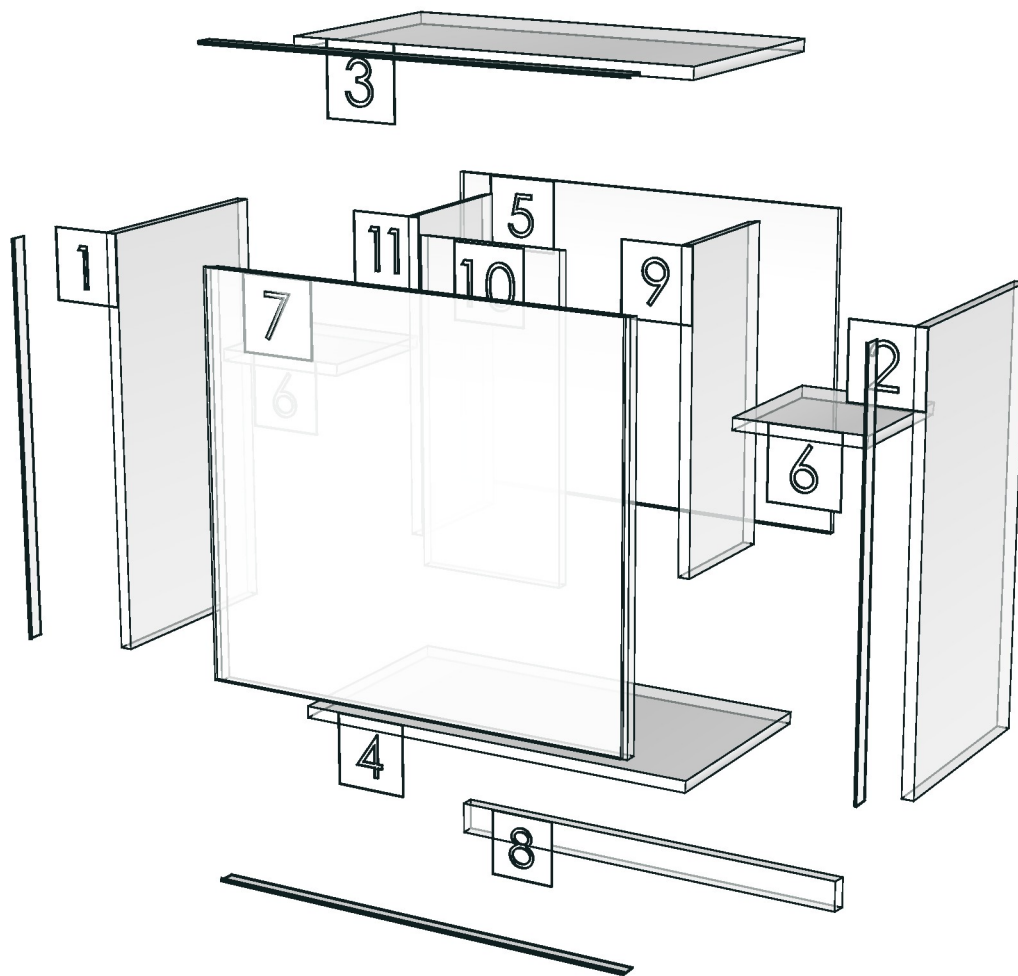
R&D REVIEW

- DWG.Customer
- Work Report
- Function
- สิ้นค้าตรงตัวอย่าง

ผู้ทบทวน P.SAWAI
11/05/2024



Model	-IVORY_DL60HR	.BCP Name	INDEX_C3D_KITCHEN2
Creator		Order	I003096
Reviewer		Date	
Approves	P.SAWAI		



Model	IVORY_DLOMV60		
Creator	PASATHORN	.BCP Name	INDEX_C3D_KITCHEN2
Reviewer		Order	I003102
Approves	<i>P.SAWAI</i>	Date	13/05/2024

IVORY_DLOMV60-600X380X625

Colour

05.109 ML.IVORY MD208(PEARL)_
20.36 ML MD216 (PEARL)_
05.01 ML WHITE VM1012 18/18_

-
K100L-160169656
K100R-160173917
K101L-160169671
K101R-160173932
K102L-160173947
K103R-160173964
K104R-160173983
K105L-160174005

K107R-160174032

Edge

01.475 0.6 MD208 IVORY3995 (11013M1) _
01.476 0.6 SAND STONE P7-500 M1 (73.216) _

-
-
-

K109L-160174061
K110L-160174078
K111R-160174119

K115R-160174167_F

K116R-160174181

K117R-160174203

K120L-160174251_F
K121R-160174265_I
K122R-160174284_I
K123L-160174303_F
K123R-160174419_L

R&D REVIEW

DWG.Customer

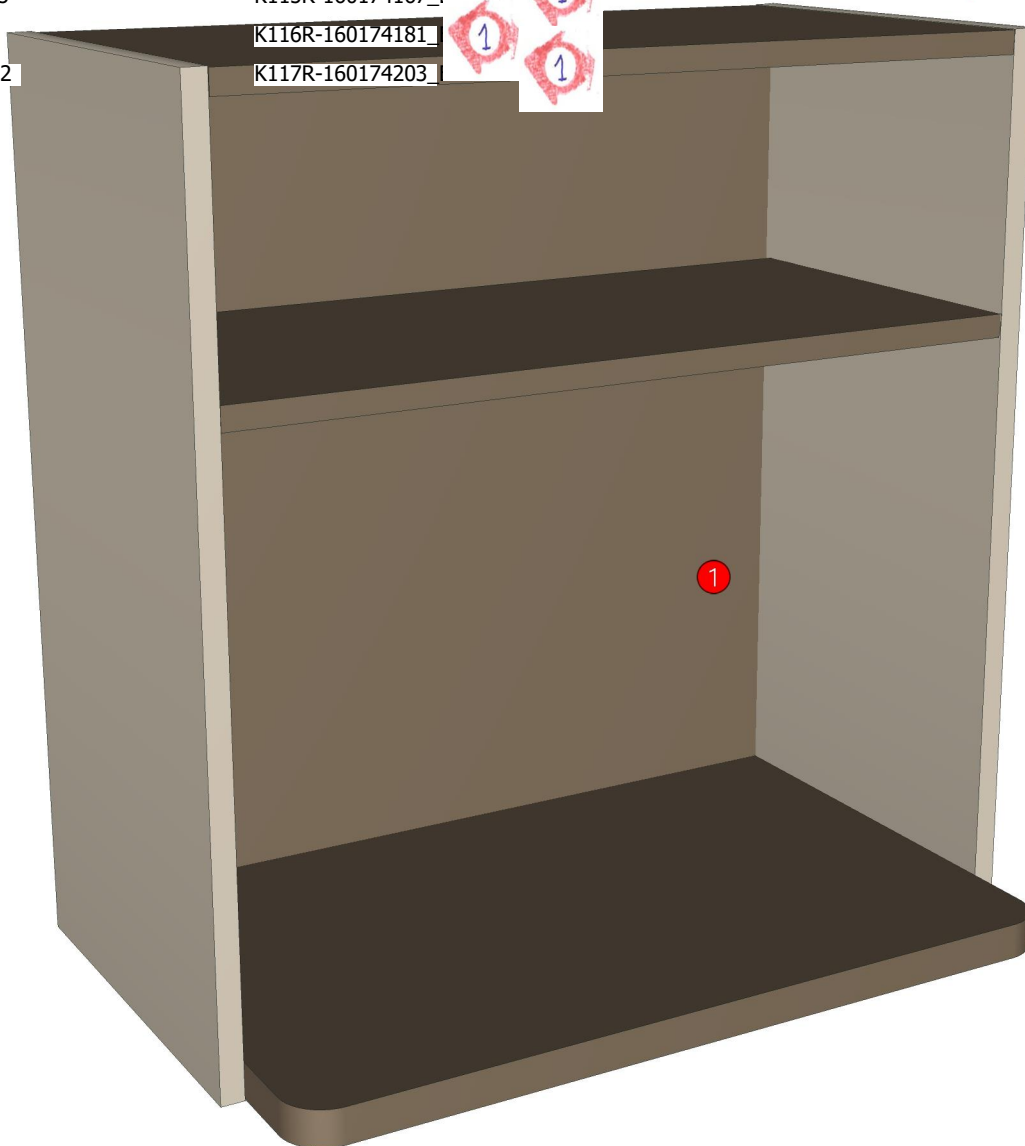
Work Report

Function

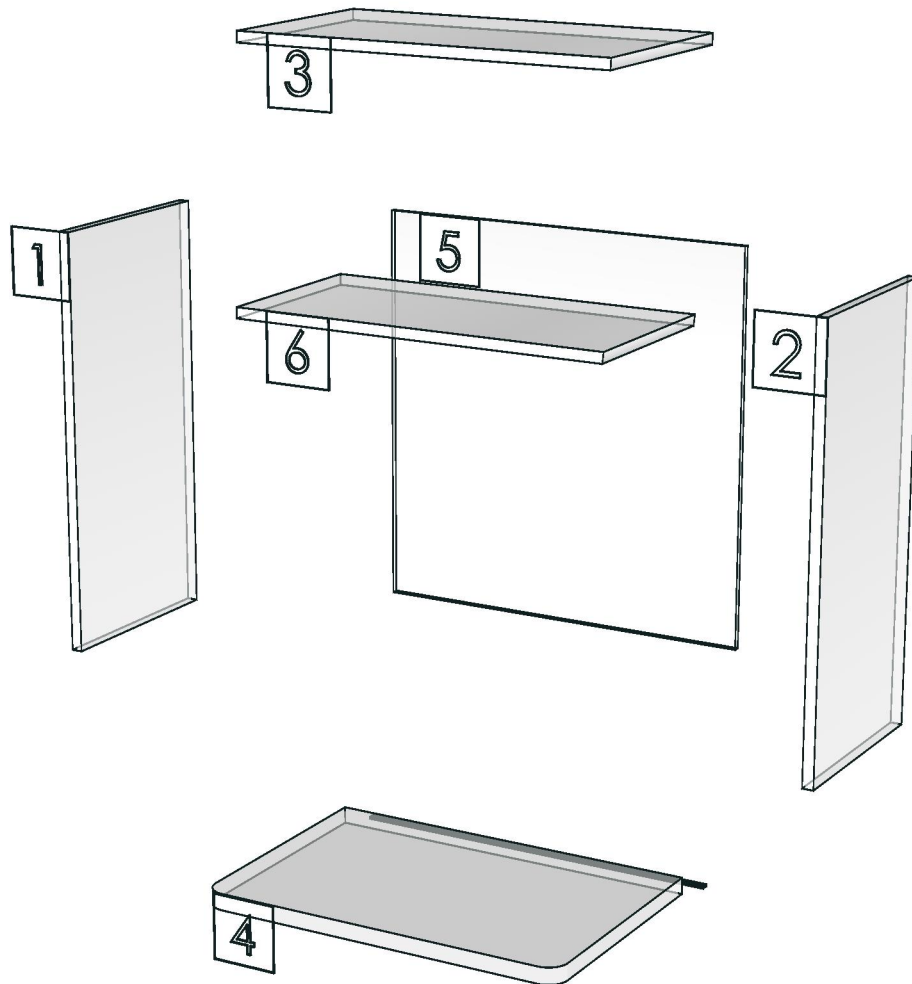
สินค้าตรงตัวอย่าง

ผู้ทบทวน *P.SAWAI*

25/05/2024



Model	-IVORY_DLOMV60		
Creator		.BCP Name	INDEX_C3D_KITCHEN2
Reviewer		Order	I003102
Approves	P.SAWAI	Date	



Model	IVORY_DUT1800		
Creator	PASATHORN	.BCP Name	INDEX_C3D_KITCHEN2
Reviewer		Order	I003070
Approves	P.SAWAI	Date	07/05/2024

IVORY_DUT1800-1800X60X12

Colour

05.01 ML WHITE VM1012 18/18_

-

-

-

K100L-160169656

K108L-160174046

K100R-160173917

K101L-160169671

K120L-160174251_ED

K101R-160173932

K122R-160174284_ED

K103R-160173964

Edge

01.24 0.6 WHITE _

-

-

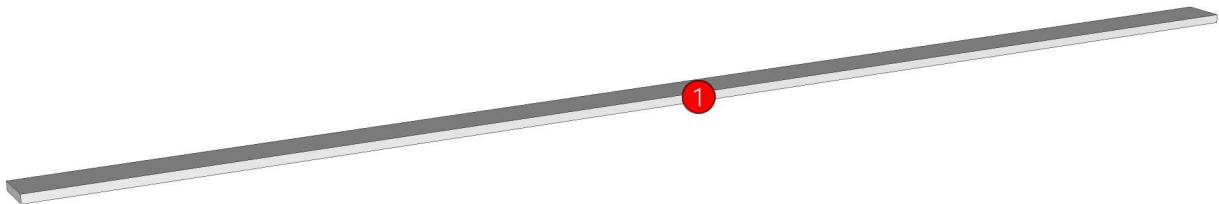
-

-

R&D REVIEW

- DWG.Customer
- Work Report
- Function
- สินค้าตรงตัวอย่าง

ผู้ทบทวน P.SAWAI
25/8/2563



Model	IVORY_DUT1800		
Creator	PASATHORN	.BCP Name	INDEX_C3D_KITCHEN2
Reviewer		Order	I003070
Approves	P. SAWAI	Date	07/05/2024

No.	Article No.	Description	Mat	Dimension	Cutting Size	Typepology	Skin
0	IVORY_DUT1800 IVORY_DUT1800-01	IVORY_DUT1800 DUT	PB-SP	1800x12x60 12x60x1800	12X58.8X1800;L2:W0	182000_STR=05.01_EDG=WHITE-.6	2

Model	IVORY_DUT500		
Creator	PASATHORN	.BCP Name	INDEX_C3D_KITCHEN2
Reviewer		Order	I003067
Approves	P.SAWAI	Date	07/05/2024

IVORY_DUT500-500X60X12

Colour

05.01 ML WHITE VM1012 18/18_

-
-
-
- K100L-160169656
- K100R-160173917
- K101L-160169671
- K101R-160173932
- K102L-160173947
- K103R-160173964
- K104R-160173983
- K105L-160174005
- K106L-160174019
- K107R-160174032

Edge

01.24 0.6 WHITE _

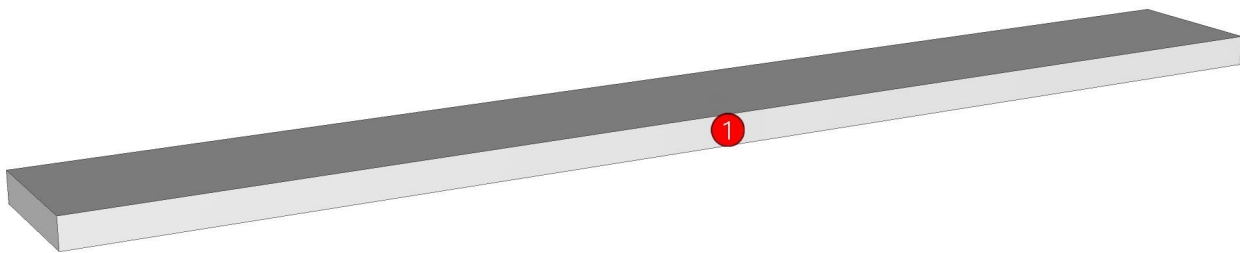
-
-
-
-
- K108L-160174046
- K109L-160174061
- K110L-160174078
- K111R-160174119
- K112R-160174137_↓
- K113R-160174146_↓
- K114R-160174156_↓
- K115R-160174167_↓
- K116R-160174181_↓
- K117R-160174203_↓
- K118R-160174224_↓
- K119L-160174234_E
- K120L-160174251_E
- K121R-160174265_↓
- K122R-160174284_↓
- K123L-160174303_E
- K123R-160174419_L

R&D REVIEW

- DWG.Customer
- Work Report
- Function
- สินค้าตรงตัวอย่าง

ผู้ทบทวน P.SAWAI

25/8/2563



Model	IVORY_DUT500		
Creator	PASATHORN	.BCP Name	INDEX_C3D_KITCHEN2
Reviewer		Order	I003067
Approves	P. SAWAI	Date	07/05/2024

No.	Article No.	Description	Mat	Dimension	Cutting Size	Typepology	Skin
0	IVORY_DUT500 IVORY_DUT500-01	IVORY_DUT500 DUT-SP	PB-SP	500x12x60 12x60x500	12X58.8X500;L2:W0	182000_STR=05.01_EDG=WHITE-.6	2

Model	IVORY_D_PLT1134		
Creator	PASATHORN	.BCP Name	INDEX_C3D_KITCHEN2
Reviewer		Order	I004801
Approves		Date	12/02/2026

IVORY_D_PLT1134-1134X9X100

Colour

20.36 ML MD216 (PEARL)_

-
-
-
-

Edge

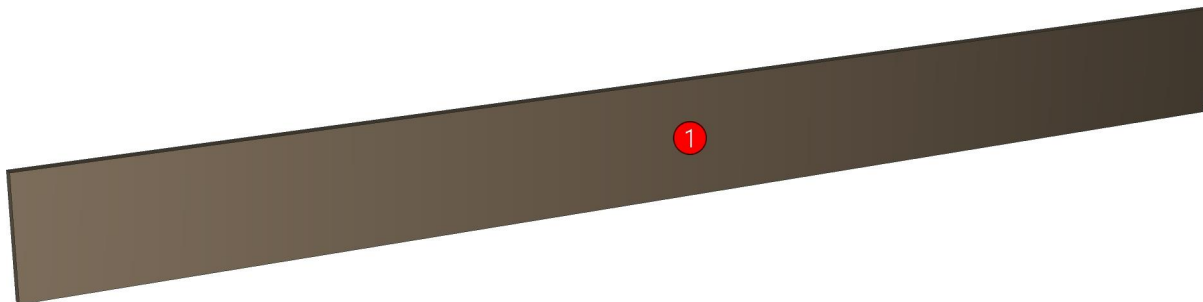
01.476 0.6 SAND STONE P7-500 M1 (73.216) _

-
-
-
-

K120L-160174251

K115R-160174167

R&D REVIEW	
<input checked="" type="checkbox"/>	DWG.Customer
<input checked="" type="checkbox"/>	Work Report
<input type="checkbox"/>	Function
<input type="checkbox"/>	สินค้าตรงตัวอย่าง
ผู้ทบทวน _____	



Model	IVORY_D_PLT1134		
Creator	PASATHORN	.BCP Name	INDEX_C3D_KITCHEN2
Reviewer		Order	I004801
Approves		Date	12/02/2026

No.	Article No.	Description	Mat	Dimension	Cutting Size	Typepology	Skin
0	IVORY_D_PLT1134	IVORY_D_PLT1134		1134x100x9			
	IVORY_D_PLT1134-01	D_PLINT-SP	PB-SP	9x100x1134	9X98.8X1132.8;L2:W2	183000_STR=20.36_EDG=SAND STONE P7-500 M1-.6	2

Model	IVORY_LED467L		
Creator	PASATHORN	.BCP Name	INDEX_C3D_KITCHEN2
Reviewer		Order	I004839
Approves		Date	18/02/2026

IVORY_LED467L-467X299X49

Colour

20.36 ML MD216 (PEARL)_

-
-
-
-

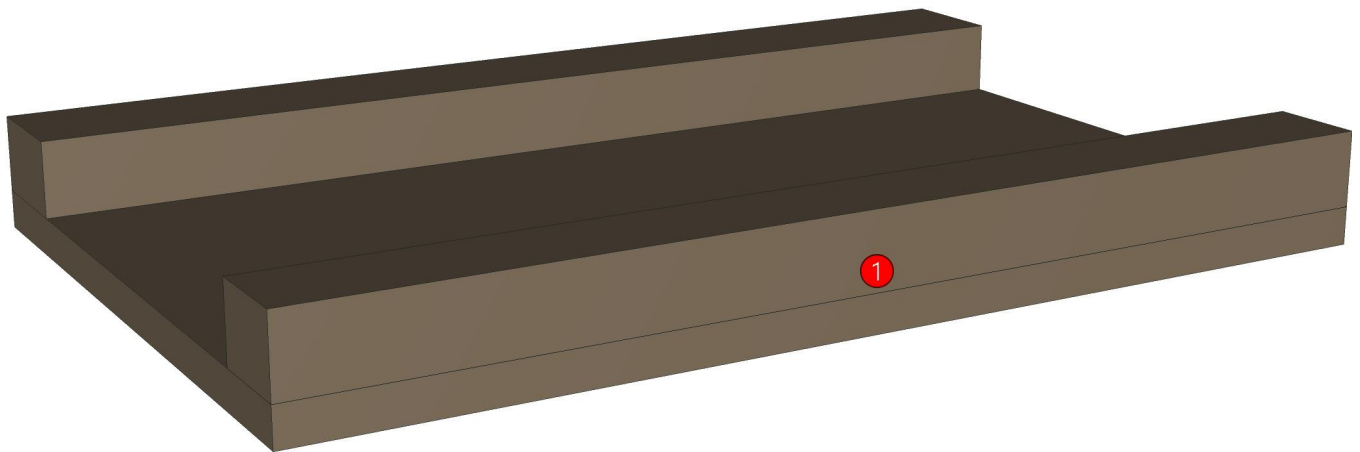
Edge

01.476 0.6 SAND STONE P7-500 M1 (73.216) _

-
-
-
-

K120L-160174251

R&D REVIEW	
<input checked="" type="checkbox"/>	DWG.Customer
<input checked="" type="checkbox"/>	Work Report
<input type="checkbox"/>	Function
<input type="checkbox"/>	สินค้าตรงตัวอย่าง
ผู้ทบทวน _____	



Model	IVORY_LED467L		
Creator	PASATHORN	.BCP Name	INDEX_C3D_KITCHEN2
Reviewer		Order	I004839
Approves		Date	18/02/2026

No.	Article No.	Description	Mat	Dimension	Cutting Size	Typepology	Skin
0	IVORY_LED467L	IVORY_LED467L		467x49x299			
	IVORY_LED467L-01	LEDBOX-SP	PB-SP	48x299x467	L2:W0	50000_STR=20.36_EDG=SAND STONE P7-500 M1-.6	2
	IVORY_LED467L-01A	FLOOR BOX	PB-SP	16x299x467	16X299X467;NO EDGE	182000_STR=20.36_EDG=-	2
	IVORY_LED467L-01B	Front SUPPORT BOX	PB-ST	32x40x467	32X40X467;NO EDGE	182001_STR=20.36_EDG=-	2
	IVORY_LED467L-01C	BACK SUPPORT BOX	PB-ST	32x50x467	32X50X467;NO EDGE	182002_STR=20.36_EDG=-	2